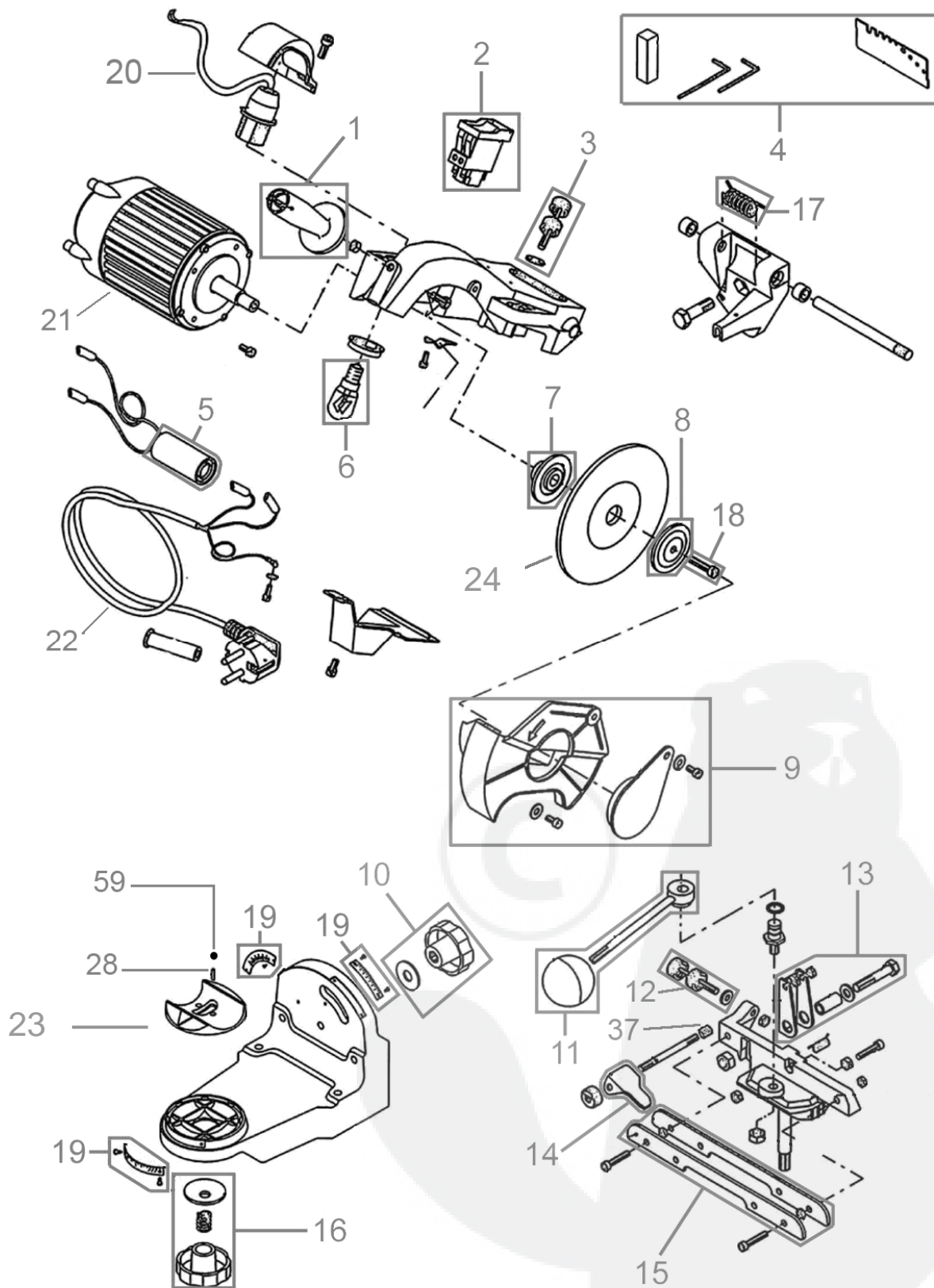


11.Assembly Drawing



**12.List of Spare Parts**

Pos.- No.	Carlton P/N	Description
1	7800-01	Swing Arm (Handle)
3	7800-03	Limiter Screw Set
4	7800-04	Accessories kit
7	7800-07	Flange
8	7800-08	Flange
9	7800-09	Disk guard assembly
10	7800-10	Knob set
11	7800-11	Chain clamping lever set
12	7800-12	Chain stop lever screw set
13	7800-13	Chain stop lever
14	7800-14	Chain stop
15	7800-15	Chain clamping set
16	7800-16	Swing support knob set
17	7800-17	Spring
18	7800-18	Disk screw
19	7800-19	Scale
23	7800-23	Swing support
28	7800-28	Small Thrust Spring
37	7800-37	Limiting Spring
59	7800-59	Cone (Ball Bearing)

Pos.- No.	Carlton P/N	Description
<b>78003 PROFI GRINDERS 230 volt</b>		
2	78003-02	ON/OFF-Switch
5	78003-05	Capacitor
6	78003-06	Lamp 230V
20	78003-20	Light Socket 230V
21	78003-21	Motor 230V
22	78003-22	Cord 230V

Pos.- No.	Carlton P/N	Description
<b>78004 PROFI GRINDERS 110 volt</b>		
2	78004-02	ON/OFF-Switch
5	78004-05	Capacitor
6	78004-06	Lamp 110V
20	78004-20	Light Socket 110V
21	78004-21	Motor 110V
22	78004-22	Cord 110V

Pos.- No.	Carlton P/N	Description
24	78100	Disk - 145mm x 3.2mm x 22.3mm
24	78101	Disk - 145mm x 4.7mm x 22.3mm
24	78102	Disk - 145mm x 6mm x 22.3mm