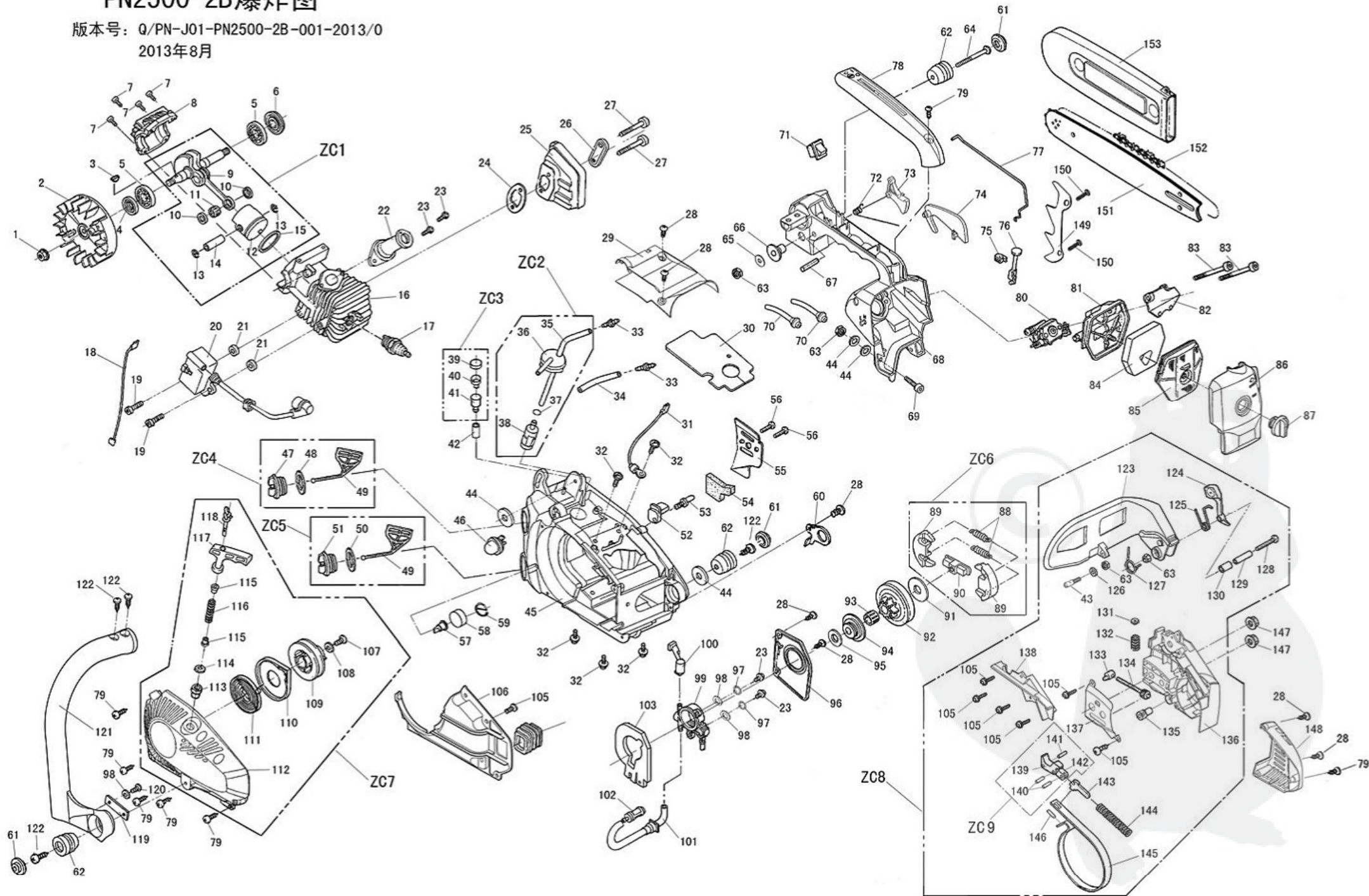


PN2500-2B爆炸图

版本号: Q/PN-J01-PN2500-2B-001-2013/0
2013年8月



PN2500-2B SPARE PARTS PACKING LIST

Exploded No.	STANDARD NO.	ENGLISH NAME	pc/unit
1	PN2500-2B-1	NUT M8x1	1
2	PN2500-2B-2	FLYWHEEL-ASSY	1
3	PN2500-2B-3	WOODRUFF KEY3x10	1
4	PN2500-2B-4	SMALL SEAL OIL 12x22x5	1
5	PN2500-2B-5	6001 BEARING-BALL	2
6	PN2500-2B-6	BIG SEAL OIL 12x28x6	1
7	PN2500-2B-7	SCREW M5x20	4
8	PN2500-2B-8	SUPPORT-CRANKCASE BEARING	1
ZC1	PN2500-2B-ZC1	CRANK SHAFT AND PISTON ASSY	1
9	PN2500-2B-9	CRANK SHAFT ASSY	1
10	PN2500-2B-10	NEEDLE BEARING SNAP	2
11	PN2500-2B-11	NEEDLE BEARING	1
12	PN2500-2B-12	PISTON	1
13	PN2500-2B-13	RING-SNAP	2
14	PN2500-2B-14	PISTON-PIN	1
15	PN2500-2B-15	PISTON-RING	1
16	PN2500-2B-16	CYLINDER	1
17	PN2500-2B-17	SPARK PLUG	1
18	PN2500-2B-18	WIRE-STOP	1
19	PN2500-2B-19	SCREW M4x20	2
20	PN2500-2B-20	ELECTRON IGNITION ASSY	1
21	PN2500-2B-21	ELECTRON IGNITION PLATE	2
22	PN2500-2B-22	BOOT INTAKE	1
23	PN2500-2B-23	SCREW M4x14	4
24	PN2500-2B-24	WASHER MUFFLER	1
25	PN2500-2B-25	MUFFLER ASSY WITH CATALYST	1
26	PN2500-2B-26	COVER-MUFFLER	1
27	PN2500-2B-27	SCREW M5x40	2
28	PN2500-2B-28	SCREW ST4. 2x13	7
29	PN2500-2B-29	COVER-TOP	1
30	PN2500-2B-30	PAPER GASKET	1
31	PN2500-2B-31	WIRE-GROUND	1
32	PN2500-2B-32	SCREW M5x16	5
33	PN2500-2B-33	HOSE ADAPTER	2

PN2500-2B SPARE PARTS PACKING LIST

Exploded No.	STANDARD NO.	ENGLISH NAME	pc/unit
34	PN2500-2B-34	OIL RETURN PIPE	1
ZC2	PN2500-2B-ZC2	FUEL FILTER ASSY	1
35	PN2500-2B-35	FUEL HOSE	1
36	PN2500-2B-36	SUPPORT-FUEL HOSE	1
37	PN2500-2B-37	CONNECT PIPE CLIP	1
38	PN2500-2B-38	FUEL FILTER	1
ZC3	PN2500-2B-ZC3	BALANCE ASSY	1
39	PN2500-2B-39	COVER-BALANCE	1
40	PN2500-2B-40	BALANCE	1
41	PN2500-2B-41	COVER-BALANCE	1
42	PN2500-2B-42	CONNECT BALANCE	1
43	PN2500-2B-43	PIN	1
44	PN2500-2B-44	WASHER	4
45	PN2500-2B-45	FUEL TANK	1
46	PN2500-2B-46	OIL VACULOT	1
ZC4	PN2500-2B-ZC4	FUEL CAP ASSY	1
47	PN2500-2B-47	FUEL CAP	1
48	PN2500-2B-48	WASHER-FUEL CAP	1
49	PN2500-2B-49	HOLDING-OIL CAP	1
ZC5	PN2500-2B-ZC5	OIL CAP ASSY	1
49	PN2500-2B-49	HOLDING-OIL CAP	1
50	PN2500-2B-50	WASHER-OIL CAP	1
51	PN2500-2B-51	OIL CAP	1
52	PN2500-2B-52	CHAIN CATCHER	1
53	PN2500-2B-53	SCREW	1
54	PN2500-2B-54	SPONGE -PLATE BAR	1
55	PN2500-2B-55	PLATE-BAR	1
56	PN2500-2B-56	SCREW ST4. 2×11	2
57	PN2500-2B-57	BREATH NIPPLE	1
58	PN2500-2B-58	FILTER VENT	1
59	PN2500-2B-59	SPRING-BREATH NIPPLE	1
60	PN2500-2B-60	POTHOOK	1
61	PN2500-2B-61	PLUG-PAD	3
62	PN2500-2B-62	PAD-RUBBER	3

PN2500-2B SPARE PARTS PACKING LIST

Exploded No.	STANDARD NO.	ENGLISH NAME	pc/unit
63	PN2500-2B-63	NUT M5	4
64	PN2500-2B-64	SCREW M5×45	1
65	PN2500-2B-65	WASHER	2
66	PN2500-2B-66	COVER CAP	1
67	PN2500-2B-67	TRIGGER PIN 5×26	1
68	PN2500-2B-68	HANDLE	1
69	PN2500-2B-69	SCREW M5×16	1
70	PN2500-2B-70	PIPE-CARBURATOR	2
71	PN2500-2B-71	SWITCH STOP	1
72	PN2500-2B-72	SPRING-TRIGGER	1
73	PN2500-2B-73	TRIGGER	1
74	PN2500-2B-74	LEVER-TRIGGER	1
75	PN2500-2B-75	GROMMET-CHOKE KNOB	1
76	PN2500-2B-76	CHOKE KNOB	1
77	PN2500-2B-77	ROD THROTTLE	1
78	PN2500-2B-78	COVER-REAR HANDLE	1
79	PN2500-2B-79	SCRW ST4.2×16	7
80	PN2500-2B-80	CHINESE CARBURATOR ASSY	1
81	PN2500-2B-81	SUPPORT-AIR FILTER	1
82	PN2500-2B-82	COVER-AIR FILTER	1
83	PN2500-2B-83	SCREW M5×45	2
84	PN2500-2B-84	SPONGE-AIR FILTER	1
85	PN2500-2B-85	COVER-AIR FILTER SPONGE	1
86	PN2500-2B-86	COVER-AIR FILTER	1
87	PN2500-2B-87	KNOB-AIR FILTER	1
ZC6	PN2500-2B-ZC6	CLUTCH ASSY	1
88	PN2500-2B-88	SPRING-CLUTCH	2
89	PN2500-2B-89	CLUTCH SUPPORT	2
90	PN2500-2B-90	CLUTCH RETAINER	1
91	PN2500-2B-91	WASHER-CLUTCH	1
92	PN2500-2B-92	DRUM-CLUTCH	1
93	PN2500-2B-93	BEARING-NEEDLE CLUTCH	1
94	PN2500-2B-94	WORM	1
95	PN2500-2B-95	WASHER-OIL PUMP	1

PN2500-2B SPARE PARTS PACKING LIST

Exploded No.	STANDARD NO.	ENGLISH NAME	pc/unit
96	PN2500-2B-96	COVER-OIL PUMP	1
97	PN2500-2B-97	WASHER-SPRING	2
98	PN2500-2B-98	WASHER	3
99	PN2500-2B-99	OIL PUMP ASSY	1
100	PN2500-2B-100	FUEL INJECTION NOZZLE	1
101	PN2500-2B-101	OIL INLET HOSE	1
102	PN2500-2B-102	OIL FILTER	1
103	PN2500-2B-103	SPONGE-DUSTPROOF	1
104	PN2500-2B-104	SUPPORT-INTAKE AIR	1
105	PN2500-2B-105	SCREW ST4.2×8.5	7
106	PN2500-2B-106	BAFFLE-FAN	1
ZC7	PN2500-2B-ZC7	PULLEY-STARTER ASSY	1
107	PN2500-2B-107	SCREW ST4.8×16	1
108	PN2500-2B-108	WASHER φ5×15×1.5	1
109	PN2500-2B-109	PULLEY STARTER	1
110	PN2500-2B-110	COVER-SPRING	1
111	PN2500-2B-111	SPRING-STARTER	1
112	PN2500-2B-112	HOUSING-STARTER	1
113	PN2500-2B-113	ROPE JACKET	1
114	PN2500-2B-114	WASHER-STARTER HANDLE	1
115	PN2500-2B-115	WASHER	2
116	PN2500-2B-116	SPRING-KICK BACK	1
117	PN2500-2B-117	STARTER HANDLE	1
118	PN2500-2B-118	ROPE-STARTER	1
119	PN2500-2B-119	PAD RUBBER SUPPOTR	1
120	PN2500-2B-120	SCREW ST3.5×10	1
121	PN2500-2B-121	HANDLE ASST	1
122	PN2500-2B-122	SCREW ST4.8×16	4
ZC8	PN2500-2B-ZC8	BRAKE ASSY	1
123	PN2500-2B-123	COVER HEAD	1
124	PN2500-2B-124	LEVERAGE-BRAKE	1
125	PN2500-2B-125	SPRING-LEVERAGE	1
126	PN2500-2B-126	WASHER-SPRING	1
127	PN2500-2B-127	SPRING-BRAKE	1

PN2500-2B SPARE PARTS PACKING LIST

Exploded No.	STANDARD NO.	ENGLISH NAME	pc/unit
128	PN2500-2B-128	SCREW M5×30	1
129	PN2500-2B-129	BUSHING	1
130	PN2500-2B-130	PIN-LEVERAGE	1
131	PN2500-2B-131	SUPPORT SPRING BRAKE	1
132	PN2500-2B-132	SPRING-LEVERAGE	1
133	PN2500-2B-133	PIN-CHAINADJUSTING	1
134	PN2500-2B-134	SPROCKET-CHAINADJUSTING	1
135	PN2500-2B-135	SCREW CHAINADJUSTING	1
136	PN2500-2B-136	HOUSING BRAKE	1
137	PN2500-2B-137	COVER CHAIN ADJUSTING	1
138	PN2500-2B-138	COVER SPRING BRAKE	1
ZC9	PN2500-2B-ZC9	MAIN AND AUXILIARY LEVER ASSY	1
139	PN2500-2B-139	MAIN LEVER	1
140	PN2500-2B-140	SHORT PIN	2
141	PN2500-2B-141	LONG PIN	1
142	PN2500-2B-142	AUXILIARY LEVER	1
143	PN2500-2B-143	PLATE-BRAKE	1
144	PN2500-2B-144	SPRING-BRAKE	1
145	PN2500-2B-145	BAND BRAKE	1
146	PN2500-2B-146	PIN	1
147	PN2500-2B-147	NUT-BAR	2
148	PN2500-2B-148	HOUSING-MUFFLER	1
149	PN2500-2B-149	SPIKE	1
150	PN2500-2B-150	SCREW ST4. 8×14	2
151	PN2500-2B-151	10" GUIDE BAR	1
152	PN2500-2B-152	10" CHAIN	1