

Fig. 1 POWER UNIT

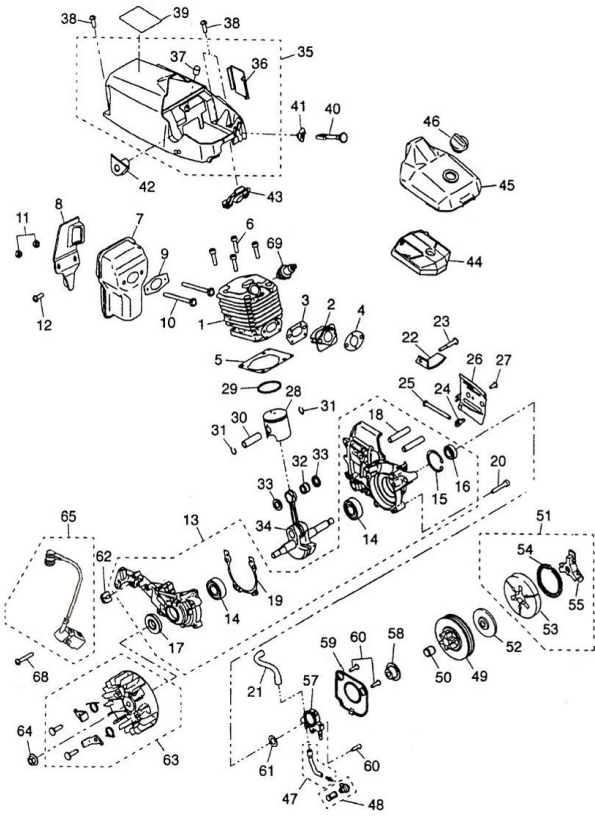
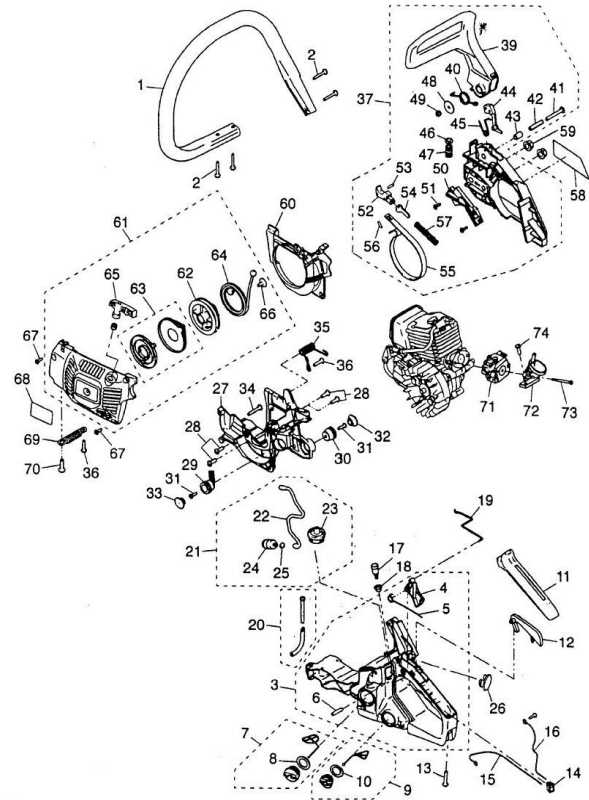
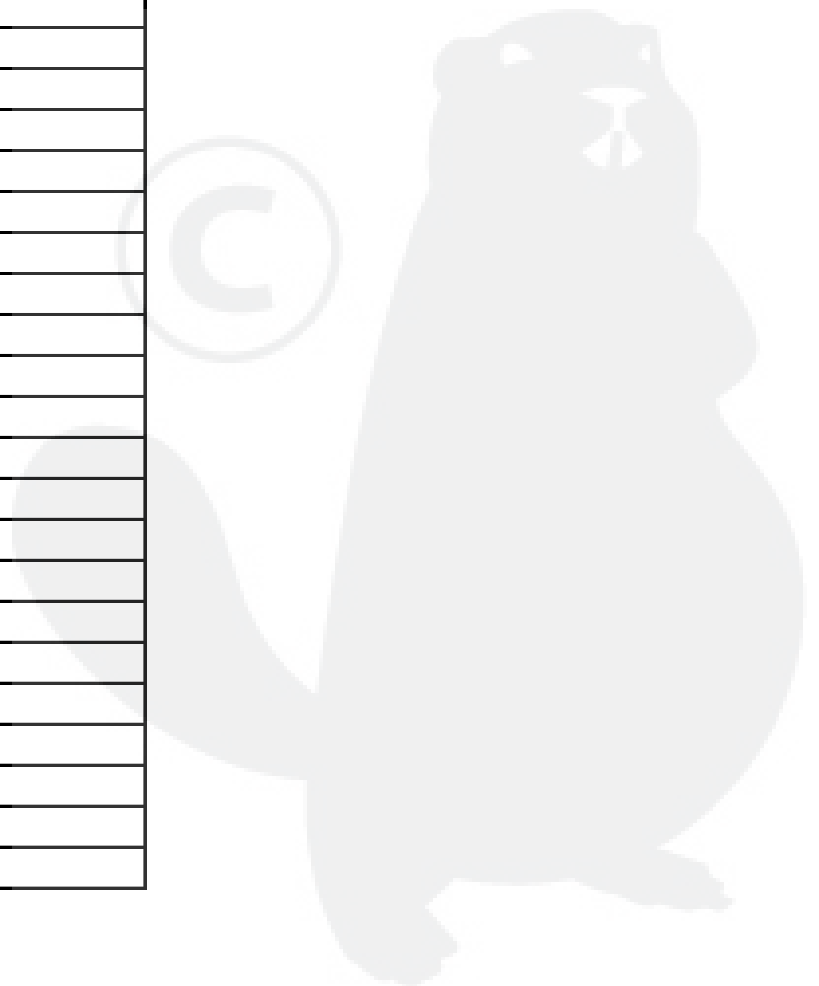


Fig. 2 POWER UNIT



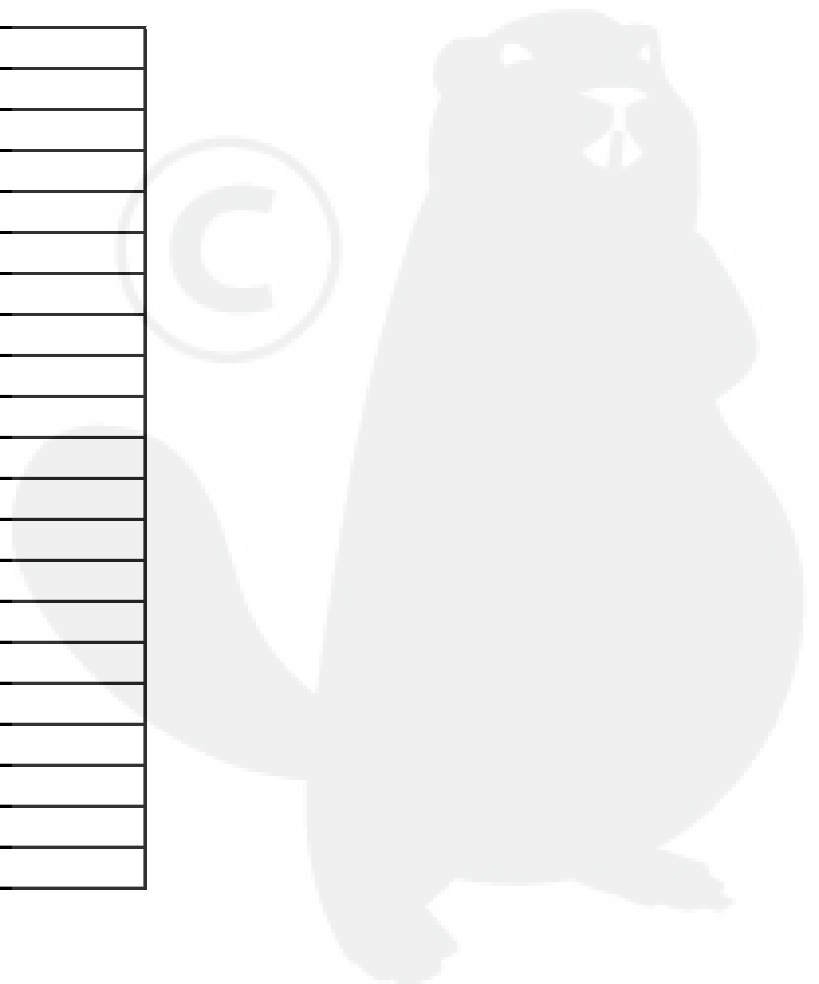
38cc spare parts list		
NO.	Parts Name	
E-1	cylinder	
E-2	air intake tube	
E-3	air intake tube gasket	
E-4	carburetor gasket	
E-5	cylinder gasket	
E-6	screw M5×20	
E-7	muffler	
E-8	muffler cover	
E-9	muffler gasket	
E-10	screw M5×60	
E-11	nut M5	
E-12	nut M5×14	
E-13	crank case assy	
E-13A	right crank case	
E-13B	left crank case	
E-14	bearing 6201	
E-15	ring 32	
E-16	seal 12×22×7	
E-17	seal 12×32×5.5	
E-18	screw bolt AYM8-M8×25-8.8	
E-19	crank case gasket	
E-20	screw M5×30	
E-21	oil outgoing tube3×7×80	
E-22	chain catcher	
E-23	chain catcher screw	
E-24	tensioner	
E-25	adjust screw	
E-26	tensioner cover	
E-27	screw M4×10	
E-28	piston	
E-29	piston ring	
E-30	piston pin	
E-31	piston pin circlip	
E-32	needle bearing 12×17×10	
E-33	needle bearing ring	
E-34	crank shaft component	
E-35	upper cover component	
E-36	side cover	
E-37	shock block	
E-38	tapping screw ST4.8×18	
E-40	choke knob	
E-41	choke knob support	
E-42	idle adjusting guide set	
E-43	dust plate	
E-44	air filter	



E-45	air filter cover	
E-46	air filter lock nut	
E-47	oil intake tube	
E-48	nozzle	
E-49	clutch shell	
E-50	needle bearing	
E-51	clutch	
E-52	clutch washer	
E-53	shoe block	
E-54	clutch spring	
E-55	retainer	
E-57	oil pump	
E-58	worm	
E-59	cover plate	
E-60	screw M4x14	
E-61	worm washer	
E-62	positioner	
E-63	flywheel	
E-63A	countersunk flat head screws M5×16	
E-63B	push dog	
E-63C	torsional spring	
E-64	flange nut M8x1	
E-65	electrical device	
E-68	screw M4x14	
E-69	spark plug RJ7Y	

**Fig No.2 Base Part**

B-1	front handle	
B-2	tapping screw ST 4.8x25	
B-3	base assembly	
B-4	trigger	
B-5	trigger torsional spring	
B-6	pin 6x24	
B-7	fuel tank cap	
B-8	seal 24x34x2	
B-9	oil tank cap	
B-10	seal 24x30x2	
B-11	rear handle cover	
B-12	trigger control rack	
B-13	tapping screw ST 4.8x25	
B-14	stop switch	
B-15	switch conductor	
B-16	ground conductor	
B-17	balancer components	
B-18	balancer rubber	
B-19	throttle	
B-20	fuel tube	
B-21	fuel system	



B-22	fuel tube	
B-23	tube root	
B-24	fuel filter	
B-25	fuel filter circlip	
B-26	front cap	
B-27	base	
B-28	screw M5×14	
B-29	shock base I	
B-30	shock base II	
B-31	tapping screw ST 4.8x16	
B-32	anti-duster I	
B-33	anti-duster II	
B-34	tapping screw ST4.8×18	
B-35	front handle spring	
B-36	tapping screw ST4.8×18	
B-37	right cover assembly	
B-39	front guard	
B-40	brake spring	
B-41	screw M5×40	
B-42	pin gland 5×6.3×30	
B-43	heavy brock gland 6.3×9×15	
B-44	heavy brock	
B-45	heavy brock spring	
B-46	spring base	
B-47	front guard spring	
B-48	washer 5×23×1	
B-49	lock-nut M5	
B-50	brake spring cover	
B-51	tapping screw ST 4.2×13	
B-52	main & secondary level	
B-53	pin 3×9	
B-54	brake control rod	
B-55	steel belt	
B-56	pin 3×9	
B-57	brake spring	
B-59	flange nut M8	
B-60	cooling-air mask	
B-61	starter assembly	
B-62	starter plate	
B-63	start coil-spring & gland	
B-64	start stretching rope3×9×920	
B-65	starting handle	
B-66	tapping screw ST 4.8×13	
B-67	tapping screw ST 4.8×18	
B-69	base spring	
B-70	screw M5×14	
B-71	carburetor	



B-72	air intake support	
B-73	screw M4×70	
B-74	tapping screw ST4.8×18	
	Carburetor Gaskets	
	carburetor Pump	
	Cylinder Assy	
	Piston Assy	
	Gasket Assy	

