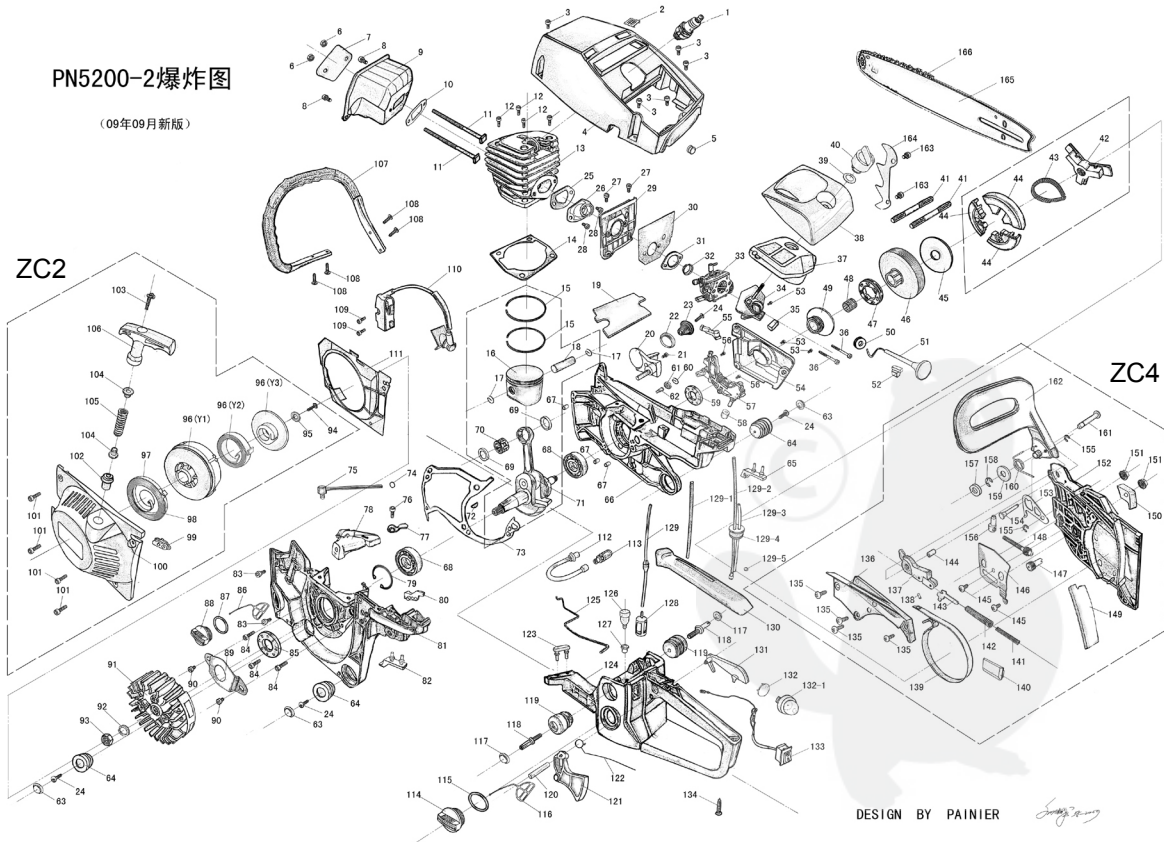


PN5200-2爆炸图

(09年09月新版)

ZC2

ZC4



DESIGN BY PAINIER

PN5200-2 exploding view

Item No.	English Name	QT
GNNG5200-1	SPARK PLUG	1
GNNG5200-2	AIR DAMPER	1
GNNG5200-3	SCREW M5X14	5
GNNG5200-4	COVER-TOP	1
GNNG5200-5	RUBBER STOPPER	1
GNNG5200-6	NUT M5	2
GNNG5200-7	SHIELD-MUFFLER	1
GNNG5200-8	SCREW M5X10	2
GNNG5200-9	MUFFLER ASSY	1
GNNG5200-10	GASKET-MUFFLER	1
GNNG5200-11	SCREW-MUFFLER	2
GNNG5200-12	SCREW M5X20	4
GNNG5200-13	CYLINDER	1
GNNG5200-14	GASKET-CYLINDER	1
GNNG5200-15	PISTON RING	2
GNNG5200-16	PISTON	1
GNNG5200-17	RING-SNAP	2
GNNG5200-18	PIN-PISTON	1
GNNG5200-19	GASKET-SUPPORT CARBURETOR	1
GNNG5200-20	CHAIN CATCHER	1
GNNG5200-21	RING-PLASTIC	1
GNNG5200-22	SCREW M4X14	1
GNNG5200-23	SPRING-DAMPING	1
GNNG5200-24	SCREW ST4. 8X16	3
GNNG5200-25	BOOT-INTAKE	1
GNNG5200-26	SPRING-INTAKE	1
GNNG5200-27	SCREW M5X14	2
GNNG5200-28	SCREW-INTAKE M5X14	2
GNNG5200-29	SUPPORT CABURETOR	1
GNNG5200-30	GASKET-CARBURETOR	1
GNNG5200-31	FLANGE-CARBURETOR	1
GNNG5200-32	EYELET-CARBURETOR	1
GNNG5200-33	CARBURETOR	1
GNNG5200-34	GROMMET-INNER	1
GNNG5200-35	BUMPER-RUBBER	1
GNNG5200-36	SCREW M5X50	2
GNNG5200-37	AIR FILTER	1
GNNG5200-38	COVER-AIR FILTER	1
GNNG5200-39	GASKET-KNOB	1
GNNG5200-40	KNOB-AIR FILTER	1
GNNG5200-41	STUD-BAR	2
GNNG5200-42	HOLDING SUPPORT	1
GNNG5200-43	SPRING-CLUTCH	1
GNNG5200-44	HOOF BLOCK	3
GNNG5200-45	WASHER-CLUTCH	1
GNNG5200-46	DRUM-CLUTCH	1

GNNG5200-47	SPROCKET	1
GNNG5200-48	NEEDLE BEARING BALL CLUTCH	1
GNNG5200-49	GEAR WORM	1
GNNG5200-50	GROMMET-CHOKE KNOB	1
GNNG5200-51	CHOKE KNOB	1
GNNG5200-52	BUMPER-CHOKE KNOB	1
GNNG5200-53	SCREW M5X12	3
GNNG5200-54	COVER-OIL PUMP	1
GNNG5200-55	OIL-VENT	1
GNNG5200-56	SCREW M4X12	2
GNNG5200-57	OIL PUMP ASSY	1
GNNG5200-58	FILTER-OIL PUMP	1
GNNG5200-59	SEAL OIL	1
GNNG5200-60	SPRING	1
GNNG5200-61	FILTER VENT	1
GNNG5200-62	AIR-VENT	1
GNNG5200-63	PLUG-PAD	3
GNNG5200-64	RUBBER CUSHIONING (LOWER)	3
GNNG5200-65	BUMPER-RUBBER (RIGHT)	1
GNNG5200-66	RIGHT CRANK CASE	1
GNNG5200-67	PIN 6X10	3
GNNG5200-68	BEARING 6202	2
GNNG5200-69	WASHER-SPACER PISTON	2
GNNG5200-70	BEARING CRANKSHAFT	1
GNNG5200-71	CRANKSHAFT	1
GNNG5200-72	KEYWHEEL	1
GNNG5200-73	GASKET-CRANKCASE	1
GNNG5200-74	SPRING-HOSE PLUSE	1
GNNG5200-75	HOSE-PLUSE	21
GNNG5200-76	SCREW M5X12	1
GNNG5200-77	CLIP-WIRE	1
GNNG5200-78	GROMMET-ADJUSTING	1
GNNG5200-79	RING	1
GNNG5200-80	GROMMET-OUTER	1
GNNG5200-81	LEFT CRANK CASE	1
GNNG5200-82	BUMPER-RUBBER (LEFT)	1
GNNG5200-83	SCREW M5X30	2
GNNG5200-84	SCREW M5X25	3
GNNG5200-85	SEAL OIL	1
GNNG5200-86	FUEL CAP HOLDING	1
GNNG5200-87	GASKET-OIL CAP	1
GNNG5200-88	OIL CAP	1
GNNG5200-89	GROMMET-ROPE	1
GNNG5200-90	SCREW M4X6	1
GNNG5200-91	FLYWEEL ASSY	1
GNNG5200-92	SPRING WASHER	1
GNNG5200-93	NUT M8X1	1
GNNG5200-94	SCREW ST4. 8X12	1
GNNG5200-95	WASHER	1
GNNG5200-96 (Y1)	PULLEY START (BIG)	1

GNNG5200-96 (Y2)	START SPRING	1
GNNG5200-96 (Y3)	PULLEY START (SMALL)	1
GNNG5200-97	COVER SPRING	1
GNNG5200-98	STARTER SPRING	1
GNNG5200-99	GROMMET-OUTER	1
GNNG5200-100	HOUSING-STARTER	1
GNNG5200-101	SCREW M5X14	4
GNNG5200-102	GROMMET-ROPE	1
GNNG5200-103	STARTER ROPE	1
GNNG5200-104	WASHER	
GNNG5200-105	SPRING-KICK BACK	1
GNNG5200-106	HANDLE-STARTER	1
GNNG5200-107	FRONT HANDLE	1
GNNG5200-108	SCREW ST4. 8X16	4
GNNG5200-109	SCREW M5X20	2
GNNG5200-110	IGNITION ASSY	1
GNNG5200-111	BAFFLE-FAN	1
GNNG5200-112	HOSE OIL	1
GNNG5200-113	OIL FILTER	1
GNNG5200-114	FUEL CAP	1
GNNG5200-115	WASHER-FUEL CAP	1
GNNG5200-116	OIL CAP HOLDING	1
GNNG5200-117	PLUG-PAD (BIG)	2
GNNG5200-118	BOLT	2
GNNG5200-119	RUBBER CUSHIONING (UPPER)	2
GNNG5200-120	PIN-TRIGGER	1
GNNG5200-121	TRIGGER	1
GNNG5200-122	SPRING-TRIGGER	1
GNNG5200-123	BUMPER-RUBBER (FRONT)	1
GNNG5200-124	FUEL TANK	1
GNNG5200-125	ROD-THROTTLE	1
GNNG5200-126	BALANCE	1
GNNG5200-127	BALANCE-SUPPORT	1
GNNG5200-128	FUEL FILTER	1
GNNG5200-129	HOSE FUEL 1	1
GNNG5200-129-1	INLET HOSE FUEL	1
GNNG5200-129-2	HOSE FUEL 2	1
GNNG5200-129-3	OUTLET HOSE FUEL	1
GNNG5200-129-4	SUPPORT HOSE FUEL	1
GNNG5200-129-5	CLIP-HOSE FUEL	1
GNNG5200-130	COVER-REAR HANDLE	1
GNNG5200-131	LEVER-SAFETY TRIGGER	1
GNNG5200-132	Decorative Cover	1
GNNG5200-132-1	PRIMER BULB	1
GNNG5200-133	SWITCH STOP	1
GNNG5200-134	SCREW ST4. 8X19	1
GNNG5200-135	SCREW ST4. 2X9.5	4
GNNG5200-136	COVER BRAKE	1
GNNG5200-137	LEVERAGE-BRAKE	1
GNNG5200-138	PIN 3X8	1

GNNG5200-139	BAND-BRAKE	1
GNNG5200-140	PAD RUGHT	1
GNNG5200-141	SPRING-ACTUATION	1
GNNG5200-142	SPRING-ACTUATION	1
GNNG5200-143	PLATE-BRAKE	1
GNNG5200-144	BUSHING	1
GNNG5200-145	SCREW ST4. 2X9. 5	2
GNNG5200-146	PLATE-BAR	1
GNNG5200-147	SPROCKET-CHAIN ADJUSTING	1
GNNG5200-148	SCREW-CHAIN ADJUSTING	1
GNNG5200-149	STRAP-RUBBER	1
GNNG5200-150	BUMPER-BRAKE HOUSING	1
GNNG5200-151	NUT M8	2
GNNG5200-152	BRAKE HOUSING	1
GNNG5200-153	PLATE-BRAKE	1
GNNG5200-154	PIN	1
GNNG5200-155	RING-SNAP	2
GNNG5200-156	SHAFT-CHAIN ADJUSTING	1
GNNG5200-157	WASHER-RUBBER	1
GNNG5200-158	RING-SNAP	1
GNNG5200-159	GASKET	1
GNNG5200-160	SPRING-BRAKE LEVER	1
GNNG5200-161	PIN-LEVER	1
GNNG5200-162	LEVER-CHAIN BRAKE	1
GNNG5200-163	SCREW M5X10	2
GNNG5200-164	SPIKE	1
GNNG5200-165	GUIDE BAR	1
GNNG5200-166	CHAIN	1

GNNG5200-ZC2
GNNG5200-ZC4

Starter assy (white) n°94 to n°106
Frein de chaîne complet

