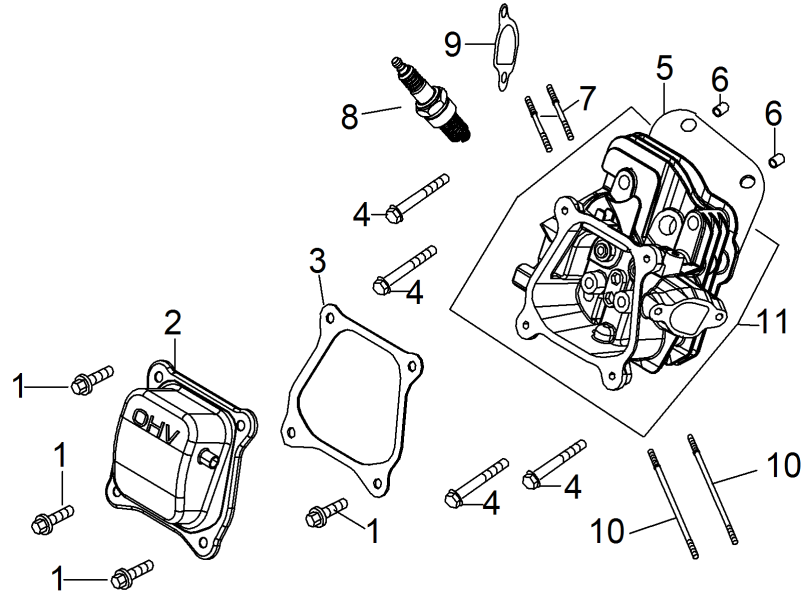


## Spare Parts List - 65581 with ZS engine

S.N.	Drawing No.	Description	QTY
1	GS-VLS7TMACH-1	Upright Tube Weldment ZS	1
2	GS-VLS7TMACH-2	Pump Guard	1
3	GS-VLS7TMACH-3	Spring Washer 6	1
4	GS-VLS7TMACH-4	Screw M6x12	1
5	GS-VLS7TMACH-5	O-Ring 23.6x3.55G	1
6	GS-VLS7TMACH-6	Cap	1
7	GS-VLS7TMACH-7	Washer 10	26
8	GS-VLS7TMACH-8	Lock-out Lever	6
9	GS-VLS7TMACH-9	Bolt M10x35	8
10	GS-VLS7TMACH-10	Clamping Fork (Right)	1
11	GS-VLS7TMACH-11	Right Guard Assy.	1
12	GS-VLS7TMACH-12	Knob M8x20	2
13	GS-VLS7TMACH-13	Fork	2
14	GS-VLS7TMACH-14	Control Lever Shaft	2
15	GS-VLS7TMACH-15	Work Table 2	1
16	GS-VLS7TMACH-16	Rubber Cover	1
17	GS-VLS7TMACH-17	Plastic Insert 4	1
18	GS-VLS7TMACH-18	Plastic Insert 2	1
19	GS-VLS7TMACH-19	Plastic Insert 1	1
20	GS-VLS7TMACH-20	Plastic Insert 3	1
21	GS-VLS7TMACH-21	Clamping Fork1 (Left)	1
22	GS-VLS7TMACH-22	Left Guard Assy.	1
23	GS-VLS7TMACH-23	Screw M6x10	6
24	GS-VLS7TMACH-24	Washer 6	6
25	GS-VLS7TMACH-25	Supporting Frame	1
26	GS-VLS7TMACH-26	Locknut M10	6
27	GS-VLS7TMACH-27	Wheel A	2
28	GS-VLS7TMACH-28	Circlip 16	2
29	GS-VLS7TMACH-29	Bolt M16x15	1
30	GS-VLS7TMACH-30	Washer Groupware 16	1
31	GS-VLS7TMACH-31	Sliding Plate	4
32	GS-VLS7TMACH-32	Knob	1
33	GS-VLS7TMACH-33	Wedge Bracket Round Cover	2
34	GS-VLS7TMACH-34	Round Cover	1
35	GS-VLS7TMACH-35	Square Cover	1
36	GS-VLS7TMACH-36	Nut M20	3
37	GS-VLS7TMACH-37	High Pressure Oil Hose2	1
38	GS-VLS7TMACH-38	Spring Washer 8	6
39	GS-VLS7TMACH-39	Bolt M8x25	2
40	GS-VLS7TMACH-40	Circlip 22	4
41	GS-VLS7TMACH-41	Pin D	1
42	GS-VLS7TMACH-42	Locknut M6	1
43	GS-VLS7TMACH-43	Hole Axes	1
44	GS-VLS7TMACH-44	CCQ Cylinder	1

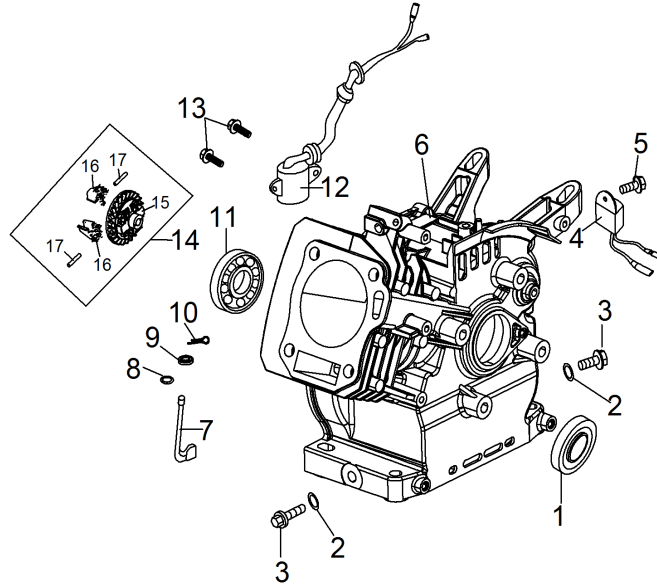
45	GS-VLS7TMACH-45	Hex Bolt	2
46	GS-VLS7TMACH-46	Lock Tray	1
47	GS-VLS7TMACH-47	Arc Washer	1
48	GS-VLS7TMACH-48	Lever Handle ZS	1
49	GS-VLS7TMACH-49	Throttle Cable Bushing Elbow	1
50	GS-VLS7TMACH-50	Handle Set	1
51	GS-VLS7TMACH-51	Handlebar Framework	1
52	GS-VLS7TMACH-52	Frictional Washer	1
53	GS-VLS7TMACH-53	Joining ZS	1
54	GS-VLS7TMACH-54	Locknut M8	2
55	GS-VLS7TMACH-55	Lock Shaft	1
56	GS-VLS7TMACH-56	Operate Handle(left)	1
57	GS-VLS7TMACH-57	Lever Handle	2
58	GS-VLS7TMACH-58	Thin Nut	6
59	GS-VLS7TMACH-59	Washer 8	14
60	GS-VLS7TMACH-60	Control Link Plate	1
61	GS-VLS7TMACH-61	Nut M8	1
62	GS-VLS7TMACH-62	Draw Rod Lock Cover	1
63	GS-VLS7TMACH-63	Supporting Ring	0
64	GS-VLS7TMACH-64	Draw Rod	1
65	GS-VLS7TMACH-65	Draw Sleeve Nut	1
66	GS-VLS7TMACH-66	Thin Nut M16	1
67	GS-VLS7TMACH-67	Draw Sleeve	1
68	GS-VLS7TMACH-68	Hose Clamp 22-28	4
69	GS-VLS7TMACH-69	Bolt M6x30	1
70	GS-VLS7TMACH-70	CA Valve	1
71	GS-VLS7TMACH-71	Wedge Bracket Weldment B	1
72	GS-VLS7TMACH-72	T-Connector, Tape	1
73	GS-VLS7TMACH-73	Washer Groupware 20	12
74	GS-VLS7TMACH-74	Valve Tube Nozzle	1
75	GS-VLS7TMACH-75	High Pressure Oil Hose 24	1
76	GS-VLS7TMACH-76	Valve Injection Nozzle	1
77	GS-VLS7TMACH-77	Oil Return Pipe	1
78	GS-VLS7TMACH-78	High Pressure Oil Hose1	1
79	GS-VLS7TMACH-79	Nozzle 9/16-18-UNF-2BXM20x1.5	1
80	GS-VLS7TMACH-80	Gear Pump	1
81	GS-VLS7TMACH-81	Orientation Ring	1
82	GS-VLS7TMACH-82	Joining	1
83	GS-VLS7TMACH-83	Engine(ZS168FB)	1
84	GS-VLS7TMACH-84	Bolt M8x35	4
85	GS-VLS7TMACH-85	Rubber Washer (UR)	1
86	GS-VLS7TMACH-86	Bolt M8x30	4
87	GS-VLS7TMACH-87	Shaft Connection Coupler CI09012.7-20	1
88	GS-VLS7TMACH-88	Orientation Screw	2
89	GS-VLS7TMACH-89	Intake Hose	1
90	GS-VLS7TMACH-90	Tie-in 20	1
91	GS-VLS7TMACH-91	Nozzle 3/4-16-UNF-2BXM20x1.5	1

## 气缸头组件 Cylinder Head



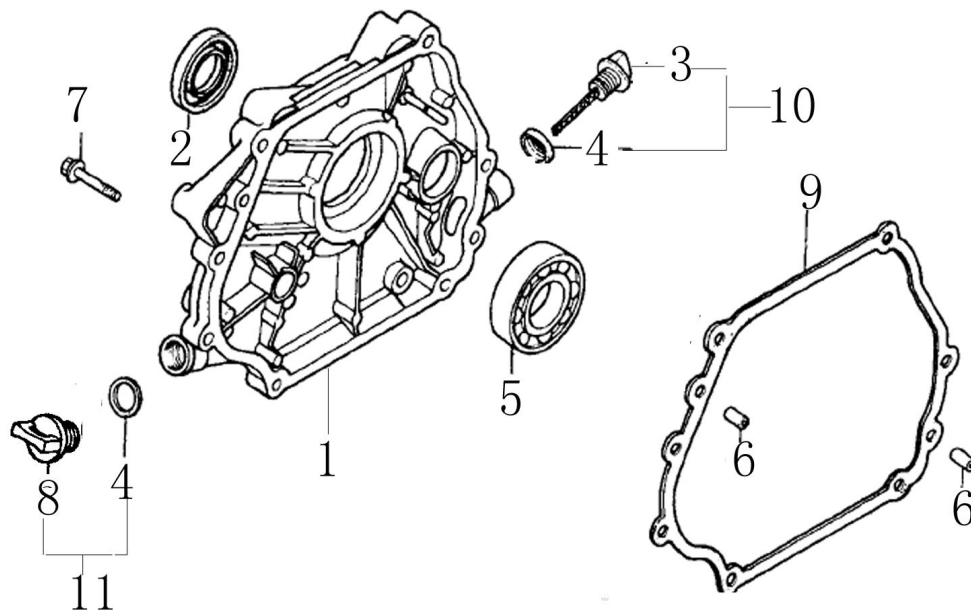
序号	零部件编号	名称 Description			序号	零部件编号	名称 Description		
No.	Part No.	Chinese	English	168FB	No.	Part No.	Chinese	English	168FB
1	GS-VLS7TM0T-1	螺栓M6×16	BOLT M6×16	4					
2	GS-VLS7TM0T-2	170F气缸头盖	VALVE COVER	1					
3	GS-VLS7TM0T-3	168FA气缸头盖密封垫	VALVE COVER GASKET	1					
4	GS-VLS7TM0T-4	螺栓M8×55	HEAD BOLT M8×55	4					
5	GS-VLS7TM0T-5	168FB气缸头密封垫/气缸床/10	CYLINDER HEAD GASKET	1					
6	GS-VLS7TM0T-6	定位销φ10×16	DOWEL PIN φ10×16	2					
7	GS-VLS7TM0T-7	168FA缸头排气口双头螺栓M8×	STUD M8×34	2					
8	GS-VLS7TM0T-8	168FA火花塞	SPARK PLUG	1					
9	GS-VLS7TM0T-9	168FA消声器垫	MUFFLER GASKET	1					
10	GS-VLS7TM0T-10	168FA进气管双头螺栓/动力用M	STUD M6×113	2					
11	GS-VLS7TM0T-11	168FB气缸头组合	CYLINDER HEAD	1					
12									

### 箱体组件Crankcase Comp.



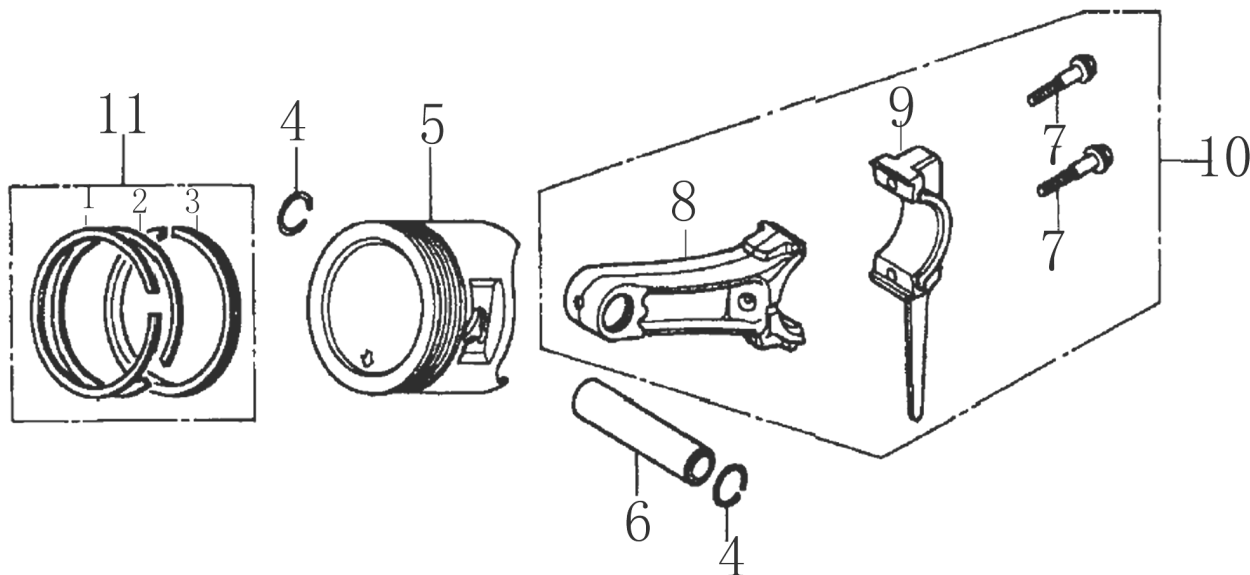
序号	零部件编号	名称 Description			序号	零部件编号	名称 Description		
No.	Part No.	Chinese	English	168FB	No.	Part No.	Chinese	English	168FB
1	GS-VLS7TM0T-12	油封 $\phi 25 \times \phi 41.25 \times 6$	OIL SEAL $\phi 25 \times \phi 41.25 \times 6$	1	13	GS-VLS7TM0T-24	螺栓M6×16	BOLT M6×16	2
2	GS-VLS7TM0T-13	垫圈 $\phi 10 \times \phi 16 \times 1.5$	WASHER $\phi 10 \times \phi 16 \times 1.5$	2	14	GS-VLS7TM0T-25	168FA调速从动齿轮组合	GOVERNOR ASSEMBLY GEAR/SHAFT	1
3	GS-VLS7TM0T-14	放油螺塞/M10×1.25×15	BOLT, DRAIN PLUG	2	15	GS-VLS7TM0T-26	调速从动齿	GOVERNOR GEAR	1
4	GS-VLS7TM0T-15	机油报警器保护放大器/隔离器	AMPLIFIER	1	16	GS-VLS7TM0T-27	调速齿飞块	GOVERNOR FLY WEIGHT	2
5	GS-VLS7TM0T-16	螺栓M6×12	BOLT M6×12	1	17	GS-VLS7TM0T-28	调速齿飞块芯轴	GOVERNOR FLY WEIGHT PIN	2
6	GS-VLS7TM0T-17	168FB曲轴箱体/有孔	CRANKCASE	1					
7	GS-VLS7TM0T-18	168FA油门调速柄	GOVERNOR ARM SHAFT	1					
8	GS-VLS7TM0T-19	O型密封圈 $\phi 5.2 \times 1.9$	O-RING $\phi 5.2 \times 1.9$	1					
9	GS-VLS7TM0T-20	油封/丙烯酸脂/ $\phi 6 \times \phi 11 \times 4$	OIL SEAL $\phi \phi 6 \times \phi 11 \times 4$	1					
10	GS-VLS7TM0T-21	168FA油门调速柄开口销	COTTER PIN	1					
11	GS-VLS7TM0T-22	轴承/6205	RADIAL BALL BEARING (6205)	1					
12	GS-VLS7TM0T-23	168FA机油传感器/感应式	OIL SENSOR	1					

左箱盖 left Crankcase Cover



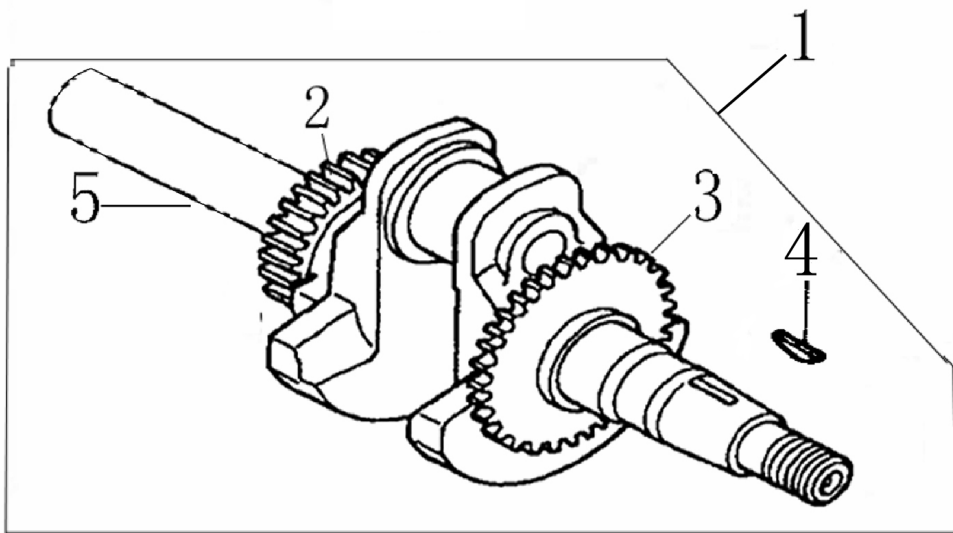
序号	零部件编号	名称 Description			序号	零部件编号	名称 Description		
No.	Part No.	Chinese	English	168FB	No.	Part No.	Chinese	English	168FB
1	GS-VLS7TM0T-29	168FA左曲轴箱盖/动力01型	CRANKCASE COVER	1					
2	GS-VLS7TM0T-30	油封/φ25×φ41.25×6	OIL SEAL φ25×φ41.25×6	1					
3	GS-VLS7TM0T-31	机油尺	DIPSTICK	1					
4	GS-VLS7TM0T-32	机油尺O型圈	O-RING	1					
5	GS-VLS7TM0T-33	轴承/6205	MAIN BEARING	1					
6	GS-VLS7TM0T-34	定位销φ8×14	DOWEL PIN φ8×14	2					
7	GS-VLS7TM0T-35	螺栓M8×32	BOLT M8×32	6	打箱盖				
8	GS-VLS7TM0T-36	机油塞	OIL FILLER PLUG	1					
9	GS-VLS7TM0T-37	168FA曲轴箱密封垫	CRANKCASE GASKET	1					
10	GS-VLS7TM0T-38	168FA机油尺组合	DIPSTICK ASSEMBLY	1					
11	GS-VLS7TM0T-39	168FA机油塞组合	OIL FILLER PLUG COMP	1					

活塞、连杆总成 Piston Connecting Rod Assy.



序号	零部件编号	名称 Description			序号	零部件编号	名称 Description		
No.	Part No.	Chinese	English	168FB	No.	Part No.	Chinese	English	168FB
1	GS-VLS7TM0T-40	活塞环一	FIRST RING SET, PISTON	1					
2	GS-VLS7TM0T-41	活塞环二	SECOND RING SET, PISTON	1					
3	GS-VLS7TM0T-42	油环组合	OIL RING SET, PISTON	1					
4	GS-VLS7TM0T-43	168FA活塞销挡圈	PISTON PIN SNAP RING	2					
5	GS-VLS7TM0T-44	168FB活塞	PISTON	1					
6	GS-VLS7TM0T-45	168FA活塞销	PISTON PIN	1					
7	GS-VLS7TM0T-46	连杆螺栓	CONNECTING ROD BOLT	2					
8	GS-VLS7TM0T-47	连杆	CONNECTING ROD	1					
9	GS-VLS7TM0T-48	连杆盖	CONNECTING ROD CAP	1					
10	GS-VLS7TM0T-49	168FA连杆三组件	CONNECTING ROD ASSEMBLY	1					
11	GS-VLS7TM0T-50	168FA活塞环总成	PISTON RING SET	1					

曲轴总成 Crankshaft Assy.

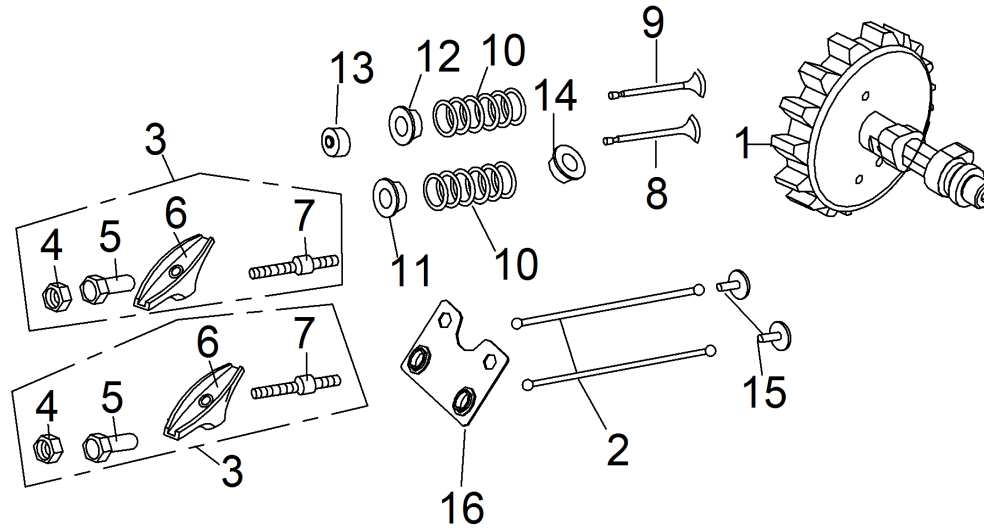


说明：曲轴输出端的规格根据客户要求制作。

序号	零部件编号	名称 Description			序号	零部件编号	名称 Description		
No.	Part No.	Chinese	English	168FB	No.	Part No.	Chinese	English	168FB
1	GS-VLS7TM0T-51	168FB曲轴总成40Cr/01型	CRANKSHAFT ASSEMBLY	1					
2	GS-VLS7TM0T-52	曲轴正时主动齿轮	TIME DRIVE GEAR	1					
3	GS-VLS7TM0T-53	曲轴调速主动齿轮	SPEED-REGULATING DRIVE GEAR	1					
4	GS-VLS7TM0T-54	曲轴半圆键	SPECIAL WOODRUFF KEY	1					
5	GS-VLS7TM0T-55	曲轴	CRANKSHAFT COMP	1					

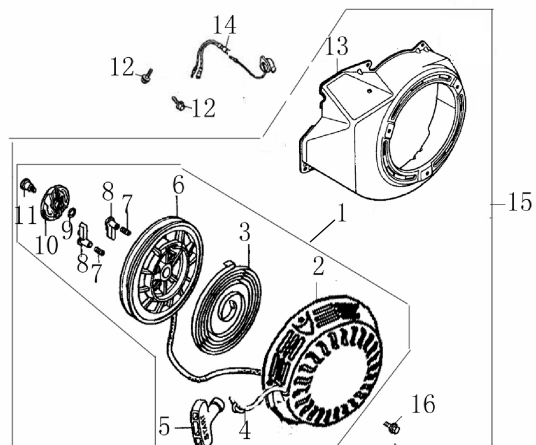


### 凸轮轴（配气机构） Camshaft



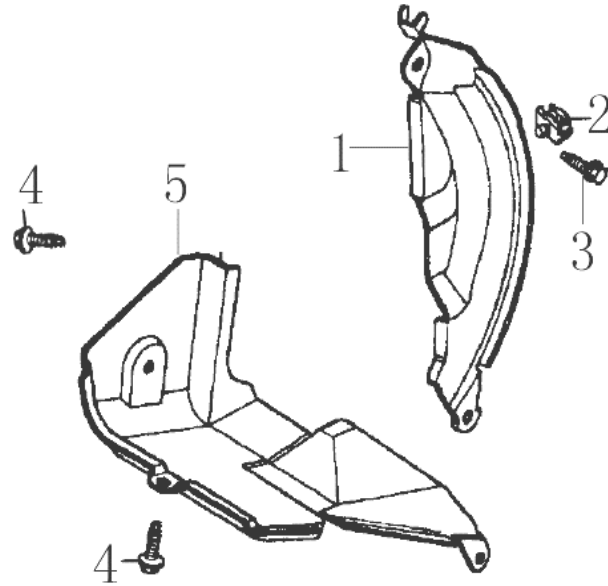
序号	零部件编号	名 称 Description			序号	零部件编号	名 称 Description		
No.	Part No.	Chinese	English	168FB	No.	Part No.	Chinese	English	168FB (E)
1	GS-VLS7TM0T-56	168FB凸轮轴部件/含减压阀/球铁专利款	CAMSHAFT ASSY.	1	14	GS-VLS7TM0T-69	168FB挡油罩组合	VALVE SEAL	1
2	GS-VLS7TM0T-57	168FA推杆/整体式	ROD, PUSH	2	15	GS-VLS7TM0T-70	168FB气门挺柱	LIFTER, VALVE	2
3	GS-VLS7TM0T-58	168FA摇臂及螺栓/螺母/组合	ROCKER ARM ASSEMBLY	2	16	GS-VLS7TM0T-71	168FA摇臂座	PUSH ROD GUIDE	1
4	GS-VLS7TM0T-59	气门锁紧螺母	JAM NUT	2					
5	GS-VLS7TM0T-60	气门间隙调节螺母	FULCRUM NUT	2					
6	GS-VLS7TM0T-61	气门摇臂	ROCKER ARM	2					
7	GS-VLS7TM0T-62	摇臂座定位螺栓	ROCKER ARM STUD	2					
8	GS-VLS7TM0T-63	168FA进气门	INTAKE VALVE	1					
9	GS-VLS7TM0T-64	168FA排气门	EXHAUST VALVE	1					
10	GS-VLS7TM0T-65	168FA气门弹簧	VALVE SPRING	2					
11	GS-VLS7TM0T-66	168FA进气门弹簧座	INTAKE VALVE SPRING RETAIN	1					
12	GS-VLS7TM0T-67	168FA排气门弹簧座	EXHAUST VALVE SPRING RETAIN	1					
13	GS-VLS7TM0T-68	排气门调节帽	ADJUSTER, EX. VALVE	1					

## 反冲起动器 Recoil Starter



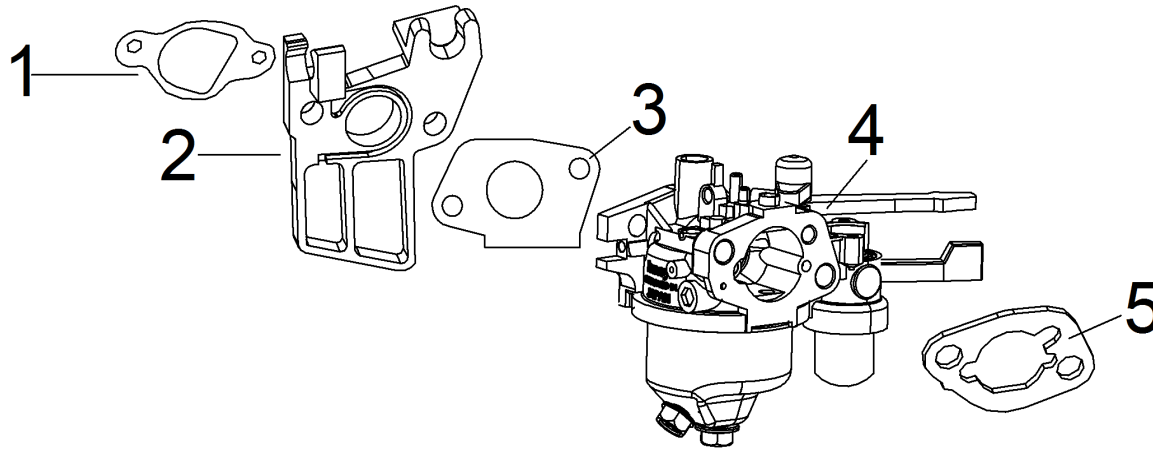
序号	零部件编号	名 称 Description			序号	零部件编号	名 称 Description		
No.	Part No.	Chinese	English	168FB	No.	Part No.	Chinese	English	168FB
1	GS-VLS7TM0T-72	起动器拉盘组合	STARTER COMP, RECOIL	1	14	GS-VLS7TM0T-85	熄火开关总成	SWITCH ASSY, ENGINE STOP	1
2	GS-VLS7TM0T-73	起动器外壳	STARTER HOUSING	1	15	GS-VLS7TM0T-86	168FA手拉起动器总成/技研改型	RECOIL STARTER ASSEMBLY	1
3	GS-VLS7TM0T-74	起动器盘簧	RECOIL SPRING	1	16	GS-VLS7TM0T-87	螺栓M6×10	BOLT M6×10	3
4	GS-VLS7TM0T-75	拉绳	STARTER ROPE	1					
5	GS-VLS7TM0T-76	拉绳手把	STARTER HANDLE	1					
6	GS-VLS7TM0T-77	卷轴	STARTER REEL	1					
7	GS-VLS7TM0T-78	拉绳复位弹簧	STARTER PAWL RETURN SPRING	1					
8	GS-VLS7TM0T-79	拉盘棘爪	STARTER PAWL	2					
9	GS-VLS7TM0T-80	启动拉盘中心弹簧	PRESSURE PLATE SPRING	1					
10	GS-VLS7TM0T-81	拉盘棘爪导板	PRESSURE PLATE	1					
11	GS-VLS7TM0T-82	轴定位螺栓	PRESSURE PLATE BOLT	1					
12	GS-VLS7TM0T-83	螺栓M6×14	BOLT M6×14	4					
13	GS-VLS7TM0T-84	起动器风扇罩	BLOWER HOUSING	1					

导流罩 Side Plate



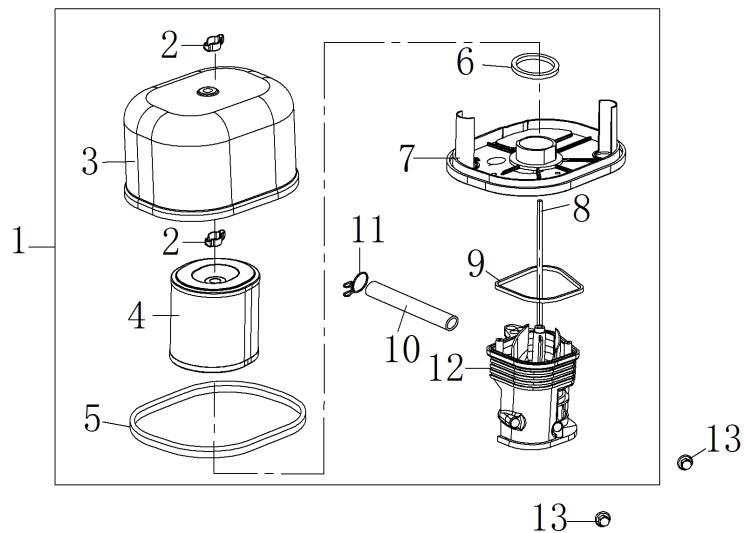
序号	零部件编号	名称 Description			序号	零部件编号	名称 Description		
No.	Part No.	Chinese	English	168FB	No.	Part No.	Chinese	English	168FB(E)
1	GS-VLS7TM0T-88	168FA下护罩/有孔	SHROUD COMP.	1					
2	GS-VLS7TM0T-89	线夹	CLIP, WIRE	1					
3	GS-VLS7TM0T-90	螺栓M6×20	BOLT M6×20	1					
4	GS-VLS7TM0T-91	螺栓M6×10	BOLT M6×14	2					
5	GS-VLS7TM0T-92	导流罩	AIR SHIELD	1					

化油器总成(动力型) Carburetor



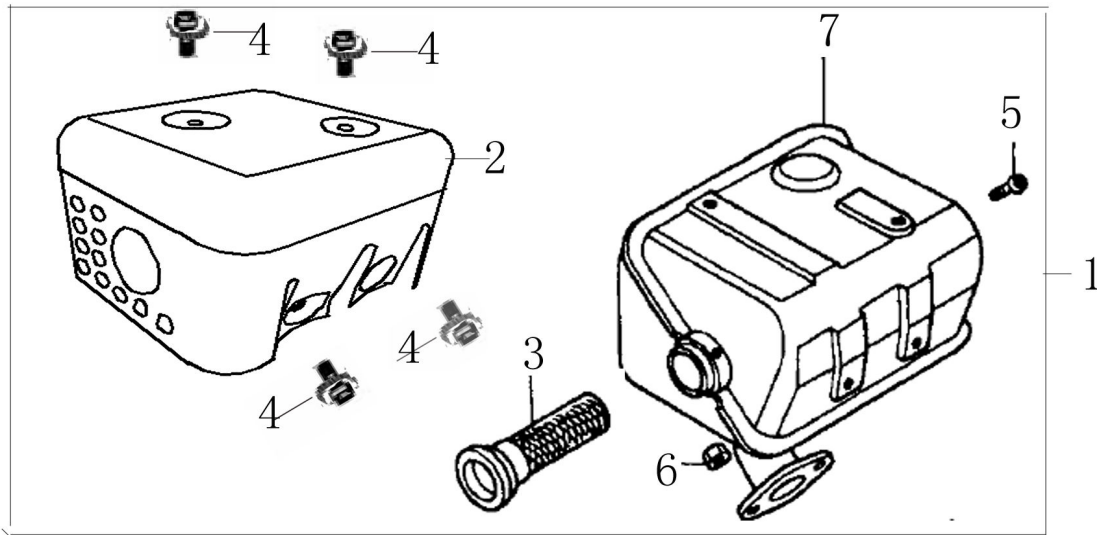
序号	零部件编号	名称 Description			序号	零部件编号	名称 Description		
No.	Part No.	Chinese	English	168FB	No.	Part No.	Chinese	English	168FB
1	GS-VLS7TM0T-93	化油器隔热板垫	PACKING, INSULATOR	1					
2	GS-VLS7TM0T-94	化油器隔热板	INSULATOR, CARBURETOR	1					
3	GS-VLS7TM0T-95	化油器垫	PACKING, CARBURETOR	1					
4	GS-VLS7TM0T-96	168FB化油器总成/动力用	CARBURETOR Assy.	1					
5	GS-VLS7TM0T-97	168FA化油器衬垫	PACKING, AIR CLEANER	1					

### 空气滤清器 Air Cleaner (动力型)



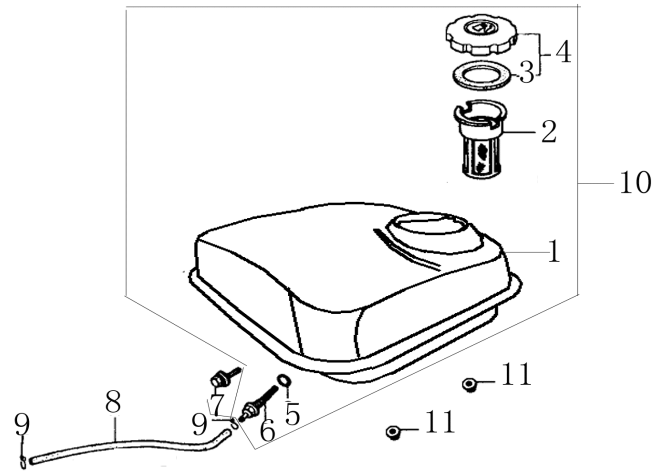
序号	零部件编号	名称 Description			序号	零部件编号	名称 Description		
No.	Part No.	Chinese	English	168FB	No.	Part No.	Chinese	English	168FB
1	GS-VLS7TM0T-98	168FA空滤器总成/技研改型废气管长85/带废气管卡箍	AIR CLEANER ASSEMBLY	1	13	GS-VLS7TM0T-110	螺母M6/GB6177.1/兰白	NUT M6	2
2	GS-VLS7TM0T-99	空滤器蝶形螺母	BUTTERFLY NUT	2					
3	GS-VLS7TM0T-100	空滤器盖	AIR CLEANER COVER	1					
4	GS-VLS7TM0T-101	空滤器滤芯组件	ELEMENT, AIR CLEANER	1					
5	GS-VLS7TM0T-102	空滤器密封胶圈II		1					
6	GS-VLS7TM0T-103	空滤器密封胶圈I		1					
7	GS-VLS7TM0T-104	消音板	SILENCER PLATE	1					
8	GS-VLS7TM0T-105	空滤器盖连接螺栓		1					
9	GS-VLS7TM0T-106	空滤器密封胶圈III		1					
10	GS-VLS7TM0T-107	废气管/φ8.6×φ12×85	BREATHER HOSE	1					
11	GS-VLS7TM0T-108	188F油管卡箍/ISS状态	BREATHER HOSE CLAMP	1					
12	GS-VLS7TM0T-109	空滤器底座	AIR CLEANER BASE	1					

消声器分组件 Muffler COMP.



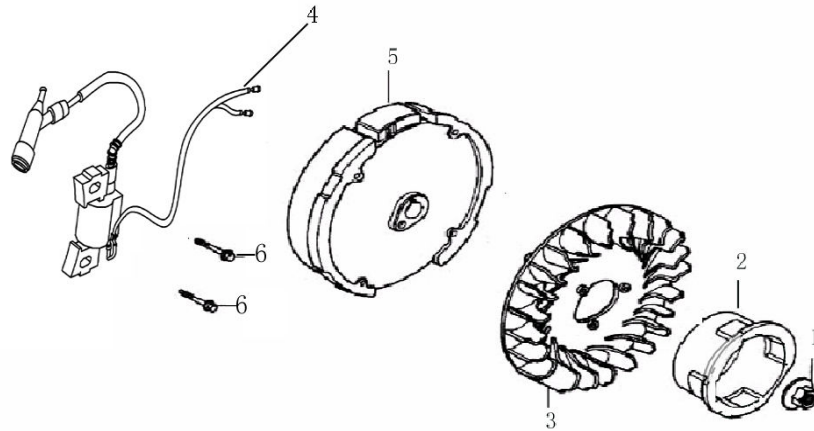
序号	零部件编号	名称 Description			序号	零部件编号	名称 Description		
No.	Part No.	Chinese	English	168FB	No.	Part No.	Chinese	English	168FB (E)
1	GS-VLS7TM0T-111	168FA排气消声器/技研改型	MUFFLER ASSEMBLY	1					
2	GS-VLS7TM0T-112	消声器外罩	MUFFLER SHIELD	1					
3	GS-VLS7TM0T-113	消声器火花消除器 (选用)	SPARK ARRESTOR	1					
4	GS-VLS7TM0T-114	螺栓M5×8	BOLT M5×8	4					
5	GS-VLS7TM0T-115	螺钉M4×6	SCREW M4×6	1					
6	GS-VLS7TM0T-116	螺母M8	NUT M8	2					
7	GS-VLS7TM0T-117	消声器本体	MUFFLER BODY	1					

## 燃油箱 Fuel Tank



序号	零部件编号	名 称 Description		168FB	序号	零部件编号	名 称 Description		168FB (E)
No.	Part No.	Chinese	English		No.	Part No.	Chinese	English	
1	GS-VLS7TM0T-118	油箱本体组合	FUEL TANK	1					
2	GS-VLS7TM0T-119	燃油滤网组合	FUEL FILTER	1					
3	GS-VLS7TM0T-120	油箱盖胶垫	PACKING, FUEL FILLER CAP	1					
4	GS-VLS7TM0T-121	168FA油箱盖组合	FUEL CAP ASSEMBLY	1					
5	GS-VLS7TM0T-122	出油嘴密封垫	PACKING	2					
6	GS-VLS7TM0T-123	出油嘴	JOINT, FUEL TANK	1					
7	GS-VLS7TM0T-124	螺栓M6×28	BOLT M6×28	1					
8	GS-VLS7TM0T-125	复合油管/φ4×φ8×155	FUEL HOSE	1					
9	GS-VLS7TM0T-126	油管卡箍	FUEL HOSE CLAMP	2					
10	GS-VLS7TM0T-127	168FA油箱总成/技研改型/2010	FUEL TANK ASSEMBLY	1					
11	GS-VLS7TM0T-128	螺母M6/GB6177.1/兰白	NUT M6	2					

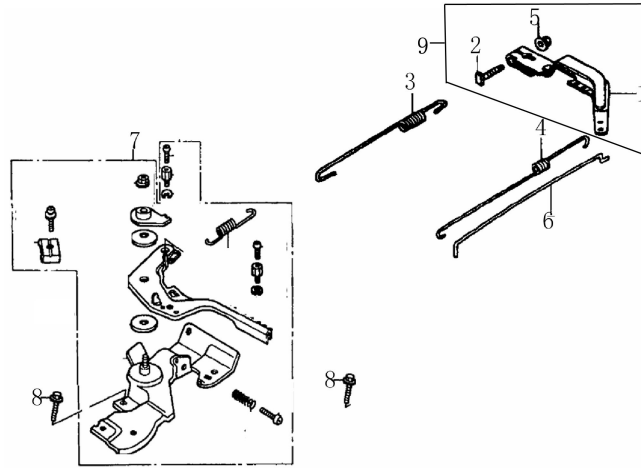
## 飞轮 Flywheel



序号	零部件编号	名 称 Description			序号	零部件编号	名 称 Description		
No.	Part No.	Chinese	English	168FB	No.	Part No.	Chinese	English	168FB (E)
1	GS-VLS7TM0T-129	螺母M14/GB6177/兰白	NUT M14	1					
2	GS-VLS7TM0T-130	起动引轮	STARTER CUP	1					
3	GS-VLS7TM0T-131	168FA叶轮	COOLING FAN	1					
4	GS-VLS7TM0T-132	点火器组合/整体式	IGNITION COIL ASSEMBLY	1					
5	GS-VLS7TM0T-133	飞轮组合	FLYWHEEL	1					
6	GS-VLS7TM0T-134	螺栓M6×25	BOLT M6×25	2					



## 调速控制系统 Control



序号	零部件编号	名 称 Description			序号	零部件编号	名 称 Description		
No.	Part No.	Chinese	English	168FB	No.	Part No.	Chinese	English	168FB (E)
1	GS-VLS7TM0T-135	168FB油门支架	GOVERNOR ARM	1					
2	GS-VLS7TM0T-136	长方头螺栓M6×21	GOVERNOR ARM BOLT	2					
3	GS-VLS7TM0T-137	168FB油门大拉簧/动力用	GOVERNOR SPRING	1					
4	GS-VLS7TM0T-138	油门小拉簧	THROTTLE LINKAGE SPRING	1					
5	GS-VLS7TM0T-139	螺母M6	NUT M6	1					
6	GS-VLS7TM0T-140	油门操纵杆	THROTTLE LINKAGE	1					
7	GS-VLS7TM0T-141	168FA油门操纵组合/动力01型	VARIABLE SPEED CONTROL ASSE	1					
8	GS-VLS7TM0T-142	螺栓M6×12	BOLT M6×12	2					
9	GS-VLS7TM0T-143	168FB油门支架/组合	GOVERNOR ARM ASSEMBLY	1					