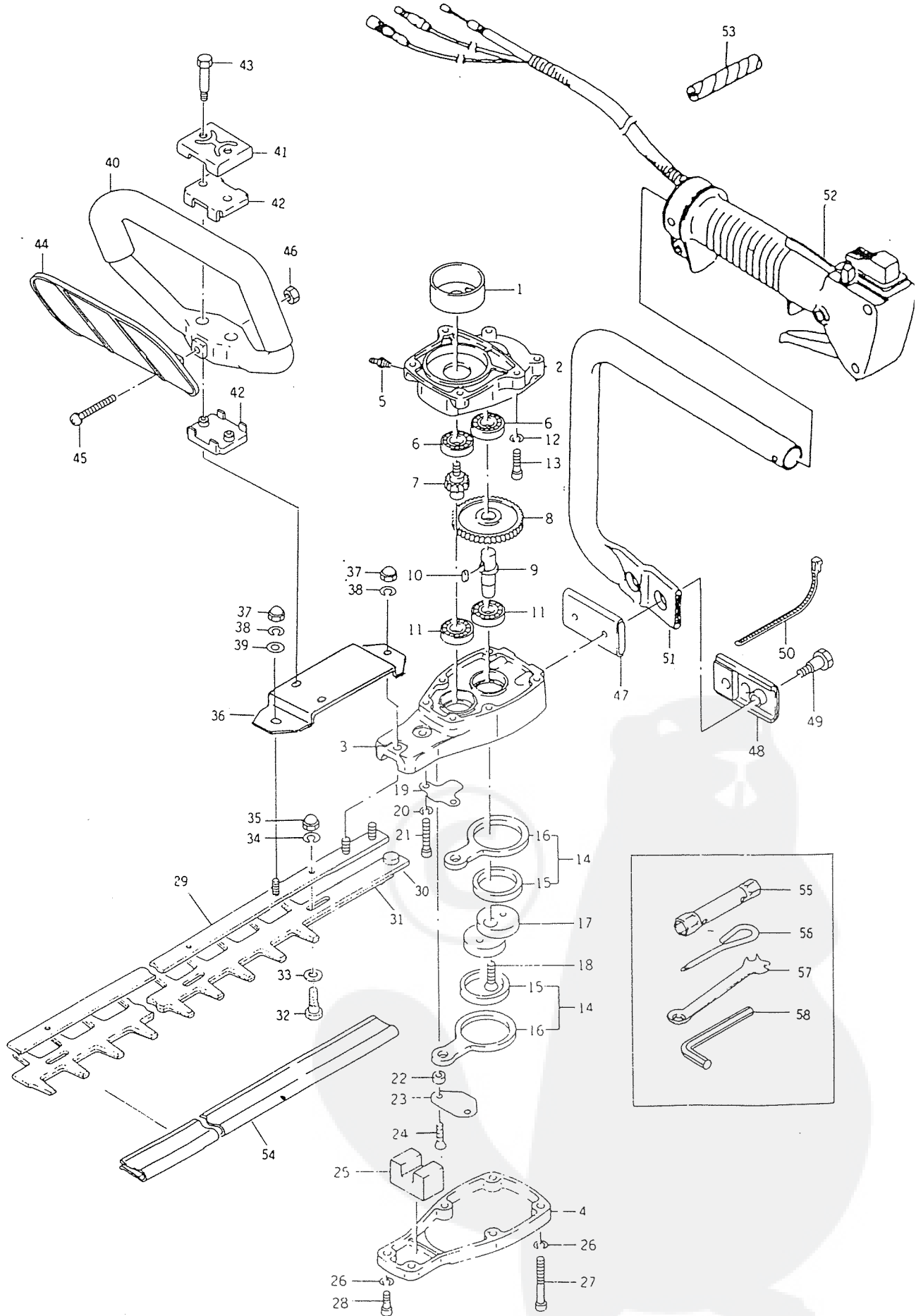


# HEDGE TRIMMER HT-777 Type Exploded View



HT-777

## HEDGE TRIMMER Parts List

Ref. No	Parts No.	Parts Name	Q' ty	Remarks	Ref. No	Parts No.	Parts Name	Q' ty	Remarks
1	1222-1004	CLUTCH DRUM	1		51	1801-1074	LEFT HANDLE	1	D Type
2	1382-1012	GEAR CASE	1		52	1611-1071	THROTTLE LEVER	1	D Type
3	1382-1013	CAM CASE	1		53	1844-1013	COIL TUBE	1	D Type
4	1382-1014	CAM CASE COVER	1		54	1491-1001	BLADE COVER	2	
5	1103-1003	GREASE NIPPLE	1		55	K92110-2093	SOCKET WRENCH	1	
6	0305-6001	BALL BEARING	2	6001DD	56	K92107-2057	SCREW DRIVER	1	
7	1207-1017	PINION GEAR	1		57	1991-1004	SPANNER	1	
8	1207-1018	GEAR	1		58	1991-1005	HEXAGON WRENCH KEY	1	
9	1252-1015	GEAR SHAFT	1						
10	1131-1003	KEY	1						
11	0302-6001	BALL BEARING	2	6001Z					
12	0151-0500	SPRING WASHER	4						
13	0015-0515	SOCKET BOLT	4						
14	1254-1002	CAM ROD ASSY	2						
15	1263-1003	NEEDLE ROLLER BEARING	2						
16	1255-1002	CAM ROD	2						
17	1217-1001	CAM	1						
18	1102-1022	CAM SCREW	1						
19	1475-1003	GUIDE PLATE UPPER	1						
20	0151-0500	SPRING WASHER	2						
21	0015-0530	SOCKET BOLT	2						
22	1117-1011	COLLAR	2						
23	1475-1004	GUIDE PLATE LOWER	1						
24	0015-0530	SCREW	2						
25	1153-1005	FELT PACKING	1						
26	0151-0500	SPRING WASHER	6						
27	0015-0545	SOCKET BOLT	4						
28	0015-0515	SOCKET BOLT	2						
29	1474-1007	BLADE GUIDE	1						
30	1442-1015	BLADE UPPER	1						
31	1442-1016	BLADE LOWER	1						
32	1101-1009	BLADE BOLT (A)	6						
33	1111-1012	BLADE WASHER	6						
34	0151-0600	SPRING WASHER	6						
35	1106-1008	CAP U NUT	6						
36	1371-1046	FRONT HANDLE BRACKET	1						
37	0106-0600	CAP NUT	3						
38	0151-0600	SPRING WASHER	3						
39	0152-0600	PLAIN WASHER	1						
40	1602-1010	FRONT HANDLE	1						
41	1372-1006	HANDLE JOINT	1						
42	1552-1005	ANTI VIBRATION RUBBER	2						
43	1101-1010	FRONT HANDLE BOLT	2						
44	1317-1018	SAFETY GUARD	1						
45	0021-0540	SCREW	1						
46	0101-0500	NUT	1						
47	1551-1002	HANDLE JOINT (A)	1						
48	1551-1003	HANDLE JOINT (B)	1						
49	1101-1013	HANDLE BOLT	2						
50	1844-1001	CABLE BAND	1						