



WISCONSIN

ENGINEERING, INC.

**ŽACÍ STROJ
RASENTRAKTOR
TONDEUSE
LAWN TRACTOR**

MT8 - 110.22 M1

MT8 - 110.25 M1

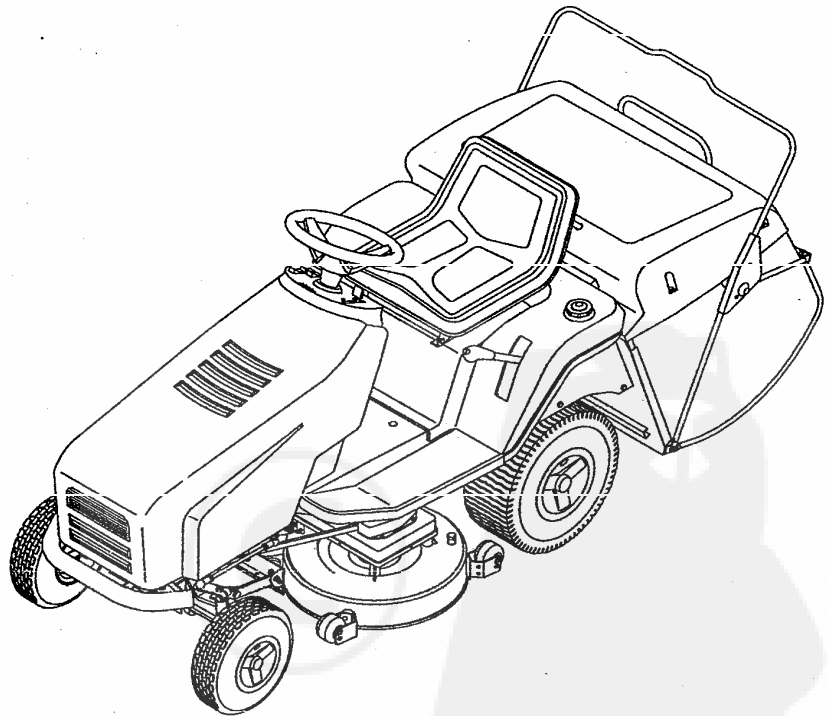
MT8 - 110.26 M1

MT8 - 110.28 H1

MT8 - 110.29 H1

MT8 - 112.29 H1

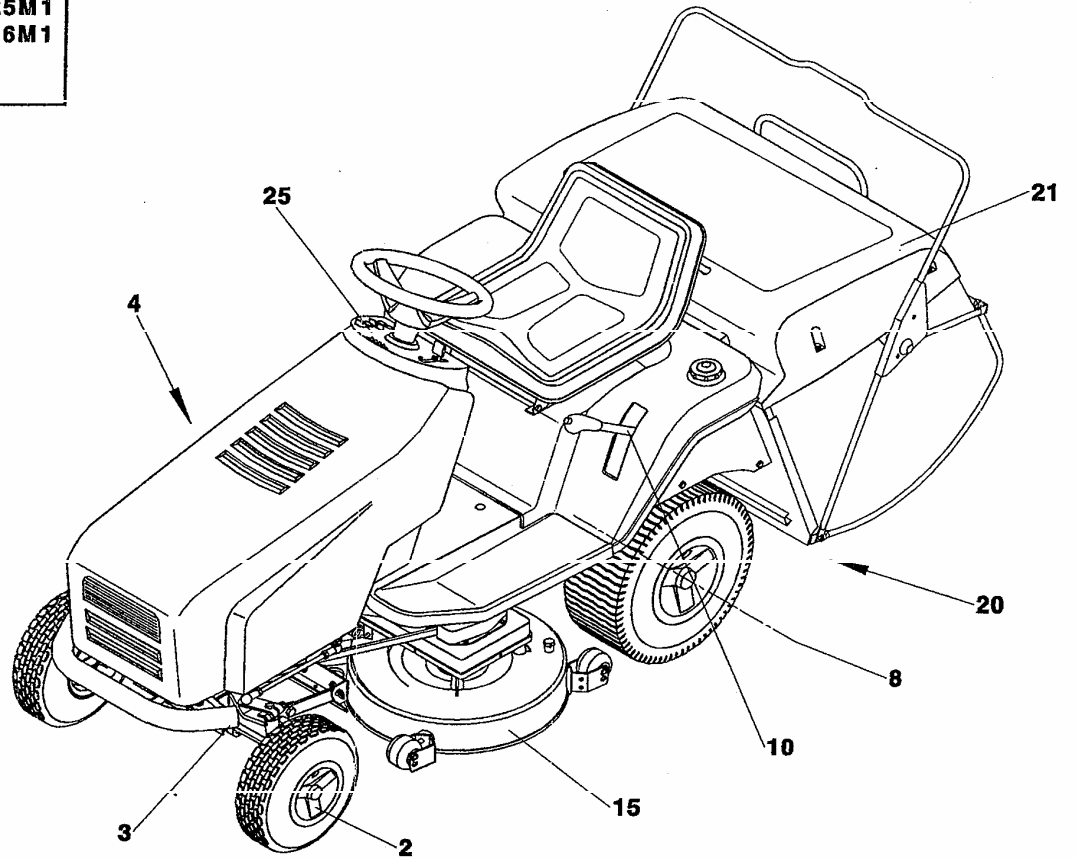
MT8 - 112.49 H1



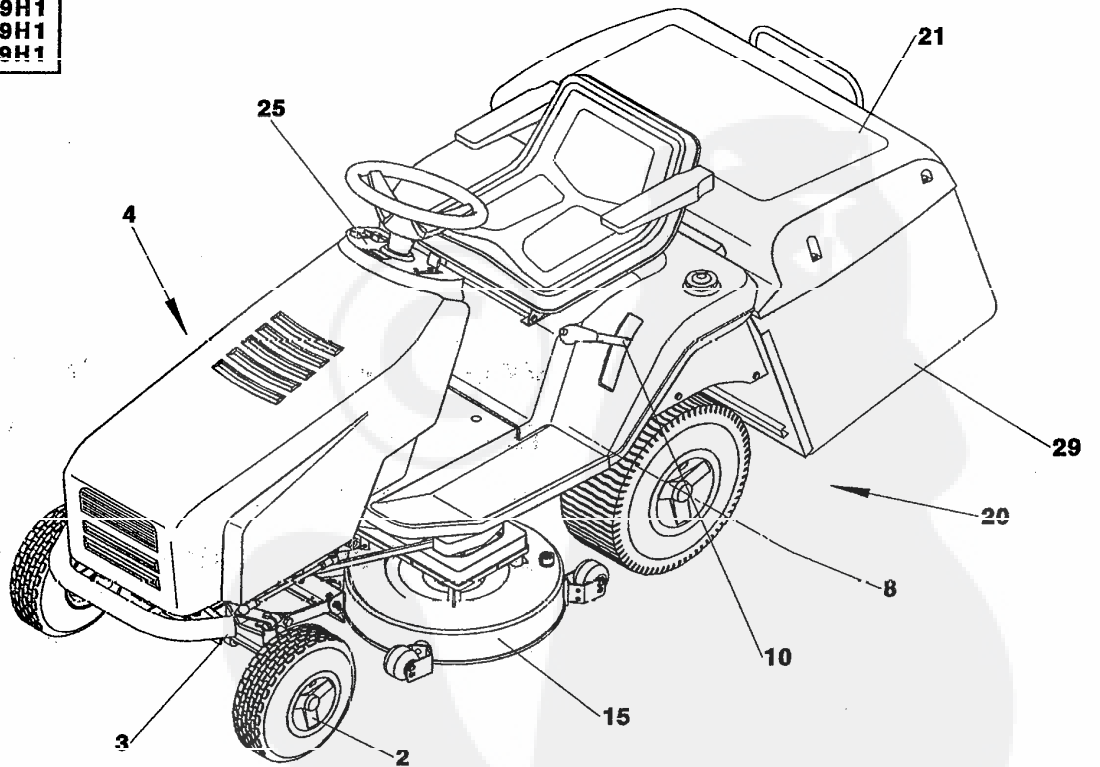
**99
11**

**KATALOG NÁHRADNÍCH DÍLŮ
ERSATZTEILKATALOG
LISTE DES PIÈCES
SPARE PARTS CATALOGUE**

MT8-110.22M1
MT8-110.25M1
MT8-110.26M1



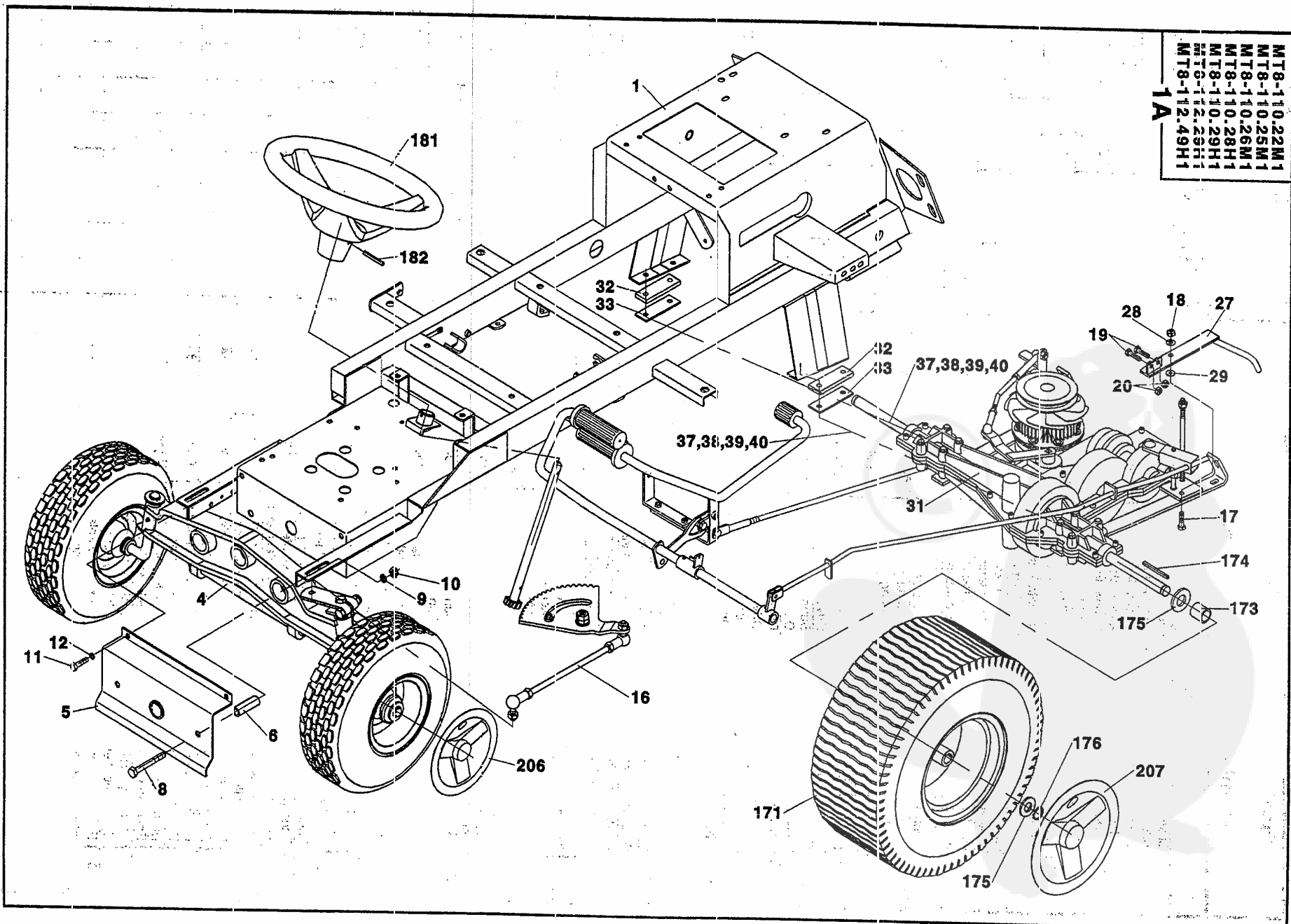
MT8-110.28H1
MT8-110.29H1
MT8-112.29H1
MT8-112.49H1



| Obsah Contents | | Inhalt Contenu | | MT8-... | | | | | | | | | |
|-------------------|--|---------------------------------------|-------|----------|----------|----------|----------|----------|-----|----------|----------|---|--|
| | | | | 110 | | | | | 112 | | | | |
| 1 | 2 | 3 | 4 | Z2 M1 | Z3 M1 | Z6 M1 | Z8 H1 | Z9 H1 | | Z9 H1 | Z9 H1 | | |
| 1 | Začf stroj Toudeuse | Hasentraktor Lawn tractor | E4002 | 12 | 1 | - | - | - | - | - | - | - | |
| 1 | Začf stroj Toudeuse | Hasentraktor Lawn tractor | E4025 | 12 | - | 1 | - | - | - | - | - | - | |
| 1 | Začf stroj Toudeuse | Hasentraktor Lawn tractor | E4026 | 12 | - | - | 1 | - | - | - | - | - | |
| 1 | Začf stroj Toudeuse | Hasentraktor Lawn tractor | E4028 | 12 | - | - | - | 1 | - | - | - | - | |
| 1 | Začf stroj Toudeuse | Hasentraktor Lawn tractor | E4020 | 12 | - | - | - | - | 1 | - | - | - | |
| 1 | Začf stroj Toudeuse | Hasentraktor Lawn tractor | E4021 | 12 | - | - | - | - | - | - | 1 | - | |
| 1 | Začf stroj Toudeuse | Hasentraktor Lawn tractor | E4029 | 12 | - | - | - | - | - | - | - | 1 | |
| 2 | Přednf náprava Essieu avant | Vorderachse Front axle | E2920 | 28 | 1 | 1 | 1 | 1 | 1 | - | 1 | 1 | |
| 3 | Rízení Direction | Steuerung Steering | E2910 | 30 | 1 | 1 | 1 | 1 | 1 | - | 1 | 1 | |
| 4 | Náhon pojezdú Transmission | Buhne Drive | E3840 | 32 | 1 | - | - | - | - | - | - | - | |
| 4 | Náhon pojezdú Transmission | Buhne Drive | E3835 | 36 | - | 1 | - | - | - | - | - | - | |
| 4 | Náhon pojezdú Transmission | Buhne Drive | E3836 | 40 | - | - | 1 | - | - | - | - | - | |
| 4 | Náhon pojezdú Transmission | Buhne Drive | E3837 | 44 | - | - | - | 1 | - | - | - | - | |
| 4 | Náhon pojezdú Transmission | Buhne Drive | E3839 | 44 | - | - | - | - | 1 | - | 1 | - | |
| 4 | Náhon pojezdú Transmission | Buhne Drive | E3838 | 44 | - | - | - | - | - | - | - | 1 | |
| 8 | Zadnf náprava ovládání Pont arrière | Rear axle Hinterachse | E3860 | 50 | 1 | 1 | 1 | 1 | 1 | - | 1 | 1 | |
| 10 | Zvedání sekačky Dispositif de levage | Heben mechanism. Lifting mechanism | E2842 | 56 | 1 | 1 | 1 | 1 | 1 | - | - | - | |
| 10 | Zvedání sekačky Dispositif de levage | Heben mechanism. Lifting mechanism | E3566 | 56 | - | - | - | - | - | - | 1 | 1 | |
| 15 | Sekačka Faucheuse rotative | Hackener Cutter | E2780 | 58 | 1 | 1 | 1 | 1 | 1 | - | - | - | |
| 15 | Sekačka Faucheuse rotative | Hackener Cutter | E3565 | 62 | - | - | - | - | - | - | 1 | 1 | |
| 20 | Tunel Tunnel | Tunnel Tunnel | E3884 | 66 | 1 | 1 | 1 | 1 | 1 | - | 1 | 1 | |
| 21 | Zásobník rozložený Trémie | Bunker Bunker | Y0230 | 68 | 1 | 1 | 1 | - | - | - | - | - | |
| 21 | Zásobník rozložený Trémie | Bunker Bunker | Y0430 | 70 | - | - | - | 1 | 1 | - | 1 | 1 | |
| 25 | Panel přístrojů Panneau | Armaturentafel Instrumental panel | E3905 | 74 | 1 | - | - | - | - | - | - | - | |
| 25 | Panel přístrojů Panneau | Armaturentafel Instrumental panel | E3906 | 74 | - | 1 | - | - | - | - | - | - | |
| 25 | Panel přístrojů Panneau | Armaturentafel Instrumental panel | E3907 | 78 | - | - | 1 | - | - | - | - | - | |
| 25 | Panel přístrojů Panneau | Armaturentafel Instrumental panel | E3908 | 78 | - | - | - | 1 | 1 | - | 1 | - | |
| 25 | Panel přístrojů Panneau | Armaturentafel Instrumental panel | E3909 | 78 | - | - | - | - | - | - | - | 1 | |
| 29 | Zvedání zásobníku el.- mechan. Dispositif de levage | Hebenung mech. Lifting mechanism | E3528 | 82 | - | - | - | 1 | 1 | - | 1 | 1 | |
| 30 | Elektrovýzbroj Égvipermnt élect. | Elektrische anlage Elekt. system | E3900 | 84 | 1 | - | - | - | - | - | - | - | |
| 30 | Elektrovýzbroj Égvipermnt élect. | Elektrische anlage Elekt. system | E3901 | 84 | - | 1 | - | - | - | - | - | - | |
| 30 | Elektrovýzbroj Égvipermnt élect. | Elektrische anlage Elekt. system | E3902 | 84 | - | - | 1 | - | - | - | - | - | |
| 30 | Elektrovýzbroj Égvipermnt élect. | Elektrische anlage Elekt. system | E3903 | 84 | - | - | - | 1 | 1 | - | 1 | - | |
| 30 | Elektrovýzbroj Égvipermnt élect. | Elektrische anlage Elekt. system | E3904 | 84 | - | - | - | - | - | - | - | 1 | |

MT8-110.22M1
 MT8-110.25M1
 MT8-110.26M1
 MT8-110.28H1
 MT8-110.29H1
 MT8-112.25H1
 MT8-112.49H1

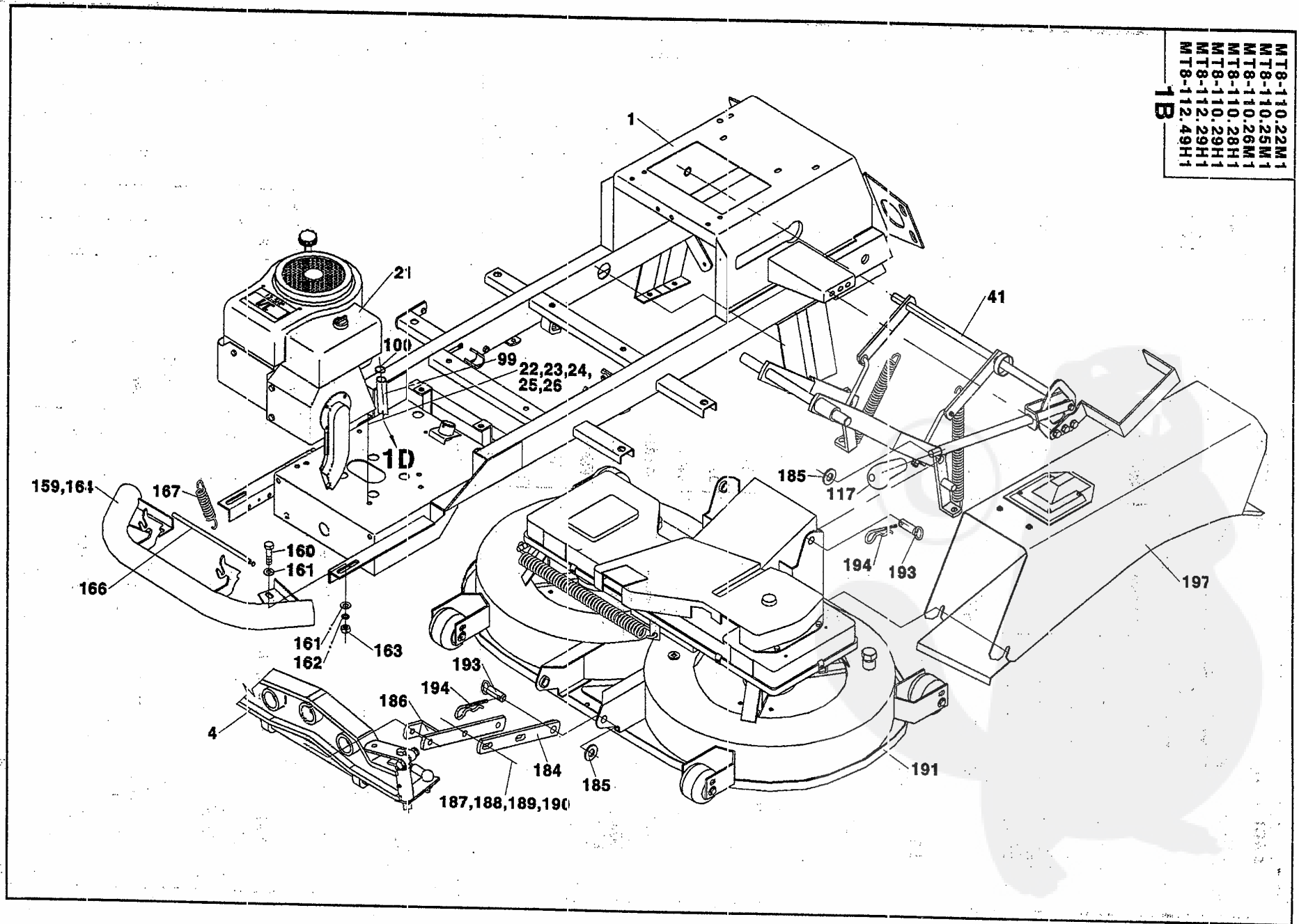
1A



| 1 Žací stroj | | Rasentraktor | | MT8-... | | | | | | |
|--------------|---------------------------------------|------------------------------|----------------|---------------|----------|----------|----------|----------|----------|----------|
| A Toudeuse | | Lawn tractor | | 110 | | | 112 | | | |
| 1 | 2 | 3 | 4 | 22 M1 | 25 M1 | 26 M1 | 28 H1 | 29 H1 | 29 H1 | 49 H1 |
| - | Žací stroj Toudeuse | Rasentraktor Lawn tractor | E4002 | 1 | - | - | - | - | - | - |
| - | Žací stroj Toudeuse | Rasentraktor Lawn tractor | E4025 E4021 | - | 1 | - | - | - | - | - |
| - | Žací stroj Toudeuse | Rasentraktor Lawn tractor | E4026 E4028 | - | - | 1 | - | - | - | 1 |
| - | Žací stroj Toudeuse | Rasentraktor Lawn tractor | E4020 E4029 | - | - | - | - | 1 | - | - |
| 1 | Rám Cadre | Rahmen Frame | E2792 | 1 | 1 | 1 | 1 | 1 | 1 | 1 |
| 4 | Přední náprava Essieu avant | Vorderachse Front axle | E2920 | 1 | 1 | 1 | 1 | 1 | 1 | 1 |
| 5 | Držák nápravy Support | Halter Holder | E2900 | 1 | 1 | 1 | 1 | 1 | 1 | 1 |
| 6 | Rozpěrka Cale | Spreitze Spacer | E0069 | 2 | 2 | 2 | 2 | 2 | 2 | 2 |
| 8 | Šroub M10x75 Boulon | Schraube Screw | 084 921 | CSN 021101.55 | 2 | 2 | 2 | 2 | 2 | 2 |
| 9 | Podložka 10 Rondelle | U-Scheibe Washer | 071 541 | CSN 021740.05 | 2 | 2 | 2 | 2 | 2 | 2 |
| 10 | Matice M10 Écrou | Mutter Nut | 070 091 | CSN 021401.55 | 2 | 2 | 2 | 2 | 2 | 2 |
| 11 | Šroub M8x16 Boulon | Schraube Screw | 067 284 | CSN 021103.55 | 2 | 2 | 2 | 2 | 2 | 2 |
| 12 | Podložka 8 Rondelle | U-Scheibe Washer | 276 721 | CSN 021740.05 | 2 | 2 | 2 | 2 | 2 | 2 |
| 16 | Rízení Direction | Steuerung Steering | E2910 | 1 | 1 | 1 | 1 | 1 | 1 | 1 |
| 17 | Šroub M8x30 Boulon | Schraube Screw | 067 312 | CSN 021103.55 | 1 | 1 | 1 | 1 | 1 | 1 |
| 18 | Matice M8 Écrou | Mutter Nut | 596 142 | CSN 021492.25 | 1 | 1 | 1 | 1 | 1 | 1 |
| 19 | Šroub M6x30 Boulon | Schraube Screw | 062 862 | CSN 021103.15 | 2 | 2 | 2 | 2 | 2 | 2 |
| 20 | Matice M6 Écrou | Mutter Nut | 590 025 | CSN 021401.55 | 2 | 2 | 2 | 2 | 2 | 2 |
| 27 | Páka Lever | Lever Hebel | E3892 | 1 | 1 | 1 | 1 | 1 | 1 | 1 |
| 28 | Podložka 8.4 Rondelle | U-Scheibe Washer | 070 812 | CSN 021702.15 | 1 | 1 | 1 | 1 | 1 | 1 |
| 29 | Podložka 8.4 Rondelle | U-Scheibe Washer | 501 182 | CSN 021726.05 | 1 | 1 | 1 | 1 | 1 | 1 |
| 31 | Zadní náprava Pont arrière | Hinterachse Rear axle | E3860 | 1 | 1 | 1 | 1 | 1 | 1 | 1 |
| 32 | Podložka Rondelle | Scheibe Washer | E3881 | 2 | 2 | 2 | 2 | 2 | 2 | 2 |
| 33 | Podložka Rondelle | Scheibe Washer | E3888 | 2 | 2 | 2 | 2 | 2 | 2 | 2 |
| 37 | Podložka 8 Rondelle | U-Scheibe Washer | 276 721 | CSN 021740.05 | 4 | 4 | 4 | 4 | 4 | 4 |
| 38 | Matice M8 Écrou | Mutter Nut | 070 084 | CSN 021401.55 | 4 | 4 | 4 | 4 | 4 | 4 |
| 39 | Podložka 9 zink Rondelle | U-Scheibe Washer | 071 226 | CSN 021729 | 4 | 4 | 4 | 4 | 4 | 4 |
| 40 | Šroub M8x80 Boulon | Schraube Screw | 596 135 | CSN 021101.55 | 4 | 4 | 4 | 4 | 4 | 4 |
| 171 | Kolo 20x10,00-8 NHS TURF MATE Roue | Rad Wheel | 027 706 | 2 | 2 | 2 | 2 | 2 | 2 | 2 |
| 173 | Pouzdro Doville | Huelse Bush | E3863 | 2 | 2 | 2 | 2 | 2 | 2 | 2 |
| 174 | Pero Ressort | Feder Feather | E3882 | 2 | 2 | 2 | 2 | 2 | 2 | 2 |
| 175 | Podložka 19 Rondelle | U-Scheibe Washer | 070 546 | CSN 021702.15 | 4 | 4 | 4 | 4 | 4 | 4 |
| 176 | Kroužek 15 Anneau | Ring Ring | 007 252 | CSN 022929.05 | 2 | 2 | 2 | 2 | 2 | 2 |
| 181 | Volant Volant | Lenkrad Steer. wheel | E0041 | 1 | 1 | 1 | 1 | 1 | 1 | 1 |
| 182 | Kolík 6x56 Cheville | Stift Pin | 043 865 | CSN 022156 | 1 | 1 | 1 | 1 | 1 | 1 |
| 206 | Poklice přední Enjoliveur | Deckel Cover | E3051 | - | - | 2 | 2 | 2 | 2 | 2 |
| 207 | Poklice zadní Enjoliveur | Deckel Cover | E3053 | - | - | 2 | 2 | 2 | 2 | 2 |

MT8-110.22M1
 MT8-110.25M1
 MT8-110.26M1
 MT8-110.28H1
 MT8-110.29H1
 MT8-112.29H1
 MT8-112.49H1

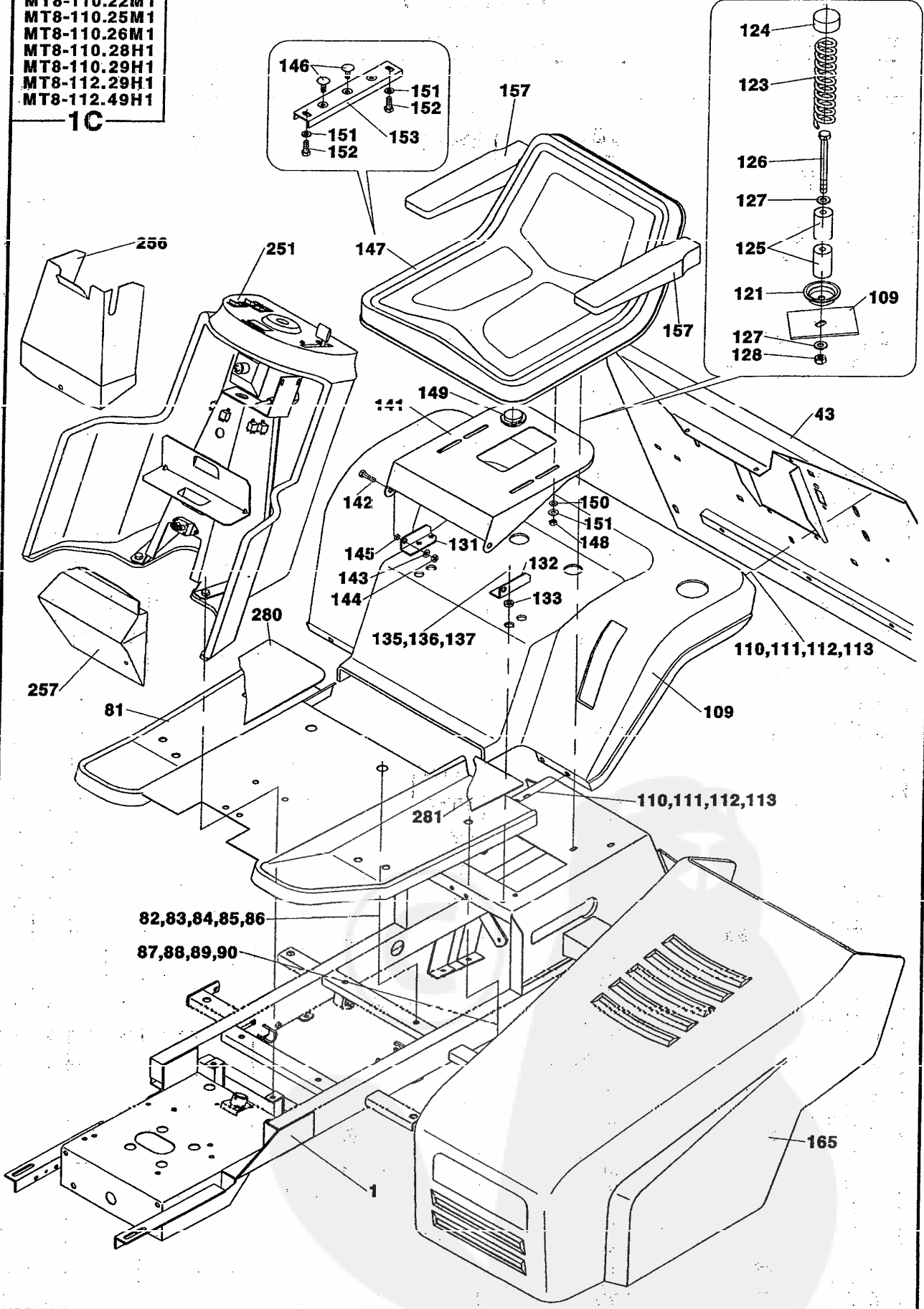
1B



| 1 Žací stroj | | Rasentraktor | | MT8-... | | | | | | |
|--------------|---|----------------------------------|----------------|---------------|----------|----------|----------|----------|----------|----------|
| B Toudeuse | | Lawn tractor | | 110 | | | 112 | | | |
| 1 | 2 | 3 | 4 | 22 M1 | 23 M1 | 26 M1 | 23 H1 | 29 H1 | 29 H1 | 49 H1 |
| 1 | Rám Cadre | Rahmen Frame | E2792 | 1 | 1 | 1 | 1 | 1 | 1 | - |
| 4 | Přední náprava Essieu avant | Vorderachse Front axle | E2920 | 1 | 1 | 1 | 1 | 1 | 1 | - |
| 21 | Náhon pojezdu Transmission | Bühne Drive | E3840 | 1 | - | - | - | - | - | - |
| 21 | Náhon pojezdu Transmission | Bühne Drive | E3835 | - | 1 | - | - | - | - | - |
| 21 | Náhon pojezdu Transmission | Bühne Drive | E3836 | - | - | 1 | - | - | - | - |
| 21 | Náhon pojezdu Transmission | Bühne Drive | E3837 | - | - | - | 1 | - | - | - |
| 21 | Náhon pojezdu Transmission | Bühne Drive | E3839 E3838 | - | - | - | - | 1 | - | - |
| 22 | Šroub M8x40 Boulon | Schraube Screw | 066 646 | CSN 021101.55 | 1 | 1 | 1 | 1 | 1 | 1 |
| 23 | Šroub M8x35 Boulon | Schraube Screw | 686 980 | CSN 021101.55 | 3 | 3 | 3 | 3 | 3 | 3 |
| 24 | Podložka 6.4 Rondelle | U-Scheibe Washer | 070 812 | CSN 021702.15 | 4 | 4 | 4 | 4 | 4 | 4 |
| 25 | Podložka 8 Rondelle | U-Scheibe Washer | 276 721 | CSN 021740.05 | 4 | 4 | 4 | 4 | 4 | 4 |
| 26 | Matice M8 Écrou | Mutter Nut | 070 084 | CSN 021401.55 | 4 | 4 | 4 | 4 | 4 | 4 |
| 41 | Zvedání sekačky Dispositif de levage | Heben mech. Lifting mechanism | E2842 | 1 | 1 | 1 | 1 | 1 | - | - |
| 41 | Zvedání sekačky Dispositif de levage | Heben mech. Lifting mechanism | E3566 | - | - | - | - | - | 1 | 1 |
| 99 | Hadice L=1450 Flexible verifier | Schlauch Hose | Y0233 | 1 | 1 | - | - | - | - | 1 |
| 99 | Hadice L=1700 Flexible verifier | Schlauch Hose | Y0237 | - | - | 1 | 1 | 1 | 1 | - |
| 100 | Hadicová spona UM 5008 Agrafe | Schelle Clip | 025 632 | 2 | 2 | 2 | 2 | 2 | 2 | 2 |
| 117 | Rukojeť 4-D0387 Poignée | Handgriff Grip | 008 702 | 1 | 1 | 1 | 1 | 1 | 1 | 1 |
| 159 | Nárazník Pare-chocs | Puffer Buffer | E2933 | 1 | 1 | 1 | 1 | 1 | 1 | 1 |
| 160 | Šroub M10x25 Boulon | Schraube Screw | 067 340 | CSN 021103.55 | 2 | 2 | 2 | 2 | 2 | 2 |
| 161 | Podložka 10.5 Rondelle | U-Scheibe Washer | 070 504 | CSN 021702.15 | 4 | 4 | 4 | 4 | 4 | 4 |
| 162 | Podložka 10 Rondelle | U-Scheibe Washer | 071 541 | CSN 021740.05 | 2 | 2 | 2 | 2 | 2 | 2 |
| 163 | Matice M10 Écrou | Mutter Nut | 070 091 | CSN 021401.55 | 2 | 2 | 2 | 2 | 2 | 2 |
| 164 | Zátka C.85 D=50 Bouchon | Stopfen Plug | 022 241 | 2 | 2 | 2 | 2 | 2 | 2 | 2 |
| 166 | Pojistka Fusible | Sicherung Fuse | E2946 | 1 | 1 | 1 | 1 | 1 | 1 | 1 |
| 167 | Pružina 1.6x11.5x50x19.75 Ressort | Feder Spring | 599 533 | CSN 026030.0 | 1 | 1 | 1 | 1 | 1 | 1 |
| 184 | Táhlo Tige | Zugstange Draw. rod | E0078 | 2 | 2 | 2 | 2 | 2 | 2 | 2 |
| 185 | Podložka 17 Rondelle | U-Scheibe Washer | 070 532 | CSN 021702.15 | 4 | 4 | 4 | 4 | 4 | 4 |
| 186 | Závěs Suspension | Gehaenger Suspension | E2927 | 2 | 2 | 2 | 2 | 2 | 2 | 2 |
| 187 | Šroub M10x35 Boulon | Schraube Screw | 066 723 | CSN 021101.55 | 4 | 4 | 4 | 4 | 4 | 4 |
| 188 | Podložka 10.5 Rondelle | U-Scheibe Washer | 070 504 | CSN 021702.15 | 8 | 8 | 8 | 8 | 8 | 8 |
| 189 | Podložka 10 Rondelle | U-Scheibe Washer | 071 541 | CSN 021740.05 | 4 | 4 | 4 | 4 | 4 | 4 |
| 190 | Matice M10 Écrou | Mutter Nut | 070 091 | CSN 021401.55 | 4 | 4 | 4 | 4 | 4 | 4 |
| 191 | Sekačka Faucheuse rotative | Hackener Cutter | E2780 E3565 | 1 | 1 | 1 | 1 | 1 | - | - |
| 193 | Kočík Cheville | Stift Pin | E0081 | 4 | 4 | 4 | 4 | 4 | 4 | 4 |
| 194 | Pojistka 4-03526 Fusible | Sicherung Fuse | 081 614 | 4 | 4 | 4 | 4 | 4 | 4 | 4 |
| 197 | Tunel Tunnel | Tunnel Tunnel | E3884 | 1 | 1 | 1 | 1 | 1 | 1 | 1 |

MT8-110.22M1
 MT8-110.25M1
 MT8-110.26M1
 MT8-110.28H1
 MT8-110.29H1
 MT8-112.29H1
 MT8-112.49H1

1C

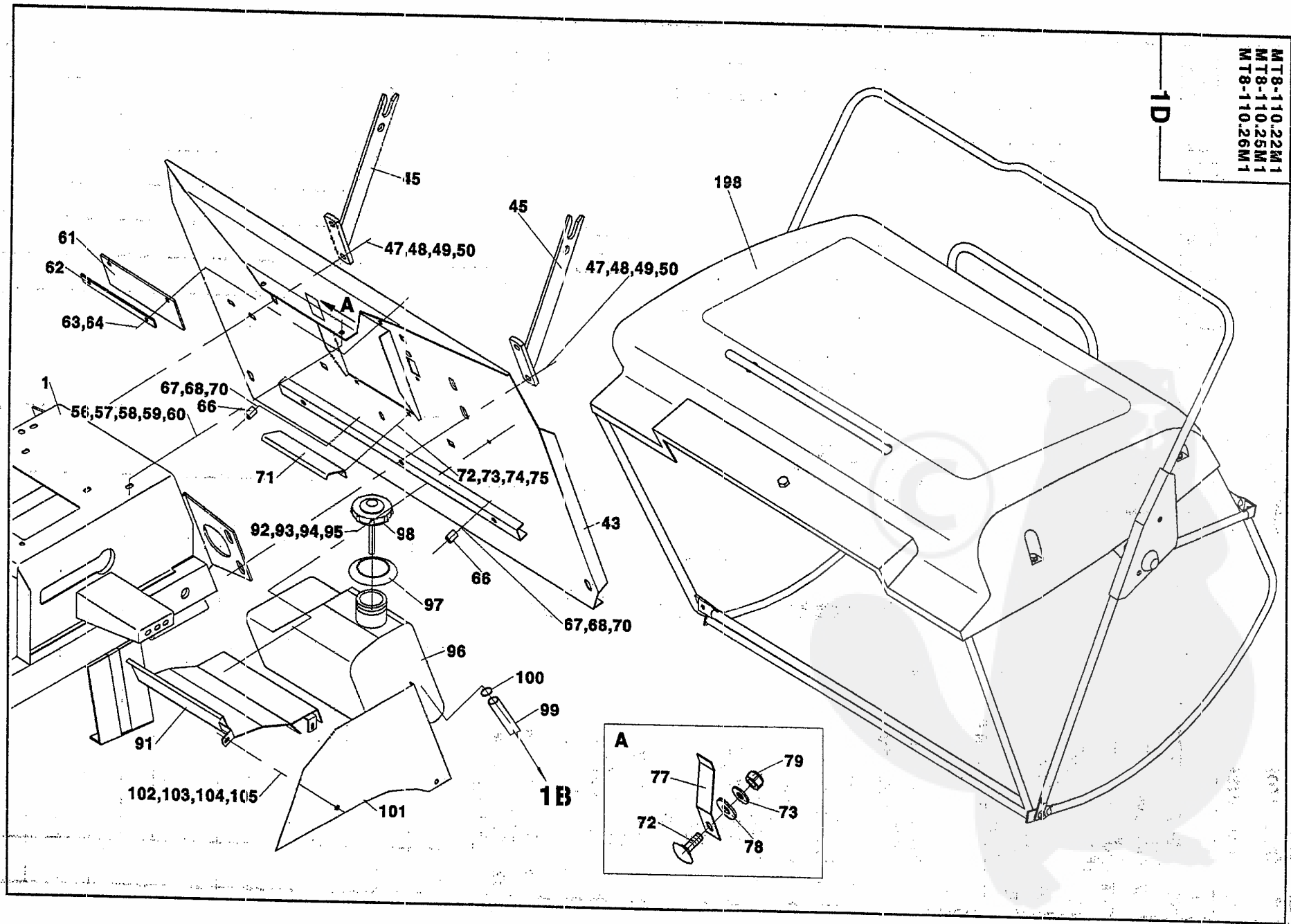


| 1 Žací stroj | | Rasentraktor | | | MT8-... | | | | | | | |
|--------------|-----------------------------------|-----------------------|---------|---------------|----------|----------|----------|----------|----------|----------|----------|--|
| C Toudeuse | | Lawn tractor | | | 110 | | | | | 112 | | |
| 1 | 2 | 3 | 4 | 22 M1 | 25 M1 | 26 M1 | 28 H1 | 29 H1 | 30 H1 | 30 H1 | 40 H1 | |
| 1 | Rám Cadre | Rahmen Frame | E2792 | 1 | 1 | 1 | 1 | 1 | | 1 | 1 | |
| 43 | Zadní deska Plaque | Platte Plate | E2892 | 1 | 1 | 1 | - | - | | - | - | |
| 43 | Zadní deska Plaque | Platte Plate | E3515 | - | - | - | 1 | 1 | | 1 | 1 | |
| 81 | Podlaha Plancher | Boden Floor | E0135 | 1 | 1 | 1 | 1 | 1 | | 1 | 1 | |
| 82 | Šroub M8x20 zink Boulon | Schraube Screw | 061 244 | CSN 021019 | 2 | 2 | 2 | 2 | | 2 | 2 | |
| 83 | Podložka 10,5 Rondelle | U-Scheibe Washer | 070 504 | CSN 021702.15 | 2 | 2 | 2 | 2 | | 2 | 2 | |
| 84 | Podložka 8,4 Rondelle | U-Scheibe Washer | 070 812 | CSN 021702.15 | 2 | 2 | 2 | 2 | | 2 | 2 | |
| 85 | Podložka 8 Rondelle | U-Scheibe Washer | 276 721 | CSN 021740.05 | 2 | 2 | 2 | 2 | | 2 | 2 | |
| 86 | Maticice M8 Écrou | Mutter Nut | 070 084 | CSN 021401.55 | 2 | 2 | 2 | 2 | | 2 | 2 | |
| 87 | Šroub M8x20 Boulon | Schraube Screw | 276 690 | CSN 021151.25 | 4 | 4 | 4 | 4 | | 4 | 4 | |
| 88 | Podložka 18 zink Rondelle | U-Scheibe Washer | 071 254 | CSN 021729 | 4 | 4 | 4 | 4 | | 4 | 4 | |
| 89 | Podložka 9 zink Rondelle | U-Scheibe Washer | 071 226 | CSN 021729 | 4 | 4 | 4 | 4 | | 4 | 4 | |
| 90 | Maticice M8 Écrou | Mutter Nut | 596 142 | CSN 021492.25 | 4 | 4 | 4 | 4 | | 4 | 4 | |
| 109 | Blatník Garde-bove | Kotflügel Fender | E3046 | | 1 | 1 | 1 | - | - | - | - | |
| 109 | Blatník Garde-bove | Kotflügel Fender | E3047 | | - | - | - | 1 | 1 | 1 | 1 | |
| 110 | Šroub M8x20 Boulon | Schraube Screw | 067 291 | CSN 021103.55 | 6 | 6 | 6 | 6 | | 6 | 6 | |
| 111 | Podložka 9 zink Rondelle | U-Scheibe Washer | 071 226 | CSN 021729 | 10 | 10 | 10 | 10 | | 10 | 10 | |
| 112 | Podložka 8 Rondelle | U-Scheibe Washer | 276 721 | CSN 021740.05 | 6 | 6 | 6 | 6 | | 6 | 6 | |
| 113 | Maticice M8 Écrou | Mutter Nut | 069 176 | CSN 021401.25 | 4 | 4 | 4 | 4 | | 4 | 4 | |
| 121 | Miska Couvercle | Schale Pan | E0025 | | 2 | 2 | 2 | 2 | | 2 | 2 | |
| 123 | Pružina 4-E3057 zink Ressort | Feder Spring | 022 346 | | 2 | 2 | 2 | 2 | | 2 | 2 | |
| 124 | Víčko 4-D0658 Couvercle | Kappe Cap | 008 170 | | 2 | 2 | 2 | 2 | | 2 | 2 | |
| 125 | Váleček 4-D0386 Rouleau | Walze Roller | 008 156 | | 4 | 4 | 4 | 4 | | 4 | 4 | |
| 126 | Šroub M8x70 Boulon | Schraube Screw | 120 784 | CSN 021101.55 | 2 | 2 | 2 | 2 | | 2 | 2 | |
| 127 | Podložka 8,4 Rondelle | U-Scheibe Washer | 070 612 | CSN 021702.15 | 4 | 4 | 4 | 4 | | 4 | 4 | |
| 128 | Maticice M8 Écrou | Mutter Nut | 070 084 | CSN 021401.55 | 2 | 2 | 2 | 2 | | 2 | 2 | |
| 131 | Konzola pravá Console | Konsole Console | E0022 | | 1 | 1 | 1 | 1 | | 1 | 1 | |
| 132 | Konzola levá Console | Konsole Console | E0023 | | 1 | 1 | 1 | 1 | | 1 | 1 | |
| 133 | Podložka Rondelle | U-Scheibe Washer | E0026 | | 4 | 4 | 4 | 4 | | 4 | 4 | |
| 135 | Šroub M8x25 Boulon | Schraube Screw | 068 090 | CSN 021143.55 | 4 | 4 | 4 | 4 | | 4 | 4 | |
| 136 | Podložka 8 Rondelle | U-Scheibe Washer | 276 721 | CSN 021740.05 | 4 | 4 | 4 | 4 | | 4 | 4 | |
| 137 | Maticice M8 Écrou | Mutter Nut | 069 176 | CSN 021401.25 | 4 | 4 | 4 | 4 | | 4 | 4 | |
| 141 | Nosič sedačky Support de siège | Traeger Carrier | E0021 | | 1 | 1 | 1 | 1 | | 1 | 1 | |
| 142 | Šroub M8x20 Boulon | Schraube Screw | 067 291 | CSN 021103.55 | 2 | 2 | 2 | 2 | | 2 | 2 | |
| 143 | Podložka 8,4 Rondelle | U-Scheibe Washer | 070 612 | CSN 021702.15 | 4 | 4 | 4 | 4 | | 4 | 4 | |
| 144 | Maticice M8 Écrou | Mutter Nut | 596 142 | CSN 021492.25 | 2 | 2 | 2 | 2 | | 2 | 2 | |
| 145 | Rozpěrka L=4 Cale | Distanzring Spacer | Y0414 | | 2 | 2 | 2 | 2 | | 2 | 2 | |

| 1 | Žací stroj | | Rasentraktor | | MT8-... | | | | | | |
|------|---|--------------------------------|--------------|---------------|----------|----------|----------|----------|----------|----------|----------|
| | C Toudeuse | | Lawn tractor | | 110 | | | | | 112 | |
| 1 | 2 | | 3 | 4 | 22 M1 | 25 M1 | 26 M1 | 28 H1 | 29 H1 | 29 H1 | 49 H1 |
| 146 | Sroub M8x20 Zink Boulon | Schraube Screw | 061 244 | CSN 02 1319 | 4 | 4 | 4 | 4 | 4 | | 4 4 |
| 147 | Sedadlo V560 Siège | Sitz Seat | E0013 | | 1 | 1 | 1 | 1 | 1 | | 1 1 |
| 148 | Maticice M8 Écrou | Mutter Nut | 069 176 | CSN 021401.25 | 4 | 4 | 4 | 4 | 4 | | 4 4 |
| 149 | Spínač sedadlový Commutateur | Schalter Switch | 019 546 | | 1 | 1 | 1 | 1 | 1 | | 1 1 |
| 150 | Podložka 11 Zink Rondelle | U-Scheibe Washer | 071 203 | CSN 021720 | 4 | 4 | 4 | 4 | 4 | | 4 4 |
| 151 | Podložka 8.4 Rondelle | U-Scheibe Washer | 070 812 | CSN 021702.15 | 8 | 8 | 8 | 8 | 8 | | 8 8 |
| 152 | Sroub 5/16"x5/8" BN 67 VZG Boulon | Schraube Screw | 022 766 | UNC 8.8 | 4 | 4 | 4 | 4 | 4 | | 4 4 |
| 153 | Držák Support | Halter Holder | E0015 | | 2 | 2 | 2 | 2 | 2 | | 2 2 |
| 157 | Loketní opěrky 08181 0948 SADA Support | Stuetze Support | 028 932 | | - | - | - | 1 | - | | - 1 |
| 165 | Kapota EUROCRAFT Capot | Haube Hood | E2940 | TYP 1 | 1 | 1 | | | | | |
| 165 | Kapota EUROCRAFT Capot | Haube Hood | E2941 | TYP 1 | - | - | 1 | 1 | 1 | | 1 1 |
| 165a | Kapota WIKOV Capot | Haube Hood | E3820 | TYP 4 | 1 | 1 | - | - | - | | - - |
| 165b | Kapota WIKOV Capot | Haube Hood | E3821 | TYP 4 | - | - | 1 | 1 | 1 | | 1 1 |
| 251 | Elektrovýzbroj Équipement élect. | Elekt. anlage Elekt. systém | E3900 | | 1 | - | - | - | - | | - - |
| 251 | Elektrovýzbroj Équipement élect. | Elekt. anlage Elekt. systém | E3901 | | - | 1 | - | - | - | | - - |
| 251 | Elektrovýzbroj Équipement élect. | Elekt. anlage Elekt. systém | E3902 | | - | - | 1 | - | - | | - - |
| 251 | Elektrovýzbroj Équipement élect. | Elekt. anlage Elekt. systém | E3903 | | - | - | - | 1 | 1 | | 1 - |
| 251 | Elektrovýzbroj Équipement élect. | Elekt. anlage Elekt. systém | E3904 | | - | - | - | - | - | | - 1 |
| 256 | Kryt horní 2-E3226 Couvercle | Deckel Cover | 025 870 | | 1 | 1 | 1 | 1 | 1 | | 1 1 |
| 257 | Kryt spodní 2-E3227 Couvercle | Deckel Cover | 025 664 | | 1 | 1 | 1 | 1 | 1 | | 1 1 |
| 280 | Protiskluzový potah pravý Revêtement | Überzug Coat | E0140 | | 1 | 1 | 1 | 1 | 1 | | 1 1 |
| 281 | Protiskluzový potah levý Revêtement | Überzug Coat | E0139 | | 1 | 1 | 1 | 1 | 1 | | 1 1 |

MT8-110.22M1
MT8-110.25M1
MT8-110.26M1

1D

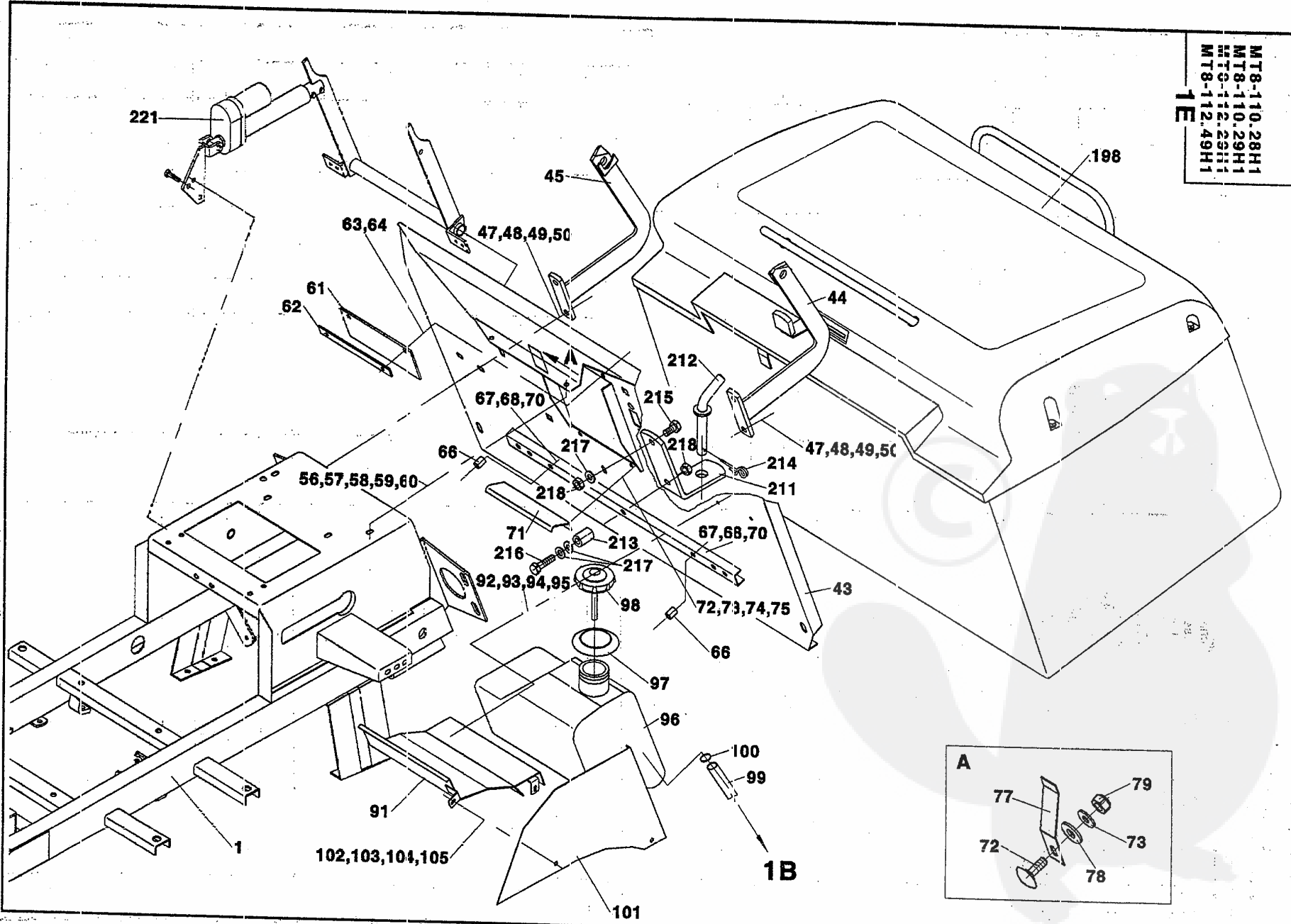


20

| 1 Žací stroj | | Rasentraktor | | MT8-... | | | | | | | |
|--------------|--|----------------------------|---------|---------------|----------|----------|----------|----------|----------|----------|--|
| D Toudeuse | | Lawn tractor | | 110 | | | | 112 | | | |
| 1 | 2 | 3 | 4 | 22 M1 | 25 M1 | 26 M1 | 28 H1 | 29 H1 | 30 H1 | 31 H1 | |
| 1 | Rám Cadre | Rahmen Frame | E2792 | 1 | 1 | 1 | - | - | - | - | |
| 43 | Zadní deska Plaque | Platte Plate | E2892 | 1 | 1 | 1 | - | - | - | - | |
| 45 | Držák zásobníku Support | Halter Holder | E2888 | 2 | 2 | 2 | - | - | - | - | |
| 47 | Šroub M10x30 Boulon | Schraube Screw | 067 354 | CSN 021103.55 | 4 | 4 | 4 | - | - | - | |
| 48 | Podložka Rondelle | U-Scheibe Washer | E3010 | 4 | 4 | 4 | - | - | - | - | |
| 49 | Podložka 10 Rondelle | U-Scheibe Washer | 071 541 | CSN 021740.05 | 4 | 4 | 4 | - | - | - | |
| 50 | Maticice M10 Écrou | Mutter Nut | 070 091 | CSN 021401.55 | 4 | 4 | 4 | - | - | - | |
| 56 | Šroub M8x20 zink Boulon | Schraube Screw | 061 244 | CSN 021319 | 2 | 2 | 2 | - | - | - | |
| 57 | Podložka 10.5 Rondelle | U-Scheibe Washer | 070 504 | CSN 021702.15 | 2 | 2 | 2 | - | - | - | |
| 58 | Podložka 8.4 Rondelle | U-Scheibe Washer | 070 812 | CSN 021702.15 | 2 | 2 | 2 | - | - | - | |
| 59 | Podložka 8 Rondelle | U-Scheibe Washer | 276 721 | CSN 021740.05 | 2 | 2 | 2 | - | - | - | |
| 60 | Maticice M8 Écrou | Mutter Nut | 070 084 | CSN 021401.55 | 2 | 2 | 2 | - | - | - | |
| 61 | Clona Diaphragm | Blende Diaphragm | E0537 | 1 | 1 | 1 | - | - | - | - | |
| 62 | Příložka Cale | Beilage Shim | E0549 | 1 | 1 | 1 | - | - | - | - | |
| 63 | Šroub M6x16 zink Boulon | Schraube Screw | 509 933 | CSN 021319 | 2 | 2 | 2 | - | - | - | |
| 64 | Maticice M6 Écrou | Mutter Nut | 596 275 | CSN 021492.25 | 2 | 2 | 2 | - | - | - | |
| 66 | Rozpěrka L=20 Cale | Spreizte Spacer | Y0203 | 2 | 2 | 2 | - | - | - | - | |
| 67 | Šroub M8x40 Boulon | Schraube Screw | 066 646 | CSN 021101.55 | 2 | 2 | 2 | - | - | - | |
| 68 | Podložka 8.4 Rondelle | U-Scheibe Washer | 070 812 | CSN 021702.15 | 4 | 4 | 4 | - | - | - | |
| 70 | Maticice M6 Écrou | Mutter Nut | 596 142 | CSN 021492.25 | 2 | 2 | 2 | - | - | - | |
| 71 | Kluzák Etanchement | Gleitkupe Slide | E3883 | 1 | 1 | 1 | - | - | - | - | |
| 72 | Šroub M6x16 zink Boulon | Schraube Screw | 509 933 | CSN 021319 | 3 | 3 | 3 | - | - | - | |
| 73 | Podložka 6.4 Rondelle | U-Scheibe Washer | 070 805 | CSN 021702.15 | 3 | 3 | 3 | - | - | - | |
| 74 | Maticice M6 zink Écrou | Mutter Nut | 068 902 | CSN 021665.00 | 2 | 2 | 2 | - | - | - | |
| 75 | Podložka 6.4 Rondelle | U-Scheibe Washer | 070 812 | CSN 021702.15 | 2 | 2 | 2 | - | - | - | |
| 77 | Pružina Ressort | Feder Spring | E3514 | 1 | 1 | 1 | - | - | - | - | |
| 78 | Podložka 9 zink Rondelle | U-Scheibe Washer | 071 226 | CSN 021729 | 1 | 1 | 1 | - | - | - | |
| 79 | Maticice M6 Écrou | Mutter Nut | 596 275 | CSN 021492.25 | 1 | 1 | 1 | - | - | - | |
| 91 | Kryt Couvercle | Deckel Cover | E2963 | 1 | 1 | 1 | - | - | - | - | |
| 92 | Šroub M6x16 Boulon | Schraube Screw | 067 242 | CSN 021103.55 | 2 | 2 | 2 | - | - | - | |
| 93 | Podložka 6.4 Rondelle | U-Scheibe Washer | 070 805 | CSN 021702.15 | 4 | 4 | 4 | - | - | - | |
| 94 | Podložka 6 Rondelle | U-Scheibe Washer | 276 700 | CSN 021740.05 | 2 | 2 | 2 | - | - | - | |
| 95 | Maticice M6 Écrou | Mutter Nut | 069 162 | CSN 021401.25 | 2 | 2 | 2 | - | - | - | |
| 96 | Palivová nádrž Réservoir | Behälter Tank | E2960 | 1 | 1 | 1 | - | - | - | - | |
| 97 | Manžeta 4-E2962 Collar | Manchette Collar | 022 290 | 1 | 1 | 1 | - | - | - | - | |
| 98 | Palivoměr KELCH 9.75" 106945 Compteur | Kraftstoffm. Fuel gauge | 022 612 | 1 | 1 | 1 | - | - | - | - | |
| 99 | Hadice L=1450 Flexiblo vorfler | Schlauch Hose | Y0233 | 1 | 1 | - | - | - | - | - | |

MT8-110, 28H1
MT8-110, 29H1
MT8-112, 29H1
MT8-112, 49H1

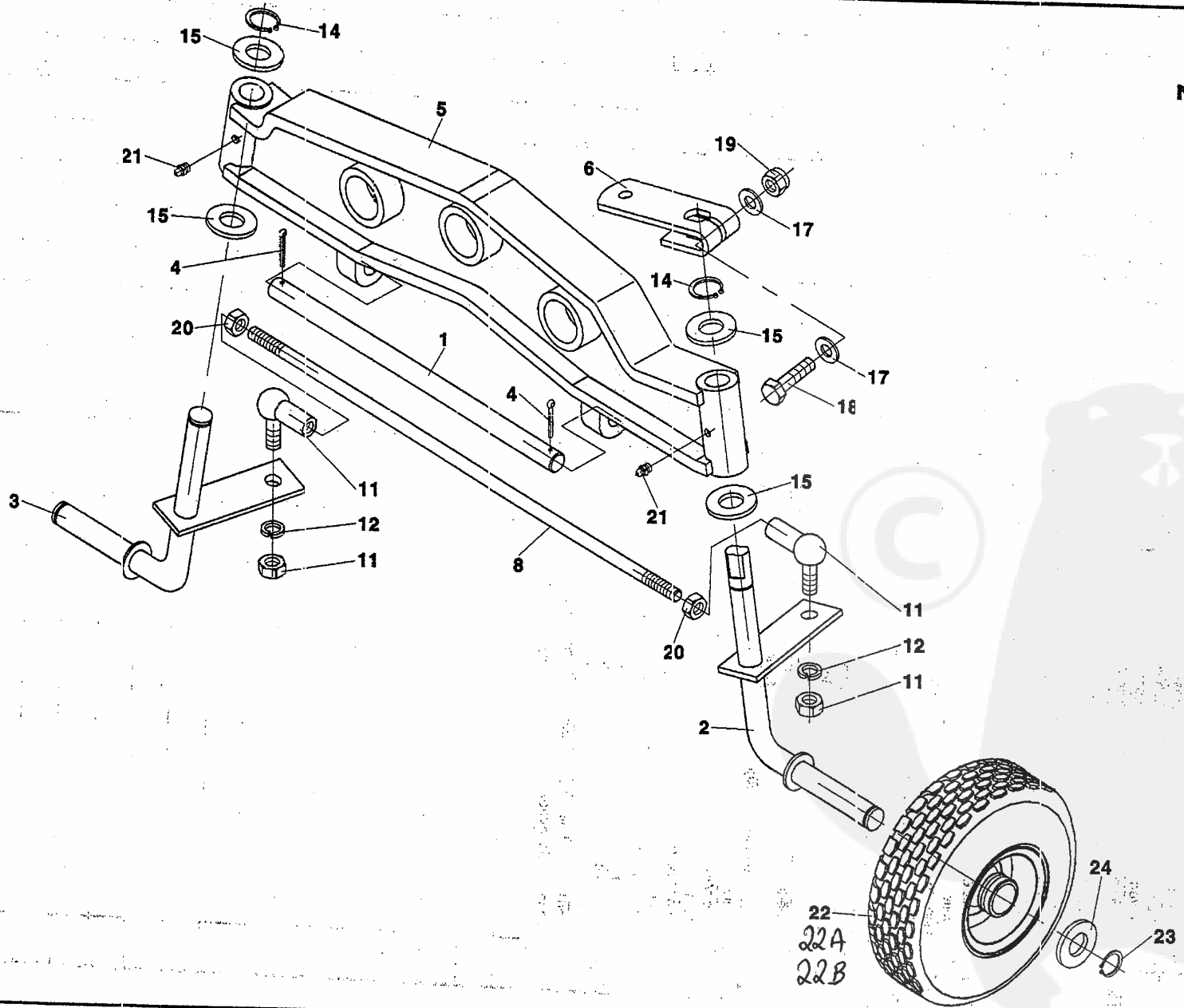
1E



| 1 Žací stroj | | Rasentraktor | | | MT8-... | | | | | | | |
|--------------|--|----------------------------|---------|---------------|----------|----------|----------|----------|----------|----------|---|---|
| E Toudeuse | | Lawn tractor | | | 110 | | | | 112 | | | |
| 1 | 2 | 3 | 4 | 22 M1 | 25 M1 | 26 M1 | 23 H1 | 29 H1 | 29 H1 | 49 H1 | | |
| 1 | Rám Cadre | Fahmen Frame | E2792 | - | - | - | 1 | 1 | | 1 | 1 | |
| 43 | Zadní deska Plaque | Platte Plate | E3515 | - | - | - | 1 | 1 | | 1 | 1 | |
| 44 | Držák zásobníku levý Support | Halter Holder | E3350 | - | - | - | 1 | 1 | | 1 | 1 | |
| 45 | Držák zásobníku pravý Support | Halter Holder | E3351 | - | - | - | 1 | 1 | | 1 | 1 | |
| 47 | Šroub M10x30 Boulon | Schraube Screw | 067 354 | CSN 021103.55 | - | - | - | 4 | 4 | | 4 | 4 |
| 48 | Podložka Rondelle | U-Scheibe Washer | E3019 | | - | - | - | 4 | 4 | | 4 | 4 |
| 49 | Podložka 10 Rondelle | U-Scheibe Washer | 071 541 | CSN 021740.05 | - | - | - | 4 | 4 | | 4 | 4 |
| 50 | Maticice M10 Écrou | Mutter Nut | 070 091 | CSN 021401.55 | - | - | - | 4 | 4 | | 4 | 4 |
| 56 | Šroub M8x20 zink Boulon | Schraube Screw | 061 244 | CSN 021319 | - | - | - | 2 | 2 | | 2 | 2 |
| 57 | Podložka 10,5 Rondelle | U-Scheibe Washer | 070 504 | CSN 021702.15 | - | - | - | 2 | 2 | | 2 | 2 |
| 58 | Podložka 8,4 Rondelle | U-Scheibe Washer | 070 812 | CSN 021702.15 | - | - | - | 2 | 2 | | 2 | 2 |
| 59 | Podložka 8 Rondelle | U-Scheibe Washer | 276 721 | CSN 021740.05 | - | - | - | 2 | 2 | | 2 | 2 |
| 60 | Maticice M8 Écrou | Mutter Nut | 070 084 | CSN 021401.55 | - | - | - | 2 | 2 | | 2 | 2 |
| 61 | Clona Diaphragm | Blende Diaphragm | E0537 | | - | - | - | 1 | 1 | | 1 | 1 |
| 62 | Příložka Cale | Beilage Shim | E0549 | | - | - | - | 1 | 1 | | 1 | 1 |
| 63 | Šroub M6x16 zink Boulon | Schraube Screw | 509 933 | CSN 021319 | - | - | - | 2 | 2 | | 2 | 2 |
| 64 | Maticice M6 Écrou | Mutter Nut | 596 275 | CSN 021492.25 | - | - | - | 2 | 2 | | 2 | 2 |
| 66 | Rozpěrka L=20 Cale | Spreizze Spacer | Y0203 | | - | - | - | 2 | 2 | | 2 | 2 |
| 67 | Šroub M8x40 Boulon | Schraube Screw | 066 646 | CSN 021101.55 | - | - | - | 2 | 2 | | 2 | 2 |
| 68 | Podložka 8,4 Rondelle | U-Scheibe Washer | 070 812 | CSN 021702.15 | - | - | - | 4 | 4 | | 4 | 4 |
| 70 | Maticice M8 Écrou | Mutter Nut | 596 142 | CSN 021492.25 | - | - | - | 2 | 2 | | 2 | 2 |
| 71 | Kluzák Etanchement | Gleitkupe Slide | E3883 | | - | - | - | 1 | 1 | | 1 | 1 |
| 72 | Šroub M6x16 zink Boulon | Schraube Screw | 509 933 | CSN 021329 | - | - | - | 3 | 3 | | 3 | 3 |
| 73 | Podložka 6,4 Rondelle | U-Scheibe Washer | 070 805 | CSN 021702.15 | - | - | - | 3 | 3 | | 3 | 3 |
| 74 | Maticice M6 zink Écrou | Mutter Nut | 068 902 | CSN 021665.00 | - | - | - | 2 | 2 | | 2 | 2 |
| 75 | Podložka 8,4 Rondelle | U-Scheibe Washer | 070 812 | CSN 021702.15 | - | - | - | 2 | 2 | | 2 | 2 |
| 77 | Pružina Ressort | Feder Spring | E3514 | | - | - | - | 1 | 1 | | 1 | 1 |
| 78 | Podložka 9 zink Rondelle | U-Scheibe Washer | 071 226 | CSN 021729 | - | - | - | 1 | 1 | | 1 | 1 |
| 79 | Maticice M6 Écrou | Mutter Nut | 596 275 | CSN 021492.25 | - | - | - | 1 | 1 | | 1 | 1 |
| 91 | Kryt Couvercle | Deckel Cover | E2963 | | - | - | - | 1 | 1 | | 1 | 1 |
| 92 | Šroub M6x16 Boulon | Schraube Screw | 067 242 | CSN 021103.55 | - | - | - | 2 | 2 | | 2 | 2 |
| 93 | Podložka 6,4 Rondelle | U-Scheibe Washer | 070 805 | CSN 021702.15 | - | - | - | 4 | 4 | | 4 | 4 |
| 94 | Podložka 6 Rondelle | U-Scheibe Washer | 276 700 | CSN 021740.05 | - | - | - | 2 | 2 | | 2 | 2 |
| 95 | Maticice M6 Écrou | Mutter Nut | 069 162 | CSN 021401.25 | - | - | - | 2 | 2 | | 2 | 2 |
| 96 | Palivová nádrž Réservoir | Behälter Tank | E2960 | | - | - | - | 1 | 1 | | 1 | 1 |
| 97 | Manžeta 4-E2962 Collar | Manschette Collar | 022 290 | | - | - | - | 1 | 1 | | 1 | 1 |
| 98 | Palivoměr KELCH 9.75° 106945 Compteur | Kraftstoffm. Fuel gauge | 022 612 | | - | - | - | 1 | 1 | | 1 | 1 |

MT8-110.22M1
 MT8-110.25M1
 MT8-110.26M1
 MT8-110.28H1
 MT8-110.29H1
 MT8-112.29H1
 MT8-112.49H1

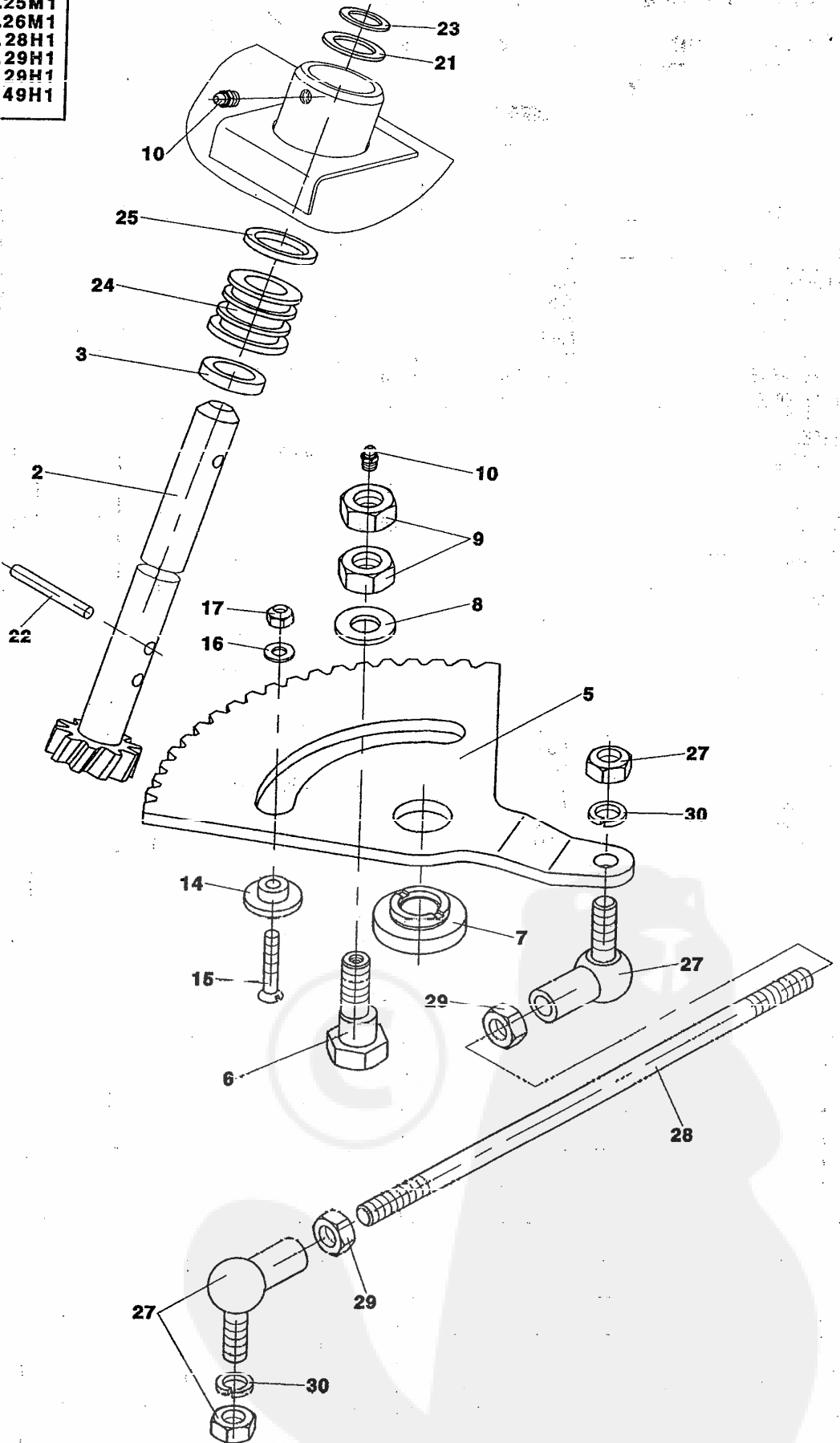
2



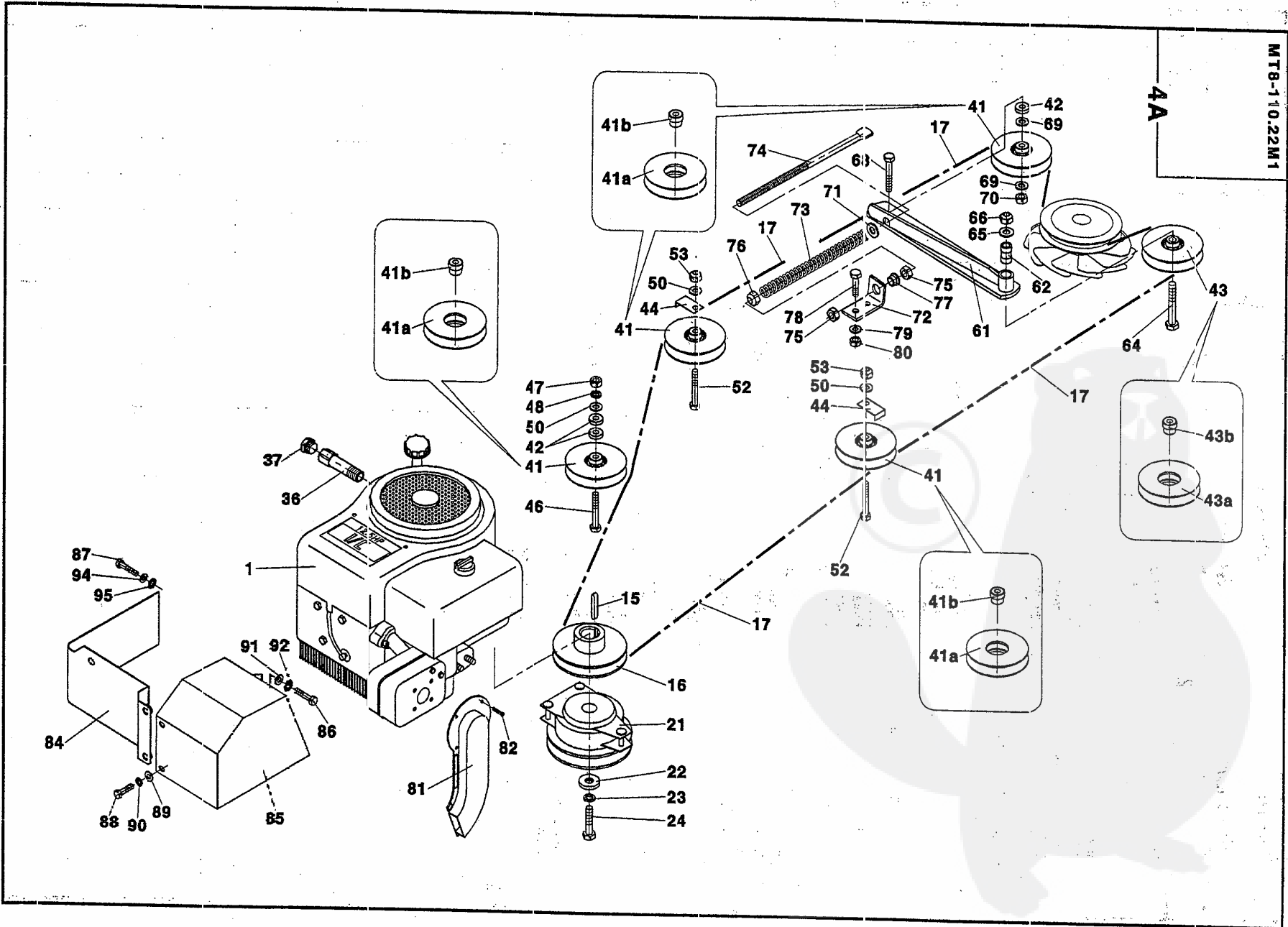
22
 22A
 22B

MT8-110.22M1
MT8-110.25M1
MT8-110.26M1
MT8-110.28H1
MT8-110.29H1
MT8-112.29H1
MT8-112.49H1

3

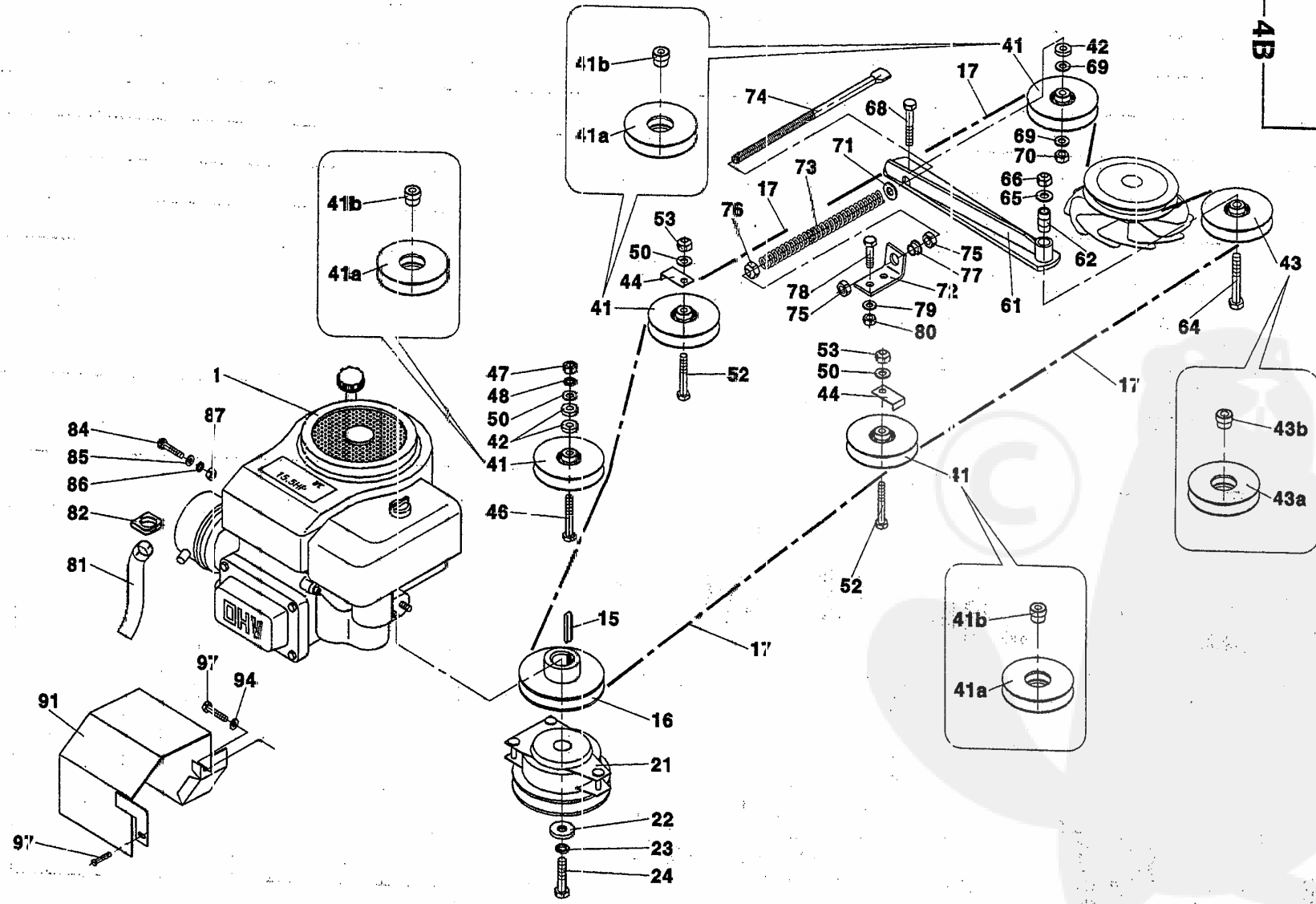


4A



| 4 Náhon pojezdu Buhne | | | | MT8-... | | | | | | |
|-----------------------|---|------------------------|---------|----------|----------|----------|----------|----------|----------|----------|
| A Transmission Drive | | | | 110 | | | 112 | | | |
| 1 | 2 | 3 | 4 | 22 M1 | 25 M1 | 26 M1 | 28 H1 | 29 H1 | 36 H1 | 39 H1 |
| - | Náhon pojezdu Transmission | Buhne Drive | E3840 | 1 | - | - | - | - | - | - |
| 1 | Motor Briggs 12.5 HP Moteur | Motor Engine | 022 640 | 1 | - | - | - | - | - | - |
| 15 | Pero Ressort | Feder Feather | E2999 | 1 | - | - | - | - | - | - |
| 16 | Řemenice motoru Poulie | Riemencheibe Pulley | E3855 | 1 | - | - | - | - | - | - |
| 17 | Řemen AA129 Courroie | Riemen Belt | 022 601 | 1 | - | - | - | - | - | - |
| 21 | Spojka elmag. MA-GT-JD11 509 Embrayage | Kupplung Coupling | 017 570 | 1 | - | - | - | - | - | - |
| 22 | Podložka Rondelle | Unterlage Washer | E3019 | 1 | - | - | - | - | - | - |
| 23 | Podložka 12 Rondelle | Unterlage Washer | 071 555 | 1 | - | - | - | - | - | - |
| 24 | Šroub 7/16"x2 1/2" 4-E0713 Vis | Schraube Screw | 019 154 | 1 | - | - | - | - | - | - |
| 36 | Trubka Tube | Rohr Tube | E3059 | 1 | - | - | - | - | - | - |
| 37 | Zátka ASTP 3/8"-18z/1" Bouchon | Stopfen Plug | | 1 | - | - | - | - | - | - |
| 41 | Kladka Galet | Rolle Roller | E3001 | 4 | - | - | - | - | - | - |
| 41a | Kladka V3560 - 3585 Galet | Rolle Roller | 024 882 | 1 | - | - | - | - | - | - |
| 41b | Vložka Pièce d'insertion | Einlage Insert | E3003 | 1 | - | - | - | - | - | - |
| 42 | Distanční trubka Tube | Rohr Tube | E0712 | 3 | - | - | - | - | - | - |
| 43 | Kladka Galet | Rolle Roller | E3002 | 1 | - | - | - | - | - | - |
| 43a | Kladka V3560 - 3585 Galet | Rolle Roller | 024 882 | 1 | - | - | - | - | - | - |
| 43b | Vložka Pièce d'insertion | Einlage Insert | E3004 | 1 | - | - | - | - | - | - |
| 44 | Opěrka Boîte | Stuetze Support | E2985 | 2 | - | - | - | - | - | - |
| 46 | Šroub M6x50 Vis | Schraube Screw | 066 660 | 1 | - | - | - | - | - | - |
| 47 | Maticice M8 Écrou | Mutter Nut | 070 084 | 1 | - | - | - | - | - | - |
| 48 | Podložka 8 Rondelle | Unterlage Washer | 276 721 | 1 | - | - | - | - | - | - |
| 50 | Podložka 9 zink Rondelle | Unterlage Washer | 071 226 | 5 | - | - | - | - | - | - |
| 52 | Šroub M8x40 Vis | Schraube Screw | 066 646 | 2 | - | - | - | - | - | - |
| 59 | Maticice M6 Écrou | Mutter Nut | 596 142 | 3 | - | - | - | - | - | - |
| 61 | Rameno Bras | Arm Arm | E3843 | 1 | - | - | - | - | - | - |
| 62 | Rozpěrka Cale | Spreitze Spacer | E2998 | 1 | - | - | - | - | - | - |
| 64 | Šroub M10x70 Vis | Schraube Screw | 688 165 | 1 | - | - | - | - | - | - |
| 65 | Podložka 10.5 Rondelle | Unterlage Washer | 070 504 | 4 | - | - | - | - | - | - |
| 66 | Maticice M10 Écrou | Mutter Nut | 596 163 | 1 | - | - | - | - | - | - |
| 68 | Šroub M8x45 Vis | Schraube Screw | 066 653 | 1 | - | - | - | - | - | - |
| 69 | Podložka 9 zink Rondelle | Unterlage Washer | 071 226 | 2 | - | - | - | - | - | - |
| 70 | Maticice M8 Écrou | Mutter Nut | 596 142 | 1 | - | - | - | - | - | - |
| 71 | Podložka 10.5 Rondelle | Unterlage Washer | 070 504 | 1 | - | - | - | - | - | - |
| 72 | Opěrka Boîte | Stuetze Support | E3852 | 1 | - | - | - | - | - | - |
| 73 | Pružina 4-E3842 zink Ressort | Feder Spring | 028 022 | 1 | - | - | - | - | - | - |
| 74 | Vzpěra Travers | Diagonale Bar | E3848 | 1 | - | - | - | - | - | - |

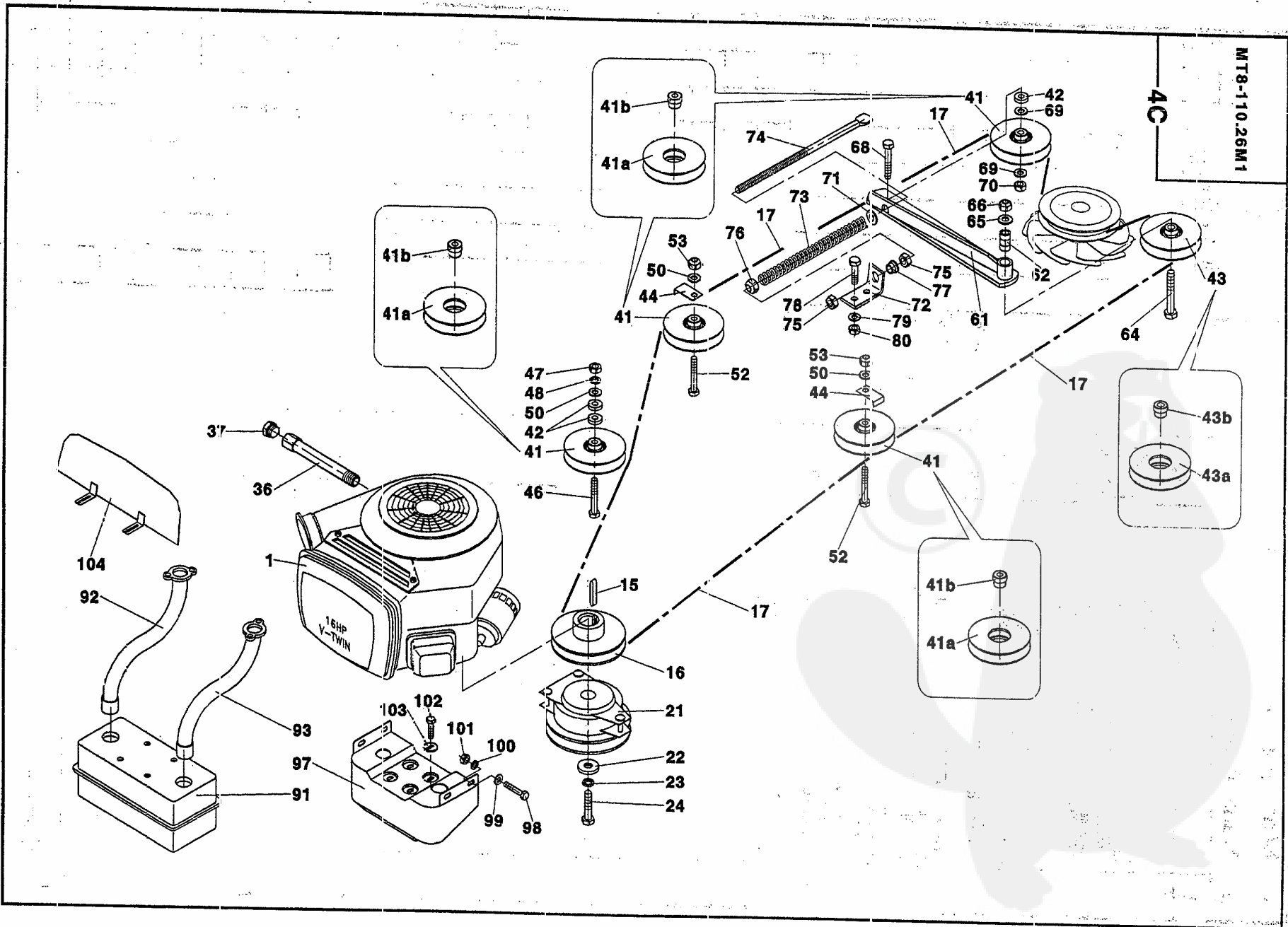
4B



| 4 Náhon pojezdu | | | | Buhne | | MT8-... | | | | | |
|-----------------|---|------------------------|---------|---------------|-----------|-----------|-----------|-----------|-----------|-----------|-----------|
| B Transmission | | | | Drive | | 110 | | | | 112 | |
| 1 | 2 | | 3 | 4 | .22 M1 | .25 M1 | .26 M1 | .28 H1 | .29 H1 | .30 H1 | .31 H1 |
| - | Náhon pojezdu Transmission | Buhne Drive | E3835 | | - | 1 | - | - | - | - | - |
| 1 | Motor Briggs 15.5 HP Moteur | Motor Engine | 022 920 | | - | 1 | - | - | - | - | - |
| 15 | Pero Ressort | Feder Feather | E2999 | | - | 1 | - | - | - | - | - |
| 16 | Remenice motoru Poulie | Riemencheibe Pulley | E3855 | | - | 1 | - | - | - | - | - |
| 17 | Remen AA 126 Courroie | Riemen Belt | 022 661 | | - | 1 | - | - | - | - | - |
| 21 | Spojka elmag. MA-GT-JD11 509 Embrayage | Kupplung Coupling | 017 570 | | - | 1 | - | - | - | - | - |
| 22 | Podložka Rondelle | Unterlage Washer | E3019 | | - | 1 | - | - | - | - | - |
| 23 | Podložka 12 Rondelle | Unterlage Washer | 071 555 | CSN 021740.05 | - | 1 | - | - | - | - | - |
| 24 | Sroub 7/16"x2 1/2" 4-E0713 Vis | Schraube Screw | 019 154 | | - | 1 | - | - | - | - | - |
| 41 | Kladka Galet | Rolle Roller | E3001 | | - | 4 | - | - | - | - | - |
| 41a | Kladka V3560 - 3585 Galet | Rolle Roller | 024 882 | | - | 1 | - | - | - | - | - |
| 41b | Vložka Pièce d'insertion | Einlage Insert | E3003 | | - | 1 | - | - | - | - | - |
| 42 | Distanční trubka Tube | Rohr Tube | E0712 | | - | 3 | - | - | - | - | - |
| 43 | Kladka Galet | Rolle Roller | E3002 | | - | 1 | - | - | - | - | - |
| 43a | Kladka V3560 - 3585 Galet | Rolle Roller | 024 882 | | - | 1 | - | - | - | - | - |
| 43b | Vložka Pièce d'insertion | Einlage Insert | E3004 | | - | 1 | - | - | - | - | - |
| 44 | Opěrka Boîte | Stuetze Support | E2985 | | - | 2 | - | - | - | - | - |
| 46 | Sroub M8x50 Vis | Schraube Screw | 066 660 | CSN 021101.55 | - | 1 | - | - | - | - | - |
| 47 | Maticice M8 Écrou | Mutter Nut | 070 084 | CSN 021401.55 | - | 1 | - | - | - | - | - |
| 48 | Podložka 8 Rondelle | Unterlage Washer | 276 721 | CSN 021740.05 | - | 1 | - | - | - | - | - |
| 50 | Podložka 9 zink Rondelle | Unterlage Washer | 071 226 | CSN 021729 | - | 5 | - | - | - | - | - |
| 52 | Sroub M8x40 Vis | Schraube Screw | 066 646 | CSN 021101.55 | - | 2 | - | - | - | - | - |
| 53 | Maticice M8 Écrou | Mutter Nut | 596 142 | CSN 021492.25 | - | 3 | - | - | - | - | - |
| 61 | Rameno Bras | Arm Arm | E3843 | | - | 1 | - | - | - | - | - |
| 62 | Hozperka Cale | Spreitze Spacer | E2998 | | - | 1 | - | - | - | - | - |
| 64 | Sroub M10x70 Vis | Schraube Screw | 688 165 | CSN 021101.55 | - | 1 | - | - | - | - | - |
| 65 | Podložka 10.5 Rondelle | Unterlage Washer | 070 504 | CSN 021702.15 | - | 2 | - | - | - | - | - |
| 66 | Maticice M10 Écrou | Mutter Nut | 596 163 | CSN 021492.25 | - | 1 | - | - | - | - | - |
| 68 | Sroub M8x45 Vis | Schraube Screw | 066 653 | CSN 021101.55 | - | 1 | - | - | - | - | - |
| 69 | Podložka 9 zink Rondelle | Unterlage Washer | 071 226 | CSN 021729 | - | 2 | - | - | - | - | - |
| 70 | Maticice M8 Écrou | Mutter Nut | 596 142 | CSN 021492.25 | - | 1 | - | - | - | - | - |
| 71 | Podložka 10.5 Rondelle | Unterlage Washer | 070 504 | CSN 021702.15 | - | 1 | - | - | - | - | - |
| 72 | Opěrka Boîte | Stuetze Support | E3852 | | - | 1 | - | - | - | - | - |
| 73 | Pružina 4-E3842 zink Ressort | Feder Spring | 028 022 | | - | 1 | - | - | - | - | - |
| 74 | Vzpěra Travers | Diagonale Bar | E3848 | | - | 1 | - | - | - | - | - |
| 75 | Maticice M10 Écrou | Mutter Nut | 069 456 | CSN 021403.25 | - | 2 | - | - | - | - | - |
| 76 | Maticice M10 Écrou | Mutter Nut | 596 163 | CSN 021492.25 | - | 1 | - | - | - | - | - |

MT8-110.26M1

4C

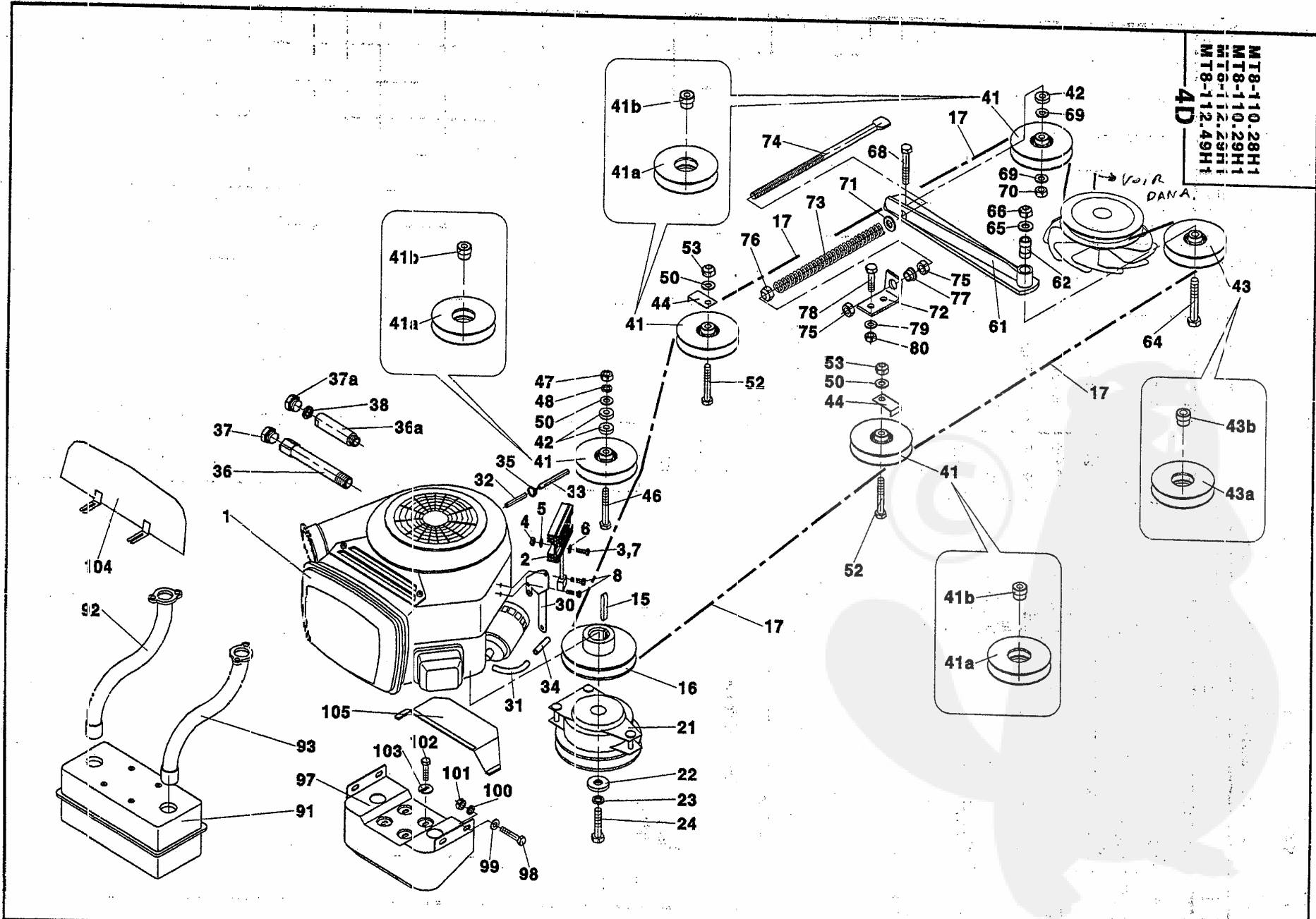


| 4 Náhon pojezdu | | | | Buhne | | MT8-... | | | | | | |
|-----------------|---|------------------------|--|---------|---------------|-----------|-----------|-----------|-----------|-----------|-----------|-----------|
| C Transmission | | | | Drive | | 110 | | | | | 112 | |
| 1 | 2 | | | 3 | 4 | .22 MI | .25 MI | .26 MI | .28 FI | .29 FI | .29 FI | .49 FI |
| - | Náhon pojezdu Transmission | Buhne Drive | | E3836 | | - | - | 1 | - | - | - | - |
| 1 | Motor Briggs 16 HP Moteur | Motor Engine | | 023 061 | | - | - | 1 | - | - | - | - |
| 15 | Pero Ressort | Feder Feather | | E3000 | | - | - | 1 | - | - | - | - |
| 16 | Remenice motoru Poulie | Riemencheibe Pulley | | E3855 | | - | - | 1 | - | - | - | - |
| 17 | Remen AA128 Courroie | Riemen Belt | | 022 661 | | - | - | 1 | - | - | - | - |
| 21 | Spojka elmag. MA-GT-JD11 509 Embrayage | Kupplung Coupling | | 017 570 | | - | - | 1 | - | - | - | - |
| 22 | Podložka Rondelle | Unterlage Washer | | E3019 | | - | - | 1 | - | - | - | - |
| 23 | Podložka 12 Rondelle | Unterlage Washer | | 071 555 | CSN 021740.05 | - | - | 1 | - | - | - | - |
| 24 | Šroub 7/16"x2 1/2" 4-E0713 Vis | Schraube Screw | | 019 154 | | - | - | 1 | - | - | - | - |
| 36 | Trubka Tube | Rohr Tube | | D3637 | | - | - | 1 | - | - | - | - |
| 37 | Zátka ASTP 3/8" - 18z/1" Bouchon | Stopfen Plug | | | BRIGGS 94239 | - | - | 1 | - | - | - | - |
| 41 | Kladka Galet | Rolle Roller | | E3001 | | - | - | 4 | - | - | - | - |
| 41a | Kladka V3560 - 3585 Galet | Rolle Roller | | 024 882 | | - | - | 1 | - | - | - | - |
| 41b | Vložka Pièce d'insertion | Einlage Insert | | E3003 | | - | - | 1 | - | - | - | - |
| 42 | Distanční trubka Tube | Rohr Tube | | E0712 | | - | - | 3 | - | - | - | - |
| 43 | Kladka Galet | Rolle Roller | | E3002 | | - | - | 1 | - | - | - | - |
| 43a | Kladka V3560 - 3585 Galet | Rolle Roller | | 024 882 | | - | - | 1 | - | - | - | - |
| 43b | Vložka Pièce d'insertion | Einlage Insert | | E3004 | | - | - | 1 | - | - | - | - |
| 44 | Opěrka Boite | Stuetze Support | | E2985 | | - | - | 2 | - | - | - | - |
| 46 | Šroub M8x50 Vis | Schraube Screw | | 066 660 | CSN 021101.55 | - | - | 1 | - | - | - | - |
| 47 | Maticice M8 Écrou | Mutter Nut | | 070 084 | CSN 021401.55 | - | - | 1 | - | - | - | - |
| 48 | Podložka 8 Rondelle | Unterlage Washer | | 276 721 | CSN 021740.05 | - | - | 1 | - | - | - | - |
| 50 | Podložka 9 zink Rondelle | Unterlage Washer | | 071 226 | CSN 021729 | - | - | 5 | - | - | - | - |
| 52 | Šroub M8x40 Vis | Schraube Screw | | 066 646 | CSN 021101.55 | - | - | 2 | - | - | - | - |
| 53 | Maticice M8 Écrou | Mutter Nut | | 596 142 | CSN 021492.25 | - | - | 3 | - | - | - | - |
| 61 | Rameno Bras | Arm Arm | | E3843 | | - | - | 1 | - | - | - | - |
| 62 | Rozpěrka Cale | Spreitze Spacer | | E2998 | | - | - | 1 | - | - | - | - |
| 64 | Šroub M10x70 Vis | Schraube Screw | | 688 165 | CSN 021101.55 | - | - | 1 | - | - | - | - |
| 65 | Podložka 10.5 Rondelle | Unterlage Washer | | 070 504 | CSN 021702.15 | - | - | 4 | - | - | - | - |
| 66 | Maticice M10 Écrou | Mutter Nut | | 596 163 | CSN 021492.25 | - | - | 1 | - | - | - | - |
| 68 | Šroub M8x45 Vis | Schraube Screw | | 066 653 | CSN 021101.55 | - | - | 1 | - | - | - | - |
| 69 | Podložka 9 zink Rondelle | Unterlage Washer | | 071 226 | CSN 021729 | - | - | 2 | - | - | - | - |
| 70 | Maticice M8 Écrou | Mutter Nut | | 596 142 | CSN 021492.25 | - | - | 1 | - | - | - | - |
| 71 | Podložka 10.5 Rondelle | Unterlage Washer | | 070 504 | CSN 021702.15 | - | - | 1 | - | - | - | - |
| 72 | Opěrka Boite | Stuetze Support | | E3852 | | - | - | 1 | - | - | - | - |
| 73 | Pružina 4-E3842 zink Ressort | Feder Spring | | 028 022 | | - | - | 1 | - | - | - | - |
| 74 | Vzpěra Travers | Diagonale Bar | | E3848 | | - | - | 1 | - | - | - | - |

MT8-110.26H1
 MT8-110.29H1
 MT8-112.29H1
 MT8-112.49H1

4D

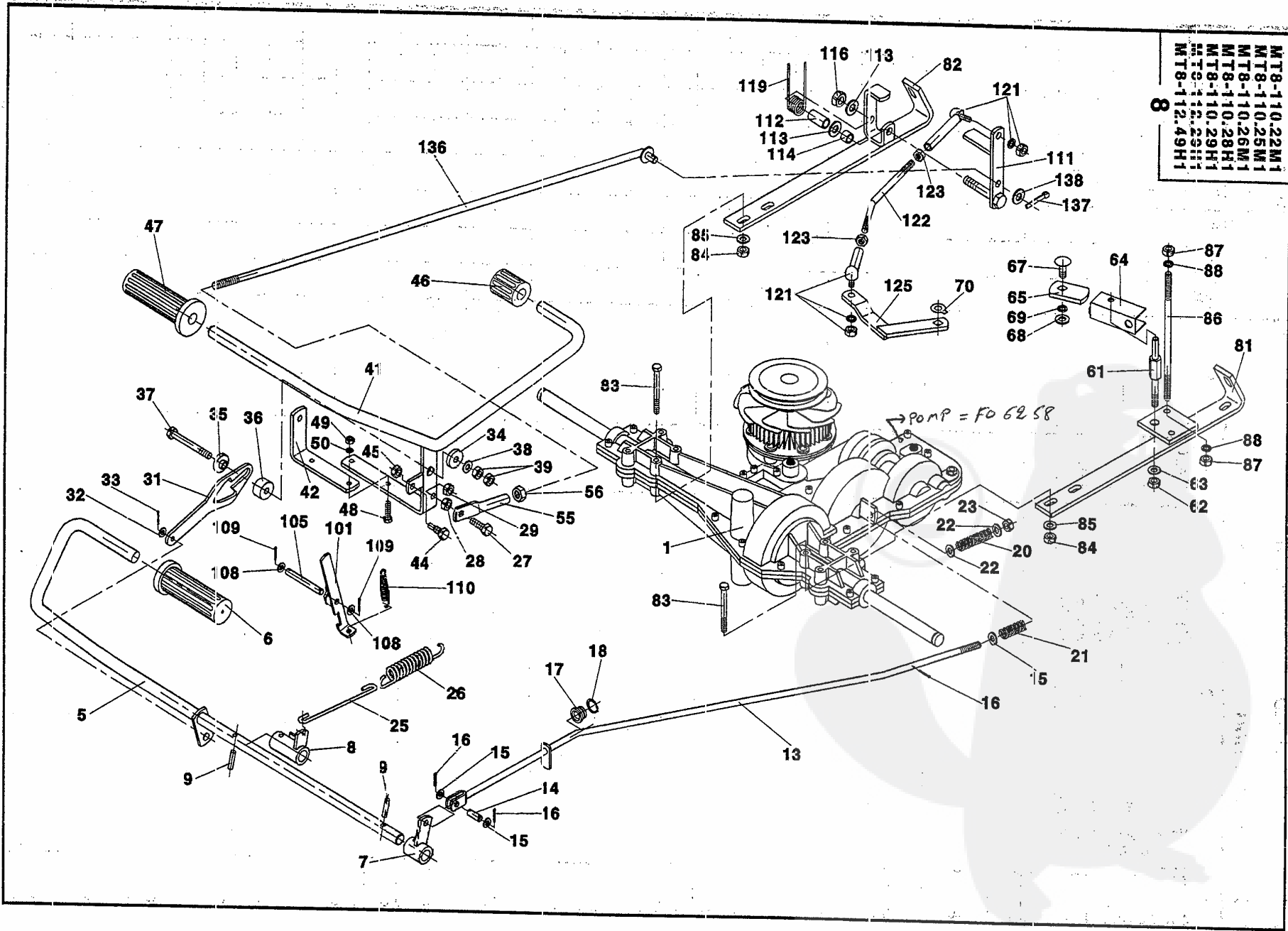
Voir
 DANA.



| 4 Náhon pojezdu | | | | Buhne | | MT8-... | | | | | | |
|-----------------|------------------------------|--------------|---------|---------------|---|---------|----|----|----|-----|----|----|
| D Transmission | | | | Drive | | 110 | | | | 112 | | |
| 1 | 2 | | | 3 | 4 | 22 | 25 | 26 | 23 | 29 | 29 | 49 |
| | | | | | | M1 | M1 | M1 | H1 | H1 | H1 | H1 |
| - | Náhon pojezdu | Buhne | E3837 | | | - | - | - | 1 | - | - | - |
| - | Transmission | Drive | | | | - | - | - | - | 1 | - | - |
| - | Náhon pojezdu | Buhne | E3839 | | | - | - | - | - | 1 | - | - |
| - | Transmission | Drive | | | | - | - | - | - | - | 1 | - |
| - | Náhon pojezdu | Buhne | E3838 | | | - | - | - | - | - | - | 1 |
| - | Transmission | Drive | | | | - | - | - | - | - | - | 1 |
| 1 | Motor Briggs 20 HP | Motor | 023 082 | | | - | - | - | - | 1 | - | - |
| | Moteur | Engine | | | | - | - | - | - | - | 1 | - |
| 1a | Motor Briggs 18 HP | Motor | 027 363 | | | - | - | - | 1 | - | - | - |
| | Moteur | Engine | | | | - | - | - | - | - | - | - |
| 1b | Motor Honda 20 HP | Motor | 026 823 | | | - | - | - | - | - | - | 1 |
| | Moteur | Engine | | | | - | - | - | - | - | - | 1 |
| 2 | Svazek motoru Honda | Buendel | E3651 | | | - | - | - | - | - | - | 1 |
| | Faisceau de moteur | Bundle | | | | - | - | - | - | - | - | 1 |
| 3 | Sroub M6x45 | Schraube | 293 973 | CSN 021101.15 | | - | - | - | - | - | - | 1 |
| | Vis | Screw | | | | - | - | - | - | - | - | 1 |
| 4 | Matice M6 | Mutter | 069 162 | CSN 021401.25 | | - | - | - | - | - | - | 2 |
| | Écrou | Nut | | | | - | - | - | - | - | - | 2 |
| 5 | Podložka 6 | Unterlage | 276 700 | CSN 021740.05 | | - | - | - | - | - | - | 2 |
| | Rondelle | Washer | | | | - | - | - | - | - | - | 2 |
| 6 | Podložka 6,4 | Unterlage | 071 002 | CSN 021726.05 | | - | - | - | - | - | - | 2 |
| | Rondelle | Washer | | | | - | - | - | - | - | - | 2 |
| 7 | Sroub M6x50 | Schraube | 680 765 | CSN 021101.15 | | - | - | - | - | - | - | 1 |
| | Vis | Screw | | | | - | - | - | - | - | - | 1 |
| 8 | Sroub M6x20 | Schraube | 431 736 | CSN 021103.55 | | - | - | - | - | - | - | 2 |
| | Vis | Screw | | | | - | - | - | - | - | - | 2 |
| 15 | Pero | Feder | E3000 | | | - | - | - | 1 | 1 | - | 1 |
| | Ressort | Feather | | | | - | - | - | - | - | 1 | 1 |
| 16 | Remenice motoru | Riemencheibe | E3855 | | | - | - | - | 1 | 1 | - | 1 |
| | Poulie | Pulley | | | | - | - | - | - | - | 1 | 1 |
| 17 | Remen AA128 | Riemen | 022 661 | | | - | - | - | 1 | 1 | - | 1 |
| | Courroie | Belt | | | | - | - | - | - | - | 1 | 1 |
| 21 | Spojka elmag. MA-GT-JD11 509 | Kupplung | 017 570 | | | - | - | - | 1 | 1 | - | 1 |
| | Embrayage | Coupling | | | | - | - | - | - | - | 1 | 1 |
| 22 | Podložka | Unterlage | E3019 | | | - | - | - | 1 | 1 | - | 1 |
| | Rondelle | Washer | | | | - | - | - | - | - | 1 | 1 |
| 23 | Podložka 12 | Unterlage | 071 555 | CSN 021740.05 | | - | - | - | 1 | 1 | - | 1 |
| | Rondelle | Washer | | | | - | - | - | - | - | 1 | 1 |
| 24 | Sroub 7/16"x2 1/2" 4-E0713 | Schraube | 019 154 | | | - | - | - | 1 | 1 | - | 1 |
| | Vis | Screw | | | | - | - | - | - | - | 1 | 1 |
| 30 | Držák | Holder | E3654 | | | - | - | - | - | - | - | 1 |
| | Support de siège | Halter | | | | - | - | - | - | - | - | 1 |
| 31 | Koleno | Bogen | E3653 | | | - | - | - | - | - | - | 1 |
| | Main courante | Bend | | | | - | - | - | - | - | - | 1 |
| 32 | Trubka | Rohr | D3310 | | | - | - | - | - | - | - | 1 |
| | Tube | Tube | | | | - | - | - | - | - | - | 1 |
| 33 | Hadice L=80 | Schlauch | Y0432 | | | - | - | - | - | - | - | 1 |
| | Flexible verifier | Hose | | | | - | - | - | - | - | - | 1 |
| 34 | Hadice L=40 | Schlauch | Y0433 | | | - | - | - | - | - | - | 1 |
| | Flexible verifier | Hose | | | | - | - | - | - | - | - | 1 |
| 35 | Hadicová spona UM5008-200 | Schelle | 025 632 | | | - | - | - | - | - | - | 4 |
| | Agrafe | Clip | | | | - | - | - | - | - | - | 4 |
| 36 | Trubka | Rohr | D3637 | | | - | - | - | 1 | 1 | - | 1 |
| | Tube | Tube | | | | - | - | - | - | - | 1 | - |
| 36a | Trubka | Rohr | E3648 | | | - | - | - | - | - | - | 1 |
| | Tube | Tube | | | | - | - | - | - | - | - | 1 |
| 37 | Zátka ASTP 3/8"-18z/1" | Stopfen | | BRIGGS 94239 | | - | - | - | 1 | 1 | - | 1 |
| | Bouchon | Plug | | | | - | - | - | - | - | - | 1 |
| 37a | Zátka M20x1.5 | Stopfen | | HONDA | | - | - | - | - | - | - | 1 |
| | Bouchon | Plug | | 92800-20000 | | - | - | - | - | - | - | 1 |
| 38 | Těsnící kroužek 20x26x1.5 | Ring | 088 173 | | | - | - | - | - | - | - | 1 |
| | Bague | Ring | | | | - | - | - | - | - | - | 1 |
| 41 | Kladka | Rolle | E3001 | | | - | - | - | 4 | 4 | - | 4 |
| | Galet | Roller | | | | - | - | - | - | - | 4 | 4 |
| 41a | Kladka v 3560 - 3585 | Rolle | 024 882 | | | - | - | - | 1 | 1 | - | 1 |
| | Galet | Roller | | | | - | - | - | - | - | 1 | 1 |
| 41b | Vložka | Einlage | E3003 | | | - | - | - | 1 | 1 | - | 1 |
| | Pièce d'insertion | insert | | | | - | - | - | - | - | 1 | 1 |
| 42 | Distanční trubka | Rohr | F0712 | | | - | - | - | 3 | 3 | - | 3 |
| | Tube | Tube | | | | - | - | - | - | - | 3 | 3 |
| 43 | Kladka | Rolle | E3002 | | | - | - | - | 1 | 1 | - | 1 |
| | Galet | Roller | | | | - | - | - | - | - | 1 | 1 |
| 43a | Kladka v 3560 - 3585 | Rolle | 024 882 | | | - | - | - | 1 | 1 | - | 1 |
| | Galet | Roller | | | | - | - | - | - | - | 1 | 1 |

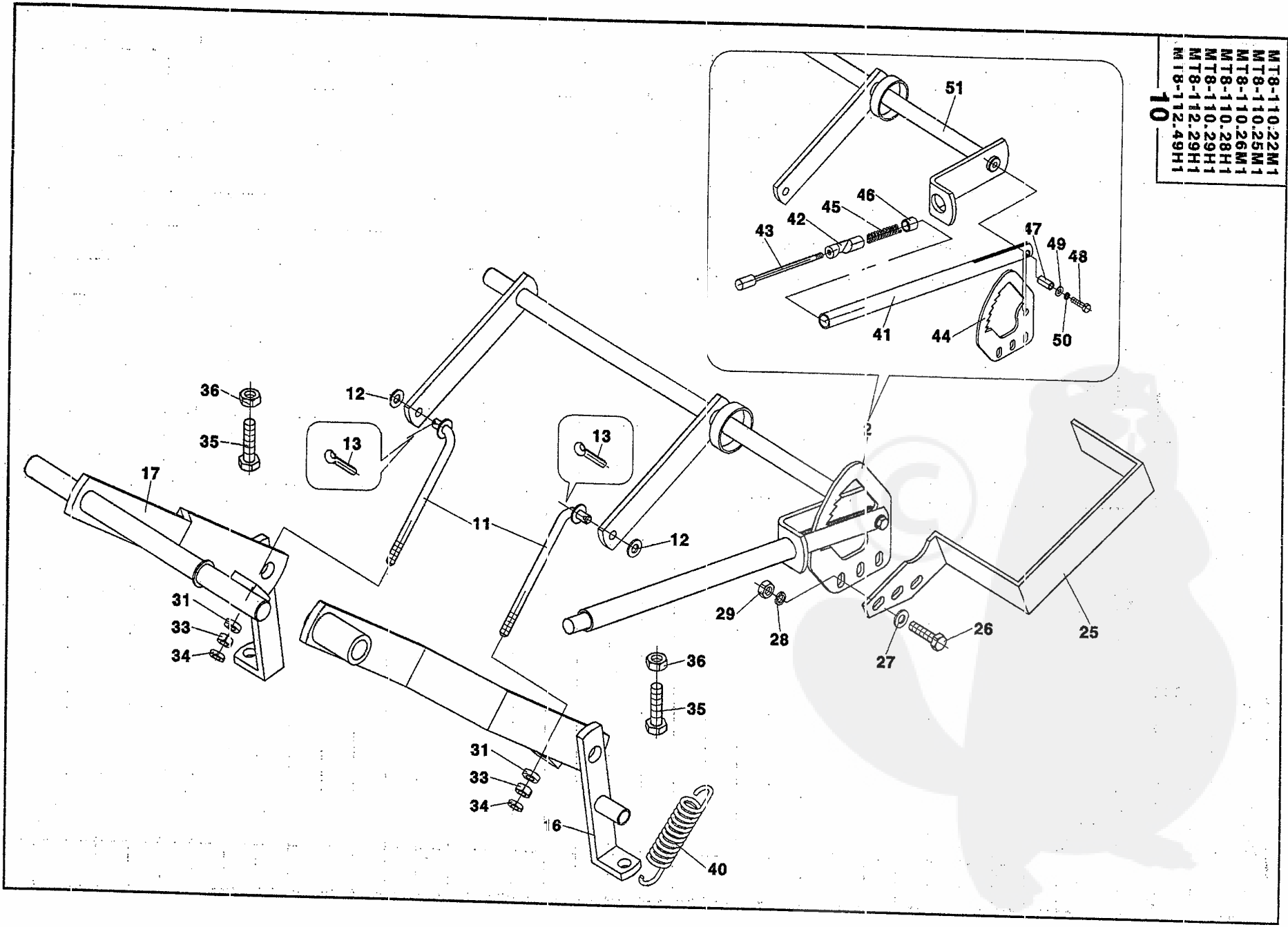
| 4 Náhon pojezdu | | Buhne | | MT8-... | | | | | | | |
|-----------------|--|------------------------|---------|---------------|----------|----------|----------|----------|---|----------|----------|
| D Transmission | | Drive | | 110 | | | | 112 | | | |
| 1 | 2 | 3 | 4 | 22 Ml | 25 Ml | 26 Ml | 28 Ml | 29 Ml | | 29 Hl | 49 Hl |
| 43b | Vložka Pièce d'insertion | Einlage Insert | E3004 | - | - | - | 1 | 1 | | 1 | 1 |
| 44 | Opěrka Boîte | Stuetze Support | E2985 | - | - | - | 2 | 2 | | 2 | 2 |
| 46 | Šroub M8x50 Vis | Schraube Screw | 066 660 | CSN 021101.55 | - | - | - | 1 | 1 | | 1 |
| 47 | Matice M8 Écrou | Mutter Nut | 070 084 | CSN 021401.55 | - | - | - | 1 | 1 | | 1 |
| 48 | Podložka 8 Rondelle | Unterlage Washer | 276 721 | CSN 021740.05 | - | - | - | 1 | 1 | | 1 |
| 50 | Podložka 9 zink Rondelle | Unterlage Washer | 071 226 | CSN 021729 | - | - | - | 5 | 5 | | 5 |
| 52 | Šroub M8x40 Vis | Schraube Screw | 066 646 | CSN 021101.55 | - | - | - | 2 | 2 | | 2 |
| 53 | Matice M8 Écrou | Mutter Nut | 596 142 | CSN 021492.25 | - | - | - | 3 | 3 | | 3 |
| 61 | Rameno Bras | Arm Arm | E3843 | | - | - | - | 1 | 1 | | 1 |
| 62 | Rozpěrka Cale | Spreitze spacer | E2998 | | - | - | - | 1 | 1 | | 1 |
| 64 | Šroub M10x70 Vis | Schraube Screw | 688 165 | CSN 021101.55 | - | - | - | 1 | 1 | | 1 |
| 65 | Podložka 10.5 Rondelle | Unterlage Washer | 070 504 | CSN 021702.15 | - | - | - | 4 | 4 | | 4 |
| 66 | Matice M10 Écrou | Mutter Nut | 596 163 | CSN 021492.25 | - | - | - | 1 | 1 | | 1 |
| 68 | Šroub M8x45 Vis | Schraube Screw | 066 653 | CSN 021101.55 | - | - | - | 1 | 1 | | 1 |
| 69 | Podložka 9 zink Rondelle | Unterlage Washer | 071 226 | CSN 021729 | - | - | - | 2 | 2 | | 2 |
| 70 | Matice M8 Écrou | Mutter Nut | 596 142 | CSN 021492.25 | - | - | - | 1 | 1 | | 1 |
| 71 | Podložka 10.5 Rondelle | Unterlage Washer | 070 504 | CSN 021702.15 | - | - | - | 1 | 1 | | 1 |
| 72 | Opěrka Boîte | Stuetze Support | E3852 | | - | - | - | 1 | 1 | | 1 |
| 73 | Pružina 4-E3842 zink Ressort | Feder Spring | 028 022 | | - | - | - | 1 | 1 | | 1 |
| 74 | Vzpěra Travers | Diagonale Bar | E3848 | | - | - | - | 1 | 1 | | 1 |
| 75 | Matice M10 Écrou | Mutter Nut | 069 456 | CSN 021403.25 | - | - | - | 2 | 2 | | 2 |
| 76 | Matice M10 Écrou | Mutter Nut | 596 163 | CSN 021492.25 | - | - | - | 1 | 1 | | 1 |
| 77 | Rozpěrka Cale | Spreitze Spacer | E3851 | | - | - | - | 1 | 1 | | 1 |
| 78 | Šroub M8x20 Vis | Schraube Screw | 067 291 | CSN 021103.55 | - | - | - | 2 | 2 | | 2 |
| 79 | Podložka 8.4 Rondelle | Unterlage Washer | 070 812 | CSN 021702.15 | - | - | - | 2 | 2 | | 2 |
| 80 | Matice M8 Écrou | Mutter Nut | 596 142 | CSN 021492.25 | - | - | - | 2 | 2 | | 2 |
| 91 | Tlumič výfuku Nelson 24500-A Silencieux | Auspufftop Silencer | 022 962 | | - | - | - | 1 | 1 | | 1 |
| 92 | Trubka pravá Tube | Rohr Tube | D3625 | | - | - | - | 1 | 1 | | - |
| 92 | Trubka pravá Tube | Rohr Tube | E3642 | | - | - | - | - | - | | 1 |
| 93 | Trubka levá Tube | Rohr Tube | D3626 | | - | - | - | 1 | 1 | | - |
| 93 | Trubka levá Tube | Rohr Tube | E3640 | | - | - | - | - | - | | 1 |
| 97 | Kryt tlumiče Couvercle | Deckel Cover | E3400 | | - | - | - | 1 | 1 | | 1 |
| 98 | Šroub M8x16 Vis | Schraube Screw | 067 284 | CSN 021103.55 | - | - | - | 4 | 4 | | 4 |
| 99 | Podložka 8.4 Rondelle | Unterlage Washer | 070 812 | CSN 021702.15 | - | - | - | 4 | 4 | | 4 |
| 100 | Podložka 8 Rondelle | Unterlage Washer | 276 721 | CSN 021740.05 | - | - | - | 4 | 4 | | 4 |
| 101 | Matice M8 Écrou | Mutter Nut | 069 176 | CSN 021401.25 | - | - | - | 4 | 4 | | 4 |
| 102 | Šroub 1/4"-20x5/8" Q 56 829 Vis | Schraube Screw | 025 674 | NELSON | - | - | - | 4 | 4 | | 4 |

MT8-110.22M1
 MT8-110.25M1
 MT8-110.26M1
 MT8-110.28H1
 MT8-110.29H1
 MT8-112.49H1



| 8 Zadní náprava | | Rear axle | | MT8-... | | | | | | | |
|-----------------|--|---------------------------|---------|---------------|----|----|----|-----|----|----|--|
| Pont arrière | | Hinterachse | | 110 | | | | 112 | | | |
| 1 | 2 | 3 | 4 | 22 | 25 | 26 | 28 | 29 | 29 | 49 | |
| - | Zadní náprava ovládání Pont arrière | Rear axle Hinterachse | E3860 | | | | | | | | |
| 1 | Hydr. náprava DANA 6400.005 Hydro-arrière | Hydro-axle Hydro-achse | 028 001 | | | | | | | | |
| 5 | Páka brzdy Lever | Lever Hebel | E0446 | | | | | | | | |
| 6 | Pedál nožní 3-D0494 Pédale | Pedal Fusshebel | 008 135 | | | | | | | | |
| 7 | Páka brzdy Lever | Lever Hebel | E0441 | | | | | | | | |
| 8 | Zarážka Boite | Stop Anschlag | E0447 | | | | | | | | |
| 9 | Kolíček 6x25 Cheville | Pin Stift | 628 336 | CSN 022156 | 2 | 2 | 2 | 2 | 2 | 2 | |
| 13 | Táhlo brzdy Tige | Draw. rod Zugstange | E3861 | | | | | | | | |
| 14 | Čep Fusée | Pin Bolzen | E0437 | | | | | | | | |
| 15 | Podložka 8.4 Rondelle | Washer U-Scheibe | 070 812 | CSN 021702.15 | 3 | 3 | 3 | 3 | 3 | 3 | |
| 16 | Závlačka 2x14 Goupille | Splint pin Splint | 509 954 | CSN 021781.05 | 3 | 3 | 3 | 3 | 3 | 3 | |
| 17 | Pouzdro Doville | Bush Hülse | E0451 | | | | | | | | |
| 18 | Pojistný kroužek 16 Anneau de sûreté | Circlip Sicher. ring | 123 300 | CSN 022930 | 1 | 1 | 1 | 1 | 1 | 1 | |
| 20 | Pružina 2.5x15x40x10.5 zink Ressort | Spring Feder | 018 880 | CSN 026020.0 | 1 | 1 | 1 | 1 | 1 | 1 | |
| 21 | Pružina 1.25x11.25x48x13.5 zink Ressort | Spring Feder | 081 474 | CSN 026020.0 | 1 | 1 | 1 | 1 | 1 | 1 | |
| 22 | Podložka 8.4 Rondelle | Washer U-Scheibe | 070 812 | CSN 021702.15 | 3 | 3 | 3 | 3 | 3 | 3 | |
| 23 | Matic M8 Écrou | Nut Mutter | 596 142 | CSN 021492.25 | 1 | 1 | 1 | 1 | 1 | 1 | |
| 25 | Hák Gancho | Hook Haken | E0436 | | | | | | | | |
| 26 | Pružina 4-D0154 zink Ressort | Spring Feder | 008 051 | | | | | | | | |
| 27 | Šroub M8x30 Bouion | Screw Schraube | 589 782 | CSN 021101.55 | 1 | 1 | 1 | 1 | 1 | 1 | |
| 28 | Matic M8 Écrou | Nut Mutter | 069 442 | CSN 021403.25 | 1 | 1 | 1 | 1 | 1 | 1 | |
| 29 | Matic M8 Écrou | Nut Mutter | 596 142 | CSN 021492.25 | 1 | 1 | 1 | 1 | 1 | 1 | |
| 31 | Kulisa Kulise | Gate Kulisse | E0452 | | | | | | | | |
| 32 | Podložka 8.4 Rondelle | Washer U-Scheibe | 070 812 | CSN 021702.15 | 1 | 1 | 1 | 1 | 1 | 1 | |
| 33 | Závlačka 1.6x12 Goupille | Splint pin Splint | 072 543 | CSN 021781.05 | 1 | 1 | 1 | 1 | 1 | 1 | |
| 34 | Podložka Rondelle | Washer U-Scheibe | E3317 | | | | | | | | |
| 35 | Podložka Rondelle | Washer U-Scheibe | E0475 | | | | | | | | |
| 36 | Vložka Pièce d'insertion | Insert Einlage | E0476 | | | | | | | | |
| 37 | Šroub M8x110 Boulon | Screw Schraube | 048 854 | CSN 021101.55 | 1 | 1 | 1 | 1 | 1 | 1 | |
| 38 | Podložka 8.4 Rondelle | Washer U-Scheibe | 070 812 | CSN 021702.15 | 1 | 1 | 1 | 1 | 1 | 1 | |
| 39 | Matic M8 Écrou | Nut Mutter | 070 084 | CSN 021401.55 | 2 | 2 | 2 | 2 | 2 | 2 | |
| 41 | Pedál pojezdu Pédale | Pedal Fusshebel | E3326 | | | | | | | | |
| 42 | Držák Support de siège | Holder Halter | E0466 | | | | | | | | |
| 44 | Palec Accessoir | Finger Daumen | E0478 | | | | | | | | |
| 45 | Matic M8 Écrou | Nut Mutter | 596 142 | CSN 021492.25 | 1 | 1 | 1 | 1 | 1 | 1 | |
| 46 | Pedál 4-E3328 Pédale | Pedal Fusshebel | 040 614 | | | | | | | | |
| 47 | Pedál 3-D0494 Pédale | Pedal Fusshebel | 008 135 | | | | | | | | |

| 8 Zadní náprava | | Rear axle | | MT8-... | | | | | | | |
|-----------------|--|------------------------|-----------------------|------------|------------|------------|------------|------------|------------|------------|---|
| Pont arrière | | Hinterachse | | 110 | | | | 112 | | | |
| 1 | 2 | 3 | 4 | 22 IV.1 | 25 IV.2 | 26 IV.3 | 28 IV.4 | 29 IV.5 | 29 IV.6 | 49 IV.7 | |
| 48 | Šroub M6x20 Boulon | Screw Schraube | 431 736 CSN 021103.55 | 2 | 2 | 2 | 2 | 2 | | 2 | 2 |
| 49 | Podložka 6 Rondelle | Washer U-Scheibe | 276 700 CSN 021740.05 | 2 | 2 | 2 | 2 | 2 | | 2 | 2 |
| 50 | Maticice M6 Écrou | Nut Mutter | 590 025 CSN 021401.55 | 2 | 2 | 2 | 2 | 2 | | 2 | 2 |
| 55 | Táhlo Tige | Draw. rod Zugstange | E3310 | 1 | 1 | 1 | 1 | 1 | | 1 | 1 |
| 56 | Maticice M10 Écrou | Nut Mutter | 069 183 CSN 021401.25 | 1 | 1 | 1 | 1 | 1 | | 1 | 1 |
| 61 | Čep Fusée | Pin Bolzen | E3864 | 1 | 1 | 1 | 1 | 1 | | 1 | 1 |
| 62 | Maticice M8 Écrou | Nut Mutter | 596 142 CSN 021492.25 | 1 | 1 | 1 | 1 | 1 | | 1 | 1 |
| 63 | Podložka 8.4 Rondelle | Washer U-Scheibe | 070 812 CSN 021702.15 | 1 | 1 | 1 | 1 | 1 | | 1 | 1 |
| 64 | Páka Levier | Lever Hebel | E3865 | 1 | 1 | 1 | 1 | 1 | | 1 | 1 |
| 65 | Rameno Bras | Arm Arm | E3866 | 1 | 1 | 1 | 1 | 1 | | 1 | 1 |
| 67 | Šroub 1/4"-28-3/4" Boulon | Screw Schraube | 028 015 | 2 | 2 | 2 | 2 | 2 | | 2 | 2 |
| 68 | Podložka 6.6 zink Rondelle | Washer U-Scheibe | 071 212 CSN 021729 | 2 | 2 | 2 | 2 | 2 | | 2 | 2 |
| 69 | Podložka 6 Rondelle | Washer U-Scheibe | 276 700 CSN 021740.05 | 2 | 2 | 2 | 2 | 2 | | 2 | 2 |
| 70 | Podložka 6.4 Rondelle | Washer U-Scheibe | 071 863 CSN 021751.05 | 1 | 1 | 1 | 1 | 1 | | 1 | 1 |
| 81 | Držák levý Support | Halter Holder | E3875 | 1 | 1 | 1 | 1 | 1 | | 1 | 1 |
| 82 | Držák pravý Support | Halter Holder | E3878 | 1 | 1 | 1 | 1 | 1 | | 1 | 1 |
| 83 | Šroub M8x70 Boulon | Screw Schraube | 120 784 CSN 021101.55 | 4 | 4 | 4 | 4 | 4 | | 4 | 4 |
| 84 | Maticice M8 Écrou | Nut Mutter | 596 142 CSN 021492.25 | 4 | 4 | 4 | 4 | 4 | | 4 | 4 |
| 85 | Podložka 8.4 Rondelle | Washer U-Scheibe | 070 812 CSN 021702.15 | 4 | 4 | 4 | 4 | 4 | | 4 | 4 |
| 86 | Táhlo Tige | Draw. rod Zugstange | E3874 | 1 | 1 | 1 | 1 | 1 | | 1 | 1 |
| 87 | Maticice M8 Écrou | Nut Mutter | 070 084 CSN 021401.55 | 4 | 4 | 4 | 4 | 4 | | 4 | 4 |
| 88 | Podložka 8 Rondelle | Washer U-Scheibe | 276 721 CSN 021740.05 | 2 | 2 | 2 | 2 | 2 | | 2 | 2 |
| 101 | Páka Levier | Lever Hebel | E0457 | 1 | 1 | 1 | 1 | 1 | | 1 | 1 |
| 105 | Čep Fusée | Pin Bolzen | E0823 | 1 | 1 | 1 | 1 | 1 | | 1 | 1 |
| 108 | Podložka 8.4 Rondelle | Washer U-Scheibe | 070 812 CSN 021702.15 | 2 | 2 | 2 | 2 | 2 | | 2 | 2 |
| 109 | Závlačka 2x14 Goupille | Splint pin Splint | 509 954 CSN 021781.05 | 2 | 2 | 2 | 2 | 2 | | 2 | 2 |
| 110 | Pružina 1.6x14.1x56x19.75 A=5 Ressort | Spring Feder | 681 046 CSN 026030.0 | 1 | 1 | 1 | 1 | 1 | | 1 | 1 |
| 111 | Rameno Bras | Arm Arm | E3868 | 1 | 1 | 1 | 1 | 1 | | 1 | 1 |
| 112 | Rozpěrka L=20 Entretoise | Spreitze Spacer | Y0549 | 1 | 1 | 1 | 1 | 1 | | 1 | 1 |
| 113 | Podložka 10.5 Rondelle | Washer U-Scheibe | 070 504 CSN 021702.15 | 2 | 2 | 2 | 2 | 2 | | 2 | 2 |
| 114 | Rozpěrka L=7 Entretoise | Spreitze Spacer | Y0550 | 1 | 1 | 1 | 1 | 1 | | 1 | 1 |
| 116 | Maticice M10 Écrou | Nut Mutter | 596 163 CSN 021492.25 | 1 | 1 | 1 | 1 | 1 | | 1 | 1 |
| 119 | Pružina pojezdu 4-E0834 Ressort | Spring Feder | 018 894 | 1 | 1 | 1 | 1 | 1 | | 1 | 1 |
| 121 | Uhlový kloub A13 Joint articulé | Joint Gelenk | 580 575 | 2 | 2 | 2 | 2 | 2 | | 2 | 2 |
| 122 | Táhlo Tige | Draw. rod Zugstange | E3870 | 1 | 1 | 1 | 1 | 1 | | 1 | 1 |
| 123 | Maticice M8 Écrou | Nut Mutter | 069 176 CSN 021401.25 | 2 | 2 | 2 | 2 | 2 | | 2 | 2 |
| 125 | Rameno Bras | Arm Arm | E3871 | 1 | 1 | 1 | 1 | 1 | | 1 | 1 |

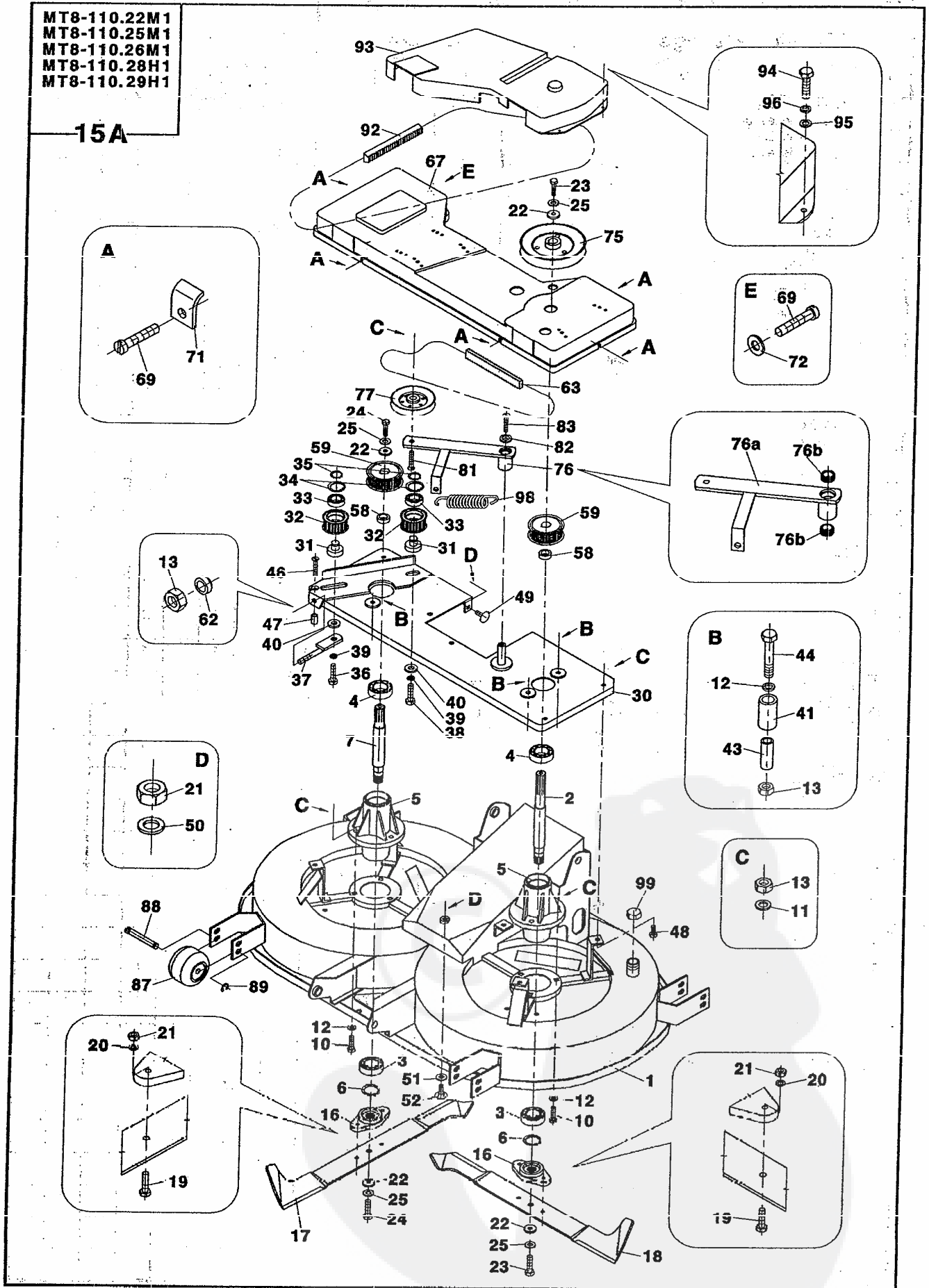


10

| |
|--------------|
| MT8-110.22M1 |
| MT8-110.25M1 |
| MT8-110.26M1 |
| MT8-110.28H1 |
| MT8-110.29H1 |
| MT8-112.29H1 |
| MT8-112.49H1 |

MT8-110.22M1
 MT8-110.25M1
 MT8-110.26M1
 MT8-110.28H1
 MT8-110.29H1

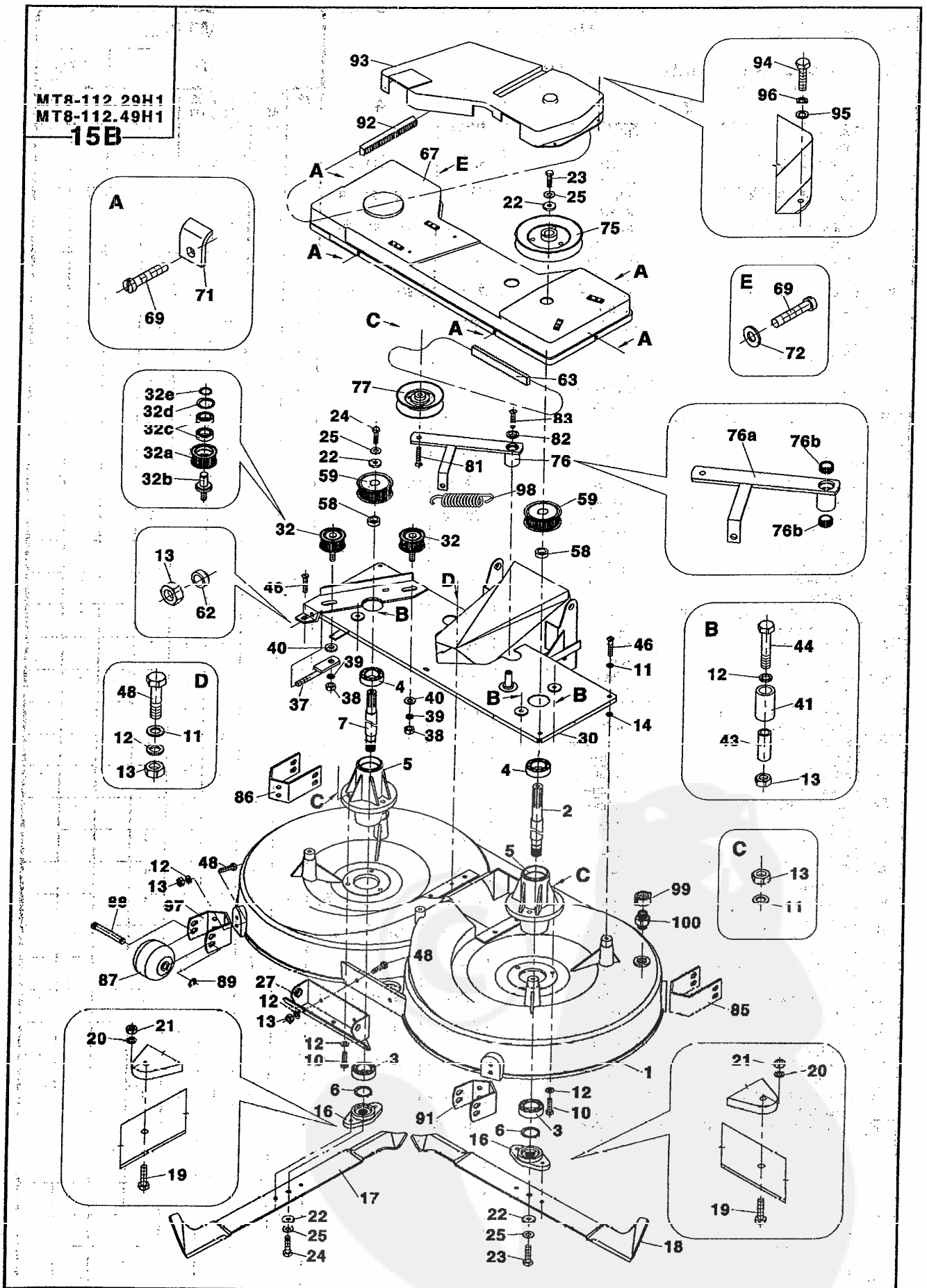
15A



| 15 Sekačka | | Hackener | | MT8-... | | | | | | | |
|----------------------|---|---------------------------|---------|---------------|----------|----------|----------|----------|----------|----------|----------|
| A Faucheuse rotative | | Cutter | | 110 | | | | 112 | | | |
| 1 | 2 | 3 | 4 | 22 M1 | 25 M1 | 26 M1 | 28 H1 | 29 H1 | 30 H1 | 35 H1 | 45 H1 |
| - | Sekačka Faucheuse rotative | Hackener Cutter | E2780 | 1 | 1 | 1 | 1 | 1 | 1 | - | - |
| 1 | Kryt nožů Capot de protection | Deckel Cover | E2781 | 1 | 1 | 1 | 1 | 1 | 1 | - | - |
| 2 | Hřídel Arbre | Welle Shaft | D3189 | 1 | 1 | 1 | 1 | 1 | 1 | - | - |
| 3 | Ložisko 6204 RS Roulement | Lager Bearing | 592 806 | CSN 024640 | 2 | 2 | 2 | 2 | 2 | - | - |
| 4 | Ložisko 6204 A 2RS Roulement | Lager Bearing | 096 473 | CSN 024640 | 2 | 2 | 2 | 2 | 2 | - | - |
| 5 | Náboj Moyeu | Nabe Hub | D0046 | 2 | 2 | 2 | 2 | 2 | 2 | - | - |
| 6 | Pojistný kroužek 20 Bague de blocage | Sicherung ring Circlip | 077 546 | CSN 022930 | 2 | 2 | 2 | 2 | 2 | - | - |
| 7 | Hřídel Arbre | Welle Shaft | D3188 | 1 | 1 | 1 | 1 | 1 | 1 | - | - |
| 10 | Šroub M8x30 Vis | Schraube Screw | 067 312 | CSN 021103.55 | 6 | 6 | 6 | 6 | 6 | - | - |
| 11 | Podložka 9 zink Rondelle | Unterlage Washer | 071 226 | CSN 021729 | 14 | 14 | 14 | 14 | 14 | - | - |
| 12 | Podložka 8.4 Rondelle | Unterlage Washer | 070 812 | CSN 021702.15 | 9 | 9 | 9 | 9 | 9 | - | - |
| 13 | Matice M8 Écrou | Mutter Nut | 596 142 | CSN 021492.25 | 17 | 17 | 17 | 17 | 17 | - | - |
| 16 | Unašeč Entraîneur | Mitnehmer Driver | D0087 | 2 | 2 | 2 | 2 | 2 | 2 | - | - |
| 17 | Nůž pravý Couteau droit | Messer Knife | E3603 | 1 | 1 | 1 | 1 | 1 | 1 | - | - |
| 18 | Nůž levý Couteau gauche | Messer Knife | E3602 | 1 | 1 | 1 | 1 | 1 | 1 | - | - |
| 19 | Šroub M6x25 Vis | Schraube Screw | 277 415 | CSN 021103.15 | 4 | 4 | 4 | 4 | 4 | - | - |
| 20 | Podložka 6.4 Rondelle | Unterlage Washer | 070 805 | CSN 021702.15 | 4 | 4 | 4 | 4 | 4 | - | - |
| 21 | Matice M6 Écrou | Mutter Nut | 596 275 | CSN 021492.25 | 7 | 7 | 7 | 7 | 7 | - | - |
| 22 | Podložka Rondelle | Unterlage Washer | D0881 | 4 | 4 | 4 | 4 | 4 | 4 | - | - |
| 23 | Šroub M10x1x25 Vis | Schraube Screw | 016 862 | CSN 021103.50 | 2 | 2 | 2 | 2 | 2 | - | - |
| 24 | Šroub M10x1x25L Vis | Schraube Screw | D3220 | 2 | 2 | 2 | 2 | 2 | 2 | - | - |
| 25 | Podložka 11 zink Rondelle | Unterlage Washer | 071 233 | CSN 021729 | 4 | 4 | 4 | 4 | 4 | - | - |
| 30 | Deska Plaque | Platte Plate | E3689 | 1 | 1 | 1 | 1 | 1 | 1 | - | - |
| 31 | Čep Cheville | Bolzen Pin | D3587 | 2 | 2 | 2 | 2 | 2 | 2 | - | - |
| 32 | Kladka Z=22 Galet | Rolle Roller | E3687 | 2 | 2 | 2 | 2 | 2 | 2 | - | - |
| 33 | Ložisko 6203 2RS Roulement | Lager Bearing | 021 673 | CSN 024640 | 2 | 2 | 2 | 2 | 2 | - | - |
| 34 | Pojistný kroužek 40 Bague de blocage | Sicherung ring Circlip | 078 016 | CSN 022931 | 2 | 2 | 2 | 2 | 2 | - | - |
| 35 | Pojistný kroužek 17 Bague de blocage | Sicherung ring Circlip | 077 511 | CSN 022930 | 2 | 2 | 2 | 2 | 2 | - | - |
| 36 | Šroub M10x30 Vis | Schraube Screw | 067 354 | CSN 021103.55 | 1 | 1 | 1 | 1 | 1 | - | - |
| 37 | Napínák Tendeur | Spanner Tightener | E3690 | 1 | 1 | 1 | 1 | 1 | 1 | - | - |
| 38 | Šroub M10x25 Vis | Schraube Screw | 067 340 | CSN 021103.55 | 1 | 1 | 1 | 1 | 1 | - | - |
| 39 | Podložka 10 Rondelle | Unterlage Washer | 071 541 | CSN 021740.05 | 2 | 2 | 2 | 2 | 2 | - | - |
| 40 | Podložka Rondelle | Unterlage Washer | D0392 | 2 | 2 | 2 | 2 | 2 | 2 | - | - |
| 41 | Pouzdro 4-D0050 Douille | Hülse Bush | 011 600 | 3 | 3 | 3 | 3 | 3 | 3 | - | - |
| 43 | Pouzdro Douille | Hülse Bush | D0049 | 3 | 3 | 3 | 3 | 3 | 3 | - | - |
| 44 | Šroub M8x50 Vis | Schraube Screw | 066 660 | CSN 021101.55 | 3 | 3 | 3 | 3 | 3 | - | - |
| 46 | Šroub M8x40 Vis | Schraube Screw | 684 381 | CSN 021151.25 | 1 | 1 | 1 | 1 | 1 | - | - |

| 15 Sekačka | | Hackener | | MT8-... | | | | | | | |
|----------------------|--|-----------------------|----------------|---------------|----------|----------|----------|----------|----------|----------|----------|
| A Faucheuse rotative | | Cutter | | 110 | | | | | 112 | | |
| 1 | 2 | 3 | 4 | 22 M1 | 25 M1 | 26 M1 | 28 H1 | 29 H1 | 30 H1 | 31 H1 | 32 H1 |
| 47 | Rozpěrka Cale | Spreitze Spacer | D3588 | 1 | 1 | 1 | 1 | 1 | | | |
| 48 | Šroub M8x20 Vis | Schraube Screw | 067 291 | CSN 021103.55 | 5 | 5 | 5 | 5 | 5 | | |
| 49 | Šroub M6x16 zink Vis | Schraube Screw | 509 933 | CSN 021319 | 2 | 2 | 2 | 2 | 2 | | |
| 50 | Podložka 6.6 zink Rondelle | Unterlage Washer | 071 212 | CSN 021729 | 3 | 3 | 3 | 3 | 3 | | |
| 51 | Rozpěrka Cale | Spreitze Spacer | D0676 | | 1 | 1 | 1 | 1 | 1 | | |
| 52 | Šroub M6x20 zink Vis | Schraube Screw | 077 042 | CSN 021319.00 | 1 | 1 | 1 | 1 | 1 | | |
| 58 | Rozpěrka Cale | Spreitze Spacer | D3199 | | 2 | 2 | 2 | 2 | 2 | | |
| 59 | Kladka Z=40 Galet | Rolle Roller | E3685 | | 2 | 2 | 2 | 2 | 2 | | |
| 62 | Podložka Rondelle | Unterlage Washer | D3586 | | 1 | 1 | 1 | 1 | 1 | | |
| 63 | Remen ozubený Courroie dentée | TP1760-8M -20-PGGT | Riemen Belt | 020 768 | GATES | 1 | 1 | 1 | 1 | 1 | |
| 67 | Kryt Couvercle | Deckel Cover | E2783 | | 1 | 1 | 1 | 1 | 1 | | |
| 69 | Šroub 3.9x13 Vis | Schraube Screw | 309 462 | CSN 021232.05 | 6 | 6 | 6 | 6 | 6 | | |
| 71 | Podložka Rondelle | Unterlage Washer | E0672 | | 5 | 5 | 5 | 5 | 5 | | |
| 72 | Podložka 4.3 Rondelle | Unterlage Washer | 070 980 | CSN 021726.15 | 1 | 1 | 1 | 1 | 1 | | |
| 75 | Remenice Poulive | Riemensch. Pulley | D3236 | | 1 | 1 | 1 | 1 | 1 | | |
| 76 | Rameno kladky s pouzdem Bras de galet | Arm Arm | E0673 | | 1 | 1 | 1 | 1 | 1 | | |
| 76a | Rameno kladky Bras de galet | Arm Arm | E0674 | | 1 | 1 | 1 | 1 | 1 | | |
| 76b | Pouzdro Douille | Hülse Bush | E0678 | | 2 | 2 | 2 | 2 | 2 | | |
| 77 | Napínací kladka komplet Galet-tendeur | Rolle Roller | E3594 | | 1 | 1 | 1 | 1 | 1 | | |
| 81 | Šroub M8x35 Vis | Schraube Screw | 394 360 | CSN 021151.25 | 1 | 1 | 1 | 1 | 1 | | |
| 82 | Podložka Rondelle | Unterlage Washer | E0680 | | 1 | 1 | 1 | 1 | 1 | | |
| 83 | Šroub M8x20 Vis | Schraube Screw | 278 893 | CSN 021151.25 | 1 | 1 | 1 | 1 | 1 | | |
| 87 | Kolo 4-D0963 Roue | Rad Wheel | 012 441 | | 8 | 8 | 8 | 8 | 8 | | |
| 88 | Čep Cheville | Bolzen Pin | D0048 | | 4 | 4 | 4 | 4 | 4 | | |
| 89 | Kroužek 9 Anneau | Ring Ring | 643 325 | CSN 022929.05 | 4 | 4 | 4 | 4 | 4 | | |
| 92 | Remen B-1400 Li Courroie | Riemen Belt | 049 653 | CSN 023110 | 1 | 1 | 1 | 1 | 1 | | |
| 93 | Kryt náhonu 3-E0682 Couvercle | Deckel Cover | 018 691 | | 1 | 1 | 1 | 1 | 1 | | |
| 94 | Šroub M5x16 Vis | Schraube Screw | 580 792 | CSN 021103.15 | 4 | 4 | 4 | 4 | 4 | | |
| 95 | Podložka 5.3 Rondelle | Unterlage Washer | 070 476 | CSN 021702.15 | 4 | 4 | 4 | 4 | 4 | | |
| 96 | Podložka 5 Rondelle | Unterlage Washer | 071 513 | CSN 021740.05 | 4 | 4 | 4 | 4 | 4 | | |
| 98 | Pružina 3.75x39x270x54.25 A=8 E2789 Ressort | Feder Spring | 026 683 | | 1 | 1 | 1 | 1 | 1 | | |
| 99 | Maticice převlečná DN13 Z=3/4" Écrou | Mutter Nut | 021 064 | | 2 | 2 | 2 | 2 | 2 | | |

MT8-112.20H1
 MT8-112.49H1
15B

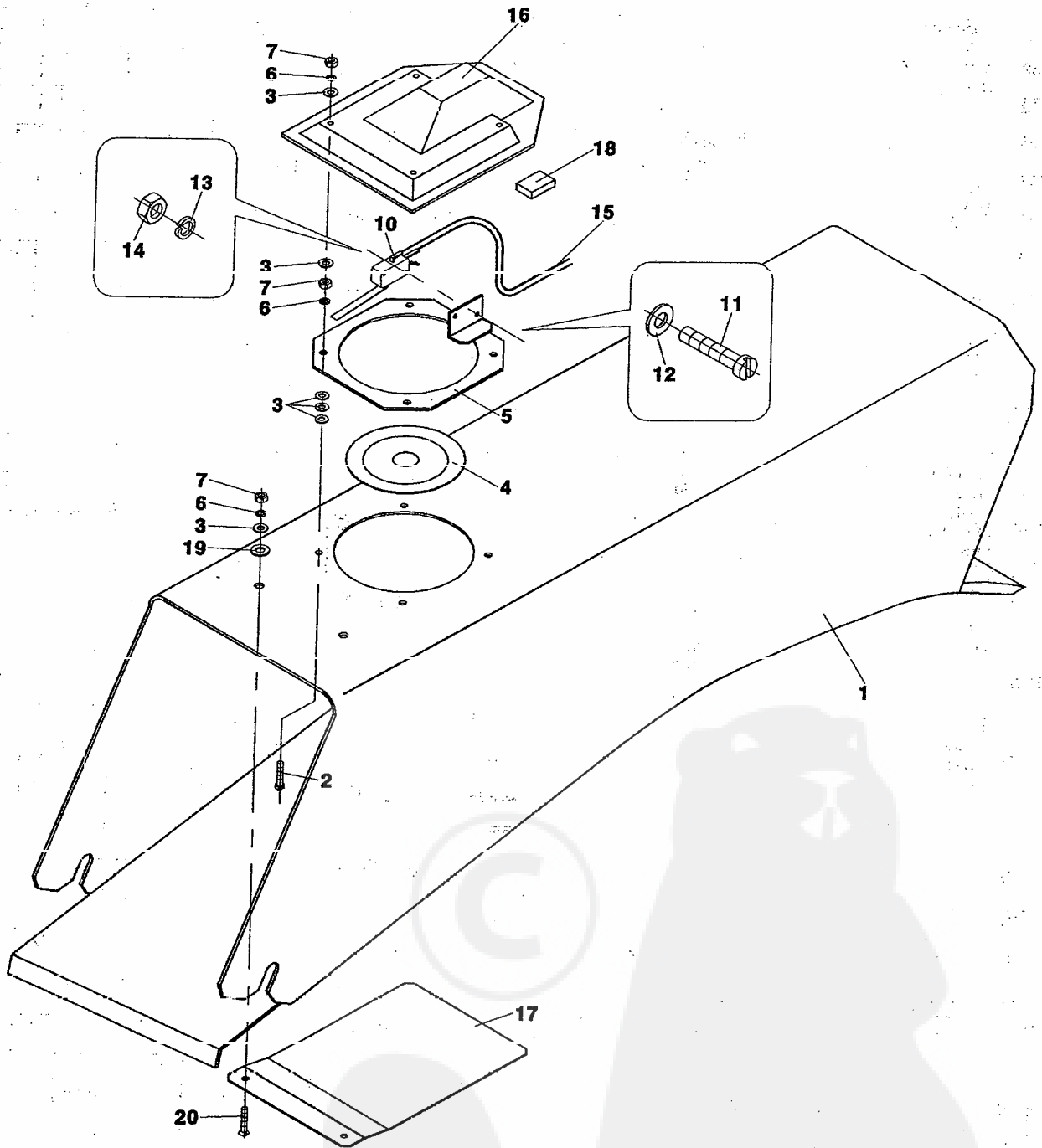


| 15 Sekačka Hackener | | | | MT8-... | | | | | | | | |
|-----------------------------|---------------------|----------------|---------|---------------|----------|----------|----------|----------|----------|----------|----------|----|
| B Faucheuse rotative Cutter | | | | 110 | | | | | 112 | | | |
| 1 | 2 | | 3 | 4 | 22 M1 | 25 M1 | 26 M1 | 28 H1 | 29 H1 | 29 H1 | 49 H1 | |
| - | Sekačka | Hackener | E3565 | | - | - | - | - | - | | 1 | 1 |
| | Faucheuse rotative | Cutter | | | | | | | | | | |
| 1 | Kryt nožů | Deckel | E3570 | | - | - | - | - | - | | 1 | 1 |
| | Capot de protection | Cover | | | | | | | | | | |
| 2 | Hřídel | Welle | D3189 | | - | - | - | - | - | | 1 | 1 |
| | Arbre | Shaft | | | | | | | | | | |
| 3 | Ložisko 6204 RS | Lager | 592 806 | CSN 024640 | - | - | - | - | - | | 2 | 2 |
| | Roulement | Bearing | | | | | | | | | | |
| 4 | Ložisko 6204 A 2RS | Lager | 096 473 | CSN 024640 | - | - | - | - | - | | 2 | 2 |
| | Roulement | Bearing | | | | | | | | | | |
| 5 | Náboj | Nabe | D0046 | | - | - | - | - | - | | 2 | 2 |
| | Moyeu | Hub | | | | | | | | | | |
| 6 | Pojistný kroužek 20 | Sicherung ring | 077 546 | CSN 022930 | - | - | - | - | - | | 2 | 2 |
| | Bague de blocage | Circlip | | | | | | | | | | |
| 7 | Hřídel | Welle | D3188 | | - | - | - | - | - | | 1 | 1 |
| | Arbre | Shaft | | | | | | | | | | |
| 10 | Šroub M8x40 | Schraube | 066 646 | CSN 021101.55 | - | - | - | - | - | | 6 | 6 |
| | Vis | Screw | | | | | | | | | | |
| 11 | Podložka 9 zink | Unterlage | 071 226 | CSN 021729 | - | - | - | - | - | | 12 | 12 |
| | Rondelle | Washer | | | | | | | | | | |
| 12 | Podložka 8.4 | Unterlage | 070 812 | CSN 021702.15 | - | - | - | - | - | | 42 | 42 |
| | Rondelle | Washer | | | | | | | | | | |
| 13 | Matice M8 | Mutter | 596 142 | CSN 021492.25 | - | - | - | - | - | | 28 | 28 |
| | Écrou | Nut | | | | | | | | | | |
| 14 | Podložka 8 | Unterlage | 276 721 | CSN 021740.05 | - | - | - | - | - | | 5 | 5 |
| | Rondelle | Washer | | | | | | | | | | |
| 16 | Unašeč | Mitnehmer | D0087 | | - | - | - | - | - | | 2 | 2 |
| | Entraîneur | Driver | | | | | | | | | | |
| 17 | Nůž pravý | Messer | E3572 | | - | - | - | - | - | | 1 | 1 |
| | Couteau droit | Knife | | | | | | | | | | |
| 18 | Nůž levý | Messer | E3571 | | - | - | - | - | - | | 1 | 1 |
| | Couteau gauche | Knife | | | | | | | | | | |
| 19 | Šroub M6x25 | Schraube | 277 415 | CSN 021103.15 | - | - | - | - | - | | 4 | 4 |
| | Vis | Screw | | | | | | | | | | |
| 20 | Podložka 6.4 | Unterlage | 070 805 | CSN 021702.15 | - | - | - | - | - | | 4 | 4 |
| | Rondelle | Washer | | | | | | | | | | |
| 21 | Matice M6 | Mutter | 596 275 | CSN 021492.25 | - | - | - | - | - | | 4 | 4 |
| | Écrou | Nut | | | | | | | | | | |
| 22 | Podložka | Unterlage | D0881 | | - | - | - | - | - | | 4 | 4 |
| | Rondelle | Washer | | | | | | | | | | |
| 23 | Šroub M10x1x25 | Schraube | 016 862 | CSN 021103.50 | - | - | - | - | - | | 2 | 2 |
| | Vis | Screw | | | | | | | | | | |
| 24 | Šroub M10x1x25L | Schraube | D3220 | | - | - | - | - | - | | 2 | 2 |
| | Vis | Screw | | | | | | | | | | |
| 25 | Podložka 11 zink | Unterlage | 071 233 | CSN 021729 | - | - | - | - | - | | 4 | 4 |
| | Rondelle | Washer | | | | | | | | | | |
| 27 | Závěs | Gehaenger | E3595 | | - | - | - | - | - | | 1 | 1 |
| | Suspension | Suspension | | | | | | | | | | |
| 30 | Deska | Platte | E3586 | | - | - | - | - | - | | 1 | 1 |
| | Plaque | Plate | | | | | | | | | | |
| 32 | Kladka Z=22 | Rolle | E3682 | | - | - | - | - | - | | 2 | 2 |
| | Galet | Roller | | | | | | | | | | |
| 32a | Kladka Z=22 | Rolle | E3683 | | - | - | - | - | - | | 2 | 2 |
| | Galet | Roller | | | | | | | | | | |
| 32b | Čep | Bolzen | E3693 | | - | - | - | - | - | | 2 | 2 |
| | Cheville | Pin | | | | | | | | | | |
| 32c | Ložisko 6202 A 2RS | Lager | 684 010 | CSN 024640 | - | - | - | - | - | | 4 | 4 |
| | Roulement | Bearing | | | | | | | | | | |
| 32d | Pojistný kroužek 35 | Sicherung ring | 077 973 | CSN 022931 | - | - | - | - | - | | 2 | 2 |
| | Bague de blocage | Circlip | | | | | | | | | | |
| 32e | Pojistný kroužek 15 | Sicherung ring | 077 490 | CSN 022930 | - | - | - | - | - | | 2 | 2 |
| | Bague de blocage | Circlip | | | | | | | | | | |
| 37 | Napínák | Spanner | D3690 | | - | - | - | - | - | | 1 | 1 |
| | Tendeur | Tightener | | | | | | | | | | |
| 38 | Matice M10 | Mutter | 069 183 | CSN 021401.25 | - | - | - | - | - | | 2 | 2 |
| | Écrou | Nut | | | | | | | | | | |
| 39 | Podložka 10 | Unterlage | 071 541 | CSN 021740.05 | - | - | - | - | - | | 2 | 2 |
| | Rondelle | Washer | | | | | | | | | | |
| 40 | Podložka | Unterlage | D0392 | | - | - | - | - | - | | 2 | 2 |
| | Rondelle | Washer | | | | | | | | | | |
| 41 | Pouzdro 4-D0050 | Hülse | 011 600 | | - | - | - | - | - | | 4 | 4 |
| | Douille | Bush | | | | | | | | | | |
| 43 | Pouzdro | Hülse | D0049 | | - | - | - | - | - | | 4 | 4 |
| | Douille | Bush | | | | | | | | | | |

| 15 Sekačka Hackener | | | | MT8-... | | | | | | | |
|-----------------------|--|----------------------|---------|---------------|-----------|-----------|-----------|-----------|-----------|-----------|----|
| B Faucheuse rotatoire | | Cutter | | 110 | | | 112 | | | | |
| 1 | 2 | 3 | 4 | .22 MI | .25 MI | .26 MI | .28 MI | .29 MI | .29 MI | .49 MI | |
| 44 | Šroub M8x50 Vis | Schraube Screw | 066 660 | CSN 021101.55 | - | - | - | - | - | 4 | 4 |
| 46 | Šroub M8x25 Vis | Schraube Screw | 067 305 | CSN 021103.55 | - | - | - | - | - | 5 | 5 |
| 48 | Šroub M8x30 Vis | Schraube Screw | 067 312 | CSN 021103.55 | - | - | - | - | - | 16 | 16 |
| 58 | Rozpěrka Cale | Spreitze Spacer | D3199 | | - | - | - | - | - | 2 | 2 |
| 59 | Kladka Z=40 Galet | Rolle Roller | E3685 | | - | - | - | - | - | 2 | 2 |
| 62 | Podložka Rondelle | Unterlage Washer | D3586 | | - | - | - | - | - | 1 | 1 |
| 63 | Řemen ozubený TP2000-8M-20-PGGT Courroie dentée | Riemen Belt | 040 769 | GATES | - | - | - | - | - | 1 | 1 |
| 67 | Kryt Couvercle | Deckel Cover | E3575 | | - | - | - | - | - | 1 | 1 |
| 69 | Šroub 3.9x13 Vis | Schraube Screw | 309 462 | CSN 021232.05 | - | - | - | - | - | 6 | 6 |
| 71 | Podložka Rondelle | Unterlage Washer | E0672 | | - | - | - | - | - | 5 | 5 |
| 72 | Podložka 4.3 Rondelle | Unterlage Washer | 070 980 | CSN 021726.15 | - | - | - | - | - | 1 | 1 |
| 75 | Řemenice Poulive | Riemensch. Pulley | D3236 | | - | - | - | - | - | 1 | 1 |
| 76 | Rameno kladky s pouzdrem Bras de galet | Arm Arm | E0673 | | - | - | - | - | - | 1 | 1 |
| 76a | Rameno kladky Bras de galet | Arm Arm | E0674 | | - | - | - | - | - | 1 | 1 |
| 76b | Pouzdro Douille | Hülse Bush | E0678 | | - | - | - | - | - | 2 | 2 |
| 77 | Kladka Galet-tendeur | Rolle Roller | E3594 | | - | - | - | - | - | 1 | 1 |
| 81 | Šroub M8x35 Vis | Schraube Screw | 394 360 | CSN 021151.25 | - | - | - | - | - | 1 | 1 |
| 82 | Podložka Rondelle | Unterlage Washer | E0680 | | - | - | - | - | - | 1 | 1 |
| 83 | Šroub M8x20 Vis | Schraube Screw | 278 893 | CSN 021151.25 | - | - | - | - | - | 1 | 1 |
| 85 | Držák L Support | Halter Holder | E3598 | | - | - | - | - | - | 1 | 1 |
| 86 | Držák P Support | Halter Holder | E3599 | | - | - | - | - | - | 1 | 1 |
| 87 | Kolo 4-E3569 Roue | Rad Wheel | 026 445 | | - | - | - | - | - | 8 | 8 |
| 88 | Čep Cheville | Bolzen Pin | D0048 | | - | - | - | - | - | 4 | 4 |
| 89 | Kroužek 9 Anneau | Ring Ring | 643 325 | CSN 022929.05 | - | - | - | - | - | 4 | 4 |
| 91 | Držák přední L Support | Halter Holder | E3604 | | - | - | - | - | - | 1 | 1 |
| 92 | Řemen B-1400 Li Courroie | Riemen Belt | 049 653 | CSN 023110 | - | - | - | - | - | 1 | 1 |
| 93 | Kryt náhonu 3-E0682 Couvercle | Deckel Cover | 018 691 | | - | - | - | - | - | 1 | 1 |
| 94 | Šroub M5x16 Vis | Schraube Screw | 580 792 | CSN 021103.15 | - | - | - | - | - | 4 | 4 |
| 95 | Podložka 5.3 Rondelle | Unterlage Washer | 070 476 | CSN 021702.15 | - | - | - | - | - | 4 | 4 |
| 96 | Podložka 5 Rondelle | Unterlage Washer | 071 513 | CSN 021740.05 | - | - | - | - | - | 4 | 4 |
| 97 | Držák přední P Support | Halter Holder | E3605 | | - | - | - | - | - | 1 | 1 |
| 98 | Pružina 3.75x39x270x54.25 A=8 E2789 Ressort | Feder Spring | 026 683 | | - | - | - | - | - | 1 | 1 |
| 99 | Matice převlečná DN13 Z=3/4" Écrou | Mutter Nut | 021 064 | | - | - | - | - | - | 2 | 2 |
| 100 | Vsuvka 3/4" Duesse | Nozzle Duesse | 026 452 | | - | - | - | - | - | 2 | 2 |

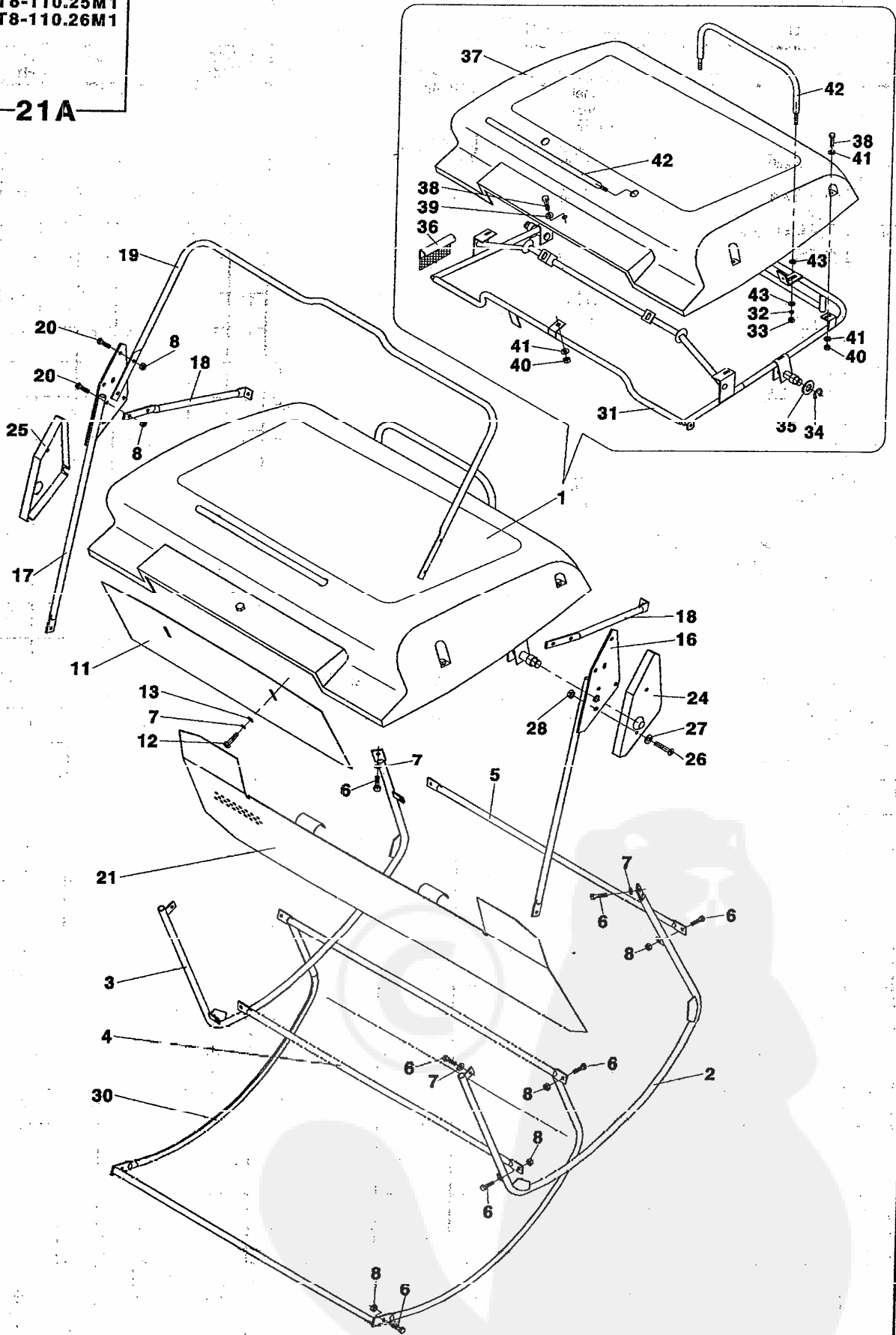
MT8-110.22M1
MT8-110.25M1
MT8-110.26M1
MT8-110.28H1
MT8-110.29H1
MT8-112.29H1
MT8-112.49H1

20



MT8-110.22M1
MT8-110.25M1
MT8-110.26M1

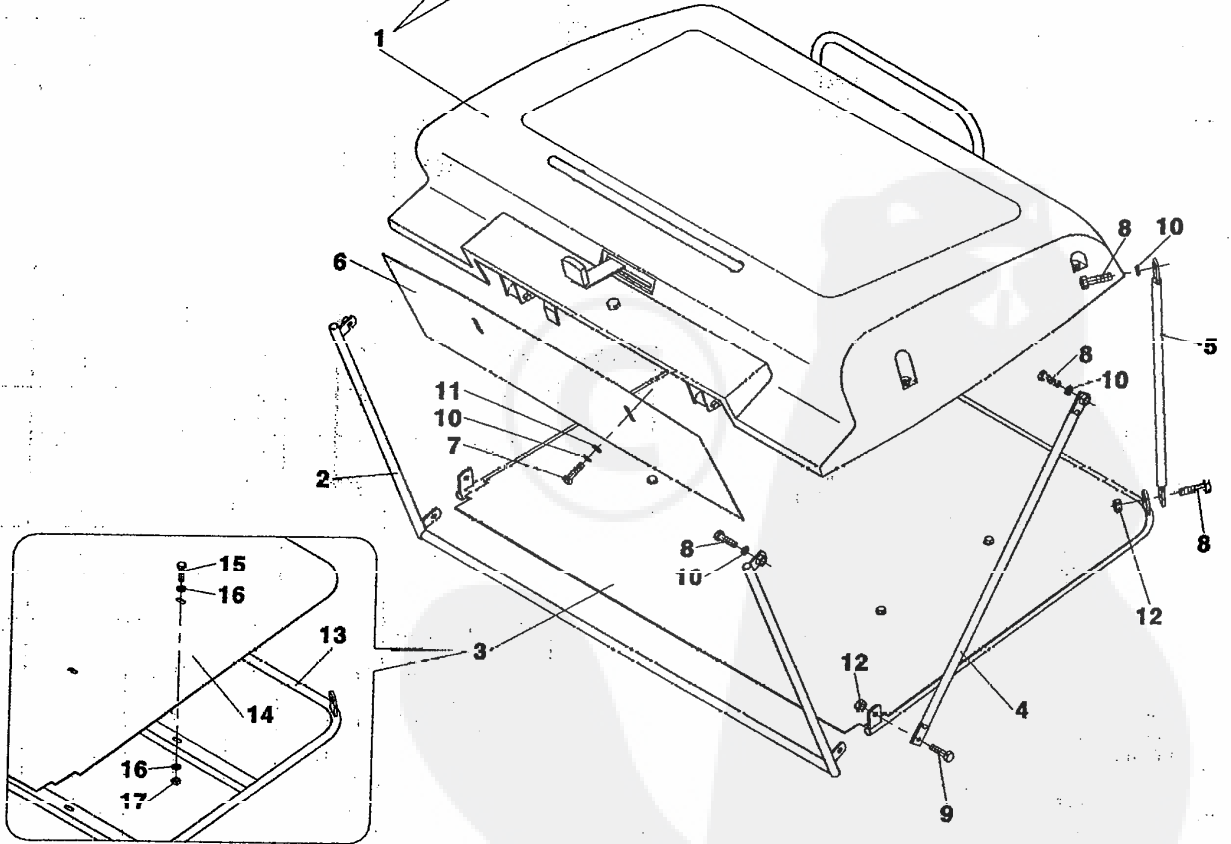
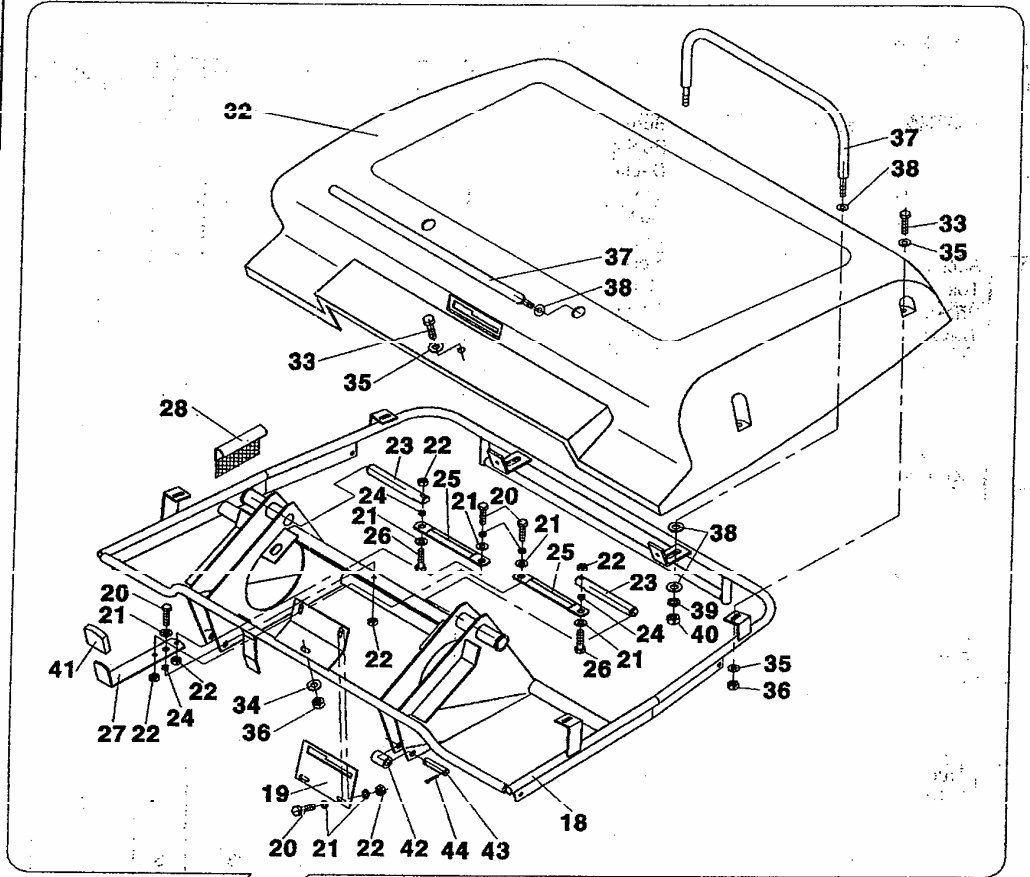
21A



| 21 Zásobník rozložený Bunker | | | | MT8-... | | | | | | | |
|------------------------------|-------------------------------------|----------------------|---------|---------------|-----|-----|-----|-----|-----|-----|--|
| A Trémie Bunker | | | | 110 | | | | 112 | | | |
| 1 | 2 | 3 | 4 | 22 | 25 | 26 | 28 | 29 | 29 | 49 | |
| | | | | M.1 | M.1 | M.1 | M.1 | M.1 | M.1 | M.1 | |
| - | Zásobník rozložený Trémie | Bunker | Y0230 | 1 | 1 | 1 | - | - | - | - | |
| 1 | Víko zásobníku Couvercle | Deckel Cover | E2714 | 1 | 1 | 1 | - | - | - | - | |
| 2 | Bočnice levá Tole | Seitenteil Side | E2755 | 1 | 1 | 1 | - | - | - | - | |
| 3 | Bočnice pravá Tole | Seitenteil Side | E2756 | 1 | 1 | 1 | - | - | - | - | |
| 4 | Příčka Travers | Diagonale Bar | E2750 | 1 | 1 | 1 | - | - | - | - | |
| 5 | Příčka Travers | Diagonale Bar | E2754 | 1 | 1 | 1 | - | - | - | - | |
| 6 | Šroub M6x16 Vis | Schraube Screw | 062 841 | CSN 021103.15 | 12 | 12 | 12 | - | - | - | |
| 7 | Podložka 6 Rondelle | Unterlage Washer | 276 700 | CSN 021740.05 | 6 | 6 | 6 | - | - | - | |
| 8 | Malice M6 Écrou | Mutter Nut | 596 275 | CSN 021492.25 | 16 | 16 | 16 | - | - | - | |
| 11 | Clona Dispragme | Blende Protective | E2766 | 1 | 1 | 1 | - | - | - | - | |
| 12 | Šroub M6x10 Vis | Schraube Screw | 278 886 | CSN 021103.25 | 2 | 2 | 2 | - | - | - | |
| 13 | Podložka 6.4 Rondelle | Unterlage Washer | 070 805 | CSN 021702.15 | 6 | 6 | 6 | - | - | - | |
| 16 | Závěs levý Suspension | Gehaenger Suspension | E2735 | 1 | 1 | 1 | - | - | - | - | |
| 17 | Závěs pravý Suspension | Gehaenger Suspension | E2736 | 1 | 1 | 1 | - | - | - | - | |
| 18 | Trubka Tube | Rohr Tube | E2751 | 2 | 2 | 2 | - | - | - | - | |
| 19 | Madlo Manche | Griff Rail | E3443 | 1 | 1 | 1 | - | - | - | - | |
| 20 | Šroub M6x16 Vis | Schraube Screw | 062 841 | CSN 021103.15 | 8 | 8 | 8 | - | - | - | |
| 21 | Kryt Couvercle | Deckel Cover | E2760 | 1 | 1 | 1 | - | - | - | - | |
| 24 | Kryt levý 2-E2767 Couvercle | Deckel Cover | 022 696 | 1 | 1 | 1 | - | - | - | - | |
| 25 | Kryt pravý 2-E2768 Couvercle | Deckel Cover | 022 682 | 1 | 1 | 1 | - | - | - | - | |
| 26 | Šroub M5x20 Vis | Schraube Screw | 649 610 | CSN 021151.25 | 4 | 4 | 4 | - | - | - | |
| 27 | Podložka 5.3 Rondelle | Unterlage Washer | 070 476 | CSN 021702.15 | 4 | 4 | 4 | - | - | - | |
| 28 | Malice M5 Écrou | Mutter Nut | 111 545 | CSN 021492.25 | 4 | 4 | 4 | - | - | - | |
| 30 | Dno zásobníku Corps | Boden Bottom | E2745 | 1 | 1 | 1 | - | - | - | - | |
| 31 | Rám horní Cadre | Rahmen Frame | E2715 | 1 | 1 | 1 | - | - | - | - | |
| 32 | Podložka 10 Rondelle | Unterlage Washer | 071 541 | CSN 021740.05 | 4 | 4 | 4 | - | - | - | |
| 33 | Malice M10 Écrou | Mutter Nut | 069 183 | CSN 021401.25 | 4 | 4 | 4 | - | - | - | |
| 34 | Kroužek 15 Bague | Ring Ring | 007 252 | CSN 022929.05 | 2 | 2 | 2 | - | - | - | |
| 35 | Podložka 19 Rondelle | Unterlage Washer | 070 546 | CSN 021702.15 | 2 | 2 | 2 | - | - | - | |
| 36 | Potah zásobníku 3-E2730 Havřatament | Überzug Coat | 022 360 | 1 | 1 | 1 | - | - | - | - | |
| 37 | Kryt zásobníku Couvercle de la trém | Deckel Cover | E2731 | 1 | 1 | 1 | - | - | - | - | |
| 38 | Šroub M5x16 Vis | Schraube Screw | 580 792 | CSN 021103.15 | 5 | 5 | 5 | - | - | - | |
| 40 | Malice M5 Écrou | Mutter Nut | 111 545 | CSN 021492.25 | 5 | 5 | 5 | - | - | - | |
| 41 | Podložka 5.5 zink Rondelle | Unterlage Washer | 071 205 | CSN 021729 | 10 | 10 | 10 | - | - | - | |
| 42 | Oblouk Main courante | Bogen Bend | E3436 | 2 | 2 | 2 | - | - | - | - | |
| 43 | Podložka 10.5 Rondelle | Unterlage Washer | 070 504 | CSN 021702.15 | 8 | 8 | 8 | - | - | - | |
| 44 | Madlo Manche | Griff Rail | E3444 | 1 | 1 | 1 | - | - | - | - | |

MT8-110.28H1
MT8-110.29H1
MT8-112.29H1
MT8-112.49H1

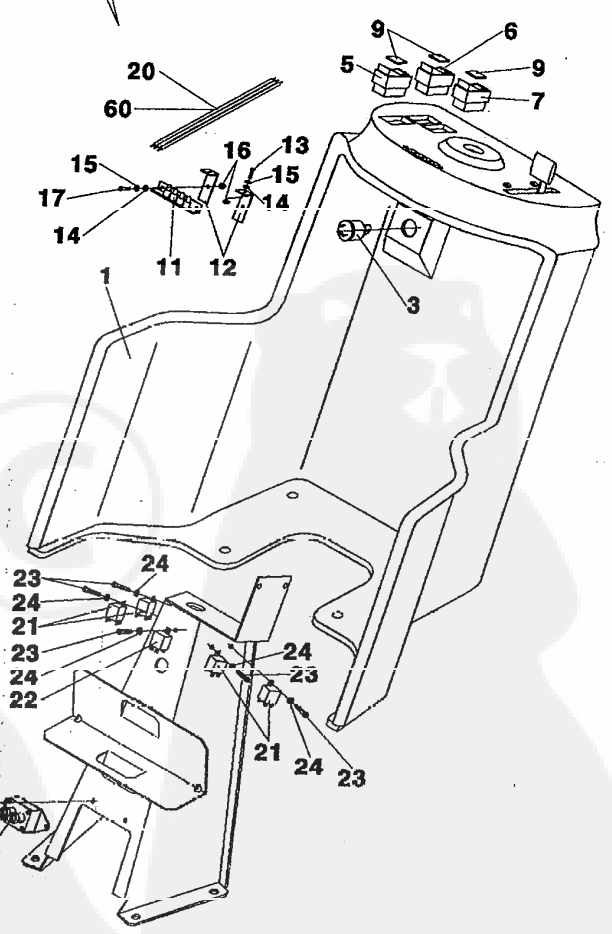
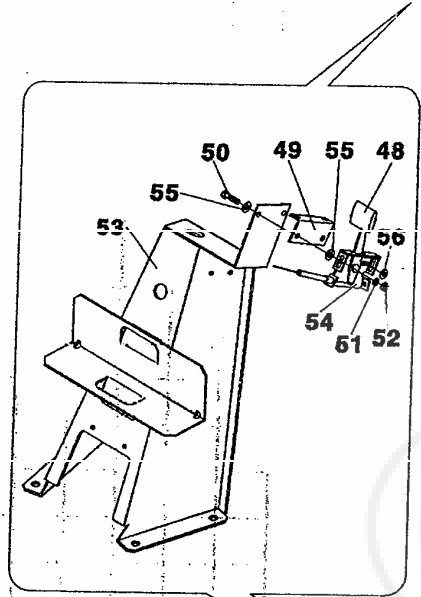
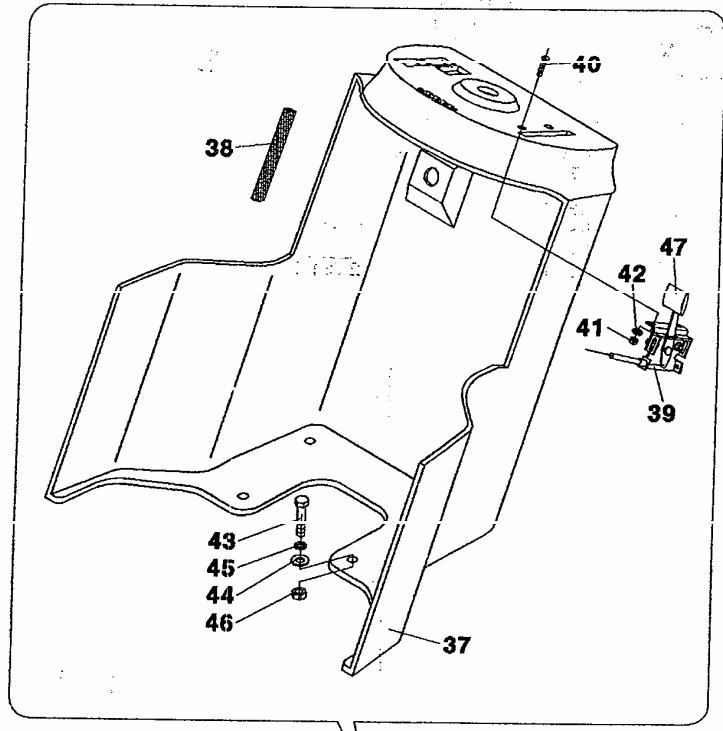
21B



| 21 Zásobník rozložený Bunker | | | | MT8-... | | | | | | | | |
|------------------------------|---------------------------------------|------------------------|---------|---------------|----------|----------|----------|----------|----------|----------|---|---|
| B Trémie | | Bunker | | 110 | | | | | 112 | | | |
| 1 | 2 | 3 | 4 | 22 M1 | 25 M1 | 26 M1 | 28 H1 | 29 H1 | 29 H1 | 40 H1 | | |
| - | Zásobník rozložený Trémie | Bunker Bunker | Y0430 | - | - | - | 1 | 1 | | 1 | 1 | |
| 1 | Víko zásobníku Couvercle | Deckel Cover | E3531 | - | - | - | 1 | 1 | | 1 | 1 | |
| 2 | Přední rám Cadre | Rahmen Frame | E3382 | - | - | - | 1 | 1 | | 1 | 1 | |
| 3 | Rám dna Cadre | Rahmen Frame | E3384 | - | - | - | 1 | 1 | | 1 | 1 | |
| 4 | Vzpěra I Travers | Diagonale Bar | E3391 | - | - | - | 2 | 2 | | 2 | 2 | |
| 5 | Vzpěra II Travers | Diagonale Bar | E3393 | - | - | - | 2 | 2 | | 2 | 2 | |
| 6 | Clona Disphragme | Blende Protective | E2766 | - | - | - | 1 | 1 | | 1 | 1 | |
| 7 | Šroub M6x10 Vis | Schraube Screw | 278 886 | CSN 021103.25 | - | - | - | 2 | 2 | | 2 | 2 |
| 8 | Šroub M6x16 Vis | Schraube Screw | 067 242 | CSN 021103.55 | - | - | - | 8 | 8 | | 8 | 8 |
| 9 | Šroub M6x20 Vis | Schraube Screw | 431 736 | CSN 021103.55 | - | - | - | 2 | 2 | | 2 | 2 |
| 10 | Podložka 6 Rondelle | Unterlage Washer | 276 700 | CSN 021740.05 | - | - | - | 8 | 8 | | 8 | 8 |
| 11 | Podložka 6.4 Rondelle | Unterlage Washer | 070 805 | CSN 021702.15 | - | - | - | 2 | 2 | | 2 | 2 |
| 12 | Maticice M6 Écrou | Mutter Nut | 596 275 | CSN 021492.25 | - | - | - | 4 | 4 | | 4 | 4 |
| 13 | Rám dna Cadre | Rahmen Frame | E3385 | | - | - | - | 1 | 1 | | 1 | 1 |
| 14 | Dno zásobníku Corps | Boden Bottom | E3389 | | - | - | - | 1 | 1 | | 1 | 1 |
| 15 | Šroub M6x16 Vis | Schraube Screw | 067 242 | CSN 021103.55 | - | - | - | 4 | 4 | | 4 | 4 |
| 16 | Podložka 6.4 Rondelle | Unterlage Washer | 070 805 | CSN 021702.15 | - | - | - | 8 | 8 | | 8 | 8 |
| 17 | Maticice M6 Écrou | Mutter Nut | 596 275 | CSN 021492.25 | - | - | - | 4 | 4 | | 4 | 4 |
| 18 | Rám horní Cadre | Rahmen Frame | E3532 | | - | - | - | 1 | 1 | | 1 | 1 |
| 19 | Verení Conduite | Leitung Line | E3374 | | - | - | - | 1 | 1 | | 1 | 1 |
| 20 | Šroub M6x16 Vis | Schraube Screw | 067 242 | CSN 021103.15 | - | - | - | 5 | 5 | | 5 | 5 |
| 21 | Podložka 6.4 Rondelle | Unterlage Washer | 435 541 | CSN 021702.15 | - | - | - | 9 | 9 | | 9 | 9 |
| 22 | Maticice M6 Écrou | Mutter Nut | 596 275 | CSN 021492.25 | - | - | - | 5 | 5 | | 5 | 5 |
| 23 | Čep Tourillon | Bolzen Pin | E0631 | | - | - | - | 2 | 2 | | 2 | 2 |
| 24 | Rozpěrka Entretoise | Spreitze Spacer | E0633 | | - | - | - | 5 | 5 | | 5 | 5 |
| 25 | Táhlo Tige de traction | Zugstange Draw. rod | E0634 | | - | - | - | 2 | 2 | | 2 | 2 |
| 26 | Šroub M6x25 Vis | Schraube Screw | 093 145 | CSN 021101.55 | - | - | - | 2 | 2 | | 2 | 2 |
| 27 | Páka Lever | Hebel Lever | E3375 | | - | - | - | 1 | 1 | | 1 | 1 |
| 28 | Potah zásobníku 0-C0508 Revêtement | Überzug Coat | 026 144 | | - | - | - | 1 | 1 | | 1 | 1 |
| 29 | Víko zásobníku Couvercle | Deckel Cover | E3373 | | - | - | - | 1 | 1 | | 1 | 1 |
| 33 | Šroub M5x16 Vis | Schraube Screw | 580 792 | CSN 021103.15 | - | - | - | 5 | 5 | | 5 | 5 |
| 34 | Podložka 5.3 Rondelle | Unterlage Washer | 070 476 | CSN 021702.15 | - | - | - | 1 | 1 | | 1 | 1 |
| 35 | Podložka 5.5 zink Rondelle | Unterlage Washer | 071 205 | CSN 021729 | - | - | - | 9 | 9 | | 9 | 9 |
| 36 | Maticice M5 Écrou | Mutter Nut | 111 545 | CSN 021492.25 | - | - | - | 5 | 5 | | 5 | 5 |
| 37 | Oblouk Main courante | Bogen Bend | E3436 | | - | - | - | 2 | 2 | | 2 | 2 |
| 38 | Podložka 10.5 Rondelle | Unterlage Washer | 070 504 | CSN 021702.15 | - | - | - | 8 | 8 | | 8 | 8 |
| 39 | Podložka 10 Rondelle | Unterlage Washer | 071 541 | CSN 021740.05 | - | - | - | 4 | 4 | | 4 | 4 |

MT8-110.22M1
MT8-110.25M1

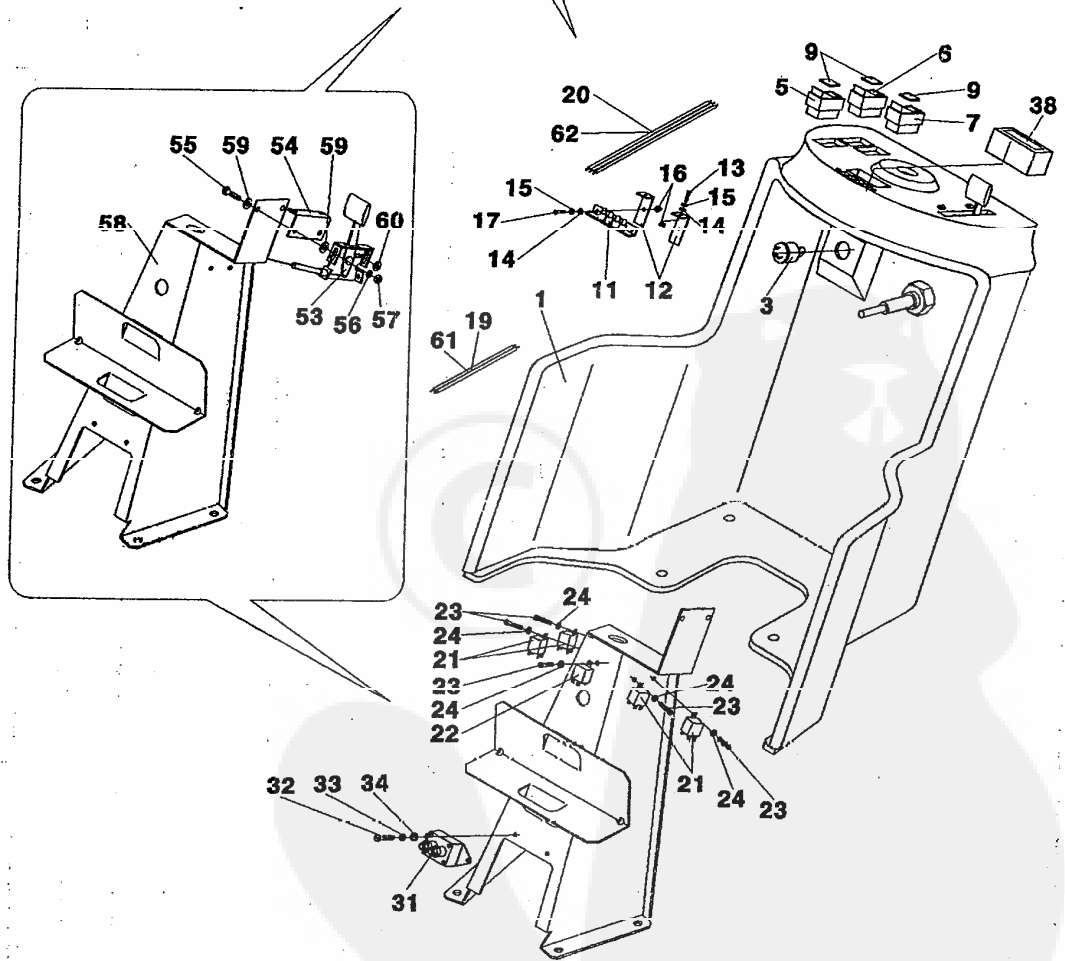
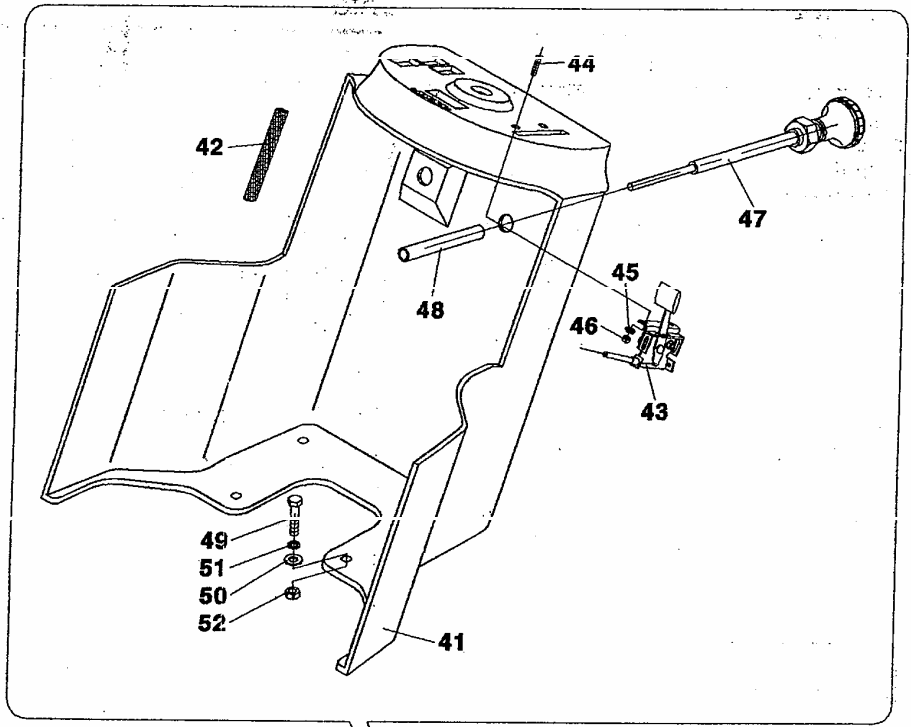
25A



| 25 Panel přístrojů | | | Armaturentafel kasten | | MT8-... | | | | | | |
|--------------------|---|--------------------------------------|-----------------------|---------------------|----------|----------|----------|----------|----------|----------|--|
| A Panneau | | | Instrumental panel | | 110 | | | | | 112 | |
| 1 | 2 | 3 | 4 | 22 M1 | 25 M1 | 26 M1 | 28 H1 | 29 H1 | 29 H1 | 49 H1 | |
| - | Panel přístrojů Panneau | Armaturentafel Instrumental panel | E3905 | | 1 | - | - | - | - | - | |
| - | Panel přístrojů Panneau | Armaturentafel Instrumental panel | E3906 | | - | 1 | - | - | - | - | |
| 1 | Panel s ovládáním Panneau | Paneel Panel | E3030 | | 1 | - | - | - | - | - | |
| 1 | Panel s ovládáním Panneau | Paneel Panel | E3031 | | - | 1 | - | - | - | - | |
| 3 | Spínač skříňka 14.111.000 Commut. d'écrl. etd' all | Schaltkasten Switch box | 007 385 | | 1 | 1 | - | - | - | - | |
| 5 | Spínač 16.354.100.01 Commutateur | Schalter Switch | 017 871 | | 1 | 1 | - | - | - | - | |
| 6 | Spínač 17.350.100.01 Commutateur | Schalter Switch | 018 110 | | 1 | 1 | - | - | - | - | |
| 7 | Spínač 16.350.100.01 Commutateur | Schalter Switch | 018 131 | | 1 | 1 | - | - | - | - | |
| 9 | Záslepka P/N 13.350.115 Bouchon | Verblendung Blinder | 021 036 | | 3 | 3 | - | - | - | - | |
| 11 | Deska kontrolék E0923 Planquette | Platte Plate | 017 983 | | 1 | 1 | - | - | - | - | |
| 12 | Držák Support | Halter Holder | E0938 | | 2 | 2 | - | - | - | - | |
| 13 | Šroub M3x10 Vis | Schraube Screw | 410 686 | ČSN 021151.24 | 2 | 2 | - | - | - | - | |
| 14 | Podložka 3.2 Rondelle | Unterlage Washer | 310 440 | ČSN 021702.14 | 4 | 4 | - | - | - | - | |
| 15 | Podložka 3 Rondelle | Unterlage Washer | 288 063 | ČSN 021740.04 | 4 | 4 | - | - | - | - | |
| 16 | Matice M3 Écrou | Mutter Nut | 310 461 | ČSN 021401.24 | 4 | 4 | - | - | - | - | |
| 17 | Šroub M3x8 Vis | Schraube Screw | 458 721 | ČSN 021131.24 | 2 | 2 | - | - | - | - | |
| 20 | Svazek vodičů MT8-110.22 Faisceau de cond. | Buendel Bundle | E3910 | | 1 | - | - | - | - | - | |
| 20 | Svazek vodičů MT8-110.25 Faisceau de cond. | Buendel Bundle | E3911 | | - | 1 | - | - | - | - | |
| 21 | Relé přepínací 12V 443811445141 Régulateur | Relais Relay | 012 182 | | 4 | 4 | - | - | - | - | |
| 22 | Relé 443811445145 Régulateur | Relais Relay | 022 332 | | 1 | 1 | - | - | - | - | |
| 23 | Šroub 4.8x9.5 Vis | Schraube Screw | 022 262 | ČSN 021232.05 | 5 | 5 | - | - | - | - | |
| 24 | Podložka 5.3 Rondelle | Unterlage Washer | 071 674 | ČSN 021745.05 | 5 | 5 | - | - | - | - | |
| 31 | Solenoid 424 285 Solénoïde | Magnetschalter Selenod | 007 630 | RAPID 12V HD 50% | 1 | 1 | - | - | - | - | |
| 32 | Šroub M6x12 Vis | Schraube Screw | 475 700 | ČSN 021131.24 | 2 | 2 | - | - | - | - | |
| 33 | Podložka 6.4 Rondelle | Unterlage Washer | 070 483 | ČSN 021702.14 | 2 | 2 | - | - | - | - | |
| 34 | Podložka 6.4 Rondelle | Unterlage Washer | 071 681 | ČSN 021745.05 | 2 | 2 | - | - | - | - | |
| 37 | Panel Panneau | Paneel Panel | E3036 | | 1 | 1 | - | - | - | - | |
| 38 | Lemovka Profil de fermeture | Einfassband Edgins | Y0234 | | 1 | 1 | - | - | - | - | |
| 39 | Ovladač plynu Commande | Betätigung Flap actuator | E3040 | | 1 | - | - | - | - | - | |
| 40 | Šroub M5x12 Vis | Schraube Screw | 065 056 | ČSN 021151.25 | 2 | 2 | - | - | - | - | |
| 41 | Podložka 5.3 Rondelle | Unterlage Washer | 071 674 | ČSN 021745.05 | 2 | 2 | - | - | - | - | |
| 42 | Matice M5 Écrou | Mutter Nut | 069 155 | ČSN 021401.25 | 2 | 2 | - | - | - | - | |
| 43 | Šroub M8x25 Vis | Schraube Screw | 067 305 | ČSN 021103.55 | 4 | 4 | - | - | - | - | |
| 44 | Podložka 8.4 Rondelle | Unterlage Washer | 070 812 | ČSN 021702.15 | 8 | 8 | - | - | - | - | |
| 45 | Podložka 8 Rondelle | Unterlage Washer | 276 721 | ČSN 021740.05 | 4 | 4 | - | - | - | - | |
| 46 | Matice M8 Écrou | Mutter Nut | 069 176 | ČSN 021401.25 | 4 | 4 | - | - | - | - | |
| 47 | Ovladač plynu Commande | Betätigung Flap actuator | E3042 | | - | 1 | - | - | - | - | |

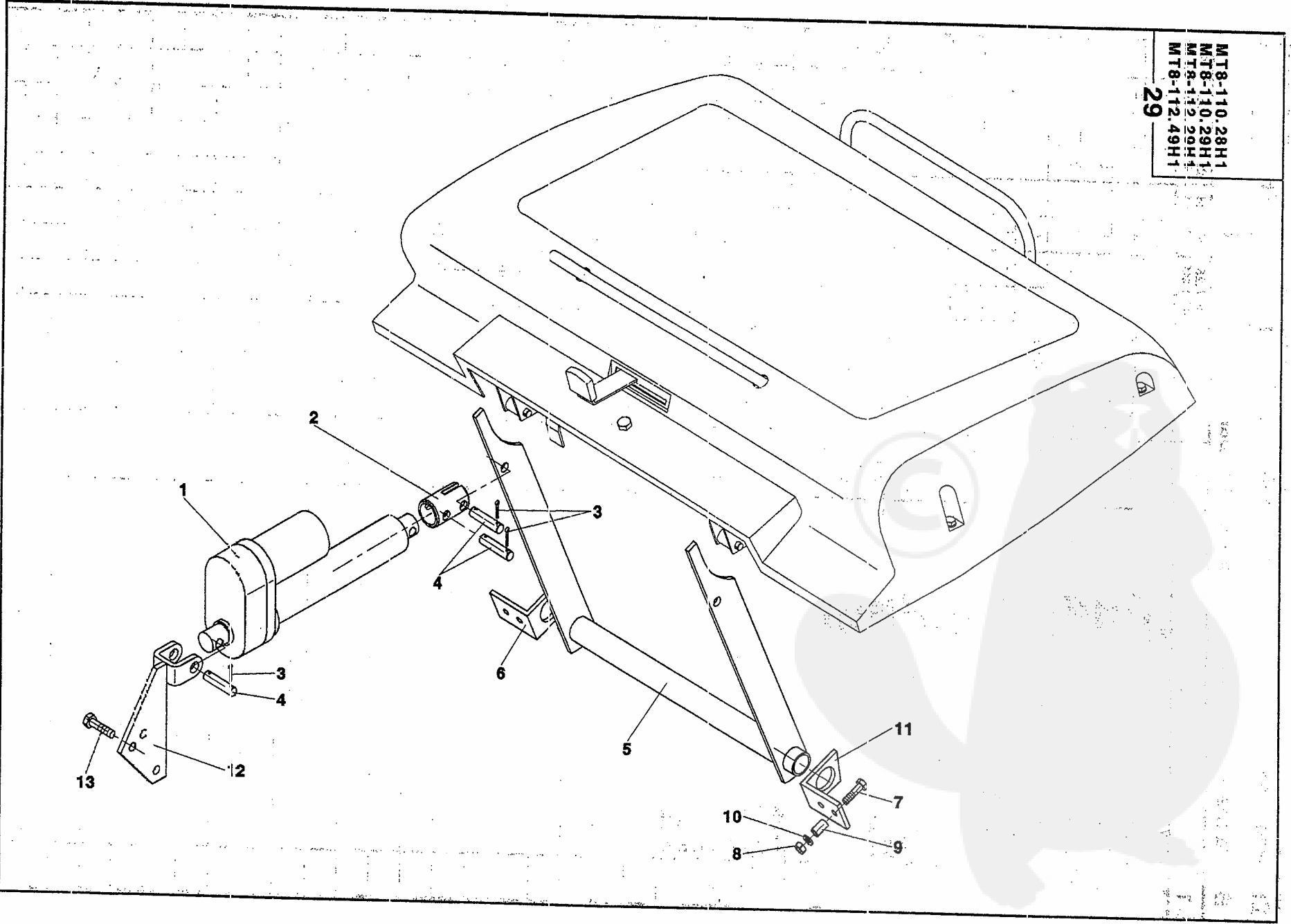
MT8-110.26M1
MT8-110.28H1
MT8-110.29H1
MT8-112.29H1
MT8-112.49H1

25B



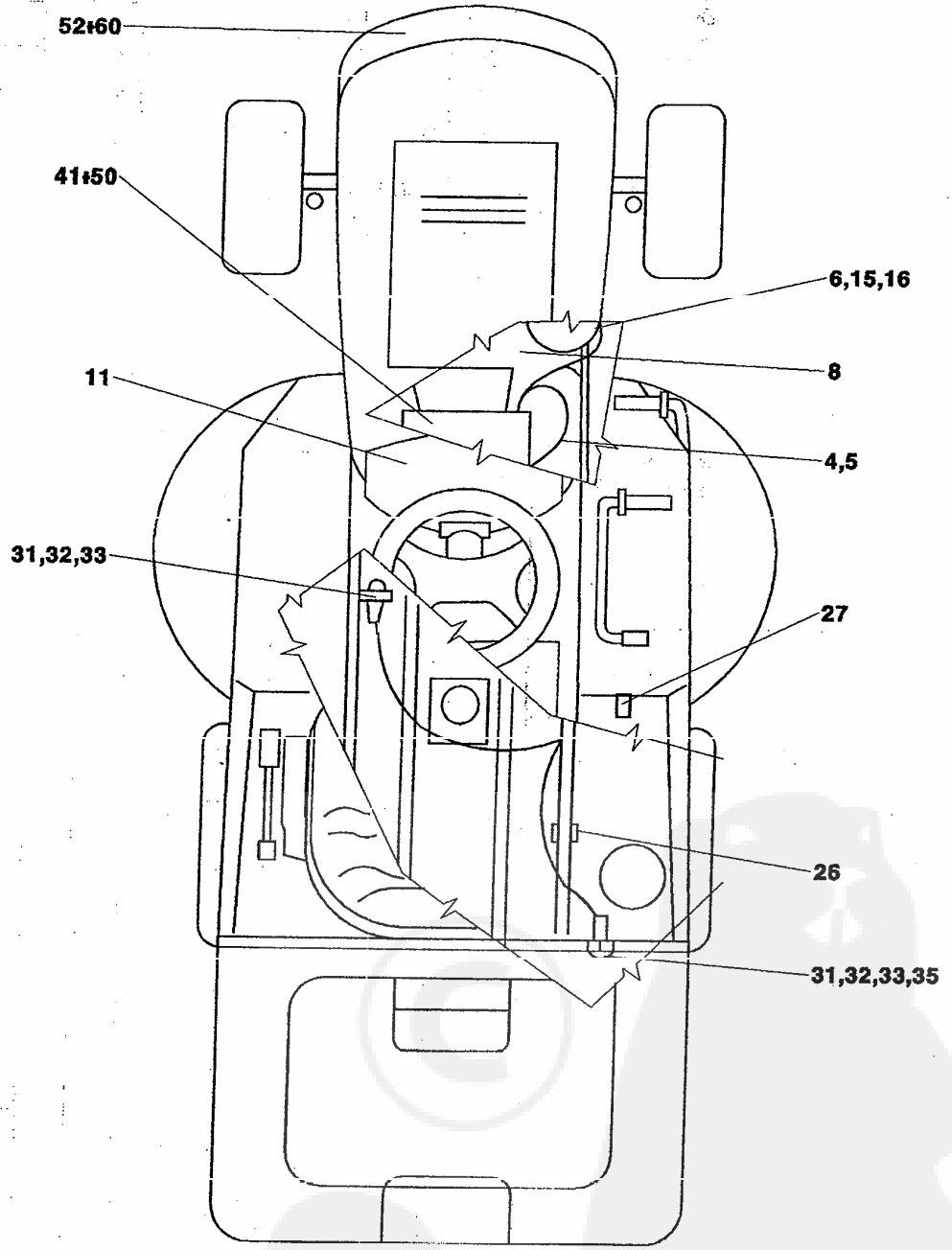
| 25 Panel přístrojů | | Armaturentafel kasten | | MT8-... | | | | | | | |
|--------------------|---|--------------------------------------|---------|---------------------|----------|----------|----------|----------|----------|----------|--|
| B Panneau | | Instrumental panel | | 110 | | | | 112 | | | |
| 1 | 2 | 3 | 4 | 22 M1 | 25 M1 | 26 M1 | 28 H1 | 29 H1 | 29 H1 | 49 H1 | |
| - | Panel přístrojů Panneau | Armaturentafel Instrumental panel | E3907 | - | - | 1 | - | - | - | - | |
| - | Panel přístrojů Panneau | Armaturentafel Instrumental panel | E3908 | - | - | - | 1 | 1 | - | 1 | |
| - | Panel přístrojů Panneau | Armaturentafel Instrumental panel | E3909 | - | - | - | - | - | - | 1 | |
| 1 | Panel s ovládním Panneau | Panel Panel | E3032 | - | - | 1 | 1 | 1 | - | 1 | |
| 1 | Panel s ovládním Panneau | Panel Panel | E3633 | - | - | - | - | - | - | 1 | |
| 3 | Spínací skříňka 14.111.000 Commut. d'écl. etd' all | Schaltkasten Switch box | 007 385 | - | - | 1 | 1 | 1 | - | 1 | |
| 5 | Spínač 16.354.100.01 Commutateur | Schalter Switch | 017 871 | - | - | 1 | 1 | 1 | - | 1 | |
| 6 | Spínač 17.350.100.01 Commutateur | Schalter Switch | 018 110 | - | - | 1 | 1 | 1 | - | 1 | |
| 7 | Spínač 16.350.100.01 Commutateur | Schalter Switch | 018 131 | - | - | 1 | 1 | 1 | - | 1 | |
| 9 | Záslepka P/N 13.350.115 Bouchon | Verblendung Blinder | 021 036 | - | - | 3 | 3 | 3 | - | 3 | |
| 11 | Deska kontrolék E0923 Plaque | Platte Plate | 017 983 | - | - | 1 | 1 | 1 | - | 1 | |
| 12 | Držák Support | Halter Holder | E0938 | - | - | 2 | 2 | 2 | - | 2 | |
| 13 | Šroub M3x10 Vis | Schraube Screw | 410 686 | ČSN 021151.24 | - | - | 2 | 2 | - | 2 | |
| 14 | Podložka 3.2 Rondelle | Unterlage Washer | 310 440 | ČSN 021702.15 | - | - | 4 | 4 | - | 4 | |
| 15 | Podložka 3 Rondelle | Unterlage Washer | 288 063 | ČSN 021740.04 | - | - | 4 | 4 | - | 4 | |
| 16 | Maticice M3 Écrou | Mutter Nut | 069 134 | ČSN 021401.25 | - | - | 4 | 4 | - | 4 | |
| 17 | Šroub M3x8 Vis | Schraube Screw | 458 721 | ČSN 021131.24 | - | - | 2 | 2 | - | 2 | |
| 19 | Svazek vyklápní 3WN19527 Faisceau de cond. | Buendel Bundle | 027 930 | - | - | - | 1 | 1 | - | 1 | |
| 20 | Svazek vodičů MT8-110.26 Faisceau de cond. | Buendel Bundle | E3912 | - | - | 1 | 1 | 1 | - | - | |
| 20 | Svazek vodičů MT8-112.49 Faisceau de cond. | Buendel Bundle | E3913 | - | - | - | - | - | - | 1 | |
| 21 | Relé přepínací 12V Régulateur | Relais Relay | 012 182 | - | - | 4 | 5 | 5 | - | 5 | |
| 22 | Relé 443811445145 Régulateur | Relais Relay | 022 332 | - | - | 1 | 1 | 1 | - | 1 | |
| 23 | Šroub 4.8x9.5 Vis | Schraube Screw | 022 262 | ČSN 021232.05 | - | - | 5 | 6 | - | 6 | |
| 24 | Podložka 5.3 Rondelle | Unterlage Washer | 071 674 | ČSN 021745.05 | - | - | 5 | 6 | - | 6 | |
| 31 | Solenoid 424 285 Solenoid | Magnetschalter Solenoid | 007 630 | RAPID 12V HD 50% | - | - | 1 | 1 | - | 1 | |
| 32 | Šroub M6x12 Vis | Schraube Screw | 475 700 | ČSN 021131.24 | - | - | 2 | 2 | - | 2 | |
| 33 | Podložka 6.4 Rondelle | Unterlage Washer | 070 805 | ČSN 021702.15 | - | - | 2 | 2 | - | 2 | |
| 34 | Podložka 6.4 Rondelle | Unterlage Washer | 071 681 | ČSN 021745.05 | - | - | 2 | 2 | - | 2 | |
| 38 | Počítadlo 700DN 1224VDC Compteur | Kilometerzähler Odometer | 017 976 | CURTIS | - | - | 1 | 1 | - | 1 | |
| 41 | Panel Panneau | Panel Panel | E3037 | - | - | 1 | 1 | 1 | - | 1 | |
| 42 | Lemovka Profil de fermeture | Einfassband Edgins | Y0234 | - | - | 1 | 1 | 1 | - | 1 | |
| 43 | Ovladač plynu Commande | Betätigung Flap actuator | E3044 | - | - | 1 | 1 | 1 | - | - | |
| 43 | Ovladač plynu Commande | Betätigung Flap actuator | E3634 | - | - | - | - | - | - | 1 | |
| 44 | Šroub M5x12 Vis | Schraube Screw | 065 056 | ČSN 021151.25 | - | - | 2 | 2 | - | 2 | |
| 45 | Podložka 5.3 Rondelle | Unterlage Washer | 071 674 | ČSN 021745.05 | - | - | 2 | 2 | - | 2 | |
| 46 | Maticice M5 Écrou | Mutter Nut | 069 155 | ČSN 021401.25 | - | - | 2 | 2 | - | 2 | |
| 47 | Ovladač sytiče Commande | Betätigung Flap actuator | E3029 | - | - | 1 | 1 | 1 | - | 1 | |

MT8-110.28H1
MT8-110.29H1
MT8-112.29H1
MT8-112.49H1
29



MT8-110.22M1
MT8-110.25M1
MT8-110.26M1
MT8-110.28H1
MT8-110.29H1
MT8-112.29H1
MT8-112.49H1

30



| 30 Elektrovýzbroj | | Elektrische anlage | | MT8-... | | | | | | | |
|-------------------|--|-------------------------------------|---------|---------------|----------|----------|----------|----------|----------|----------|--|
| Éqvipement élect. | | Elekt. system | | 110 | | | | 112 | | | |
| 1 | 2 | 3 | 4 | 22 M1 | 25 M1 | 26 M1 | 28 H1 | 29 H1 | 29 H1 | 49 H1 | |
| - | Elektrovýzbroj Éqvipement élect. | Elektrische anlage Elekt. system | E3900 | 1 | - | - | - | - | - | - | |
| - | Elektrovýzbroj Éqvipement élect. | Elektrische anlage Elekt. system | E3901 | - | 1 | - | - | - | - | - | |
| - | Elektrovýzbroj Éqvipement élect. | Elektrische anlage Elekt. system | E3902 | - | - | 1 | - | - | - | - | |
| - | Elektrovýzbroj Éqvipement élect. | Elektrische anlage Elekt. system | E3903 | - | - | - | 1 | 1 | - | 1 | |
| - | Elektrovýzbroj Éqvipement élect. | Elektrische anlage Elekt. system | E3904 | - | - | - | - | - | - | 1 | |
| 4 | Propoj vodič 3WN 19535 Conducteur | Leiter El. conductor | 027 874 | 1 | 1 | 1 | 1 | 1 | - | 1 | |
| 5 | Propoj vodič 3WN 19536 Conducteur | Leiter El. conductor | 027 881 | 1 | 1 | 1 | 1 | 1 | - | 1 | |
| 6 | Propoj vodič 3WN 19534 Conducteur | Leiter El. conductor | 027 902 | 1 | 1 | 1 | 1 | 1 | - | 1 | |
| 8 | Podložka 8.4 Rondelle | Unterlage Washer | 426 680 | CSN 021745.05 | 1 | 1 | 1 | 1 | 1 | 1 | |
| 11 | Panel přístrojů Panneau | Armat. kasten Instr. panel | E3905 | 1 | - | - | - | - | - | - | |
| 11 | Panel přístrojů Panneau | Armat. kasten Instr. panel | E3906 | - | 1 | - | - | - | - | - | |
| 11 | Panel přístrojů Panneau | Armat. kasten Instr. panel | E3907 | - | - | 1 | - | - | - | - | |
| 11 | Panel přístrojů Panneau | Armat. kasten Instr. panel | E3908 | - | - | - | 1 | 1 | - | 1 | |
| 11 | Panel přístrojů Panneau | Armat. kasten Instr. panel | E3909 | - | - | - | - | - | - | 1 | |
| 15 | Maticе 1/4"-20 Écrou | Mutter Nut | 014 501 | UNC 6 VZB | 1 | 1 | - | - | - | - | |
| 16 | Podložka 6.4 Rondelle | Unterlage Washer | 071 681 | CSN 021745.05 | 1 | 1 | 1 | 1 | 1 | 1 | |
| 19 | Vidlice 2.1-2pólová Fourche | Gabel Fork | 027 846 | | 1 | 1 | 1 | 1 | 1 | 1 | |
| 20 | Kolík 2.1 Cheville | Stift Pin | 027 825 | | 2 | 2 | 2 | 2 | 2 | 2 | |
| 26 | Průchodka 11x2 Isolateur de traversiores | Durchfuhr. Bushing | 052 446 | CSN 63 3881.1 | - | - | - | 1 | 1 | 1 | |
| 27 | Spínač VLD1S 00BA ZB00 Interrupteur | Schalter Switch | 023 096 | | - | - | - | 1 | 1 | 1 | |
| 31 | Spínač 443854202000 Interrupteur | Schalter Switch | 656 670 | | 2 | 2 | 2 | 2 | 2 | 2 | |
| 32 | Krytka pryžová D0911 Chapcau | Deckel Cover | 012 161 | | 2 | 2 | 2 | 2 | 2 | 2 | |
| 33 | Maticе Écrou | Mutter Nut | D0642 | | 2 | 2 | 2 | 2 | 2 | 2 | |
| 35 | Těsnící kroužek 14x18x1.5 Bague | Ring Ring | 088 082 | CSN 029310.3 | 1 | 1 | 1 | 1 | 1 | 1 | |
| 37 | Pásek stahovací 100x2,5 Bande | Band Band | 017 941 | | 2 | 2 | 2 | 2 | 2 | 2 | |
| 38 | Pásek stahovací 200x3,6 Bande | Band Band | 007 644 | | 1 | 1 | 1 | 1 | 1 | 2 | |
| 39 | Pásek s příchytkou 195x4.8 Bande | Band Band | 017 962 | | 3 | 3 | 3 | 3 | 3 | 3 | |
| 41 | Akumulátor HITECH 7AR Accumulateur | Akku Accumulator | 002 375 | | 1 | 1 | 1 | 1 | 1 | 1 | |
| 42 | Sroub M6x20 Vis | Schraube Screw | 308 992 | CSN 021103.15 | 2 | 2 | 2 | 2 | 2 | 2 | |
| 43 | Podložka 6.4 Rondelle | Unterlage washer | 070 805 | CSN 021702.15 | 2 | 2 | 2 | 2 | 2 | 2 | |
| 44 | Podložka 6 Rondelle | Unterlage Washer | 276 700 | CSN 021740.05 | 2 | 2 | 2 | 2 | 2 | 2 | |
| 45 | Maticе M6 Écrou | Mutter Nut | 276 875 | CSN 021401.24 | 2 | 2 | 2 | 2 | 2 | 2 | |
| 47 | Příchytka Agrafe | Schelle Clip | E3025 | | 1 | 1 | 1 | 1 | 1 | 1 | |
| 48 | Táhlo Tige | Zugstange Grawing rod | E3024 | | 2 | 2 | 2 | 2 | 2 | 2 | |
| 49 | Podložka 6.4 Rondelle | Unterlage washer | 070 805 | CSN 021702.15 | 2 | 2 | 2 | 2 | 2 | 2 | |
| 50 | Maticе M6 Écrou | Mutter Nut | 069 162 | CSN 021401.25 | 2 | 2 | 2 | 2 | 2 | 2 | |
| 52 | Uzávěr objímky 8101.339 Fermet. de machon | Verschluss Closure | 647 081 | | - | - | 2 | 2 | 2 | 2 | |

