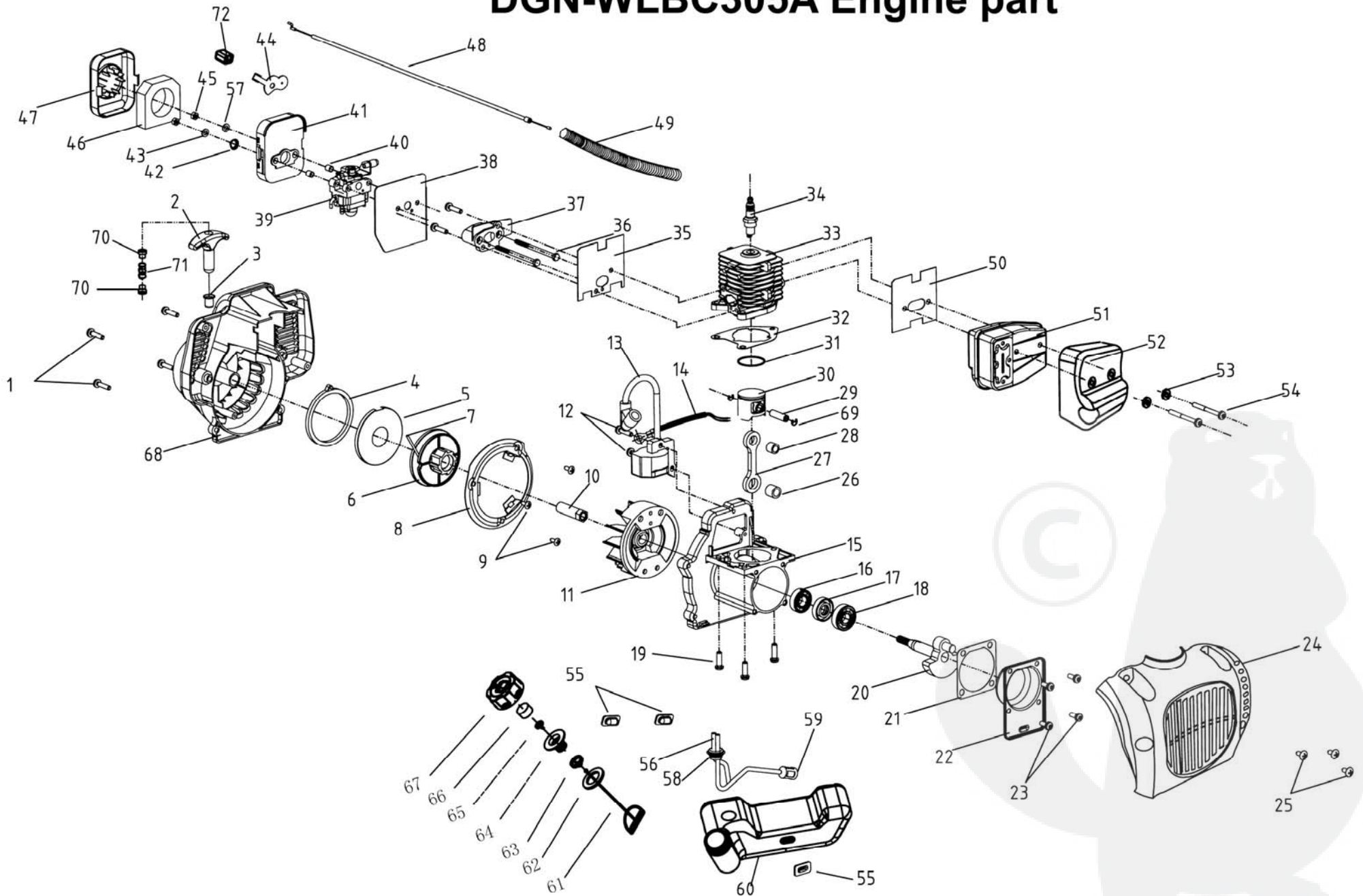


# DGN-WLBC305A Engine part



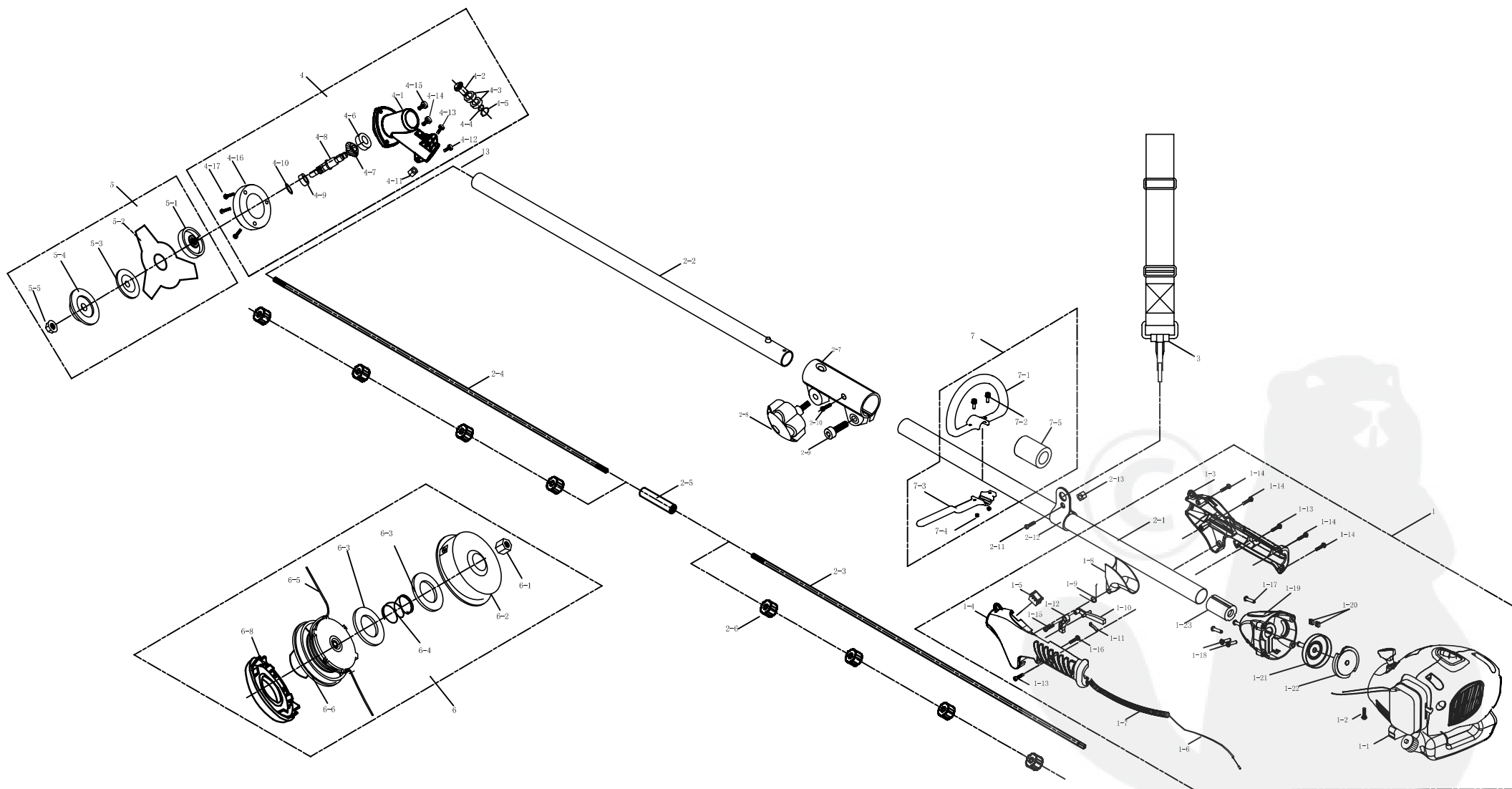
### DGN-WLBC3050A engine parts list

Parts code	Référence	Description	Qty	Remarque
1	MBC30MOT-1	Screw	4	M5 x 20
2	MBC30MOT-2	Hand grip	1	
3	MBC30MOT-3	Knob	1	
4	MBC30MOT-4	Spring	1	
5	MBC30MOT-5	Spring cover	1	
6	MBC30MOT-6	Reel	1	
7	MBC30MOT-7	Rope	1	
8	MBC30MOT-8	Orientation sheet	1	
9	MBC30MOT-9	Screw	3	M4 x 12
10	MBC30MOT-10	Pole	1	
11	MBC30MOT-11	Rotor	1	
12	MBC30MOT-12	Screw	4	M5 x 23
13	MBC30MOT-13	Coil assy.	1	
14	MBC30MOT-14	Cord comp A	1	
15	MBC30MOT-15	Crankcase	1	
16	MBC30MOT-16	Bearing	1	6001LLU
17	MBC30MOT-17	Oil seal	1	28 x 12 x 7
18	MBC30MOT-18	Bearing	1	6201
19	MBC30MOT-19	Bolt	3	M6 x 20
20	MBC30MOT-20	Screw assy.	1	
21	MBC30MOT-21	Washer	1	
22	MBC30MOT-22	Cover	1	
23	MBC30MOT-23	Screw	4	M5 x 15
24	MBC30MOT-24	Engine cover A	1	
25	MBC30MOT-25	Screw	3	M5 x 16
26	MBC30MOT-26	Bearing	1	9,5 x 14,3 x 12,7
27	MBC30MOT-27	Link	1	
28	MBC30MOT-28	Bearing	1	8 x 12 x 10
29	MBC30MOT-29	Pin	1	
30	MBC30MOT-30	Piston	1	
31	MBC30MOT-31	Ring	1	
32	MBC30MOT-32	Washer	1	
33	MBC30MOT-33	Cylinder	1	
34	MBC30MOT-34	Spark pluk	1	RC6Y/LD-L8RTC
35	MBC30MOT-35	Washer	1	
36	MBC30MOT-36	Bolt M5 x 70	2	M5 x 70
37	MBC30MOT-37	Insulator	1	
38	MBC30MOT-38	Washer	1	
39	MBC30MOT-39	Carburator	1	
40	MBC30MOT-40	Ring	1	
41	MBC30MOT-41	Body	1	
42	MBC30MOT-42	Spring	1	
43	MBC30MOT-43	Washer	2	5 x 8
44	MBC30MOT-44	Plate	1	
45	MBC30MOT-45	Nut	2	M5 x 0,8
46	MBC30MOT-46	Element	1	
47	MBC30MOT-47	Cover	1	
48	MBC30MOT-48	Corde A	1	
49	MBC30MOT-49	Moire pipe	1	
50	MBC30MOT-50	Washer	1	
51	MBC30MOT-51	Muffler	1	
52	MBC30MOT-52	Muffler - Cover	1	
53	MBC30MOT-53	Washer	2	M5 x 18

54	MBC30MOT-54	Screw	2	M5 x 33
55	MBC30MOT-55	Washer	3	
56	MBC30MOT-56	Pipe	1	
57	MBC30MOT-57	Washer	2	M5 x 13,5
58	MBC30MOT-58	Pipe base	1	
59	MBC30MOT-59	Filter assy.	1	
60	MBC30MOT-60	Fuel tank	1	
61	MBC30MOT-61	Anti-swap board	1	
62	MBC30MOT-62	Rubber	1	
63	MBC30MOT-63	Seat	1	
64	MBC30MOT-64	Seat	1	
65	MBC30MOT-65	Holding valve	1	
66	MBC30MOT-66	Filter screen	1	
67	MBC30MOT-67	Fuel cap	1	
68	MBC30MOT-68	Engine cover A	1	
69	MBC30MOT-69	Ring	2	
70	MBC30MOT-70	Sheath	2	
71	MBC30MOT-71	Spring	1	
72	MBC30MOT-72	Cap	1	



# DGN-WLBC305A Machine Part



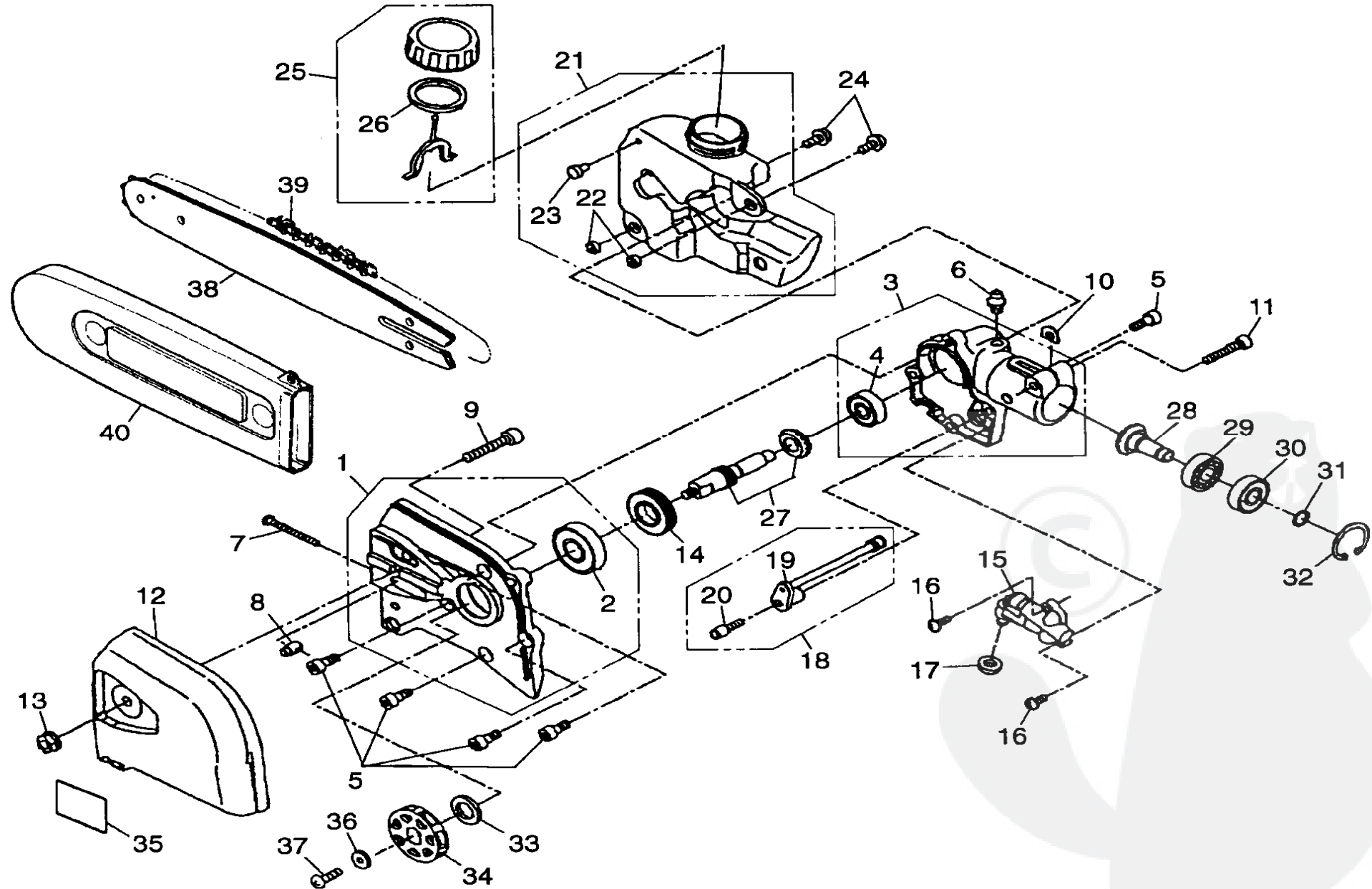
### Machine parts list

Parts code	Référence	Description	Qty
1	MBC30MACH-1	Engine assy.	1
1-1	MBC30MACH-1-1	Engine	1
1-2	MBC30MACH-1-2	Screw	1
1-3	MBC30MACH-1-3	Housing handle	1
1-4	MBC30MACH-1-4	Housing handle	1
1-5	MBC30MACH-1-5	Stop switch	1
1-6	MBC30MACH-1-6	Trottle cable	1
1-7	MBC30MACH-1-7	Hose	1
1-8	MBC30MACH-1-8	Trigger	1
1-9	MBC30MACH-1-9	Spring	1
1-10	MBC30MACH-1-10	Liberate shaft	1
1-11	MBC30MACH-1-11	Spring	1
1-12	MBC30MACH-1-12	Liberate chunk	1
1-13	MBC30MACH-1-13	Screw	2
1-14	MBC30MACH-1-14	Screw	4
1-15	MBC30MACH-1-15	Screw	1
1-16	MBC30MACH-1-16	Screw	1
1-17	MBC30MACH-1-17	Screw	4
1-18	MBC30MACH-1-18	Screw	2
1-19	MBC30MACH-1-19	Clutch cover	1
1-20	MBC30MACH-1-20	Nut	2
1-21	MBC30MACH-1-21	Clutch disc	1
1-22	MBC30MACH-1-22	Clutch	1
1-23	MBC30MACH-1-23	Precaution cover	1
1-24	MBC30MACH-1-24	Cord	4
1-25	MBC30MACH-1-25	Terminal blocks	4
2	MBC30MACH-2	Pipe cutter assy.	1
2-1	MBC30MACH-2-1	Bag rear	1
2-2	MBC30MACH-2-2	Bag front	1
2-3	MBC30MACH-2-3	Rear shaft flex	1
2-4	MBC30MACH-2-4	Front shaft flex	1
2-5	MBC30MACH-2-5	Shaft connector	1
2-6	MBC30MACH-2-6	Oil-bearing sleeve	6
2-7	MBC30MACH-2-7	Connect tube	1
2-8	MBC30MACH-2-8	Knob	1
2-9	MBC30MACH-2-9	Screw	1
2-10	MBC30MACH-2-10	Screw	1
2-11	MBC30MACH-2-11	Screw	1
2-12	MBC30MACH-2-12	Harness ring	1
2-13	MBC30MACH-2-13	Nut	1
3	MBC30MACH-3	Self belt	1
4	MBC30MACH-4	Gear case assy.	1
4-1	MBC30MACH-4-1	Holder	1
4-2	MBC30MACH-4-2	Pinion	1
4-3	MBC30MACH-4-3	Bearing	2
4-4	MBC30MACH-4-4	Snap ring	1
4-5	MBC30MACH-4-5	Snap ring	1
4-6	MBC30MACH-4-6	Bearing	1
4-7	MBC30MACH-4-7	Pinion	1
4-8	MBC30MACH-4-8	Shaft	1
4-9	MBC30MACH-4-9	Bearing	1
4-10	MBC30MACH-4-10	Snap ring	1
4-11	MBC30MACH-4-11	Nut	1

4-12	MBC30MACH-4-12	Screw	1
4-13	MBC30MACH-4-13	Screw	1
4-14	MBC30MACH-4-14	Screw	1
4-15	MBC30MACH-4-15	Screw	1
4-16	MBC30MACH-4-16	Cover	1
4-17	MBC30MACH-4-17	Screw	3
5	MBC30MACH-5	Blade assy.	1
5-1	MBC30MACH-5-1	Holder B	1
5-2	MBC30MACH-5-2	Blade	1
5-3	MBC30MACH-5-3	Holder A	1
5-4	MBC30MACH-5-4	Cover	1
5-5	MBC30MACH-5-5	Nut	1
6	MBC30MACH-6	Cutting head	1
6-1	MBC30MACH-6-1	Nut	1
6-2	MBC30MACH-6-2	Inner spool cap	1
6-3	MBC30MACH-6-3	Washer	2
6-4	MBC30MACH-6-4	Spring	1
6-5	MBC30MACH-6-5	String 2,8m	1
6-6	MBC30MACH-6-6	Inner spool	1
6-7	MBC30MACH-6-7	Spring box	1
7	MBC30MACH-7	Handle assy.	1
7-1	MBC30MACH-7-1	Clamp	1
7-2	MBC30MACH-7-2	Screw	4
7-3	MBC30MACH-7-3	Clamp	1
7-4	MBC30MACH-7-4	Nut	4
7-5	MBC30MACH-7-5	Precaution cover	1

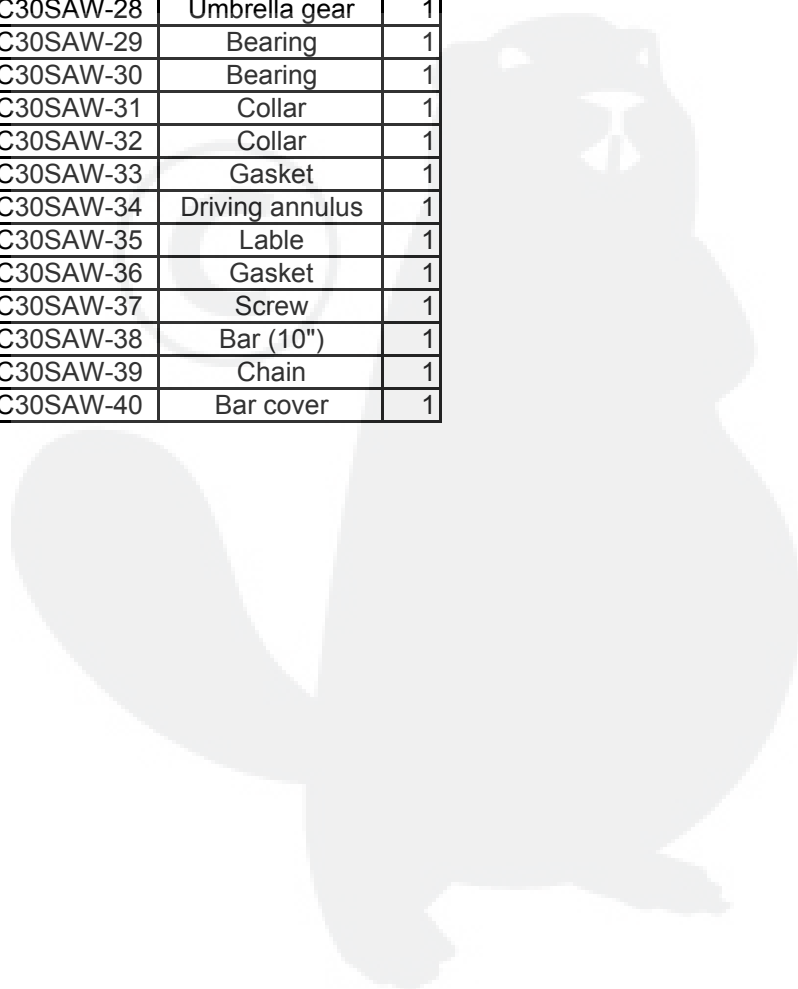


# WLPS305A CUTTING UNIT



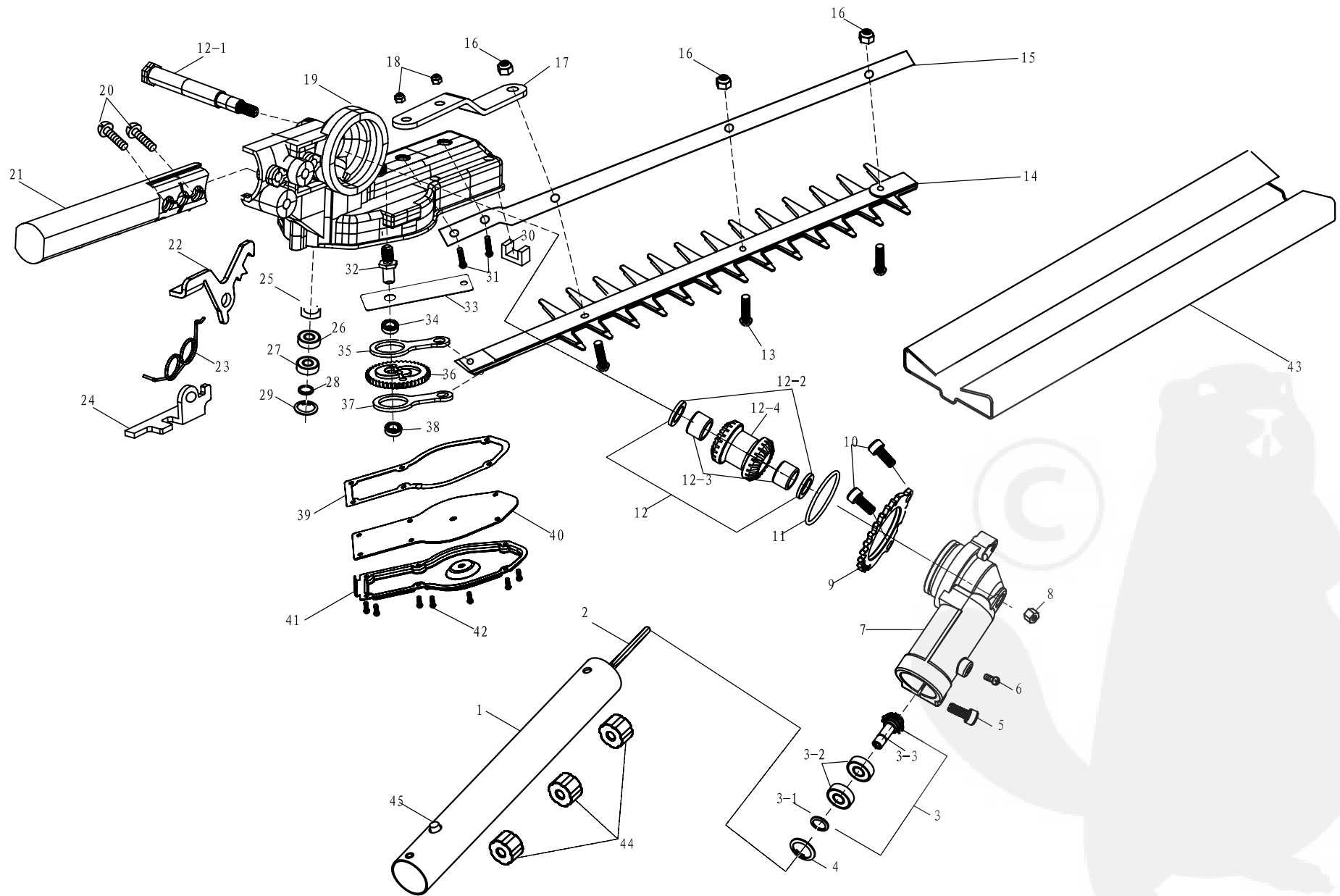
### Pole saw attachment parts list

Parts code	Référence	Description	Qty
1	MBC30SAW-1	Gear casing	1
2	MBC30SAW-2	Gearing	1
3	MBC30SAW-3	Gear case	1
4	MBC30SAW-4	Bearing	2
5	MBC30SAW-5	Screw	5
6	MBC30SAW-6	Oil screw	1
7	MBC30SAW-7	Adjustable screw	1
8	MBC30SAW-8	Nut	1
9	MBC30SAW-9	Screw	1
10	MBC30SAW-10	Gasket	1
11	MBC30SAW-11	Screw	1
12	MBC30SAW-12	Bar cover	1
13	MBC30SAW-13	Nut	1
14	MBC30SAW-14	Gear	1
15	MBC30SAW-15	Oil pump	1
16	MBC30SAW-16	Screw	2
17	MBC30SAW-17	Gasket	1
18	MBC30SAW-18	Oil vitas	1
19	MBC30SAW-19	Oil vita	1
20	MBC30SAW-20	Strainer	1
21	MBC30SAW-21	Oil tank	1
22	MBC30SAW-22	Gasket	2
23	MBC30SAW-23	Valve	1
24	MBC30SAW-24	Screw	2
25	MBC30SAW-25	Tank cover	1
26	MBC30SAW-26	Cover gasket	1
27	MBC30SAW-27	Driving gear	1
28	MBC30SAW-28	Umbrella gear	1
29	MBC30SAW-29	Bearing	1
30	MBC30SAW-30	Bearing	1
31	MBC30SAW-31	Collar	1
32	MBC30SAW-32	Collar	1
33	MBC30SAW-33	Gasket	1
34	MBC30SAW-34	Driving annulus	1
35	MBC30SAW-35	Lable	1
36	MBC30SAW-36	Gasket	1
37	MBC30SAW-37	Screw	1
38	MBC30SAW-38	Bar (10")	1
39	MBC30SAW-39	Chain	1
40	MBC30SAW-40	Bar cover	1





# DGN-WLBC305A-Long Reach Trimmer Part



### Long trimmer attachment parts list

Parts code	Référence	Description	Qty
1	MBC30TRIM-1	Bag front	1
2	MBC30TRIM-2	Shaft assy.	1
3	MBC30TRIM-3	Input axe assy.	1
3-1	MBC30TRIM-3-1	Clap spring	1
3-2	MBC30TRIM-3-2	Alxetree	2
3-3	MBC30TRIM-3-3	Input shaft	1
4	MBC30TRIM-4	Clap shaft	1
5	MBC30TRIM-5	Blot	1
6	MBC30TRIM-6	Blot	1
7	MBC30TRIM-7	Pipe seating	1
8	MBC30TRIM-8	Nut	1
9	MBC30TRIM-9	Round tooth	1
10	MBC30TRIM-10	Blot	2
11	MBC30TRIM-11	Seal round	1
12	MBC30TRIM-12	Middle shaft assy.	1
12-1	MBC30TRIM-12-1	Middle shaft	1
12-2	MBC30TRIM-12-2	Washer	2
12-3	MBC30TRIM-12-3	Needle roller bearing	2
12-4	MBC30TRIM-12-4	Gear	1
13	MBC30TRIM-13	Blot	3
14	MBC30TRIM-14	Blade	1
15	MBC30TRIM-15	Protect bar	1
16	MBC30TRIM-16	Nut	3
17	MBC30TRIM-17	Sustain bar	1
18	MBC30TRIM-18	Nut	2
19	MBC30TRIM-19	Gear case	1
20	MBC30TRIM-20	Blot	2
21	MBC30TRIM-21	Handle	1
22	MBC30TRIM-22	Trigger	1
23	MBC30TRIM-23	Spring	1
24	MBC30TRIM-24	Trigger rocke	1
25	MBC30TRIM-25	Gear	1
26	MBC30TRIM-26	Alxetree	1
27	MBC30TRIM-27	Alxetree	1
28	MBC30TRIM-28	Clap spring	1
29	MBC30TRIM-29	Clap spring	1
30	MBC30TRIM-30	Wool felt	1
31	MBC30TRIM-31	Blot	2
32	MBC30TRIM-32	Gear shaft	1
33	MBC30TRIM-33	Washer	1
34	MBC30TRIM-34	Wearabl washer	1
35	MBC30TRIM-35	Connet plate	1
36	MBC30TRIM-36	Driven gear	1
37	MBC30TRIM-37	Connet plate	1
38	MBC30TRIM-38	Wearabl washer	1
39	MBC30TRIM-39	Washer	1
40	MBC30TRIM-40	Washer (blown)	1
41	MBC30TRIM-41	Cover (down)	1
42	MBC30TRIM-42	Blot	7
43	MBC30TRIM-43	Blade cover	1
44	MBC30TRIM-44	Bush	3
45	MBC30TRIM-45	Bush	1