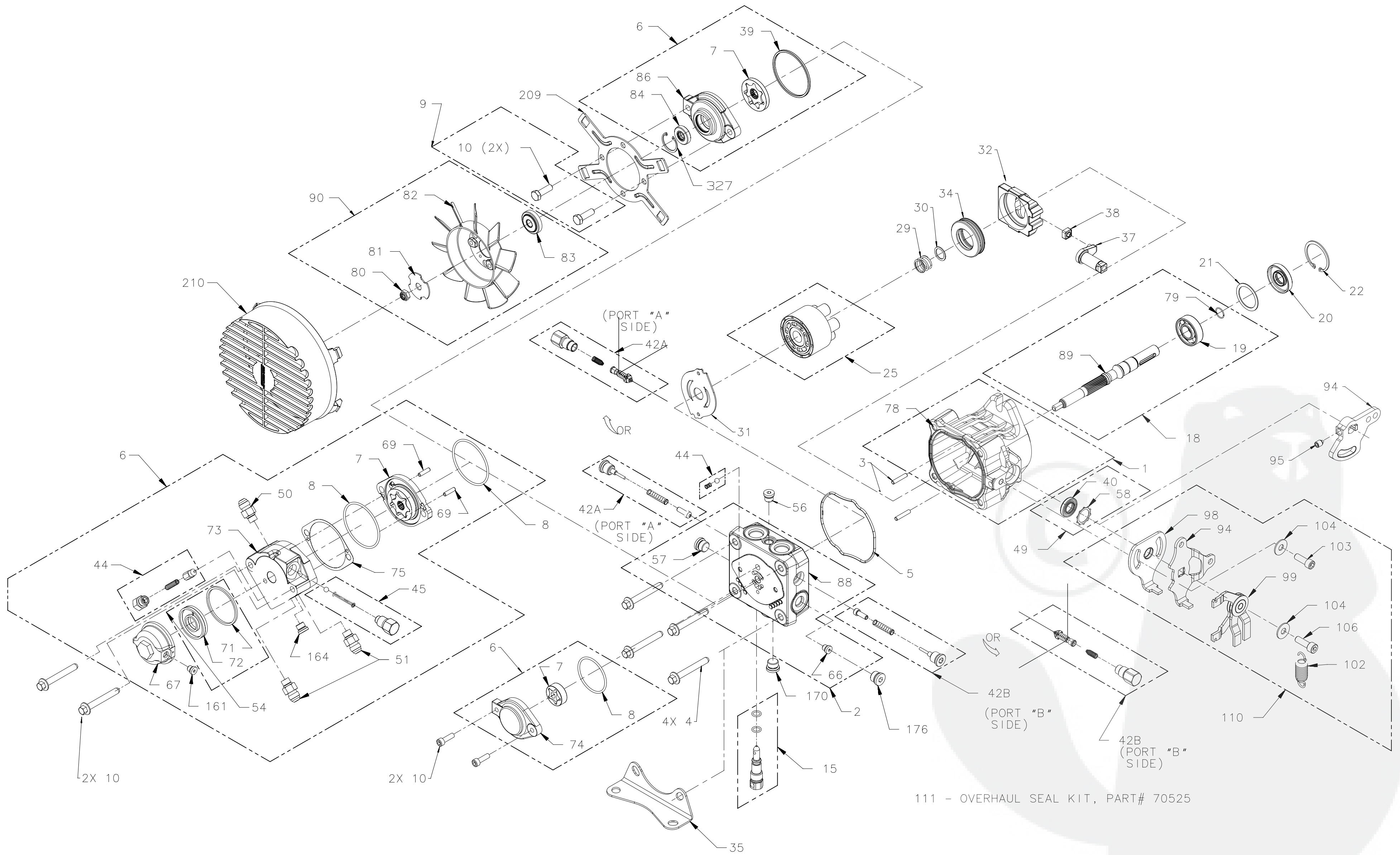


# PG SERIES SERVICE SCHEMATIC (BDP-10A)





# PG SERIES SERVICE SCHEMATIC (BDP-10A)

PG SERIES CROSS REFERENCE MATRIX \*\*

LEGACY ** MODEL NO.	REFERENCE REPLACEMENT MODEL NO. ***	PUMP SHAFT KIT #18	HOUSING KIT #1	RTN KIT#110 OR #94	ENDCAP KIT #2	BYPASS VALVE KIT #15	CHECK VALVE, LH KIT #42B	CHECK VALVE, RH KIT #42A	TRUNNION ARM	CHARGE PUMP KIT #6	CHARGE RELIEF KIT #44	INPUT ROTATION	ADDITIONAL
BDP-10A-361*		70521	70516		71013	2513030	71013	71013	LH	2513027	70402	CCW	*MODEL OBSOLETE
SUPERSEDE WITH	PG-1JQC-DY1X-XXXX	70521	70516		70517	2513030	70743	2510027	LH	2513027	70402	CCW	
BDP-10A-362*		70620	70516		71014	2513030	71014	71014	LH	70622	70403	CCW	*MODEL OBSOLETE
SUPERSEDE WITH	PG-3KQC-NY1X-XXXX	70620	70516		70623	2513030	70743	2510027	LH	70622	70403	CCW	FAN 70629 SEPARATE
BDP-10A-363*		70620	70516		71014	2513030	71014	71014	LH	70622	70403	CCW	*MODEL OBSOLETE
SUPERSEDE WITH	PG-3JQC-NY1X-XXXX	70620	70516		70623	2513030	70743	2510027	LH	70622	70403	CCW	FAN 70629 SEPARATE
BDP-10A-364*		70521	70516		71015	2513030	71015	71015	LH	2513027	70402	CCW	*MODEL OBSOLETE
BDP-10A-366*		70521	70516		70517	2513030	70743	2510062	LH	2513027	70402	CCW	
SUPERSEDE WITH	PG-1JPC-DY1X-XXXX	70521	70516		70517	2513030	70743	2510062	LH	2513027	70402	CCW	
BDP-10A-390*		70521	70516		71013	2513030	71013	71013	LH	2513027	70402	CCW	*MODEL OBSOLETE
SUPERSEDE WITH	PG-1KCC-DY1X-XXXX	70521	70516		70517	2513030	70743	70743	LH	2513027	70402	CCW	
BDP-10A-400	PG-1HQQ-DY1X-XXXX	70521	70516		70517	2513030	2510027	2510027	RH	2513027	70402	CCW	
BDP-10A-401	PG-DHQQ-DY1X-XXXX	70523	70516		70517	2513030	2510027	2510027	RH	2513027	70402	CCW	
BDP-10A-402	PG-1HNP-DY1X-XXXX	70521	70516		70517	2513030	2510062	2510050	RH	2513027	70402	CCW	
BDP-10A-403	PG-1HRQ-DY1X-XXXX	70521	70516		70517	2513030	2510027	2510034	RH	2513027	70402	CCW	
BDP-10A-404	PG-1GQN-DY1X-XXXX	70521	70516		70517	2513030	2510050	2510027	RH	2513027	70402	CCW	
BDP-10A-405	PG-1HNQ-DY1X-XXXX	70521	70516		70517	2513030	2510027	2510050	RH	2513027	70402	CCW	
BDP-10A-406	PG-DGQQ-DY1X-XXXX	70523	70516		70517	2513030	2510027	2510027	RH	2513027	70402	CCW	
BDP-10A-407	PG-1GNQ-DY1X-XXXX	70521	70516		70517	2513030	2510027	2510050	RH	2513027	70402	CCW	
BDP-10A-408	PG-1GQQ-DYZX-XXXX	70521	70516		70517	N/A	2510027	2510027	RH	2513027	70402	CCW	
BDP-10A-410	PG-3HQQ-NY1X-XXXX	70620	70516		70623	2513030	2510027	2510027	RH	70622	70403	CCW	
BDP-10A-411	PG-4HQN-DY1X-XXXX	70727	70516		70517	251303	2510050	2510027	RH	2513027	70402	CCW	
BDP-10A-413	PG-4GQQ-DY1X-XXXX	70727	70516		70517	251303	2510027	2510027	RH	2513027	70402	CCW	
BDP-10A-414	PG-1GNP-DY1X-XXXX	70521	70516		70517	251303	2510062	2510050	RH	2513027	70402	CCW	
BDP-10A-416	PG-3GQC-NY1X-XXXX	70620	70516		70623	2513030	70743	70743	RH	70622	70403	CCW	
BDP-10A-418	PG-1HCC-DY1X-XXXX	70521	70516		70517	2513030	70743	70743	RH	2513027	70402	CCW	
BDP-10A-419	PG-1GCC-DY1X-XXXX	70521	70516		70517	2513030	70743	70743	RH	2513027	70402	CCW	
BDP-10A-421	PG-1HQN-DY1X-XXXX	70521	70516		70517	2513030	2510050	2510027	RH	2513027	70402	CCW	
BDP-10A-423	PG-3HCC-NY1X-XXXX	70620	70516		70623	2513030	70743	70743	RH	70622	70403	CCW	
BDP-10A-424	PG-3HQQ-NA1X-XXXX	70620	SEE P. 8&9	SEE P. 8&9	70623	2513030	2510027	2510027	RH	70622	70403	CCW	
BDP-10A-426	PG-3GCC-NY1X-XXXX	70620	70516		70623	2513030	70743	70743	RH	70622	70403	CCW	
BDP-10A-427	PG-1GAB-DY1X-XXXX	70521	70516		70517	2513030	70742	70741	RH	2513027	70402	CCW	
BDP-10A-429	PG-1HBC-DY1X-XXXX	70521	70516		70517	2513030	70743	70742	RH	2513027	70402	CCW	
BDP-10A-430*		70521	70516		71012	2513030	71012	71012	RH	2513027	70402	CCW	*MODEL OBSOLETE
SUPERSEDE WITH	PG-1HAN-DY1X-XXXX	70521	70516		70517	2513030	2510050	70741	RH	2513027	70402	CCW	
BDP-10A-431*		70521	70516		71013	2513030	71013	71013	RH	2513027	70402	CCW	*MODEL OBSOLETE
SUPERSEDE WITH	PG-1HCQ-DY1X-XXXX	70521	70516		70517	2513030	2510027	70743	RH	2513027	70402	CCW	
BDP-10A-432*		70620	70516		71016	2513030	71016	71016	RH	70622	70403	CCW	*MODEL OBSOLETE
SUPERSEDE WITH	PG-3GAQ-NZ1X-XXXX	70620	70516	SEE P. 8&9	70623	2513030	2510062	70741	RH	70622	70403	CCW	FAN 70632 SEPARATE
BDP-10A-433*		70521	70516		71017	2513030	71017	71017	RH	2513027	70402	CCW	*MODEL OBSOLETE
SUPERSEDE WITH	PG-1GAP-DY1X-XXXX	70521	70516		70517	2513030	2510062	70741	RH	2513027	70402	CCW	

\*\* SELECT SERVICE KITS FROM THIS SCHEDULE FOR MODELS BEGINNING WITH "BDP-10A-...." ONLY.

\*\*\* MODELS BEGINNING WITH "PG-....", SELECT SERVICE KITS FROM SHEETS 3 THROUGH 10.



# PG SERIES SERVICE SCHEMATIC (BDP-10A)

PG SERIES CROSS REFERENCE MATRIX \*\*

LEGACY ** MODEL NO.	REFERENCE REPLACEMENTS MODEL NO. ***	PUMP SHAFT KIT #18	HOUSING KIT #1	RTN KIT#110 OR #94	ENDCAP KIT #2	BYPASS VALVE KIT #15	CHECK VALVE, LH KIT #42B	CHECK VALVE, RH KIT #42A	TRUNNION ARM	CHARGE PUMP KIT #6	CHARGE RELIEF KIT #44	INPUT ROTATION	ADDITIONAL
BDP-10A-435	PG-1HCC-DA1X-XXXX	70521	SEE P. 8&9	SEE P. 8&9	70517	2513030	70743	70743	RH	2513027	70402	CCW	
BDP-10A-437	PG-1GQQ-DY1X-XXXX	70521	70516		70517	2513030	2510027	2510027	RH	2513027	70402	CCW	
BDP-10A-438	PG-1HQQ-DB1X-XXXX	70521	SEE P. 8&9	SEE P. 8&9	70517	2513030	2510027	2510027	RH	2513027	70402	CCW	
BDP-10A-439	PG-1GAC-DY1X-XXXX	70521	70516		70517	2513030	70743	70741	RH	2513027	70402	CCW	
BDP-10A-440	PG-1HCA-DY1X-XXXX	70521	70516		70517	2513030	70741	70743	RH	2513027	70402	CCW	
BDP-10A-441	PG-3HCC-NE1X-XXXX	70620	SEE P. 8&9	SEE P. 8&9	70623	2513030	70743	70743	RH	70622	70403	CCW	
BDP-10A-442	PG-3GCC-NZ12-XXXX	70620	70516		70623	2513030	70743	70743	RH	70622	70403	CCW	FAN 70811
BDP-10A-443	PG-1GQQ-DB1X-XXXX	70521	SEE P. 8&9	SEE P. 8&9	70517	2513030	2510027	2510027	RH	70622	70402	CCW	
BDP-10A-445	PG-1GCA-DY1X-XXXX	70521	70516		70517	2513030	70741	70743	RH	2513027	70402	CCW	
BDP-10A-446	PG-1HKK-DA1X-XXXX	70521	SEE P. 8&9	SEE P. 8&9	70517	2513030	70841	70841	RH	2513027	70402	CCW	
BDP-10A-447	PG-1HRA-DY1X-XXXX	70521	70516		70517	2513030	70741	2510034	RH	2513027	70402	CCW	
BDP-10A-448	PG-1HQR-DY1X-XXXX	70521	70516		70517	2513030	2510034	2510027	RH	2513027	70402	CCW	
BDP-10A-449	PG-1HBB-DA1X-XXXX	70521	SEE P. 8&9	SEE P. 8&9	70517	2513030	70742	70742	RH	2513027	70402	CCW	
BDP-10A-450	PG-1GEF-DY1X-XXXX	70521	70516		70517	2513030	70837	70836	RH	2513027	70402	CCW	
BDP-10A-451	PG-3HCC-NA12-XXXX	70621	SEE P. 8&9	SEE P. 8&9	70623	2513030	70743	70743	RH	70622	70403	CCW	FAN 70811
BDP-10A-452	PG-1HRA-DA1X-XXXX	70521	SEE P. 8&9	SEE P. 8&9	70517	2513030	70741	2510034	RH	2513027	70402	CCW	
BDP-10A-453	PG-1HEE-DY2X-XXXX	70521	70516		70517	2513031	70836	70836	RH	2513027	70402	CCW	
BDP-10A-454	PG-3HCC-NA1X-XXXX	70621	SEE P. 8&9	SEE P. 8&9	70623	2513030	70743	70743	RH	70622	70403	CCW	
BDP-10A-456	PG-1HQQ-DA1X-XXXX	70521	SEE P. 8&9	SEE P. 8&9	70517	2513030	2510027	2510027	RH	70622	70402	CCW	
BDP-10A-457	PG-3HDD-NV1X-XXXX	70620	SEE P. 8&9	SEE P. 8&9	70623	2513030	70744	70744	RH	70622	70403	CCW	
BDP-10A-458	PG-1HCC-DE1X-XXXX	70521	SEE P. 8&9	SEE P. 8&9	70517	2513030	70743	70743	RH	2513027	70402	CCW	
BDP-10A-460*		70521	70516		71013	2513030	71013	71013	RH	2513027	70402	CCW	*MODEL OBSOLETE
SUPERSEDE WITH	PG-1HQC-DY1X-XXXX	70521	70516		70517	2513030	70743	2510027	RH	2513027	70402	CCW	
BDP-10A-461*		70521	70516		71013	2513030	71013	71013	RH	2513027	70402	CCW	*MODEL OBSOLETE
SUPERSEDE WITH	PG-1GQC-DY1X-XXXX	70521	70516		70517	2513030	70743	2510027	RH	2513027	70402	CCW	
BDP-10A-462*		70620	70516		71014	2513030	71014	71014	RH	70622	70403	CCW	*MODEL OBSOLETE
SUPERSEDE WITH	PG-3HQC-NY1X-XXXX	70620	70516		70623	2513030	70743	2510027	RH	70622	70403	CCW	FAN 70629 SEPARATE
BDP-10A-463*		70620	70516		71014	2513030	71014	71014	RH	70622	70403	CCW	*MODEL OBSOLETE
SUPERSEDE WITH	PG-3GQC-NY1X-XXXX	70620	70516		70623	2513030	70743	2510027	RH	70622	70403	CCW	FAN 70629 SEPARATE
BDP-10A-464*		70521	70516		71015	2513030	71015	71015	RH	2513027	70402	CCW	*MODEL OBSOLETE
SUPERSEDE WITH	PG-1HPC-DY1X-XXXX	70521	70516		70517	2513030	70743	2510062	RH	2513027	70402	CCW	
BDP-10A-466*		70521	70516		71015	2513030	71015	71015	RH	2513027	70402	CCW	*MODEL OBSOLETE
SUPERSEDE WITH	PG-1HPC-DY1X-XXXX	70521	70516		70517	2513030	70743	2510062	RH	2513027	70402	CCW	
BDP-10A-490*		70521	70516		71013	2513030	71013	71013	RH	2513027	70402	CCW	*MODEL OBSOLETE
SUPERSEDE WITH	PG-1HCC-DY1X-XXXX	70521	70516		70517	2513030	70743	70743	RH	2513027	70402	CCW	
BDP-10A-600	PG-2CNN-HY1X-XXXX	70522	70516		70519	2513030	2510050	2510050	LH	70577	2510081	CW	
BDP-10A-701	PG-2BNN-HY1X-XXXX	70522	70516		70519	2513030	2510050	2510050	RH	70577	2510081	CW	
BDP-10A-703	PG-2ACC-HA1X-XXXX	70522	SEE P. 8&9	SEE P. 8&9	70519	2513030	70743	70743	RH	70577	2510081	CW	
BDP-10A-801	PG-2KCC-TC1X-XXXX	70522	SEE P. 8&9	SEE P. 8&9	70519	2513030	70743	70743	LH	TBD.	2510081	CCW	
BDP-10A-901	PG-2HCC-HY1X-XXXX	70522	70516		70519	2513030	70743	70743	RH	70577	2510081	CCW	
BDP-10A-902	PG-2HCC-UY1X-XXXX	70522	70516		70519	2513030	70743	70743	RH	70582	2510081	CCW	
BDP-10A-903	PG-2GCC-HA1X-XXXX	70522	SEE P. 8&9	SEE P. 8&9	70519	2513030	70743	70743	RH	70577	2510081	CCW	
BDP-10A-990*		70522	70516		71018	2513030	71018	71018	RH	70577	2510081	CCW	*MODEL OBSOLETE
SUPERSEDE WITH	PG-2HCC-HY1X-XXXX	70522	70516		70519	2513030	70743	70743	RH	70577	2510081	CCW	

\*\* SELECT SERVICE KITS FROM THIS SCHEDULE FOR MODELS BEGINNING WITH "BDP-10A-...." ONLY.  
\*\*\* MODELS BEGINNING WITH "PG-....", SELECT SERVICE KITS FROM SHEETS 5 THROUGH 10.



# PG SERIES SERVICE SCHEMATIC (BDP-10A)

MODEL NUMBER:  
CHARACTER #:

P	G	-	*		*	*	-					-		*			
1	2	-	3	4	5	6	-	7	8	9	10	-	11	12	13	14	

### COMMON PARTS

CHARACTER 2	ITEM #	COMPONENT #	DESCRIPTION	QTY	CONTAINS ITEMS:
G	3	50641	STRAIGHT HEADLESS PIN	2	3
	4	50969	HEX FLANGE BOLT M8-1.25 x 60mm LONG	4	4
	5	54022	HOUSING O-RING	1	5
	20	51161	LIP SEAL 17 x 40 x 7 PTC	1	20
	21	50951	SPACER	1	21
	22	50329	RETAINING RING	1	22
	25	70331	CYLINDER BLOCK KIT	1	25
	29	2003014	BLOCK SPRING	1	29
	30	2003017	BLOCK THRUST WASHER	1	30
	31	51444	VALVE PLATE	1	31
	32	2003087	SWASHPLATE	1	32
	34	50551	BALL THRUST BEARING	1	34
	38	2000015	SLOT GUIDE	1	38
	49	2513043	TRUNNION SEAL / RETAINER KIT	1	40, 58
	56	9005110-4400	PLUG, 7/16-20 STEEL (DIAGNOSTIC)	1	56
	57	9005110-5600	PLUG, 9/16-18 STEEL (CASE DRAIN)	1	57
111	70525	OVERHAUL SEAL KIT	1	5, 8, 20, 22, 39, 40, 58, 71, 84	

### INPUT SHAFT KITS

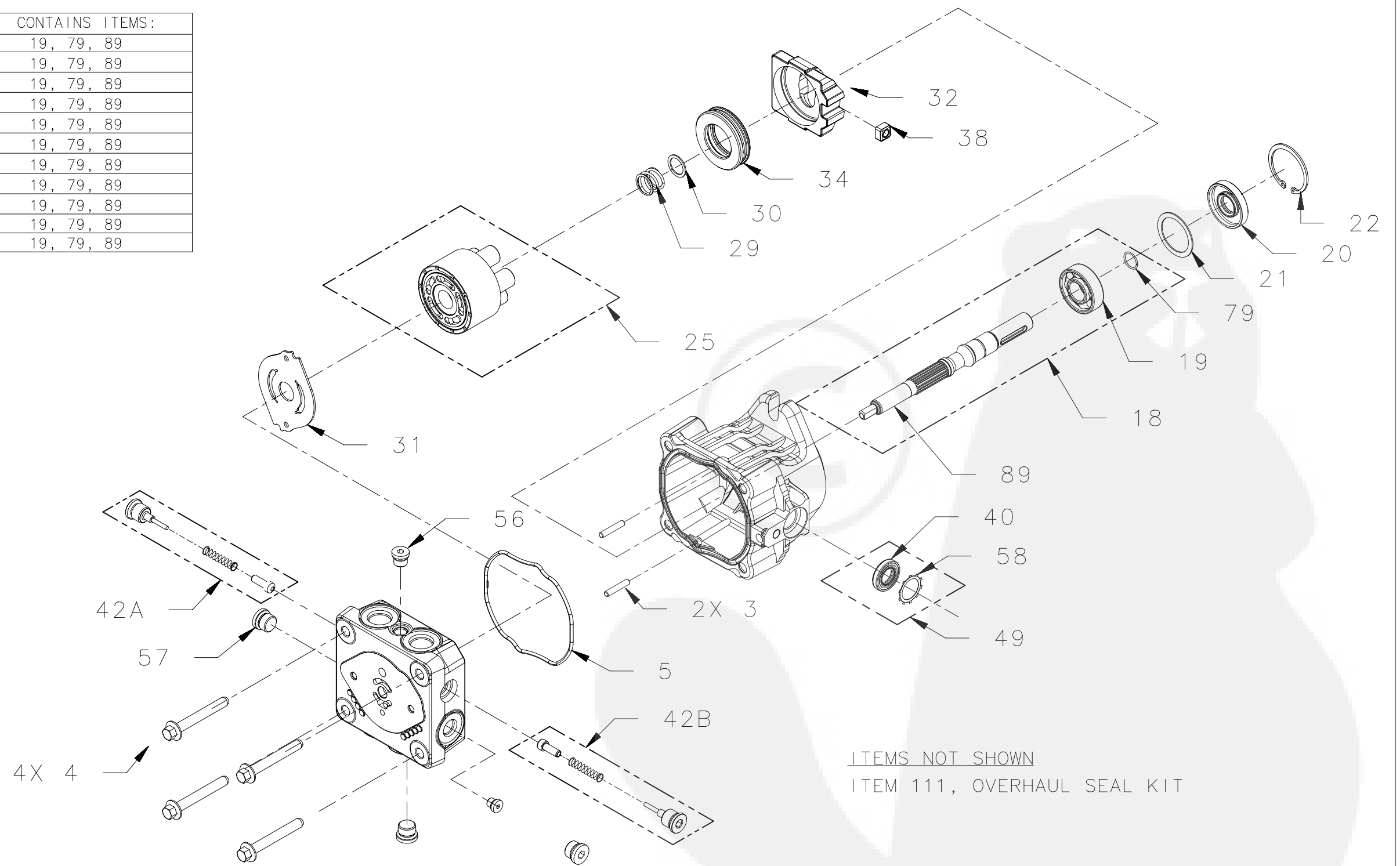
CHARACTER 3	ITEM #	COMPONENT #	DESCRIPTION	QTY	CONTAINS ITEMS:
A	18	71262	KIT, PUMP SHAFT (5/8 STRAIGHT KEYED)	1	19, 79, 89
B	18	71249	KIT, PUMP SHAFT (5/8 KEYED, STD CHG)	1	19, 79, 89
C	18	71250	KIT, PUMP SHAFT (5/8 KEYED, THRU)	1	19, 79, 89
D	18	70523	KIT, PUMP SHAFT (9T 16/32)	1	19, 79, 89
E	18	70524	KIT, PUMP SHAFT (9T 16/32)	1	19, 79, 89
F	18	70726	KIT, PUMP SHAFT (9T 16/32 THRU)	1	19, 79, 89
1	18	70521	KIT, PUMP SHAFT (15mm STRAIGHT KEYED)	1	19, 79, 89
2	18	70522	KIT, PUMP SHAFT (15mm STRAIGHT KEYED)	1	19, 79, 89
3	18	70620	KIT, PUMP SHAFT (15mm STRAIGHT KEYED, THRU)	1	19, 79, 89
4	18	70727	KIT, PUMP SHAFT (15mm TAPERED KEY)	1	19, 79, 89
5	18	71252	KIT, PUMP SHAFT (15mm TAPERED KEY, THRU)	1	19, 79, 89

### SHOCK VALVE KITS, "A" SIDE

CHARACTER 5	ITEM #	COMPONENT #	DESCRIPTION	QTY
A	42A	70741	KIT, SHOCK VALVE (200 BAR, BLANK ORIFICE)	1
B		70742	KIT, SHOCK VALVE (200 BAR, .024 ORIFICE)	1
C		70743	KIT, SHOCK VALVE (200 BAR, .031 ORIFICE)	1
D		70744	KIT, SHOCK VALVE (200 BAR, .044 ORIFICE)	1
E		70836	KIT, SHOCK VALVE (160 BAR, BLANK ORIFICE)	1
F		70837	KIT, SHOCK VALVE (160 BAR, .024 ORIFICE)	1
G		70838	KIT, SHOCK VALVE (160 BAR, .031 ORIFICE)	1
H		70839	KIT, SHOCK VALVE (160 BAR, .044 ORIFICE)	1
J		70840	KIT, SHOCK VALVE (120 BAR, BLANK ORIFICE)	1
K		70841	KIT, SHOCK VALVE (120 BAR, .024 ORIFICE)	1
L		70842	KIT, SHOCK VALVE (120 BAR, .031 ORIFICE)	1
M		70843	KIT, SHOCK VALVE (120 BAR, .044 ORIFICE)	1
N		2510050	KIT, CHECK VALVE (BLANK ORIFICE)	1
P		2510062	KIT, CHECK VALVE (.024 ORIFICE)	1
Q		2510027	KIT, CHECK VALVE (.031 ORIFICE)	1
R		2510034	KIT, CHECK VALVE (.044 ORIFICE)	1
T	71254	KIT, CHECK VALVE (.016 ORIFICE)	1	

### SHOCK VALVE KITS, "B" SIDE

CHARACTER 6	ITEM #	COMPONENT #	DESCRIPTION	QTY
A	42B	70741	KIT, SHOCK VALVE (200 BAR, BLANK ORIFICE)	1
B		70742	KIT, SHOCK VALVE (200 BAR, .024 ORIFICE)	1
C		70743	KIT, SHOCK VALVE (200 BAR, .031 ORIFICE)	1
D		70744	KIT, SHOCK VALVE (200 BAR, .044 ORIFICE)	1
E		70836	KIT, SHOCK VALVE (160 BAR, BLANK ORIFICE)	1
F		70837	KIT, SHOCK VALVE (160 BAR, .024 ORIFICE)	1
G		70838	KIT, SHOCK VALVE (160 BAR, .031 ORIFICE)	1
H		70839	KIT, SHOCK VALVE (160 BAR, .044 ORIFICE)	1
J		70840	KIT, SHOCK VALVE (120 BAR, BLANK ORIFICE)	1
K		70841	KIT, SHOCK VALVE (120 BAR, .024 ORIFICE)	1
L		70842	KIT, SHOCK VALVE (120 BAR, .031 ORIFICE)	1
M		70843	KIT, SHOCK VALVE (120 BAR, .044 ORIFICE)	1
N		2510050	KIT, CHECK VALVE (BLANK ORIFICE)	1
P		2510062	KIT, CHECK VALVE (.024 ORIFICE)	1
Q		2510027	KIT, CHECK VALVE (.031 ORIFICE)	1
R		2510034	KIT, CHECK VALVE (.044 ORIFICE)	1
T	71254	KIT, CHECK VALVE (.016 ORIFICE)	1	



# PG SERIES SERVICE SCHEMATIC (BDP-10A)

MODEL NUMBER: 

P	G
1	2

 - 

3	4	5	6

 - 

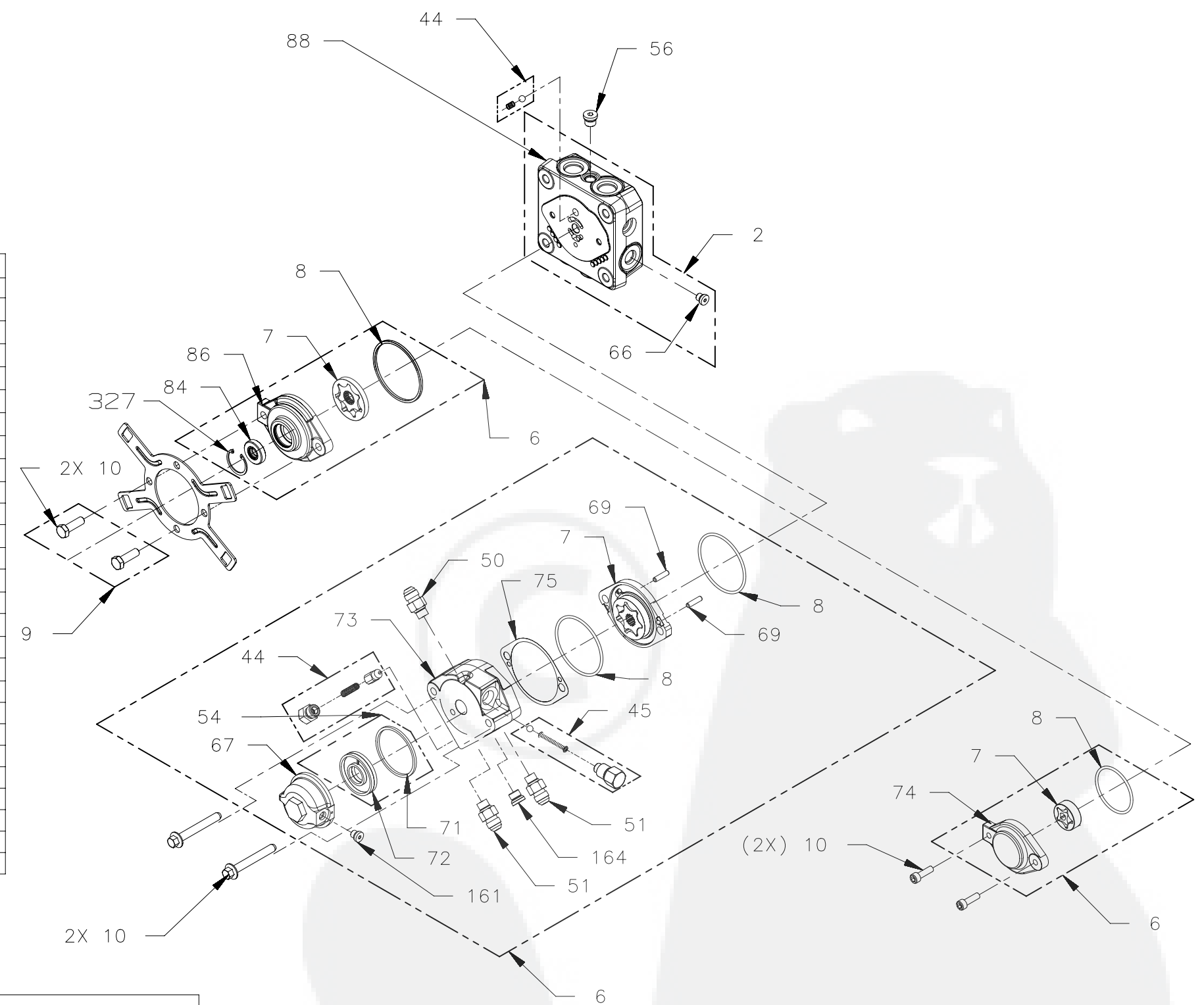
*			
7	8	9	10

 - 

	*		
11	12	13	14

### ENDCAP AND GEROTOR KITS

CHAR 7	CHAR 12	ITEM #	COMPONENT #	DESCRIPTION	QTY	CONTAINS ITEMS:
D	B	2	72255	KIT, ENDCAP LOW PROFILE	1	66,68
	X	2	70517	KIT, ENDCAP FOR POPPETS (STD CHG)	1	66,68
	B,X	6	2513027	KIT, CHG PUMP	1	7,8,74
		10	50975	CAPSCREW 6M x 1.0 x 25mm	2	10
F	X	44	70402	KIT, CHARGE RELIEF VALVE	1	44
		2	70623	KIT, ENDCAP W/POPPETS, THRU (STD CHG)	1	66,68
		6	70622	KIT, CHG PUMP (STD CHG)	1	7,8,84,86,327
		9	72254	KIT, CHARGE PUMP BOLT	1	9
H,5	X	44	70402	KIT, CHARGE RELIEF VALVE	1	44
		2	70519	KIT, ENDCAP FOR POPPETS (AUX CHG)	1	66,68
		6	70577	KIT, AUX PUMP(AL 15T SPLINED, 2-7/16 SAE PORTS)	1	7,8,44,45,45,64,66,76,69,71,72,73,75
		10	50969	HFHCS M8 x 1.125 x 60mm	2	10
N	X	44	2510081	KIT, CHARGE RELIEF	1	44
		45	2510082	KIT, AUX RELIEF VALVE	1	45
		2	70623	KIT, ENDCAP W/POPPETS, THRU (STD CHG)	1	66,68
		6	70622	KIT, CHG PUMP (STD CHG)	1	7,8,84,86,327
T,U	X	9	72254	KIT, CHARGE PUMP BOLT	1	9
		44	70403	KIT, CHARGE RELIEF VALVE	1	44
		2	70519	KIT, ENDCAP FOR POPPETS (AUX CHG)	1	66,68
		6	70582	KIT, AUX PUMP (AL SPLINED, 9/16 TUBE FITTINGS)	1	7,8,44,45,45,64,66,76,69,71,72,73,75
Y	X	10	50969	HFHCS M8 x 1.25 x 60mm	2	10
		44	2510081	KIT, CHARGE RELIEF	1	44
		45	2510082	KIT, AUX RELIEF VALVE	1	45
		2	70623	KIT, ENDCAP W/POPPETS, THRU (STD CHG)	1	66,68
Y	X	6	70622	KIT, CHG PUMP (STD CHG)	1	7,8,84,86,327
		9	72254	KIT, CHARGE PUMP BOLT	1	9
		44	71361	KIT, CHARGE RELIEF VALVE	1	44



### CHARGE RELIEF AND AUXILIARY PUMP KITS

CHARACTER 7	ITEM #	COMPONENT #	DESCRIPTION	QTY	CONTAINS ITEMS:
N	44	70403	KIT, CHARGE RELIEF VALVE	1	44
D, F OR W	44	70402	KIT, CHARGE RELIEF VALVE	1	44
H	6	70577	KIT, AUXILIARY PUMP(AL 15T SPLINED, 2-7/16 SAE PORTS)	1	7,8,44,45,56,64,66,67,69,71,72,73,75
	44	2510081	KIT, CHARGE RELIEF	1	44
T	6	70582	KIT, AUXILIARY PUMP (AL SPLINED, 9/16 TUBE FITTINGS)	1	7,8,44,45,56,64,66,67,69,71,72,73,75
	44	2510081	KIT, CHARGE RELIEF	1	44
U	6	70582	KIT, AUXILIARY PUMP (AL SPLINED, 9/16 TUBE FITTINGS)	1	7,8,44,45,56,64,66,67,69,71,72,73,75
	44	2510081	KIT, CHARGE RELIEF	1	44
5	6	70577	KIT, AUXILIARY PUMP(AL 15T SPLINED, 2-7/16 SAE PORTS)	1	7,8,44,45,56,64,66,67,69,71,72,73,75
	44	2510081	KIT, CHARGE RELIEF	1	44



# PG SERIES SERVICE SCHEMATIC (BDP-10A)

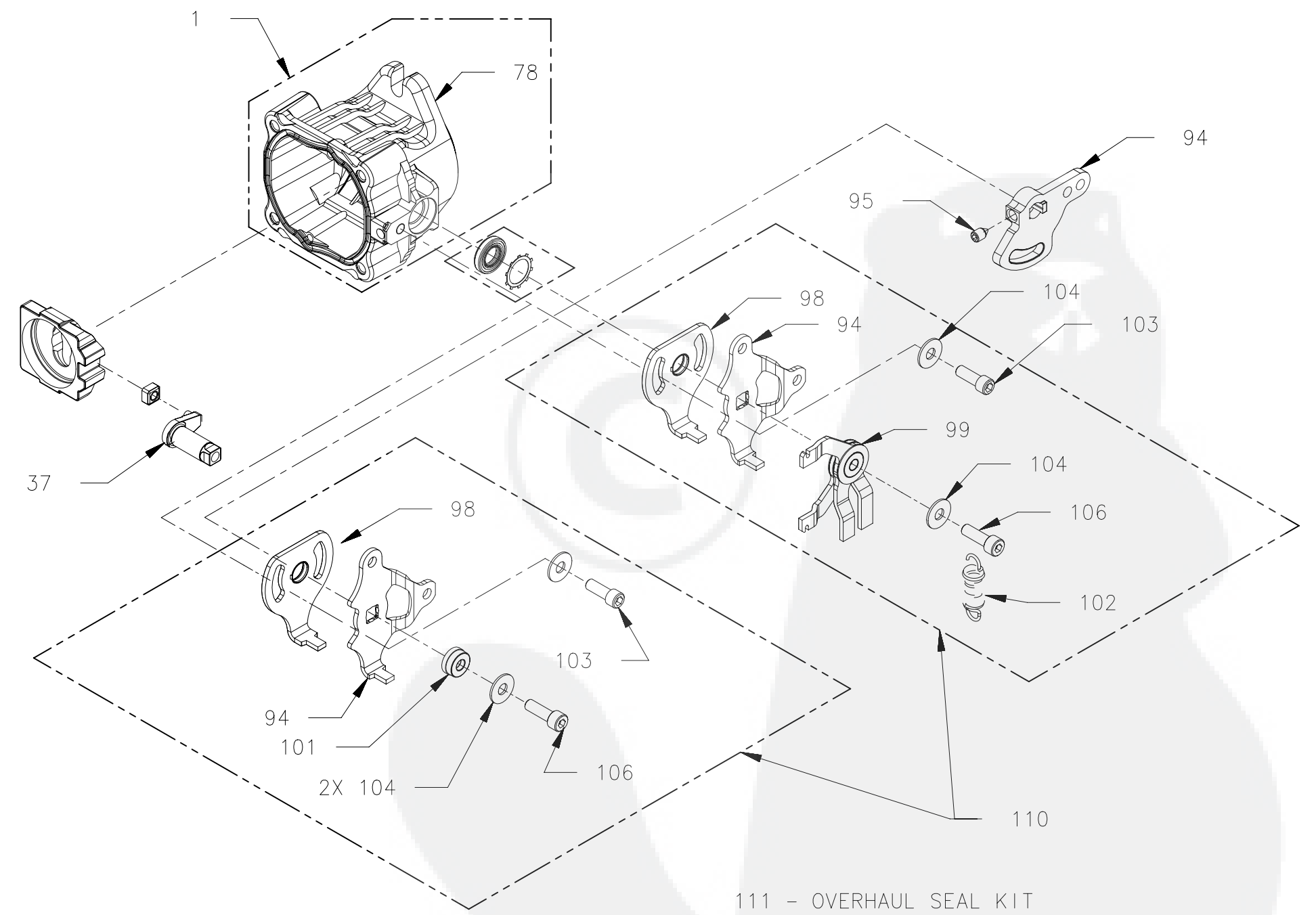
MODEL NUMBER:  
CHARACTER #:

P	G	-					-	*				-				
1	2	-	3	4	5	6	-	7	8	9	10	-	11	12	13	14

### TRUNNION ARM, HOUSING AND RETURN KITS

CHAR 8	CHAR 12	ITEM #	COMPONENT #	DESCRIPTION	QTY	CONTAINS ITEMS:
A, B	X	1	71717	KIT, HOUSING	1	78
		37	52866	ARM, TRUNNION, TAPERED SQUARE	1	37
		102	52401	SPRING, LIGHT	1	102
		110	71716	KIT, RTN, STD SCISSOR, LIGHT SPRING	1	94,98,99,102,103,104,106
C, D	X	1	71717	KIT, HOUSING	1	78
		37	52866	ARM, TRUNNION, TAPERED SQUARE	1	37
		102	52401	SPRING, LIGHT	1	102
		110	71718	KIT, RTN, CW SCISSOR, LIGHT SPRING	1	94,98,99,102,103,104,106
E, F	X	1	71717	KIT, HOUSING	1	78
		37	52866	ARM, TRUNNION, TAPERED SQUARE	1	37
		102	52401	SPRING, LIGHT	1	102
		110	71719	KIT, RTN, CCW SCISSOR, LIGHT SPRING	1	94,98,99,102,103,104,106
G, H	X	1	71717	KIT, HOUSING	1	78
		37	52866	ARM, TRUNNION, TAPERED SQUARE	1	37
		102	51605	SPRING, HVY	1	102
		110	71738	KIT, RTN, STD SCISSOR, HVY SPRING	1	94,98,99,102,103,104,106
J, K	X	1	71717	KIT, HOUSING	1	78
		37	52866	ARM, TRUNNION, TAPERED SQUARE	1	37
		102	51605	SPRING, HVY	1	102
		110	71739	KIT, RTN, CW SCISSOR, HVY SPRING	1	94,98,99,102,103,104,106
L, M	X	1	71717	KIT, HOUSING	1	78
		37	52866	ARM, TRUNNION, TAPERED SQUARE	1	37
		102	51605	SPRING, HVY	1	102
		110	71740	KIT, RTN, CCW SCISSOR, HVY SPRING	1	94,98,99,102,103,104,106
N, P	X	1	71717	KIT, HOUSING	1	78
		37	52866	ARM, TRUNNION, TAPERED SQUARE	1	37
		102	51833	SPRING, MED	1	102
		110	71741	KIT, RTN, STD SCISSOR, MED SPRING	1	94,98,99,102,103,104,106
Q, R	X	1	71717	KIT, HOUSING	1	78
		37	52866	ARM, TRUNNION, TAPERED SQUARE	1	37
		102	51833	SPRING, MED	1	102
		110	71742	KIT, RTN, CW SCISSOR, MED SPRING	1	94,98,99,102,103,104,106
T, U	X	1	71717	KIT, HOUSING	1	78
		37	52866	ARM, TRUNNION, TAPERED SQUARE	1	37
		102	51833	SPRING, MED	1	102
		110	71743	KIT, RTN, CCW SCISSOR, MED SPRING	1	94,98,99,102,103,104,106
V, W	X	1	71717	KIT, HOUSING	1	78
		37	52866	ARM, TRUNNION, TAPERED SQUARE	1	37
		110	71744	KIT, RTN, BASIC#1 CONTROL ARM	1	94,101,103,104,106
Y	X	1	70516	KIT, HOUSING	1	78
		37	2003005	ARM, TRUNNION, DOUBLE D	1	37
Z	X	1	70516	KIT, HOUSING	1	78
		37	2003005	ARM, TRUNNION, DOUBLE D	1	37
		94	45007	ARM, CONTROL	1	94
		95	50018	SCREW, SOCKET HEAD SET, 5/16-24 X .50	1	95
1	X	1	71717	KIT, HOUSING	1	78
	B	1	72256	KIT, HOUSING LOW PROFILE	1	78
	X, B	37	52866	ARM, TRUNNION, TAPERED SQUARE	1	37
2, 3	X	1	71717	KIT, HOUSING	1	78
		37	52866	ARM, TRUNNION, TAPERED SQUARE	1	37
		110	71745	KIT, RTN, BASIC#2 CONTROL ARM & STAT ARM	1	94,98,101,103,104,106
4, 7	X	1	71717	KIT, HOUSING	1	78
		37	52866	ARM, TRUNNION, TAPERED SQUARE	1	37
		102	51833	SPRING, MED	1	102
		110	71747	KIT, RTN, CCW SLOTTED SCISSOR, MED SPRG	1	94,98,99,102,103,104,106
5, 6	X	1	71717	KIT, HOUSING	1	78
		37	52866	ARM, TRUNNION, TAPERED SQUARE	1	37
		102	51833	SPRING, MED	1	102
		110	71746	KIT, RTN, CW SLOTTED SCISSOR, MED SPRG	1	94,98,99,102,103,104,106

FOR MODELS BUILT ON OR AFTER JAN. 01, 2008 [SN 8001PXXXXX]\*\*  
[FOR UNITS BUILT BEFORE JAN. 01, 2008 SEE NEXT PAGE]



\*\* NOTE: HOW TO READ BAR CODE LABEL SERIAL NUMBER DATE CODE  
EX. 8XXXPXXXXX CHARACTER 1 = YEAR(2008), CHARACTERS 2, 3, & 4 ARE  
1234  
JULIAN DATE CODE 001 THRU 365 (001 = JAN 1; 032 = FEB 1; 365 = DEC 31)

# PG SERIES SERVICE SCHEMATIC (BDP-10A)

MODEL NUMBER: 

P	G
1	2

 - 

3	4	5	6

 - 

	*		
7	8	9	10

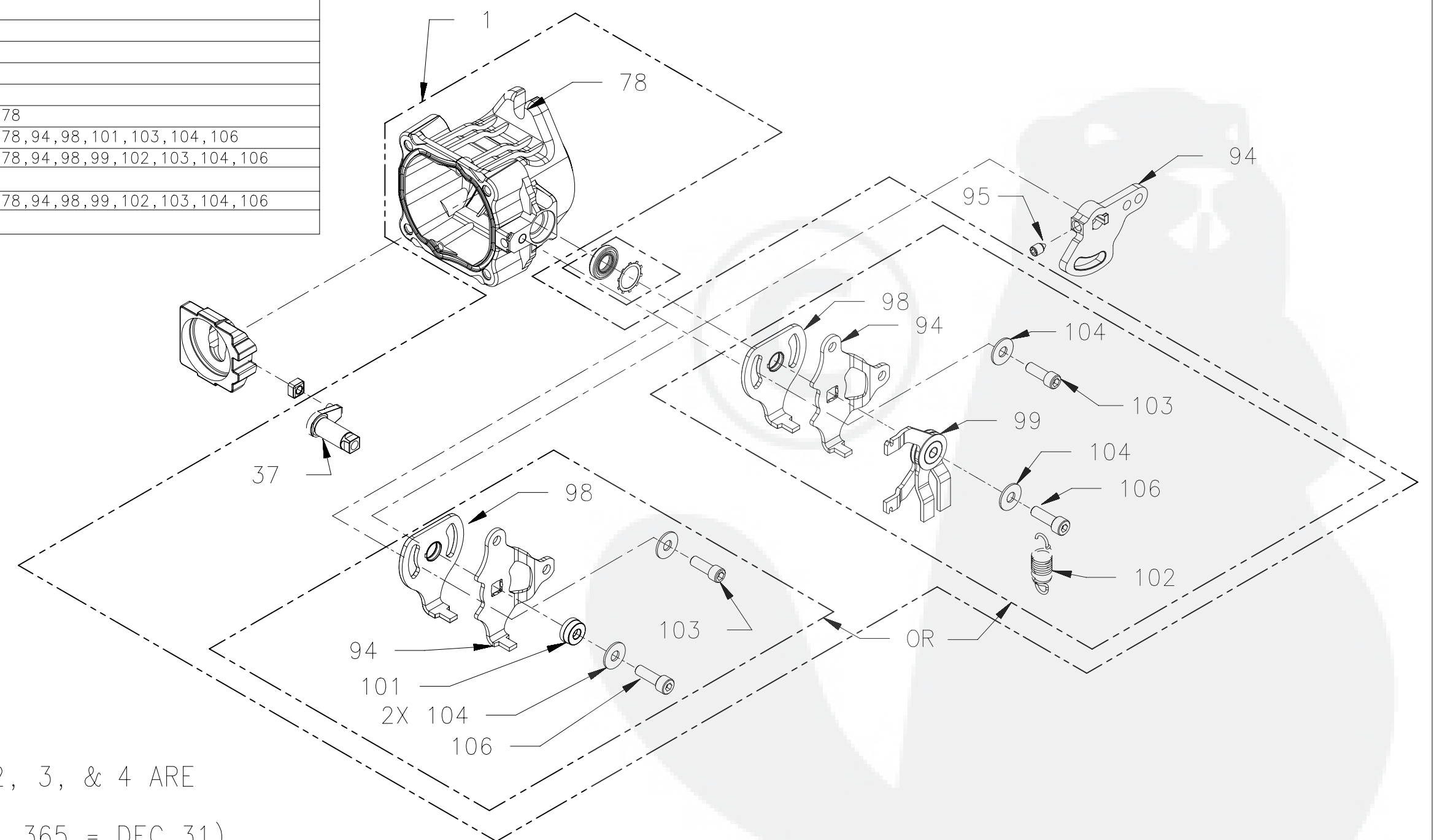
 - 

11	12	13	14

### TRUNNION ARM, HOUSING AND RETURN KITS

CHARACTER 8	ITEM #	COMPONENT #	DESCRIPTION	QTY	CONTAINS ITEMS:
A, B	1	71754	KIT, HSG, TRUNNION, STD SCISSOR, LIGHT SPRING	1	37,78,94,98,99,102,103,104,106
	102	52401	SPRING, LIGHT	1	102
C, D	1	71755	KIT, HSG, TRUNNION, CW SCISSOR, LIGHT SPRING	1	37,78,94,98,99,102,103,104,106
	102	52401	SPRING, LIGHT	1	102
E, F	1	71756	KIT, HSG, TRUNNION, CCW SCISSOR, LIGHT SPRING	1	37,78,94,98,99,102,103,104,106
	102	52401	SPRING, LIGHT	1	102
G, H	1	71757	KIT, HSG, TRUNNION, STD SCISSOR, HVY SPRING	1	37,78,94,98,99,102,103,104,106
	102	51605	SPRING, HVY	1	102
J, K	1	71758	KIT, HSG, TRUNNION, CW SCISSOR, HVY SPRING	1	37,78,94,98,99,102,103,104,106
	102	51605	SPRING, HVY	1	102
L, M	1	71759	KIT, HSG, TRUNNION, CCW SCISSOR, HVY SPRING	1	37,78,94,98,99,102,103,104,106
	102	51605	SPRING, HVY	1	102
N, P	1	71760	KIT, HSG, TRUNNION, STD SCISSOR, MED SPRING	1	37,78,94,98,99,102,103,104,106
	102	51833	SPRING, MED	1	102
Q, R	1	71761	KIT, HSG, TRUNNION, CW SCISSOR, MED SPRING	1	37,78,94,98,99,102,103,104,106
	102	51833	SPRING, MED	1	102
T, U	1	71762	KIT, HSG, TRUNNION, CCW SCISSOR, MED SPRING	1	37,78,94,98,99,102,103,104,106
	102	51833	SPRING, MED	1	102
V, W	1	71763	KIT, HSG, TRUNNION, BASIC#1 CONTROL ARM	1	37,78,94,101,104,106
Y	1	70516	KIT, HOUSING	1	78
	37	2003005	ARM, TRUNNION, DOUBLE D	1	37
Z	1	70516	KIT, HOUSING	1	78
	37	2003005	ARM, TRUNNION, DOUBLE D	1	37
	94	45007	ARM, CONTROL	1	94
	95	50018	SCREW, SOCKET HEAD SET, 5/16-24 X .50	1	95
1	1	71769	KIT, HSG, TRUNNION ARM	1	37,78
2, 3	1	71764	KIT, HSG, TRUNNION, BASIC#2 CONTROL ARM	1	37,78,94,98,101,103,104,106
4, 7	1	71765	KIT, HSG, TRUNNION, CCW SLOTTED SCISSOR, MED SPRG	1	37,78,94,98,99,102,103,104,106
	102	51833	SPRING, MED	1	102
5, 6	1	71766	KIT, HSG, TRUNNION, CW SLOTTED SCISSOR, MED SPRG	1	37,78,94,98,99,102,103,104,106
	102	51833	SPRING, MED	1	102

FOR MODELS BUILT BEFORE JAN. 01, 2008 [SN 8001PXXXXX]\*\*  
[FOR MODELS BUILT AFTER JAN. 01, 2008 SEE PRECEDING PAGE]



111 - OVERHAUL SEAL KIT

\*\* NOTE: HOW TO READ BAR CODE LABEL SERIAL NUMBER DATE CODE  
EX. 8XXXPXXXXX CHARACTER 1 = YEAR(2008), CHARACTERS 2, 3, & 4 ARE  
1234  
JULIAN DATE CODE 001 THRU 365 (001 = JAN 1; 032 = FEB 1; 365 = DEC 31)





# PG SERIES SERVICE SCHEMATIC (BDP-10A)

MODEL NUMBER: 

P	G	-					-			*	*	-	*				
1	2	-	3	4	5	6	-	7	8	9	10	-	11	12	13	14	

BYPASS KITS				
CHARACTER 9	ITEM #	COMPONENT #	DESCRIPTION	QTY
1	15	2513030	KIT, BYPASS	1
2		2513031	KIT, BYPASS	1
Z		50918	KALLEVIG VALVE (TORO ONLY)	1

FAN & HUB KITS					
CHARACTER 10	ITEM #	COMPONENT #	DESCRIPTION	QTY	CONTAINS ITEMS:
X	90	N/A	NONE	0	----
A		71172	KIT, HUB 6" FAN CCW	1	80,81,82,83
B, D	90	71172	KIT, HUB 6" FAN CCW	1	80,81,82,83
	209	52016	BRACKET, SHROUD	1	209
C, E	90	71172	KIT, HUB 6" FAN CCW	1	80,81,82,83
	209	52016	BRACKET, SHROUD	1	209
	210	52059	SHROUD	1	210
1	90	70793	KIT, HUB 7" FAN CCW	1	80,81,82,83
2		70811	KIT, HUB 7" FAN CW	1	80,81,82,83
3		70629	KIT, HUB 6" FAN CCW	1	80,81,82,83
4		70632	KIT, HUB 7" FAN CCW	1	80,81,82,83
A,B,D,C,E, 1,2,3,4	80	52506	NUT, SIDELOCK 5/16-24UNF	1	80

TORQUE BRACKET				
CHARACTER 11	ITEM #	COMPONENT #	DESCRIPTION	QTY
X	35	N/A	NONE	0
1, 2, 3, 4		51593	TORQUE BRACKET	1

