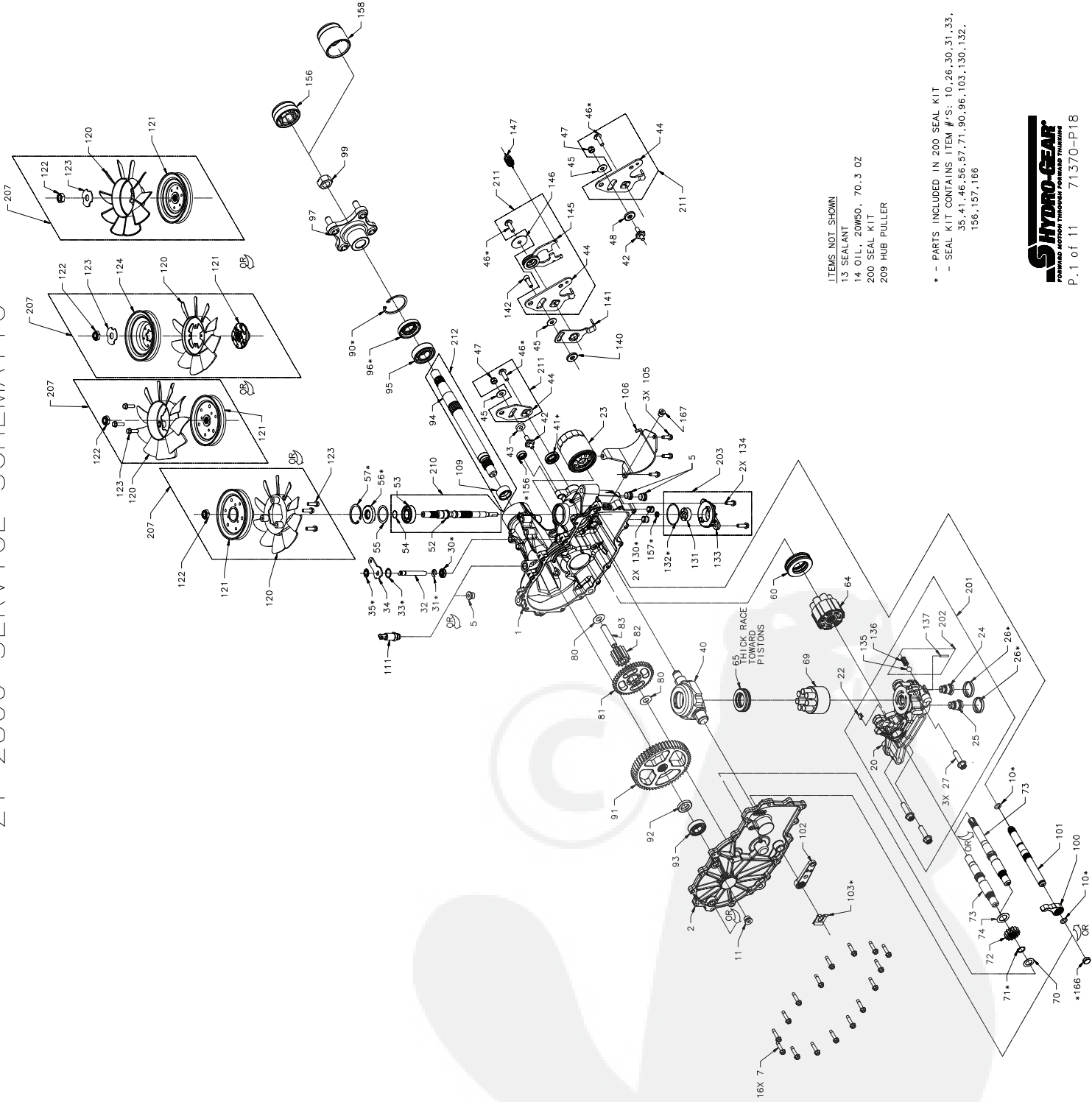


ZT-2800 SERVICE SCHEMATIC



ITEMS NOT SHOWN

- 13 SEALANT
- 14 OIL, 20W50, 70.3 OZ
- 200 SEAL KIT
- 209 HUB PULLER

* - PARTS INCLUDED IN 200 SEAL KIT
 - SEAL KIT CONTAINS ITEM #S: 10, 26, 30, 31, 33, 35, 41, 46, 56, 57, 71, 90, 96, 103, 130, 132, 156, 157, 166

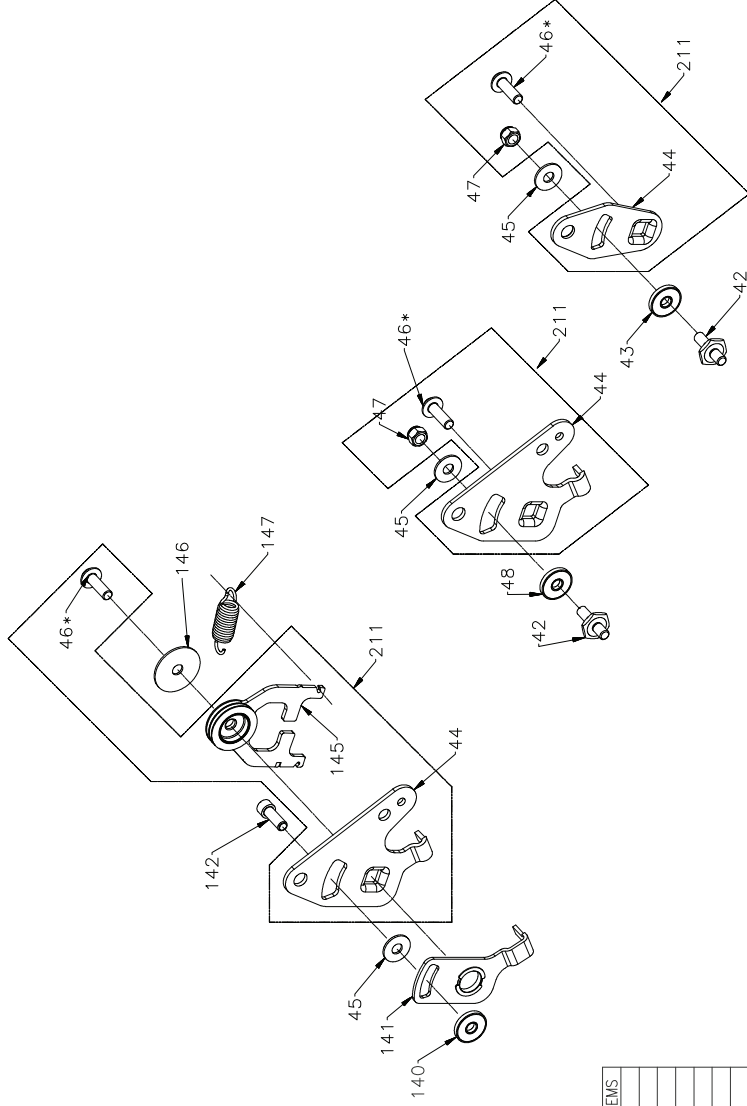
ZT-2800 SERVICE SCHEMATIC

MODEL NUMBER: Z 1 2 - * 3 4 5 6 - 7 8 9 10 *
 CHARACTER #: 1 2 - 3 4 5 6 - 7 8 9 10 *
 - 11 12 13 14

CONTROL TYPE		CHAR 9	CHAR 10	ITEM COMPONENT	DESCRIPTION	QTY	
0, 5, N, P	A			42	STUD, SHORT 5/16-24	1	
				43	PUCK, FRICTION	1	
				45	WASHER .34X .88X .06	1	
				46	TWCS 5/16-24 X 1.00 (PATCH)	1	
				47	NUT, HEX LOCK 5/16-24 UNF	1	
	B, C, F, G			42	STUD, SHORT 5/16-24	1	
				45	WASHER .34X .88X .06	1	
				46	TWCS 5/16-24 X 1.00 (PATCH)	1	
				47	NUT, HEX LOCK 5/16-24 UNF	1	
				48	SPACER	1	
2, 3, 4, 7, 8, 9, A, B, C, D, E, F, G, H, J, K, L, M	S			42	STUD, SHORT 5/16-24	1	
				45	WASHER .34X .88X .06	1	
				46	TWCS 5/16-24 X 1.00 (PATCH)	1	
				140	SPACER .320 X 1.005 X .179	1	
				142	SHCS 5/16-24X1 PATCH	1	
	B, C, F, G				146	WASHER, .343 X 1.500 X .062	1
					147	SPACER	1
					148	SPACER	1
					149	SPACER	1
					150	SPACER	1

NEUTRAL ARM		CHAR 9	CHAR 10	ITEM COMPONENT	DESCRIPTION	QTY
2, 3, 4, 7, 8, 9, A, B, C, D, E, F, G, H, J, K, L, M	B, F			51945	ARM, NEUTRAL RIGHT	1
				C, G	51946	ARM, NEUTRAL LEFT

SPRING		CHAR 9	CHAR 10	ITEM COMPONENT	DESCRIPTION	QTY
2, 3, 4, 7, 8, 9, A, B, C, D, E, F, G, H, J, K, L, M	B, C, F, G			52401	SPRING, EXTNSN .57 X 2*	1
				51833	SPRING, EXTNSN RTN-34LBS	1
				51605	SPRING, EXTNSN RTN-44LBS	1



RTN ASSEMBLY & CONTROL ARM		CHAR 3	CHAR 9	CHAR 10	ITEM COMPONENT	DESCRIPTION	QTY	CONTAINS ITEMS
6, H, J, K, L, M	0				71592	KIT, RTN, BIDIRECTIONAL	1	44, 46, 145
					71598	KIT, RTN, BIDIRECTIONAL	1	44, 46, 145
					71588	KIT, RTN, BIDIRECTIONAL	1	44, 46, 145
					71595	KIT, RTN, BIDIRECTIONAL	1	44, 46, 145
					71593	KIT, RTN, CCW	1	44, 46, 145
					71599	KIT, RTN, CCW	1	44, 46, 145
					71590	KIT, RTN, CW	1	44, 46, 145
					71597	KIT, RTN, CW	1	44, 46, 145
					71594	KIT, RTN, CW	1	44, 46, 145
					71600	KIT, RTN, CW	1	44, 46, 145
					71589	KIT, RTN, CCW	1	44, 46, 145
					71596	KIT, RTN, CCW	1	44, 46, 145
					71633	ARM, CONTROL LH	1	44, 46, 47
					71637	ARM, CONTROL LH	1	44, 46, 47
					71634	ARM, CONTROL RH	1	44, 46, 47
2, A, G 7, D, K 3, B, H 8, E, L 9, F, M	5				71636	ARM, CONTROL RH	1	44, 46, 47
					71588	KIT, RTN, BIDIRECTIONAL	1	44, 46, 145
					71595	KIT, RTN, BIDIRECTIONAL	1	44, 46, 145
					71592	KIT, RTN, BIDIRECTIONAL	1	44, 46, 145
					71598	KIT, RTN, CCW	1	44, 46, 145
					71597	KIT, RTN, CW	1	44, 46, 145
					71593	KIT, RTN, CCW	1	44, 46, 145
					71599	KIT, RTN, CCW	1	44, 46, 145
					71589	KIT, RTN, CCW	1	44, 46, 145
					71594	KIT, RTN, CW	1	44, 46, 145
					71590	KIT, RTN, CW	1	44, 46, 145
					71596	KIT, RTN, CCW	1	44, 46, 145
					71600	KIT, RTN, CW	1	44, 46, 145
					71633	ARM, CONTROL RH	1	44, 46, 47
					K, L, M	0		
71633	ARM, CONTROL LH	1	44, 46, 47					
71637	ARM, CONTROL LH	1	44, 46, 47					

* - PARTS INCLUDED IN 200 SEAL KIT
 ITEM COMPONENT DESCRIPTION QTY
 200 71470 KIT, SEAL 1

ZT-2800 SERVICE SCHEMATIC

MODEL NUMBER: Z 2
 CHARACTER #: 1 2

- 3 4 5 6
 - *

- 7 8 9 10
 -

- 11 12 13 14

AXLE KITS (CONTAIN ITEM #'S 94 & 109)

CHAR 4	ITEM	COMPONENT	DESCRIPTION	QTY
A THRU E L, M	71569		KIT, SHAFT, AXLE	1
F THRU K N, P	212		KIT, SHAFT, AXLE	1

HUB KITS (INCLUDES HUB AND STUDS)

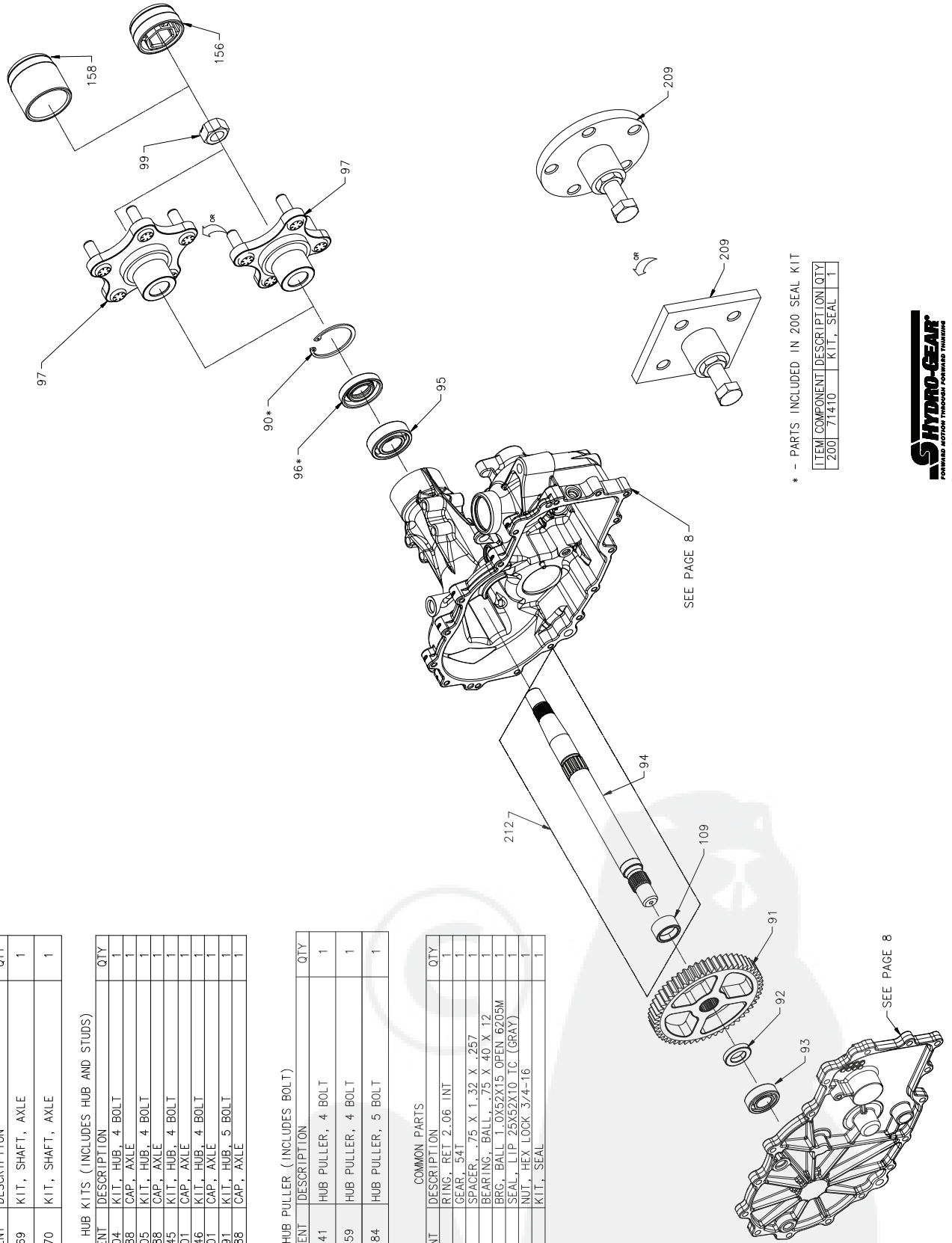
CHAR4	ITEM	COMPONENT	DESCRIPTION	QTY
B, G	97		KIT, HUB, 4 BOLT	1
	156		CAP, AXLE	1
C, H	97		KIT, HUB, 4 BOLT	1
	156		CAP, AXLE	1
L, N	97		KIT, HUB, 4 BOLT	1
	158		CAP, AXLE	1
M, P	97		KIT, HUB, 4 BOLT	1
	158		CAP, AXLE	1
E, K	97		KIT, HUB, 5 BOLT	1
	156		CAP, AXLE	1

HUB PULLER (INCLUDES BOLT)

CHAR4	ITEM	COMPONENT	DESCRIPTION	QTY
B, C, G, H	71241		HUB PULLER, 4 BOLT	1
L, M, N, P	71459		HUB PULLER, 4 BOLT	1
E, K	71784		HUB PULLER, 5 BOLT	1

COMMON PARTS

ITEM	COMPONENT	DESCRIPTION	QTY
90		RING, RET 2.06 INT	1
91		GEAR, 54T	1
92		SPACER, .75 X 1.32 X .257	1
93		BEARING, BALL, .75 X .40 X .12	1
95		BRG, BALL 1.0X52X15 OPEN 6205M	1
96		SEAL, LIP 25X52X10 IC (GRAY)	1
99		NUT, HEX LOCK 3/4-16	1
200		KIT, SEAL	1



* - PARTS INCLUDED IN 200 SEAL KIT

ITEM	COMPONENT	DESCRIPTION	QTY
200		KIT, SEAL	1

ZT-2800 SERVICE SCHEMATIC

MODEL NUMBER: Z - * - * - * - *
 CHARACTER #: 1 2 - 3 4 5 6 - 7 8 9 10 - 11 12 13 14

BYPASS ARM

CHAR 11	ITEM	COMPONENT	DESCRIPTION	QTY
1	51629	ARM, BYPASS		1
2	51910	ARM, BYPASS		1
3	52370	ARM, BYPASS		1
4	52742	ARM, BYPASS		1

BRAKE ARM

CHAR 7	CHAR 3	ITEM	COMPONENT	DESCRIPTION	QTY
1	G, H, J, K, L, M	52501	HANDLE, BRAKE		1
2		52172	ARM, BRAKE		1
3, 6		52639	HANDLE, ACTUATING		1
5	G, H, J, K, L, M	71957	KIT, BRAKE ARM RIGHT HAND		1
		71958	KIT, BRAKE ARM LEFT HAND		1

BRAKE SHAFT

CHAR 7	CHAR 8	ITEM	COMPONENT	DESCRIPTION	QTY
3, 5, 6	A, B, C, E, F, G, J, K, L, N, P, R	52651	SHAFT, BRAKE		1
		101	REFERENCE SHEET 11 FOR BRAKE SHAFT OPTIONS		

CHARGE COMPONENTS

CHAR 3	ITEM	COMPONENT	DESCRIPTION	QTY
	130	52157	TUBE, CONNECTING	2
	131	50273	GEROTOR ASSEMBLY (1.9 cc/rev)	1
G, H, K, L	132	52250	O-RING, -137, 0.103 X 2.050	1
	133	52688	COVER, CHARGE PUMP	1
	134	50752	HFHCS 1/4-20X.75	2
	157	53456	SEAL, LIP 8 X 12 X 3 VC	1

INPUT SHAFT AND CHARGE KITS

CHAR 3	CHAR 12	ITEM	COMPONENT	DESCRIPTION	QTY	CONTAINS ITEMS
G, H, K, L, J, M	A-H	203	71411	KIT, CHARGE PUMP	1	131, 132, 135, 134
	L-Y	210	71442	KIT, INPUT SHAFT	1	52, 53, 54
			71443	KIT, INPUT SHAFT	1	52, 53, 54

BRAKE BIAS SPRING

CHAR 7	CHAR 3	ITEM	COMPONENT	DESCRIPTION	QTY
5, 6	G, H, J, K, L, M	159	53429	SPRING, TORSION, CCW	1
			53483	SPRING, TORSION, CW	1

COMMON PARTS

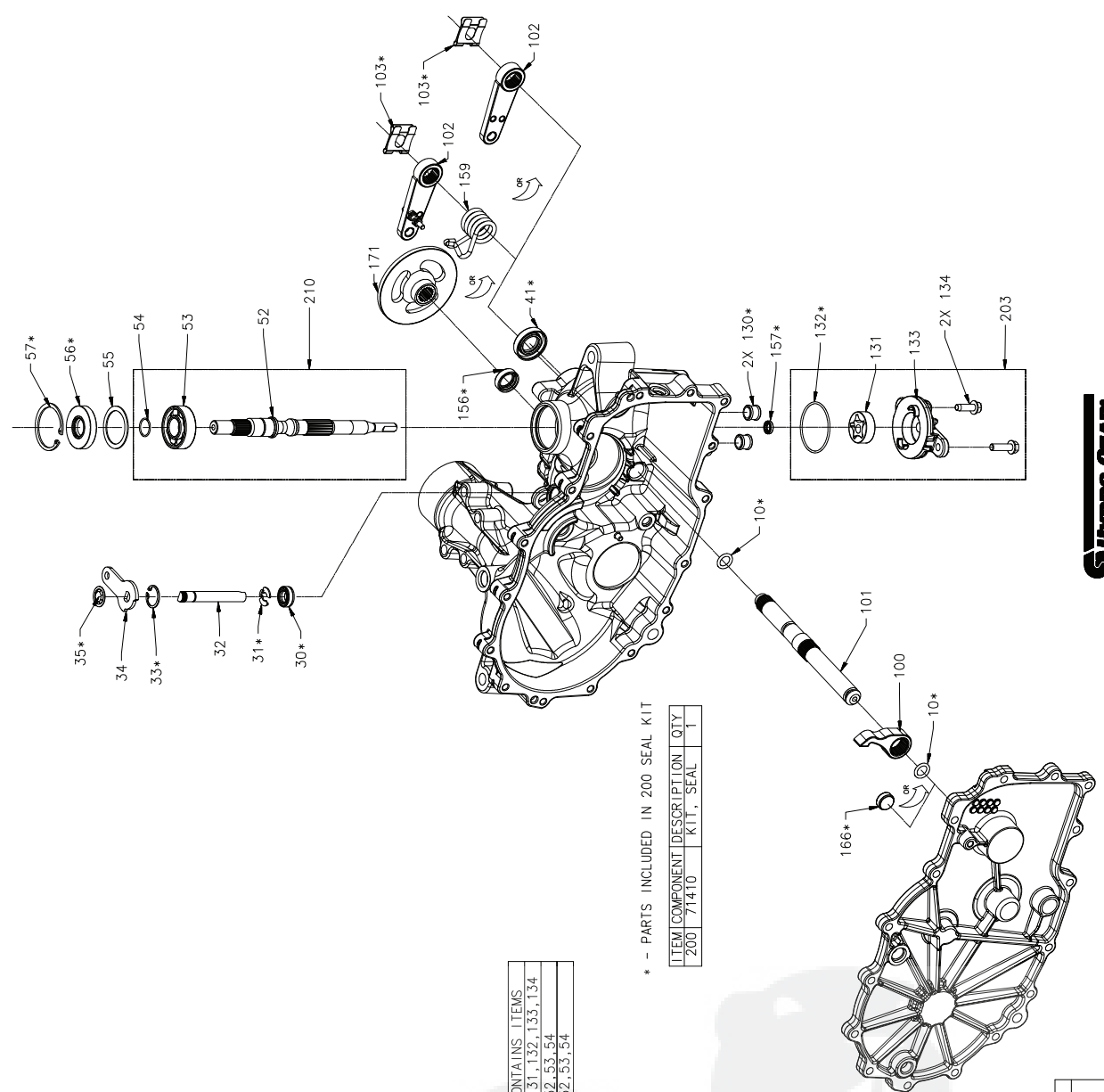
ITEM	COMPONENT	DESCRIPTION	QTY
30	51626	SEAL, LIP .375X .75X .25	1
31	51628	RING, RET .375 EXTRNL	1
32	52136	ROD, BYPASS	1
33	51627	RING, RET .750 INTRNL	1
35	51630	RING, RTNG .375 EXT	1
41	51140	SEAL, LIP 12 X 32 X 7	1
55	50951	WASHER 1.23X1.56X.04	1
56	51161	SEAL, LIP 17X40X7	1
57	50329	RING, RETAINING	1

BRAKE COMPONENT

CHAR 7	ITEM	COMPONENT	DESCRIPTION	QTY
3, 5, 6	10	51804	O-RING - 111 .103 X .424	2
	100	52766	PAWL, BRAKE	1
	103	52027	CLIP, RETAINING	1
4	156	53138	SEAL, LIP .625 X .875 X .25	1
	166	53139	SEAL, PLUG .64 X .25	1
	171	52582	BRAKE ROTOR	1

BRAKE COMPONENT

CHAR 7	ITEM	DESCRIPTION
1, 2	100	REFERENCE SHEET 9 FOR UNIT REPLACEMENT (REFERENCE BLN-52696)
	101	
	104	
	208	



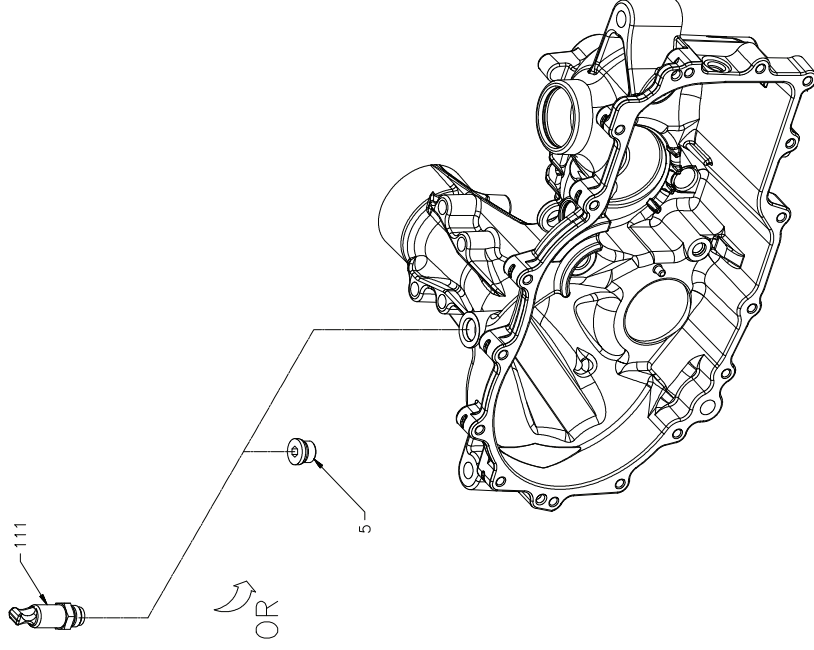
* - PARTS INCLUDED IN 200 SEAL KIT
 ITEM COMPONENT DESCRIPTION QTY
 200 71410 KIT, SEAL 1

ZT-2800 SERVICE SCHEMATIC

MODEL NUMBER: Z 1 2 - 3 4 5 6 - 7 8 9 10 - 11 12 13 14
 CHARACTER #: 1 2 - 3 4 5 6 - 7 8 9 10 - 11 12 13 14

BREATHER FITTINGS

CHAR 5	CHAR 13	ITEM	COMPONENT	DESCRIPTION	QTY
	L	111	71393	FITTING, STR 9/16-18 SAE .5 BARB	1
A THRU C	R	5	9005110-5600	PLUG 9/16-18 (METAL)	1
	X	4	9005200-5600	PLUG 9/16-18 (PLASTIC)	1
K THRU T	X	5	9005110-5600	PLUG 9/16-18 (METAL)	3



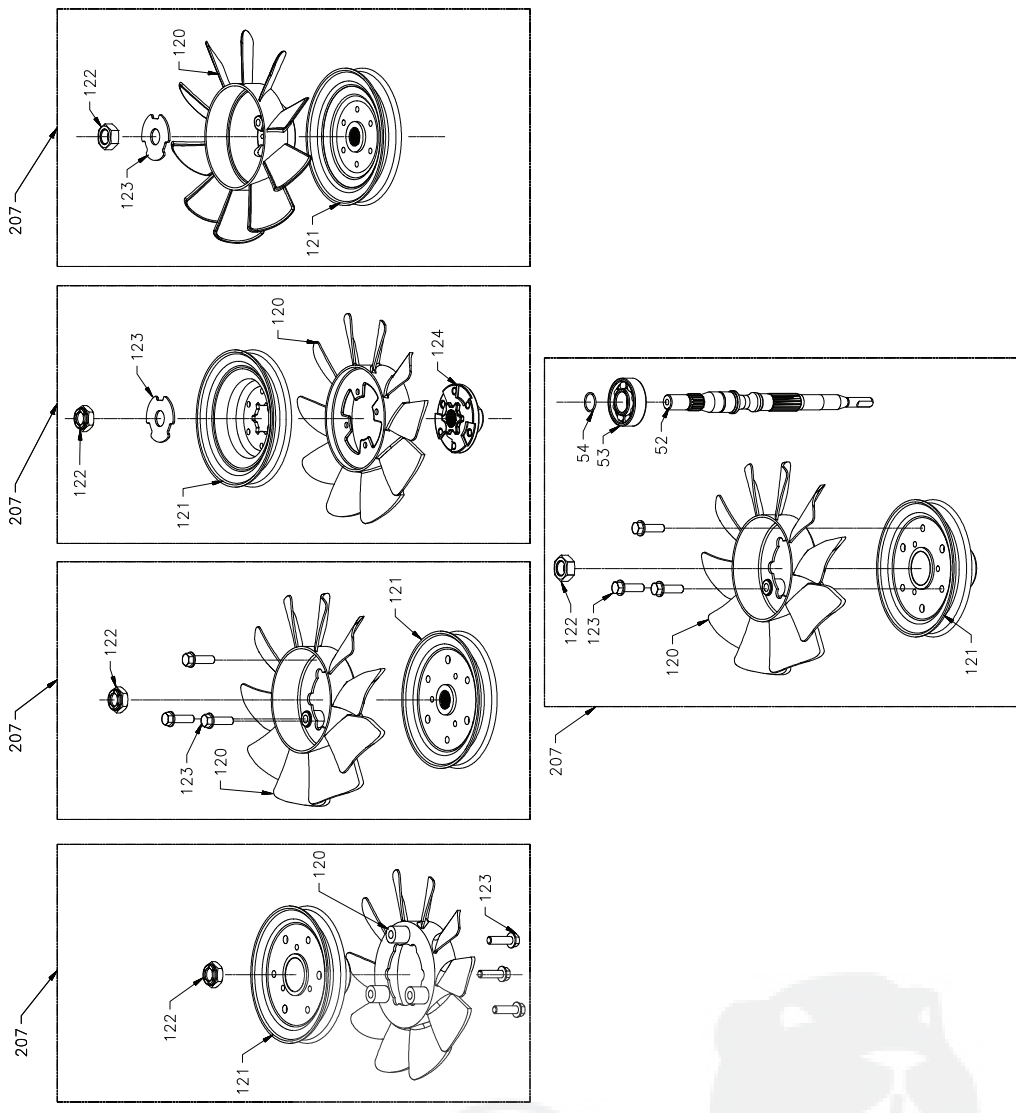
ZT-2800 SERVICE SCHEMATIC

MODEL NUMBER: Z
 CHARACTER #: 1 2

3 4 5 6 7 8 9 10 11 12 13 14

FAN & PULLEY KIT

CHAR12	CHAR3	ITEM	COMPONENT	DESCRIPTION	QTY
A		207	71694	KIT, FAN & PULLEY	1
		120	52901	FAN 7.0 (10 BLADE)	1
		121	50302	PULLEY, 4.5 X 1.625	1
		122	44133	NUT, HEX JAM 1/2-20 W/PATCH	1
B		123	51076	SCREW, HEX 1/4-20 X .875	3
		207	70630	KIT, FAN & PULLEY	1
		120	51230	FAN 7.0 (10 BLADE)	1
		121	51416	PULLEY	1
E		122	44133	NUT, HEX JAM 1/2-20 W/PATCH	1
		123	51523	WASHER, OD SLOTTED .53X1.63X.0	1
		207	70488	KIT, FAN & PULLEY	1
		120	51862	FAN, 7.0 (10 BLADE)	1
F		121	51875	PULLEY 4.5 INCH	1
		122	44133	NUT, HEX 1/2-20 PATCH	1
		123	51523	WASHER, OD SLOTTED .53X1.63X.0	1
		207	71512	KIT, FAN & PULLEY	1
G		120	52576	FAN 7.0 (10 BLADE)	1
		121	50302	PULLEY 4.5 X 1.625	1
		122	44133	NUT, HEX JAM 1/2-20 W/PATCH	1
		123	51076	HFHCS 1/4-20 X .875	3
H		207	71833	KIT, FAN & PULLEY	1
		52		SHAFT, INPUT	1
		53		BEARING, BALL 17MM X 40MM 12 MM	1
		54		RING, RETAINING	1
I		120	52576	FAN 7.0 (BLADE)	1
		121		PULLEY 4.5	1
		122	44133	NUT, HEX JAM 1/2-20 W/PATCH	1
		123	51076	HFHCS 1/4-20 X .875	3
J		207	71826	KIT, FAN & PULLEY	1
		120	52576	FAN 7.0 (10 BLADE)	1
		121	51182	PULLEY 4.5 INCH	1
		122	44133	NUT, HEX JAM 1/2-20 W/PATCH	1
K		123	51076	HFHCS 1/4-20 X .875	3
		207	71333	KIT, FAN & PULLEY	1
		120	52315	FAN, 7.0 (10 BLADE)	1
		121	50302	PULLEY 4.5 INCH	1
L		122	44133	NUT, HEX JAM 1/2-20 W/PATCH	1
		123	51076	HFHCS 1/4-20 X .875	3
		207	71699	KIT, FAN & PULLEY	1
		120	52735	FAN, 7.0 (10 BLADE)	1
M		121	50302	PULLEY 4.5 INCH	1
		122	44133	NUT, HEX JAM 1/2-20 W/PATCH	1
		123	51523	WASHER, OD SLOTTED .53X1.63X.0	1
		124	52366	HUB	1
N		207	71511	KIT, FAN & PULLEY	1
		120	52576	FAN 7.0 (10 BLADE)	1
		121	51182	PULLEY 4.5	1
		122	44133	NUT, HEX JAM 1/2-20 W/PATCH	1
O		123	51076	HFHCS 1/4-20 X .875	3
		207	71552	KIT, FAN & PULLEY	1
		120	52747	FAN 7.0 (10 BLADE)	1
		121	52685	PULLEY 5.0 INCH	1
P		122	44133	NUT, HEX JAM 1/2-20 W/PATCH	1
		123	51523	WASHER, OD SLOTTED .53 X 1.63 X .06	1
		207	71655	KIT, FAN & PULLEY	1
		120	52901	FAN 7.0 (10 BLADE)	1
Q		121	51182	PULLEY 4.5	1
		122	44133	NUT, HEX JAM 1/2-20 W/PATCH	1
		123	51076	HFHCS 1/4-20 X .875	3
		124	52366	HUB	1
R		207	71511	KIT, FAN & PULLEY	1
		120	52576	FAN 7.0 (10 BLADE)	1
		121	51182	PULLEY 4.5	1
		122	44133	NUT, HEX JAM 1/2-20 W/PATCH	1
S		123	51076	HFHCS 1/4-20 X .875	3
		207	71552	KIT, FAN & PULLEY	1
		120	52747	FAN 7.0 (10 BLADE)	1
		121	52685	PULLEY 5.0 INCH	1
T		122	44133	NUT, HEX JAM 1/2-20 W/PATCH	1
		123	51523	WASHER, OD SLOTTED .53 X 1.63 X .06	1
		207	71655	KIT, FAN & PULLEY	1
		120	52901	FAN 7.0 (10 BLADE)	1
U		121	51182	PULLEY 4.5	1
		122	44133	NUT, HEX JAM 1/2-20 W/PATCH	1
		123	51076	HFHCS 1/4-20 X .875	3
		124	52366	HUB	1
V		207	71511	KIT, FAN & PULLEY	1
		120	52576	FAN 7.0 (10 BLADE)	1
		121	51182	PULLEY 4.5	1
		122	44133	NUT, HEX JAM 1/2-20 W/PATCH	1
W		123	51076	HFHCS 1/4-20 X .875	3
		207	71552	KIT, FAN & PULLEY	1
		120	52747	FAN 7.0 (10 BLADE)	1
		121	52685	PULLEY 5.0 INCH	1
X		122	44133	NUT, HEX JAM 1/2-20 W/PATCH	1
		123	51523	WASHER, OD SLOTTED .53 X 1.63 X .06	1
		207	71655	KIT, FAN & PULLEY	1
		120	52901	FAN 7.0 (10 BLADE)	1
Y		121	51182	PULLEY 4.5	1
		122	44133	NUT, HEX JAM 1/2-20 W/PATCH	1
		123	51076	HFHCS 1/4-20 X .875	3
		124	52366	HUB	1



ZT-2800 SERVICE SCHEMATIC

MODEL NUMBER: Z
 CHARACTER #: 1 2

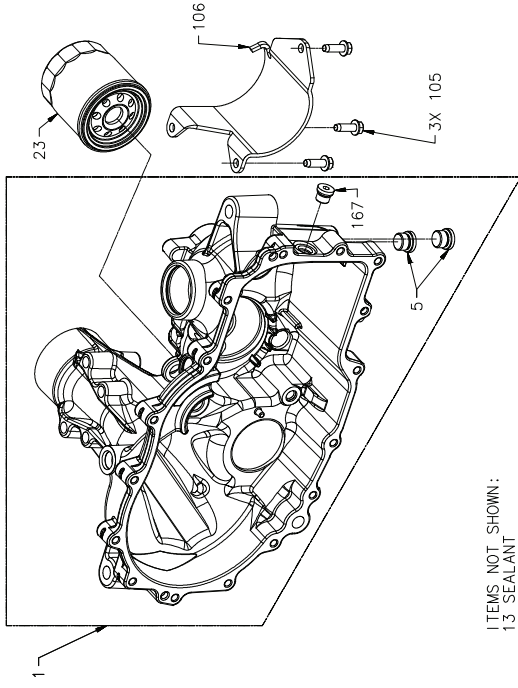
* 3 4 5 6

* 7 8 9 10

- 11 12 13 14

MAIN HOUSING KITS (INCLUDES BUSHINGS AND PINS)

CHAR 7	CHAR 5	CHAR 3	CHAR 9	ITEM COMPONENT	DESCRIPTION	QTY	CONTAINS ITEMS				
1, 3	A THRU G	G, H	0 THRU 4, A THRU C G THRU J & N	71412	KIT, HOUSING, MAIN, RH, CHR	1					
				71413	KIT, HOUSING, MAIN, RH, CHR, CNTL	1					
				71414	KIT, HOUSING, MAIN, RH	1					
				71415	KIT, HOUSING, MAIN, RH, CNTL	1					
				71420	KIT, HOUSING, MAIN, LH, CHR	1					
				71421	KIT, HOUSING, MAIN, LH, CHR, CNTL	1					
				71424	KIT, HOUSING, MAIN, LH	1					
				71425	KIT, HOUSING, MAIN, LH, CNTL	1					
				71821	KIT, HOUSING MAIN, RH, DISC	1					
				71822	KIT, HOUSING MAIN, LH, DISC	1					
4	A THRU G	G, H	0 THRU 4, A THRU C G THRU J & N	71418	KIT, HOUSING, MAIN, RH, CHR	1	5, 167				
				71419	KIT, HOUSING, MAIN, RH, CHR, CNTL	1	5, 167				
				71416	KIT, HOUSING, MAIN, RH	1	5, 167				
				71417	KIT, HOUSING, MAIN, RH, CNTL	1	5, 167				
				71422	KIT, HOUSING, MAIN, LH, CHR	1	5, 167				
				71423	KIT, HOUSING, MAIN, LH, CHR, CNTL	1	5, 167				
				71426	KIT, HOUSING, MAIN, LH	1	5, 167				
				71427	KIT, HOUSING, MAIN, LH, CNTL	1	5, 167				
				1, 3	K THRU T	J	0 THRU 4, A THRU C G THRU J & N	71416	KIT, HOUSING, MAIN, RH	1	5, 167
								71417	KIT, HOUSING, MAIN, RH, CNTL	1	5, 167
71422	KIT, HOUSING, MAIN, LH, CHR	1	5, 167								
71423	KIT, HOUSING, MAIN, LH, CHR, CNTL	1	5, 167								
71426	KIT, HOUSING, MAIN, LH	1	5, 167								
71427	KIT, HOUSING, MAIN, LH, CNTL	1	5, 167								



ITEMS NOT SHOWN:
 13 SEALANT
 14 OIL, 20W50, 70.3 OZ
 200 SEAL KIT

SIDE COVER KITS (INCLUDES BUSHINGS)

CHAR 7	CHAR 5	CHAR 3	CHAR 9	ITEM COMPONENT	DESCRIPTION	QTY				
3, 4	A THRU G	G, H, J	0 THRU 4, A THRU C G THRU J & N	71571	KIT, COVER, SIDE, RH, CNTL	1				
				71572	KIT, COVER, SIDE, RH	1				
				71573	KIT, COVER, SIDE, LH, CNTL	1				
				71574	KIT, COVER, SIDE, LH	1				
				71575	KIT, COVER, SIDE, RH, CNTL	1				
				71576	KIT, COVER, SIDE, RH	1				
				71577	KIT, COVER, SIDE, LH, CNTL	1				
				71578	KIT, COVER, SIDE, LH	1				
				K THRU T	K, L, M	0 THRU 4, A THRU C G THRU J & N	0 THRU 4, A THRU C G THRU J & N	71571	KIT, COVER, SIDE, RH, CNTL	1
								71572	KIT, COVER, SIDE, RH	1
71573	KIT, COVER, SIDE, LH, CNTL	1								
71574	KIT, COVER, SIDE, LH	1								
71575	KIT, COVER, SIDE, RH, CNTL	1								
71576	KIT, COVER, SIDE, RH	1								
71577	KIT, COVER, SIDE, LH, CNTL	1								
71578	KIT, COVER, SIDE, LH	1								

SIDE COVER AND GEAR

CHAR 7	CHAR 2	CHAR 3	ITEM #	COMPONENT	DESCRIPTION	QTY
1, 2	H, K	J, L, M	2, 82	71541	KIT, COVER, SIDE, RH PM	1
				71543	KIT, COVER, SIDE, RH STEEL	1
				71542	KIT, COVER, SIDE LH PM	1
				71544	KIT, COVER, SIDE LH STEEL	1

FILTER GUARD

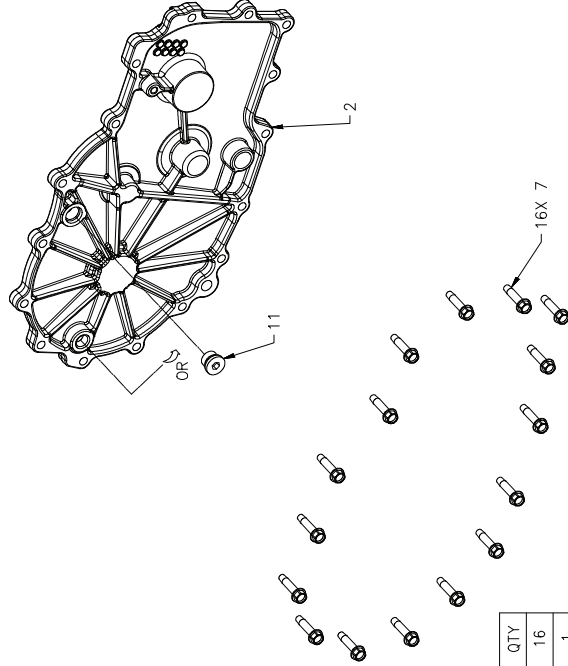
CHAR 3	ITEM COMPONENT	DESCRIPTION	QTY
G, H, J	52257	GUARD, FILTER, RH	1
K, L, M	52247	GUARD, FILTER, LH	1

PLUGS

CHAR 5	ITEM COMPONENT	DESCRIPTION	QTY
K THRU T	5	9005110-5600 PLUG 9/16-18 (METAL)	2
	167	9005110-4400 PLUG, 7/16-20 STR THREAD SOCKET HEAD	1

COMMON PARTS

ITEM COMPONENT	DESCRIPTION	QTY
7 53246	HFCS 1/4-20 X 1.125*	16
11 9005110-5600	PLUG 9/16-18 (METAL)	1
13 50928	SEALANT	1
14	OIL, 20W50	70.30Z
23 52114	FILTER, OIL	1
105 50752	HFCS 1/4-20 X .75	3
200 71410	KIT, SEAL	1



ZT-2800 SERVICE SCHEMATIC

DUE TO PART OBSOLETION, THE FOLLOWING MODELS REQUIRE UNIT REPLACEMENT WHEN ITEMS # 64,100,101,104,201,208 REQUIRE SERVICE:

OLD MODEL NO.	NEW MODEL NO.
SUPERSEDED TO	
ZH-GCEE-1B8B-1BXX	ZH-GCEE-3B8B-1BXX
ZH-KCEE-1B8C-1BXX	ZH-KCEE-3B8C-1BXX
ZH-JCEE-1B8B-1BXX	ZH-JCEE-3B8B-1BXX
ZH-MCEE-1B8C-1BXX	ZH-MCEE-3B8C-1BXX
ZJ-GMEE-1ELB-1FLX	71728
ZJ-KMEE-1ELC-1FLX	71729
ZJ-GCEF-1KKB-1EXX	ZJ-GCEF-3KKB-1EXX
ZJ-KCEF-1KKC-1EXX	ZJ-KCEF-3KKC-1EXX
ZK-GHEE-1K5A-2LXX	ZK-GHEF-3K5A-2LLX
ZK-KHEE-1K5A-2LXX	ZK-KHEF-3K5A-2LLX
ZK-GHEE-1K5A-2LLX	ZK-GHEF-3K5A-2LLX
ZK-KHEE-1K5A-2LLX	ZK-KHEF-3K5A-2LLX
ZK-GHEE-1KKB-2LXX	ZK-GHEF-3KKB-2LLX
ZK-KHEE-1KKB-2LXX	ZK-KHEF-3KKB-2LLX
ZK-GHEF-1KKB-2LLX	ZK-GHEF-3KKB-2LLX
ZK-KHEF-1KKB-2LLX	ZK-KHEF-3KKB-2LLX
ZL-GCEE-1K5A-1LXX	ZL-GCEE-3K5A-1LXX
ZL-KCEE-1K5A-1LXX	ZL-KCEE-3K5A-1LXX
ZL-GCEE-1K5A-1EXX	ZL-GCEE-3K5A-1EXX
ZL-KCEE-1K5A-1EXX	ZL-KCEE-3K5A-1EXX
ZL-GMEE-1BEB-2FXX	ZL-GMEE-3BLB-2FXX
ZL-KMEE-1BEC-2FXX	ZL-KMEE-3BLC-2FXX
ZL-GMEE-1BLB-2FXX	ZL-GMEE-3BLB-2FXX
ZL-KMEE-1BLC-2FXX	ZL-KMEE-3BLC-2FXX
ZL-GPEE-2N5B-2LXX	ZL-GPEE-3N5B-2LXX
ZL-KPEE-2N5C-2LXX	ZL-KPEE-3N5C-2LXX
ZL-GHEF-1KKB-2LLX	ZL-GHEF-3KKB-3LLX
ZL-KHEF-1KKB-2LLX	ZL-KHEF-3KKB-3LLX
ZL-GHEF-1KKB-3LLX	ZL-GHEF-3KKB-3LLX
ZL-KHEF-1KKB-3LLX	ZL-KHEF-3KKB-3LLX
ZM-GCEE-1L8B-2TLX	ZM-GCEE-3L8B-2TLX
ZM-KCEE-1L8C-2TLX	ZM-KCEE-3L8C-3TLX

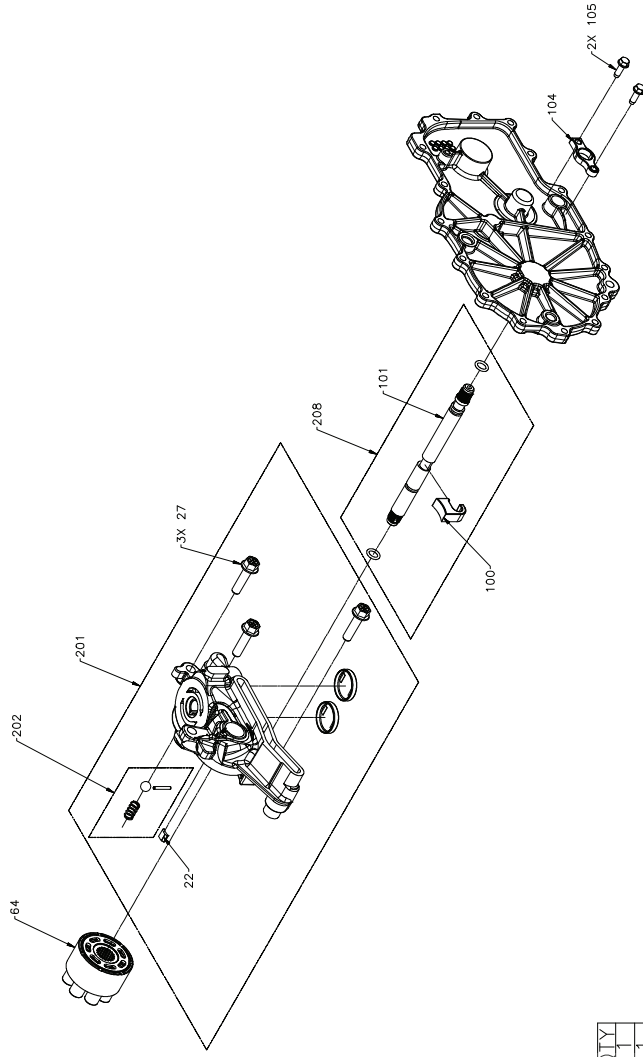
ZT-2800 SERVICE SCHEMATIC

MODEL NUMBER: Z 1 2
 CHARACTER #: 1 2

- * 3 4 5 6 -

- * 7 8 9 10 -

- * 11 12 13 14 -



BRAKE CAM KIT

CHAR 7	CHAR 8	ITEM	COMPONENT	DESCRIPTION	QTY
1, 2	B, E	208	71408	KIT, BRAKE CAM	1
	K	208	71409	KIT, BRAKE CAM	1

BRAKE CAM

CHAR 7	CHAR 8	ITEM	COMPONENT	DESCRIPTION	QTY
1, 2	B, E	101	52244	CAM, BRAKE	1
	K	101	52245	CAM, BRAKE	1

CENTER SECTION KIT/BLOCK ASSEMBLY

CHAR 7	CHAR 3	CHAR 5	CHAR 6	ITEM	COMPONENT	DESCRIPTION	QTY
	G-M	A-R	A-R	64	70735	ASSY, CYLINDER BLOCK, 16cc	1
	G		E		71438	KIT, CENTER SECTION, RH, CHRG	1
	K		F		71440	KIT, CENTER SECTION, LH, CHRG	1
1, 2					71479	KIT, CENTER SECTION, RH, CHRG	1
	K				71480	KIT, CENTER SECTION, LH, CHRG	1
	G, K	A-R	A-R	202	71411	KIT, CHARGE	1

COMMON PARTS

CHAR 7	ITEM	COMPONENT	DESCRIPTION	QTY
	22	51448	PLATE, BYPASS	1
1, 2	27	52137	HFHCS 3/8-16X1.5 (PATCH)	3
	100	52118	PUCK, BRAKE	1
	104	52115	RETAINER, CAM STOP	1
	105	50752	HFHCS 1/4-20X.75	2

ZT-2800 SERVICE SCHEMATIC

MODEL NUMBER:	Z	-	-	-	-	-	-	-	-	-	-	-	-	-	-
CHARACTER #:	1	2	3	4	5	6	7	8	9	10	11	12	13	14	

BRAKE SHAFT

CHAR 7	CHAR 8	MODEL NUMBER	ITEM #	COMPONENT	DESCRIPTION	QTY
3	J, K, L, N, P, R	ZM-GCEE-3L8B-2TLX	101	52640	BRAKE SHAFT	1
		ZM-KCEE-3L8C-3TLX				
		ZM-GEEE-3LEF-2ALX				
		ZM-KEEE-3LEG-3ALX				
		ALL OTHERS				
			72046	KIT, BRAKE SHAFT	1	

FOR WHOLE UNIT REPLACEMENT, PLEASE USE THE FOLLOWING TABLE:

OLD MODEL NO.	NEW MODEL NO.
	SUPERSEDED TO
ZM-GCEE-3L8B-2TLX	72047
ZM-KCEE-3L8C-3TLX	72048
ZM-GEEE-3LEF-2ALX	72049
ZM-KEEE-3LEG-3ALX	72050

