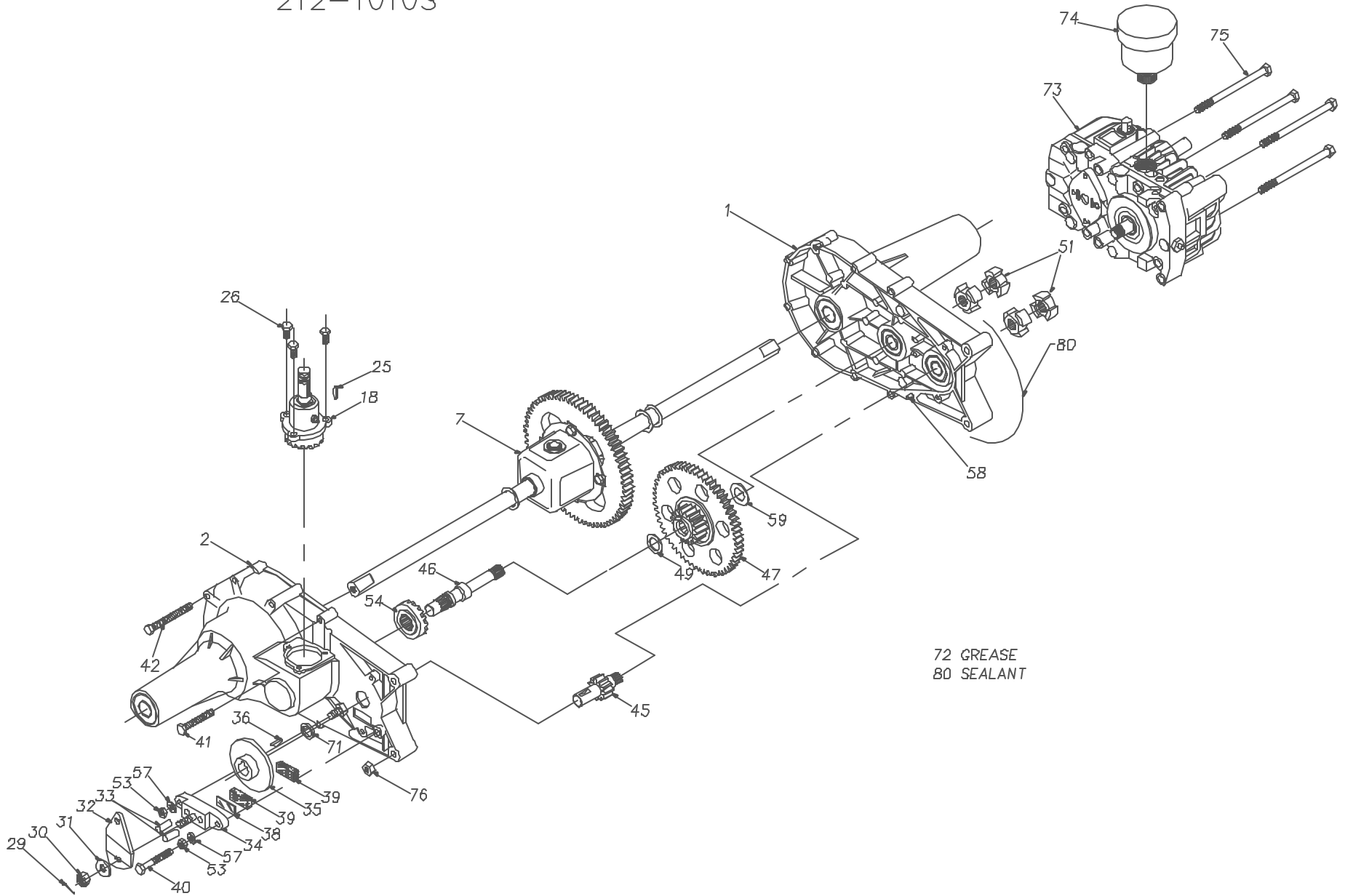


618-3076  
212-1010S



  
P.1 of 2. 70069-SB

618-3076  
212-1010S

REF	HYDRO-GEAR PART NO	OEM PART NO	QTY	DESCRIPTION
1	625B7		1	ASSY HOUSING, LH
			1	HOUSING, LH
			2	BALL BEARING, 3/4 ID X 40MM X 12MM
			2	BALL BEARING, .62 ID X 1.38 X .44
2	625B6		1	ASSY HOUSING, RH
			1	HOUSING, RH
			2	BALL BEARING, 3/4 ID X 40MM X 12MM
			1	BALL BEARING, .35 OD X 15 ID
			1	BALL BEARING, .62 ID X 1.38 X .44
7	625B1		1	ASSY DIFFERENTIAL (COMPLETE)
			1	LH AXLE, 3/4 DIA.
			1	RH AXLE, 3/4 DIA.
			2	MITER GEAR (SPLINED)
			2	HEX JAM NUT, 1/2-20
			1	FLANGE BEARING, 3/4 ID X 7/8 OD
			1	DIFFERENTIAL HOUSING
			1	FLANGE BEARING, 3/4 ID X 1.0 OD
			1	DIFFERENTIAL GEAR
			2	MITER GEAR, 1/2 ID
			1	CROSS SHAFT
			2	THRUST BEARING, 1/2 X 1 OD
			2	RETAINING RING
			4	DIFFERENTIAL LOCKING BOLT
18	6257B		1	ASSY INPUT PINION HSG
			1	INPUT SHAFT
			1	RETAINING RING #5100-62
			1	RETAINING RING #5100-43
			1	INPUT HOUSING
			1	NEEDLE BEARING
			1	THRUST BEARING NTA-101B
			2	THRUST RACE TRA-101B
			1	KEY, HI-PRO
			1	INPUT 17T PINION
			1	WASHER
			1	NEEDLE BEARING (WITH SEAL)
			1	GREASE FITTING
25	44136	714-D129	1	KEY, #4 HI-PRO 3/32 X 5/8 DIA
26	44122	100-0001	3	SCREW, HEX W/PATCH 1/4-20 X 3/4 LG

REF	HYDRO-GEAR PART NO	OEM PART NO	QTY	DESCRIPTION
29	44101	1544X13	1	PIN, COTTER
30	44142	712-0335	1	NUT, CASTLE 5/16-24
31	44130	736-0371	1	WASHER, FLAT 3/4 ID X .88 OD X .062 THK
32	44094	717-0700	1	ARM, BRAKE ACTUATOR
33	44127	741-0343	2	PIN, BRAKE ACTUATING
34	625B9		1	ASSY BRAKE YOKE
			1	SQUARE HEAD BOLT
			1	BRAKE YOKE
35	44090	717-0677	1	DISC, BRAKE
36	44143		1	KEY, HI-PRO 3/16 X 5/8 DIA
38	44134		1	PLATE, PUCK
39	44132	717-0682	2	PUCK, BRAKE
40	44276	717-3201	1	BOLT, HEX W/PATCH 1/4-20 X 1.50 LG
41	44123	100-0005	4	BOLT, HEX SELF-TAP 1/4-20 X 2.00LG
42	44124	100-0004	6	BOLT, HEX SELF-TAP 1/4-20 X 3.00LG
45	44083	170-0009	1	SHAFT, PINION W/11 TOOTH GEAR
46	44080	170-0006	1	SHAFT, DRIVE
47	62760		1	ASSY REDUCTION GEAR
			1	REDUCTION GEAR
			1	NEEDLE BEARING
			1	DOWEL PIN
			1	SEAL, 7/8 OD X 5/8 ID X 3/32
			1	THRUST WASHER
			1	WASHER, FLAT 62 ID X 1.0 OD X .05 THK
			1	WASHER, FLAT 62 ID X 1.0 OD X .03 THK
			1	WASHER, FLAT .62 ID X 1.0 OD X .05 THK
			4	COUPLING (HALF)
49	44371		1	GEAR, DRIVE PINION 17T
51	44084	170-0010	4	WASHER, 1/4" SPRING LOCK
53	43178		2	NUT, HEX 1/4-20
54	44079	170-0005	1	GEAR, DRIVE PINION 17T
57	43177		2	WASHER, 1/4" SPRING LOCK
58	44269		2	PIN, ROLL 3/16 DIA X 1/2 LG
59	44125		1	WASHER, FLAT .62 ID X 1.0 OD X .03 THK
71	44378		1	SEAL, GREASE
72	50416		2	GREASE (10 OZ TUBE)
73	BDU10S-215		1	TRANSMISSION
74	2003081		1	RESERVOIR
75	44820		4	BOLT, 5/16-18 X 4-1/2
76	430B3		2	HEX NUT, 5/16-18
80	50928		1	SEALANT

  
P.2 of 2 70069-SB