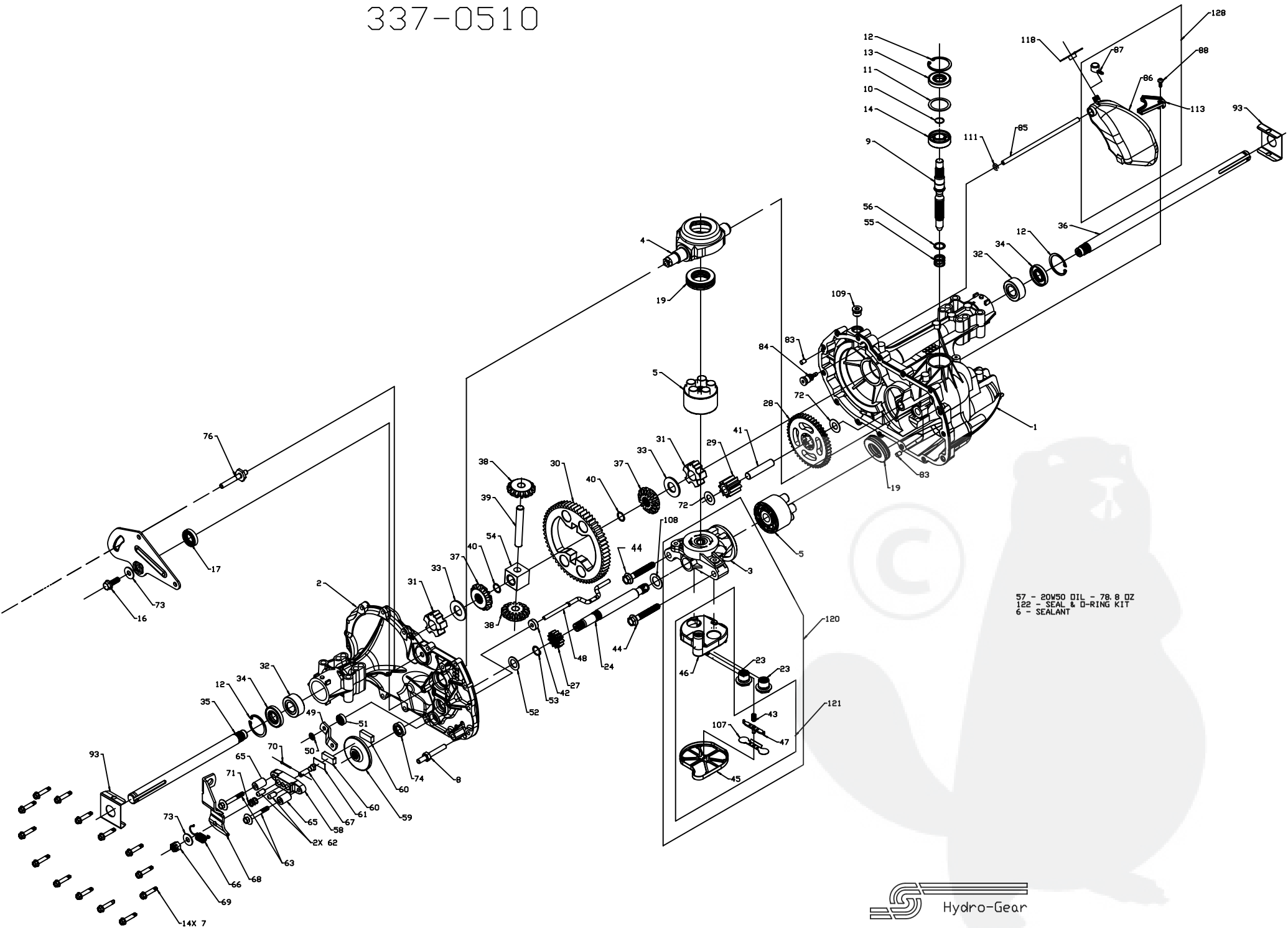
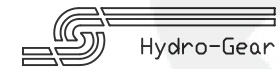


337-0510



57 - 20W50 OIL - 78.8 OZ
122 - SEAL & O-RING KIT
6 - SEALANT



ITEM	PART NUMBER	QTY	DESCRIPTION
1	70467	1	MAIN HOUSING, ASSEMBLY
		1	MAIN HOUSING, MACHINED
		1	BUSHING, .865 X .985 X .790
2	70483	1	SIDE HOUSING, ASSEMBLY
		1	SIDE HOUSING, MACHINED
		1	BUSHING, .865 X .985 X .790
		1	BUSHING, .624 X .719 X .562
3	70477	1	CENTER SECTION, ASSEMBLY
		1	CENTER SECTION, MACHINED
		1	BUSHING, 0.707 X .788 X .591
4	51048	1	SWASHPLATE, TRUNNION
5	70331	2	BLOCK-ASSEMBLY
		1	BLOCK-CYLINDER
		5	PISTON
		5	SPRING, COMPRESSION
		5	WASHER - THRUST
6	51186	.0065	SEALANT
7	51190	14	SCREW, HEX WASHER 1/4-20 X 1.25
8	51061	1	STUD 5/16-18 THD, 5/16-18 STRAP
9	51062	1	SHAFT, INPUT
10	2000022	1	RING, RETAINING
11	50951	1	SPACER
12	50329	3	RING, RETAINING
13	51161	1	SEAL, LIP 17 X 40 X 7
14	50315	1	BALL BEARING 17MM ID X 40MM OD X 12MM
16	51064	1	BOLT, HEX FLANGE HEAD 5/16-24 X .94 (PATCH)
17	51140	1	SEAL, LIP 18 X 32 X 7
18	51204	1	ARM, CONTROL
19	50551	2	BEARING, THRUST 30 X 52 X 13
23	51207	1	CHECK PLUG ASSEMBLY, WASHER
24	50966	1	SHAFT, MOTOR
26	51086	1	BUSHING, .707 X .788 X .591
27	51130	1	GEAR, PINNION 13T
28	51129	1	GEAR, 10T/48T
29	51043	1	GEAR, 10T JACKSHAFT
30	51044	1	GEAR, 60T BULL
31	51088	2	BEARING, SLEEVE (INBOARD)
32	51089	2	BUSHING, SLEEVE .752 X 1.571 X .625
33	44875	2	WASHER, 3/4 ID X 1-1/2 OD X .13 THK
34	51066	2	SEAL, LIP .750 X 1.577 X .250
35	51068	1	SHAFT, AXLE .75 X 11.39 (KEY, RH)
36	51067	1	SHAFT, AXLE .75 X 16.99 (KEY, LH)
37	44096	2	GEAR, MITER (SPLINED)
38	44097	2	GEAR, MITER (0.5 ID)
39	50146	1	SHAFT
40	44871	2	RING, SPIRAL RETAINING
41	51083	1	PIN, JACKSHAFT
42	51100	1	MAGNET, RING
43	51136	1	SPRING, BYPASS
44	50016	2	BOLT, HEX FLANGE 3/8-24 X 2.5
45	51581	1	BOTTOM, FILTER
46	51580	1	BASE, FILTER
47	51091	1	BYPASS ACTUATOR
48	51098	1	ROD, BYPASS ACTUATOR
49	51256	1	ARM, BYPASS
50	51116	1	RING, RETAINING .250 EXTERNAL
51	51081	1	SEAL, LIP .250 X .750 X .250 TC
52	44371	1	WASHER, FLAT 5/8 ID X 1.0 OD X .05 THK
53	44145	1	RING, RETAINING
54	51071	1	BEARING, CENTER BLOCK
55	2003014	1	SPRING, HELICAL COMPRESSION

ITEM	PART NUMBER	QTY	DESCRIPTION
56	2003017	1	WASHER
57	50006	.616	OIL, 20W50
58	44092	1	YOKER, BRAKE
59	51072	1	ROTOR, BRAKE
60	44132	2	PUCK, BRAKE
61	44134	1	PUCK, PLATE
62	44127	2	PIN, BRAKE ACTUATING
63	51146	2	HFCS 1/4-20 X 2 W/PATCH, SPECIAL FLANGE
65	23711	2	SPACER
66	50884	1	SPRING, BRAKE ARM BIAS
67	44138	1	BOLT, SQ. HD. 5/16-24 RIBBED
68	51253	1	ARM, BRAKE
69	44142	1	NUT, SLOTTED HEX 5/16-24
70	44101	1	PIN, COTTER 3/32 X 3/4
71	50919	1	SPRING, COMPRESSION BRAKE ANTI-DRAG
72	50132	2	WASHER, HT .5 I.D. X 1 O.D. X .032
73	44130	3	WASHER, FLAT 11/32 I.D. X 7/8 O.D.
74	44761	1	SEAL, LIP .625 X 1.0 X .25
76	50254	1	STUD, 5/16-24 FRICTION PACK
83	9004800-2506	2	PIN, STANDARD HEADLESS
84	51143	1	FITTING, 5/16 SAE 5/32 TUBE
85	51147	1	HOSE, EXPANSION TANK
86	51117	1	TANK, EXPANSION ASSEMBLY
87	51251	1	CAP, VENT
88	50653	1	BOLT, SELF TAPPING 10-32 X 1/2
93	51118	2	SPRING CLIP, HOUSING THRUST
107	51134	1	DEFLECTOR
108	51069	1	WASHER, MOTOR SHAFT .71 ID X 1.16 OD X .04 THK
109	9005110-5600	1	PLUG, SAE #6
111	51144	1	O-RING .103 X .299 ID
113	51179	1	BRACKET, SUPPORT EXPANSION TANK
118	51252	1	CAP, EXPANSION TANK SHIPPING
120	70757	1	CENTER SECTION-FILTER-BYPASS ASSEMBLY
		1	CENTER SECTION MACHINING
		1	BASE FILTER W/POPPET
		2	CHECK PLUG ASSEMBLY
		1	SPRING, BYPASS
		1	ACTUATOR, BYPASS
		1	DEFLECTOR
		1	BOTTOM, FILTER
		1	BUSHING, .707 X .788 X .591
121	70756	1	FILTER ASSEMBLY
		1	BOTTOM, FILTER
		1	BASE, FILTER W/ POPPET
		1	SPRING, BYPASS
		1	ACTUATOR, BYPASS
		1	DEFLECTOR
122	70463	1	SEAL O-RING KIT
128	70503	1	KIT, EXPANSION TANK
		1	TANK, EXPANSION
		1	CAP, VENT
		1	BOLT, SELF TAPPING 10-32 X 1/2
		1	BRACKET, SUPPORT EXPANSION TANK
		1	SILICON SPONGE 1/2 X 1/2 X 3/16