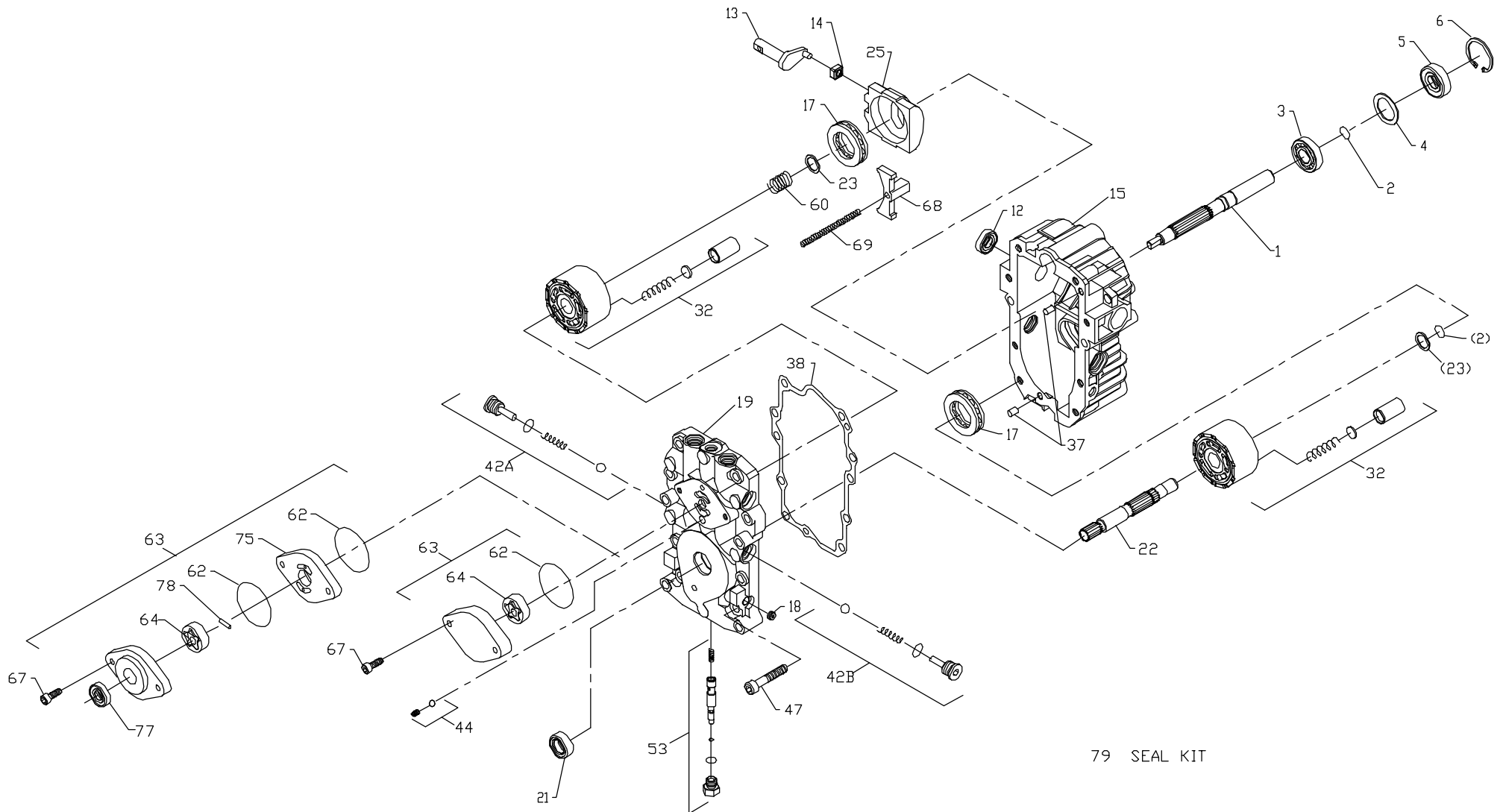
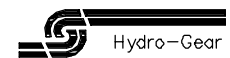


BDU-10L



79 SEAL KIT



BDU-10L

MODEL NUMBER	PUMP SHAFT (ITEM #1)	MOTOR SHAFT (ITEM #22)	HOUSING (KIT #15)	CENTER SECTION (KIT #19)	BYPASS VALVE (KIT #53)	CHECK VALVE (LH) (KIT #42B)	CHECK VALVE (RH) (KIT #42A)	CHARGE PUMP (KIT #63)	TRUN-NION ARM	INA	INPUT ROTATION	MODEL NUMBER
BDU-10L-110	2003020	2003032	2513020	2513006	2513011	2510008	2510008	2513027	LH	NO	CCW	BDU-10L-110
BDU-10L-111	2003020	2003032	2513020	2513006	2513011	2510008	2510008	2513027	LH	NO	CW	BDU-10L-111
BDU-10L-112	2003020	2003034	2513020	2513006	2513011	2510008	2510008	2513027	LH	NO	CCW	BDU-10L-112
BDU-10L-113	2003020	2003032	2513023	2513006	2513025	2510008	2510008	2513027	LH	YES	CCW	BDU-10L-113
BDU-10L-114	2003020	2003032	2513020	2513006	2513011	2510008	2510008	2513027	LH	NO	CCW	BDU-10L-114
BDU-10L-115	2003020	2003032	2513020	2513006	2513025	2510008	2510008	2513027	LH	NO	CW	BDU-10L-115
BDU-10L-117	2003020	2003032	2513020	2513006	2513011	2510027	2510027	2513027	LH	NO	CCW	BDU-10L-117
BDU-10L-118	50158	2003034	2513035	2513006	2513011	2510027	2510027	2513027	LH	NO	CCW	BDU-10L-118
BDU-10L-119	2003020	2003032	2513020	2513006	2513011	2510027	2510027	2513027	LH	NO	CW	BDU-10L-119
BDU-10L-120	2003020	2003032	2513023	2513006	2513011	2510008	2510027	2513027	LH	YES	CCW	BDU-10L-120
BDU-10L-121	2003020	2003032	2513020	2513006	2513011	2510034	2510050	2513027	LH	NO	CCW	BDU-10L-121
BDU-10L-122	50158	2003034	2513035	2513040	2513011	2510050	2510027	2513027	LH	NO	CCW	BDU-10L-122
BDU-10L-123	2003020	2003032	2513020	2513006	2513011	2510027	2510034	2513027	LH	NO	CW	BDU-10L-123
BDU-10L-124	2003020	2003032	2513020	2513006	2513011	2510008	2510027	2513027	LH	NO	CW	BDU-10L-124
BDU-10L-210	2003020	2003032	2513003	2513006	2513011	2510008	2510008	2513027	RH	NO	CCW	BDU-10L-210
BDU-10L-211	2003020	2003032	2513003	2513006	2513011	2510008	2510008	2513027	RH	NO	CW	BDU-10L-211
BDU-10L-212	2003020	2003032	2513003	2513006	2513025	2510008	2510008	2513027	RH	NO	CW	BDU-10L-212
BDU-10L-213	2003020	2003032	2513022	2513006	2513011	2510008	2510008	2513027	RH	YES	CW	BDU-10L-213
BDU-10L-214	2003020	2003032	2513003	2513006	2513025	2510008	2510008	2513027	RH	NO	CCW	BDU-10L-214
BDU-10L-216	2003020	2003032	2513003	2513006	2513011	2510027	2510027	2513027	RH	NO	CCW	BDU-10L-216
BDU-10L-217	2003020	2003032	2513021	2513006	2513011	2510008	2510062	2513027	RH	YES	CW	BDU-10L-217
BDU-10L-218	2003020	2003032	2513003	2513006	2513011	2510027	2510027	2513027	RH	NO	CW	BDU-10L-218
BDU-10L-220	2003020	2003032	2513022	2513006	2513011	2510008	2510008	2513027	RH	YES	CW	BDU-10L-220
BDU-10L-221	50185	2003034	2513036	2513037	NONE	2510034	2510050	2513027	RH	YES	CCW	BDU-10L-221
BDU-10L-222	2003020	2003032	2513003	2513006	2513011	2510027	2510008	2513027	RH	NO	CCW	BDU-10L-222
BDU-10L-223	2003020	2003032	2513003	2513006	2513011	2510050	2510034	2513027	RH	NO	CW	BDU-10L-223
BDU-10L-224	2003020	2003032	2513003	2513006	2513011	2510034	2510027	2513027	RH	NO	CW	BDU-10L-224
BDU-10L-225	50158	2003034	2513036	70444	2513011	2510034	2510050	2513027	RH	YES	CCW	BDU-10L-225
BDU-10L-228	50158	2003034	2513036	2513037	NONE	2510034	2510050	2513027	RH	YES	CCW	BDU-10L-228
BDU-10L-256	50087	2003034	2513003	2513026	2513011	2510027	2510008	2513028	RH	NO	CW	BDU-10L-256
BDU-10L-257	50087	2003034	2513003	2513026	2513011	2510027	2510027	2513028	RH	NO	CW	BDU-10L-257
BDU-10L-258	50087	2003034	2513003	2513039	2513011	2510027	2510008	2513028	RH	NO	CW	BDU-10L-258
BDU-10L-259	50087	2003034	2513003	2513039	2513011	2510027	2510027	2513028	RH	NO	CW	BDU-10L-259

△

△

△

△- NO MOTOR SHAFT SEAL REQ'D.

△- HOUSING TO HAVE 51556 CRADLE BEARING



BDU-10L

ITEM #	HYDRO-GEAR PART #	DESCRIPTION
1	2003020	SHAFT - PUMP (BLD KEY, CHG)-A
	50087	SHAFT - PUMP (16T SPL, 15T P)-D
	50158	SHAFT - PUMP (16T SPL, CHG)-F
	50185	SHAFT - PUMP (TAPR KEY, CHG)-E
2	2003016	WIRE RETAINING RING
3	2003043	BALL BEARING
4	2003018	SPACER
5	9008000-0128	SEAL - LIP 15 x 35 x 7
6	2003052	RETAINING RING
12	9008000-0126	SEAL - LIP 12 x 25 x 7
13	2003005	TRUNNION ARM
14	2000015	SLOT GUIDE
15	2513003	HOUSING KIT (T-RH; D-R,T) (INCLUDES ITEM #8)
	2513020	HOUSING KIT (T-LH; D-L,T) "
	2513021	HOUSING KIT (T-RH; D-L,T; INA) "
	2513022	HOUSING KIT (T-RH; D-R,T; INA) "
	2513023	HOUSING KIT (T-LH; D-L,T; INA) "
	2513035	HOUSING KIT (T-LH; D-R,T) "
	2513036	HOUSING KIT (T-RH; D-T; INA) "
17	50551	BALL BEARING - THRUST
18	9005001-0600	PLUG, PIPE
19	2513006	CENTER SECTION (7/16 INLET)
	2513026	CENTER SECTION (9/16 INLET, 256 CHG)
	2513037	CENTER SECTION (9/16 INLET)
	2513039	CENTER SECTION (9/16 INLET, 256 CHG)
	2513040	CENTER SECTION (9/16 INLET)
	70444	CENTER SECTION KIT (9/16 INLET)
21	9008000-0127	SEAL - LIP 15 x 24 x 7
22	2003032	SHAFT - MOTOR -A (16T SPLINE W/SNAP RING GROOVE)
	2003033	SHAFT - MOTOR -C (SERRATION)
	2003034	SHAFT - MOTOR -B (16T SPLINE)
23	2003017	BLOCK THRUST WASHER
25	2003087	SWASHPLATE

ITEM #	HYDRO-GEAR PART #	DESCRIPTION
32	70331	CYLINDER BLOCK KIT
37	9004800-2506	PIN - STRAIGHT HEADLESS
38	2003060	HOUSING GASKET
42	2510008	CHECK VALVE KIT (3/8" BALL)
	2510062	CHECK VALVE KIT (0.024" ORIFICE)
	2510027	CHECK VALVE KIT (0.031" ORIFICE)
	2510034	CHECK VALVE KIT (0.044" ORIFICE)
	2510050	CHECK VALVE KIT (BLANK)
44	2510064	CHARGE RELIEF VALVE KIT (1/4" STEEL BALL)
47	9007314-0810	SOCKET HEAD SCREW
53	2513011	BYPASS VALVE KIT (STD)
	2513025	BYPASS VALVE KIT (W/ANNULUS)
62	9004101-1340	O-RING
63	2513027	CHARGE PUMP KIT (STD)
	2513028	CHARGE PUMP KIT (STD)
64	50273	GEROTOR ASSEMBLY (0.11 cu.in./rev)(D-DRIVE)
	50326	GEROTOR ASSY. (0.15 cu.in./rev)(PIN DRIVE)
67	50095	SOCKET HEAD CAP SCREW
68	2003091	LEVELER
69	2003092	SPRING - HELICAL COMPRESSION
75	50262	PLATE - SPACER
77	50442	SEAL - LIP .5 x .88 x .25
78	50091	PIN - HEADLESS
79	2513013	SEAL KIT