

T2 SERVICE SCHEMATIC

MODEL NUMBER: T 2 - 3 4 5 6 - 7 8 * * - 11 12 13 14
 CHARACTER #: 1 2 - 3 4 5 6 - 7 8 9 10 - 11 12 13 14

CONTROL TYPE

Char 9	ITEM	COMPONENT	DESCRIPTION	QTY
1	43	52304	SCREW, SET 5/16-24 X 2.50	1
	44	52643	WASHER, BELLEVILLE	1
	45	52298	WASHER, PLASTIC, .32X.80X.21	2
	46	44130	WASHER .34X.88X.06	2
	47	50278	SPACER .32X.59X.50	1
	48	50277	SPRING, HELICAL COMP	1
	49	50317	NUT, HEX 5/16-24 NYLON INSERT	1
2	162	51064	BOLT, HEX FLANGE HEAD	1
	163	44130	WASHER .34X.88X.06	1
	166	52481	BUSHING	1
	167	52401	SPRING, EXTENSION	1
	206	71677	KIT, T2 ROS	1
	207	71712	KIT, T2 ROS	1
Char 9	ITEM	COMPONENT	DESCRIPTION	QTY
3	162	51064	BOLT, HEX FLANGE HEAD	1
	163	44130	WASHER .34X.88X.06	1
	164	52611	ASSEMBLY, RTN BI-DIRECTIONAL	1
	165	52618	ARM, NEUTRAL ASSEMBLY	1
	166	52481	BUSHING	1
	167	52401	SPRING, EXTENSION	1

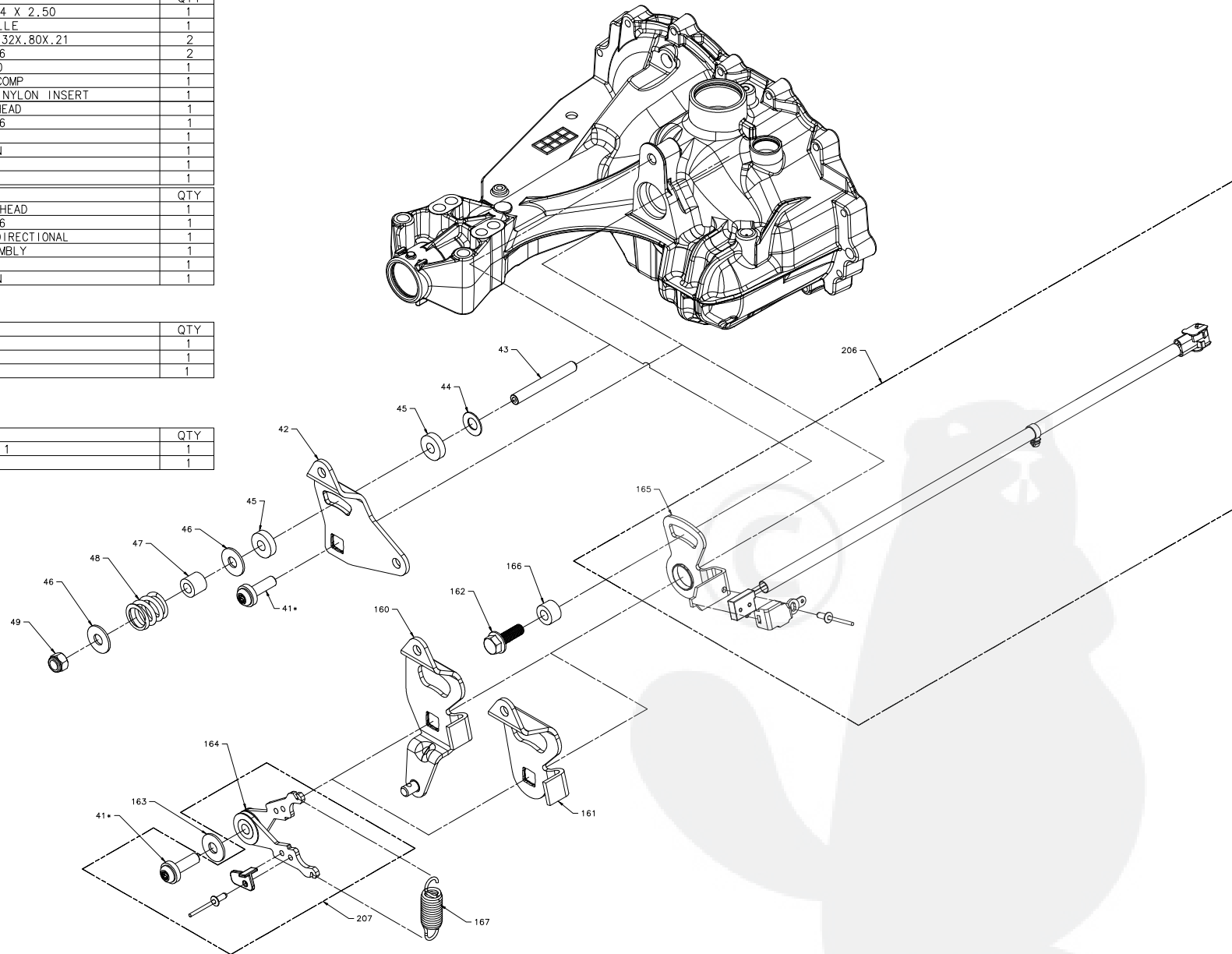
CONTROL ARM

Char10	ITEM	COMPONENT	DESCRIPTION	QTY
A	42	52652	ARM, CNTRL	1
B	160	52823	ARM, CNTRL, RTN	1
C	161	52478	ARM, CNTRL, RTN	1

COMMON PARTS

ITEM	COMPONENT	DESCRIPTION	QTY
41	51812	SCREW, 5/16-18 X 1	1
205	71554	KIT, SEAL	1

* - PARTS INCLUDED IN 205 SEAL KIT



T2 SERVICE SCHEMATIC

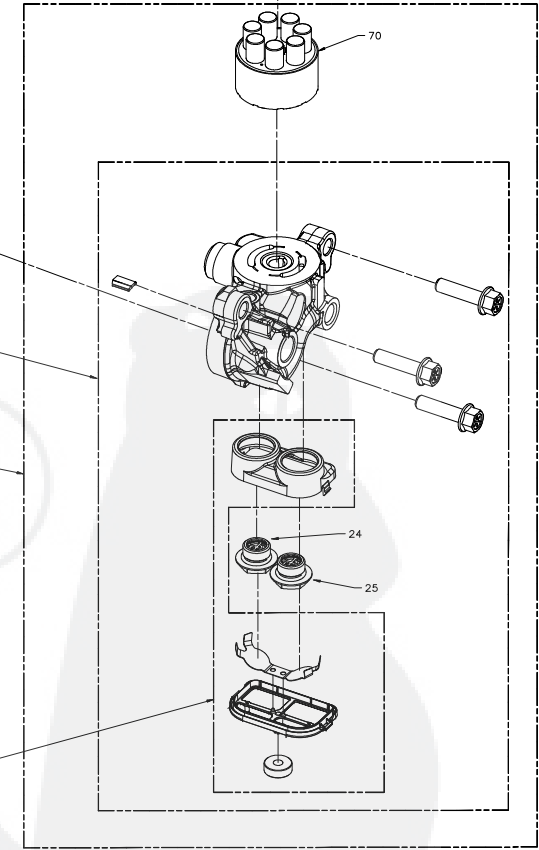
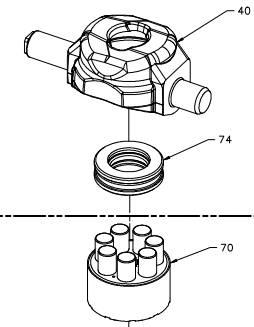
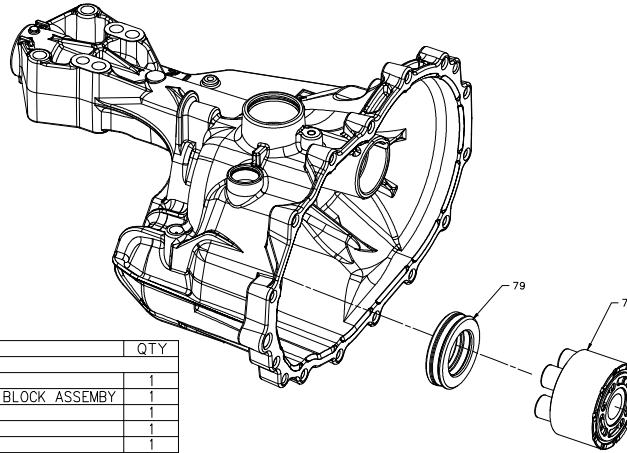
MODEL NUMBER: T 2 - * * - - -
 CHARACTER #: 1 2 - 3 4 5 6 - 7 8 9 10 - 11 12 13 14

COMMON PARTS

ITEM	COMPONENT	DESCRIPTION	QTY
22	52137	BOLT, HEX FLANGE, 3/8-16, C/S	3
23	52502	PLATE, BYPASS	1
70		SEE CENTER SECTION MATRIX BELOW	
75	70331	ASSEMBLY, PISTON BLOCK, 5P10CC	1
40	52450	TRUNNION, SWASH PLATE	1
74	52465	BRG, THRUST BALL 27X47X14	1
79	50551	BRG, THRUST BALL 30X52X13	1

CHECK VALVES

Char 5	ITEM	COMPONENT	DESCRIPTION	QTY
B	24	51084	ASSEMBLY, CHECK PLUG W/ WASHER, .027	1
	25	51084	ASSEMBLY, CHECK PLUG W/ WASHER, .027, SPRING	1
C	24	51485	ASSEMBLY, CHECK PLUG W/ WASHER, .027, SPRING	1
	25	51485	ASSEMBLY, CHECK PLUG W/ WASHER, .027, SPRING	1
D	24	52006	ASSEMBLY, CHECK PLUG W/ WASHER, .044	1
	25	52006	ASSEMBLY, CHECK PLUG W/ WASHER, .044	1
E	24	51084	ASSEMBLY, CHECK PLUG W/ WASHER, .027	1
	25	52006	ASSEMBLY, CHECK PLUG W/ WASHER, .044	1
F	24	52006	ASSEMBLY, CHECK PLUG W/ WASHER, .044	1
	25	51084	ASSEMBLY, CHECK PLUG W/ WASHER, .027	1



CENTER SECTION

IF CHAR 5	AND CHAR 6	THEN ITEM	COMPONENT	DESCRIPTION	QTY
	C	70		MUST ORDER 71550	
B	(5 PISTON PUMP)	200	71553	KIT, FILTER	1
		202	71550	CENTER SECTION WITH FILTER AND 7P8CC PISTON BLOCK ASSEMBY	1
	(7 PISTON PUMP)	70	72228	KIT, BLOCK, 7 PISTON, 8cc	1
		200	71553	KIT, FILTER	1
C	(5 PISTON PUMP)	200	71553	KIT, FILTER	1
		202	71886	CENTER SECTION WITH FILTER AND 7P8CC PISTON BLOCK ASSEMBY	1
	(7 PISTON PUMP)	70	72228	KIT, BLOCK, 7 PISTON, 8cc	1
		200	71553	KIT, FILTER	1
D	(5 PISTON PUMP)	200	71553	KIT, FILTER	1
		202	72060	CENTER SECTION WITH FILTER AND 7P8CC PISTON BLOCK ASSEMBY	1
	(7 PISTON PUMP)	70	72228	KIT, BLOCK, 7 PISTON, 8cc	1
		200	71553	KIT, FILTER	1
E	(5 PISTON PUMP)	200	71553	KIT, FILTER	1
		202	72061	CENTER SECTION WITH FILTER AND 7P8CC PISTON BLOCK ASSEMBY	1
	(7 PISTON PUMP)	70	72228	KIT, BLOCK, 7 PISTON, 8cc	1
		200	71553	KIT, FILTER	1
F	(5 PISTON PUMP)	200	71553	KIT, FILTER	1
		202	72062	CENTER SECTION WITH FILTER AND 7P8CC PISTON BLOCK ASSEMBY	1
	(7 PISTON PUMP)	70	72228	KIT, BLOCK, 7 PISTON, 8cc	1
		200	71553	KIT, FILTER	1
B	(5 PISTON PUMP)	200	71553	KIT, FILTER	1
		202	71966	CENTER SECTION WITH FILTER AND 7P8CC PISTON BLOCK ASSEMBY	1
	(7 PISTON PUMP)	70	72228	KIT, BLOCK, 7 PISTON, 8cc	1
		200	71553	KIT, FILTER	1
C	(5 PISTON PUMP)	200	71553	KIT, FILTER	1
		202	71967	CENTER SECTION WITH FILTER AND 7P8CC PISTON BLOCK ASSEMBY	1
	(7 PISTON PUMP)	70	72228	KIT, BLOCK, 7 PISTON, 8cc	1
		200	71553	KIT, FILTER	1
D	(5 PISTON PUMP)	200	71553	KIT, FILTER	1
		202	72063	CENTER SECTION WITH FILTER AND 7P8CC PISTON BLOCK ASSEMBY	1
	(7 PISTON PUMP)	70	72228	KIT, BLOCK, 7 PISTON, 8cc	1
		200	71553	KIT, FILTER	1
E	(5 PISTON PUMP)	200	71553	KIT, FILTER	1
		202	72064	CENTER SECTION WITH FILTER AND 7P8CC PISTON BLOCK ASSEMBY	1
	(7 PISTON PUMP)	70	72228	KIT, BLOCK, 7 PISTON, 8cc	1
		200	71553	KIT, FILTER	1
F	(5 PISTON PUMP)	200	71553	KIT, FILTER	1
		202	72065	CENTER SECTION WITH FILTER AND 7P8CC PISTON BLOCK ASSEMBY	1
	(7 PISTON PUMP)	70	72228	KIT, BLOCK, 7 PISTON, 8cc	1
		200	71553	KIT, FILTER	1



T2 SERVICE SCHEMATIC

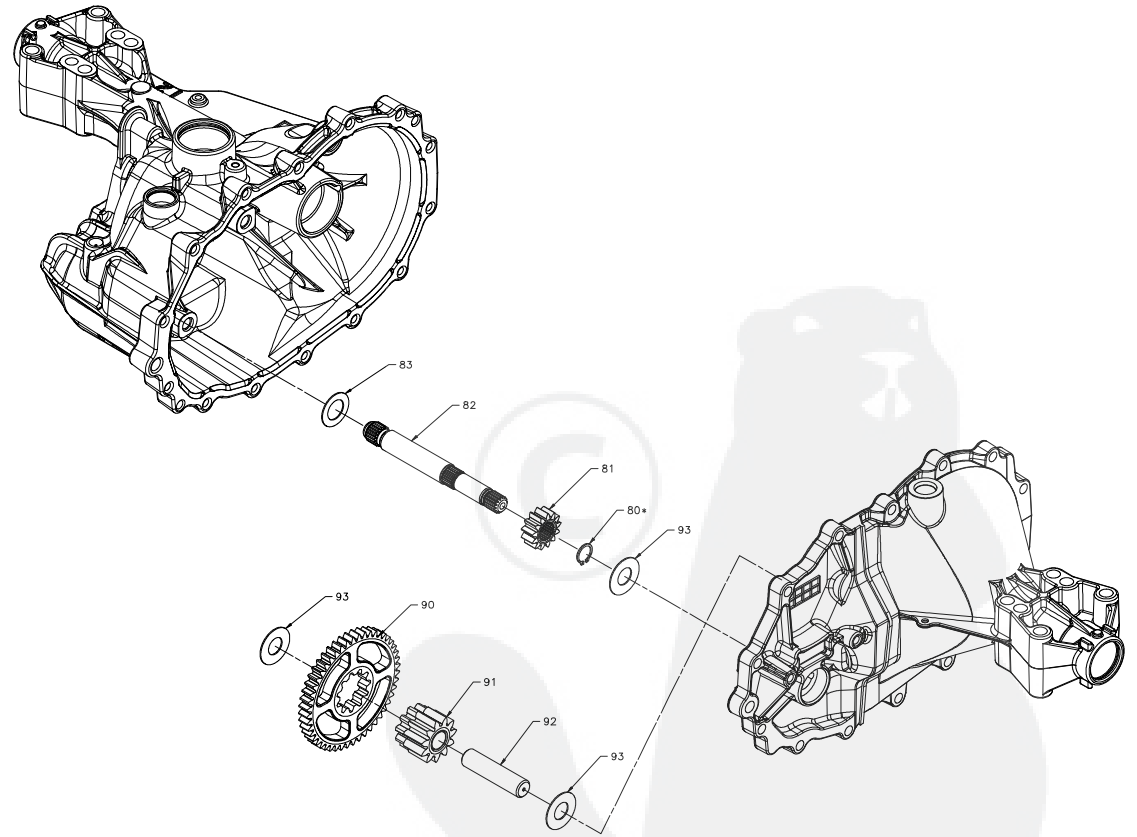
MODEL NUMBER: T 2 - * - - -
 CHARACTER #: 1 2 - 3 4 5 6 - 7 8 9 10 - 11 12 13 14

GEAR RATIO					
Char	3	ITEM	COMPONENT	DESCRIPTION	QTY
A		081	52466	GEAR, 13T PINION	1
		090	52469	GEAR, 11T/48T	1
		091	52470	GEAR, JACKSHAFT 11T	1
B		081	52484	GEAR, 14T PINION	1
		090	52483	GEAR, 11T/47T	1
		091	52470	GEAR, JACKSHAFT 11T	1
C		081	52466	GEAR, 13T PINION	1
		090	53372	GEAR, 10T/48T	1
		091	53371	GEAR, JACKSHAFT 10T	1

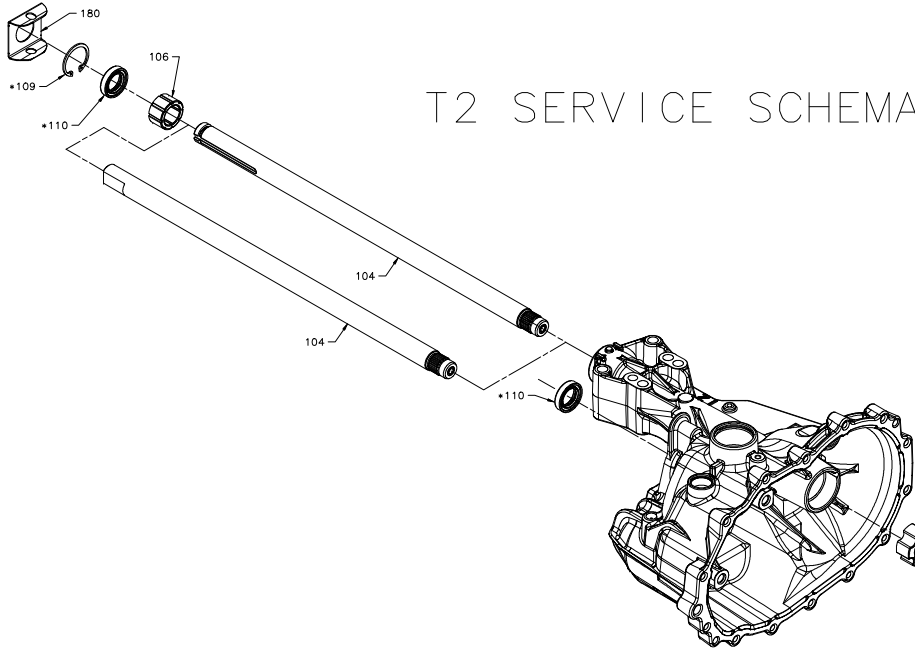
COMMON PARTS

ITEM	COMPONENT	DESCRIPTION	QTY
080	44354	RING, RET .50 EXT	1
082	52467	SHAFT, MOTOR	1
083	52468	WASHER .60X1.00X.03	1
092	52471	JACK SHAFT (PIN)	1
093	50132	WASHER .5X1.0X.03	3
205	71554	KIT, SEAL	1

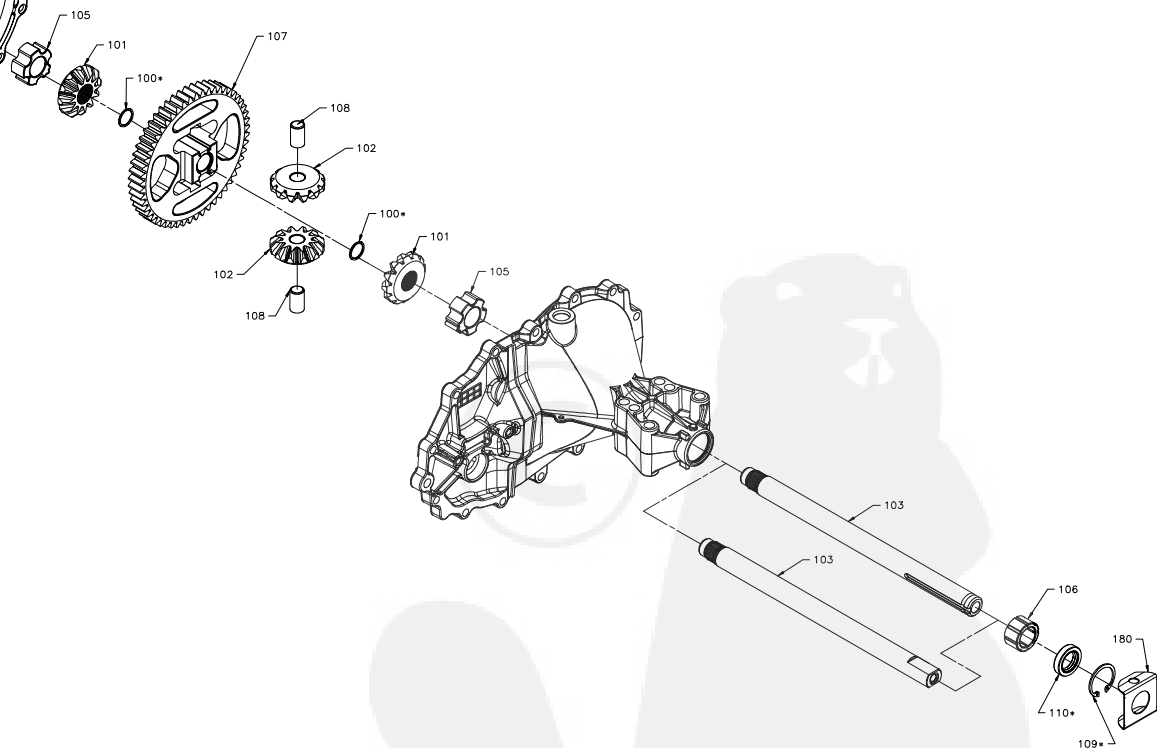
* - PARTS INCLUDED IN 205 SEAL KIT



T2 SERVICE SCHEMATIC



MODEL NUMBER: T 2 - 3 * - 7 8 9 10 - 11 12 13 14
 CHARACTER #: 1 2 - 3 4 5 6 - 7 8 9 10 - 11 12 13 14



GEAR RATIO

Char	3	ITEM	COMPONENT	DESCRIPTION	QTY
A		107	52472	GEAR, 53T BULL	1
B		107	52472	GEAR, 53T BULL	1
C		107	53370	GEAR, 54T BULL	1

SHAFT TYPE AND LENGTH

Char	4	ITEM	COMPONENT	DESCRIPTION	QTY
A		103	51068	SHAFT, AXLE, KEYED, 11.39 X .75	1
		104	51067	SHAFT, AXLE, KEYED, 16.99 X .75	1
		180	53319	SPRING CLIP - HOUSING THRUST	2
B		103	51079	SHAFT, AXLE, DOUBLE "D", 11.39 X .75	1
		104	51078	SHAFT, AXLE, DOUBLE "D", 16.99 X .75	1
C		103	51354	SHAFT, AXLE, KEYED, 12.14 X .75	1
		104	51353	SHAFT, AXLE, KEYED, 17.74 X .75	1
		180	53319	SPRING CLIP - HOUSING THRUST	2
D		103	53507	SHAFT, AXLE, KEYED, 11.39 X .75	1
		104	53506	SHAFT, AXLE, KEYED, 16.99 X .75	1
		180	53319	SPRING CLIP - HOUSING THRUST	2
E		103	51354	SHAFT, AXLE, KEYED, 12.14 X .75	1
		104	51067	SHAFT, AXLE, KEYED, 16.99 X .75	1
		180	53319	SPRING CLIP - HOUSING THRUST	2

COMMON PARTS

ITEM	COMPONENT	DESCRIPTION	QTY
100	44871	RING, RET - SPIRAL .625 EXT	2
101	51769	GEAR, BEVEL 12T SPLINE ID	2
102	51768	GEAR, BEVEL 12T .50ID	2
105	52280	BUSHING, INBOARD	2
106	52278	BUSHING, OUTBOARD	2
108	52279	PIN, DIFFERENTIAL	2
109	52275	RING, RET, INT AXLE	2
110	53901	SEAL, LIP .75 X 1.125 X .25	3
205	71554	KIT, SEAL	1

* - PARTS INCLUDED IN 205 SEAL KIT

T2 SERVICE SCHEMATIC

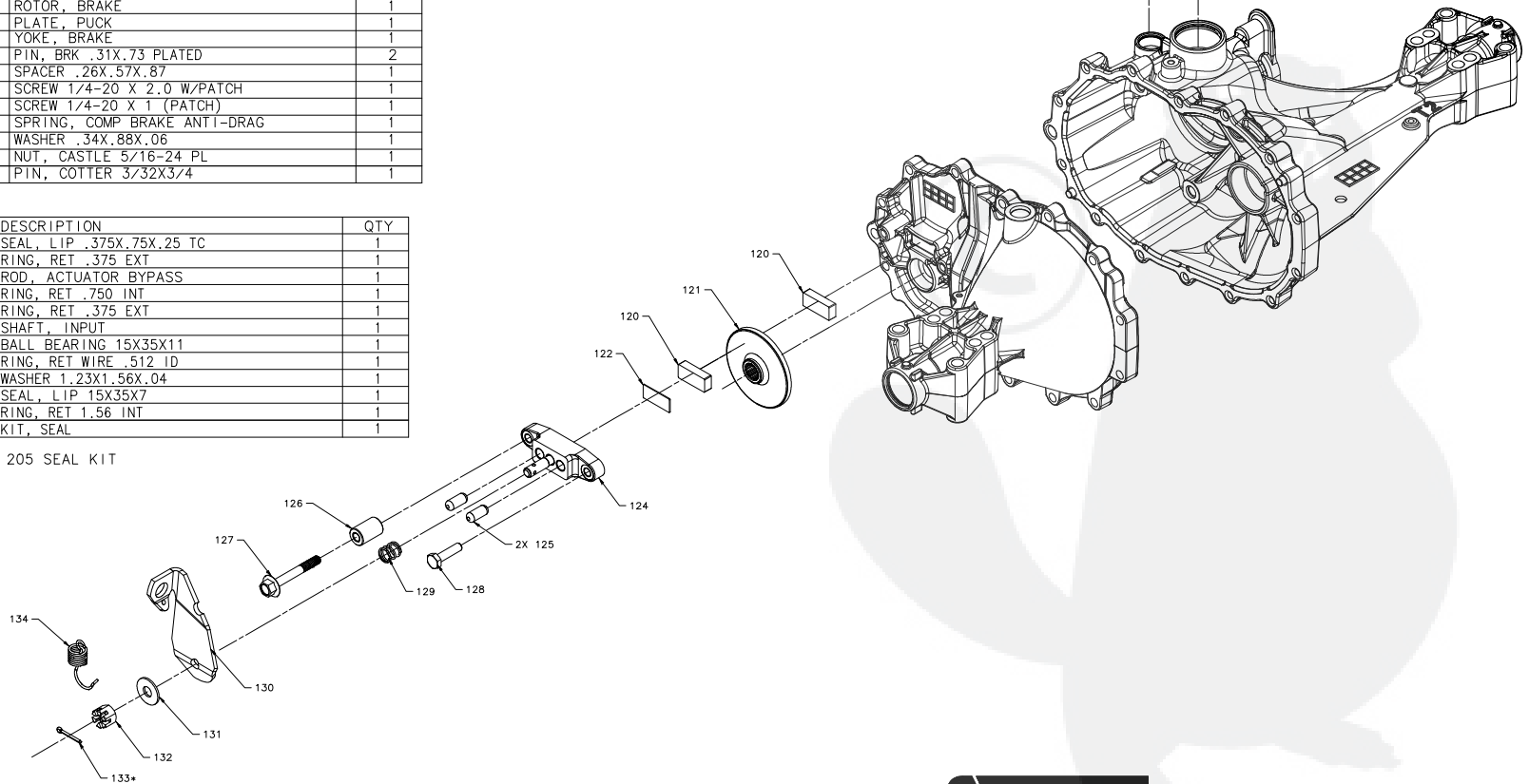
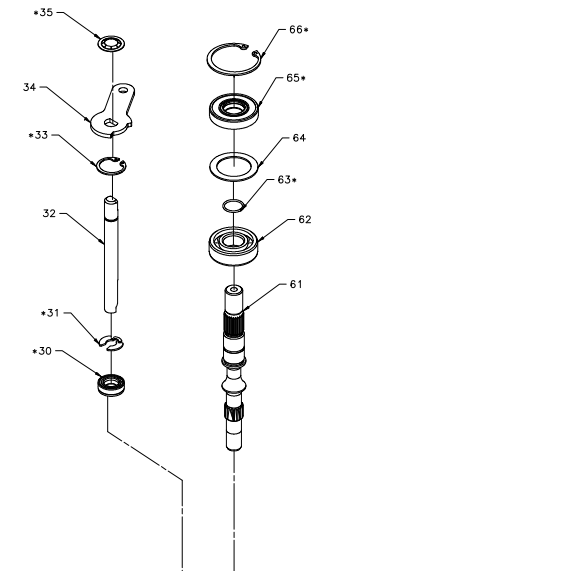
MODEL NUMBER: T 2 - 3 4 5 6 - * 7 8 9 10 - * 11 12 13 14
 CHARACTER #: 1 2 - 3 4 5 6 - 7 8 9 10 - 11 12 13 14

BYPASS ARM			
Char	Item	Component	Description
11	34	52460	ARM, BYPASS
			QTY
1			1

BRAKE ARM			
Char	Item	Component	Description
X		NONE	
1	130	23710	ARM, BRAKE
	134	51529	SPRING, BRAKE ARM BIAS
2	130	52374	ARM, BRAKE
	134	51529	SPRING, BRAKE ARM BIAS
3	130	44094	ARM, BRAKE
	134	50884	SPRING, BRAKE ARM BIAS
4	130	51142	ARM, BRAKE
	134	51607	SPRING, BRAKE ARM BIAS
5	130	53654	ARM, BRAKE
	134	50884	SPRING, BRAKE ARM BIAS
AND			
	120	44132	PUCK, BRAKE
	121	52473	ROTOR, BRAKE
	122	44134	PLATE, PUCK
	124	62589	YOKE, BRAKE
1,2,3,4,5	125	44127	PIN, BRK .31X.73 PLATED
	126	23711	SPACER .26X.57X.87
	127	51146	SCREW 1/4-20 X 2.0 W/PATCH
	128	44433	SCREW 1/4-20 X 1 (PATCH)
	129	50919	SPRING, COMP BRAKE ANTI-DRAG
	131	44130	WASHER .34X.88X.06
	132	44142	NUT, CASTLE 5/16-24 PL
	133	44101	PIN, COTTER 3/32X3/4

COMMON PARTS			
Item	Component	Description	Qty
30	51626	SEAL, LIP .375X.75X.25 TC	1
31	51628	RING, RET .375 EXT	1
32	52459	ROD, ACTUATOR BYPASS	1
33	51627	RING, RET .750 INT	1
35	51630	RING, RET .375 EXT	1
61	52462	SHAFT, INPUT	1
62	2003043	BALL BEARING 15X35X11	1
63	2003016	RING, RET WIRE .512 ID	1
64	2003018	WASHER 1.23X1.56X.04	1
65	9008000-0128	SEAL, LIP 15X35X7	1
66	2003052	RING, RET 1.56 INT	1
205	71554	KIT, SEAL	1

* - PARTS INCLUDED IN 205 SEAL KIT



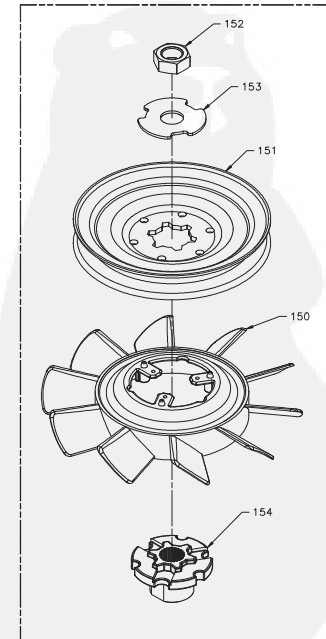
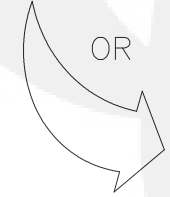
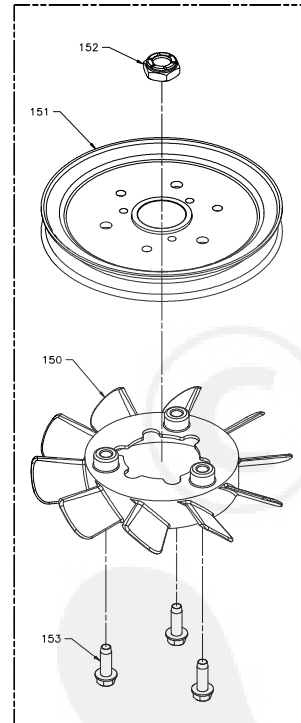
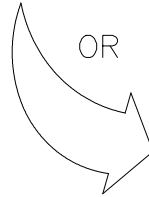
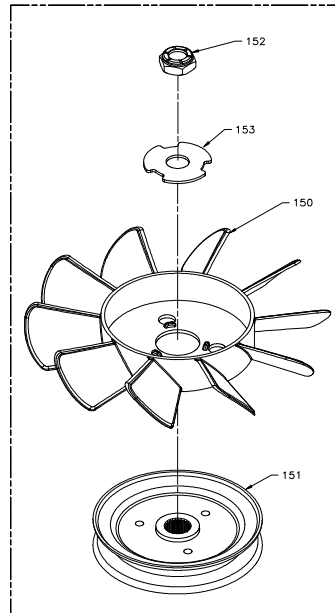
T2 SERVICE SCHEMATIC

FAN & PULLEY KIT

Char12	ITEM	COMPONENT	DESCRIPTION	QTY
X		None		
A	150	51230	FAN, 7", 10 BLADE	1
	151	51231	PULLEY ASSEMBLY, 3.86"	1
	152	51244	NUT, HEX LOCK, 1/2-20 (NYLON INSERT)	1
	153	51523	WASHER, OD SLOTTED .53 X 1.63 X .06	1
B	150	51365	FAN, 6", 10 BLADE	1
	151	51173	PULLEY ASSEMBLY, 5.5"	1
	152	51244	NUT, HEX LOCK, 1/2-20 (NYLON INSERT)	1
	153	50752	SCREW, 1/4-20 X 0.75	3
C	150	51365	FAN, 6", 10 BLADE	1
	151	51721	PULLEY ASSEMBLY, 4.4"	1
	152	51244	NUT, HEX LOCK, 1/2-20 (NYLON INSERT)	1
	153	50752	SCREW, 1/4-20 X 0.75	3
E	150	53352	FAN, 6", 10 BLADE	1
	151	52364	PULLEY ASSEMBLY, 4.5"	1
	154	52366	HUB, PULLEY 1.56	1
	152	51244	NUT, HEX LOCK, 1/2-20 (NYLON INSERT)	1
G	150	51230	FAN, 7", 10 BLADE	1
	151	52734	PULLEY ASSEMBLY, 4.13"	1
	152	51244	NUT, HEX LOCK, 1/2-20 (NYLON INSERT)	1
	153	51523	WASHER, OD SLOTTED .53 X 1.63 X .06	1
H	150	51579	FAN, 6", 10 BLADE	1
	151	52871	PULLEY ASSEMBLY, 4.50"	1
	152	51244	NUT, HEX LOCK, 1/2-20 (NYLON INSERT)	1
	153	50752	SCREW, 1/4-20 X 0.75	3
J	150	51579	FAN, 6", 10 BLADE	1
	151	51585	PULLEY ASSEMBLY, 4"	1
	152	51244	NUT, HEX LOCK, 1/2-20 (NYLON INSERT)	1
	153	50752	SCREW, 1/4-20 X 0.75	3
K	150	51365	FAN, 6", 10 BLADE	1
	151	52039	PULLEY ASSEMBLY, 4"	1
	152	51244	NUT, HEX LOCK, 1/2-20 (NYLON INSERT)	1
	153	50752	SCREW, 1/4-20 X 0.75	3
L	150	53050	FAN, 7", 10 BLADE	1
	151	53409	PULLEY, Ø5.0	1
	152	51244	HEX LOCK NUT 1/2-20 (NYLON INSERT)	1
	153	51523	WASHER, OD SLOTTED .53 X 1.63 X .06	1
M	154	52366	HUB, PULLEY Ø1.56	1
	150	51579	FAN, 6", 10 BLADE	1
	151	52141	PULLEY, 4"	1
	152	51244	NUT, HEX LOCK, 1/2-20 (NYLON INSERT)	1
N	153	51076	SCREW, 1/4-20 X 0.875	3
	150	52315	FAN, 7", 10 BLADE	1
	151	51721	PULLEY, 4.4"	1
	152	51244	NUT, HEX LOCK, 1/2-20 (NYLON INSERT)	1
P	153	51076	SCREW, 1/4-20 X 0.875	3
	150	53050	FAN, 7", 10 BLADE	1
	151	52364	PULLEY, 4.5"	1
	152	44133	NUT, HEX JAM, 1/2-20 W/PATCH	1
Q	153	51523	WASHER, OD SLOTTED	1
	154	52366	HUB, PULLEY 1.56	1
	150	52576	FAN, 7", 10 BLADE	1
	151	52039	PULLEY, 4.5"	1
2	152	51244	NUT, HEX LOCK, 1/2-20 (NYLON INSERT)	1
	153	51076	SCREW, 1/4-20 X 0.875	3
	150	53808	FAN, 6", 10 BLADE	1
	151	53806	DISC, PULLEY, 4.5"	1
2	152	44133	NUT, HEX JAM, 1/2-20 W/PATCH	1
	153	51523	WASHER, OD SLOTTED	1
	154	53812	HUB, PULLEY 1.56	1

MODEL NUMBER: T 2 - 3 4 5 6 - 7 8 9 10 - * 11 12 13 14
 CHARACTER #: 1 2 - 3 4 5 6 - 7 8 9 10 - 11 12 13 14

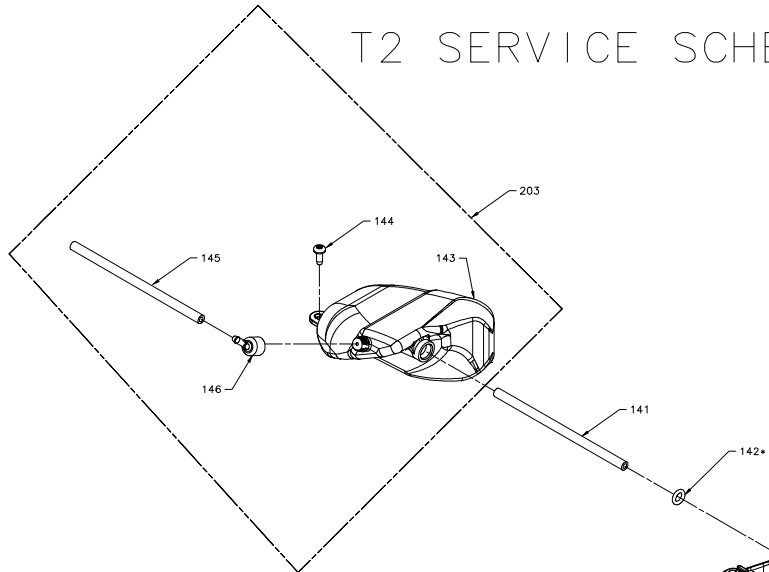
ITEM #204



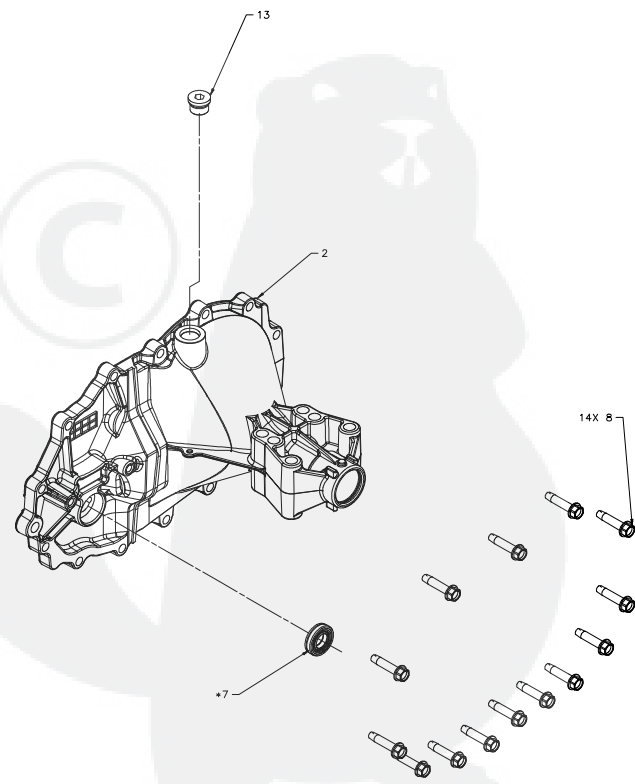
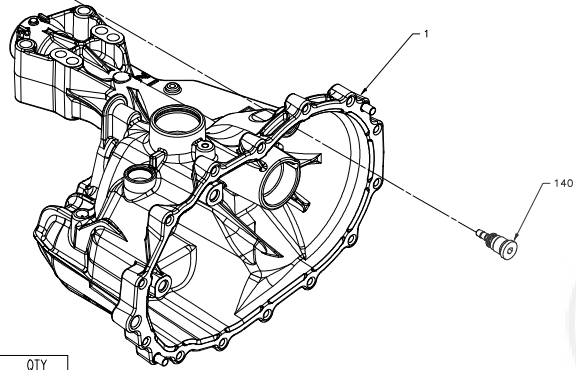
Char12	ITEM	COMPONENT	DESCRIPTION	QTY
A		70460	KIT, FAN & PULLEY	1
B		70651	KIT, FAN & PULLEY	1
C		70810	KIT, FAN & PULLEY	1
E		71895	KIT, FAN & PULLEY	1
G		71602	KIT, FAN & PULLEY	1
H		71675	KIT, FAN & PULLEY	1
J	204	70770	KIT, FAN & PULLEY	1
K		71140	KIT, FAN & PULLEY	1
L		71910	KIT, FAN & PULLEY	1
M		71227	KIT, FAN & PULLEY	1
N		72037	KIT, FAN & PULLEY	1
P		71721	KIT, FAN & PULLEY	1
Q		72054	KIT, FAN & PULLEY	1
2		72140	KIT, FAN & PULLEY	1



T2 SERVICE SCHEMATIC



MODEL NUMBER: T 2 - - - - *
 CHARACTER #: 1 2 - 3 4 5 6 - 7 8 9 10 - 11 12 13 14



ITEMS NOT SHOWN:
 10 SEALANT
 11 OIL, 20W50, 69.3oz

HOUSING KITS

CHAR 14	ITEM	COMPONENT	DESCRIPTION	QTY
X	1,2	71703	KIT, HOUSING	1
	140	51143	5/16 SAE, 5/32 TUBE	1
	141	52474	HOSE	1
	142	51144	O-RING .103 X .299 ID	1
	1	71546	MAIN HOUSING	1
1	2	71547	SIDE HOUSING	1
	140	51143	5/16 SAE, 5/32 TUBE	1
	141	52474	HOSE	1
	142	51144	O-RING .103 X .299 ID	1
2	1	71887	MAIN HOUSING	1
	2	71547	SIDE HOUSING	1
	140	9005110-5000	PLUG, 1/2-20 STR THREAD SOCKET HEAD	1

COMMON PARTS

ITEM	COMPONENT	DESCRIPTION	QTY
7	52820	SEAL, LIP .50X1.0X.25 TC	1
8	51190	HFHCS 1/4-20 X 1.25*	14
10	50928	SEALANT	1
11		OIL, 20W50	69.3oz
13	9005110-5600	PLUG 9/16-18 (METAL)	1
203	71549	KIT, E-TANK	1
205	71554	KIT, SEAL	1

* - PARTS INCLUDED IN 205 SEAL KIT

