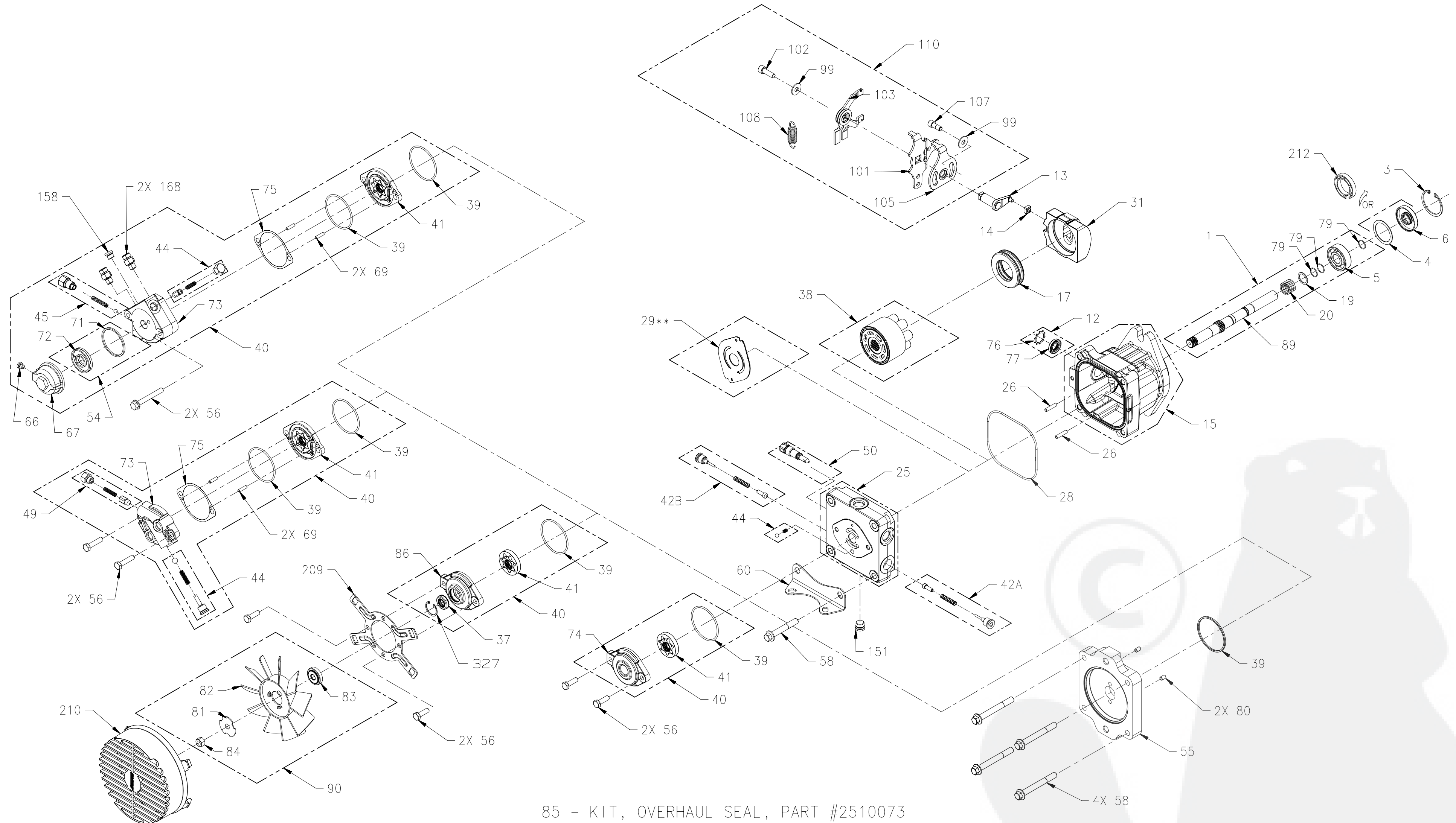


PW-SERVICE SCHEMATIC (BDP-21L)



85 - KIT, OVERHAUL SEAL, PART #2510073

**MODELS BUILT AFTER AUGUST 4, 2010 [S/N 0216XXXX]
DO NOT INSTALL ITEM #29



PW-SERVICE SCHEMATIC (BDP-21L)

PW SERIES CROSS REFERENCE MATRIX ***

LEGACY MODEL NO. ***	REFERENCE REPLACEMENT MODEL NO. ****	PUMP SHAFT KIT #1	HOUSING KIT #15	ENDCAP KIT #25B	BYPASS VALVE KIT #50	CHECK VALVE RH KIT #42A	CHECK VALVE LH KIT #42B	TRUNNION ARM	CHARGE PUMP KIT #40	CHARGE RELIEF KIT #44	INPUT ROTATION	RTN KIT #10
BDP-21L-100	PW-3DNN-KY1X-XXXX	70580	72303	72176	2513030	2510050	2510050	LH	2510071	70403	CW	
BDP-21L-101	PW-3DAA-KY2X-XXXX	70580	72303	72176	2513031	70741	70741	LH	2510071	70403	CW	
BDP-21L-102	PW-1DQQ-KY1X-XXXX	70581	72303	72176	2513030	2510027	2510027	LH	2510071	70403	CW	
BDP-21L-103	PW-1DPP-KY1X-XXXX	70581	72303	72176	2513030	2510062	2510062	LH	2510071	70403	CW	
BDP-21L-104	PW-3DQQ-KY1X-XXXX	70580	72303	72176	2513030	2510027	2510027	LH	2510071	70403	CW	
BDP-21L-105	PW-1DCC-EY1X-XXXX	70581	72303	72176	2513030	70743	70743	LH	2510071	70402	CW	
BDP-21L-106	PW-2DQQ-FY1X-XXXX	70578	72303	72176	2513030	2510027	2510027	LH	2510080	70402	CW	
BDP-21L-112	PW-1DBC-KY1X-XXXX	70581	72303	72176	2513030	70743	70743	LH	2510071	70403	CW	
BDP-21L-114	PW-1DCC-LB1X-XXXX	70581	72303	72176	2513030	70743	70743	LH	70470	70402	CW	70896
BDP-21L-200	PW-1AAA-KY2X-XXXX	70581	72303	72176	2513031	70741	70741	RH	2510071	70403	CW	
BDP-21L-201	PW-3AAA-KY2X-XXXX	70580	72303	72176	2513031	70741	70741	RH	2510071	70403	CW	
BDP-21L-202	PW-1AQQ-KY1X-XXXX	70581	72303	72176	2513030	2510027	2510027	RH	2510071	70403	CW	
BDP-21L-203	PW-1APP-KY1X-XXXX	70581	72303	72176	2513030	2510062	2510062	RH	2510071	70403	CW	
BDP-21L-204	PW-2AQQ-FY1X-XXXX	70578	72303	72176	2513030	2510027	2510027	RH	2510080	70402	CW	
BDP-21L-209	PW-1ABC-KY1X-XXXX	70581	72303	72176	2513030	70742	70743	RH	2510071	70403	CW	
BDP-21L-212	PW-1ACC-EY1X-XXXX	70581	72303	72176	2513030	70743	70743	RH	2510071	70402	CW	
BDP-21L-213	PW-1ACC-EG1X-XXXX	70581	72303	72176	2513030	70743	70743	RH	2510071	70402	CW	70872
BDP-21L-300	PW-3KNN-KY1X-XXXX	70580	72303	72176	2513030	2510050	2510050	LH	2510071	70403	CCW	
BDP-21L-301	PW-3KAA-KY2X-XXXX	70580	72303	72176	2513031	70741	70741	LH	2510071	70403	CCW	
BDP-21L-302	PW-ZKRR-FY1X-XXXX	70647	72303	72176	2513030	2510034	2510034	LH	2510080	70402	CCW	
BDP-21L-303	PW-5KQQ-FY1X-XXXX	2510091	72303	72176	2513030	2510027	2510027	LH	2510080	70402	CCW	
BDP-21L-304	PW-1KQQ-EY1X-XXXX	70581	72303	72176	2513030	2510027	2510027	LH	2510071	70402	CCW	
BDP-21L-305	PW-1KQQ-LY1X-XXXX	70581	72303	72176	2513030	2510027	2510027	LH	70470	70402	CCW	
BDP-21L-306	PW-1KRR-MY1X-X1XX	70581	72303	72180	2513030	2510034	2510034	LH	70470	70403	CCW	
BDP-21L-307	PW-3KQQ-KY1X-XXXX	70580	72303	72176	2513030	2510027	2510027	LH	2510071	70403	CCW	
BDP-21L-308	PW-1KQA-EY1X-XXXX	70581	72303	72176	2513030	2510027	70741	LH	2510071	70402	CCW	
BDP-21L-309	PW-2KQQ-FY1X-XXXX	70578	72303	72176	2513030	2510027	2510027	LH	2510080	70402	CCW	
BDP-21L-313	PW-1KBA-EY1X-XXXX	70581	72303	72176	2513030	70742	70741	LH	2510071	70402	CCW	

*** SELECT SERVICE KITS FROM THIS SCHEDULE FOR MODELS BEGINNING WITH "BDP-21L-..." ONLY.

**** MODELS BEGINNING WITH "PW-...", SELECT SERVICE KITS FROM SHEETS 4 THROUGH 17.



PW-SERVICE SCHEMATIC (BDP-21L)

PW SERIES CROSS REFERENCE MATRIX ***

LEGACY *** MODEL NO.	REFERENCE REPLACEMENT MODEL NO. ****	PUMP SHAFT KIT #1	HOUSING KIT #15	ENDCAP KIT #25B	BYPASS VALVE KIT #50	CHECK VALVE RH KIT #42A	CHECK VALVE LH KIT #42B	TRUNNION ARM	CHARGE PUMP KIT #40	CHARGE RELIEF KIT #44	INPUT ROTATION	RTN KIT#10
BDP-21L-400	PW-ZGRR-FY1X-XXXX	70647	72303	72176	2513030	2510034	2510034	RH	2510080	70402	CCW	
BDP-21L-401	PW-5GQQ-FY1X-XXXX	2510091	72303	72176	2513030	2510027	2510027	RH	2510080	70402	CCW	
BDP-21L-402	PW-1GQQ-EY1X-XXXX	70581	72303	72176	2513030	2510027	2510027	RH	2510071	70402	CCW	
BDP-21L-403	PW-1GQQ-LY1X-XXXX	70581	72303	72176	2513030	2510027	2510027	RH	70470	70402	CCW	
BDP-21L-404	PW-1GRR-MY1X-X1XX	70581	72303	72180	2513030	2510034	2510034	RH	70470	70403	CCW	
BDP-21L-405	PW-1GAQ-EY1X-XXXX	70581	72303	72176	2513030	70741	2510027	RH	2510071	70402	CCW	
BDP-21L-406	PW-2GQQ-FY1X-XXXX	70578	72303	72176	2513030	2510027	2510027	RH	2510080	70402	CCW	
BDP-21L-408	PW-1LQC-EY1X-XXXX	70581	72303	72174	2513030	2510027	70743	RH	2510080	70402	CCW	
BDP-21L-409	PW-1LCQ-EY1X-XXXX	70581	72303	72174	2513030	70743	2510027	RH	2510071	70402	CCW	
BDP-21L-412	PW-1GAB-EY1X-XXXX	70581	72303	72176	2513030	70741	70742	RH	2510071	70402	CCW	
BDP-21L-415	PW-2GCC-FE1X-XXXX	70578	72303	72176	2513030	70743	70743	RH	2510080	70402	CCW	70871
BDP-21L-418	PW-1LCC-EY1X-XXXX	70581	72303	72174	2513030	70743	70743	RH	2510071	70402	CCW	
BDP-21L-420	PW-1GCC-EY1X-XXXX	70581	72303	72176	2513030	70743	70743	RH	2510071	70402	CCW	
BDP-21L-600	PW-1DAA-JY2X-XXXX	70581	72303	72177	2513031	70741	70741	LH	70472	70471	CW	
BDP-21L-601	PW-1DQQ-YY1X-XXXX	70581	72303	72177	2513030	2510027	2510027	LH	2510074	2510061	CW	
BDP-21L-602	PW-1DQQ-PY1X-XXXX	70581	72303	72177	2513030	2510027	2510027	LH	70387	2510081	CW	
BDP-21L-604	PW-1DCC-PY2X-XXXX	70581	72303	72177	2513031	70743	70743	LH	70387	2510081	CW	
BDP-21L-605	PW-1DCC-JB1X-XXXX	70581	72303	72177	2513030	70743	70743	LH	70472	70471	CW	70869
BDP-21L-606	PW-1DCC-PY1X-XXXX	70581	72303	72177	2513030	70743	70743	LH	70472	70471	CW	
BDP-21L-700	PW-1APP-YY1X-XXXX	70581	72303	72177	2513030	2510062	2510062	RH	2510074	2510061	CW	
BDP-21L-701	PW-1AQQ-JY1X-XXXX	70581	72303	72177	2513030	2510027	2510027	RH	70472	70471	CW	
BDP-21L-800	PW-1KQQ-JY1X-XXXX	70581	72303	72177	2513030	2510027	2510027	LH	70472	70471	CCW	
BDP-21L-801	PW-1KQA-QY1X-XXXX	70581	72303	72177	2513030	2510027	70741	LH	70927	70926	CCW	
BDP-21L-803	PW-1KCC-JC1X-X2XX	70581	72303	72177	2513030	70743	70743	LH	70472	70471	CCW	70870
BDP-21L-900	PW-1GNQ-ZY1X-XXXX	70581	72303	72177	2513030	2510050	2510027	RH	2510075	2510061	CCW	
BDP-21L-901	PW-1GAA-ZY1X-XXXX	70581	72303	72177	2513030	70741	70741	RH	2510075	2510061	CCW	
BDP-21L-902	PW-1GAA-PY1X-XXXX	70581	72303	72177	2513030	70741	70741	RH	70387	2510081	CCW	
BDP-21L-903	PW-1GQQ-JY1X-X2XX	70581	72303	72177	2513030	2510027	2510027	RH	70472	70471	CCW	
BDP-21L-904	PW-1GNP-ZY1X-XXXX	70581	72303	72177	2513030	2510050	2510062	RH	2510075	2510061	CCW	

*** SELECT SERVICE KITS FROM THIS SCHEDULE FOR MODELS BEGINNING WITH "BDP-21L-..." ONLY.

**** MODELS BEGINNING WITH "PW-...", SELECT SERVICE KITS FROM SHEETS 4 THROUGH 17.



PW-SERVICE SCHEMATIC (BDP-21L)

COMMON PARTS

CHAR 2	ITEM #	PART #	DESCRIPTION	QTY	CONTAINS ITEMS:
W	12	70739	KIT, TRUNNION SEAL	1	76,77
	14	2000015	SLOT GUIDE	1	14
	17	50552	THRUST BALL BEARING ASSEMBLY	1	17
	26	50641	PIN	2	26
	28	54020	O-RING, HOUSING	1	28
	31	53794	VARIABLE SWASHPLATE	1	31
	85	2510073	KIT, OVERHAUL SEAL	1	3,6,12,28,37,39,71,75
	151	9005110-5600	PLUG, 9/16-18 STEEL	1	151

MODEL NUMBER:

P	W
1	2

 -

*			
3	4	5	6

 -

7	8	9	10

 -

11	12	13	14

FOR MODELS BUILT ON OR AFTER DEC. 05, 2011 [SN 1339PXXXXX]
(339 JULIAN DATE).**

[FOR UNITS BUILT BEFORE DEC. 05, 2011 SEE NEXT PAGE]

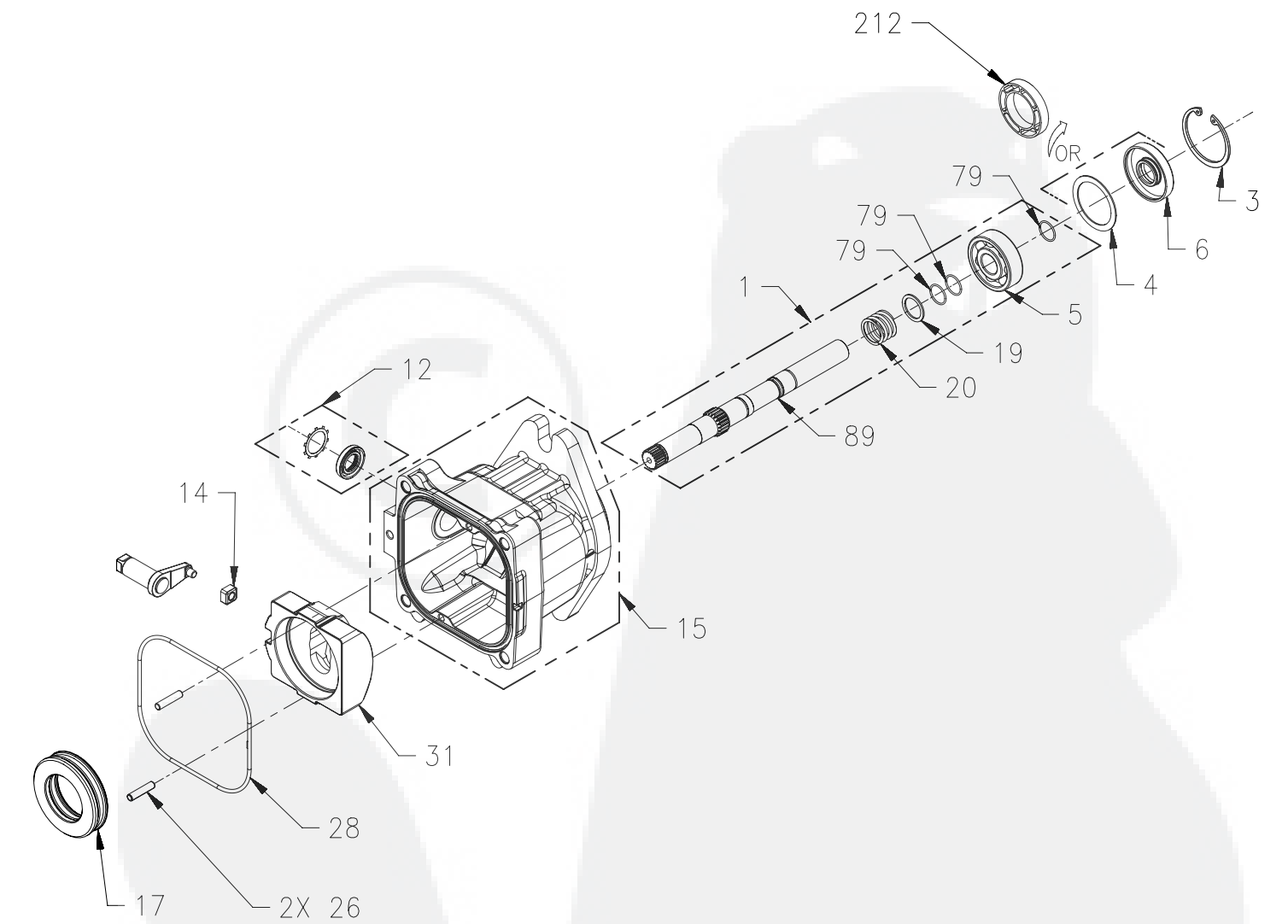
INPUT SHAFT AND HOUSING KITS

CHAR 3	ITEM #	PART #	DESCRIPTION	QTY	CONTAINS ITEMS:
A	1	71364	KIT, INPUT SHAFT (7/8" KEYED)	1	5,19,20,79,89
	15	72306	KIT, HOUSING	1	15
C	1	71022	KIT, INPUT SHAFT (13T 16/32 SPLINED)	1	5,19,20,79,89
	15	72306	KIT, HOUSING	1	15
D	1	71284	KIT, INPUT SHAFT (7/8" KEYED)	1	5,19,20,79,89
	15	72306	KIT, HOUSING	1	15
J	1	71689	KIT, INPUT SHAFT (7/8" KEYED, THRU)	1	5,19,20,79,89
	15	72306	KIT, HOUSING	1	15
M	1	71280	KIT, INPUT SHAFT (11T 16/32 SPLINE)	1	5,19,20,79,89
	15	72306	KIT, HOUSING	1	15
P	1	70754	KIT, INPUT SHAFT (7/8" KEYED, PT 13-32 SPLINE)	1	5,19,20,79,89
	15	72306	KIT, HOUSING	1	15
T	1	70753	KIT, INPUT SHAFT (13T 16/32, 9T 16/32 SPLINE)	1	5,19,20,79,89
	15	72306	KIT, HOUSING	1	15
U	1	70605	KIT, INPUT SHAFT (13T 16/32 SPLINE)	1	5,19,20,79,89
	15	72306	KIT, HOUSING	1	15
V	1	70607	KIT, INPUT SHAFT (20T 32/64 TO 20T 32/64, CHG AUX)	1	5,19,20,79,89
	15	72304	KIT, HOUSING	1	15
W	1	71021	KIT, INPUT SHAFT (20T 32/64 TO 9T 32/64, A-PAD)	1	5,19,20,79,89
	15	72304	KIT, HOUSING	1	15
Y	1	71020	KIT, INPUT SHAFT (20T 32/64 TO 20/40, A-PAD)	1	5,19,20,79,89
	15	72304	KIT, HOUSING	1	15
Z	1	70647	KIT, PUMP SHAFT (17mm KEYED THRU TO 15T 32/64 SPLINE)	1	5,19,20,79,89
	15	72302	KIT, HOUSING	1	15
1	1	70581	KIT, INPUT SHAFT (17mm KEYED)	1	5,19,20,79,89
	15	72302	KIT, HOUSING	1	15
2	1	70578	KIT, INPUT SHAFT (17mm KEYED THRU)	1	5,19,20,79,89
	15	72302	KIT, HOUSING	1	15
3	1	70580	KIT, INPUT SHAFT (19T 32/64 SPLINE)	1	5,19,20,79,89
	15	72302	KIT, HOUSING	1	15
4	1	71019	KIT, INPUT SHAFT (17mm KEYED TAPERED)	1	5,19,20,79,89
	15	72302	KIT, HOUSING	1	15
5	1	2510091	KIT, INPUT SHAFT (17mm KEYED TAPERED, THRU)	1	5,19,20,79,89
	15	72302	KIT, HOUSING	1	15
6	1	70606	KIT, INPUT SHAFT (7/8" TAPERED KEYED, 20T 32/64 SPLINE)	1	5,19,20,79,89
	15	72306	KIT, HOUSING	1	15
7	1	70713	KIT, INPUT SHAFT (17mm KEYED TO 9T 20/40 AA-PAD)	1	5,19,20,79,89
	15	72302	KIT, HOUSING	1	15

	ITEM #	PART #	DESCRIPTION	QTY
1,2,3,4,5,7 Z	3	2000038	RETAINING RING	1
	4	2000023	SPACER	1
	6	51092	LIP SEAL 17 X 47 X 8 PTCN1	1
A,C,D,P T,U,6,J	3	52650	RETAINING RING	1
	4	51279	SPACER	1
	6	51280	LIP SEAL 25 X 52 X 7 PTC	1
V,W,Y	3	2000038	RETAINING RING	1
	212	52408	SPACER	1
	6	N/A		

**NOTE: HOW TO READ BAR CODE LABEL SERIAL NUMBER DATE CODE

EX. 1XXXXPXXXX CHARACTER 1 = YEAR(2011), CHARACTERS 2, 3, & 4 ARE
1234
JULIAN DATE CODE 001 THRU 365 (001 = JAN1; 032 = FEB 1; 365 = DEC 31)



PW-SERVICE SCHEMATIC (BDP-21L)

MODEL NUMBER:

P	W
1	2

 - *

3	4	5

 -

7	8	9	10

 -

11	12	13	14	

COMMON PARTS

CHAR 2	ITEM #	PART #	DESCRIPTION	QTY	CONTAINS ITEMS:
W	12	70739	KIT, TRUNNION SEAL	1	76,77
	14	2000015	SLOT GUIDE	1	14
	17	50552	THRUST BALL BEARING ASSEMBLY	1	17
	26	50641	PIN	2	26
	28	54020	O-RING, HOUSING	1	28
	85	2510073	KIT, OVERHAUL SEAL	1	3,6,12,28,37,39,71,75
	151	9005110-5600	PLUG, 9/16-18 STEEL	1	151

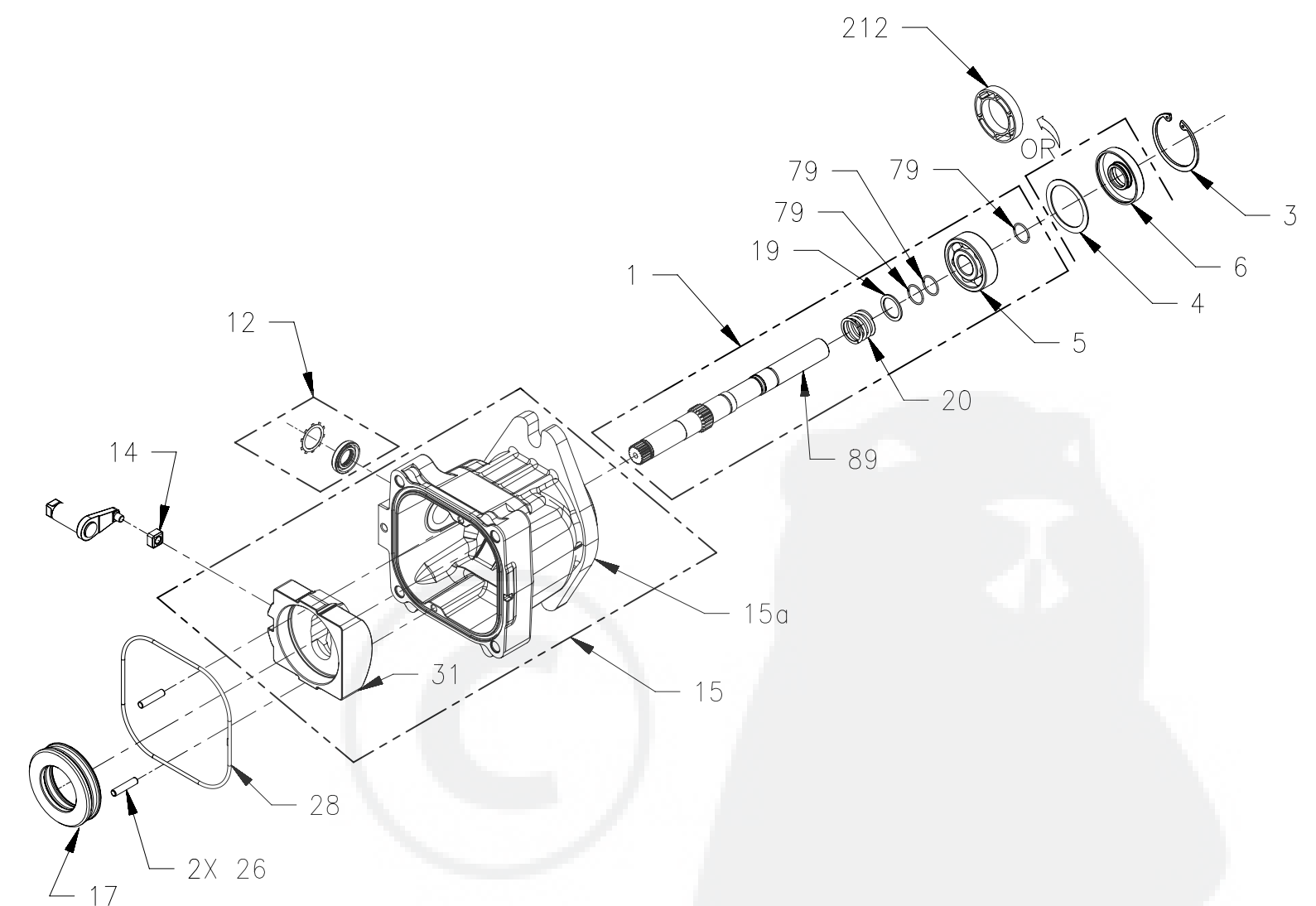
FOR MODELS BUILT BEFORE DEC. 05, 2011 [SN 1339PXXXXX]
(339 JULIAN DATE).**
[FOR UNITS BUILT AFTER DEC. 05, 2011 SEE PRECEDING PAGE]

INPUT SHAFT AND HOUSING KITS

CHAR 3	ITEM #	PART #	DESCRIPTION	QTY	CONTAINS ITEMS:
A	1	71364	KIT, INPUT SHAFT (7/8" KEYED)	1	5,19,20,79,89
	15	72307	KIT, HOUSING	1	15a,31
C	1	71022	KIT, INPUT SHAFT (13T 16/32 SPLINED)	1	5,19,20,79,89
	15	72307	KIT, HOUSING	1	15a,31
D	1	71284	KIT, INPUT SHAFT (7/8" KEYED)	1	5,19,20,79,89
	15	72307	KIT, HOUSING	1	15a,31
J	1	71689	KIT, INPUT SHAFT (7/8" KEYED, THRU)	1	5,19,20,79,89
	15	72307	KIT, HOUSING	1	15a,31
M	1	71280	KIT, INPUT SHAFT (11T 16/32 SPLINED)	1	5,19,20,79,89
	15	72307	KIT, HOUSING	1	15a,31
P	1	70754	KIT, INPUT SHAFT (7/8" KEYED, PT 13-32 SPLINE)	1	5,19,20,79,89
	15	72307	KIT, HOUSING	1	15a,31
T	1	70753	KIT, INPUT SHAFT (13T 16/32, 9T 16/32 SPLINE)	1	5,19,20,79,89
	15	72307	KIT, HOUSING	1	15a,31
U	1	70605	KIT, INPUT SHAFT (13T 16/32 SPLINE)	1	5,19,20,79,89
	15	72307	KIT, HOUSING	1	15a,31
V	1	70607	KIT, INPUT SHAFT (20T 32/64 TO 20T 32/64, CHG AUX)	1	5,19,20,79,89
	15	72305	KIT, HOUSING	1	15a,31
W	1	71021	KIT, INPUT SHAFT (20T 32/64 TO 9T 32/64, A-PAD)	1	5,19,20,79,89
	15	72305	KIT, HOUSING	1	15a,31
Y	1	71020	KIT, INPUT SHAFT (20T 32/64 TO 20/40, A-PAD)	1	5,19,20,79,89
	15	72305	KIT, HOUSING	1	15a,31
Z	1	70647	KIT, PUMP SHAFT (17mm KEYED THRU TO 15T 32/64 SPLINE)	1	5,19,20,79,89
	15	72303	KIT, HOUSING	1	15a,31
1	1	70581	KIT, INPUT SHAFT (17mm KEYED)	1	5,19,20,79,89
	15	72303	KIT, HOUSING	1	15a,31
2	1	70578	KIT, INPUT SHAFT (17mm KEYED THRU)	1	5,19,20,79,89
	15	72303	KIT, HOUSING	1	15a,31
3	1	70580	KIT, INPUT SHAFT (19T 32/64 SPLINE)	1	5,19,20,79,89
	15	72303	KIT, HOUSING	1	15a,31
4	1	71019	KIT, INPUT SHAFT (17mm KEYED TAPERED)	1	5,19,20,79,89
	15	72303	KIT, HOUSING	1	15a,31
5	1	2510091	KIT, INPUT SHAFT (17mm KEYED TAPERED, THRU)	1	5,19,20,79,89
	15	72303	KIT, HOUSING	1	15a,31
6	1	70606	KIT, INPUT SHAFT (7/8" TAPERED KEYED, 20T 32/64 SPLINE)	1	5,19,20,79,89
	15	72307	KIT, HOUSING	1	15a,31
7	1	70713	KIT, INPUT SHAFT (17mm KEYED TO 9T 20/40 AA-PAD)	1	5,19,20,79,89
	15	72303	KIT, HOUSING	1	15a,31

CHARACTER 3	ITEM #	PART #	DESCRIPTION	QTY
1,2,3,4,5,7,Z	3	2000038	RETAINING RING	1
	4	2000023	SPACER	1
	6	51092	LIP SEAL 17 X 47 X 8 PTCN1	1
	31	50203	VARIABLE SWASHPLATE	1
A,C,D,P T,U,6,J	3	52650	RETAINING RING	1
	4	51279	SPACER	1
	6	51280	LIP SEAL 25 X 52 X 7 PTC	1
V,W,Y	31	50203	VARIABLE SWASHPLATE	1
	3	2000038	RETAINING RING	1
	31	50203	VARIABLE SWASHPLATE	1
	212	52408	SPACER	1

**NOTE: HOW TO READ BAR CODE LABEL SERIAL NUMBER DATE CODE
EX. 1234XXXXPXXXX CHARACTER 1 = YEAR(2011), CHARACTERS 2, 3, & 4 ARE
JULIAN DATE CODE 001 THRU 365 (001 = JAN1; 032 = FEB 1; 365 = DEC 31)



PW-SERVICE SCHEMATIC (BPD-21L)

MODEL NUMBER:

P	W
1	2

 -

	*	*
3	4	6

 -

7	8	9	10

 -

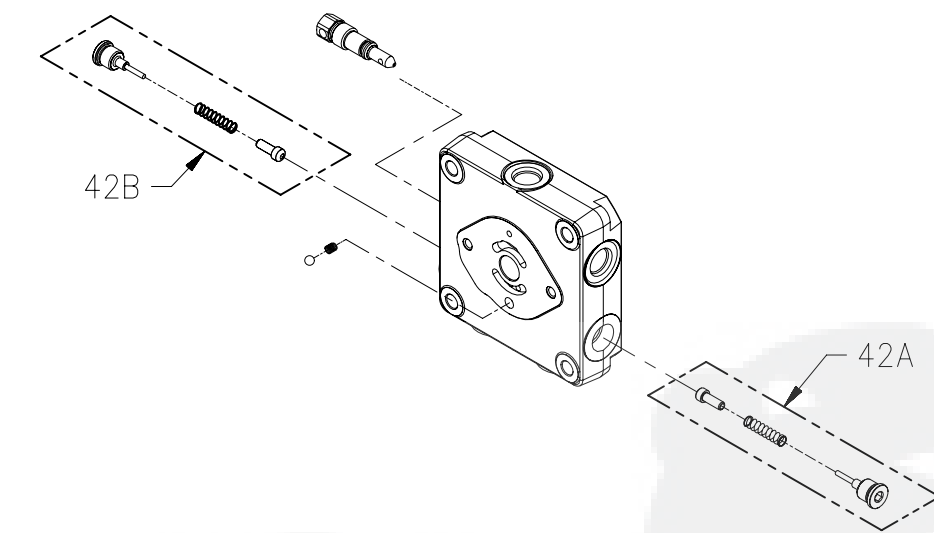
11	12	13	14

SHOCK VALVE KITS, "A" SIDE

CHAR 5	ITEM #	PART #	DESCRIPTION	QTY
A	42A	70741	KIT, SHOCK VALVE (200 BAR, BLANK ORIFICE)	1
B		70742	KIT, SHOCK VALVE (200 BAR, .024 ORIFICE)	1
C		70743	KIT, SHOCK VALVE (200 BAR, .031 ORIFICE)	1
D		70744	KIT, SHOCK VALVE (200 BAR, .044 ORIFICE)	1
E		70836	KIT, SHOCK VALVE (160 BAR, BLANK ORIFICE)	1
F		70837	KIT, SHOCK VALVE (160 BAR, .024 ORIFICE)	1
G		70838	KIT, SHOCK VALVE (160 BAR, .031 ORIFICE)	1
H		70839	KIT, SHOCK VALVE (160 BAR, .044 ORIFICE)	1
J		70840	KIT, SHOCK VALVE (120 BAR, BLANK ORIFICE)	1
K		70841	KIT, SHOCK VALVE (120 BAR, .024 ORIFICE)	1
L		70842	KIT, SHOCK VALVE (120 BAR, .031 ORIFICE)	1
M		70843	KIT, SHOCK VALVE (120 BAR, .044 ORIFICE)	1
N		2510050	KIT, CHECK VALVE (BLANK ORIFICE)	1
P		2510062	KIT, CHECK VALVE (.024 ORIFICE)	1
Q		2510034	KIT, CHECK VALVE (.031 ORIFICE)	1
R		2510027	KIT, CHECK VALVE (.044 ORIFICE)	1

SHOCK VALVE KITS, "B" SIDE

CHAR 6	ITEM #	PART #	DESCRIPTION	QTY
A	42B	70741	KIT, SHOCK VALVE (200 BAR, BLANK ORIFICE)	1
B		70742	KIT, SHOCK VALVE (200 BAR, .024 ORIFICE)	1
C		70743	KIT, SHOCK VALVE (200 BAR, .031 ORIFICE)	1
D		70744	KIT, SHOCK VALVE (200 BAR, .044 ORIFICE)	1
E		70836	KIT, SHOCK VALVE (160 BAR, BLANK ORIFICE)	1
F		70837	KIT, SHOCK VALVE (160 BAR, .024 ORIFICE)	1
G		70838	KIT, SHOCK VALVE (160 BAR, .031 ORIFICE)	1
H		70839	KIT, SHOCK VALVE (160 BAR, .044 ORIFICE)	1
J		70840	KIT, SHOCK VALVE (120 BAR, BLANK ORIFICE)	1
K		70841	KIT, SHOCK VALVE (120 BAR, .024 ORIFICE)	1
L		70842	KIT, SHOCK VALVE (120 BAR, .031 ORIFICE)	1
M		70843	KIT, SHOCK VALVE (120 BAR, .044 ORIFICE)	1
N		2510050	KIT, CHECK VALVE (BLANK ORIFICE)	1
P		2510062	KIT, CHECK VALVE (.024 ORIFICE)	1
Q		2510034	KIT, CHECK VALVE (.031 ORIFICE)	1
R		2510027	KIT, CHECK VALVE (.044 ORIFICE)	1



PW-SERVICE SCHEMATIC (BDP-21L)

MODEL NUMBER:

P	W
1	2

 -

*	
3	4

 -

*	
7	8

 -

*	
11	12

 CHARACTER #:

1	2
3	4

 -

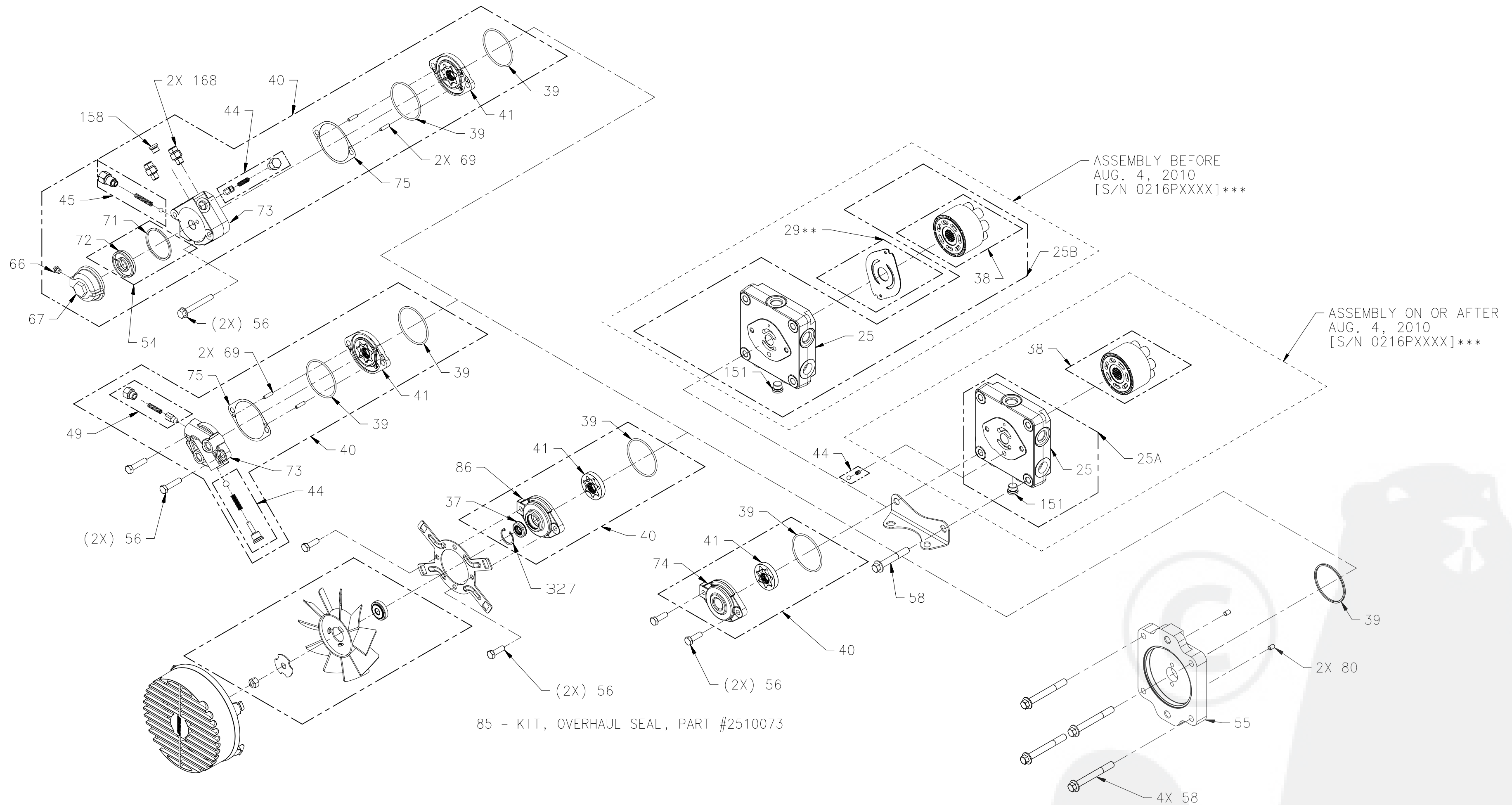
5	6
7	8

 -

9	10
11	12

 -

13	14



NOTES:

**MODELS BUILT AFTER AUGUST 4, 2010 [S/N 0216PXXXX]
DO NOT INSTALL ITEM #29

IMPORTANT:
DAMAGE TO MAJOR PUMP COMPONENTS WILL OCCUR IF ITEM #29 (VALVE PLATE) IS INSTALLED IN AUGUST 4, 2010 OR LATER MODELS OR WITH REPLACEMENT ENDCAP KITS, ITEM #25A OR 25B. ITEM #29, EITHER NEW OR USED, MAY ONLY BE INSTALLED WITH ITS ORIGINAL ENDCAP.

*** NOTE: HOW TO READ BAR CODE LABEL SERIAL NUMBER DATE CODE
EX. 0XXXXPXXXXX CHARACTER 1 = YEAR(2010), CHARACTERS 2, 3, & 4 ARE 1234
JULIAN DATE CODE 001 THRU 365 (001 = JAN 1; 216 = AUG 4; 365 = DEC 31)

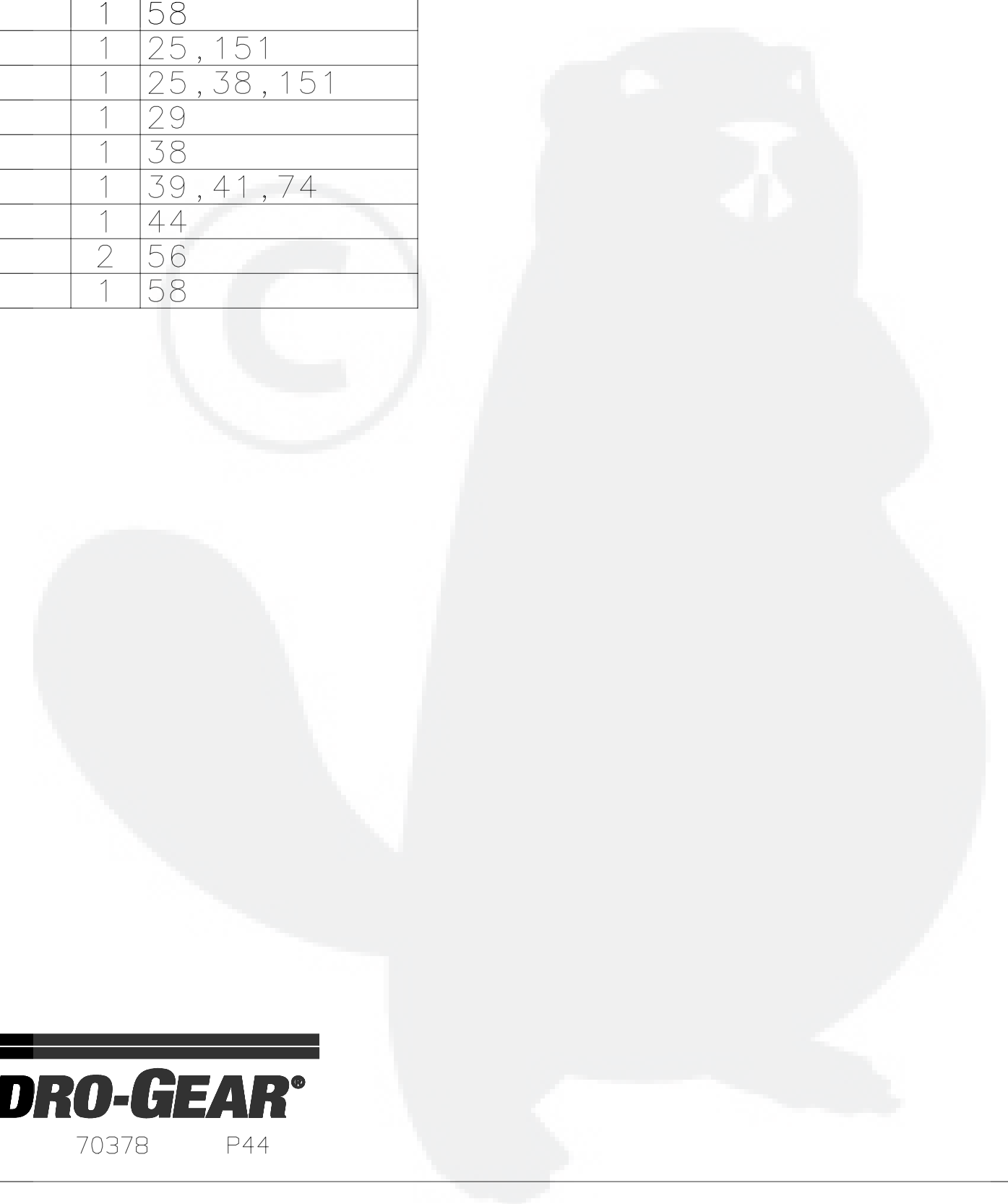


PW-SERVICE SCHEMATIC
(BDP-21L)

MODEL NUMBER: P W - * - * - *
CHARACTER #: 1 2 - 3 4 5 6 - 7 8 9 10 - 11 12 13 14

END CAP & CHARGE PUMP KITS

CHAR 7	CHAR 4	CHAR 12	ITEM #	PART# ON OR AFTER S/N 0216PXXXXX	PART# BEFORE S/N 0216PXXXXX	DESCRIPTION	QTY	CONTAINS ITEMS
E	A THRU D, G THRU K	X	25A	72171	- - - - -	KIT, ENDCAP - STD	1	25,151
			25B	- - - - -	72176	KIT, ENDCAP - STD	1	25,38,151
			29**	- - - - -	51764	VALVE PLATE	1	29
			38	72159	- - - - -	KIT, CYLINDER BLOCK (21cc)	1	38
			40	2510071	2510071	KIT, CHARGE PUMP	1	39,41,74
			44	70402	70402	KIT, CHARGE RELIEF	1	44
			56	53814	53814	SCREW, 5/16-18 X 1.125 LG.	2	56
			58	71059	71059	KIT, HSG BOLT	1	58
	E,F,L,M	X	25A	72174	- - - - -	KIT, ENDCAP - TOP CASE DRAIN	1	25,151
			25B	- - - - -	72179	KIT, ENDCAP - TOP CASE DRAIN	1	25,38,151
			29**	- - - - -	51764	VALVE PLATE	1	29
			38	72159	- - - - -	KIT, CYLINDER BLOCK (21cc)	1	38
			40	2510071	2510071	KIT, CHARGE PUMP	1	39,41,74
			44	70402	70402	KIT, CHARGE RELIEF	1	44
			56	53814	53814	SCREW, 5/16-18 X 1.125 LG.	2	56
			58	71059	71059	KIT, HSG BOLT	1	58
	T,U,V,W	X	25A	72171	- - - - -	KIT, ENDCAP - STD	1	25,151
			25B	- - - - -	72176	KIT, ENDCAP - STD	1	25,38,151
			29**	- - - - -	51764	VALVE PLATE	1	29
			38	72159	- - - - -	KIT, CYLINDER BLOCK (21cc)	1	38
			40	2510071	2510071	KIT, CHARGE PUMP	1	39,41,74
			44	70402	70402	KIT, CHARGE RELIEF	1	44
			56	53814	53814	SCREW, 5/16-18 X 1.125 LG.	2	56
			58	71059	71059	KIT, HSG BOLT	1	58



PW-SERVICE SCHEMATIC
(BDP-21L)

MODEL NUMBER: P W - * - * - *
CHARACTER #: 1 2 - 3 4 5 6 - 7 8 9 10 - 11 12 13 14

END CAP & CHARGE PUMP KITS

CHAR 7	CHAR 4	CHAR 12	ITEM #	PART# ON OR AFTER S/N 0216PXXXXX	PART# BEFORE S/N 0216PXXXXX	DESCRIPTION	QTY	CONTAINS ITEMS
G	A THRU D, G THRU K	1	25A	72175	- - - - -	KIT, ENDCAP - .078 ORIFICE	1	25,151
			25B	- - - - -	72180	KIT, ENDCAP - .078 ORIFICE	1	25,38,151
			29**	- - - - -	51764	VALVE PLATE	1	29
			38	72159	- - - - -	KIT, CYLINDER BLOCK (21cc)	1	38
			40	70924	70924	KIT, CHARGE PUMP	1	37,39,41,86,327
			44	70402	70402	KIT, CHARGE RELIEF	1	44
			56	53814	53814	SCREW, 5/16-18 X 1.125 LG.	2	56
			58	71059	71059	KIT, HSG BOLT	1	58
	A THRU D, G THRU K	X	25A	72171	- - - - -	KIT, ENDCAP - STD	1	25,151
			25B	- - - - -	72176	KIT, ENDCAP - STD	1	25,38,151
			29**	- - - - -	51764	VALVE PLATE	1	29
			38	72159	- - - - -	KIT, CYLINDER BLOCK (21cc)	1	38
			40	70924	70924	KIT, CHARGE PUMP	1	37,39,41,86,327
			44	70402	70402	KIT, CHARGE RELIEF	1	44
			56	53814	53814	SCREW, 5/16-18 X 1.125 LG.	2	56
			58	71059	71059	KIT, HSG BOLT	1	58
	E,F,L,M	X	25A	72174	- - - - -	KIT, ENDCAP - TOP CASE DRAIN	1	25,151
			25B	- - - - -	72179	KIT, ENDCAP - TOP CASE DRAIN	1	25,38,151
			29**	- - - - -	51764	VALVE PLATE	1	29
			38	72159	- - - - -	KIT, CYLINDER BLOCK (21cc)	1	38
			40	70924	70924	KIT, CHARGE PUMP	1	37,39,41,86,327
			44	70402	70402	KIT, CHARGE RELIEF	1	44
			56	53814	53814	SCREW, 5/16-18 X 1.125 LG.	2	56
			58	71059	71059	KIT, HSG BOLT	1	58
	T,U,V,W	X	25A	72171	- - - - -	KIT, ENDCAP - STD	1	25,151
			25B	- - - - -	72176	KIT, ENDCAP - STD	1	25,38,151
			29**	- - - - -	51764	VALVE PLATE	1	29
			38	72159	- - - - -	KIT, CYLINDER BLOCK (21cc)	1	38
			40	70924	70924	KIT, CHARGE PUMP	1	37,39,41,86,327
			44	70402	70402	KIT, CHARGE RELIEF	1	44
			56	53814	53814	SCREW, 5/16-18 X 1.125 LG.	2	56
			58	71059	71059	KIT, HSG BOLT	1	58



PW-SERVICE SCHEMATIC (BDP-21L)

MODEL NUMBER:

P	W
1	2

 -

*			
3	4	5	6

 -

*			
7	8	9	10

 -

*			
11	12	13	14

END CAP & CHARGE PUMP KITS

CHAR 7	CHAR 4	CHAR 12	ITEM #	PART# ON OR AFTER S/N 0216PXXXXX	PART# BEFORE S/N 0216PXXXXX	DESCRIPTION	QTY	CONTAINS ITEMS
K	A THRU D, G THRU K	X	25A	72171	- - - - -	KIT, ENDCAP - STD	1	25, 151
			25B	- - - - -	72176	KIT, ENDCAP - STD	1	25, 38, 151
			29**	- - - - -	51764	VALVE PLATE	1	29
			38	72159	- - - - -	KIT, CYLINDER BLOCK (21cc)	1	38
			40	2510071	2510071	KIT, CHARGE PUMP	1	39, 41, 74
			44	70403	70403	KIT, CHARGE RELIEF	1	44
			56	53814	53814	SCREW, 5/16-18 X 1.125 LG.	2	56
			58	71059	71059	KIT, HSG BOLT	1	58
	E, F, L, M	X	25A	72174	- - - - -	KIT, ENDCAP - TOP CASE DRAIN	1	25, 151
			25B	- - - - -	72179	KIT, ENDCAP - TOP CASE DRAIN	1	25, 38, 151
			29**	- - - - -	51764	VALVE PLATE	1	29
			38	72159	- - - - -	KIT, CYLINDER BLOCK (21cc)	1	38
			40	2510071	2510071	KIT, CHARGE PUMP	1	39, 41, 74
			44	70403	70403	KIT, CHARGE RELIEF	1	44
			56	53814	53814	SCREW, 5/16-18 X 1.125 LG.	2	56
			58	71059	71059	KIT, HSG BOLT	1	58
	T, U, V, W	X	25A	72171	- - - - -	KIT, ENDCAP - STD	1	25, 151
			25B	- - - - -	72176	KIT, ENDCAP - STD	1	25, 38, 151
			29**	- - - - -	51764	VALVE PLATE	1	29
			38	72159	- - - - -	KIT, CYLINDER BLOCK (21cc)	1	38
			40	2510071	2510071	KIT, CHARGE PUMP	1	39, 41, 74
			44	70403	70403	KIT, CHARGE RELIEF	1	44
			56	53814	53814	SCREW, 5/16-18 X 1.125 LG.	2	56
			58	71059	71059	KIT, HSG BOLT	1	58
U	A THRU D, G THRU K	X	25A	72171	- - - - -	KIT, ENDCAP - STD	1	25, 151
			25B	- - - - -	72176	KIT, ENDCAP - STD	1	25, 38, 151
			29**	- - - - -	51764	VALVE PLATE	1	29
			38	72159	- - - - -	KIT, CYLINDER BLOCK (21cc)	1	38
			40	70924	70924	KIT, CHARGE PUMP	1	37, 39, 41, 86, 327
			44	71361	71361	KIT, CHARGE RELIEF	1	44
			56	53814	53814	SCREW, 5/16-18 X 1.125 LG.	2	56
			58	71059	71059	KIT, HSG BOLT	1	58
	E, F, L, M	X	25A	72174	- - - - -	KIT, ENDCAP - TOP CASE DRAIN	1	25, 151
			25B	- - - - -	72179	KIT, ENDCAP - TOP CASE DRAIN	1	25, 38, 151
			29**	- - - - -	51764	VALVE PLATE	1	29
			38	72159	- - - - -	KIT, CYLINDER BLOCK (21cc)	1	38
			40	70924	70924	KIT, CHARGE PUMP	1	37, 39, 41, 86, 327
			44	71361	71361	KIT, CHARGE RELIEF	1	44
			56	53814	53814	SCREW, 5/16-18 X 1.125 LG.	2	56
			58	71059	71059	KIT, HSG BOLT	1	58
	T, U, V, W	X	25A	72171	- - - - -	KIT, ENDCAP - STD	1	25, 151
			25B	- - - - -	72176	KIT, ENDCAP - STD	1	25, 38, 151
			29**	- - - - -	51764	VALVE PLATE	1	29
			38	72159	- - - - -	KIT, CYLINDER BLOCK (21cc)	1	38
			40	70924	70924	KIT, CHARGE PUMP	1	37, 39, 41, 86, 327
			44	71361	71361	KIT, CHARGE RELIEF	1	44
			56	53814	53814	SCREW, 5/16-18 X 1.125 LG.	2	56
			58	71059	71059	KIT, HSG BOLT	1	58



PW-SERVICE SCHEMATIC (BDP-21L)

MODEL NUMBER:

P	W
1	2

 -

*			
3	4	5	6

 -

*			
7	8	9	10

 -

*			
11	12	13	14

END CAP & CHARGE PUMP KITS

CHAR 7	CHAR 4	CHAR 12	ITEM #	PART# ON OR AFTER S/N 0216PXXXXX	PART# BEFORE S/N 0216PXXXXX	DESCRIPTION	QTY	CONTAINS ITEMS		
F	A THRU D, G THRU K	X	25A	72171	- - - - -	KIT, ENDCAP - STD	1	25,151		
			25B	- - - - -	72176	KIT, ENDCAP - STD	1	25,38,151		
			29**	- - - - -	51764	VALVE PLATE	1	29		
			38	72159	- - - - -	KIT, CYLINDER BLOCK (21cc)	1	38		
			40	2510080	2510080	KIT, CHARGE PUMP	1	37,39,41,86,327		
			44	70402	70402	KIT, CHARGE RELIEF	1	44		
			56	53814	53814	SCREW, 5/16-18 X 1.125 LG.	2	56		
			58	71059	71059	KIT, HSG BOLT	1	58		
	E,F,L,M	X	25A	72174	- - - - -	KIT, ENDCAP - TOP CASE DRAIN	1	25,151		
			25B	- - - - -	72179	KIT, ENDCAP - TOP CASE DRAIN	1	25,38,151		
			29**	- - - - -	51764	VALVE PLATE	1	29		
			38	72159	- - - - -	KIT, CYLINDER BLOCK (21cc)	1	38		
			40	2510080	2510080	KIT, CHARGE PUMP	1	37,39,41,86,327		
			44	70402	70402	KIT, CHARGE RELIEF	1	44		
56			53814	53814	SCREW, 5/16-18 X 1.125 LG.	2	56			
58			71059	71059	KIT, HSG BOLT	1	58			
T	A THRU D, G THRU K	X	25A	72171	- - - - -	KIT, ENDCAP - STD	1	25,151		
			25B	- - - - -	72176	KIT, ENDCAP - STD	1	25,38,151		
			29**	- - - - -	51764	VALVE PLATE	1	29		
			38	72159	- - - - -	KIT, CYLINDER BLOCK (21cc)	1	38		
			40	2510071	2510071	KIT, CHARGE PUMP	1	39,41,74		
			44	71361	71361	KIT, CHARGE RELIEF	1	44		
			56	53814	53814	SCREW, 5/16-18 X 1.125 LG.	2	56		
			58	71059	71059	KIT, HSG BOLT	1	58		
			E,F,L,M	X	25A	72174	- - - - -	KIT, ENDCAP - TOP CASE DRAIN	1	25,151
					25B	- - - - -	72179	KIT, ENDCAP - TOP CASE DRAIN	1	25,38,151
					29**	- - - - -	51764	VALVE PLATE	1	29
					38	72159	- - - - -	KIT, CYLINDER BLOCK (21cc)	1	38
	40	2510071			2510071	KIT, CHARGE PUMP	1	39,41,74		
	44	71361			71361	KIT, CHARGE RELIEF	1	44		
	T,U,V,W	X	25A	72171	- - - - -	KIT, ENDCAP - STD	1	25,151		
			25B	- - - - -	72176	KIT, ENDCAP - STD	1	25,38,151		
			29**	- - - - -	51764	VALVE PLATE	1	29		
			38	72159	- - - - -	KIT, CYLINDER BLOCK (21cc)	1	38		
			40	2510071	2510071	KIT, CHARGE PUMP	1	39,41,74		
			44	71361	71361	KIT, CHARGE RELIEF	1	44		
	56	53814	53814	SCREW, 5/16-18 X 1.125 LG.	2	56				
	58	71059	71059	KIT, HSG BOLT	1	58				



PW-SERVICE SCHEMATIC (BDP-21L)

MODEL NUMBER:

P	W
1	2

 -

*			
3	4	5	6

 -

*			
7	8	9	10

 -

*			
11	12	13	14

END CAP & CHARGE PUMP KITS

CHAR 7	CHAR 4	CHAR 12	ITEM #	PART# ON OR AFTER S/N 0216PXXXXX	PART# BEFORE S/N 0216PXXXXX	DESCRIPTION	QTY	CONTAINS ITEMS	
L	A THRU D, G THRU K	1	25A	72175	- - - - -	KIT, ENDCAP - .078 ORIFICE	1	25,151	
			25B	- - - - -	72180	KIT, ENDCAP - .078 ORIFICE	1	25,38,151	
			29**	- - - - -	51764	VALVE PLATE	1	29	
			38	72159	- - - - -	KIT, CYLINDER BLOCK (21cc)	1	38	
			40	70470	70470	KIT, CHARGE PUMP	1	39,41,74	
			44	70402	70402	KIT, CHARGE RELIEF	1	44	
		56	53814	53814	SCREW, 5/16-18 X 1.125 LG.	2	56		
		58	71059	71059	KIT, HSG BOLT	1	58		
		X	25A	72171	- - - - -	KIT, ENDCAP - STD	1	25,151	
			25B	- - - - -	72176	KIT, ENDCAP - STD	1	25,38,151	
			29**	- - - - -	51764	VALVE PLATE	1	29	
			38	72159	- - - - -	KIT, CYLINDER BLOCK (21cc)	1	38	
	40		70470	70470	KIT, CHARGE PUMP	1	39,41,74		
	44		70402	70402	KIT, CHARGE RELIEF	1	44		
	E,F,L,M	X	25A	72174	- - - - -	KIT, ENDCAP - TOP CASE DRAIN	1	25,151	
			25B	- - - - -	72179	KIT, ENDCAP - TOP CASE DRAIN	1	25,38,151	
			29**	- - - - -	51764	VALVE PLATE	1	29	
			38	72159	- - - - -	KIT, CYLINDER BLOCK (21cc)	1	38	
			40	70470	70470	KIT, CHARGE PUMP	1	39,41,74	
			44	70402	70402	KIT, CHARGE RELIEF	1	44	
		X	56	53814	53814	SCREW, 5/16-18 X 1.125 LG.	2	56	
			58	71059	71059	KIT, HSG BOLT	1	58	
			25A	72175	- - - - -	KIT, ENDCAP - .078 ORIFICE	1	25,151	
			25B	- - - - -	72180	KIT, ENDCAP - .078 ORIFICE	1	25,38,151	
29**			- - - - -	51764	VALVE PLATE	1	29		
38			72159	- - - - -	KIT, CYLINDER BLOCK (21cc)	1	38		
M	A THRU D, G THRU K	1	40	70470	70470	KIT, CHARGE PUMP	1	39,41,74	
			44	70403	70403	KIT, CHARGE RELIEF	1	44	
			56	53814	53814	SCREW, 5/16-18 X 1.125 LG.	2	56	
			58	71059	71059	KIT, HSG BOLT	1	58	
			X	25A	72171	- - - - -	KIT, ENDCAP - STD	1	25,151
				25B	- - - - -	72176	KIT, ENDCAP - STD	1	25,38,151
	29**	- - - - -		51764	VALVE PLATE	1	29		
	38	72159		- - - - -	KIT, CYLINDER BLOCK (21cc)	1	38		
	40	70470		70470	KIT, CHARGE PUMP	1	39,41,74		
	44	70403		70403	KIT, CHARGE RELIEF	1	44		
	E,F,L,M	X	56	53814	53814	SCREW, 5/16-18 X 1.125 LG.	2	56	
			58	71059	71059	KIT, HSG BOLT	1	58	
25A			72174	- - - - -	KIT, ENDCAP - TOP CASE DRAIN	1	25,151		
25B			- - - - -	72179	KIT, ENDCAP - TOP CASE DRAIN	1	25,38,151		
29**			- - - - -	51764	VALVE PLATE	1	29		
38			72159	- - - - -	KIT, CYLINDER BLOCK (21cc)	1	38		
X	40	70470	70470	KIT, CHARGE PUMP	1	39,41,74			
	44	70403	70403	KIT, CHARGE RELIEF	1	44			
	56	53814	53814	SCREW, 5/16-18 X 1.125 LG.	2	56			
	58	71059	71059	KIT, HSG BOLT	1	58			



PW-SERVICE SCHEMATIC (BDP-21L)

MODEL NUMBER:

P	W
1	2

 -

*			
3	4	5	6

 -

*			
7	8	9	10

 -

*			
11	12	13	14

END CAP & CHARGE PUMP KITS

CHAR 7	CHAR 4	CHAR 12	ITEM #	PART# ON OR AFTER S/N 0216PXXXXX	PART# BEFORE S/N 0216PXXXXX	DESCRIPTION	QTY	CONTAINS ITEMS
N	A THRU D, G THRU K	X	25A	72171	- - - - -	KIT, ENDCAP - STD	1	25,151
			25B	- - - - -	72176	KIT, ENDCAP - STD	1	25,38,151
			29**	- - - - -	51764	VALVE PLATE	1	29
			38	72159	- - - - -	KIT, CYLINDER BLOCK (21cc)	1	38
			40	2510080	2510080	KIT, CHARGE PUMP	1	37,39,41,86,327
			44	70403	70403	KIT, CHARGE RELIEF	1	44
			56	53814	53814	SCREW, 5/16-18 X 1.125 LG.	2	56
	58	71059	71059	KIT, HSG BOLT	1	58		
	E,F,L,M	X	25A	72174	- - - - -	KIT, ENDCAP - TOP CASE DRAIN	1	25,151
			25B	- - - - -	72179	KIT, ENDCAP - TOP CASE DRAIN	1	25,38,151
			29**	- - - - -	51764	VALVE PLATE	1	29
			38	72159	- - - - -	KIT, CYLINDER BLOCK (21cc)	1	38
			40	2510080	2510080	KIT, CHARGE PUMP	1	37,39,41,86,327
			44	70403	70403	KIT, CHARGE RELIEF	1	44
56			53814	53814	SCREW, 5/16-18 X 1.125 LG.	2	56	
58	71059	71059	KIT, HSG BOLT	1	58			
B	A THRU D, G THRU K	X	25A	72171	- - - - -	KIT, ENDCAP - STD	1	25,151
			25B	- - - - -	72176	KIT, ENDCAP - STD	1	25,38,151
			29**	- - - - -	51764	VALVE PLATE	1	29
			38	72159	- - - - -	KIT, CYLINDER BLOCK (21cc)	1	38
			40	71656	71656	KIT, CHARGE PUMP	1	37,39,41,86
			44	71361	71361	KIT, CHARGE RELIEF	1	44
			56	53814	53814	SCREW, 5/16-18 X 1.125 LG.	2	56
	58	71059	71059	KIT, HSG BOLT	1	58		
	E,F,L,M	X	25A	72174	- - - - -	KIT, ENDCAP - TOP CASE DRAIN	1	25,151
			25B	- - - - -	72179	KIT, ENDCAP - TOP CASE DRAIN	1	25,38,151
			29**	- - - - -	51764	VALVE PLATE	1	29
			38	72159	- - - - -	KIT, CYLINDER BLOCK (21cc)	1	38
			40	71656	71656	KIT, CHARGE PUMP	1	37,39,41,86
			44	71361	71361	KIT, CHARGE RELIEF	1	44
			56	53814	53814	SCREW, 5/16-18 X 1.125 LG.	2	56
	58	71059	71059	KIT, HSG BOLT	1	58		
	T,U,V,W	X	25A	72171	- - - - -	KIT, ENDCAP - STD	1	25,151
			25B	- - - - -	72176	KIT, ENDCAP - STD	1	25,38,151
			29**	- - - - -	51764	VALVE PLATE	1	29
			38	72159	- - - - -	KIT, CYLINDER BLOCK (21cc)	1	38
			40	71656	71656	KIT, CHARGE PUMP	1	37,39,41,86
44			71361	71361	KIT, CHARGE RELIEF	1	44	
56			53814	53814	SCREW, 5/16-18 X 1.125 LG.	2	56	
58	71059	71059	KIT, HSG BOLT	1	58			



PW-SERVICE SCHEMATIC
(BDP-21L)

MODEL NUMBER:

P	W
1	2

 -

*			
3	4	5	6

 -

*			
7	8	9	10

 -

*			
11	12	13	14

END CAP & CHARGE PUMP KITS

CHAR 7	ITEM #	PART# ON OR AFTER S/N 0216PXXXXX	PART# BEFORE S/N 0216PXXXXX	DESCRIPTION	QTY	CONTAINS ITEMS
J	25A	72172	- - - - -	KIT, ENDCAP - AUX CHARGE	1	25,151
	25B	- - - - -	72177	KIT, ENDCAP - AUX CHARGE	1	25, 38, 151
	29**	- - - - -	51764	VALVE PLATE	1	29
	38	72159	- - - - -	KIT, CYLINDER BLOCK (21cc)	1	38
	40	70472	70472	KIT, CHARGE PUMP	1	39,41,44,45,66,67,69,71,72,73,75,168
	44	70471	70471	KIT, CHARGE RELIEF	1	44
P	25A	72172	- - - - -	KIT, ENDCAP - AUX CHARGE	1	25,151
	25B	- - - - -	72177	KIT, ENDCAP - AUX CHARGE	1	25, 38, 151
	29**	- - - - -	51764	VALVE PLATE	1	29
	38	72159	- - - - -	KIT, CYLINDER BLOCK (21cc)	1	38
	40	70387	70387	KIT, CHARGE PUMP	1	39,41,44,45,66,67,69,71,72,73,75,168
	44	2510081	2510081	KIT, CHARGE RELIEF	1	44
Q	25A	72172	- - - - -	KIT, ENDCAP - AUX CHARGE	1	25,151
	25B	- - - - -	72177	KIT, ENDCAP - AUX CHARGE	1	25, 38, 151
	29**	- - - - -	51764	VALVE PLATE	1	29
	38	72159	- - - - -	KIT, CYLINDER BLOCK (21cc)	1	38
	40	70927	70927	KIT, CHARGE PUMP	1	39,41,44,45,66,67,69,71,72,73,75,168
	44	70926	70926	KIT, CHARGE RELIEF	1	44

COMMON ALUMINUM AUX MANIFOLD TYPE PARTS

CHAR 7	CHAR 12	ITEM #	PART# ON OR AFTER S/N 0216PXXXXX	PART# BEFORE S/N 0216PXXXXX	DESCRIPTION	QTY	CONTAINS ITEMS
J,P,Q	X,2	45	2510082	2510082	KIT, AUX RELIEF VALVE	1	45
		54	2510090	2510090	KIT, AUX FILTER	1	71,72
		66	9005110-3100	9005110-3100	PLUG, 5/16-24 STEEL	1	66
		67	53070	53070	FILTER COVER	1	67
		56	51055	51055	FH SCREW 5/16-18 x 2.5 LG	2	56
		58	71059	71059	KIT, HSG BOLT	1	58
		69	50408	50408	PIN, DOWEL	2	69
		158	9005110-4400	9005110-4400	PLUG, 7/16-24 STEEL	1	158
	2	168	51359	51359	CONNECTOR, -4 SAE TO -6 37° SAE STR THD	2	168

END CAP & CHARGE PUMP KITS

CHAR 7	ITEM #	PART# ON OR AFTER S/N 0216PXXXXX	PART# BEFORE S/N 0216PXXXXX	DESCRIPTION	QTY	CONTAINS ITEMS
Y	25A	72172	- - - - -	KIT, ENDCAP - AUX CHARGE	1	25,151
	25B	- - - - -	72177	KIT, ENDCAP - AUX CHARGE	1	25, 38, 151
	29**	- - - - -	51764	VALVE PLATE	1	29
	38	72159	- - - - -	KIT, CYLINDER BLOCK (21cc)	1	38
	40	2510074	2510074	KIT, CHARGE PUMP (SPLINED, CW)	1	39,41,44,49,69,73,75
Z	25A	72172	- - - - -	KIT, ENDCAP - AUX CHARGE	1	25,151
	25B	- - - - -	72177	KIT, ENDCAP - AUX CHARGE	1	25, 38, 151
	29**	- - - - -	51764	VALVE PLATE	1	29
	38	72159	- - - - -	KIT, CYLINDER BLOCK (21cc)	1	38
	40	2510075	2510075	KIT, CHARGE PUMP (SPLINED, CCW)	1	39,41,44,49,69,73,75



PW-SERVICE SCHEMATIC
(BDP-21L)

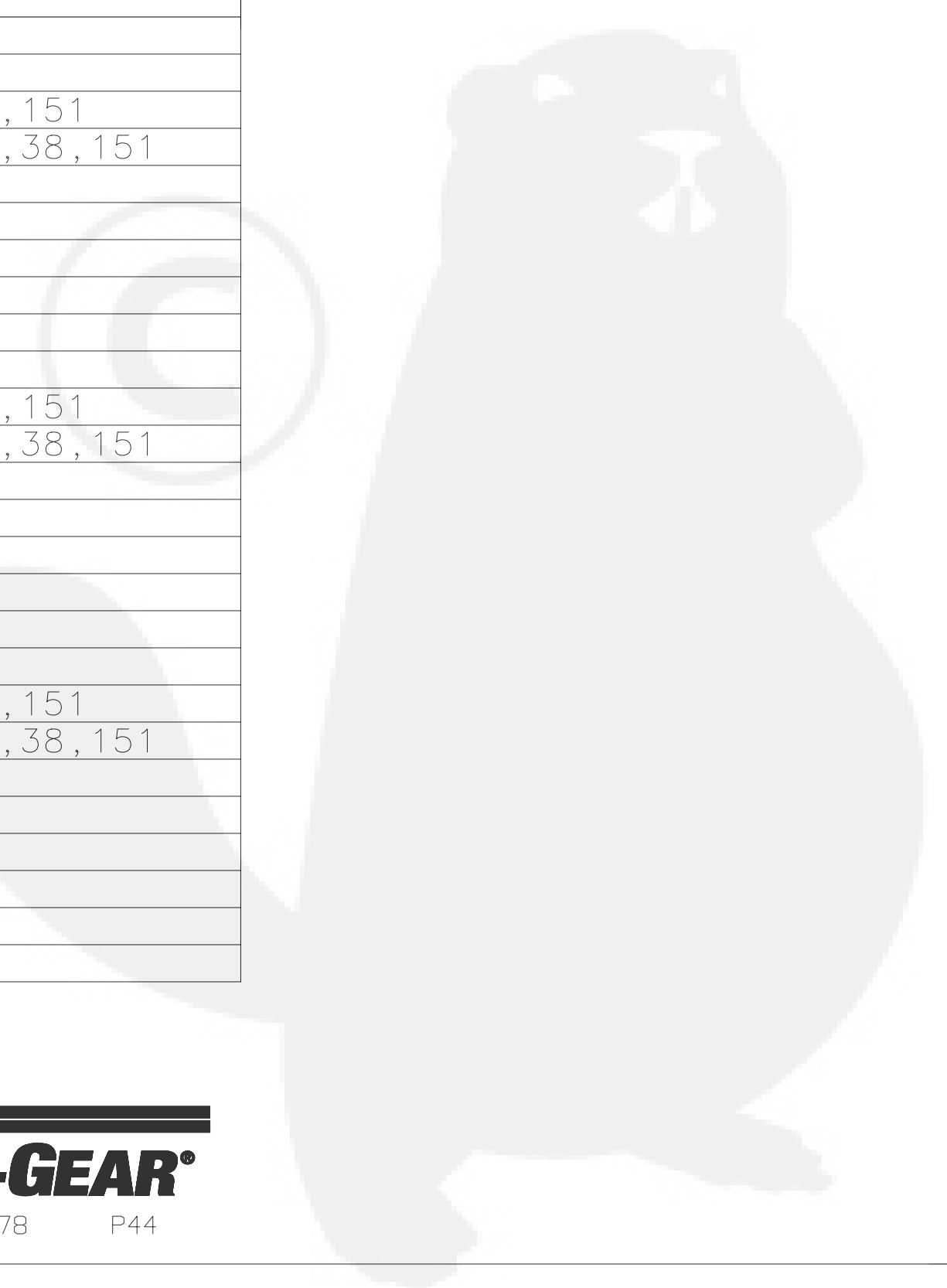
MODEL NUMBER: P W - * - * - *
CHARACTER #: 1 2 - 3 4 5 6 - 7 8 9 10 - 11 12 13 14

COMMON CAST IRON AUX MANIFOLD TYPE PARTS

CHAR 7	CHAR 12	ITEM #	PART# ON OR AFTER S/N 0216PXXXXX	PART# BEFORE S/N 0216PXXXXX	DESCRIPTION	QTY	CONTAINS ITEMS
Y,Z	X	44	2510061	2510061	KIT, CHARGE RELIEF	1	44
		49	2510020	2510020	KIT, AUX BYPASS/CHECK	1	49
		56	9007200-3123	9007200-3123	HEX HD SCREW, 5/16-18 x 1.375 LG	2	56
		58	71059	71059	KIT, HSG BOLT	1	58
		69	50408	50408	PIN, DOWEL	2	69

END CAP & CHARGE PUMP KITS

CHAR 3	CHAR 7	ITEM #	PART# ON OR AFTER S/N 0216PXXXXX	PART# BEFORE S/N 0216PXXXXX	DESCRIPTION	QTY	CONTAINS ITEMS	
P,T,7, W,Y	1	25A	72173	- - - - -	KIT, ENDCAP - TANDEM	1	25,151	
		25B	- - - - -	72178	KIT, ENDCAP - TANDEM	1	25,38,151	
		29**	- - - - -	51764	VALVE PLATE	1	29	
		38	72159	- - - - -	KIT, CYLINDER BLOCK (21cc)	1	38	
		39	51016	51016	O-RING	1	39	
		55	51536	51536	PLATE, ADAPTER (GEAR AA)	1	55	
		58	51826	51826	BOLT, HEX FLANGE M10 X 1.5 X 90	4	58	
		80	9004800-2506	9004800-2506	PIN, HEADLESS	2	80	
		2	25A	72173	- - - - -	KIT, ENDCAP - TANDEM	1	25,151
			25B	- - - - -	72178	KIT, ENDCAP - TANDEM	1	25,38,151
			29**	- - - - -	51764	VALVE PLATE	1	29
			38	72159	- - - - -	KIT, CYLINDER BLOCK (21cc)	1	38
			39	51016	51016	O-RING	1	39
			55	51887	51887	PLATE, ADAPTER (GEAR A)	1	55
	58		51826	51826	BOLT, HEX FLANGE M10 X 1.5 X 90	4	58	
	80	9004800-2506	9004800-2506	PIN, HEADLESS	2	80		
D,U,6	3	25A	72173	- - - - -	KIT, ENDCAP - TANDEM	1	25,151	
		25B	- - - - -	72178	KIT, ENDCAP - TANDEM	1	25,38,151	
		29**	- - - - -	51764	VALVE PLATE	1	29	
		38	72159	- - - - -	KIT, CYLINDER BLOCK (21cc)	1	38	
		39	51016	51016	O-RING	1	39	
		55	51272	51272	PLATE, ADAPTER (TANDEM)	1	55	
		58	51826	51826	BOLT, HEX FLANGE M10 X 1.5 X 90	4	58	
		80	9004800-2506	9004800-2506	PIN, HEADLESS	2	80	
		4	25A	72173	- - - - -	KIT, ENDCAP - TANDEM	1	25,151
			25B	- - - - -	72178	KIT, ENDCAP - TANDEM	1	25,38,151
			29**	- - - - -	51764	VALVE PLATE	1	29
			38	72159	- - - - -	KIT, CYLINDER BLOCK (21cc)	1	38
			39	51016	51016	O-RING	1	39
			55	51560	51560	PLATE, ADAPTER	1	55
	58		51826	51826	BOLT, HEX FLANGE M10 X 1.5 X 90	4	58	
	80	9004800-2506	9004800-2506	PIN, HEADLESS	2	80		



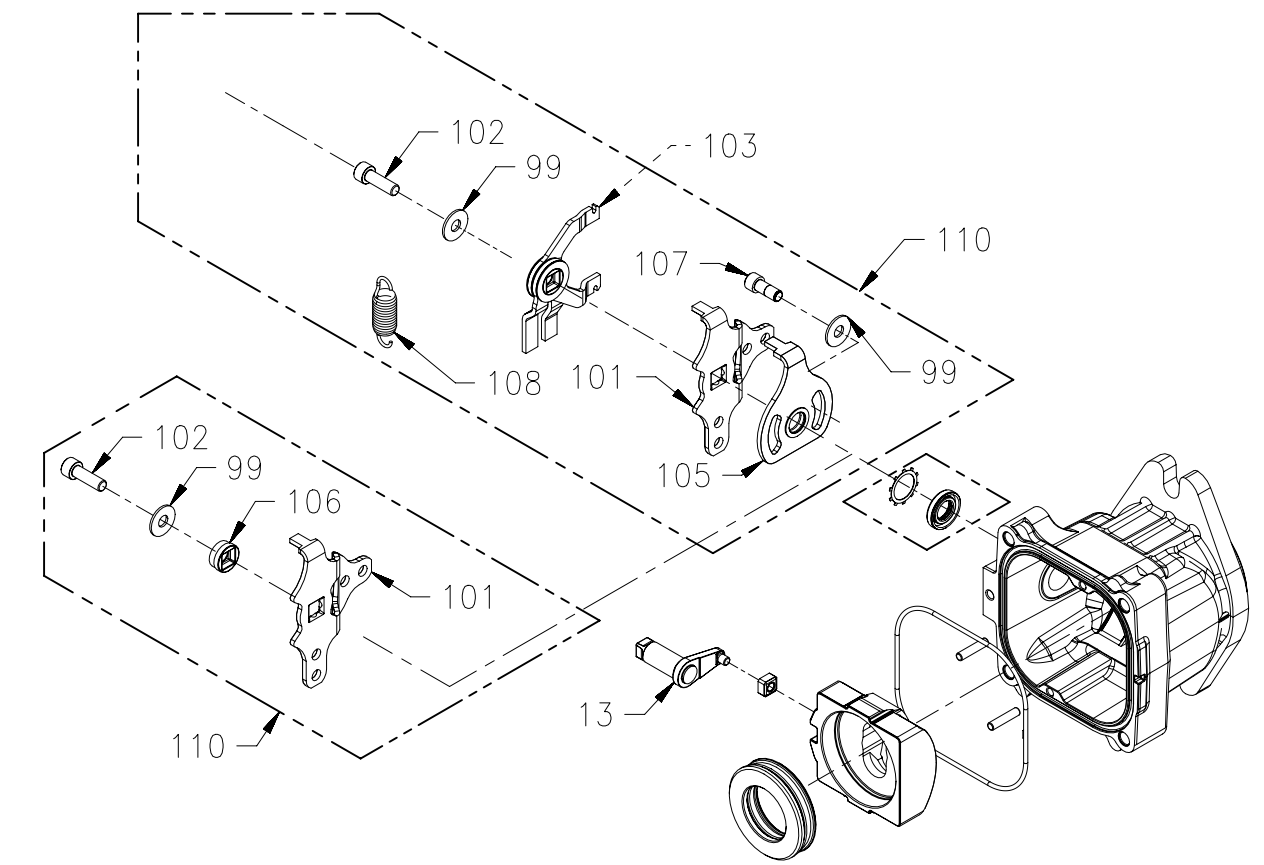
PW-SERVICE SCHEMATIC (BDP-21L)

MODEL NUMBER:

P	W	-				-		*			-					
1	2	-	3	4	5	6	-	7	8	9	10	-	11	12	13	14

TRUNNION ARMS AND RETURN KITS

CHAR 8	ITEM #	COMPONENT #	DESCRIPTION	QTY	CONTAINS ITEMS:
A, B	13	51596	TRUNNION ARM, TAPER SQUARE	1	13
	110	70869	KIT, RETURN	1	99, 101, 102, 103, 105, 107, 108
C, D	13	51596	TRUNNION ARM, TAPER SQUARE	1	13
	110	70870	KIT, RETURN	1	99, 101, 102, 103, 105, 107, 108
E, F	13	51596	TRUNNION ARM, TAPER SQUARE	1	13
	110	70871	KIT, RETURN	1	99, 101, 102, 103, 105, 107, 108
G, H	13	51596	TRUNNION ARM, TAPER SQUARE	1	13
	110	70872	KIT, RETURN	1	99, 101, 102, 103, 105, 107, 108
J, K	13	51596	TRUNNION ARM, TAPER SQUARE	1	13
	110	70873	KIT, RETURN	1	99, 101, 102, 103, 105, 107, 108
L, M	13	51596	TRUNNION ARM, TAPER SQUARE	1	13
	110	70874	KIT, RETURN	1	99, 101, 102, 103, 105, 107, 108
N, P	13	51596	TRUNNION ARM, TAPER SQUARE	1	13
	110	71034	KIT, RETURN	1	99, 101, 102, 103, 105, 107, 108
Q, R	13	51596	TRUNNION ARM, TAPER SQUARE	1	13
	110	71035	KIT, RETURN	1	99, 101, 102, 103, 105, 107, 108
T, U	13	51596	TRUNNION ARM, TAPER SQUARE	1	13
	110	71036	KIT, RETURN	1	99, 101, 102, 103, 105, 107, 108
V, W	13	51596	TRUNNION ARM, TAPER SQUARE	1	13
	110	70899	KIT, RETURN	1	99, 101, 102, 106
Y	13	2000014	TRUNNION ARM, DOUBLE D	1	13
1	13	51596	TRUNNION ARM, TAPER SQUARE	1	13



PW-SERVICE SCHEMATIC (BDP-21L)

MODEL NUMBER:

P	W
1	2

 -

3	4	5	6

 -

	*	*	
7	8	9	10

 -

*			
11	12	13	14

CHARACTER #:

1	2		

 -

3	4	5	6

 -

	*	*	
7	8	9	10

 -

*			
11	12	13	14

BYPASS VALVE KITS

CHAR 9	ITEM #	COMPONENT #	DESCRIPTION	QTY
1	50	2513030	KIT, BYPASS	1
2		2513031	KIT, BYPASS	1

FAN KITS

CHAR 10	ITEM #	COMPONENT #	DESCRIPTION	QTY	CONTAINS ITEMS:
X	90	N/A	N/A	0	NONE
A	90	71287	KIT, FAN 6" CW	1	81,82,83,84
B	90	71287	KIT, FAN 6" CW	1	81,82,83,84
	209	52016	BRACKET, SHROUD	1	209
C	90	71287	KIT, FAN 6" CW	1	81,82,83,84
	209	52016	BRACKET, SHROUD	1	209
	210	52059	SHROUD, FAN	1	210
D	90	71287	KIT, FAN 6" CW	1	81,82,83,84
	209	52016	BRACKET, SHROUD	1	209
E	90	71287	KIT, FAN 6" CW	1	81,82,83,84
	209	52016	BRACKET, SHROUD	1	209
	210	52059	SHROUD, FAN	1	210
1	90	70916	KIT, FAN 7" CCW	1	81,82,83,84
2	90	70618	KIT, FAN 6" CW	1	81,82,83,84
3	90	70675	KIT, FAN 7" CW	1	81,82,83,84
4	90	70888	KIT, FAN 7" CW	1	81,82,83,84
F	90	70888	KIT, FAN 7" CW	1	81,82,83,84
	209	52355	BRACKET, SHROUD	1	209
G	90	70888	KIT, FAN 7" CW	1	81,82,83,84
	209	52355	BRACKET, SHROUD	1	209
	210	52354	SHROUD, FAN	1	210
H	90	70888	KIT, FAN 7" CW	1	81,82,83,84
	209	52355	BRACKET, SHROUD	1	209
J	90	70888	KIT, FAN 7" CW	1	81,82,83,84
	209	52355	BRACKET, SHROUD	1	209
	210	52354	SHROUD, FAN	1	210
K	90	70916	KIT, FAN 7" CCW	1	81,82,83,84
	209	52355	BRACKET, SHROUD	1	209
	210	52354	SHROUD, FAN	1	210

TORQUE BRACKET

CHAR 11	ITEM #	COMPONENT #	DESCRIPTION	QTY
X	60	N/A	N/A	0
1,2,3,4 & 7		51593	MOUNTING BRACKET	1

