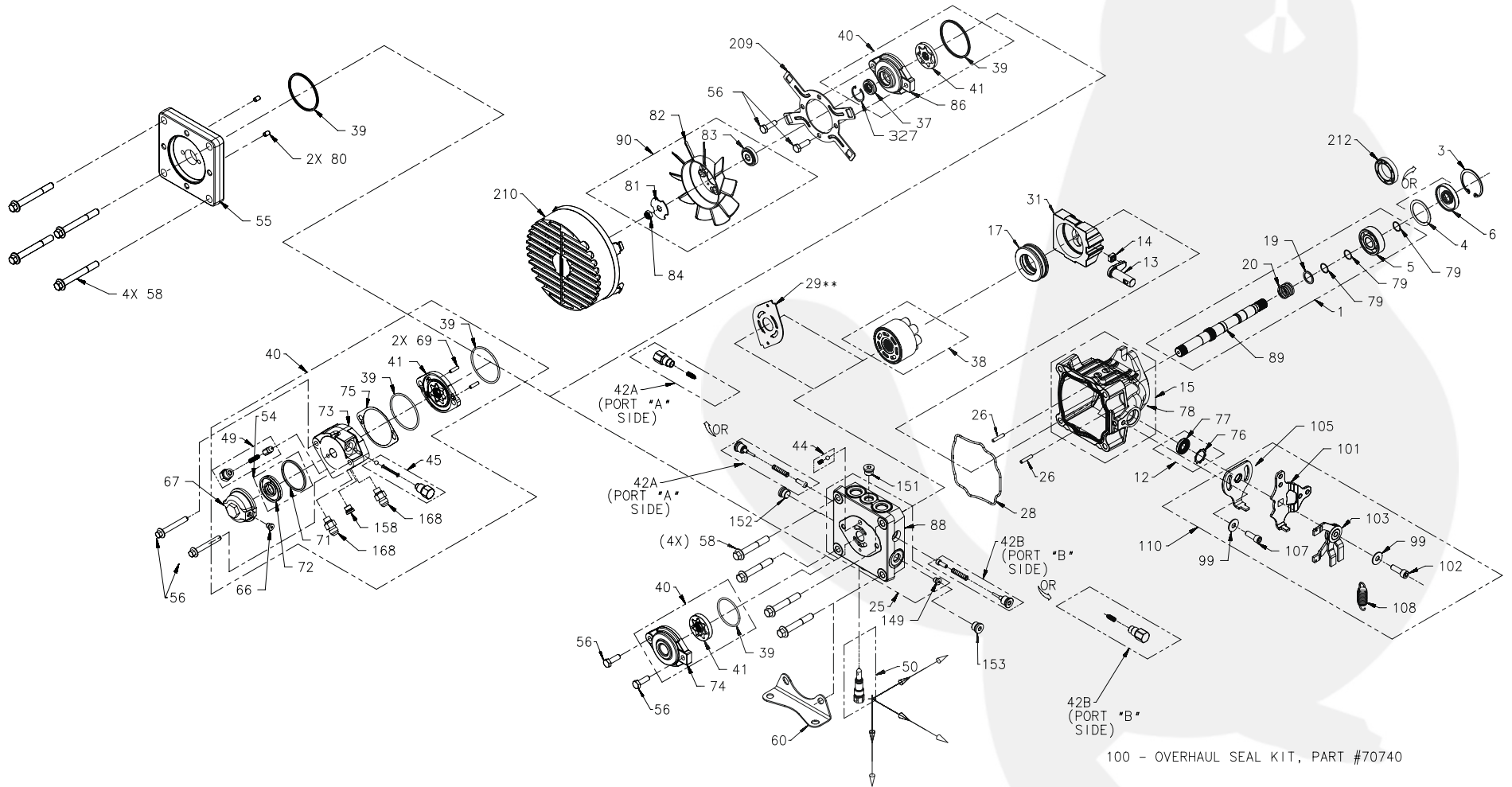


PR SERIES SERVICE SCHEMATIC (P-16A)



**MODELS BUILT AFTER AUGUST 4, 2010 [S/N 0216XXXX]
DO NOT INSTALL ITEM #29



PR SERIES SERVICE SCHEMATIC (P-16A)

PR SERIES CROSS REFERENCE MATRIX ***

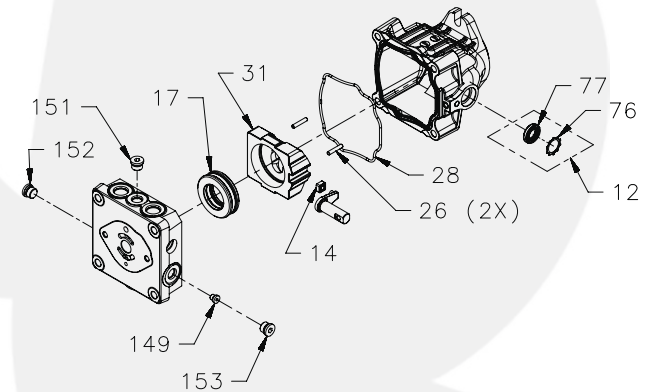
LEGACY MODEL NO. ***	REFERENCE REPLACEMENT MODEL NO. ****	PUMP SHAFT (KIT #1)	HOUSING (KIT #15)	ENDCAP (KIT #25B)	BYPASS VALVE (KIT #50)	CHECK VALVE RH(KIT #42A)	CHECK VALVE LH(KIT #42B)	TRUNNION ARM	CHARGE PUMP (KIT #40)	CHARGE RELIEF (KIT #44)	INPUT ROTATION	RTN (KIT #110)
BDP-16A-100	PR-1DNN-KY1X-XXXX	70581	70738	72166	2513030	2510050	2510050	LH	70470	70402	CW	
BDP-16A-105	PR-2DAA-GA11-XXXX	70578	70738	72166	2513030	70741	70741	LH	70924	70402	CW	70869
BDP-16A-200	PR-3ACC-EY1X-XXXX	70580	70738	72166	2513030	70743	70743	RH	70470	70402	CW	
BDP-16A-203	PR-1AAA-EY1X-XXXX	70581	70738	72166	2513030	70741	70741	RH	70470	70402	CW	
BDP-16A-301	PR-3JCC-EY1X-XXXX	70580	70738	72166	2513030	70743	70743	LH	2510080	70402	CCW	
BDP-16A-302	PR-5JCC-FY1X-X1XX	2510091	70738	72170	2513030	2510027	70743	LH	70924	70402	CCW	
BDP-16A-306	PR-1MCC-EY1X-XXXX	70581	70738	72166	2513030	70743	70743	LH	2510071	70402	CCW	
BDP-16A-307	PR-1JBC-EY1X-XXXX	70581	70738	72166	2513030	70742	70743	LH	2510071	70402	CCW	
BDP-16A-308	PR-1KCC-EY1X-XXXX	70581	70738	72166	2513030	70743	70743	LH	2510071	70402	CCW	
BDP-16A-312	PR-1KCC-EG1X-XXXX	70581	70738	72166	2513030	70743	70743	LH	2510071	70402	CCW	70872
BDP-16A-315	PR-2KDD-G11X-XXXX	70578	70738	72166	2513030	70744	70744	LH	70924	70402	CCW	
BDP-16A-401	PR-5GQC-FY1X-X1XX	2510091	70738	72170	2513030	2510027	70743	RH	70924	70402	CCW	
BDP-16A-407	PR-1HCC-EY1X-XXXX	70581	70738	72166	2513030	70743	70743	RH	2510071	70402	CCW	
BDP-16A-409	PR-1LCC-EY1X-XXXX	70581	70738	72169	2513030	70743	70743	RH	2510071	70402	CCW	
BDP-16A-410	PR-1HBC-EY1X-XXXX	70581	70738	72166	2513030	70742	70743	RH	2510071	70402	CCW	
BDP-16A-414	PR-1HCC-EG1X-XXXX	70581	70738	72166	2513030	70743	70743	RH	2510071	70402	CCW	70872
BDP-16A-416	PR-2HDD-G11X-XXXX	70578	70738	72166	2513030	70744	70744	RH	70924	70402	CCW	
BDP-16A-801	PR-1KCC-JY1X-XXXX	70581	70738	72167	2513030	70743	70743	LH	70472	70471	CCW	
BDP-16A-901	PR-1HCC-JA1X-XXXX	70581	70738	72167	2513030	70743	70743	RH	70472	70471	CCW	70869

*** SELECT SERVICE KITS FROM THIS SCHEDULE FOR MODELS BEGINNING WITH "BDP-16A-..." ONLY.

**** MODELS BEGINNING WITH "PR-...", SELECT SERVICE KITS FROM FOLLOWING SCHEDULES.

PR COMMON PARTS

CHAR 2	ITEM #	PART #	DESCRIPTION	QTY	CONTAINS ITEMS:
R	12	70739	KIT, TRUNNION SEAL	1	76, 77
	14	2000015	SLOT GUIDE	1	14
	17	51462	THRUST BALL BEARING ASSEMBLY	1	17
	26	50641	PIN, DOWEL	1	26
	28	54021	O-RING, HOUSING	1	28
	31	51436	SWASHPLATE	1	31
	100	70740	KIT, OVERHAUL SEAL	1	3, 6, 12, 28, 37, 39, 71, 75
	149	9005110-3100	PLUG, 5/16-24 STEEL	1	149
	151	9005110-5600	PLUG, 9/16-18 STEEL	1	151
	152	9005110-5600	PLUG, 9/16-18 STEEL	1	152
	153	9005110-5600	PLUG, 9/16-18 STEEL	1	153



PR SERIES SERVICE SCHEMATIC (P-16A)

INPUT SHAFT AND HOUSING KITS

MODEL NUMBER:

P	R
1	2

 -

*			
3	4	5	6

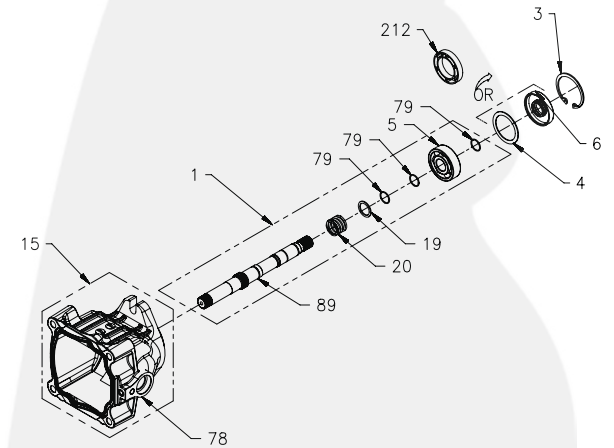
 -

7	8	9	10

 -

11	12	13	14

CHARACTER 3	ITEM #	PART #	DESCRIPTION	QTY	CONTAINS ITEMS:
C	1	71283	KIT, INPUT SHAFT (11T SPLINE)	1	5,19,20,79,89
	15	70965	KIT, HOUSING	1	78
D	1	71284	KIT, INPUT SHAFT (7/8" KEYED)	1	5,19,20,79,89
	15	70965	KIT, HOUSING	1	78
M	1	71280	KIT, INPUT SHAFT (11 TOOTH)	1	5,19,20,79,89
	15	70965	KIT, HOUSING	1	78
N	1	71285	KIT, INPUT SHAFT(9T/11T SPLINE)	1	5,19,20,79,89
	15	70965	KIT, HOUSING	1	78
P	1	70754	KIT, INPUT SHAFT (7/8 KEYED, PT 13-32 SPLINE)	1	5,19,20,79,89
	15	70965	KIT, HOUSING	1	78
T	1	70753	KIT, INPUT SHAFT (13T 16/32, 9T 16/32 SPLINE)	1	5,19,20,79,89
	15	70965	KIT, HOUSING	1	78
U	1	70605	KIT, INPUT SHAFT (13T 16/32 SPLINE)	1	5,19,20,79,89
	15	70965	KIT, HOUSING	1	78
V	1	70607	KIT, INPUT SHAFT (20T 32/64 TO 20T 32/64, CHG AUX)	1	5,19,20,79,89
	15	70966	KIT, HOUSING	1	78
W	1	71021	KIT, INPUT SHAFT (20T 32/64 TO 9T 32/64, A-PAD)	1	5,19,20,79,89
	15	70966	KIT, HOUSING	1	78
Y	1	71020	KIT, INPUT SHAFT (20T 32/64 TO 9T 20/40, A-PAD)	1	5,19,20,79,89
	15	70966	KIT, HOUSING	1	78
1	1	70581	KIT, INPUT SHAFT (17mm KEYED)	1	5,19,20,79,89
	15	70966	KIT, HOUSING	1	78
2	1	70578	KIT, INPUT SHAFT (17mm KEYED THRU)	1	5,19,20,79,89
	15	70966	KIT, HOUSING	1	78
3	1	70580	KIT, INPUT SHAFT (19T 32/64 SPLINE)	1	5,19,20,79,89
	15	70966	KIT, HOUSING	1	78
4	1	71019	KIT, INPUT SHAFT (17mm KEYED TAPERED)	1	5,19,20,79,89
	15	70966	KIT, HOUSING	1	78
5	1	2510091	KIT, INPUT SHAFT (17mm KEYED TAPERED, THRU)	1	5,19,20,79,89
	15	70966	KIT, HOUSING	1	78
6	1	70606	KIT, INPUT SHAFT (7/8 TAPERED KEYED, 20T 32/64 SPLINE)	1	5,19,20,79,89
	15	70965	KIT, HOUSING	1	78
7	1	70713	KIT, INPUT SHAFT (17mm KEYED, 9T 20/40 AA-PAD)	1	5,19,20,79,89
	15	70966	KIT, HOUSING	1	78
A	1	71364	KIT, INPUT SHAFT (7/8" KEYED)	1	5,19,20,79,89
	15	70965	KIT, HOUSING	1	78
J	1	71689	KIT, INPUT SHAFT (7/8 KEYED, THRU)	1	5,19,20,79,89
	15	70965	KIT, HOUSING	1	78



CHAR 3	ITEM #	PART #	DESCRIPTION	QTY
1,2,3,4,5,7	3	2000038	RETAINING RING	1
	4	2000023	SPACER	1
	6	51092	LIP SEAL 17 X 47 X 8 PTCN1	1
A,C,D,J,M,N,P,T,U,6	3	52650	RETAINING RING	1
	4	51279	SPACER	1
	6	51280	LIP SEAL 17 X 47 X 8 PTCN1	1
V,W,Y	3	2000038	RETAINING RING	1
	212	52408	SPACER	1
	6	N/A		



PR SERIES SERVICE SCHEMATIC (P-16A)

MODEL NUMBER:

P	R
1	2

 -

	*	*
3	4	6

 -

7	8	10

 -

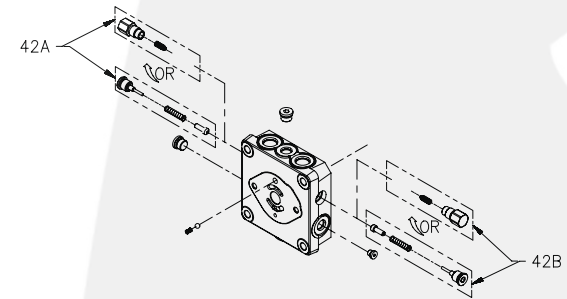
11	12	14

SHOCK VALVE KITS, "A" SIDE

CHARACTER 5	ITEM #	PART #	DESCRIPTION	QTY
A	42A	70741	KIT, SHOCK VALVE (200 BAR, BLANK ORIFICE)	1
B		70742	KIT, SHOCK VALVE (200 BAR, .024 ORIFICE)	1
C		70743	KIT, SHOCK VALVE (200 BAR, .031 ORIFICE)	1
D		70744	KIT, SHOCK VALVE (200 BAR, .044 ORIFICE)	1
E		70836	KIT, SHOCK VALVE (160 BAR, BLANK ORIFICE)	1
F		70837	KIT, SHOCK VALVE (160 BAR, .024 ORIFICE)	1
G		70838	KIT, SHOCK VALVE (160 BAR, .031 ORIFICE)	1
H		70839	KIT, SHOCK VALVE (160 BAR, .044 ORIFICE)	1
J		70840	KIT, SHOCK VALVE (120 BAR, BLANK ORIFICE)	1
K		70841	KIT, SHOCK VALVE (120 BAR, .024 ORIFICE)	1
L		70842	KIT, SHOCK VALVE (120 BAR, .031 ORIFICE)	1
M		70843	KIT, SHOCK VALVE (120 BAR, .044 ORIFICE)	1
N		2510050	KIT, CHECK VALVE (BLANK ORIFICE)	1
P		2510062	KIT, CHECK VALVE (.024 ORIFICE)	1
Q		2510034	KIT, CHECK VALVE (.044 ORIFICE)	1
R		2510027	KIT, CHECK VALVE (.031 ORIFICE)	1

SHOCK VALVE KITS, "B" SIDE

CHARACTER 6	ITEM #	PART #	DESCRIPTION	QTY
A	42B	70741	KIT, SHOCK VALVE (200 BAR, BLANK ORIFICE)	1
B		70742	KIT, SHOCK VALVE (200 BAR, .024 ORIFICE)	1
C		70743	KIT, SHOCK VALVE (200 BAR, .031 ORIFICE)	1
D		70744	KIT, SHOCK VALVE (200 BAR, .044 ORIFICE)	1
E		70836	KIT, SHOCK VALVE (160 BAR, BLANK ORIFICE)	1
F		70837	KIT, SHOCK VALVE (160 BAR, .024 ORIFICE)	1
G		70838	KIT, SHOCK VALVE (160 BAR, .031 ORIFICE)	1
H		70839	KIT, SHOCK VALVE (160 BAR, .044 ORIFICE)	1
J		70840	KIT, SHOCK VALVE (120 BAR, BLANK ORIFICE)	1
K		70841	KIT, SHOCK VALVE (120 BAR, .024 ORIFICE)	1
L		70842	KIT, SHOCK VALVE (120 BAR, .031 ORIFICE)	1
M		70843	KIT, SHOCK VALVE (120 BAR, .044 ORIFICE)	1
N		2510050	KIT, CHECK VALVE (BLANK ORIFICE)	1
P		2510062	KIT, CHECK VALVE (.024 ORIFICE)	1
Q		2510034	KIT, CHECK VALVE (.044 ORIFICE)	1
R		2510027	KIT, CHECK VALVE (.031 ORIFICE)	1



PR SERIES SERVICE SCHEMATIC (P-16A)

MODEL NUMBER:

P	R	-	*	*	*	*
1	2	-	3	4	5	6

 -

*	*	*	*
7	8	9	10

 -

*	*	*	*
11	12	13	14

CHARACTER #:

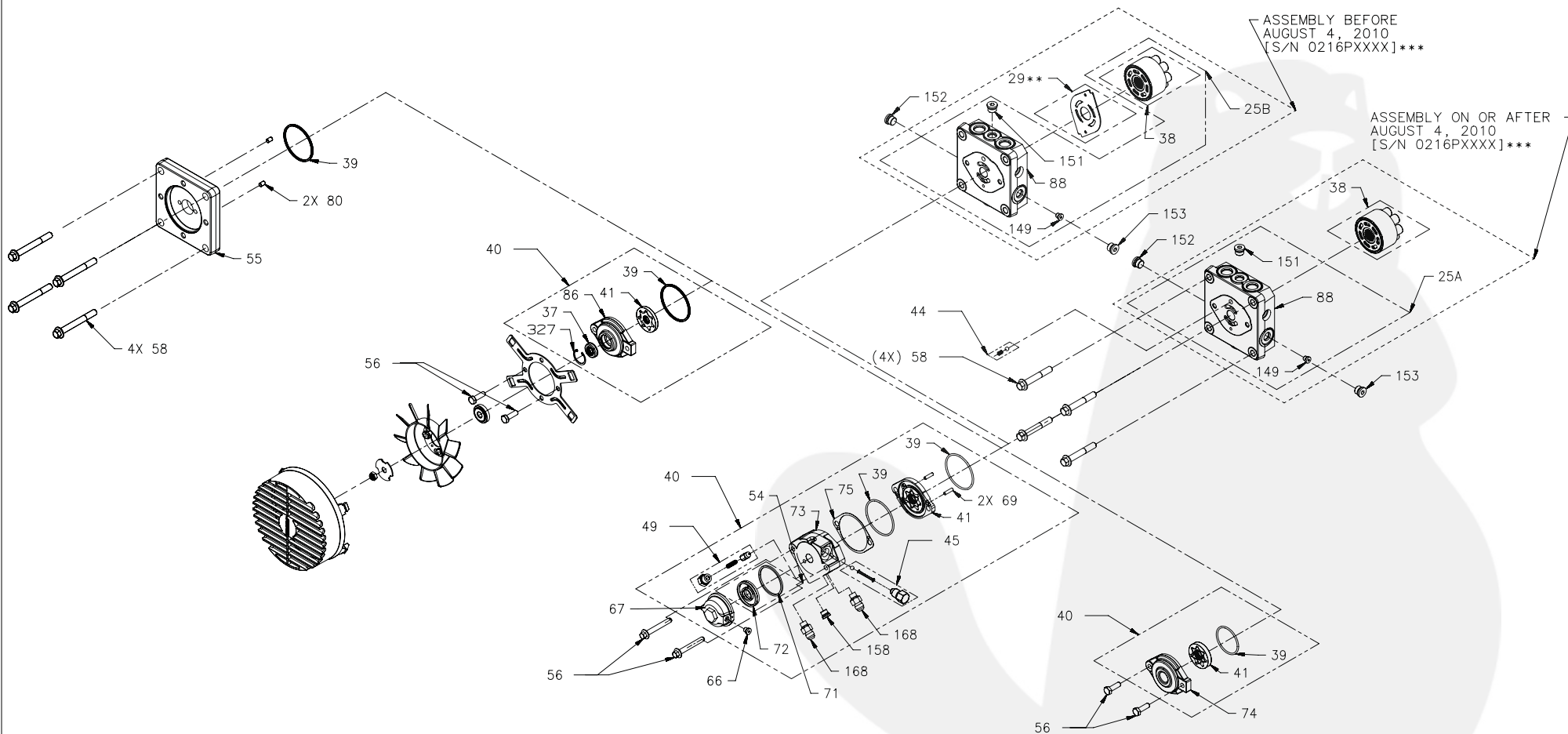
P	R	-	*	*	*	*
1	2	-	3	4	5	6

 -

*	*	*	*
7	8	9	10

 -

*	*	*	*
11	12	13	14



NOTES:

**MODELS BUILT AFTER AUGUST 4, 2010 [S/N 0216PXXXX]
DO NOT INSTALL ITEM #29

IMPORTANT:

DAMAGE TO MAJOR PUMP COMPONENTS WILL OCCUR IF ITEM #29 (VALVE PLATE) IS INSTALLED IN AUGUST 4, 2010 OR LATER MODELS OR WITH REPLACEMENT ENDCAP KITS, ITEM #25A OR 25B. ITEM #29, EITHER NEW OR USED, MAY ONLY BE INSTALLED WITH ITS ORIGINAL ENDCAP.

*** NOTE: HOW TO READ BAR CODE LABEL SERIAL NUMBER DATE CODE
EX. OXXXXPXXXX CHARACTER 1 = YEAR(2010), CHARACTERS 2, 3, & 4 ARE 1234
JULIAN DATE CODE 001 THRU 365 (001 = JAN 1; 216 = AUG 4; 365 = DEC 31)



PR SERIES SERVICE SCHEMATIC (P-16A)

MODEL NUMBER:

P	R
1	2

 -

*			
3	4	5	6

 -

*			
7	8	9	10

 -

*			
11	12	13	14

END CAP & CHARGE PUMP KITS

CHAR 7	CHAR 4	CHAR 12	ITEM #	PART# ON OR AFTER S/N 0216PXXXXX	PART# BEFORE S/N 0216PXXXXX	DESCRIPTION	QTY	CONTAINS ITEMS
E	A THRU D, G THRU K	X	25A	72161	- - - - -	KIT, ENDCAP - STD	1	88,149,151
			25B	- - - - -	72166	KIT, ENDCAP - STD	1	38,88,149,151
			29**	- - - - -	52371	VALVE PLATE	1	29
			38	72158	- - - - -	KIT, CYLINDER BLOCK (16cc)	1	38
			40	2510071	2510071	KIT, CHARGE PUMP	1	39,41,74
			44	70402	70402	KIT, CHARGE RELIEF	1	44
			56	50173	50173	SCREW, M8 X 1.25 X 25mm LONG	2	56
			58	51457	51457	HEX SCREW, FH M10 X 65mm	4	58
	E,F,L,M	X	25A	72164	- - - - -	KIT, ENDCAP - TOP CASE DRAIN	1	88,149,151
			25B	- - - - -	72169	KIT, ENDCAP - TOP CASE DRAIN	1	38,88,149,151
			29**	- - - - -	52371	VALVE PLATE	1	29
			38	72158	- - - - -	KIT, CYLINDER BLOCK (16cc)	1	38
			40	2510071	2510071	KIT, CHARGE PUMP	1	39,41,74
			44	70402	70402	KIT, CHARGE RELIEF	1	44
			56	50173	50173	SCREW, M8 X 1.25 X 25mm LONG	2	56
			58	51457	51457	HEX SCREW, FH M10 X 65mm	4	58
	T,U,V,W	X	25A	72161	- - - - -	KIT, ENDCAP - STD	1	88,149,151
			25B	- - - - -	72166	KIT, ENDCAP - STD	1	38,88,149,151
			29**	- - - - -	52371	VALVE PLATE	1	29
			38	72158	- - - - -	KIT, CYLINDER BLOCK (16cc)	1	38
			40	2510071	2510071	KIT, CHARGE PUMP	1	39,41,74
			44	70402	70402	KIT, CHARGE RELIEF	1	44
			56	50173	50173	SCREW, M8 X 1.25 X 25mm LONG	2	56
			58	51457	51457	HEX SCREW, FH M10 X 65mm	4	58
G	A THRU D, G THRU K	X	25A	72161	- - - - -	KIT, ENDCAP - STD	1	88,149,151
			25B	- - - - -	72166	KIT, ENDCAP - STD	1	38,88,149,151
			29**	- - - - -	52371	VALVE PLATE	1	29
			38	72158	- - - - -	KIT, CYLINDER BLOCK (16cc)	1	38
			40	70924	70924	KIT, CHARGE PUMP	1	37,39,41,86,327
			44	70402	70402	KIT, CHARGE RELIEF	1	44
			56	50173	50173	SCREW, M8 X 1.25 X 25mm LONG	2	56
			58	51457	51457	HEX SCREW, FH M10 X 65mm	4	58
	E,F,L,M	X	25A	72164	- - - - -	KIT, ENDCAP - TOP CASE DRAIN	1	88,149,151
			25B	- - - - -	72169	KIT, ENDCAP - TOP CASE DRAIN	1	38,88,149,151
			29**	- - - - -	52371	VALVE PLATE	1	29
			38	72158	- - - - -	KIT, CYLINDER BLOCK (16cc)	1	38
			40	70924	70924	KIT, CHARGE PUMP	1	37,39,41,86,327
			44	70402	70402	KIT, CHARGE RELIEF	1	44
			56	50173	50173	SCREW, M8 X 1.25 X 25mm LONG	2	56
			58	51457	51457	HEX SCREW, FH M10 X 65mm	4	58
	T,U,V,W	X	25A	72161	- - - - -	KIT, ENDCAP - STD	1	88,149,151
			25B	- - - - -	72166	KIT, ENDCAP - STD	1	38,88,149,151
			29**	- - - - -	52371	VALVE PLATE	1	29
			38	72158	- - - - -	KIT, CYLINDER BLOCK (16cc)	1	38
			40	70924	70924	KIT, CHARGE PUMP	1	37,39,41,86,327
			44	70402	70402	KIT, CHARGE RELIEF	1	44
			56	50173	50173	SCREW, M8 X 1.25 X 25mm LONG	2	56
			58	51457	51457	HEX SCREW, FH M10 X 65mm	4	58



PR SERIES SERVICE SCHEMATIC (P-16A)

MODEL NUMBER:

P	R
1	2

 -

*			
3	4	5	6

 -

*			
7	8	9	10

 -

*			
11	12	13	14

END CAP & CHARGE PUMP KITS

CHAR 7	CHAR 4	CHAR 12	ITEM #	PART# ON OR AFTER S/N 0216PXXXXX	PART# BEFORE S/N 0216PXXXXX	DESCRIPTION	QTY	CONTAINS ITEMS		
U	A THRU D, G THRU K	X	25A	72161	- - - - -	KIT, ENDCAP - STD	1	88,149,151		
			25B	- - - - -	72166	KIT, ENDCAP - STD	1	38,88,149,151		
			29**	- - - - -	52371	VALVE PLATE	1	29		
			38	72158	- - - - -	KIT, CYLINDER BLOCK (16cc)	1	38		
			40	70924	70924	KIT, CHARGE PUMP	1	37,39,41,86,327		
			44	71361	71361	KIT, CHARGE RELIEF	1	44		
			56	50173	50173	SCREW, M8 X 1.25 X 25mm LONG	2	56		
			58	51457	51457	HEX SCREW, FH M10 X 65mm	4	58		
			25A	72164	- - - - -	KIT, ENDCAP - TOP CASE DRAIN	1	88,149,151		
			25B	- - - - -	72169	KIT, ENDCAP - TOP CASE DRAIN	1	38,88,149,151		
			29**	- - - - -	52371	VALVE PLATE	1	29		
			38	72158	- - - - -	KIT, CYLINDER BLOCK (16cc)	1	38		
	40	70924	70924	KIT, CHARGE PUMP	1	37,39,41,86,327				
	44	71361	71361	KIT, CHARGE RELIEF	1	44				
	56	50173	50173	SCREW, M8 X 1.25 X 25mm LONG	2	56				
	58	51457	51457	HEX SCREW, FH M10 X 65mm	4	58				
	T,U,V,W	X	25A	72161	- - - - -	KIT, ENDCAP - STD	1	88,149,151		
			25B	- - - - -	72166	KIT, ENDCAP - STD	1	38,88,149,151		
			29**	- - - - -	52371	VALVE PLATE	1	29		
			38	72158	- - - - -	KIT, CYLINDER BLOCK (16cc)	1	38		
			40	70924	70924	KIT, CHARGE PUMP	1	37,39,41,86,327		
			44	71361	71361	KIT, CHARGE RELIEF	1	44		
			56	50173	50173	SCREW, M8 X 1.25 X 25mm LONG	2	56		
			58	51457	51457	HEX SCREW, FH M10 X 65mm	4	58		
K			A THRU D, G THRU K	X	25A	72161	- - - - -	KIT, ENDCAP - STD	1	88,149,151
					25B	- - - - -	72166	KIT, ENDCAP - STD	1	38,88,149,151
					29**	- - - - -	52371	VALVE PLATE	1	29
					38	72158	- - - - -	KIT, CYLINDER BLOCK (16cc)	1	38
	40	2510071			2510071	KIT, CHARGE PUMP	1	37,39,41,86		
	44	70403			70403	KIT, CHARGE RELIEF	1	44		
	56	50173			50173	SCREW, M8 X 1.25 X 25mm LONG	2	56		
	58	51457			51457	HEX SCREW, FH M10 X 65mm	4	58		
	25A	72164			- - - - -	KIT, ENDCAP - TOP CASE DRAIN	1	88,149,151		
	25B	- - - - -			72169	KIT, ENDCAP - TOP CASE DRAIN	1	38,88,149,151		
	29**	- - - - -			52371	VALVE PLATE	1	29		
	38	72158			- - - - -	KIT, CYLINDER BLOCK (16cc)	1	38		
	40	2510071	2510071	KIT, CHARGE PUMP	1	37,39,41,86				
	44	70403	70403	KIT, CHARGE RELIEF	1	44				
	56	50173	50173	SCREW, M8 X 1.25 X 25mm LONG	2	56				
	58	51457	51457	HEX SCREW, FH M10 X 65mm	4	58				
	T,U,V,W	X	25A	72161	- - - - -	KIT, ENDCAP - STD	1	88,149,151		
			25B	- - - - -	72166	KIT, ENDCAP - STD	1	38,88,149,151		
			29**	- - - - -	52371	VALVE PLATE	1	29		
			38	72158	- - - - -	KIT, CYLINDER BLOCK (16cc)	1	38		
			40	2510071	2510071	KIT, CHARGE PUMP	1	37,39,41,86		
			44	70403	70403	KIT, CHARGE RELIEF	1	44		
			56	50173	50173	SCREW, M8 X 1.25 X 25mm LONG	2	56		
			58	51457	51457	HEX SCREW, FH M10 X 65mm	4	58		



PR SERIES SERVICE SCHEMATIC (P-16A)

MODEL NUMBER:

P	R
1	2

 -

*			
3	4	5	6

 -

*			
7	8	9	10

 -

*			
11	12	13	14

END CAP & CHARGE PUMP KITS

CHAR 7	CHAR 4	CHAR 12	ITEM #	PART# ON OR AFTER S/N 0216PXXXXX	PART# BEFORE S/N 0216PXXXXX	DESCRIPTION	QTY	CONTAINS ITEMS	
F	G & J	1	25A	72165	- - - - -	KIT, ENDCAP - .031 ORIFICE	1	88,149,151	
			25B	- - - - -	72170	KIT, ENDCAP - .031 ORIFICE	1	38,88,149,151	
			29**	- - - - -	52371	VALVE PLATE	1	29	
			38	72158	- - - - -	KIT, CYLINDER BLOCK (16cc)	1	38	
			40	2510080	2510080	KIT, CHARGE PUMP	1	37,39,41,86,327	
			44	70402	70402	KIT, CHARGE RELIEF	1	44	
			56	50173	50173	SCREW, M8 X 1.25 X 25mm LONG	2	56	
			58	51457	51457	HEX SCREW, FH M10 X 65mm	4	58	
A THRU D, G THRU K	X	X	25A	72161	- - - - -	KIT, ENDCAP - STD	1	88,149,151	
			25B	- - - - -	72166	KIT, ENDCAP - STD	1	38,88,149,151	
			29**	- - - - -	52371	VALVE PLATE	1	29	
			38	72158	- - - - -	KIT, CYLINDER BLOCK (16cc)	1	38	
			40	2510071	2510071	KIT, CHARGE PUMP	1	39,41,74	
			44	71361	71361	KIT, CHARGE RELIEF	1	44	
			56	50173	50173	SCREW, M8 X 1.25 X 25mm LONG	2	56	
			58	51457	51457	HEX SCREW, FH M10 X 65mm	4	58	
T	E,F,L,M	X	25A	72164	- - - - -	KIT, ENDCAP - TOP CASE DRAIN	1	88,149,151	
			25B	- - - - -	72169	KIT, ENDCAP - TOP CASE DRAIN	1	38,88,149,151	
			29**	- - - - -	52371	VALVE PLATE	1	29	
			38	72158	- - - - -	KIT, CYLINDER BLOCK (16cc)	1	38	
			40	2510071	2510071	KIT, CHARGE PUMP	1	39,41,74	
			44	71361	71361	KIT, CHARGE RELIEF	1	44	
			56	50173	50173	SCREW, M8 X 1.25 X 25mm LONG	2	56	
			58	51457	51457	HEX SCREW, FH M10 X 65mm	4	58	
T,U,V,W	X	X	25A	72161	- - - - -	KIT, ENDCAP - STD	1	88,149,151	
			25B	- - - - -	72166	KIT, ENDCAP - STD	1	38,88,149,151	
			29**	- - - - -	52371	VALVE PLATE	1	29	
			38	72158	- - - - -	KIT, CYLINDER BLOCK (16cc)	1	38	
			40	2510071	2510071	KIT, CHARGE PUMP	1	39,41,74	
			44	71361	71361	KIT, CHARGE RELIEF	1	44	
			56	50173	50173	SCREW, M8 X 1.25 X 25mm LONG	2	56	
			58	51457	51457	HEX SCREW, FH M10 X 65mm	4	58	
L	A THRU D, G THRU K	X	25A	72161	- - - - -	KIT, ENDCAP - STD	1	88,149,151	
			25B	- - - - -	72166	KIT, ENDCAP - STD	1	38,88,149,151	
			29**	- - - - -	52371	VALVE PLATE	1	29	
			38	72158	- - - - -	KIT, CYLINDER BLOCK (16cc)	1	38	
			40	70470	70470	KIT, CHARGE PUMP	1	37,39,41,86	
			44	70402	70402	KIT, CHARGE RELIEF	1	44	
			56	50173	50173	SCREW, M8 X 1.25 X 25mm LONG	2	56	
			58	51457	51457	HEX SCREW, FH M10 X 65mm	4	58	
	E,F,L,M	X	X	25A	72164	- - - - -	KIT, ENDCAP - TOP CASE DRAIN	1	88,149,151
				25B	- - - - -	72169	KIT, ENDCAP - TOP CASE DRAIN	1	38,88,149,151
				29**	- - - - -	52371	VALVE PLATE	1	29
				38	72158	- - - - -	KIT, CYLINDER BLOCK (16cc)	1	38
				40	70470	70470	KIT, CHARGE PUMP	1	37,39,41,86
				44	70402	70402	KIT, CHARGE RELIEF	1	44
				56	50173	50173	SCREW, M8 X 1.25 X 25mm LONG	2	56
				58	51457	51457	HEX SCREW, FH M10 X 65mm	4	58



PR SERIES SERVICE SCHEMATIC (P-16A)

MODEL NUMBER:

P	R
1	2

 -

*			
3	4	5	6

 -

*			
7	8	9	10

 -

*			
11	12	13	14

END CAP & CHARGE PUMP KITS

CHAR 7	CHAR 4	CHAR 12	ITEM #	PART# ON OR AFTER S/N 0216PXXXXX	PART# BEFORE S/N 0216PXXXXX	DESCRIPTION	QTY	CONTAINS ITEMS
M	A THRU D, G THRU K	X	25A	72161	- - - - -	KIT, ENDCAP - STD	1	88,149,151
			25B	- - - - -	72166	KIT, ENDCAP - STD	1	38,88,149,151
			29**	- - - - -	52371	VALVE PLATE	1	29
			38	72158	- - - - -	KIT, CYLINDER BLOCK (16cc)	1	38
			40	70470	70470	KIT, CHARGE PUMP	1	37,39,41,86
			44	70403	70403	KIT, CHARGE RELIEF	1	44
			56	50173	50173	SCREW, M8 X 1.25 X 25mm LONG	2	56
	58	51457	51457	HEX SCREW, FH M10 X 65mm	4	58		
	E,F,L,M	X	25A	72164	- - - - -	KIT, ENDCAP - TOP CASE DRAIN	1	88,149,151
			25B	- - - - -	72169	KIT, ENDCAP - TOP CASE DRAIN	1	38,88,149,151
			29**	- - - - -	52371	VALVE PLATE	1	29
			38	72158	- - - - -	KIT, CYLINDER BLOCK (16cc)	1	38
			40	70470	70470	KIT, CHARGE PUMP	1	37,39,41,86
			44	70403	70403	KIT, CHARGE RELIEF	1	44
56			50173	50173	SCREW, M8 X 1.25 X 25mm LONG	2	56	
58	51457	51457	HEX SCREW, FH M10 X 65mm	4	58			
R	A THRU D, G THRU K	X	25A	72161	- - - - -	KIT, ENDCAP - STD	1	88,149,151
			25B	- - - - -	72166	KIT, ENDCAP - STD	1	38,88,149,151
			29**	- - - - -	52371	VALVE PLATE	1	29
			38	72158	- - - - -	KIT, CYLINDER BLOCK (16cc)	1	38
			40	71367	71367	KIT, CHARGE PUMP	1	39,41,74
			44	52255	52255	KIT, CHARGE RELIEF	1	44
			56	50173	50173	SCREW, M8 X 1.25 X 25mm LONG	2	56
	58	51457	51457	HEX SCREW, FH M10 X 65mm	4	58		
	E,F,L,M	X	25A	72164	- - - - -	KIT, ENDCAP - TOP CASE DRAIN	1	88,149,151
			25B	- - - - -	72169	KIT, ENDCAP - TOP CASE DRAIN	1	38,88,149,151
			29**	- - - - -	52371	VALVE PLATE	1	29
			38	72158	- - - - -	KIT, CYLINDER BLOCK (16cc)	1	38
			40	71367	71367	KIT, CHARGE PUMP	1	39,41,74
			44	52255	52255	KIT, CHARGE RELIEF	1	44
			56	50173	50173	SCREW, M8 X 1.25 X 25mm LONG	2	56
	58	51457	51457	HEX SCREW, FH M10 X 65mm	4	58		
	T,U,V,W	X	25A	72161	- - - - -	KIT, ENDCAP - STD	1	88,149,151
			25B	- - - - -	72166	KIT, ENDCAP - STD	1	38,88,149,151
			29**	- - - - -	52371	VALVE PLATE	1	29
			38	72158	- - - - -	KIT, CYLINDER BLOCK (16cc)	1	38
			40	71367	71367	KIT, CHARGE PUMP	1	39,41,74
44			52255	52255	KIT, CHARGE RELIEF	1	44	
56			50173	50173	SCREW, M8 X 1.25 X 25mm LONG	2	56	
58	51457	51457	HEX SCREW, FH M10 X 65mm	4	58			



PR SERIES SERVICE SCHEMATIC (P-16A)

MODEL NUMBER:

P	R
1	2

 -

*			
3	4	5	6

 -

*			
7	8	9	10

 -

*			
11	12	13	14

END CAP & CHARGE PUMP KITS

CHAR 7	CHAR 4	CHAR 12	ITEM #	PART# ON OR AFTER S/N 0216PXXXXX	PART# BEFORE S/N 0216PXXXXX	DESCRIPTION	QTY	CONTAINS ITEMS	
N	A THRU D, G THRU K	X	25A	72161	- - - - -	KIT, ENDCAP - STD	1	88,149,151	
			25B	- - - - -	72166	KIT, ENDCAP - STD	1	38,88,149,151	
			29**	- - - - -	52371	VALVE PLATE	1	29	
			38	72158	- - - - -	KIT, CYLINDER BLOCK (16cc)	1	38	
			40	2510080	2510080	KIT, CHARGE PUMP	1	37,39,41,86,327	
			44	70403	70403	KIT, CHARGE RELIEF	1	44	
			56	50173	50173	SCREW, M8 X 1.25 X 25mm LONG	2	56	
		E,F,L,M	X	58	51457	51457	HEX SCREW, FH M10 X 65mm	4	58
	25A			72164	- - - - -	KIT, ENDCAP - TOP CASE DRAIN	1	88,149,151	
	25B			- - - - -	72169	KIT, ENDCAP - TOP CASE DRAIN	1	38,88,149,151	
	29**			- - - - -	52371	VALVE PLATE	1	29	
	38			72158	- - - - -	KIT, CYLINDER BLOCK (16cc)	1	38	
	40			2510080	2510080	KIT, CHARGE PUMP	1	37,39,41,86,327	
	44			70403	70403	KIT, CHARGE RELIEF	1	44	
J			56	50173	50173	SCREW, M8 X 1.25 X 25mm LONG	2	56	
			58	51457	51457	HEX SCREW, FH M10 X 65mm	4	58	
			25A	72162	- - - - -	KIT, ENDCAP - AUXILIARY CHARGE	1	88,149,151	
			25B	- - - - -	72167	KIT, ENDCAP - AUXILIARY CHARGE	1	38,88,149,151	
			29**	- - - - -	52371	VALVE PLATE	1	29	
			38	72158	- - - - -	KIT, CYLINDER BLOCK (16cc)	1	38	
P			40	70472	70472	KIT, CHARGE PUMP	1	39,41,45,49,67,69,71,72,73,75,156,158,168	
			44	70471	70471	KIT, CHARGE RELIEF	1	44	
			25A	72162	- - - - -	KIT, ENDCAP - AUXILIARY CHARGE	1	88,149,151	
			25B	- - - - -	72167	KIT, ENDCAP - AUXILIARY CHARGE	1	38,88,149,151	
			29**	- - - - -	52371	VALVE PLATE	1	29	
Q			38	72158	- - - - -	KIT, CYLINDER BLOCK (16cc)	1	38	
			40	70387	70387	KIT, CHARGE PUMP	1	39,41,45,49,67,69,71,72,73,75,156,158,168	
			44	2510081	2510081	KIT, CHARGE RELIEF	1	44	
			25A	72162	- - - - -	KIT, ENDCAP - AUXILIARY CHARGE	1	88,149,151	
			25B	- - - - -	72167	KIT, ENDCAP - AUXILIARY CHARGE	1	38,88,149,151	
			29**	- - - - -	52371	VALVE PLATE	1	29	
			38	72158	- - - - -	KIT, CYLINDER BLOCK (16cc)	1	38	
			40	70927	70927	KIT, CHARGE PUMP	1	39,41,45,49,67,69,71,72,73,75,156,158,168	
			44	70926	70926	KIT, CHARGE RELIEF	1	44	

PR COMMON ALUMINUM AUX MANIFOLD TYPE PARTS

CHAR 7	CHAR 12	ITEM #	PART #	DESCRIPTION	QTY	CONTAINS ITEMS
J,P,Q	X,2	45	2510082	KIT, AUX RELIEF VALVE	1	45
		54	2510090	KIT, AUX FILTER	1	71,72
		56	50969	FH SCREW 8M x 60mm	2	56
		58	51457	FH SCREW M10 x 65mm	4	58
		67	53070	FILTER COVER	1	67
		69	50408	PIN, DOWEL	2	69
		156	9005110-3100	PLUG, 5/16-24 STEEL	1	156
		158	9005110-4400	PLUG, 7/16-24 STEEL	1	158
		2	168	51359	CONNECTOR, -4 SAE TO -6 37° SAE STR THD	2



PR SERIES SERVICE SCHEMATIC (P-16A)

MODEL NUMBER:

P	R
1	2

 -

3	4	5	6

 -

	*		
7	8	9	10

 -

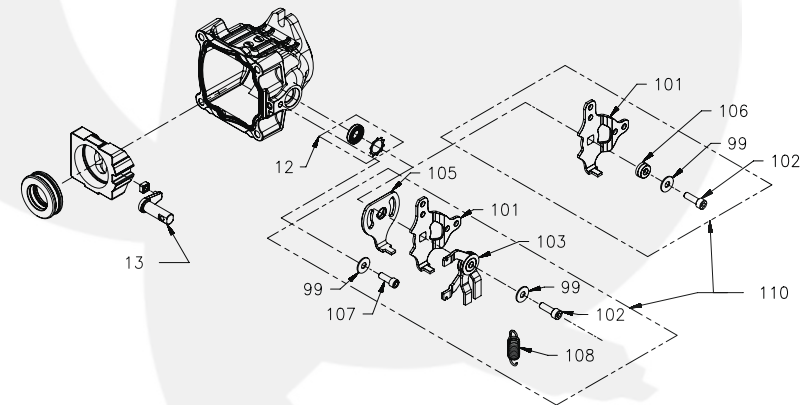
11	12	13	14		

ADAPTER PLATE

CHAR 7	CHAR 3	ITEM #	PART# ON OR AFTER S/N 0216PXXXXX	PART# BEFORE S/N 0216PXXXXX	DESCRIPTION	QTY	CONTAINS ITEMS
3	C,D,U,6	25A	72163	- - - - -	KIT, ENDCAP - TANDEM	1	88,149,151
		25B	- - - - -	72168	KIT, ENDCAP - TANDEM	1	38,88,149,151
		29**	- - - - -	52371	VALVE PLATE	1	29
		38	72158	- - - - -	KIT, CYLINDER BLOCK (16cc)	1	38
		39	51016	51016	O-RING	1	39
		55	51560	51560	PLATE, ADAPTER (TANDEM)	1	55
		58	51826	51826	HEX SCREW, FH M10	4	58
		80	9004800-2506	9004800-2506	PIN, HEADLESS	2	80
1	-----	25A	72163	- - - - -	KIT, ENDCAP - TANDEM	1	88,149,151
		25B	- - - - -	72168	KIT, ENDCAP - TANDEM	1	38,88,149,151
		29**	- - - - -	52371	VALVE PLATE	1	29
		38	72158	- - - - -	KIT, CYLINDER BLOCK (16cc)	1	38
		39	51016	51016	O-RING	1	39
		55	51536	51536	PLATE, ADAPTER (GEAR AA)	1	55
		58	51826	51826	HEX SCREW, FH M10	4	58
		80	9004800-2506	9004800-2506	PIN, HEADLESS	2	80
2	-----	25A	72163	- - - - -	KIT, ENDCAP - TANDEM	1	88,149,151
		25B	- - - - -	72168	KIT, ENDCAP - TANDEM	1	38,88,149,151
		29**	- - - - -	52371	VALVE PLATE	1	29
		38	72158	- - - - -	KIT, CYLINDER BLOCK (16cc)	1	38
		39	51016	51016	O-RING	1	39
		55	51887	51887	PLATE, ADAPTER (GEAR A)	1	55
		58	51826	51826	HEX SCREW, FH M10	4	58
		80	9004800-2506	9004800-2506	PIN, HEADLESS	2	80

TRUNNION ARMS AND RETURN KITS

CHARACTER 8	ITEM #	COMPONENT #	DESCRIPTION	QTY	CONTAINS ITEMS:
A, B	13	51596	TRUNNION ARM, TAPER SQUARE	1	13
	108	52401	STD SPRING	1	108
	110	70869	STD RTN, STD SPRING	1	99,101,102,103,105,107,108
C, D	13	51596	TRUNNION ARM, TAPER SQUARE	1	13
	108	52401	STD SPRING	1	108
	110	70870	KIT, CW RTN, STD SPRING	1	99,101,102,103,105,107,108
E, F	13	51596	TRUNNION ARM, TAPER SQUARE	1	13
	108	52401	STD SPRING	1	108
	110	70871	KIT, CCW RTN, STD SPRING	1	99,101,102,103,105,107,108
G, H	13	51596	TRUNNION ARM, TAPER SQUARE	1	13
	108	51605	HVY SPRING	1	108
	110	70872	KIT, STD RTN, HVY SPRING	1	99,101,102,103,105,107,108
J, K	13	51596	TRUNNION ARM, TAPER SQUARE	1	13
	108	51605	HVY SPRING	1	108
	110	70873	KIT, CW RTN, HVY SPRING	1	99,101,102,103,105,107,108
L, M	13	51596	TRUNNION ARM, TAPER SQUARE	1	13
	108	51605	HVY SPRING	1	108
	110	70874	KIT, CCW RTN, HVY SPRING	1	99,101,102,103,105,107,108
N, P	13	51596	TRUNNION ARM, TAPER SQUARE	1	13
	108	51833	MED SPRING	1	108
	110	71034	KIT, STD RTN, MED SPRING	1	99,101,102,103,105,107,108
Q, R	13	51596	TRUNNION ARM, TAPER SQUARE	1	13
	108	51833	MED SPRING	1	108
	110	71035	KIT, CW RTN, MED SPRING	1	99,101,102,103,105,107,108
T, U	13	51596	TRUNNION ARM, TAPER SQUARE	1	13
	108	51833	MED SPRING	1	108
	110	71036	KIT, CCW RTN, MED SPRING	1	99,101,102,103,105,107,108
V, W	13	51596	TRUNNION ARM, TAPER SQUARE	1	13
	110	70899	KIT, BASIC	1	99,101,102,106
Y	13	2000014	TRUNNION ARM, DOUBLE D	1	13
1	13	51596	TRUNNION ARM, TAPER SQUARE	1	13



PR SERIES SERVICE SCHEMATIC (P-16A)

MODEL NUMBER:

P	R
1	2

 -

3	4	5	6

 -

	*	*	
7	8	9	10

 -

*			
11	12	13	14

BYPASS VALVE KITS

CHARACTER 9	ITEM #	COMPONENT #	DESCRIPTION	QTY
1	50	2513030	KIT, BYPASS	1
2		2513031	KIT, BYPASS	1

FAN KITS

CHARACTER 10	ITEM #	COMPONENT #	DESCRIPTION	QTY	CONTAINS ITEMS:
X	90	N/A	N/A	0	NONE
A	90	71287	KIT, FAN 6" CW	1	81, 82, 83, 84
B	90	71287	KIT, FAN 6" CW	1	81, 82, 83, 84
	209	52016	BRACKET, SHROUD	1	209
C	90	71287	KIT, FAN 6" CW	1	81, 82, 83, 84
	209	52016	BRACKET, SHROUD	1	209
	210	52059	SHROUD, FAN	1	210
D	90	71287	KIT, FAN 6" CW	1	81, 82, 83, 84
	209	52016	BRACKET, SHROUD	1	209
	90	71287	KIT, FAN 6" CW	1	81, 82, 83, 84
E	209	52016	BRACKET, SHROUD	1	209
	210	52059	SHROUD, FAN	1	210
	90	70916	KIT, FAN 7" CCW	1	81, 82, 83, 84
2	90	70888	KIT, FAN 7" CW	1	81, 82, 83, 84
3	90	70618	KIT, FAN 6" CW	1	81, 82, 83, 84
4	90	70675	KIT, FAN 7" CW	1	81, 82, 83, 84
	90	70888	KIT, FAN 7" CW	1	81, 82, 83, 84
F	209	52355	BRACKET, SHROUD	1	209
	90	70888	KIT, FAN 7" CW	1	81, 82, 83, 84
	209	52355	BRACKET, SHROUD	1	209
G	210	52354	SHROUD, FAN	1	210
	90	70888	KIT, FAN 7" CW	1	81, 82, 83, 84
H	209	52355	BRACKET, SHROUD	1	209
	90	70888	KIT, FAN 7" CW	1	81, 82, 83, 84
J	209	52355	BRACKET, SHROUD	1	209
	210	52354	SHROUD, FAN	1	210
	90	70916	KIT, FAN 7" CCW	1	81, 82, 83, 84
K	209	52355	BRACKET, SHROUD	1	209
	210	52354	SHROUD, FAN	1	210

TORQUE BRACKET

CHARACTER 11	ITEM #	COMPONENT #	DESCRIPTION	QTY
X	60	N/A	N/A	0
1, 2, 3, 4, 7		51593	TORQUE BRACKET	1

