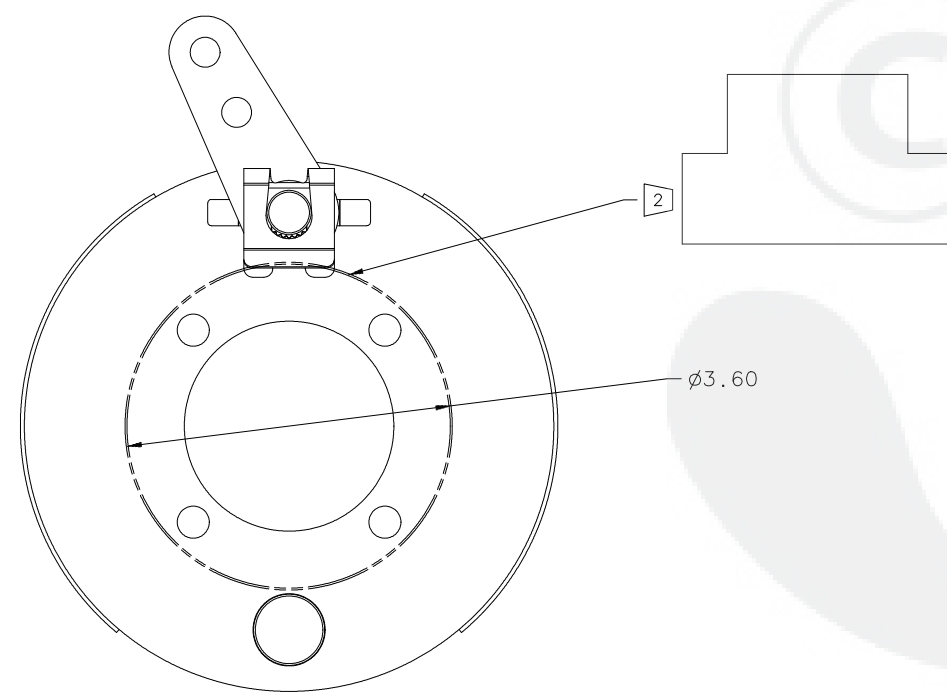
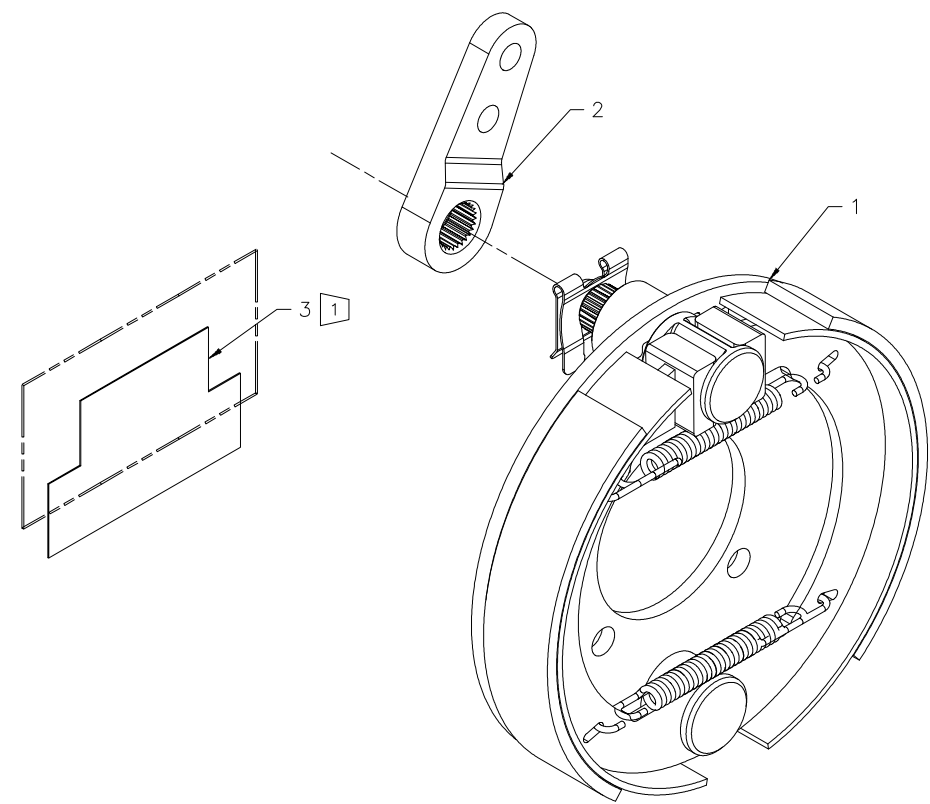
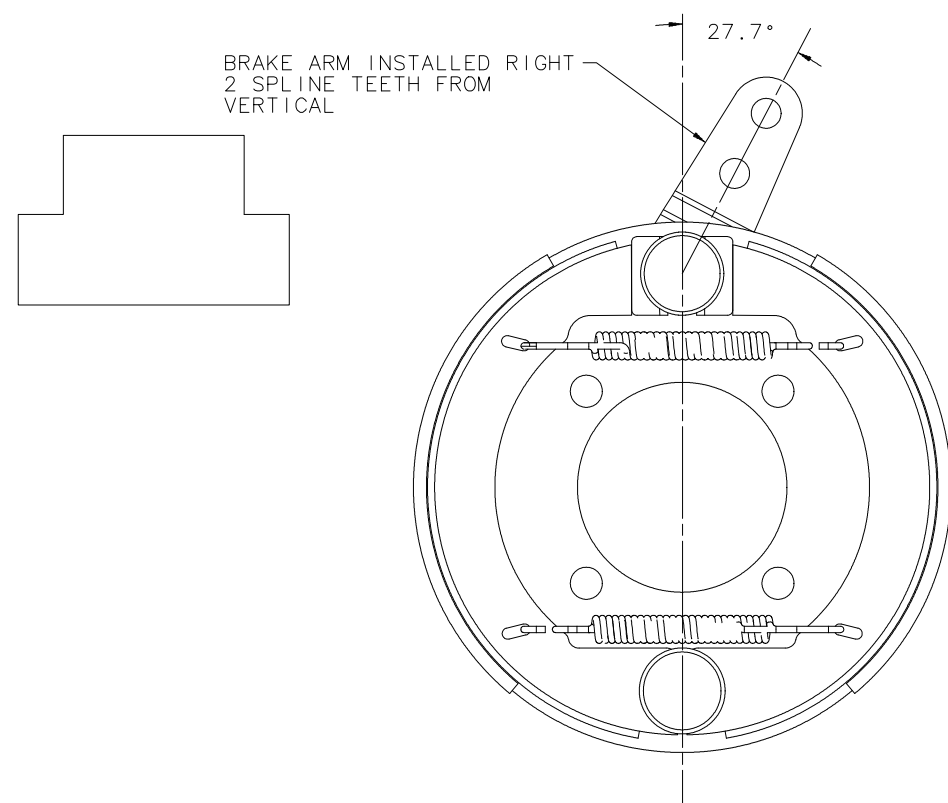


NOTES:

1 REMOVE AND DISCARD LARGER PORTION OF LABEL.

2 LABEL TO BE LOCATED OUTSIDE THIS DIAMETER. LABEL MAY NOT COVER SUPPLIER MARKINGS.

CHANGES	
P	CHANGES
P	RELEASE FOR PRODUCTION 01/12/08 M. SENTEL 01/17/08 M. SENTEL ECN #17523
P1	#10-PROJECT REFERENCE WAS "HGM" 03/10/08 T. BONE ECN #18096
P2	UPDATED TITLE BLOCK ADD'D ITEM 3 P/N 2003062-0005, QTY 1, DESC LABEL, ADHESIVE CS-ADD'D [2] REMOVE AND DISCARD LARGER PORTION OF LABEL. 012-ADD'D [2] LABEL TO BE OUTSIDE THIS DIAMETER. ECN #20113 11/06/06 R. GAGNON
P3	B13-ADD'D LABEL MAY NOT COVER SUPPLIER MARKINGS. TO NOTE [2] 08_ET_H13-REV'D GRAPHICS FOR LABEL LOCATION 01/22/07 NE M1-REV'D ITEM #1, P/N HGB- BEW-XX TO HGB-BEW-XXA 07/26/07 NE ECN #20753



ITEM #	PART #	QTY	DESCRIPTION
1	HGB-BEWX-XXA	1	PLATE, BRAKE BACKING ASSEMBLY
2	52499	1	ARM, BRAKE 2"
3	2003062-0005	1	LABEL, ADHESIVE

<p>1411 SO. HAMILTON ST., SULLIVAN, IL 61951 PHONE (217) 728-2581</p>		DRAWING INTERPRETATION PER ASME Y14.5M-1994		TOLERANCES UNLESS SPECIFIED	
		DATE	NAME	.0	±.020
DRAWN		12/14/04	MLB	.00	±.010
MATERIAL:		NAME BRAKE, SHOE 6" VERT "E" ASSEMBLY, 28° RIGHT		.000	±.005
FINISH:		PROJECT REFERENCE: HGB (P1)		.0000	±.0005
		DRAWN IN INCHES		ANGLE	±1°
		FORMER PART NO.		SHEET 1 OF 1	
		PART NO.		HGB-BEW7-2X (P3)	