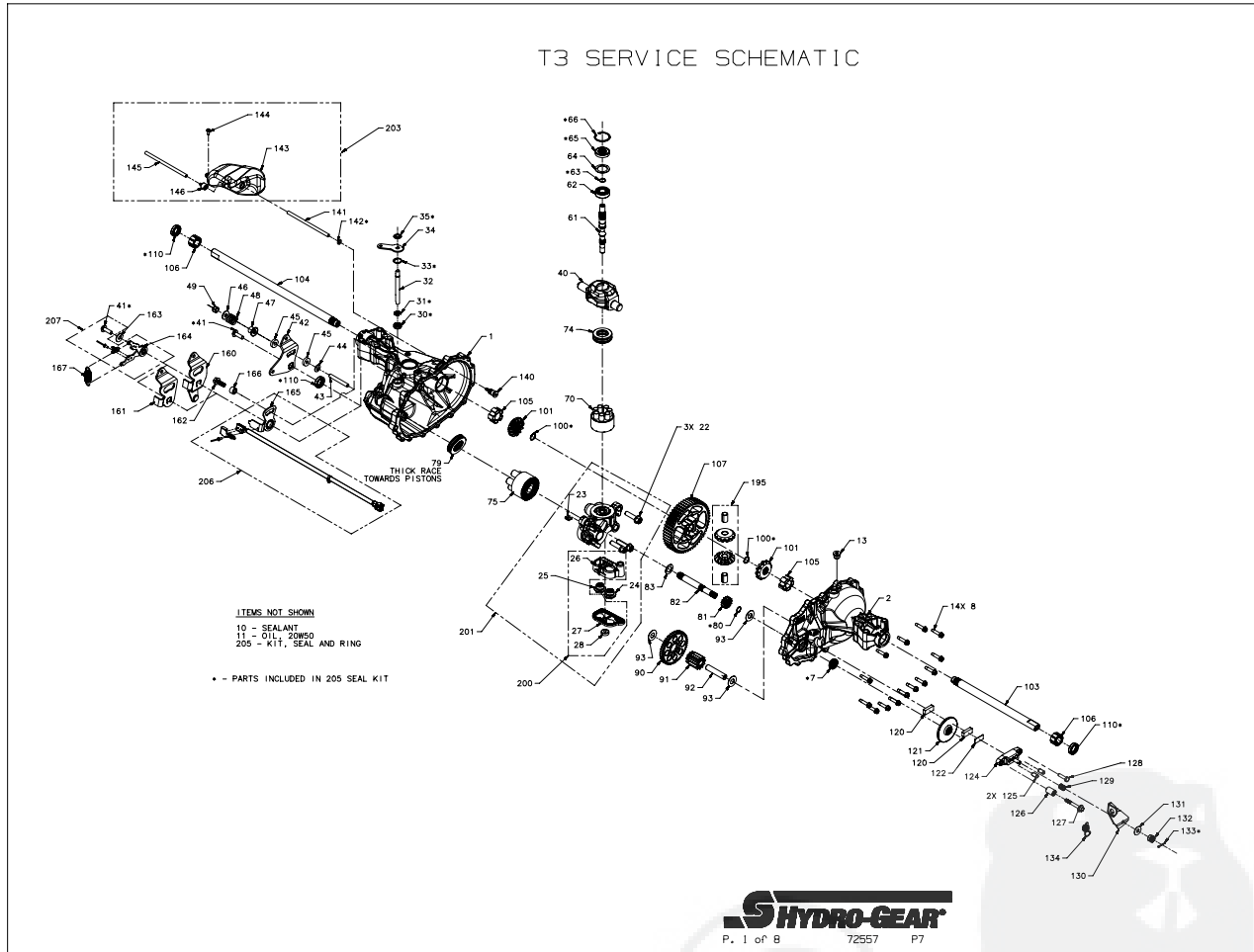


Service Schematic



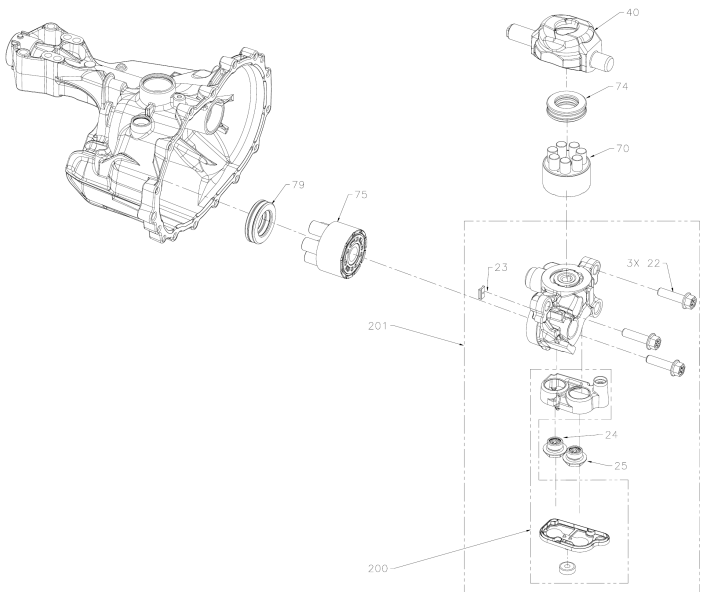
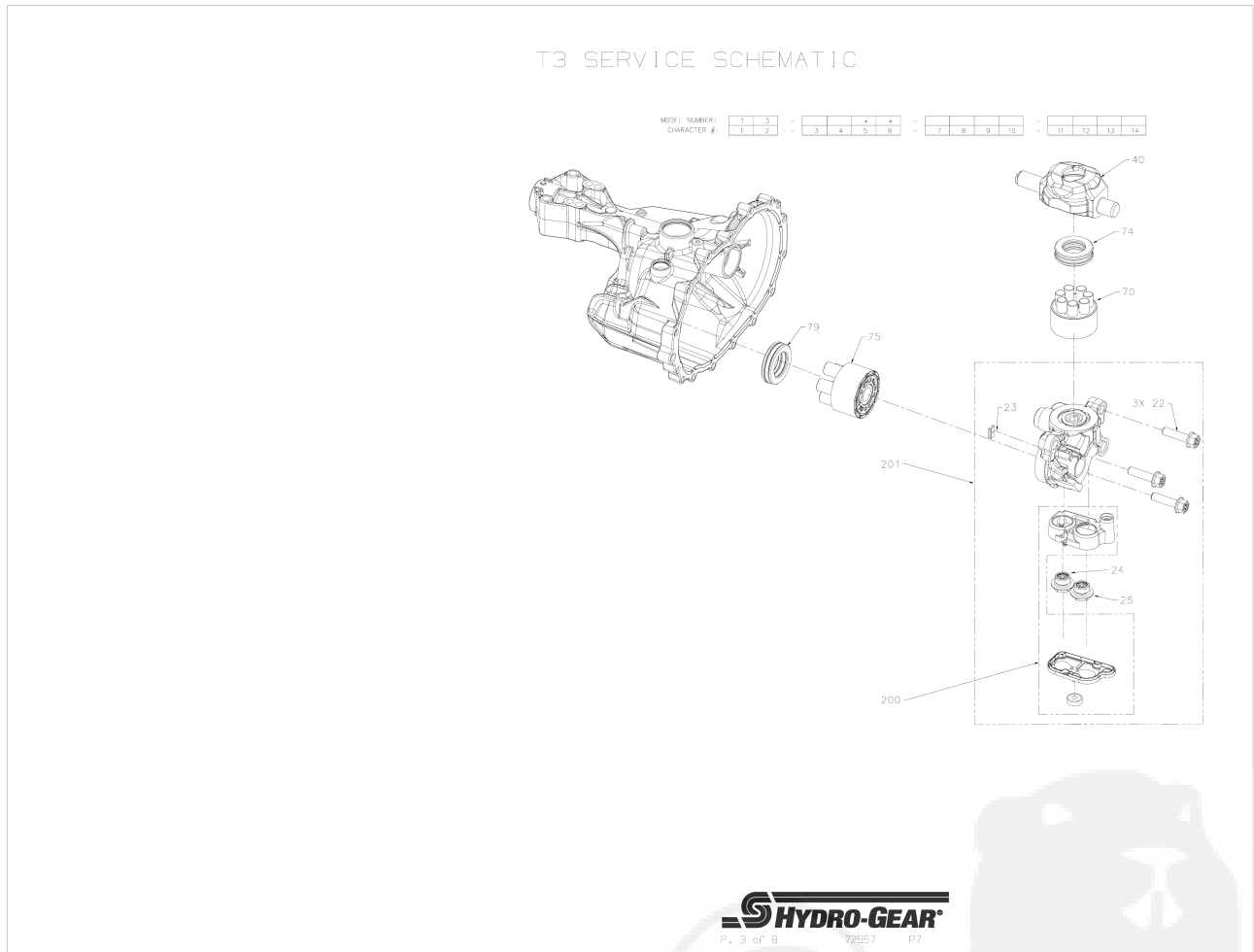
Service Schematic

#	PART #	DESCRIPTION	QTY	Note
1	72316	KIT, HOUSING MAIN	1	
2	72353	KIT HOUSING SIDE W/CASE DRAIN	1	
7	52820	SEAL .50 X 1.00 X .25 TC LIP	1	
8	53246	SCREW 1/4-20 X 1.125 HEX WASHER	13	
10	51186	SEALANT	0.007	
11	50006	20W-50 OIL	0.55	
13	71393	KIT 1/2 BEADED 9/16 SAE FITTING	1	
22	52137	SCREW 3/8-16 X 1.50 HFH	3	
23	54738	PLATE, BYPASS	1	
24	51207	ASSY, CHK PLUG W/WASHER	1	
25	51084	CHK PLUG ASSY/WASHER,.027"	1	
30	51626	SEAL .375 X .75 X .25 LIP	1	
31	51628	RING RET 37 EXT KLIPRING	1	
32	52459	ROD BYPASS .375 X 3.81	1	
33	51627	RING RET 75 INT	1	
34	52460	ARM, BYPASS	1	
35	51630	RING RET 37 EXT PUSH	1	
40	52450	SWASHPLATE TRUNNION	1	
41	51812	SCREW 5/16-24 X 1.00 TWHCS PATCH	1	
61	52462	SHAFT INPUT	1	
62	2003043	BEARING 15X35X11 BALL OPEN 6202	1	
63	2003016	RING RET 59 EXT WIRE	1	
64	2003018	WASHER .98 X 1.37 X .04	1	
65	9008000-0128	SEAL 15 X 35 X 7 LIP PTC	1	
66	2003052	RING RET 137 INT	1	
70	72228	KIT, BLOCK, 7 PISTON, 8CC	1	
74	52465	BEARING 28X47X14 BALL THRUST	1	
75	71971	KIT, BLOCK 12CC	1	
79	50551	BEARING 30X52X13 BALL THRUST	1	
80	44354	RING RET 50 EXT	1	
81	52484	GEAR, 14T	1	
82	52467	SHAFT MOTOR	1	
83	52468	WASHER .60 X 1.00 X .03 FLAT	1	
90	52483	GEAR, 47T/11T	1	
91	54242	GEAR 11T	1	
92	51083	JACK SHAFT (PIN)	1	
93	50132	WASHER .51 X 1.10 X .03 FLAT	3	
100	44871	RING RET 62 EXT SPIRAL	2	
101	51829	GEAR STEEL MITER 12T SPLINED	2	
103	53507	SHAFT .75 X 11.39 (RH) AXLE KEY	1	
104	53506	SHAFT .75 X 16.99 (LH) AXLE KEY	1	
105	52280	BUSHING, AXLE INBOARD	2	
106	52278	BUSHING, AXLE OUTBOARD	2	
107	54241	GEAR 53T	1	
110	53901	SEAL .75 X 1.125 X .25 LIP	3	
120	44132	PUCK, BRAKE	2	

Service Schematic

#	PART #	DESCRIPTION	QTY	Note
121	52473	ROTOR, BRAKE	1	
122	44134	PLATE, PUCK	1	
123	44138	BOLT 5/16-24 SH RIBBED	1	
124	44092	BRAKE YOKE	1	
125	44127	PIN BRAKE .31 X .73 PLATED	2	
126	23711	SPACER .26X.57X.87	1	
127	51146	BOLT 1/4-20 X 2 W/ PATCH SPECIAL FLANGE	1	
128	44433	SCREW 1/4-20 X 1 HH W/PATCH	1	
129	50919	SPRING COMP .48 X .50	1	
130	52374	ARM, BRAKE	1	
131	44130	WASHER .34 X .88 X .06	1	
132	44142	CASTLE NUT, 5/16-24	1	
133	44101	PIN 3/32 X 3/4 COTTER	1	
134	51529	SPRING EXT .53 X 1.55	1	
140	9005110-5000	PLUG 1/2-20 STRAIGHT THRD SKT HD	1	
161	52478	ARM, CONTROL RTN	1	
162	51064	BOLT 5/16-24 X .94 HF (PATCH)	1	
163	44130	WASHER .34 X .88 X .06	1	
164	52611	ASSEMBLY, RTN BI-DIRECTIONAL	1	
165	52618	ARM, NEUTRAL ASSEMBLY	1	
166	52481	BUSHING .330 X .618 X .405	1	
167	52401	SPRING EXT .63 X 2.05	1	
180	54012	SPRING CLIP - HOUSING THRUST	2	
185	51932	PLUG 9/16-18 MAGNETIC	1	
192	53246	SCREW 1/4-20 X 1.125 HEX WASHER	1	
200	71553	KIT, FILTER	1	
201	72559	KIT, CENTER SECTION WITH FILTER	1	
205	71554	KIT, SEAL	1	

Center Section Kit



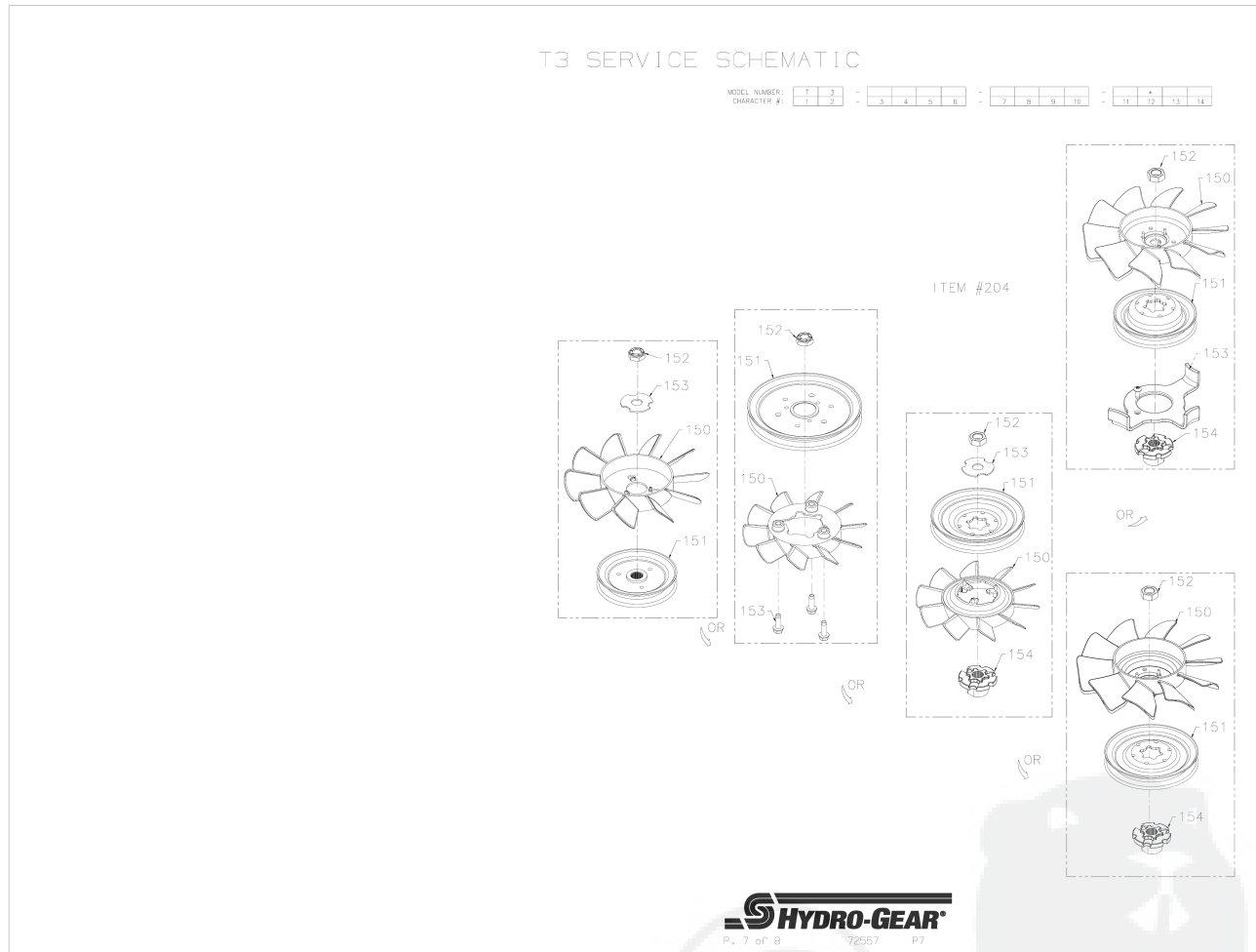
P. 3 of 8 72557 P7

Center Section Kit

#	PART #	DESCRIPTION	QTY	Note
22	52137	SCREW 3/8-16 X 1.50 HFH	3	
23	54738	PLATE, BYPASS	1	
24	51207	ASSY, CHK PLUG W/WASHER	1	
25	51084	CHK PLUG ASSY/WASHER,.027"	1	
40	52450	SWASHPLATE TRUNNION	1	
70	72228	KIT, BLOCK, 7 PISTON, 8CC	1	
74	52465	BEARING 28X47X14 BALL THRUST	1	
75	71971	KIT, BLOCK 12CC	1	
79	50551	BEARING 30X52X13 BALL THRUST	1	
200	71553	KIT, FILTER	1	
201	72559	KIT, CENTER SECTION WITH FILTER	1	



Fans, Pulleys, and Fan & Pulley Kits



Fans, Pulleys, and Fan & Pulley Kits

#	PART #	DESCRIPTION	QTY	Note
150	53819	FAN, 6.0 10 BLADE WITH INSERT	1	
151	53805	PULLEY, 4.0in.	1	
152	44133	NUT 1/2-20 HEX JAM W/ PATCH	1	
154	53812	HUB, PULLEY	1	
204	72390	KIT FAN PULLEY	1	

