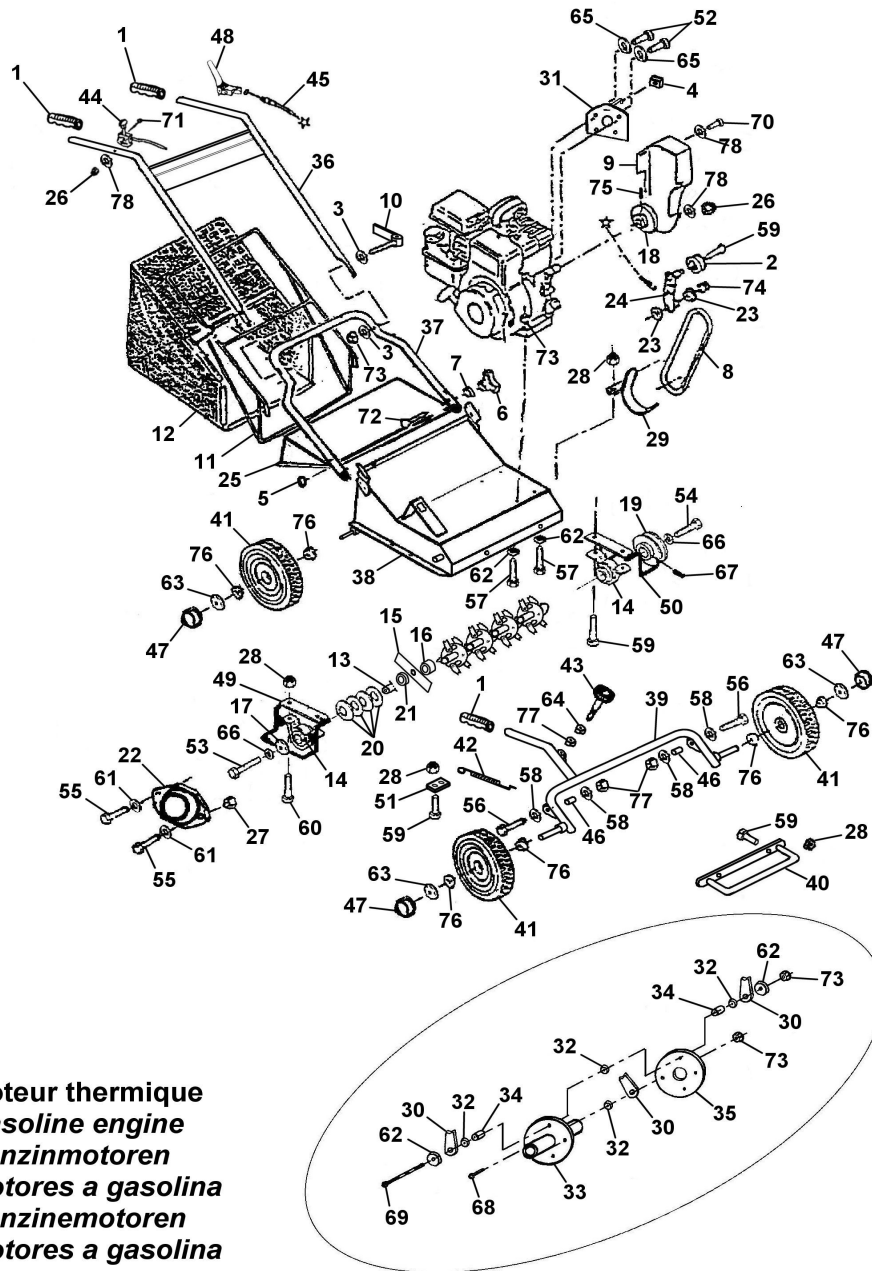


S 460 B+
S 460 H+



Moteur thermique
Gasoline engine
Benzinmotoren
Motores a gasolina
Benzinmotoren
Motores a gasolina

Rep.	Référence	Désignation	Part name	Bezeichnung	Descrizione	Designacion	Designação	Onderdeel	S460B+ S460H+
1	16706	Poignée	Lever	Hebel	Leva	Empanadura	Alavanca	Koppelingsgreep	3
2	30554	Galet	Roller	Laverde	Ruotina	Polea tensora	Rolo de came	Rol	1
3	CPO32924	Rondelle	Washer	Scheibe	Rondella	Arandela	Anilha	Ring	4
4	39092	Clips	Clips	Clips	Clips	Clips	Clips	Clips	1
5	45004	Rondelle	Washer	Scheibe	Rondella	Arandela	Anilha	Ring	2
6	46032	Bonton	Nut	Schraube	Dado	Tuerca	Botao de aperto	Knop	2
7	46301	Rondelle	Washer	Scheibe	Rondella	Arandela	Anilha	Ring	2
8	71116	Courroie	Belt	Riemen	Cinghia	Carrea	Correia	Riem	1
9	71373	Capot	Cover	Haube	Coperchio	Capo	Cobertura	Kap	1
10	CPO47222	Lever	Lever	Hebel	Leva	Palanca	Alavanca	Koppelingsgreep	2
11	71513	Armature	Sac frame	Armatur	Telaio cesto	Armadura	Armadura	Zakarmatur	1
12	71514	Sac	Bag	Sack	Tela cesto	Bolsa de recogida	Saco	Vermetzak	1
13	71518	Arbre	Axle	Achse	Astina	Arbal	Eixo	Las	1
14	71523	Palier	Bearing	Kugellager	Cuscinetto	Rodamiento	Rodamento	Kopelager	2
15	71519	Couteau	Blade	Messer	Zappetta	Cuchila	Lamina	Mes	6
16	71522	Entretoise	Spacer	Distanzstück	Distanziale	Separadore	Separador	afstandsstück	4
17	71524	Rondelle	Washer	Scheibe	Rondella	Arandela	Anilha	Ring	1
18	71525	Poulie	Pulley	Treilscheibe	Puleggia	Polea	Polia	Reim	1
19	71526	Poulie	Pulley	Treilscheibe	Puleggia	Polea	Polia	Reim	1
20	71531	Rondelle	Washer	Scheibe	Rondella	Arandela	Anilha	Ring	4
21	71792	Entretoise	Spacer	Distanzstück	Distanziale	Separadore	Separador	afstandsstück	4
22	72483	Cache palier	Cover	Haube	Coperchio	Capo	Cobertura	Kap	1
23	71780	Canon	Spacer	Distanzstück	Distanziale	Separadore	Separador	afstandsstück	2
24	72782	Bras de galet	Arm	Vorrichtung	Soporte	Braqç de rolo	RoIarm	1	
25	73260	Volet	Deflector	Ablenklech	Parasassi	Deflector	Deflector	Deflector	1
26	73271	Ecrou	Nut	Mutter	Dado	Tuerca	Porca	Moer	2
27	73275	Ecrou	Nut	Mutter	Dado	Tuerca	Porca	Moer	2
28	73276	Ecrou	Nut	Mutter	Dado	Tuerca	Porca	Moer	7
29	73647	Guide courroie	Vee belt guide	Riemenführung	Guida de cinghia	Guida de correa	Guia de correia	Drifriemgeleider	1
30	73852	Couteau	Blade	Messer	Zappetta	Cuchila	Lamina	Mes	24
31	73858	Platine	Support	Trager	Soporte	Braco	Hevel	1	
32	73859	Rondelle	Washer	Scheibe	Rondella	Arandela	Anilha	Ring	24
33	73860	Moyeu	Support	Trager	Soporte	Braco	Hevel	4	
34	73862	Entretoise	Spacer	Distanzstück	Distanziale	Separadore	Separador	afstandsstück	16
35	73958	Plaque	Support	Trager	Soporte	Braco	Hevel	4	
36	75430	Guidon	Handelbar	Lenker	Manico	Guiador	Stuurstang	1	
37	75431	Guidon	Handelbar	Lenker	Manico	Manillar	Guiador	Stuurstang	1
38	75432	Chassis	Chassis	Chassis	Telaio	Chasis	Chassis	Chassis	1
39	75433	Essieu	Axle	Achse	Astina	Arbal	Eixo	Las	1
40	75434	Pare chocs	Support	Trager	Soporte	Braco	Hevel	1	
41	75435	Roue	Wheel	Rad	Ruota	Rueda	Roda	Wiel	4
42	75436	Ressort	Spring	Feder	Muelle	Molla	Veer	1	
43	75437	Bouton	Screw	Schraube	Vite	Tornillo	Parafuso	Schroef	1
44	75438	Timonerie d'accélération	Throttle control	Gestange	Commando	Varillarie	Commando	Koppelingsstang	1
45	75439	Timonerie d'embrayage	Clutch control	Gestange	Commando	Varillarie	Commando	Koppelingsstang	1
46	75440	Entretoise	Spacer	Distanzstück	Distanziale	Separadore	Separador	afstandsstück	2
47	75441	Enjoliveur	Clip	Clip	Seeger	Cirip	Calotte	Wieldap	4
48	75464	Lever	Hebel	Hebel	Leva	Palanca	Alavanca	Koppelingsgreep	1
49	75467	Protège pied D.	Support	Trager	Soporte	Braco	Hevel	1	
50	75468	Protège pied G.	Support	Trager	Soporte	Braco	Hevel	1	
51	75469	Patte	Support	Trager	Soporte	Braco	Hevel	1	
52	Z03-792416	Vis	Screw	Schraube	Vite	Tornillo	Parafuso	Schroef	4
53	003-10-30	Vis	Screw	Schraube	Vite	Tornillo	Parafuso	Schroef	1
54	003-10-40	Vis	Screw	Schraube	Vite	Tornillo	Parafuso	Schroef	1
55	Z03-5-16	Vis	Screw	Schraube	Vite	Tornillo	Parafuso	Schroef	2
56	Z03-12-55	Vis	Screw	Schraube	Vite	Tornillo	Parafuso	Schroef	2
57	Z03-8-35	Vis	Screw	Schraube	Vite	Tornillo	Parafuso	Schroef	4
58	Z08-L12N	Rondelle	Washer	Scheibe	Rondella	Arandela	Anilha	Ring	4
59	Z03-10-20	Vis	Screw	Schraube	Vite	Tornillo	Parafuso	Schroef	6
60	Z03-10-25	Vis	Screw	Schraube	Vite	Tornillo	Parafuso	Schroef	1
61	Z08-LSN	Rondelle	Washer	Scheibe	Rondella	Arandela	Anilha	Ring	2
62	Z08-L8N	Rondelle	Washer	Scheibe	Rondella	Arandela	Anilha	Ring	50
63	Z08-M15N	Rondelle	Washer	Scheibe	Rondella	Arandela	Anilha	Ring	4
64	Z11-12	Ecrou	Nut	Mutter	Dado	Tuerca	Porca	Moer	1
65	Z12-8AZ	Rondelle	Washer	Scheibe	Rondella	Arandela	Anilha	Ring	4
66	012-10AZ	Rondelle	Washer	Scheibe	Rondella	Arandela	Anilha	Ring	2
67	024-6-10	Vis	Screw	Schraube	Vite	Tornillo	Parafuso	Schroef	1
68	Z26-8-20	Vis	Screw	Schraube	Vite	Tornillo	Parafuso	Schroef	8
69	Z26-8-70	Vis	Screw	Schraube	Vite	Tornillo	Parafuso	Schroef	8
70	Z29-63-25	Vis	Screw	Schraube	Vite	Tornillo	Parafuso	Schroef	1
71	Z42-6-50	Vis	Screw	Schraube	Vite	Tornillo	Parafuso	Schroef	1
72	Z42-8-45CC	Vis	Screw	Schraube	Vite	Tornillo	Parafuso	Schroef	2
73	Z53-8	Ecrou	Nut	Mutter	Dado	Tuerca	Porca	Moer	43
74	Z53-10	Ecrou	Nut	Mutter	Dado	Tuerca	Porca	Moer	1
75	052-8-8	Vis	Screw	Schraube	Vite	Tornillo	Parafuso	Schroef	1
76	030-6002-2	Roulement	Bearing	Kugellager	Cuscinetto	Rodamiento	Rodamento	Kopelager	8
77	Z53-12	Ecrou	Nut	Mutter	Dado	Tuerca	Porca	Moer	3
78	Z08-L6N	Rondelle	Washer	Scheibe	Rondella	Arandela	Anilha	Ring	3