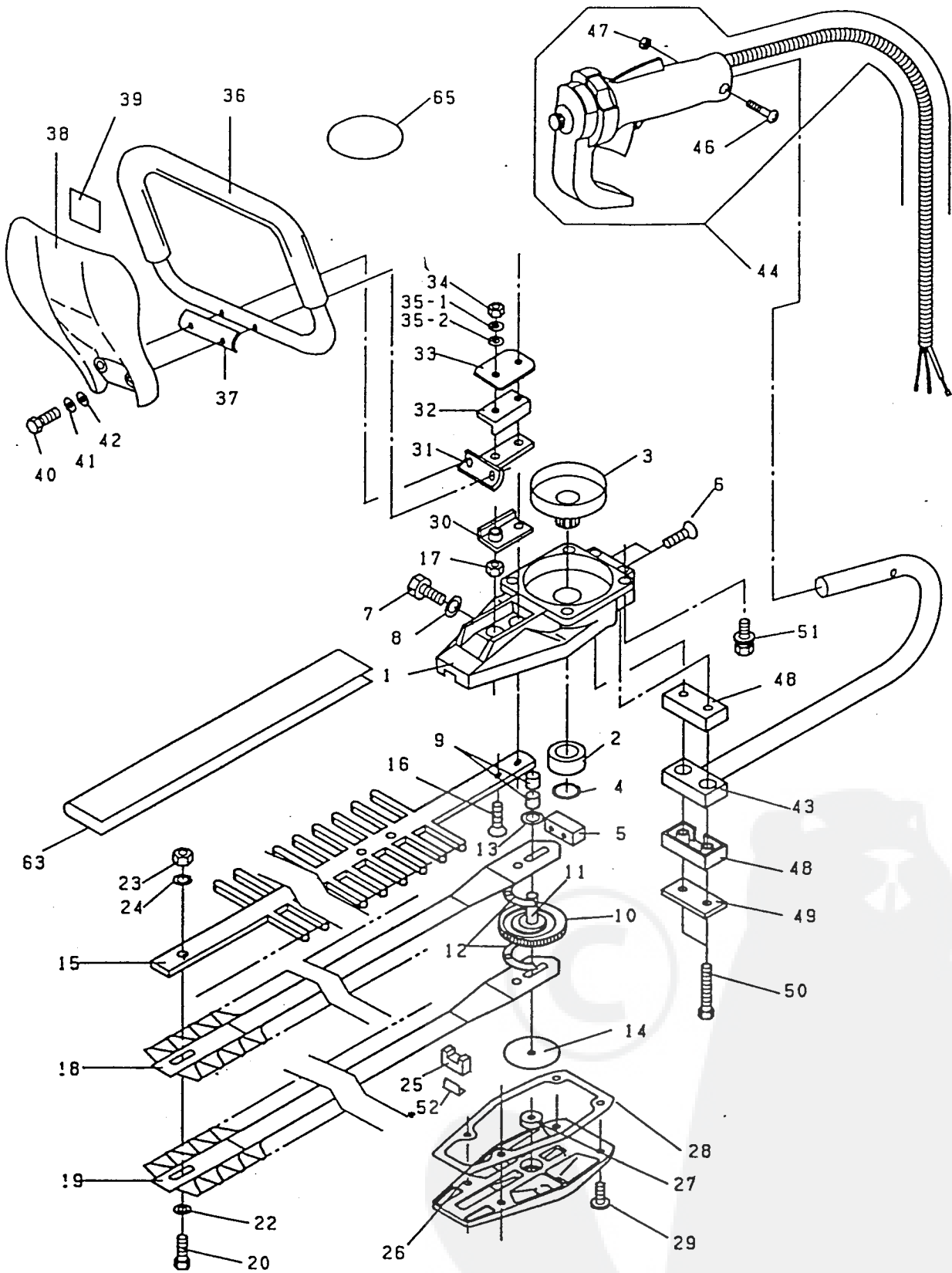


MA73D



MODEL HT412

[HT412 PARTS PRICE LIST 1/2]

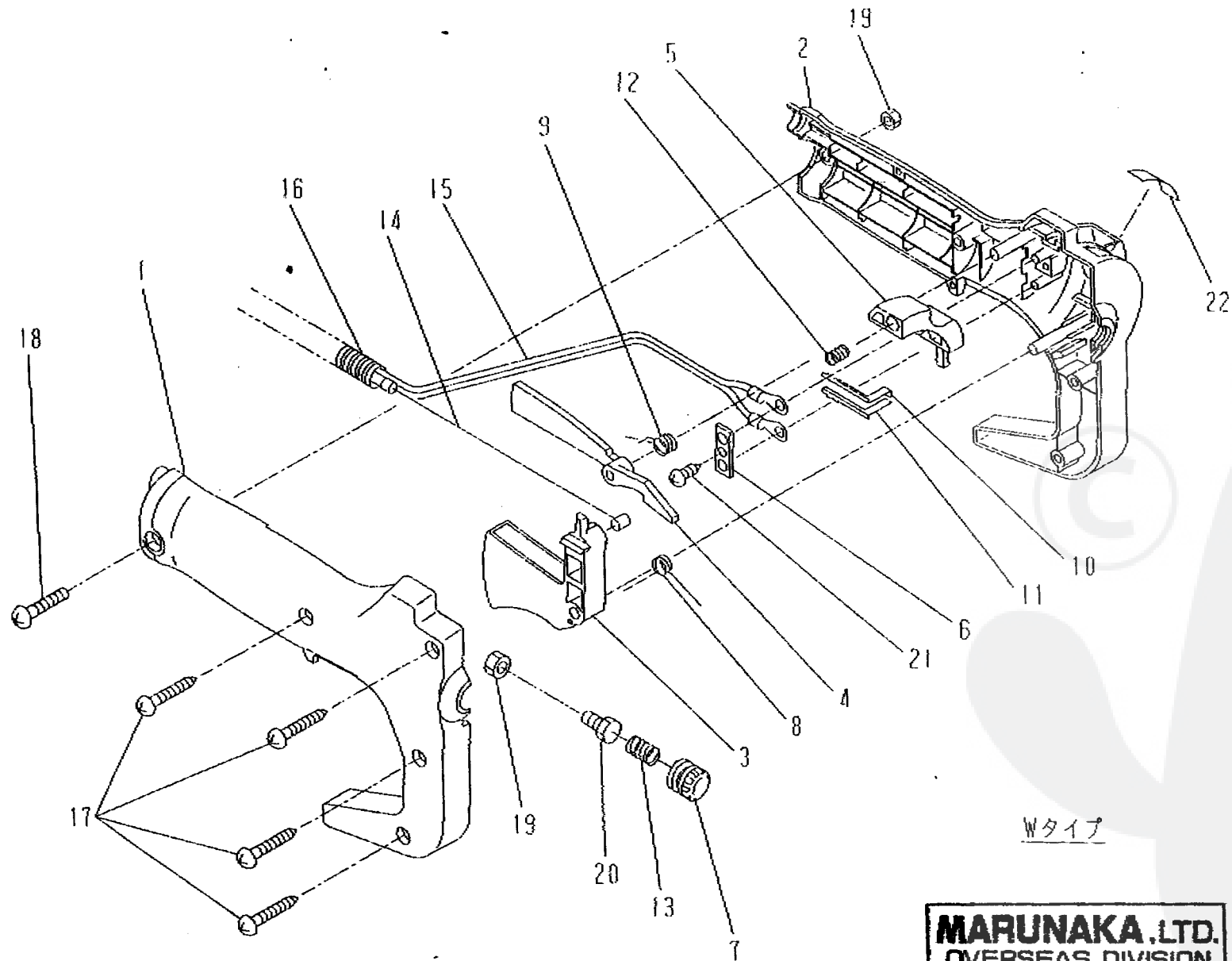
MA 730

NO.	CODE NO.	NAME	QTY	FOB @¥
1	165-216-4	GEAR CASE	1	2,402
2	004-602-0	BEARING	1	300
3	502-904-0	CLUTCH DRUM	1	1,409
4	008-061-0	STOP RING	1	23
5	165-215-3	BEARING HOLDER	1	169
6	002-103-0	FLAT H. SCREW (4 X 10)	2	15
7	001-050-0	OIL HOLE BOLT (M6 X 8)	1	15
8	166-475-3	PACKING-OIL HOLE	1	15
9	502-907-2	CATCHER (L)-SHAFT	2	238
10-11	166-719-7	CRANK GEAR ASS'Y (L)	1	4,127
10	502-911-1	CRANK GEAR	1	2,680
11	165-216-5	GEAR SHAFT	1	333
12	502-980-0	CAW-CRANKGEAR	2	1,139
13	502-908-0	BLADE GUIDE (S)	1	38
14	502-913-0	BLADE GUIDE (L)	1	84
15	166-756-9	STAY (HT412)	1	1,788
16	002-129-0	FLAT H. BOLT-STAY (M6X35)	2	8
17	003-122-1	U-NUT-STAY (M6)	2	46
18	166-477-6	BLADE, UPPER FOR HT412	1	8,722
19	166-478-2	BLADE, LOWER FOR HT412	1	8,722
20	502-917-0	BOLT (S)-BLADE	5	53
22	502-918-0	WASHER-BLADE	5	7
23	003-122-1	U-NUT-BLADE	5	46
24	003-272-0	SPRING WASHER-BLADE	5	7
25	502-914-0	GREASE PACKING	1	46
26	502-916-2	BOTTOM PLATE-GEAR CASE	1	485
27	166-472-2	BEARING	1	346
28	502-915-0	PACKING-BOTTOM PLATE	1	46
29	002-906-0	TAP.SCREW-BOTTOM PLATE	4	8
30	502-919-0	CUSHION (A)-LOOP	1	127
31	502-920-0	HANDLE STAY-LOOP HANDLE	1	516
32	166-538-5	CUSHION (B)-LOOP	1	69
33	502-921-0	CUSHION PLATE	1	46
34	003-002-0	HEX. NUT-STAY (M6)	2	9
35-1	003-272-0	SPRING WASHER-STAY (M6)	2	7
35-2	003-222-0	WASHER-STAY (M6)	2	7
36	502-922-0	LOOP HANDLE	1	2,617
37	502-923-0	HOLDER-LOOP HANDLE	1	127
38	502-924-0	HANDLE COVER	1	317
39		LABEL	1	
40	165-214-2	SOCKET H. SCREW (M5 X 30)	2	8
41	003-277-0	RING WASHER-L. HANDLE(M5)	2	9
42	003-227-0	WASHER-L. HANDLE (M5)	2	8
43	166-622-2	U-HANDLE	1	947
44	165-582-4	THROTTLE LEVER ASS'Y	1	4,211
46	165-577-5	SCREW (M5 X 30)	1	15
47	003-008-0	NUT (M5)	1	7

[HT412 PARTS PRICE LIST 2/2]

MA 730

NO.	CODE NO.	NAME	QTY	FOB @¥
48	502-925-0	CUSHION (C)(D)-U-HANDLE	2	61
49	166-969-8	CUSHION PLATE	1	70
50	001-713-0	BOLT-U. HANDLE (M6 X 35)	2	15
51	001-806-0	BOLT-ENGINE (M6 X 20)	4	15
63	165-221-1	BLADE COVER	1	246



Wタイプ

MARUNAKA, LTD.
OVERSEAS DIVISION

MA 73D

MA73

[CE TH. LEVER H24/6/8W HT411]

FOB

NO.	CODE NO.	NAME	QTY	YEN
1	165-578-6	GRIP-RIGHT CE LEVER	1	400
2	165-578-7	GRIP-LEFT CE LEVER	1	400
3	165-578-8	LEVER-THROTTLE CE LEVER	1	250
4	165-578-9	LEVER-LOCK CE LEVER	1	250
5	165-579-0	SWITCH CE LEVER	1	250
6	165-579-1	COVER-TERMINAL CE LEVER	1	200
7	165-579-2	KNOB CE LEVER	1	100
8	165-579-3	SPRING CE LEVER	1	50
9	165-579-4	SPRING CE LEVER	1	50
10	165-579-5	SPRING CE LEVER	1	50
11	165-579-6	SPRING CE LEVER	1	50
12	165-579-7	SPRING CE LEVER	1	50
13	165-579-8	SPRING CE LEVER	1	50
14	165-580-6	WIRE-THROTTLE H24-28W/MA73	1	400
15	165-581-1	CORD H24-28W/MA73	1	250
16	165-581-6	TUBE H24-28W/MA73	1	250
17	165-580-0	SCREW-TAPPING CE LEVER	4	50
18	165-577-5	SCREW CE LEVER	1	50
19	003-008-0	NUT M5 CE LEVER	2	50
20	166-582-8	BOLT M5X15 H24-28W	1	100
21	165-580-1	SCREW-TAPPING CE LEVER	1	50
22	165-579-9	LABEL CE LEVER	1	
14	165-580-9	WIRE-THROTTLE HT411	1	400
15	165-581-4	CORD HT411	1	250
16	165-581-8	TUBE HT411	1	250
20	168-035-6	BOLT M5X15 HT411	1	100
14 B	165-580-9B	WIRE HT412/MA73	1	400
15 B	165-581-4B	CORD HT412/MA73	1	250
16 B	165-581-8B	TUBE HT412/MA73	1	250

MARUNAKA, LTD.
OVERSEAS DIVISION