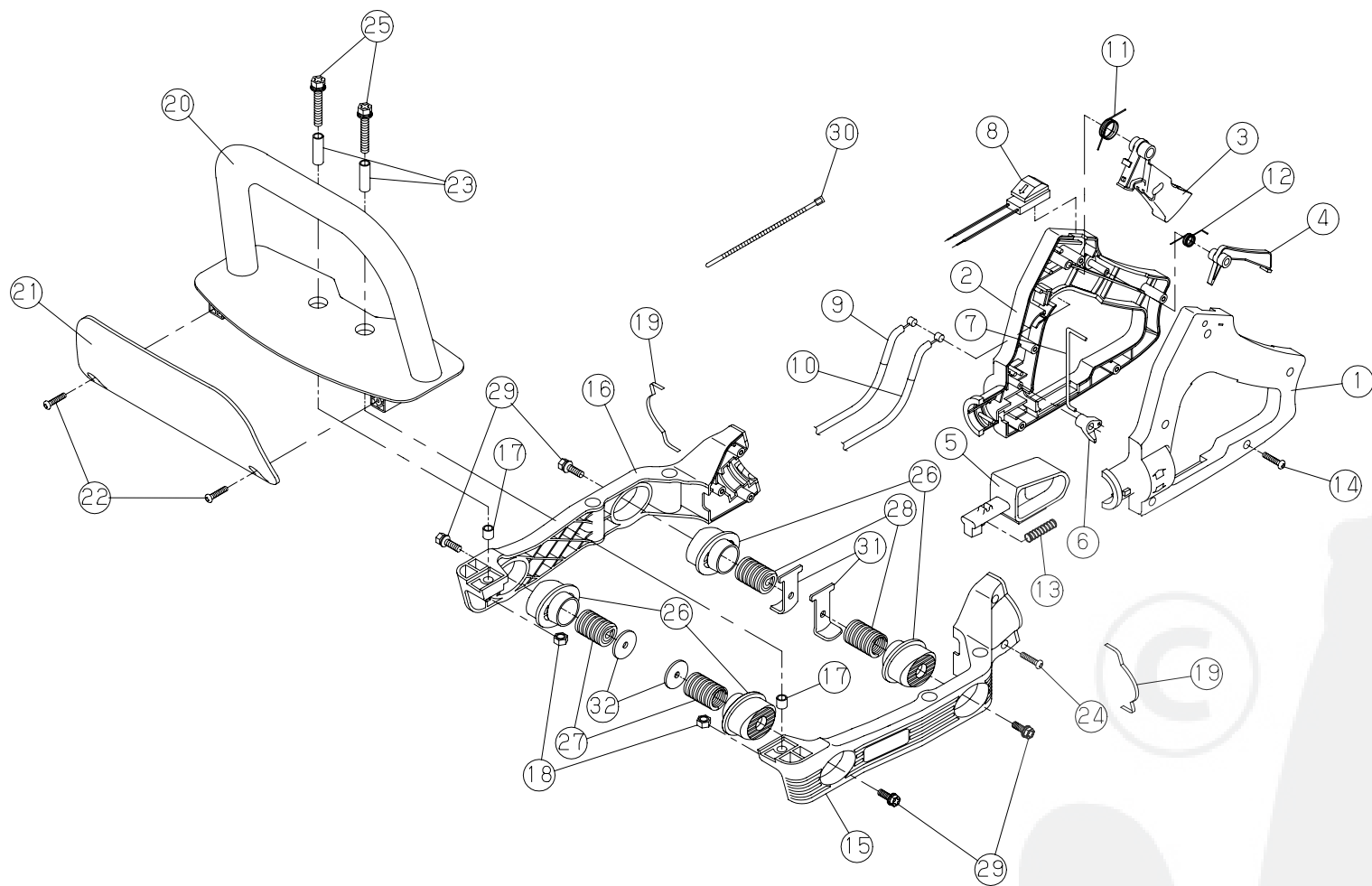


得意先	仕向先	基本仕様
マルナカ	欧州	E8F-600
得意先型式名称	得意先品番	落合型式品番
HFX600DT-DELUXE		TE8F0603D10

MODEL : HEDGE TRIMMER MODEL HFX600DT-DELUXE			VER.1.1 SEP.2006	
REF.NO.	PARTS CODE	DESCRIPTION	QUANTITY	PRICE(EX-WORKS) IN JAPANESE YEN
<b>EXPLODED-VIEWS NO.1 FRAME AND BLADES PART</b>				
1	TE1-A041000	CLUTCH CASE	1	
2	K054-050160	UPSET P2 M5X16	4	
3	TE5-A005000	CRANKCASE UPPER	1	
4	136-141	CLUTCH DRUM	1	
5	TE1-A042000	PINION GEAR R	1	
6	TE1-A045000	ROD SLIDE PLATE	2	
7	K354-060010	DEEP GROVE BALL BEARING UU 6001	1	
8	K353-006080	DEEP BALL BEARING ZZ 608	3	
9	R055-000100	GREASE NIPPLE	1	
10	K010-030050	PAN SMALL SCREW M3X5	4	
11	TE5-A006000	CRANKCASE LOWER	1	
12	TE1-A043000	CRANKGEAR ASSY	1	
13	TE1-A044000	ROD	2	
14	A286-112004	FELT	1	
15	TE1-A046000	RETAINER PLATE	1	
16	TE4-B330600	BLADE ASSY	2	
17	A287-110002	PLATE GUARD	1	
18	A325-103004	CENTER REST	1	
19	K283-026000	C SHAPE SNAP STW 26	1	
20	K054-050160	UPSET P2 M5X16	6	
21	A040-002009	BRADE SLIDE SCREW L=19	3	
22	G040-005000	BRADE SLIDE SCREW L=26	1	
23	K164-060000	U SCREW NUT M6	4	
24	008-250	BRADE SLIDE WASHER	4	
25	K055-05016W	UPSET P3 M5X16(WITH BOND)	1	
26	TE1-A047010	BRAKE LEVER R	1	
27	TE1-A048000	BRAKE BAND R ASSY	1	
28	K274-04014W	SPRING PIN 4.0X14	1	
29	K012-040100	TRUSS SMALL SCREW M4X10	1	
30	TE1-A049000	ADJUST BOLT	1	
31	TE1-A055000	SMALL HEXAGON NUT M6	2	
32	G001-000180	SPRING 1.0 10 33	1	
33	A028-002039	BLADE COVER	1	
34	TE1-A059000	FRONT STOPPER	1	





得意先	仕向先	基本仕様
マルナカ	欧州	E8F-600
得意先型式名称	得意先品番	落合型式品番
HFX600DT-DELUXE		TE8F0603D10

**EXPLODED-VIEWS NO.2 REAR HANDLE PART**

1	TE2-1007010	REAR HANDLE L	1	
2	TE2-1007020	REAR HANDLE R	1	
3	TE2-1007030	THROTTLE LEVER	1	
4	TE2-1007040	SAFETY LEVER	1	
5	TE2-1007050	LOCK LEVER	1	
6	TE2-1007070	LOCK PIN STOPPER	1	
7	TE2-1007060	ROD	1	
8	G014-222004	SLIDE SW ASSY 433	1	
9	G010-000350	THROTTLE CABLE	1	
10	G010-000380	BRAKE CABLE	1	
11	G003-000030	TORSION SPRING 1.0 14	1	
12	G003-000040	TORSION SPRING 0.9 8.4	1	
13	A002-050004	COMPRESSION SPRING	1	
14	K110-401602	PAN TAPPING 2.4X16	5	
15	TE2-5002010	VIBRATION INSULATION FLAME L	1	
16	TE2-5003010	VIBRATION INSULATION FLAME R	1	
17	K232-060080	SPACER	2	
18	K164-060000	U SCREW NUT M6	2	
19	G052-000990	LINE SEAL	2	
20	TE2-3003010	FRONT HANDLE	1	
21	TE2-3003020	PROTECTOR	1	
22	K113-401602	TRUSS TAPPING 2.4X16	2	
23	K232-060250	SPACER	2	
24	K110-401602	PAN TAPPING 2.4X16	3	
25	K055-060420	UPSET P3 M6X42	2	
26	TE2-5012000	VIBRATION INSULATION DAMPER	4	
27	G002-000230	COMPRESSION SPRING 2.6 20 29	2	
28	G002-000240	COMPRESSION SPRING 2.6 20 31	2	
29	K055-05016W	UPSET P3 M5X16(WITH BOND)	4	
30	R035-002000	BANDING BAND(V-100)	1	
31	TE1-A058000	REAR STOPPER	2	
32	G018-000160	WASHER 5.2 24 2.0	2	

