

MODEL : HEDGE TRIMMER MODEL HF580DT-L

VER.1.1 APR 20

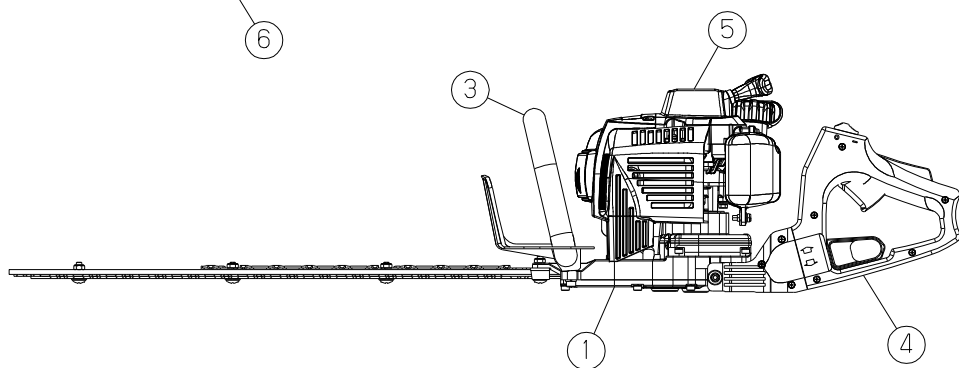
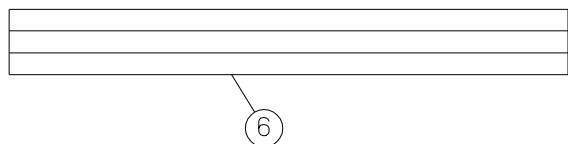
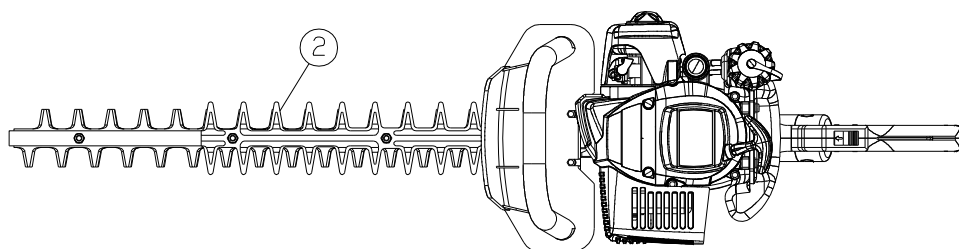
REF. NO

PARTS CODE

DESCRIPTION

QTY

1		CRANK CASE	1
2		BLADE	1
3		FRONT HANDLE	1
4		REAR HANDELE	1
5		ENGINE	1
6	A028-002049	BLADE COVER	1



MODEL : HEDGE TRIMMER MODEL HF580DT-L

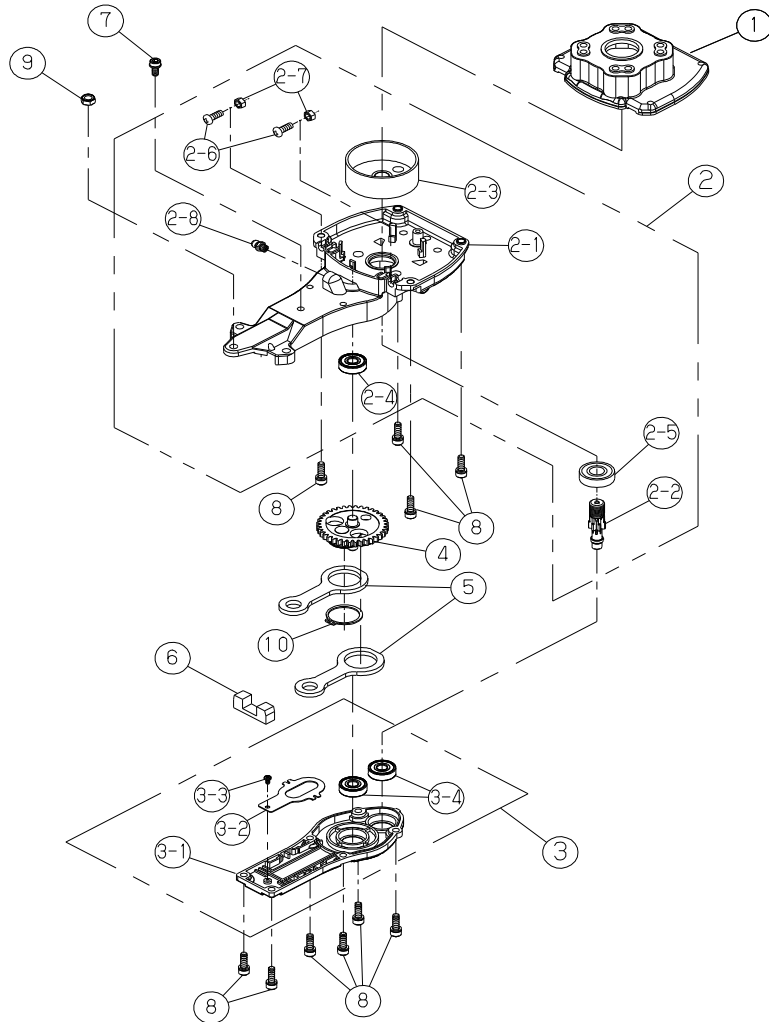
VER.1.1 APR

REF.

PARTS CODE

DESCRIPTION

QTY



1	TE1-A041000	CLUTCH CASE	1
2	TE5-0019000	CRANK CASE UPPER ASS	1
2-1	TE5-A008000	CRANK CASE UPPER	1
2-2	TE1-A095000	PINION 7×10.5 L	1
2-3	136-145	DRUM	1
2-4	K353-006080	BEARING ZZ 608	1
2-5	K354-060010	BEARING UU 6001	1
2-6	K010-050100	SCREW M5×10	2
2-7	K151-050000	NUT M5	2
2-8	R055-000100	GREASE NIPPLE	1
3	TE5-0020000	CRANK CASE LOWER ASSY	1
3-1	TE5-A009000	CRANK CASE LOWER	1
3-2	TE1-A065000	SLIDE PLATE	1
3-3	K010-030050	SCREW M3×5	1
3-4	K353-006080	BEARING ZZ 608	2
4	TE1-A096000	CRANK GEAR 36	1
5	TE1-A063000	ROD ASSY	2
6	TE1-A067000	FELT	1
7	K073-050106	BOLT M5×10	1
8	K081-05016T	BOLT M5×16	10
9	K164-060000	NUT M6	1
10	K283-026000	SNAP RING STW26	1





MODEL : HEDGE TRIMMER MODEL HF580DT-L

VER.1.1 APR 2012

REF. PARTS COD DESCRIPTION QTY

1	TE2-1051000	REAR HANDLE ASSY	1
1-1	TE2-1051010	REAR HANDLE SUB ASSY	1
1-1-1	TE2-1015010	REAR HANDLE L	1
1-1-2	TE2-1015020	REAR HANDLE R	1
1-1-3	TE2-1010030	THROTTLE LEVER	1
1-1-4	TE2-1010040	SAFETY LEVER	1
1-1-5	TE2-1007050	LOCK LEVER	1
1-1-6	TE2-1013020	LOCK PIN STOPPER	1
1-1-7	TE2-1007060	ROD	1
1-1-8	G014-222004	SLIDE SWITCH 433	1
1-1-9	G010-002160	THROTTLE CABLE	1
1-1-10	TE2-1013010	SPACER	1
1-1-11	G003-000030	TORSION SPRING 1.0	1
1-1-12	G003-000040	TORSION SPRING 0.9	8
1-1-13	A002-050004	COMPRESSION SPRING	1
1-1-14	K110-401602	TAPPING SCREW 4.0x16	5
1-2	TE2-5014000	HANDLE STAY L	1
1-3	TE2-5015000	HANDLE STAY R	1
1-4	K110-401602	TAPPING SCREW 4.0x16	3
1-5	K232-061000	SPACER 6x10	1
1-6	K232-050600	SPACER 5x6.0	2
2	G018-000140	WASHER 6.5 25 1.6	1
3	K081-060204	BOLT M6x20	1
4	K078-050204	BOLT M5x20	2
5	G013-070110	TUBE 110	1
6	R035-001600	BAND CV-100B	1

