

**REPAIR PARTS MANUAL**  
**MODEL NO. LZ13597AK (96011025401)**  
**Lawn Tractor**

---

**LAZER<sup>®</sup>**

532 41 12-51 11.29.06 AP

PRINTED IN U.S.A.

---

# HOW TO USE THIS MANUAL

This manual is designed to provide the customer with a means to identify the parts on his/her tractor when ordering repair parts. The illustrations may or may not represent the actual assemblies; therefore, it is not recommended to use this manual as a guide to assemble or disassemble the tractor. Some hardware and parts are drawn larger in order to more readily identify them.

Each tractor has its own model number.

The model number for your tractor can be found on the fender under the seat.

When ordering parts, always give the following information:

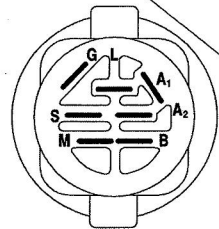
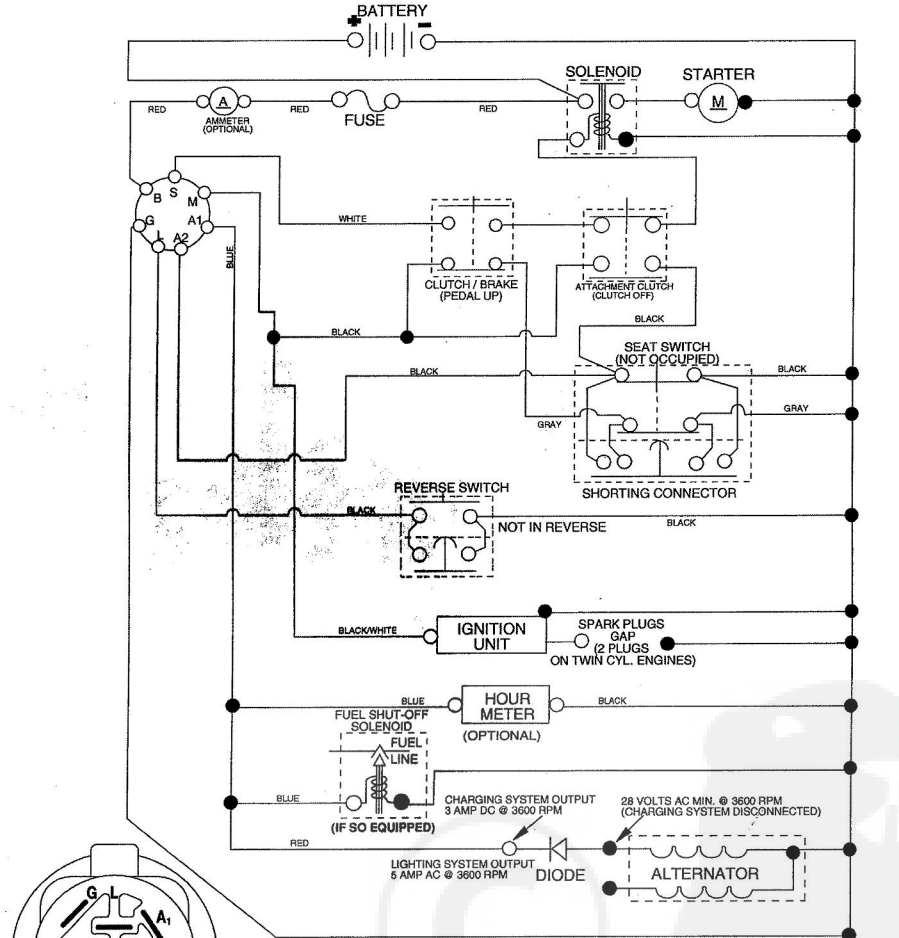
- Product - "Lawn Tractor"
- Model Number - LZ13597AK (96011025401)
- Part Number
- Part Description

## TABLE OF CONTENTS

SCHEMATIC .....	3
ELECTRICAL.....	4-5
CHASSIS AND ENCLOSURES.....	6-7
DRIVE.....	8-9
STEERING WHEEL .....	10-11
ENGINE.....	12-13
SEAT ASSEMBLY.....	14
DECALS.....	15
MOWER DECK .....	16-17
MOWER LIFT .....	18

**TRACTOR - MODEL NO. LZ13597AK (96011025401), PRODUCT NO. 960 11 02-54  
SCHEMATIC**

03049\_197427-428



**IGNITION SWITCH**

POSITION	CIRCUIT "MAKE"
OFF	M+G+A1
RUN/OVERRIDE	B+A1
RUN	B+A1 L+A2
START	B + S + A1

03049

**NOTE**

YOUR TRACTOR IS EQUIPPED WITH A SPECIAL ALTERNATOR SYSTEM. THE LIGHTS ARE NOT CONNECTED TO THE BATTERY, BUT HAVE THEIR OWN ELECTRICAL SOURCE. BECAUSE OF THIS, THE BRIGHTNESS OF THE LIGHTS WILL CHANGE WITH ENGINE SPEED. AT IDLE THE LIGHTS WILL DIM. AS THE ENGINE IS SPEEDED UP, THE LIGHTS WILL BECOME THEIR BRIGHTEST.

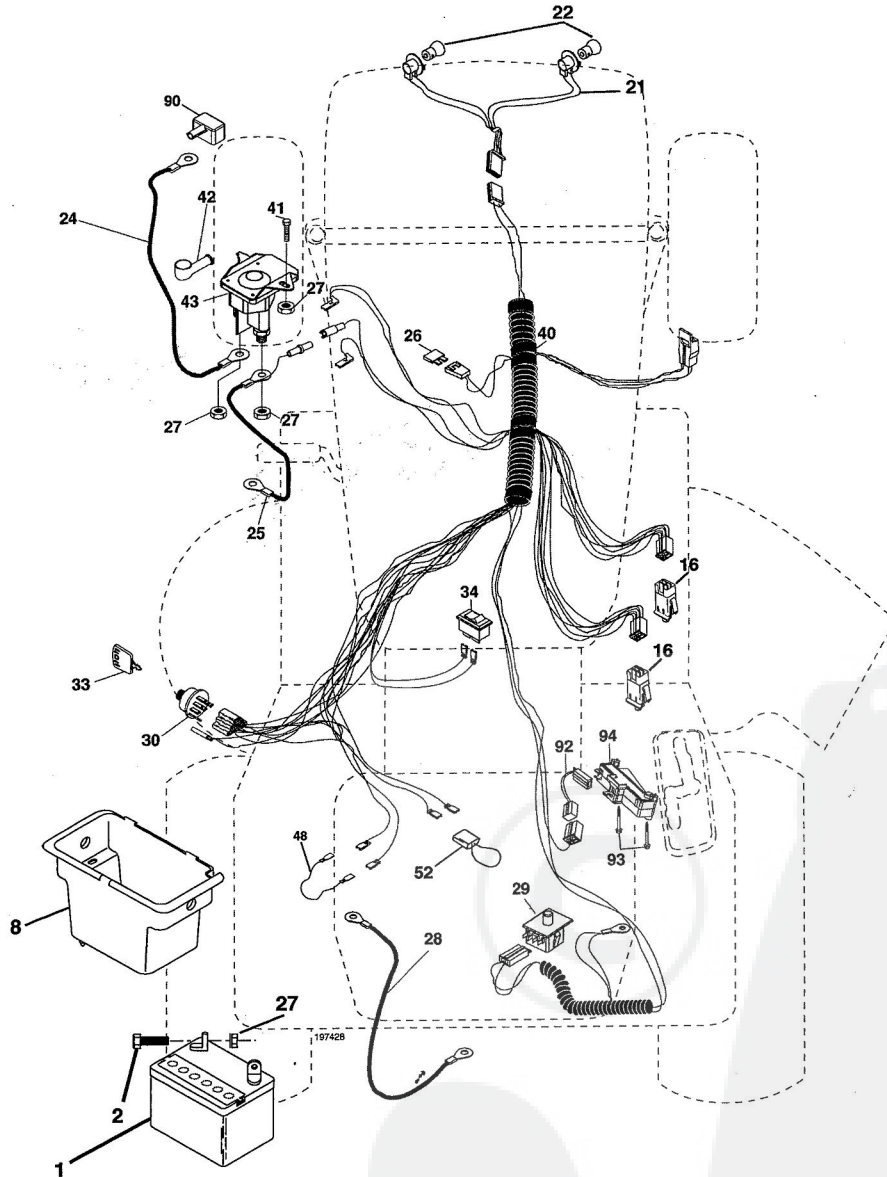


**WIRING INSULATED CLIPS**

**NOTE:** IF WIRING INSULATED CLIPS WERE REMOVED FOR SERVICING OF UNIT, THEY SHOULD BE REPLACED TO PROPERLY SECURE YOUR WIRING.

# REPAIR PARTS

TRACTOR - MODEL NO. LZ13597AK (96011025401), PRODUCT NO. 960 11 02-54  
ELECTRICAL



## REPAIR PARTS

TRACTOR - MODEL NO. LZ13597AK (96011025401), PRODUCT NO. 960 11 02-54  
ELECTRICAL

KEY NO.	PART NO.	DESCRIPTION
1	532 16 34-65	Battery 12 Volt 25 AMP
2	874 76 04-12	Bolt Hex Hd 1/4-20 unc x 3/4
8	532 17 66-89	Box Battery
16	532 17 61-38	Switch Interlock Push-In
21	532 18 37-59	Harness Asm
22	532 00 41-52	Bulb Light
24	532 12 47-80	Cable Battery 6 Ga 11" red
25	532 14 61-47	Cable Battery 6 Ga 44" red w/16 wire
26	532 17 51-58	Fuse 20 AMP
27	873 51 04-00	Nut Keps Hex 1/4-20 unc
28	532 12 47-73	Cable Ground 6 Ga 12" black
29	532 19 27-49	Switch Seat
30	532 19 33-50	Switch Ign
33	532 14 04-01	Key Ign Molded Generic
34	532 11 07-12	Switch Light
40	532 19 74-28	Harness Ign.
41	871 11 04-08	Bolt Blk Fin Hex 1/4 - 20 x 1/2
42	532 13 15-63	Cover Terminal Red
43	532 19 25-07	Solenoid
48	532 14 08-44	Adapter Ammeter Rectangular
52	532 14 19-40	Protection Wire Loop
90	532 18 04-49	Cover Terminal Battery
92	532 19 66-15	Harness Pigtail Console ROS
93	532 19 25-40	Screw Plastite 10-14 x 2.0
94	532 19 18-34	Module Reverse ROS

NOTE: All component dimensions given in U.S. inches.  
1 inch = 25.4 mm.



## REPAIR PARTS

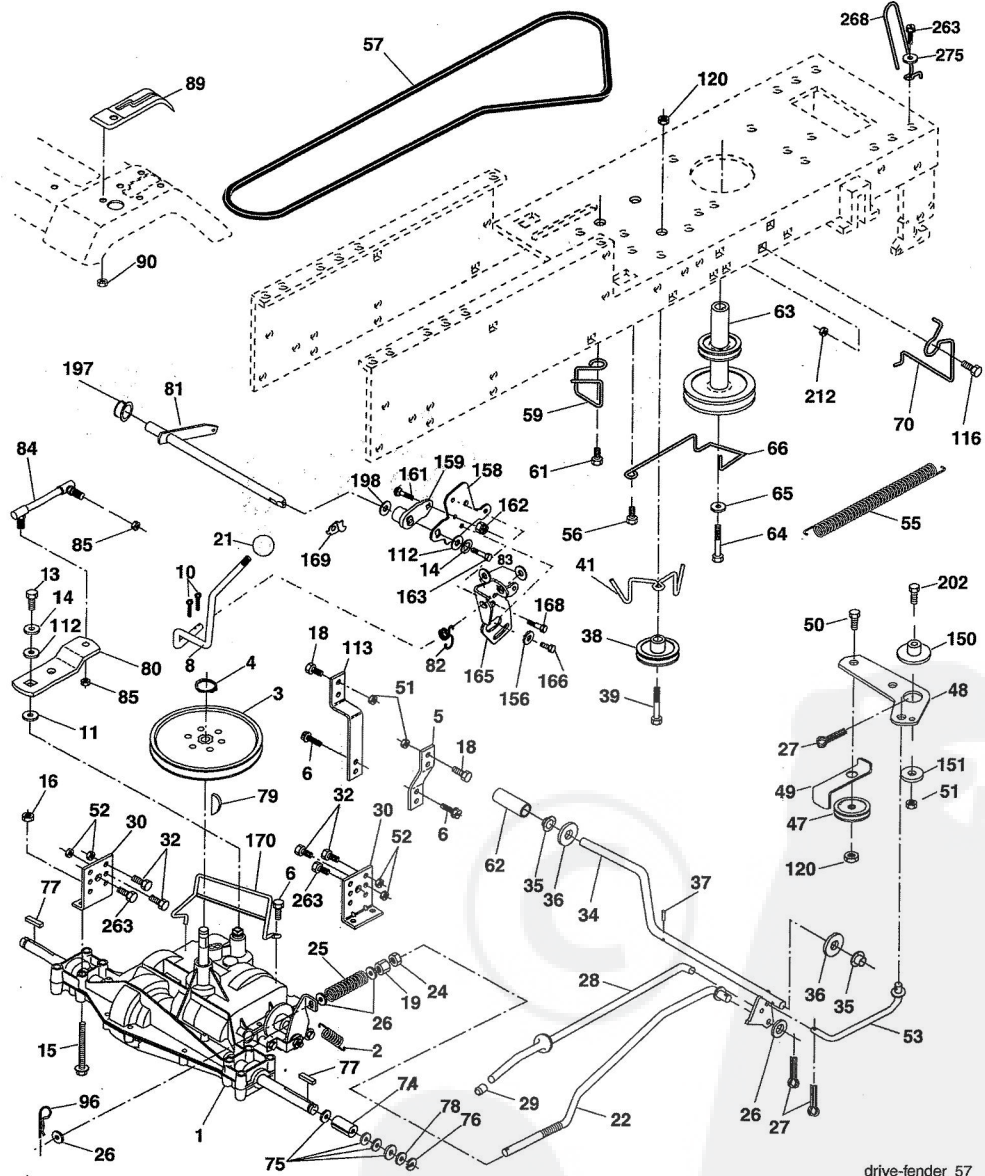
TRACTOR - MODEL NO. LZ13597AK (96011025401), PRODUCT NO. 960 11 02-54  
CHASSIS AND ENCLOSURES

KEY NO.	PART NO.	DESCRIPTION
1	532 17 46-20	Chassis Stamping
2	532 17 65-54	Drawbar
5	532 15 52-72	Bumper Hood/Dash
6	532 18 44-19	Saddle, Flat
8	532 15 51-38	Clip Retainer
9	532 19 46-88	Dash P/L
10	872 14 06-08	Bolt Carriage 3/8-16 x 1
11	532 17 49-96	Panel Dash Lh
13	532 18 69-52	Panel Dash Rh
15	874 18 05-12	Screw Mach. TRHD 5/16-18 unc x 3/4
16	873 51 05-00	Nut Keps 5/16-18unc
17	532 18 67-07	Hood
18	532 18 49-21	Bumper Hood
24	874 78 06-16	Bolt Fin Hex 3/8-16unc x 1 Gr. 5
25	819 13 13-12	Washer 13/32 X 13/16 x 12 Ga
26	873 80 06-00	Nut Lock Hex W/Ins 3/8-16 Unc
28	532 18 38-26	Grille
29	532 18 98-37	Lens Grille
30	532 19 58-55	Fender
31	532 13 66-19	Bracket Support Fender
33	532 18 11-93	Footrest LH
34	532 18 11-94	Footrest RH
35	872 11 06-06	Bolt RDHD SHT SQNK 3/8-16 x 3/4
37	817 49 05-08	Screw Thdrol 6/16-18 x 1/2 TYT
38	532 17 57-10	Bracket, Asm. Pivot, Mower Rear
39	532 40 78-07	Bracket Pivot
145	532 15 65-24	Rod Pivot Chassis/Hood
205	817 49 06-08	Screw Thdrol 3/8-16 x 1/2
206	532 17 01-65	Bolt Shoulder 5/16-18 TT
208	817 67 06-08	Screw Thdrol 3/8-16 x 1/2
209	817 00 06-12	Screw Thdr 3/8-16 x 3/4
212	532 18 38-23	Insert Lens
278	532 19 16-11	Screw Single Lead Hex10 x 3/4
--	532 00 54-79	Plug Button

NOTE: All component dimensions given in U.S. inches  
1 inch = 25.4 mm

# REPAIR PARTS

TRACTOR - MODEL NO. LZ13597AK (96011025401), PRODUCT NO. 960 11 02-54  
DRIVE



drive-fender\_57



# REPAIR PARTS

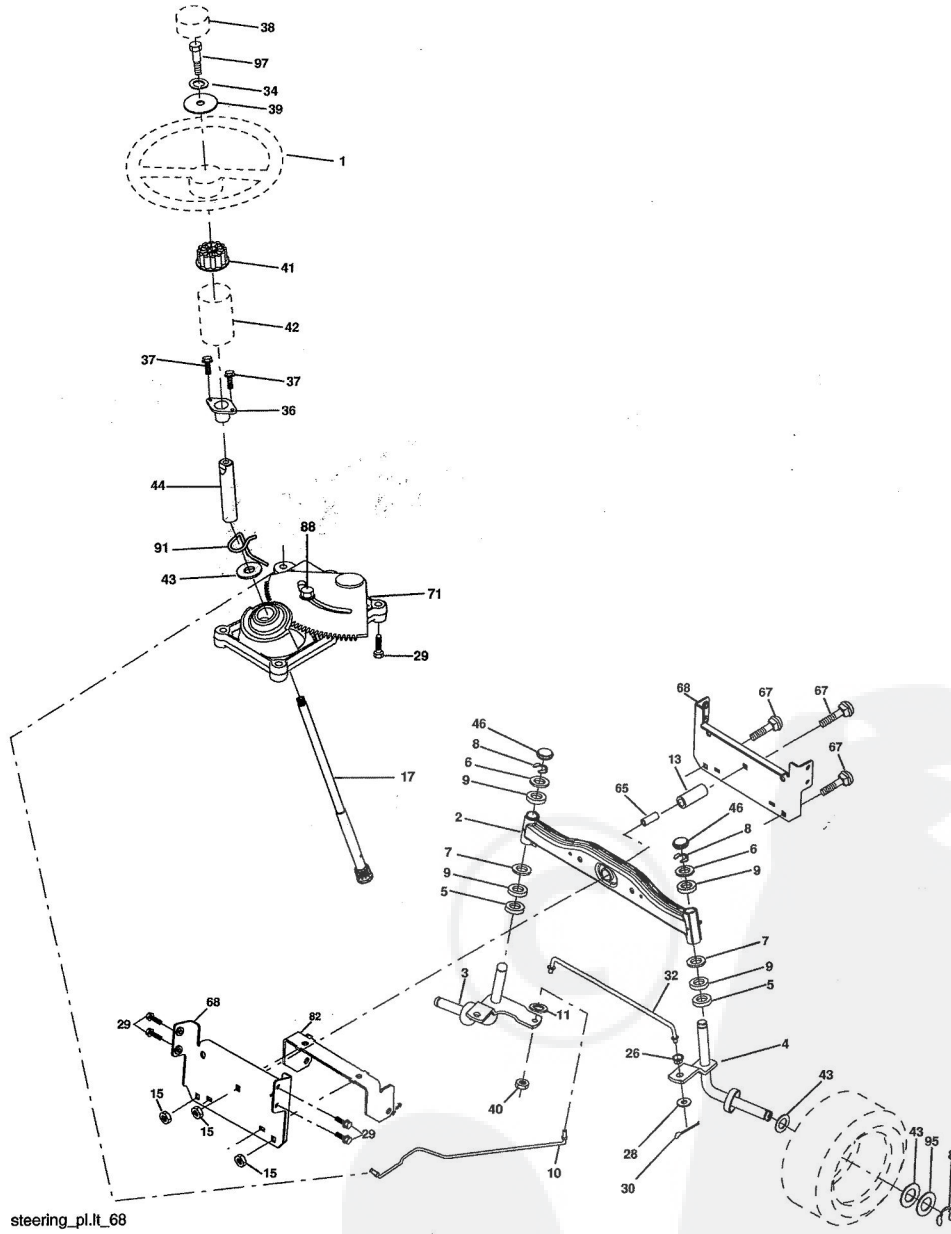
TRACTOR - MODEL NO. LZ13597AK (96011025401), PRODUCT NO. 960 11 02-54  
DRIVE

KEY PART NO. NO.	DESCRIPTION	KEY PART NO. NO.	DESCRIPTION
1	----- Transaxle, <b>D4360-139</b> (Order Parts From Transaxle Manufacturer)	64	532 17 39-37 Bolt Hex
2	532 14 66-82 Spring Return Brake T/a Zinc	65	810 04 07-00 Washer Lock Hvy Hlcl Spr 7/16
3	532 12 36-66 Pulley Transaxle 18" tires	66	532 15 47-78 Keeper Belt Engine Foolproof
4	812 00 00-28 Ring Retainer # 5100-62	69	532 14 24-32 Screw Hex Wsh Hi-Lo 1/4 X 1/4 unc
5	532 12 15-20 Strap Torque 30 Degrees	70	532 13 46-83 Guide Belt Mower Drive RH
6	817 06 05-12 Screw Thdrol 5/16-18 x 3/4 TYT	74	<b>532 10 95-02</b> Spacer
8	532 19 27-06 Rod Shift	75	532 12 17-49 Washer 25/32 x 1 1/4 x 16 Ga.
10	876 02 04-16 Pin Cotter 1/8 x 1 Cad	76	812 00 00-01 E-ring #5133-75
11	532 10 57-01 Washer Plate Shf 388 Sq Hole	77	532 12 35-83 Key Square 2 0 x 1845/ 1865
13	874 55 04-12 Bolt 1/4-28 Unf Gr. 8 W/Patch	78	532 12 17-48 Washer 25/32 x 1-5/8 x 16 Ga.
14	810 04 04-00 Washer Lock Hvy Helical 1/4	79	532 12 50-96 Key Woodruff #9 3/16 x 3/4
15	874 49 05-44 Bolt 5/16-18 Gr. 5	80	532 13 14-88 Arm Shift Trans
16	873 80 05-00 Nut Lock Hex W/Ins 5/16-18	81	532 16 55-94 Shaft Asm. Cross Taper
18	874 78 06-16 Bolt, Fin Hex 3/8-16 unc x 1 Gr. 5	82	532 16 57-11 Spring Torsion
19	873 80 06-00 Nut Lock 3/8-16 unc	83	819 17 12-16 Washer 17/32 x 3/4 x 16 Ga.
21	532 10 69-33 Knob	84	532 16 62-29 Link Trans
22	532 13 08-04 Rod Brake Blk Zinc <b>26 840</b>	85	532 15 03-60 Nut Lock Center 1/4-28
24	873 35 06-00 Nut Hex Jam 3/8-16 unc	89	532 19 58-61 Console Shift
25	532 10 68-88 Spring Rod Brake 2 00 Zinc	96	532 12 47-88 Retainer Spring 1"
26	819 13 13-16 Washer 13/32 x 13/16 x 16 Ga	112	819 09 12-10 Washer 9/32 x 3/4 x 10 Ga.
27	876 02 04-12 Pin Cotter 1/8 x 3/4 Cad	113	532 12 72-85 Strap Torque LT
28	532 17 57-65 Rod Brake Parking LT/YT	116	872 14 06-08 Bolt Rdhd Sq Neck 3/8-16 x 1
29	532 07 16-73 Cap Brake Parking Black	120	873 90 06-00 Nut Lock Flg. 3/8-16
30	532 17 49-73 Bracket Mtg Transaxle	150	532 17 54-56 Spacer Retainer
32	874 76 05-12 Bolt Hex Hd 5/16-18unc x 3/4	151	819 13 32-10 Washer 13/32 x 2 x 10 Ga.
34	532 17 55-78 Shaft Asm Pedal Foot	156	532 16 60-02 Washer Srrtd 5/16ID x 1 x .125
35	532 12 01-83 Bearing Nylon Blk 629 Id	158	532 16 55-89 Bracket Shift Mount
36	819 21 16-16 Washer 21/32 x 1 x 16 Ga.	159	532 18 39-00 Hub Shift
37	532 12 49-63 Pin Roll 3/16 x 1"	161	872 14 04-06 Bolt RDHD SQNK 1/4-20 x 3/4 Gr. 5
38	532 17 91-14 Pulley Composite	162	873 68 04-00 Nut Crownlock 1/4-20 UNC
39	872 11 06-22 Bolt 3/8-16 x 2-3/4 Gr.5	163	874 78 04-16 Bolt Hex Fin 1/4-20 UNC x 1 Gr.5
41	532 17 55-56 Keeper Belt Idler Flat	165	532 16 56-23 Bracket Pivot Lever
47	532 12 77-83 Pulley Idler V Groove Plastic	166	817 49 05-10 Screw 5/16-18 x 5/8
48	532 15 44-07 Bellcrank Clutch Grnd Drv Stl	168	532 16 54-92 Bolt Shoulder 5/16-18 x .561
49	532 12 32-05 Retainer Belt Style Spring	169	532 16 55-81 Plate Fastening
50	872 11 06-12 Bolt Carr SH 3/8-16 x 1-1/2 Gr.5	170	532 18 74-14 Keeper Belt T/A
51	873 68 06-00 Nut Crownlock 3/8-16 unc	197	532 16 96-13 Nyliner Smap-in 5/8
52	873 68 05-00 Nut Crownlock 5/16-18 unc	198	532 16 98-45 Washer Nylon
53	532 19 96-52 Link Clutch	202	872 11 06-14 Bolt 3/8-16 x 1-3/4 Gr. 5
55	532 10 57-09 Spring Return Clutch 6 75	212	532 14 52-12 Nut Hex Flg Lock
56	817 06 06-20 Screw 3/8-16 x 1-1/4	263	817 00 06-12 Screw Hex Wsh THDR 3/8-16 x 3/4
57	<b>532 16 08-55</b> V-Belt Ground Drive	268	532 18 24-02 Guard Muffler
59	532 16 96-91 Keeper Belt Span Ctr	275	819 13 16-14 Washer 13/32 x 1 x 14 Ga.
61	817 12 06-14 Screw 3/8-16 x .875	263	817 00 06-12 Screw Hexwsh Thdr 3/8-16 x 3/4
62	532 12 48-72 Cover Pedal		
63	532 17 54-10 Engine Pulley		

NOTE: All component dimensions given in U.S. inches  
1 inch = 25.4 mm

# REPAIR PARTS

TRACTOR - MODEL NO. LZ13597AK (96011025401), PRODUCT NO. 960 11 02-54  
STEERING ASSEMBLY



steering\_pl.lt\_68

## REPAIR PARTS

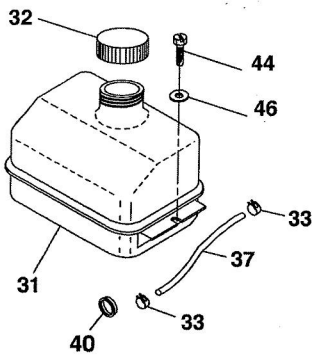
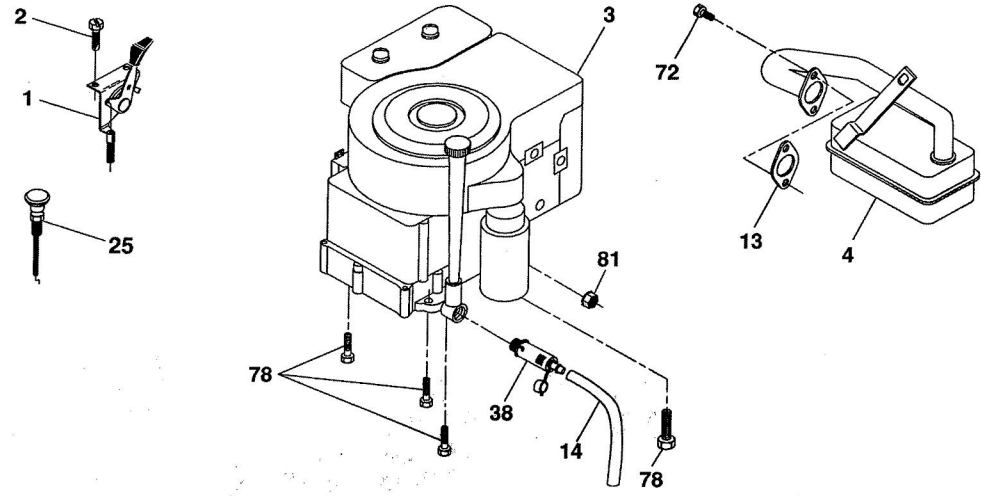
TRACTOR - MODEL NO. LZ13597AK (96011025401), PRODUCT NO. 960 11 02-54  
STEERING ASSEMBLY

KEY NO.	PART NO.	DESCRIPTION
1	532 18 67-80	Wheel Steering
2	532 19 56-73	Axle Asm
3	532 16 98-40	Spindle Asm LH
4	532 16 98-39	Spindle Asm RH
5	532 12 49-31	Bearing Race Thrust Harden
6	532 12 17-48	Washer 25/32 x 1-5/8 x 16 Ga.
7	819 27 20-16	Washer 27/32 x 1-1/4 x 16 Ga.
8	812 00 00-29	Ring Klip #t5304-75
9	532 12 49-37	Bearing Col Strg Blk
10	532 17 51-21	Link Drag
11	810 04 06-00	Washer Lock Hvy Hlcl Spr 3/8
13	532 13 65-18	Spacer Brg Axle Front
15	532 14 52-12	Nut Hex Flange Lock
17	532 19 07-53	Shaft Asm Strg
26	532 12 68-47	Bushing Link Drag Blk LR
28	819 13 14-16	Washer 13/32 x 7/8 x 16 Ga.
29	817 00 06-12	Screw 3/8-16 x 3/4
30	876 02 04-12	Pin Cotter 1/8 x 3/4 Cad
32	532 19 27-57	Rod Tie Wire Form
34	810 04 05-00	Washer Lock Hvy HLCL Spr. 5/16
36	532 15 50-99	Bushing Strg
37	532 15 29-27	Screw
38	532 19 29-16	Insert Cap Strg Wh
39	819 11 38-12	Washer 11/32- ID x 2-3/8 OD 12 Ga.
40	873 54 06-00	Nut Crownlock 3/8-24
41	532 18 67-37	Adaptor Wheel Strg
42	532 16 96-33	Boot Steering Shaft
43	532 12 17-49	Washer 25/32 x 1-1/4 x 16 Ga.
44	532 19 07-52	Extension Steering Shaft
46	532 12 12-32	Cap Spindle Fr Top Blk
65	532 16 03-67	Spacer Brace Axle
67	872 11 06-18	Bolt, Rdhd Sqnk 3/8-16 x 2-1/4
68	532 16 98-27	Axle, Brace
71	532 17 51-46	Steering Asm.
82	532 19 99-78	Bracket Susp Chassis Front
88	532 17 51-18	Bolt Shoulder 7/16-20
91	532 17 55-53	Clip Steering
95	532 18 89-67	Washer Hardened
97	874 78 05-64	Bolt 5/16-18 UNC x 4" L Gr. 5

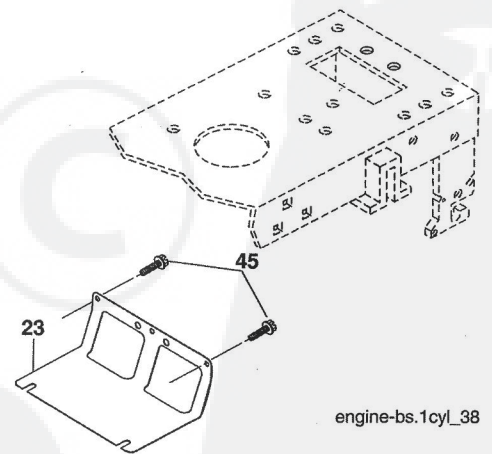
NOTE: All component dimensions given in U.S. inches.  
1 inch = 25.4 mm.

# REPAIR PARTS

TRACTOR - MODEL NO. LZ13597AK (96011025401), PRODUCT NO. 960 11 02-54  
ENGINE



29  
**OPTIONAL EQUIPMENT**  
**Spark Arrester**



engine-bs.1cyl\_38

## REPAIR PARTS

TRACTOR - MODEL NO. LZ13597AK (96011025401), PRODUCT NO. 960 11 02-54  
ENGINE

KEY NO.	PART NO.	DESCRIPTION
1	532 17 05-51	Control Throttle
2	817 72 04-08	Screw Hex Thd Cut 1/4-20 x 1/2
3	-----	Engine B&S Model No. 21B807 (Order Parts From Engine Manufacturer)
4	532 17 97-58	Muffler LT B&S
13	532 16 52-91	Gasket
14	532 14 84-56	Tube Drain Oil Easy
23	532 16 98-37	Shield Brn/Dbr Guard
25	532 19 06-95	Control Choke
29	532 13 71-80	Kit Spark Arrestor (Flat Scrn)
31	532 40 75-16	Tank Fuel Front
32	532 19 77-25	Cap Asm Fuel
33	532 12 34-87	Clamp Hose Black
37	532 13 70-40	Line Fuel 20"
38	532 18 16-54	Plug Drain Oil Easy
40	532 12 40-28	Bushing Snap Nyl Blk Fuel Line
44	817 67 04-12	Screw Hexwsh Thdrol 1/4-20 x 3/4
45	817 00 06-12	Screw Hex Wsh Thdrol 3/8-16 x 3/4
46	819 09 14-16	Washer 9/32 x 7/8 x 16 Ga.
72	532 19 23-34	Screw Socket HD 5/16-18 x 3/4
78	817 06 06-20	Screw 3/8-16 x 1-1/4
81	873 51 04-00	Nut 1/4-20

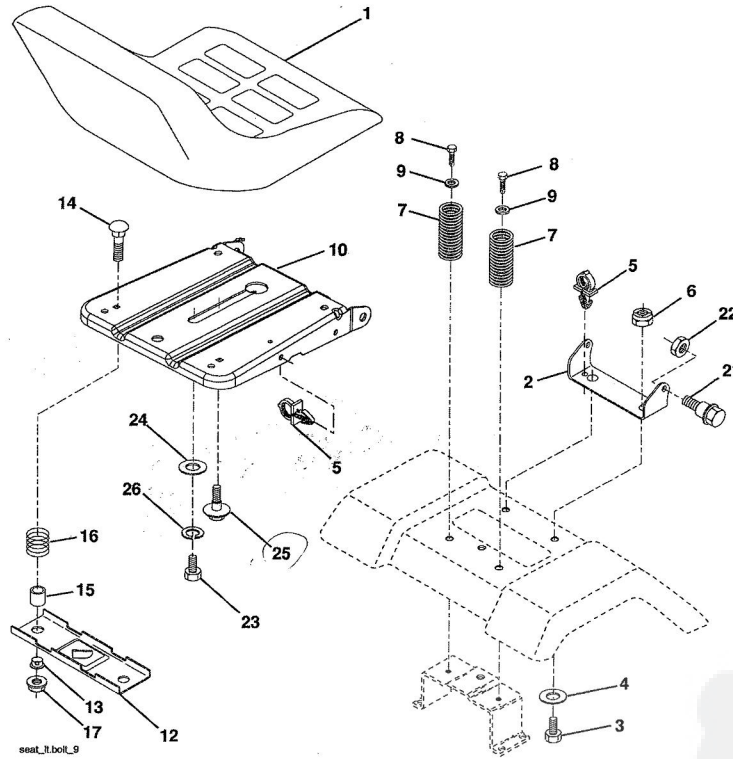
**NOTE:** All component dimensions given in U.S. inches  
1 inch = 25.4 mm

### Engine Power Rating Information

The gross power rating for individual gas engine models is labeled in accordance with SAE (Society of Automotive Engineers) code J11940 (Small Engine Power & Torque Rating Procedure), and rating performance has been obtained and corrected in accordance with SAE J1995 (Revision 2002-5). Actual gross engine power will be lower and is affected by, among other things, ambient operating conditions and engine-to-engine variability. Given both the wide array of products on which engines are placed and the variety of environmental issues applicable to operating the equipment, the gas engine will not develop the rated gross power when used in a given piece of power equipment (actual "on-site" or net horsepower). This difference is due to a variety of factors including, but not limited to, accessories (air cleaner, exhaust, charging, cooling, carburetor, fuel pump, etc.), application limitations, ambient operating conditions (temperature, humidity, altitude), and engine-to-engine variability. Due to manufacturing and capacity limitations, Briggs & Stratton may substitute an engine of higher rated power for this Series engine.

# REPAIR PARTS

TRACTOR - MODEL NO. LZ13597AK (96011025401), PRODUCT NO. 960 11 02-54  
SEAT ASSEMBLY



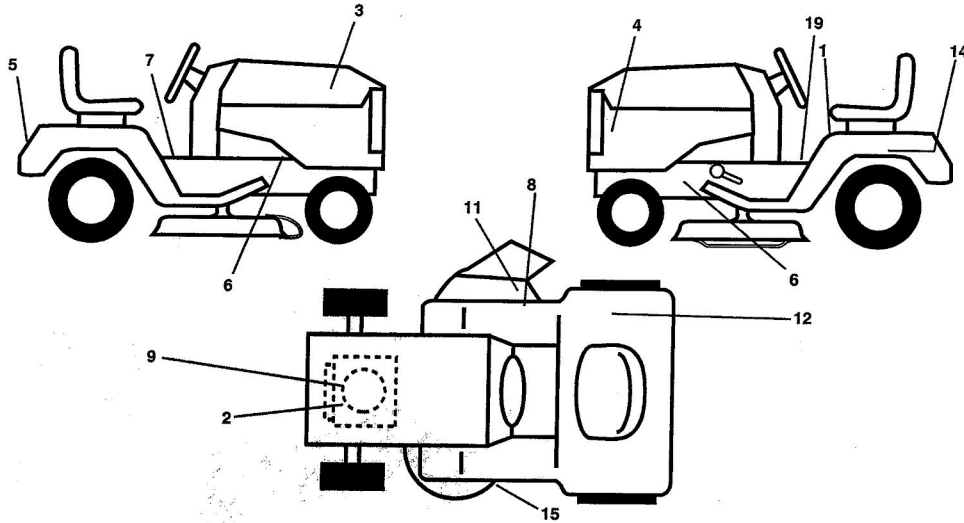
KEY NO.	PART NO.	DESCRIPTION
1	532 40 10-42	Seat
2	532 14 05-51	Bracket Pivot Seat 8 720
3	871 11 06-16	Bolt Fin Hex 3/8-16 unc x 1
4	819 13 16-10	Washer 13/32 x 1 x 10 Ga
5	532 14 50-06	Clip Push-In
6	873 80 06-00	Nut Hex w/Ins. 3/8-16 unc
7	532 12 41-81	Spring Seat Cprsn 2 250 Blk Zi
8	817 00 06-16	Screw 3/8-16 x 1-1/2
9	819 13 16-14	Washer 13/32 x 1 x 14 Ga.
10	532 19 55-30	Pan Seat
12	532 17 46-48	Bracket Mounting Switch
13	532 12 12-48	Bushing Snap Blk Nyl 50 Id

KEY NO.	PART NO.	DESCRIPTION
14	872 05 04-12	Bolt Rdhd Sqknk 1/4-20 x 1-1/2
15	532 13 43-00	Spacer Split 28 x 96 Yel Zinc
16	532 12 12-50	Spring Cprsn 1 27 Blk Pnt
17	532 12 39-76	Nut Lock 1/4 Lge Flg Gr. 5 Zinc
21	532 17 18-52	Bolt Shoulder 5/16-18 unc
22	873 80 05-00	Nut Hex Lock W/Ins 5/16-18
23	871 11 08-14	Bolt Hex
24	819 17 19-12	Washer 17/32 x 1-3/16 x 12 Ga.
25	532 12 70-18	Bolt Shoulder 5/16-18 x 62
26	810 04 08-00	Washer Lock Hvy HLCL SPR 1/2

NOTE: All component dimensions given in U.S. inches.  
1 inch = 25.4 mm

## REPAIR PARTS

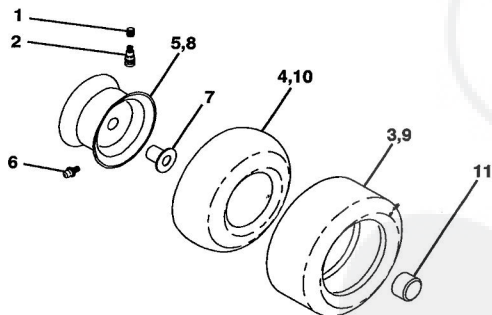
TRACTOR - MODEL NO. LZ13597AK (96011025401), PRODUCT NO. 960 11 02-54  
DECALS



KEY NO.	PART NO.	DESCRIPTION
1	532 40 03-89	Decal Warning Symbols CE
2	532 19 68-41	Decal Warning Eng Syms.
3	532 41 00-68	Decal Hood RH
4	532 41 00-70	Decal Hood LH
5	532 19 56-99	Decal Fender
6	532 15 97-36	Decal Chassis Hot Muffler
7	532 15 97-37	Decal Brake/Clutch Symbol LT
8	532 19 63-57	Decal Deflect Warning Cutting Finger
9	532 40 88-15	Decal Engine HP
11	532 18 21-66	Decal Mower Cut Finger Symbol

KEY NO.	PART NO.	DESCRIPTION
12	532 18 04-32	Decal 100 DE/CE
14	532 14 50-05	Decal Btry Dngr/PSN P/L Symbol
15	532 19 43-02	Decal V-Belt
19	532 14 08-37	Decal Parking Brake
--	532 16 25-98	Decal Drawbar
--	532 13 83-11	Decal Handle Lift Height Adjust
--	532 18 10-90	Pad Footrest RH
--	532 18 10-91	Pad Footrest LH
--	532 40 09-01	Manual Operator's (Euro.)
--	532 40 09-02	Manual Operator's (Scan.)
--	532 41 12-51	Manual Parts

### WHEELS & TIRES

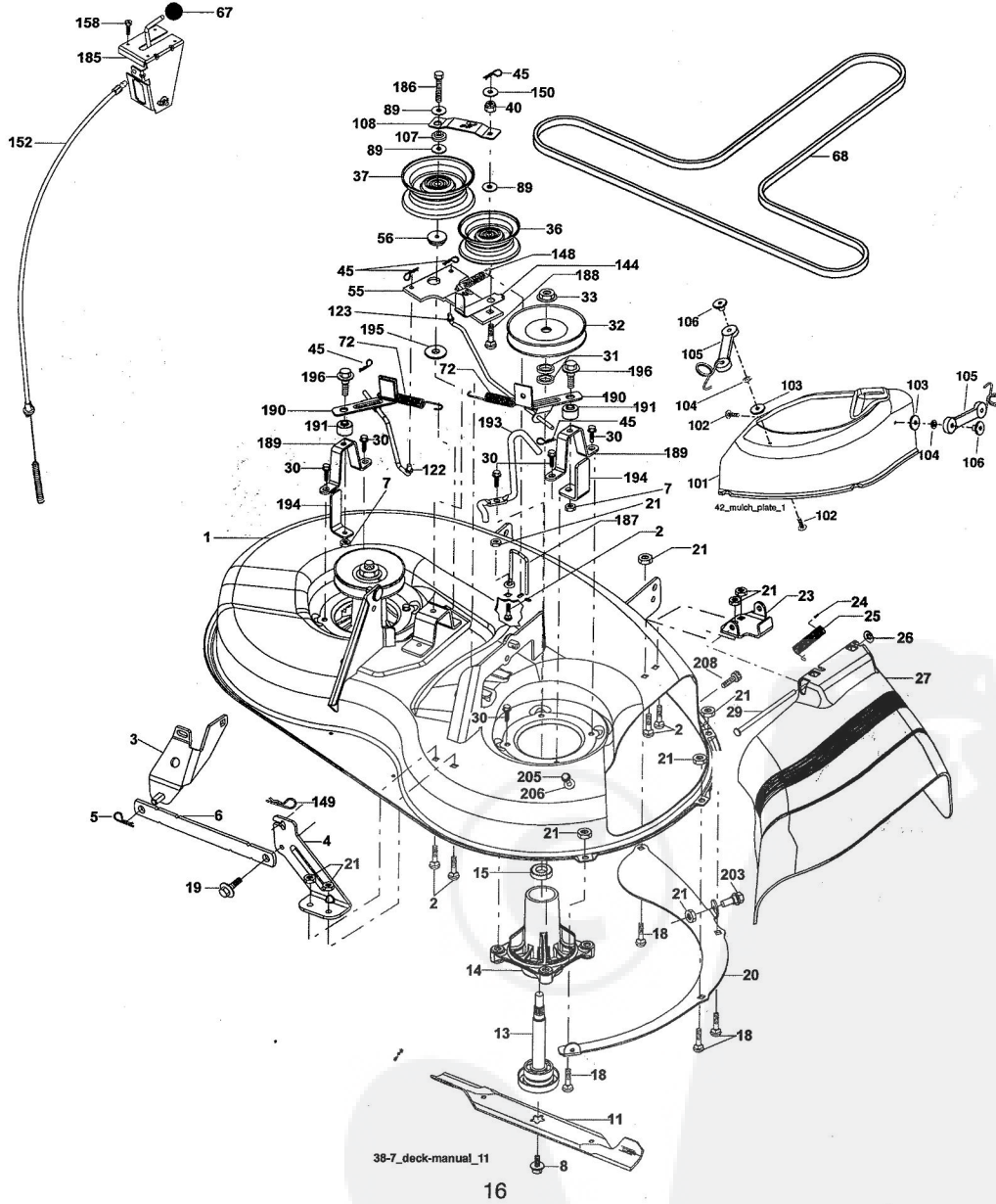


KEY NO.	PART NO.	DESCRIPTION
1	532 05 91-92	Cap Valve Tire
2	532 06 51-39	Stem Valve
3	532 10 62-22	Tire F Ts 15 x 6 0 - 6 Service
4	532 05 99-04	Tube Front (Service Item Only)
5	532 18 33-37	Rim Asm 6" front Service
6	532 12 49-57	Fitting Grease (Front Wheel Only)
7	532 12 49-59	Bearing Flange (Front Wheel Only)
8	532 18 33-38	Rim Asm 8" rear Service
9	532 10 62-68	Tire R Ts 18 x 9.5-8 Service
10	532 12 49-26	Tube Rear (Service Item Only)
11	532 17 50-39	Cap Axle Blk 1 50 x 1 00
--	532 14 43-34	Sealant, Tire ( 10 oz. Tube)

**NOTE:** All component dimensions given in U.S. inches  
1 inch = 25.4 mm

# REPAIR PARTS

TRACTOR - MODEL NO. LZ13597AK (96011025401), PRODUCT NO. 960 11 02-54  
MOWER DECK





## REPAIR PARTS

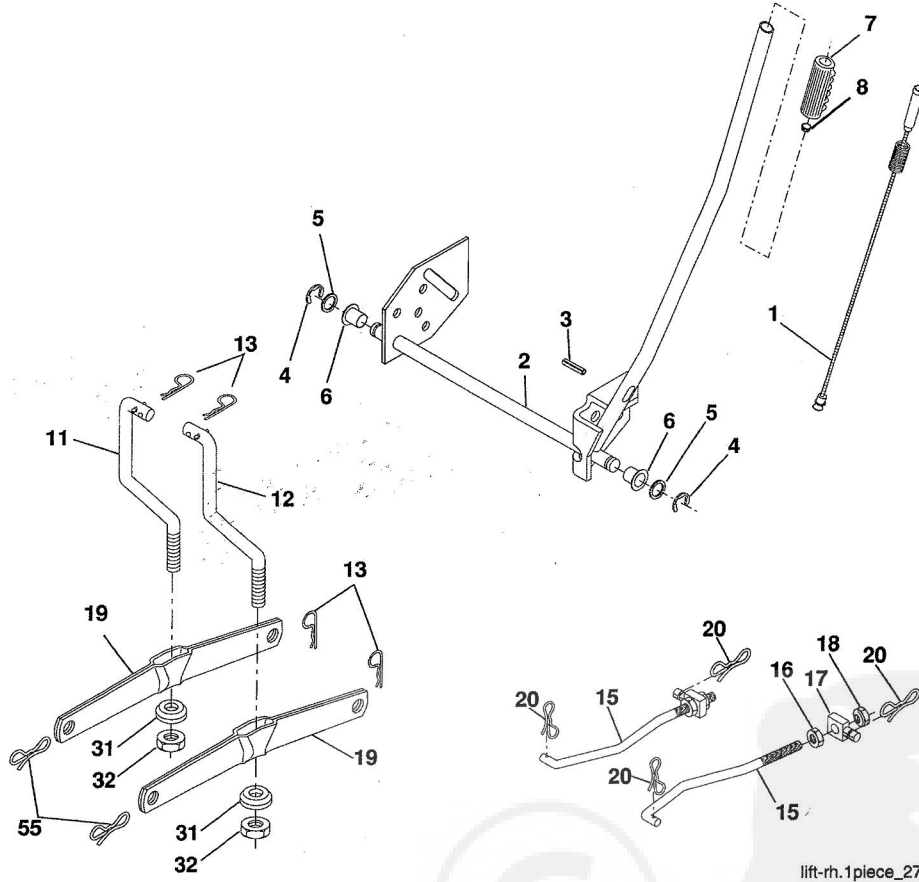
TRACTOR - MODEL NO. LZ13597AK (96011025401), PRODUCT NO. 960 11 02-54  
MOWER DECK

KEY NO.	PART NO.	DESCRIPTION	KEY NO.	PART NO.	DESCRIPTION
1	532 19 25-56	Mower Housing Assembly	101	532 19 25-73	Cover Mulching
2	872 14 05-06	Bolt Carriage 5/16-18 x 3/4	102	871 08 10-10	Screw 10-24 x 5/8
3	532 13 80-17	Bracket Asm Fr. Sway Bar	103	819 06 12-16	Washer #10
4	532 19 25-68	Bracket Deck Sway Bar 38"/42"	104	810 07 10-00	Washer Lock
5	532 12 46-70	Retainer Spring	105	532 16 07-93	Latch Asm.
6	532 17 80-24	Bar Sway Deck	106	532 00 20-20	Nut Weld
7	873 80 05-00	Nut Lock Hex w/Ins. 5/16-18 unc	107	532 13 35-02	Spacer Retainer
8	532 19 30-03	Bolt 3/8-24 x 1.25 Gr. 8	108	532 13 35-03	Stiffener, Idler Arm
11	532 19 39-57	Blade Mower	122	532 41 01-89	Rod, Brake LH
13	532 19 28-72	Shaft Assembly, Mandrel, Vented	123	532 41 01-90	Rod, Brake RH
14	532 18 72-81	Housing, Mandrel, Vented	144	532 19 34-14	Keeper Belt Idler Tension
15	532 11 04-85	Bearing, Ball, Mandrel	148	532 16 90-22	Spring Return Idler
18	872 14 05-05	Bolt Rdhd Sqnk 5/16-18 x 5/8	149	532 16 58-98	Retainer Spring Yellow
19	532 13 28-27	Bolt, Shoulder	150	819 09 12-10	Washer 9/32 x 3/4 x 10 Ga.
20	532 40 00-95	Baffle Vortex Front	152	532 19 32-35	Clutch Cable 38"/46"
21	873 68 05-00	Nut	158	817 72 04-08	Screw Hex Thd Cut 1/4-20 x 1/2
23	532 19 25-57	Bracket, Mower Deflector	185	532 18 82-34	Head Asm Cable Clutch
24	532 10 53-04	Cap, Sleeve	186	817 49 06-44	Screw Hex Wsh Thdrol 3/8-16 x 2-3/4
25	532 19 70-26	Spring, Torsion, Deflector	187	532 19 34-12	Keeper Belt
26	532 11 04-52	Nut, Push	188	532 16 58-91	Bolt Carriage Idler
27	532 40 14-72	Shield, Deflector	189	532 19 25-59	Stand, Brake
29	532 13 14-91	Rod, Hinge	190	532 19 25-60	Arm, Brake
30	532 17 39-84	Screw Thdrol.	191	532 19 25-61	Spacer, Brake
31	532 18 76-90	Washer, Spacer	193	532 19 34-13	Keeper Belt Rh Mandrel
32	532 15 35-32	Pulley, Mandrel	194	532 19 41-05	Guard Brake
33	532 40 02-34	Nut, Toplock	195	819 13 32-10	Washer 13/32 x 2 x 10 Ga.
36	532 13 14-94	Pulley, Idler, Flat	196	532 19 37-82	Bolt/Washer Asm 5/16-18
37	532 19 31-98	Pulley Idler Flat	--	532 19 25-58	Brake Assembly (Includes Stand, Arm and Guard Components)
40	873 68 06-00	Nut, Crownlock 3/8-16 unc	--	532 19 28-70	Mandrel Assembly (Includes Housing, Shaft and Shaft Hardware Only - Pulley Not Included)
45	532 12 47-88	Retainer	--	532 19 36-46	Replacement Mower, Complete
55	532 13 38-40	Idler Arm Assembly			
56	532 16 57-23	Spacer, Retainer			
67	532 10 69-32	Knob			
68	532 19 32-14	V-Belt			
72	532 19 32-16	Spring Brake Return			
89	819 13 13-11	Washer 13/32 x 13/16 x 11 Ga.			

NOTE: All component dimensions given in U.S. inches  
1 inch = 25.4 mm

# REPAIR PARTS

TRACTOR - MODEL NO. LZ13597AK (96011025401), PRODUCT NO. 960 11 02-54  
MOWER LIFT



lift-rh.1piece\_27

KEY NO.	PART NO.	DESCRIPTION
1	532 19 84-17	Wire Asm Inner/Spring W/plunger
2	532 19 80-70	Shaft Asm Lift
3	532 18 88-22	Pin Groove
4	812 00 00-02	E Ring #5133-62
5	819 21 16-21	Washer PLTD 21/32 x 1 x 21 Ga.
6	532 12 01-83	Bearing Nylon Blk 629 Id
7	532 10 94-13	Grip Handle
8	532 12 45-26	Button Plunger Black
11	532 13 98-65	Link Lift LH
12	532 13 98-66	Link Lift RH
13	532 12 46-70	Retainer Spring

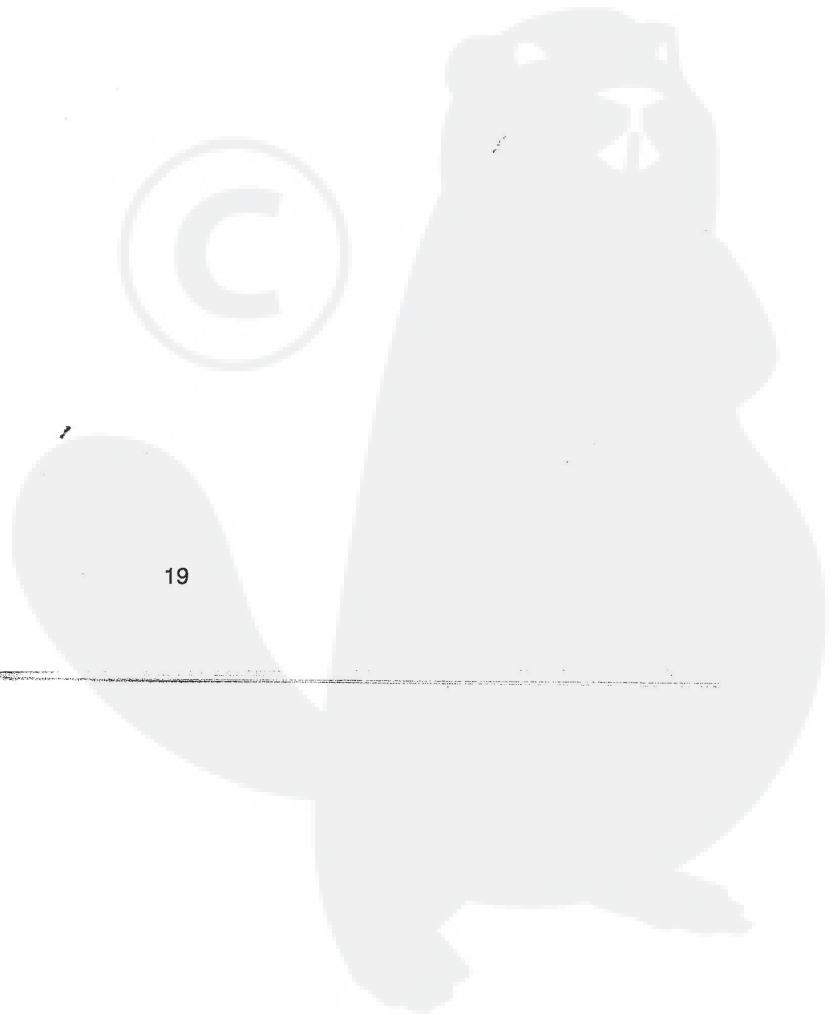
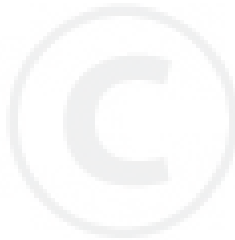
KEY NO.	PART NO.	DESCRIPTION
15	532 17 32-88	Link Front
16	873 35 08-00	Nut Jam Hex 1/2-13 unc
17	532 17 56-89	Trunnion
18	873 80 08-00	Nut Lock W/wsh 1/2-13 unc
19	532 13 98-68	Arm Suspension Rear
20	532 19 42-09	Spring, Retainer
31	532 16 98-65	Bearing Pvt. Lift
32	873 54 06-00	Nut Crownlock 3/8-24
55	532 19 42-08	Nut Crownlock 3/8-24

NOTE: All component dimensions given in U.S. inches  
1 inch = 25.4 mm

---

## SERVICE NOTES

---



## GARANTIE LIMITÉE

Le Fabricant garantit son produit à l'acheteur initial comme exempt de tout défaut de matière et de fabrication. Pendant un (1) an, à compter de la date d'achat de la part de l'acheteur initial, nous réparerons ou remplacerons à notre choix, gratuitement, toute pièce, sur laquelle nous estimerons qu'il existe un défaut de matière ou de fabrication. Cette garantie est soumise aux limitations suivants et exceptions:

1. Cette garantie ne couvre pas le moteur, la transmission/composants de transmission, la batterie (sauf comme mentionnée ci-dessous) ou les pièces détachées. Veuillez-vous consulter la garantie applicable du fabricant des articles.
2. L'acheteur est responsable de coût du transport de tous les équipements actionnés par moteur ou les accessoires. L'acheteur est responsable de coût aussi du transport de toutes les pièces (couvertes par cette garantie) soumiés pour remplacement à moins que Electrolux Home Products demande à l'acheteur de renvoyer les pièces.
3. Garantie de la batterie: Pour les produits équipés d'une batterie, nous remplacerons, gratuitement, toute batterie estimée défectueuse pendant les quatre-vingt-dix (90) jours initiaux suivant l'achat. Après quatre-vingt-dix (90) jours, nous échangerons la batterie, le coût pour vous être 1/12 du prix d'une nouvelle batterie pour chaque mois complet à compter de la date d'achat initial. La batterie doit être entretenue selon les directives données dans la documentation appropriée.
4. La période de garantie applicable aux produits proposés en location ou à des fins commerciales est limitée à quarante-cinq (90) jours à compter de la date d'achat initial.
5. Cette garantie ne s'applique qu'aux produits correctement assemblés, réglés, utilisés et entretenus conformément aux instructions données dans la documentation appropriée. Cette garantie ne s'applique pas aux produits qui ont été modifié, utilisés incorrectement, abusés, mal assemblés, mal installés ou endommagés lors de la livraison ou usage normal.
6. Exclusions: Les courroies, lames, moyeux de lames, usage normal, réglages normaux, quincaillerie ordinaire, et entretien normal sont exclus de cette garantie.
7. En cas de problème entrant dans le cadre de cette garantie, veuillez contacter votre point de vente, en indiquant le numéro du modèle, le numéro de série, la date d'achat de votre machine. Cette garantie ne s'applique pas aux dommages accidentels. Toutes garanties implicites sont limitées aux mêmes périodes de temps. Ou contactez:

E.M. Services  
54 Rue Lambrechts  
92400 Courbevoie - France  
Telephone: (1) 46678078  
Fax: (1) 46678095

CETTE GARANTIE NE S'APPLIQUE PAS AUX DOMMAGES ACCIDENTELS. TOUTES GARANTIES IMPLICITES SONT LIMITÉES AUX MEMES PERIODES DE TEMPS.



LAZER®