

BACK PACK SPRAYER MODEL HP7S26H25 EU W/HONDA GX25

REF.NO	PARTS CODE	DESCRIPTION IN ENGLISH	QTY
100	800200956	RID	1
101	800200957	PACKING	1
102	800200958	CAP	1
103	800200959	FILTER	1
104	800200960	TANK ASS'Y 26L	1
105	800200963	NOZZLE HOLDER	1
106	800200964	SCREW	2
107	800200965	HANGER STRAP STEM	1
108	800200966	SCREW	4
109	800200967	STAY	2
110	800200968	PACKING	1
111	800200969	SCREW	8
112	800200970	NUT	8
113	800200971	PROTECTOR	1
200	800200972	FRAME	1
201	800200973	BACK PLATE	1
202	800200974	CAP	1
203	800200975	LEVER	1
204	800200976	O-RING	1
205	800200977	SPRING	1
206	800200978	PACKING	1
207	800200979	VALVE	1
208	800200980	SCREW	2
209	800200981	CUSHION	1
210	800200982	SCREW	4
211	800200983	HANG STRAP STEM	1
212	800200984	HANGING BAND ASS`Y	1
214	800200985	HANG STRAP STEM	2
215	800200990	WASHER	4
300	801689407	ENGINE	1
301	800200986	ENGINE BASE	1
302	801682666	DAMPER	1
303	800200987	ENGINE BASE	1
304	800200988	SCREW	1
305	801655381	DAMPER	2

BACK PACK SPRAYER MODEL HP7S26H25 EU W/HONDA GX25

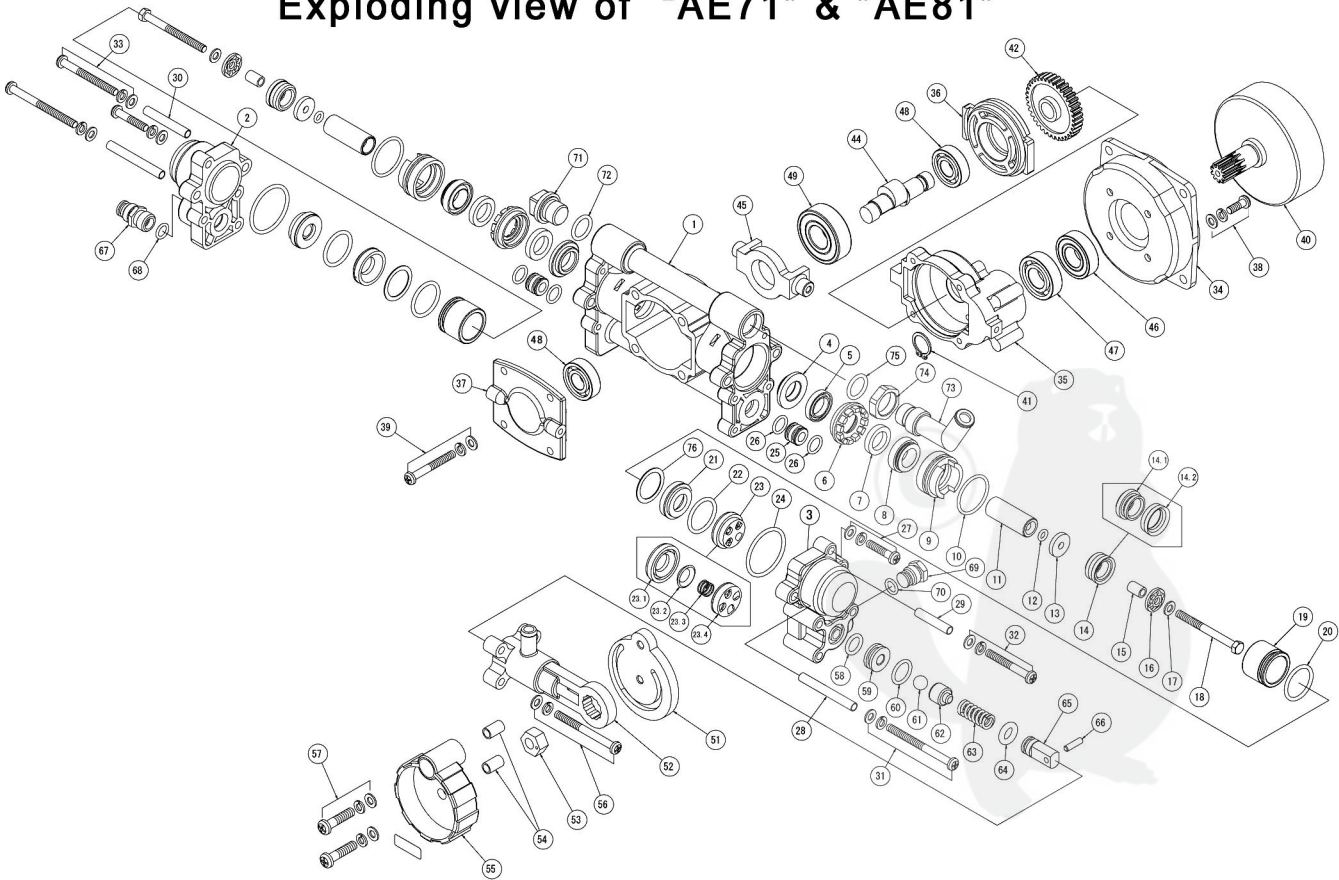
REF.NO	PARTS CODE	DESCRIPTION IN ENGLISH	QTY
306	800200989	FLANGE NUT	3
307	800200990	WASHER	3
308	800200991	BOLT	4
400	801676452	PUMP ASS`Y	1
500	800200992	HOSE	1
501	800200993	HOSE	1
502	800200994	TUBE	1
503	800200995	MALE JOINT	1
504	800200996	PACKING	1
505	800200997	FILTER	1
506	800200998	CRAMP	2
507	800200999	MALE JOINT	1
508	800201000	CRAMP	1
509	800201001	NUT	1
510	800201002	STAY	1
511	800990380	THROTTLE LEVER	1
512	800201048	NUT	1
513	800200115	SPRING WASHER	1
514	800201003	COLLAR	1
515	800888030	SWITCH	1
516	800201004	TUBE	1
517	800201005	CODE ASS`Y	1
518	800200034	SCREW	1
519	800201006	SCREW	1
520	800200110	NUT	1
521	800201007	SCREW	2
522	800200990	WASHER	2
523	800201008	NUT	2
524	800201009	WIRE ASS`Y	1
525	800200315	SPANNER ASS`Y	1
600	800200307	BALL COCK	1
OPTION	805209290	LEVER COCK W/QUICK STOPPER	1
601	800200335	GRIP	1
602	800201411	HOSE ASS'Y	1
603	800200308	LANCE	1

BACK PACK SPRAYER MODEL HP7S26H25 EU

REF.NO	PARTS CODE	DESCRIPTION IN ENGLISH	QTY
603	800200308	LANCE	1
604	801685191	NOZZLE	1
605	800201011	FLEXIBLE JOINT	1



Exploding view of "AE71" & "AE81"



REF NO.	CODE NO.	DESCRIPTION	Q' TY
	801676453	PUMP ASS' Y TYPE AE7	1
	800200374	PUMP ASS' Y TYPE AE5	1
1	800200212	CRANK CASE	1
2	800200213	DISCHARGE HOUSING	1
3	800200214	DISCHARGE HOUSING	1
4	800200215	COLLAR	2
5	801689548	OIL SEAL	2
6	800200216	GREASE RING	2
7	800200217	PACKING	2
8	801689549	WATER SEAL	2
9	800200218	OIL SEAL CASE	2
10	801650712	O- RING	2
11	800200219	POSTON ROD	2
12	800200220	O- RING	2
13	800200221	VALVE SEAT	2
14	800200222	VALVE ASSY	2
14, 1	800200223	VALVE	2
14, 2	801689547	PISTON PACKING	2
15	800200224	COLLAR	2
16	800200225	WASHER	2
17	800200226	WASHER	2
18	800200227	BOLT	2
19	800200228	CYLINDER	2
20	800033581	O- RING	2
21	800200229	VALVE GUIDE	2
22	800033581	O- RING	2
23	800200230	VALVE ASSY	2
23, 1	800200231	VALVE SEAT	2
23, 2	800200232	VALVE	2
23, 3	800200233	SPRING	2
23, 4	800200234	VALVE CASE	2
24	800200235	O- RING	2
25	800200236	COLLAR	2
26	800200237	O- RING	4
27	800200238	SCREW	5
28	800200239	COLLAR	2
29	800200240	COLLAR	1
30	800200241	COLLAR	1
31	800200242	SCREW	2
32	800200243	SCREW	1
33	800200244	SCREW	1
34	800200245	CLUTCH CASE	1
35	800200246	GEAR CASE	1
36	800200247	BEARING CASE	1
37	800200248	BEARING CASE	1
38	800200249	SCREW	4
39	800200250	SCREW	4
40	800200251	CLUTCH DRUM	1
41	800200252	STOPPER	1
42	800200253	GEAR	1
44	800200254	CAM FOR PUMP TYPE AE7 HP7S26H25	1
	800200409	CAM FOR PUMP TYPE AE5 HP5S17H25	1

45	800200255	CON-ROD	1
46	800047030	BEARING	1
47	800200256	BEARING	1
48	800200257	BEARING	2
49	800200258	BEARING	1
51	800200259	HANDLE	1
52	800200260	SPRING CASE	1
53	800200261	COLLAR	1
54	800200262	COLLAR	2
55	800200263	HANDLE	1
56	800200250	SCREW	3
57	800200264	SCREW	2
58	800200265	O-RING	1
59	800200266	VALVE SEAT	1
60	800200267	O-RING	1
61	801663364	BALL	1
62	800200268	WASHER	1
63	800200269	SPRING	1
64	800033511	O-RING	1
65	800200270	WASHER	1
66	800200271	PIN	1
67	800200272	NIPPLE	1
68	800200273	O-RING	1
69	800200274	PLUG	1
70	800200273	O-RING	1
71	800200275	PLUG	1
72	800200267	O-RING	1
76	800200927	WASHER	1

73 800200276 connector bolt
74 800200277 nut
75 800200267 o-ring



BACK PACK SPRAYER MODEL HP7S26H25 EU W/HONDA GX25

REF.NO	PARTS CODE	DESCRIPTION IN ENGLISH	QTY
604	801685191	NOZZLE TIP NND7	1
605	800201011	FLEXIBLE JOINT	1

