

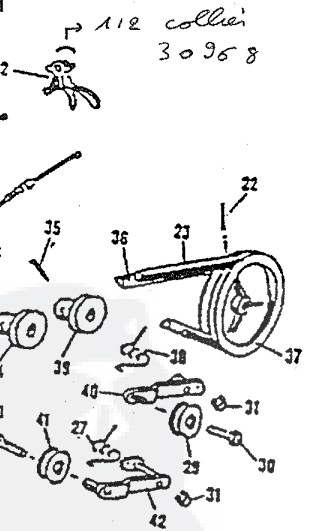
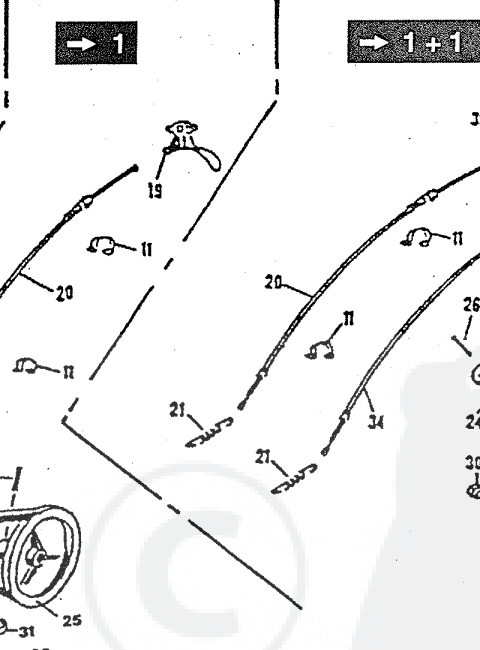
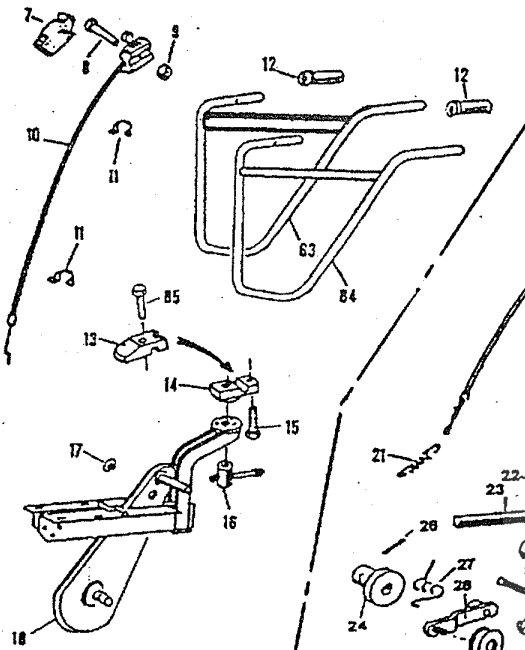
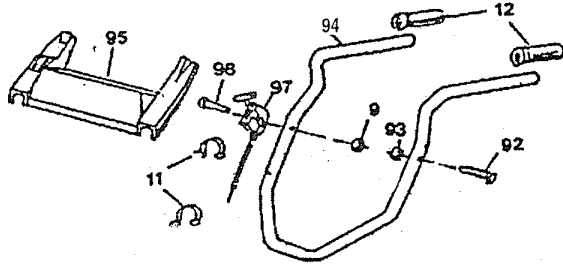
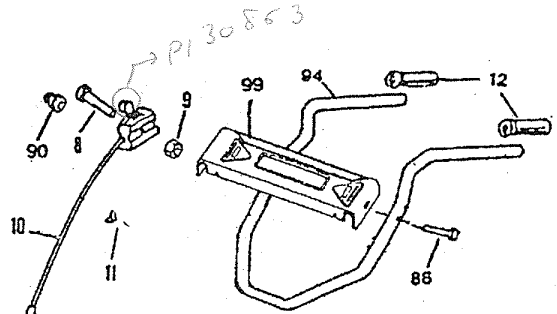
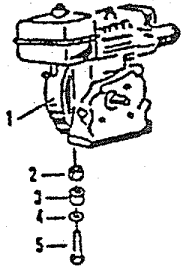


# ES 25B - ES 25BR = 25 R6

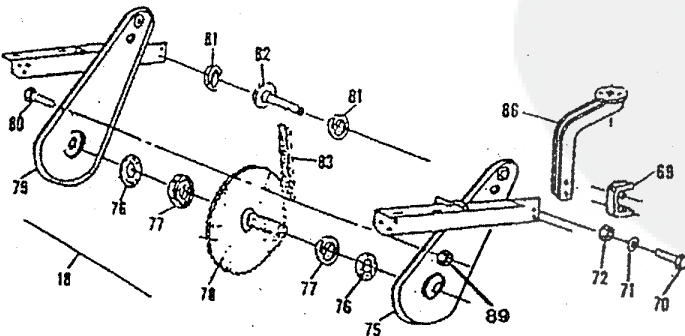
MOTOBINEUSES  
TILLERS  
MOTORHACKEN

S.2

## PB25BR



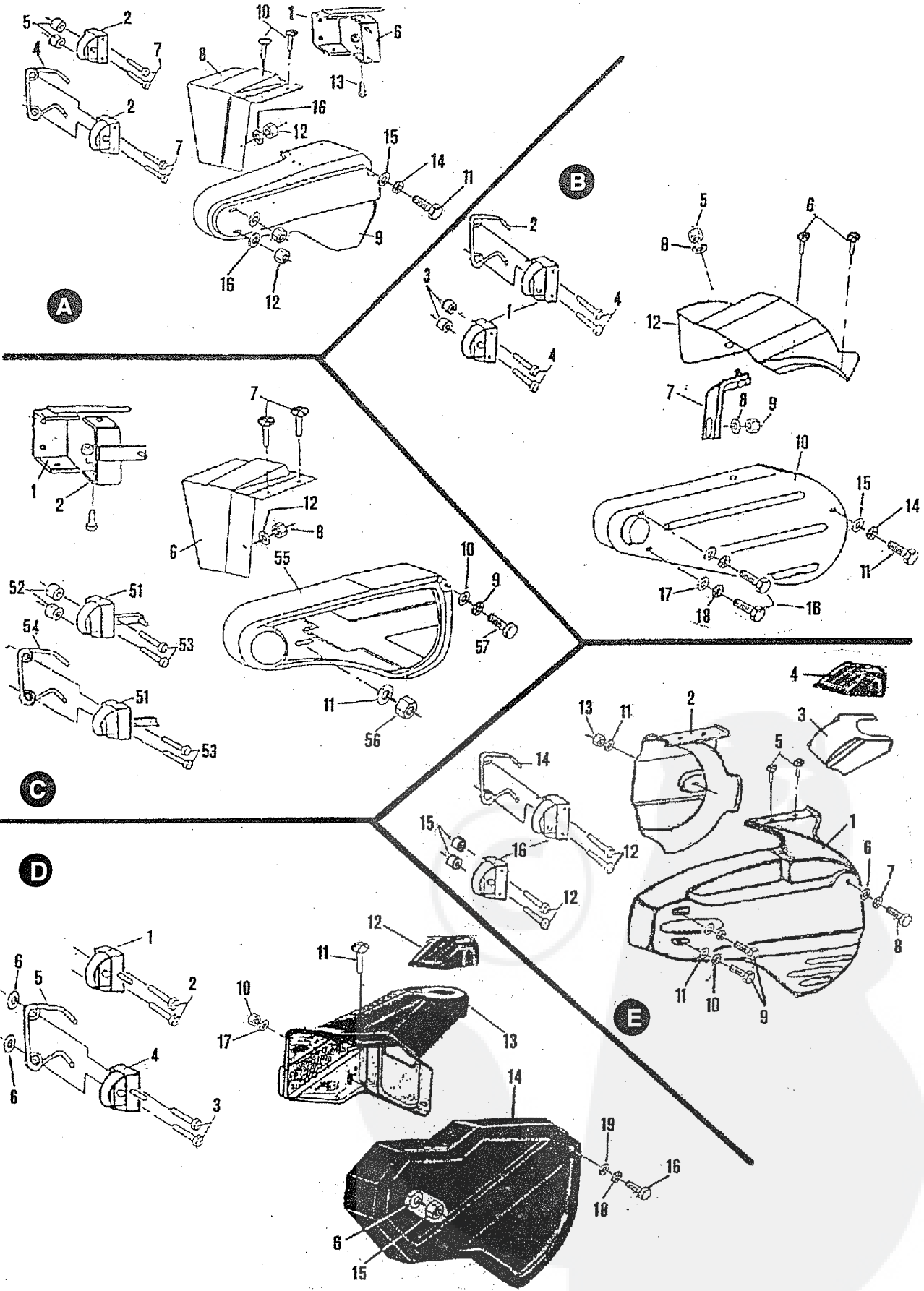
Carter boulonné  
Revited carter  
Genietet Rahmen  
Carter vite





| Rep<br>Nr No | Réf. Ref<br>Besuchnr | Désignation - Part name<br>Bezeichnung - Descrizione   | *  | 3,5 cv<br>➤1 | 5 cv<br>➤1 | 5 cv<br>➤1 |
|--------------|----------------------|--|----|--------------|------------|------------|
| 1            |                      | Moteur -Engine - Motor - Motore  |    |              |            |            |
| 2            | Z53.8                | Ecrou - Nut - Mutter - Dado - Tuerca   | X  | X            | X          | X          |
| 3            | 10124                | Entretoise - Spacer - Abstandshülse - Distanziale  |    |              |            | X          |
| 4            | Z08L8N               | Rondelle - Washer - Schelbe - Rondella   | 4  | 4            | 4          | 4          |
| 5            | Z03.8.35             | Vis - Bolt - Schraube - Vite   | 2  |              |            |            |
|              | Z03.8.40             | Vis - Bolt - Schraube - Vite   | 2  |              |            |            |
|              | Z03.8.45             | Vis - Bolt - Schraube - Vite   |    | 2            | 2          |            |
|              | Z03.8.50             | Vis - Bolt - Schraube - Vite   |    | 2            | 2          |            |
| 7            | 30407                | Boîtier - Plastic cap - Durchsteckschr. Aweckung - Copri   | X  | X            | X          |            |
| 8            | Z03.5.45             | Vis - Bolt - Schraube - Vite   | X  | X            | X          |            |
| 9            | Z53.5                | Ecrou - Nut - Mutter - Dado  | 1  | 1            | 1          | 1          |
| 10           | 30525                | Commande - Throttle control - Gashebelgestange - Commando  | X  | X            | X          |            |
| 11           | 42032                | Collier - Clip - Klemmschelle - Ferma cavo   | 4  | 4            | 4          |            |
| 12           | 16706                | Poignée - Handlebar grip - Sterzgriff - Manopola   | 2  | 2            | 2          |            |
| 13           | 31182                | Support - Support - Träger - Supporto  | X  | X            | X          |            |
| 14           | 33426                | Support - Support - Träger - Supporto  | X  | X            | X          |            |
| 15           | Z03.8.40             | Vis - Screw - Schraube - Vite  | 1  | 1            | 1          |            |
| 16           | 30748                | Ecrou - Nut - Mutter - Dado  | 1  | 1            | 1          |            |
| 17           | 10055                | Obturateur - Plastic plug - Verschluß - Otturatore   | 2  | 2            | 2          |            |
| 18           | 31181                | Carter soudé - Welded casing - Getriebekasten, geschweißt - Carter                                   | X  | X            |            |            |
|              | 31201                | Carter soudé - Welded casing - Getriebekasten, geschweißt - Carter                                   |    |              |            | X          |
|              | 31186                | Carter boulonné - Bolted casing - Getriebekasten, verbolzt - Carter                                  | X  | X            |            |            |
|              | 31206                | Carter boulonné - Bolted casing - Getriebekasten, verbolzt - Carter                                  |    |              |            | X          |
| 19           | 30803                | Poignée - Clutch lever - Kupplungshebel - Leva   | 1  | 1            |            |            |
| 20           | 31351                | Timonerie - Clutch control - Gestänge - Commando   | 1  | 1            | 1          |            |
| 21           | 30564                | Ressort - Clutch spring - Kupplungsfeder - Molla   | 1  | 1            | 2          |            |
| 22           | 013.6.25             | Goupille - Pin - Splint - Spina  | 1  | 1            | 1          |            |
| 23           | 31207                | Courroie - Belt - Riemen - Cinghia   | 1  | 1            | 1          |            |
| 24           | 30544                | Poulie - Pulley - Treibschelbe - Puleggia  | 1  | 1            | 1          |            |
| 25           | 30619                | Poulie - Pulley - Treibschelbe - Puleggia  | 1  | 1            |            |            |
| 26           | 052.8.8              | Vis - Screw - Schraube - Vite  | 1  | 1            | 1          |            |
| 27           | 30563                | Ressort - Spring - Rückzugfelder - Molla   | 1  | 1            | 1          |            |
| 28           | 30557                | Bras - Arm - Vorrichtung - Supporto  | 1  | 1            |            |            |
| 29           | 30554                | Galet - Tension wheel - Riemenspanrolle - Ruotino tenditore  | 1  | 1            | 1          |            |
| 30           | Z03.10.20            | Vis - Bolt - Schraube - Vite   | 1  | 1            | 2          |            |
| 31           | 062.RS 9             | Circlip - Circlip - Clips - Seeger   | 2  | 2            | 3          |            |
| 32           | 30804                | Poignée double - Double clutch - Kupplungsgriff - Manopola   |    |              |            | 1          |
| 34           | 31352                | Timonerie M. arrière - Clutch control - Kupplungsgestänge - Commando                                 |    |              |            | X          |
| 35           | 024.6.10             | Vis - pointed screw - Schraube - Vite  |    |              |            | 1          |
| 36           | 31202                | Courroie - Belt - Riemen - Cinghia   |    |              |            | 1          |
| 37           | 31203                | Poulie - Pulley - Treibrab - Puleggia  |    |              |            | 1          |
| 38           | 30477                | Ressort Bras - Arm - Rückzugsfeder - Molla   |    |              |            | 1          |
| 39           | 30457                | Poulie M. arrière - Pulley - Treibscheibe - Puleggia   |    |              |            | 1          |
| 40           | 30749                | Bras M. arrière - Arm - Vorrichtung - Supporto ruotino   |    |              |            | 1          |
| 41           | 11030                | Galet M. Avant - Tensioner wheel - Riemenspanrolle - Ruotino   |    |              |            | 1          |
| 42           | 30670                | Bras M. Avant - Arm - Vorrichtung - Supporto   |    |              |            | X          |
|              | 33503                | Bras M. Avant pour HONDA M. Arrière - Arm HONDA reverse - HONDA Rückwärtsgang Vorrichtung - Supporto |    |              |            | X          |
| 63           | 32878.V.L.           | Mancheron - Handelbar - Sterz - Manico   | 1  | 1            | 1          |            |
| 69           | 31168                | Chape - Mainframe yoke - Abdeckung Sporn - Supporto  | X  | X            | X          |            |
| 70           | 003.10.60            | Vis - Belt - Schraube - Vite   | 2  | 2            | 2          |            |
| 71           | 012.10.AZ            | Rondelle - Washer - Scheibe - Rondella   | 2  | 2            | 2          |            |
| 72           | 011.10               | Ecrou - Nut - Mutter - Dado  | 2  | 2            | 2          |            |
| 75           | 31171                | Demi-carter - Transmission casing - Halbes Getriebegehäuse - Carter izdo                             | X  | X            |            |            |
|              | 31173                | Demi-carter - Transmission casing - Halbes Getriebegehäuse - Carter izdo                             |    |              |            | X          |
| 76           | 16625                | Joint - Rotary hoe shaft seal - Wellendichtung - Rasamento   | 2  | 2            | 2          |            |
| 77           | 030.6007.2           | Roulement - Bearing - Kugellager, dicht - Cuscinetto   | 2  | 2            | 2          |            |
| 78           | 30518                | Arbre - Rotary hoe shaft - Welle Fräsenträger - Albero   | 1  | 1            | 1          |            |
| 79           | 31172                | Demi-carter - Transmission casing - Halbes Getriebegehäuse - Carter derecho                          | X  | X            | X          |            |
| 80           | Z03.5.10             | Boulon - Bolt - Schraube - Vite  | 20 | 20           | 20         |            |
| 81           | 030.6003.2           | Roulement - Bearing - Kugellager, dicht - Cuscinetto   | 2  | 2            | 2          |            |
| 82           | 30515                | Arbre - Mainshaft - Antriebswelle - Albero   | 1  | 1            | 1          |            |
| 83           | 30521                | Chaine - Chain - Kette - Catena  | 1  | 1            | 1          |            |
| 84           | 31187                | Mancheron - Handlebar - Sterz - Manico   | 1  | 1            | 1          |            |
| 85           | Z03.12.110           | Vis - Screw - Schraube - Vite  | 1  | 1            | 1          |            |
| 86           | 33417                | Potence - Fixed Stanchion - Träger - Supporto  | 1  | 1            | 1          |            |
| 88           | Z03.6.35             | Vis - Screw - Schraube - Vite  | 1  | 1            | 1          |            |
| 89           | Z53.5                | Ecrou - Nut - Mutter - Dado  | 20 | 20           | 20         |            |
| 90           | 31529                | Cache-écrou - Plastic cap - Mutterabdeckung - Copri  | 1  | 1            | 1          |            |
| 92           | Z03.6.35             | Vis - Screw - Schraube - Vite  | 1  | 1            | 1          |            |
| 93           | Z53.6                | Ecrou - Nut - Mutter - Dado  | X  | X            | X          |            |
| 94           | 31208                | Mancheron - Handlebar - Sterz - Manico   | 1  | 1            | 1          |            |
| 95           | 30835                | Tableau de bord - Control panel - Instrumentafel - Cruscotto   | 1  | 1            | 1          |            |
| 97           | 72356                | Commande - Throttle control - Gashebelgestange - Commando  | 1  | 1            | 1          |            |
| 98           | Z03.5.50             | Vis - Screw - Schraube - Vite  | 1  | 1            | 1          |            |
| 99           | 73110                | Tableau de bord - Control panel - Instrumentafel - Cruscotto   | X  | X            | X          |            |

\* ➤ 1 : 1 vitesse avant / 1 front gear  
 ➤ 1+1 : 1 vitesse avant + 1 vitesse arrière / 1 front gear + 1 reverse



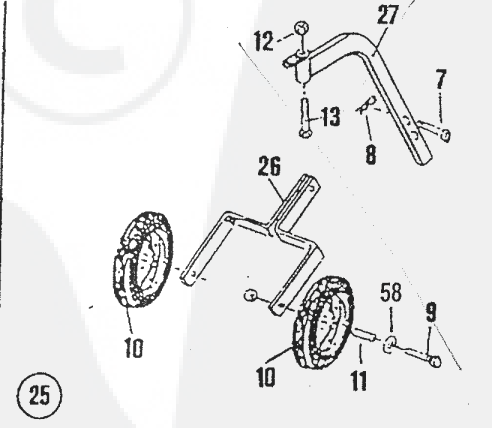
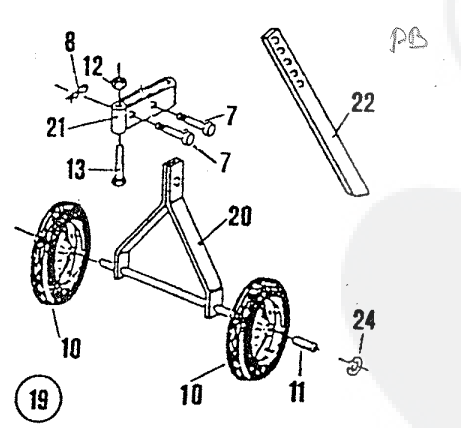
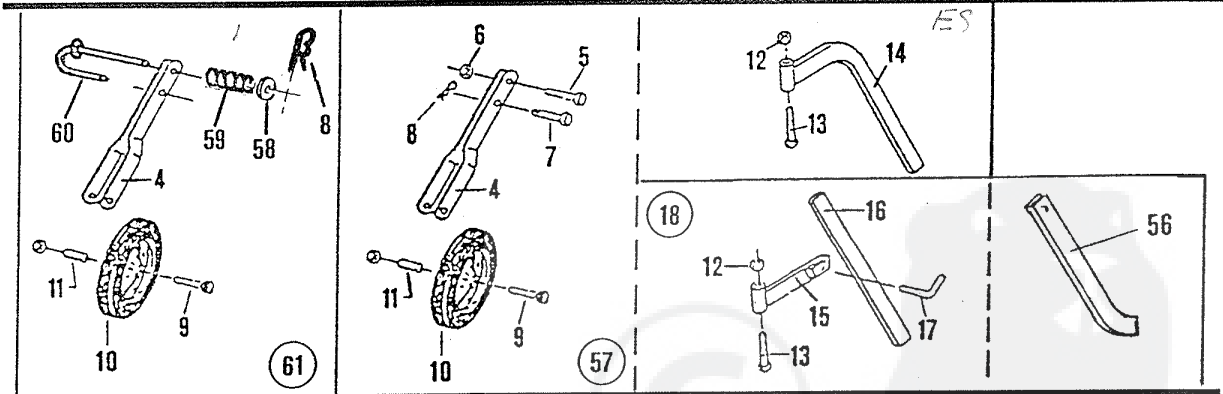
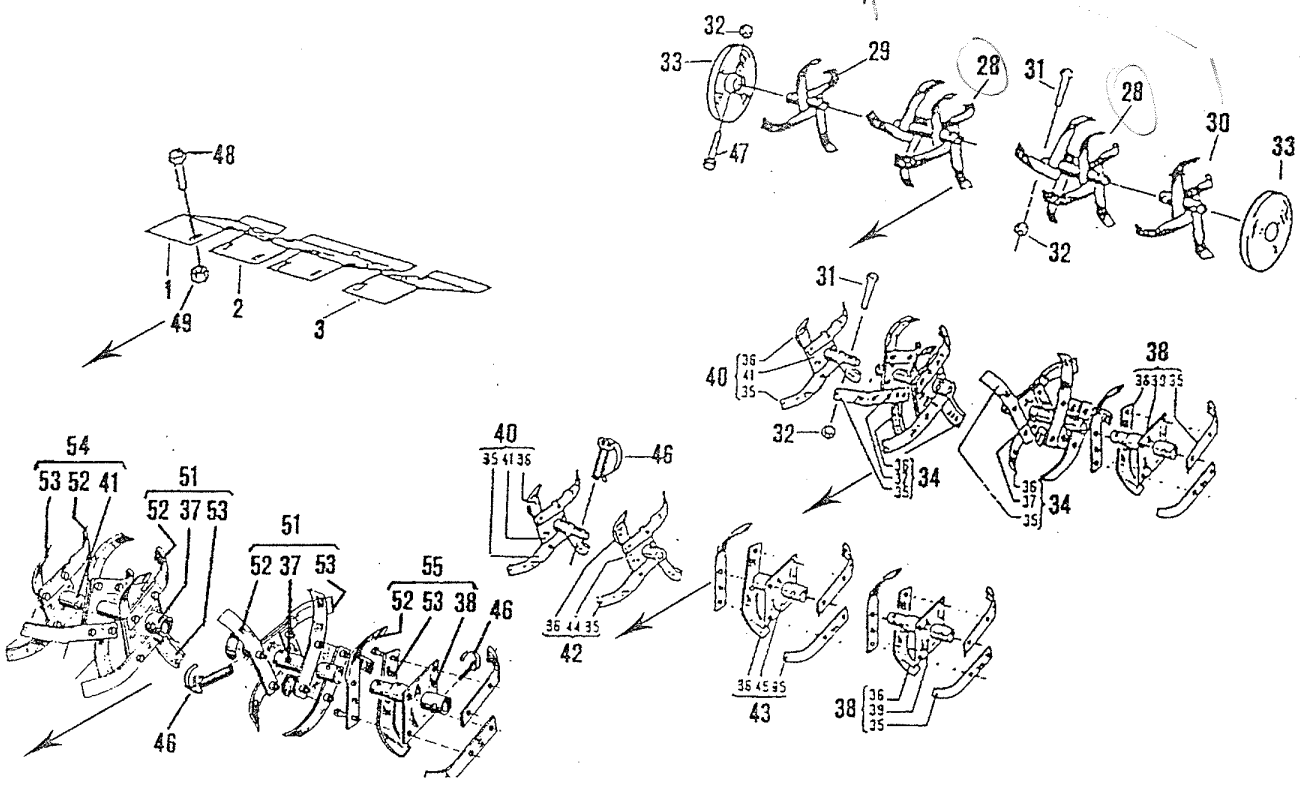


| Rep Nr No | Réf. Artikal | Ref. Ref.    | Designation - Part name<br>Bezeichnung - Descrizione            | *<br>3,5 cv<br>➤ 1  | 5 cv<br>➤ 1 | 5 cv<br>➤ 1+1 | 4 cv 0H<br>➤ 2+ |   |
|-----------|--------------|--------------|---|---|-------------|---------------|-----------------|---|
| <b>A</b>  | 1            | 31299        | Guide-courroie - Vee belt guide - Riemenführung - Guida cinghia |   |             |               | X               |   |
|           | 2            | 31297        | Guide-courroie - Vee belt guide - Riemenführung - Guida cinghia | X   | X           | X             |                 |   |
|           | 4            | 30472        | Guide-courroie - Vee belt guide - Riemenführung - Guida cinghia |   |             | X             |                 |   |
|           | 5            | 10124        | Entretoise - Spacer - Distanzstück - Distanziale                | X   | X           |               |                 |   |
|           | 6            | 31300        | Support - Support - Träger - Supporto                           |   |             |               | X               |   |
|           | 7            | 03.79.24.25  | Vis - Screw - Schraube - Vite                                   | X   | X           | X             |                 |   |
|           | 8            | 31296        | Capot - Cover - Tragsäulenhaube - Coperchio                     | X   | X           | X             | X               |   |
|           | 9            | 31295        | Capot - Cover - Tragsäulenhaube - Coperchio                     | X   | X           | X             | X               |   |
|           | 10           | 31143        | Vis - Screw - Schraube - Vite                                   | X   | X           | X             | X               |   |
|           | 11           | Z03.6.10     | Vis - Screw - Schraube - Vite                                   | X   | X           | X             | X               |   |
|           | 12           | Z53.5        | Ecrou - Nut - Mutter - Dado                                     | X   | X           | X             | X               |   |
|           | 13           | 04.5.12      | Boulon - Bolt - Schraube - Vite                                 |   |             |               | X               |   |
|           | 14           | Z12.6AZ      | Rondelle - Washer - Scheibe - Rondella                          | X   | X           | X             | X               |   |
|           | 15           | Z08.L6N      | Rondelle - Washer - Scheibe - Rondella                          | X   | X           | X             | X               |   |
|           | 16           | Z08.L5N      | Rondelle - Washer - Scheibe - Rondella                          | X   | X           | X             | X               |   |
|           | <b>B</b>     | 1            | 30918   | Guide-courroie - Vee belt guide - Riemenführung - Guida cinghia | X           | X             | X               |   |
| 2         |              | 30472        | Guide-courroie - Vee belt guide - Riemenführung - Guida cinghia |   | X           | X             |                 |   |
| 3         |              | 10124        | Entretoise - Spacer - Distanzstück - Distanziale                | X   | X           |               |                 |   |
| 4         |              | 03.79.24.25  | Vis - Screw - Schraube - Vite                                   | X   | X           | X             |                 |   |
| 5         |              | Z53.5        | Ecrou - Nut - Mutter - Dado                                     | X   | X           | X             |                 |   |
| 6         |              | 31143        | Vis - Screw - Schraube - Vite                                   | X   | X           | X             |                 |   |
| 7         |              | 31374        | Support - Support - Träger - Supporto                           | X   | X           | X             |                 |   |
| 8         |              | Z08.L5.N     | Rondelle - Washer - Scheibe - Rondella                          | X   | X           | X             |                 |   |
| 9         |              | Z53.5        | Ecrou - Nut - Mutter - Dado                                     | X   | X           | X             |                 |   |
| 10        |              | 31117        | Capot - Cover - Riemenhaube - Coperchio                         | X   | X           | X             |                 |   |
| 11        |              | Z03.6.10     | Vis - Screw - Schraube - Vite                                   | X   | X           | X             |                 |   |
| 12        |              | 31372        | Capot - Cover - Tragsäulenhaube - Coperchio                     | X   | X           | X             |                 |   |
| 14        |              | Z12.6AZ      | Rondelle - Washer - Scheibe - Rondella                          | X   | X           | X             |                 |   |
| 15        |              | Z08.L6N      | Rondelle - Washer - Scheibe - Rondella                          | X   | X           | X             |                 |   |
| 16        |              | Z03.5.10     | Vis - Screw - Schraube - Vite                                   | X   | X           | X             |                 |   |
| 17        |              | Z08.L5N      | Rondelle - Washer - Scheibe - Rondella                          | X   | X           | X             |                 |   |
| 18        |              | Z12.5AZ      | Rondelle - Washer - Scheibe - Rondella                          | X   | X           | X             |                 |   |
| <b>C</b>  |              | 1            | 31299   | Guide-courroie - Vee belt guide - Riemenführung - Guida cinghia |             |               |                 | X |
|           | 2            | 31331        | Support - Support - Träger - Supporto                           |   |             |               | X               |   |
|           | 6            | 31116        | Capot - Cover - Tragsäulenhaube - Coperchio                     |   | X           | X             | X               |   |
|           | 7            | 31143        | Vis - Screw - Schraube - Vite                                   |   | X           | X             | X               |   |
|           | 8            | Z53.5        | Ecrou - Nut - Mutter - Dado                                     | X   | X           | X             | X               |   |
|           | 9            | Z12.6.AZ     | Rondelle - Washer - Scheibe - Rondella                          | X   | X           | X             | X               |   |
|           | 10           | Z08.L6N      | Rondelle - Washer - Scheibe - Rondella                          | X   | X           | X             | X               |   |
|           | 11           | Z08.L8N      | Rondelle - Washer - Scheibe - Rondella                          | X   | X           | X             | X               |   |
|           | 12           | Z08.L5N      | Rondelle - Washer - Scheibe - Rondella                          | X   | X           | X             | X               |   |
|           | 51           | 31291        | Guide-courroie - Vee belt guide - Riemenführung - Guida cinghia | X   | X           | X             |                 |   |
|           | 52           | 10124        | Entretoise - Spacer - Distanzstück - Distanziale                | X   | X           |               |                 |   |
|           | 53           | Z03.79.24.25 | Vis - Screw - Schraube - Vite                                   | X   | X           | X             |                 |   |
|           | 54           | 30472        | Guide-courroie - Vee belt guide - Riemenführung - Guida cinghia |   |             | X             |                 |   |
|           | 55           | 31115        | Capot - Cover - Riemenhaube - Coperchio                         | X   | X           | X             | X               |   |
|           | 56           | Z53.8        | Ecrou - Nut - Mutter - Dado                                     | X   | X           | X             | X               |   |
|           | 57           | Z03.6.10     | Vis - Screw - Schraube - Vite                                   | X   | X           | X             | X               |   |
|           | <b>D</b>     | 1            | 31179   | Guide-courroie - Vee belt guide - Riemenführung - Guida cinghia | X           | X             |                 |   |
| 2         |              | 03.79.24.16  | Vis - Screw - Schraube - Vite                                   | X   | X           |               |                 |   |
| 3         |              | 03.79.24.25  | Vis - Screw - Schraube - Vite                                   |   |             | X             |                 |   |
| 4         |              | 31164        | Guide-courroie - Vee belt guide - Riemenführung - Guida cinghia |   |             | X             |                 |   |
| 5         |              | 30472        | Guide-courroie - Vee belt guide - Riemenführung - Guida cinghia |   |             | X             |                 |   |
| 6         |              | Z08.L8N      | Rondelle - Washer - Scheibe - Rondella                          |   |             | X             |                 |   |
| 10        |              | Z53.5        | Ecrou - Nut - Mutter - Dado                                     | X   | X           | X             |                 |   |
| 11        |              | 31143        | Vis - Screw - Schraube - Vite                                   | X   | X           | X             |                 |   |
| 12        |              | 31162        | Capot - Cover - Tragsäulenhaube - Coperchio                     | X   | X           | X             |                 |   |
| 13        |              | 31161        | Capot - Cover - Tragsäulenhaube - Coperchio                     | X   | X           | X             |                 |   |
| 14        |              | 31160        | Capot - Cover - Riemenhaube - Coperchio                         | X   | X           | X             |                 |   |
| 15        |              | Z53.8        | Ecrou - Nut - Mutter - Dado                                     | X   | X           | X             |                 |   |
| 16        |              | Z03.6.10     | Vis - Screw - Schraube - Vite                                   | X   | X           | X             |                 |   |
| 17        |              | Z08.L5N      | Rondelle - Washer - Scheibe - Rondella                          | X   | X           | X             |                 |   |
| 18        |              | Z12.6AZ      | Rondelle - Washer - Scheibe - Rondella                          | X   | X           | X             |                 |   |
| 19        |              | Z08.L6N      | Rondelle - Washer - Scheibe - Rondella                          | X   | X           | X             |                 |   |
| <b>E</b>  |              | 1            | 31390   | Capot - Cover - Riemenhaube - Coperchio                         | X           | X             | X               |   |
|           |              | 2            | 31391   | Capot - Cover - Tragsäulenhaube - Coperchio                     | X           | X             | X               |   |
|           |              | 3            | 31392   | Capot - Cover - Tragsäulenhaube - Coperchio                     | X           | X             | X               |   |
|           | 4            | 31162        | Capot - Cover - Tragsäulenhaube - Coperchio                     | X   | X           | X             |                 |   |
|           | 5            | 31143        | Vis - Screw - Schraube - Vite                                   | X   | X           | X             |                 |   |
|           | 6            | Z08.L6N      | Rondelle - Washer - Scheibe - Rondella                          | X   | X           | X             |                 |   |
|           | 7            | Z12.6AZ      | Rondelle - Washer - Scheibe - Rondella                          | X   | X           | X             |                 |   |
|           | 8            | Z03.6.10     | Vis - Screw - Schraube - Vite                                   | X   | X           | X             |                 |   |
|           | 9            | Z03.5.30     | Vis - Screw - Schraube - Vite                                   | X   | X           | X             |                 |   |
|           | 10           | Z12.5AZ      | Rondelle - Washer - Scheibe - Rondella                          | X   | X           | X             |                 |   |
|           | 11           | Z08.L5N      | Rondelle - Washer - Scheibe - Rondella                          | X   | X           | X             |                 |   |
|           | 12           | Z03.79.24.25 | Vis - Screw - Schraube - Vite                                   | X   | X           | X             |                 |   |
|           | 13           | Z53.5        | Ecrou - Nut - Mutter - Dado                                     | X   | X           | X             |                 |   |
|           | 14           | 30472        | Guide-courroie - Vee belt guide - Riemenführung - Guida cinghia | X   | X           | X             |                 |   |
|           | 15           | 10124        | Entretoise - Spacer - Distanzstück - Distanziale                | X   | X           | X             |                 |   |
|           | 16           | 30918        | Guide-courroie - Vee belt guide - Riemenführung - Guida cinghia | X   | X           | X             |                 |   |

\*  $\left\{ \begin{array}{l} \rightarrow 1 : 1 \text{ vitesse avant / 1 front gear} \\ \rightarrow 1+1 : 1 \text{ vitesse avant + 1 vitesse arrière / 1 front gear + 1 reverse} \\ \rightarrow 2+1 : 2 \text{ vitesses avant + 1 vitesse arrière / 2 front gear + 1 reverse} \end{array} \right.$



*calabro!*





| Rep<br>No | Nr<br>N° | Réf.. Ref.<br>Besuch nr. | Designation - Part name<br>Bezeichnung - Descrizione  | 3,5 cv | 5 cv |
|-----------|----------|--------------------------|---|--------|------|
| 1         |          | 30582                    | Extension D. tôle - Extension R. - Verbreiterung R. - Estensione D.                           | X      | X    |
|           |          | 30892                    | Extension D. ABS - Extension R. - Verbreiterung R. - Estensione D.                            | X      | X    |
| 2         |          | 30838                    | Capot - Stone-guard - Werkzeug haube L. - Protezione  | X      | X    |
| 3         |          | 30581                    | Extension G. tôle - Extension L. - Verbreiterung L. - Estensione S.                           | X      | X    |
|           |          | 30893                    | Extension G. ABS - Extension L. - Verbreiterung L. - Estensione S.                            | X      | X    |
| 4         |          | 30603                    | Fourche - Fork - Radgabel - Supporto  | X      | X    |
| 5         |          | Z03.10.45                | Vis - Screw - Schraube - Vite   | X      | X    |
| 6         |          | Z53.10                   | Ecrou - Nut - Mutter - Dado   | X      | X    |
| 7         |          | 30608                    | Cheville - Pin - Bolzen - Perno   | X      | X    |
| 8         |          | 16667                    | Goupille - Pin - Splint - Coppiglia   | X      | X    |
| 9         |          | Z04.10.80                | Boulon - Bolt - Bolzen - Vite   | X      | X    |
| 10        |          | 30601                    | Roue - Wheel - Rad - Ruota  | X      | X    |
| 11        |          | 30602                    | Coussinet - Spacer - Radlager - Distanziale   | X      | X    |
| 12        |          | Z53.12                   | Ecrou - Nut - Mutter - Dado   | X      | X    |
| 13        |          | Z03.12.100               | Vis - Nut - Schraube - Vite   | X      | X    |
| 14        |          | 30578                    | Eperon - Leg - Stütze - Puntone   | X      | X    |
| 15        |          | 30611                    | Support - Support - Stützenträger - Supporto  | X      | X    |
| 16        |          | 30614                    | Eperon - Leg - Stütze - Puntone   | X      | X    |
| 17        |          | 30615                    | Clé - Pin - Schlüssel - Vite  | X      | X    |
| 18        |          | 30610                    | Ensemble éperon - Adjustable leg - Satz Stütze - Ass. puntone - Espolion - Spoorstang - Apoio | X      | X    |
| 19        |          | 31672                    | Ensemble roues - Carrying wheels - Satz Transportrad - Ass. Ruote                             | X      | X    |
| 20        |          | 31675                    | Support - Support - Radträger - Supporto  | X      | X    |
| 21        |          | 31673                    | Etrier - Support - Bügel - Morsetto   | X      | X    |
| 22        |          | 31654                    | Eperon - Leg - Stütze - Puntone   | X      | X    |
| 24        |          | 42008                    | Clips - Clip - Clips  | X      | X    |
| 25        |          | 31660                    | Ensemble roues - Carrying wheels - Satz transportrad - Ass. Ruote                             | X      | X    |
| 26        |          | 31662                    | Fourche - Fork - Radgabel - Supporto  | X      | X    |
| 27        |          | 31661                    | Eperon - Leg - Stütze - Puntone   | X      | X    |
| 28        |          | 30630                    | Couronne 40 X 4 - Hoe wheel 40 X 4 - Kranz 40 X 4 - Fresa 40 X 4                              | X      | X    |
| 29        |          | 30636                    | Couronne D. 40 X 4 - R/H Hoe wheel 40 X 4 - Kranz R. 40 X 4 - Fresa DX 40 X 4                 | X      | X    |
| 30        |          | 30637                    | Couronne G. 40 X 4 - L/H Hoe wheel 40 X 4 - Kranz L. 40 X 4 - Fresa SX 40 X 4                 | X      | X    |
| 31        |          | Z04.8.40                 | Vis - Screw - Schraube - Vite   | X      | X    |
| 32        |          | Z53.8                    | Ecrou - Nut - Mutter - Dado   | X      | X    |
| 33        |          | 30649                    | Disque protège-plantes plastique - Disc - Schutzscheibe - Dischi                              | X      | X    |
|           |          | 30641                    | Disque protège-plantes métallique - Disc - Schutzscheibe - Dischi                             | X      | X    |
| 34        |          | 30820                    | Couronne 40 X 4 - Hoe wheel 40 X 4 - Kranz 40 X 4 - Fresa 40 X 4                              | X      | X    |
| 35        |          | 30832                    | Outils D. 40 X 4 - R/H Hoe tool 40 X 4 - Werkzeug R. 40 X 4 - Fresa DX 40 X 4                 | X      | X    |
| 36        |          | 30833                    | Outils G. 40 X 4 - L/H Hoe tool 40 X 4 - Werkzeug L. 40 X 4 - Fresa SX 40 X 4                 | X      | X    |
| 37        |          | 30653                    | Moyeu - Hub - Nabe - Mozzo  | X      | X    |
| 38        |          | 30827                    | Couronne G. 40 X 4 - L/H Hoe wheel 40 X 4 - Kranz L. 40 X 4 - Fresa SX 40 X 4                 | X      | X    |
| 39        |          | 30818                    | Moyeu G. - Hub L/H - Nabe - Mozzo   | X      | X    |
| 40        |          | 30826                    | Couronne D. 40 X 4 - R/H Hoe wheel 40 X 4 - Kranz R. 40 X 4 - Fresa DX 40 X 4                 | X      | X    |
| 41        |          | 30817                    | Moyeu D. - Hub R/H - Nabe R. - Mozzo DX   | X      | X    |
| 42        |          | 30855                    | Couronne G. 40 X 4 - L/H Hoe wheel 40 X 4 - Kranz L. 40 X 4 - Fresa SX 40 X 4                 | X      | X    |
| 43        |          | 30857                    | Couronne D. 40 X 4 - R/H Hoe wheel 40 X 4 - Kranz R. 40 X 4 - Fresa DX 40 X 4                 | X      | X    |
| 44        |          | 30858                    | Moyeu G. - Hub L/H - Nabe L. - Mozzo SX   | X      | X    |
| 45        |          | 30859                    | Moyeu D. - Hub R/H - Nabe R. - Mozzo DX   | X      | X    |
| 46        |          | 31493                    | Goupille - Pin - Splint - Coppiglia   | X      | X    |
| 47        |          | Z03.08.50                | Vis - Screw - Schraube - Vite   | X      | X    |
| 48        |          | 30809                    | Vis - Screw - Schraube - Vite   |        | 6    |
| 49        |          | Z53.6                    | Ecrou - Nut - Mutter - Dado   |        | 6    |
| 51        |          | 30952 V.L.               | Couronne 40 x 4 cambrée - Hoe wheel - Kranz - Fresa   | X      | X    |
| 52        |          | 30950 V.L.               | Outil D. 40 x 4 cambré - R/H Hoe tool - Werkzeug R. - Fresa Dx                                | X      | X    |
| 53        |          | 30951 V.L.               | Outil G. 40 x 4 cambré - L/H Hoe tool - Werkzeug L. - Fresa Sx                                | X      | X    |
| 54        |          | 30954 V.L.               | Couronne D. 40 x 4 cambrée - Hoe wheel - Kranz R. - Fresa Dx                                  | X      | X    |
| 55        |          | 30953 V.L.               | Couronne G. 40 x 4 cambrée - Hoe wheel - Kranz L. - Fresa Sx                                  | X      | X    |
| 56        |          | 30617                    | Eperon - Leg - Stütze - Puntone   | X      | X    |
| 57        |          | 30600                    | Ensemble roue avant - Carrying wheel - Satz Transportrad - Ass. ruote                         | X      | X    |
| 58        |          | Z08.L10N                 | Rondelle - Washer - Scheibe - Rondella  | X      | X    |
| 59        |          | 33902                    | Ressort - Spring - Feder - Molla  | X      | X    |
| 60        |          | 33419                    | Cavalier - Pin - Achse - Perno  | X      | X    |
| 61        |          | 33425                    | Ensemble roue avant - Carrying wheel - Satz Transportrad - Ass. ruote                         | X      | X    |