

MORRISON®

Outdoor Power Equipment

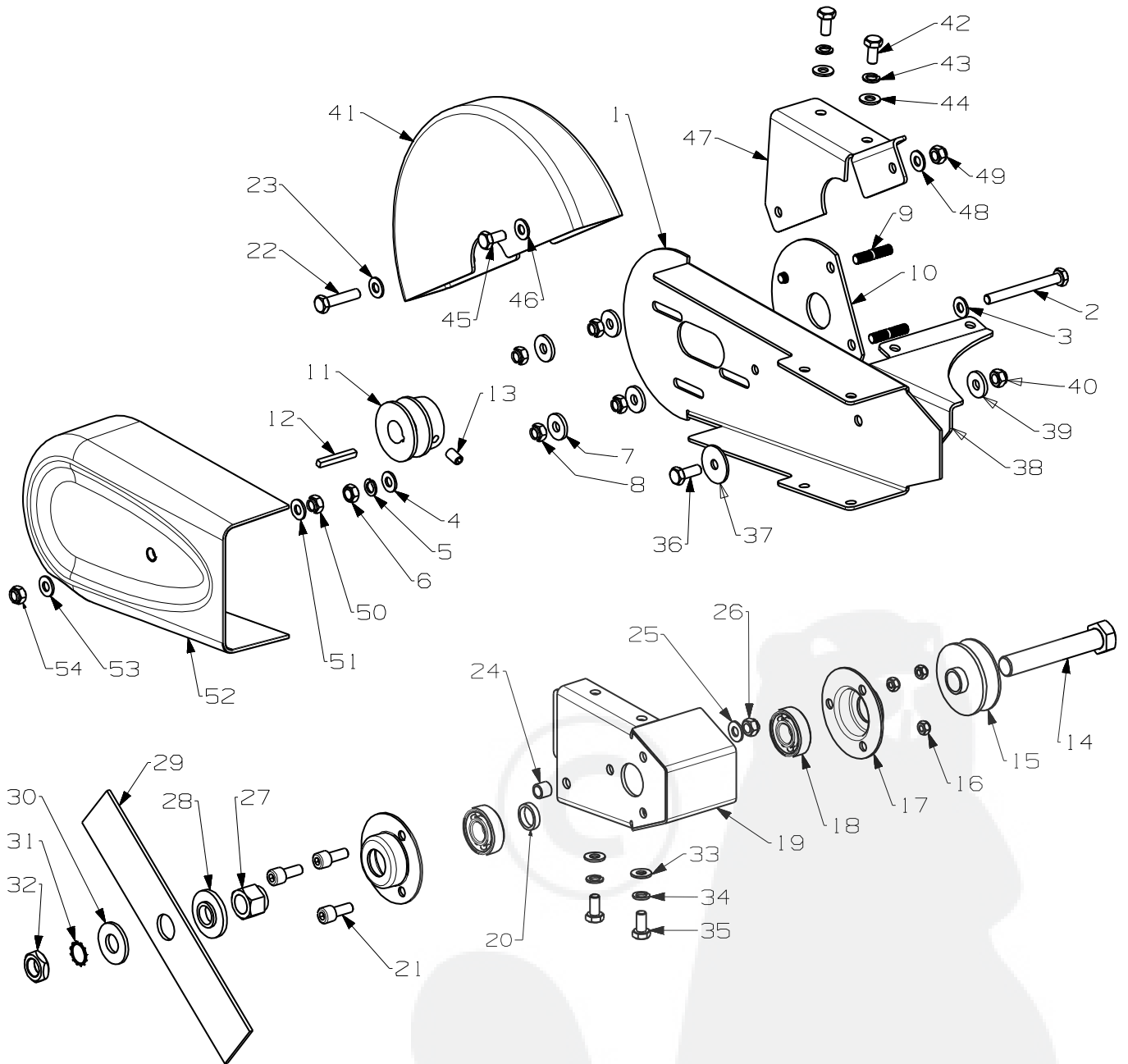
EDGER - OPC

Part Number

550914

Month and Year of First Manufacture - January 2013





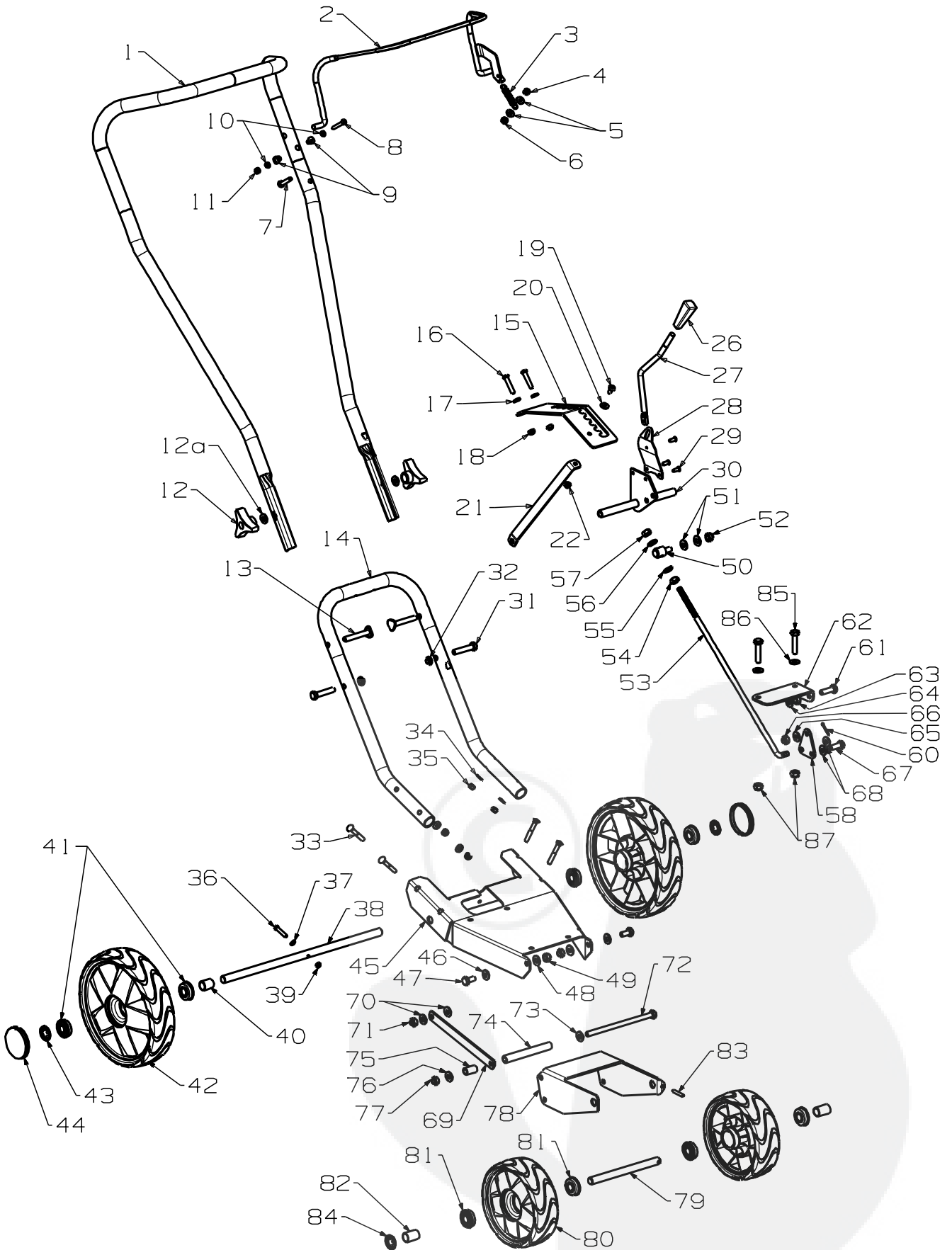


Edger - OPC

MORRISON®

Issue C.1
Jan 2013PB
Ref # 750914S

Item No	Part No	Description	Qty	Item No	Part No	Description	Qty
1	950477	Baseplate-CutterHd,Edger Red	1	50	501793	Nut,M8 Hex Nylocx 8Thck ZP	1
2	502119	Screw,Set M 8X 75 Hex ZP	1	51	501744	Washer,Flt 8 X 17 X1.6 ZP	1
3	501744	Washer,Flt 8 X 17 X1.6 ZP	1	52	550461	Cover-Belt, Plastic Edger	1
4	501744	Washer,Flt 8 X 17 X1.6 ZP	1	53	501744	Washer,Flt 8 X 17 X1.6 ZP	1
5	503747	Washer,Spg 8 ZP	1	54	501793	Nut,M8 Hex Nylocx 8Thck ZP	1
6	501602	Nut, M 8 Hex ZP	1				
7	503872	Washer,Flt 8 X 20 X3.0 ZP	4				
8	501793	Nut,M8 Hex Nyloc x 8mm Thick	4				
9	502133	Stud-M8 x NF 5/16 x 36 HT8.8	4				
10	550466	Plate-Stiffener, ZP	1				
11	550449	Pulley-Eng, 19B x 50D x 34H	1				
12	536012	Key-Engine 3/16" Sq X 38 Shldr	1				
13	503970	Screw;Grb Unc 5/16 X .50	1				
14	550441	Shaft-Cutter Edger ZP	1				
15	550448	Pulley-Blade, 17B x 60D x 25H	1				
16	501793	Nut, M 8 Hex Nyloc x 8mm Thick	3				
17	002834	Housing-Bearing ZP	2				
18	503273	Brg,Bal 17X40X12 6203 2S SKF	2				
19	950473	Housing Assy-Cuter Hd Mnt Red	1				
20	550428	Spacer-Bearing, Edger ZP	1				
21	502105	Cap Screw M 8 x 20 Allen Head	3				
22	501716	Set Screw M8 x 35	1				
23	501744	Washer,Flt 8 X 17 X1.6 ZP	1				
24	550485	Spacer-Mount,Guard	1				
25	501744	Washer,Flt 8 X 17 X1.6 ZP	1				
26	501793	Nut, M 8 Hex Nyloc x 8mm Thick	1				
27	550443	Nut-Cutter Shaft, Edger ZP	1				
28	550444	Washer-Blade, Edger ZP	1				
29	550442	Blade-Bar, 240mm Edger	1				
30	502120	Washer,Flt 16 X 35 X3.0 ZP	1				
31	502121	Washer,Ext Tooth Grip 16ld	1				
32	550460	Nut, M16 X 1.5 Hex ZP	1				
33	501744	Washer,Flt 8 X 17 X1.6 ZP	2				
34	503747	Washer,Spg 8 ZP	2				
35	502106	Screw,Set M 8X 16 Hex ZP	2				
36	501597	Screw,Set M 8X 20 Hex ZP	1				
37	572199	Washer,Flat8x32x2.0	1				
38	950488	Bracket-Mount,Cutting Red	1				
39	503872	Washer,Flat8x20x3.0	1				
40	501793	Nut, M 8 Hex Nyloc x 8mm Thick	1				
41	950479	Guard-Blade, Ali Edger Black	1				
42	501597	Screw,Set M 8X 20 Hex ZP	2				
43	503747	Washer,Spg 8 ZP	2				
44	501744	Washer,Flt 8 X 17 X1.6 ZP	2				
45	501597	Screw,Set M 8X 20 Hex ZP	1				
46	501744	Washer,Flt 8 X 17 X1.6 ZP	1				
47	950487	Bracket Assy-Guard Edger Ttnm	1				
48	501744	Washer,Flt 8 X 17 X1.6 ZP	1				
49	501793	Nut,M8 Hex Nylocx 8Thck ZP	1				
				Not Illustrated			
				550452	Belt-V Ax26 Edger		1
				536553	Decal, Caution Guard		1
				550472	Owner Manual - Petrol Edger		1
				550470	Decal, Noise		1
				550471	Decal, Caution & Rotation		1
				569730	MORRISON-Badge		1
				581413	Decal, Handle		1
				582049	Decal, Flap Caution		1
				<i>Note, Loctite items 9 into the Engine</i>			





Edger - OPC

MORRISON®

Issue C.1
Jan 2013PB
Ref # 750914S

Item No	Part No	Description	Qty	Item No	Part No	Description	Qty
1	950437	Handle-Upper, Edger Black	1	55	501744	Washer,Flt 8 X 17 X1.6 ZP	1
2	950434	Bail Arm Assy, OPC Edger Black	1	56	501744	Washer,Flt 8 X 17 X1.6 ZP	1
3	550453	Spring Retrtn-Bail Arm Edger ZP	1	57	501602	Nut, M 8 Hex ZP	1
4	501764	Nut, M 6 Hex Nyloc X 6Thk ZP	1	58	550424	Lever-Plate,Height Cont Lnk ZP	1
5	501703	Washer,Flt 6 X 14 X1.2 ZP	2	60	501056	Pin,Cotter 2.3Dx 16 ZP	1
6	501682	Nut, M 6 Hex ZP	1	61	501598	Screw,Set M 8X 25 Hex ZP	1
7	502150	Screw,Pan M 6X 35 ZP	1	62	950476	Bracket-Lever Plate Mount Red	1
8	503117	Screw,Pan M 5X 32 ZP	1	63	501602	Nut, M 8 Hex ZP	1
9	550440	Bush-Insulator Nylon	2	64	501744	Washer,Flt 8 X 17 X1.6 ZP	1
10	501330	Washer,Flt 5 X 10 X1.0 ZP	2	65	501744	Washer,Flt 8 X 17 X1.6 ZP	1
11	503511	Nut, M 5 Hex Nyloc ZP	1	66	501793	Nut,M8 Hex Nylocx 8Thck ZP	1
12	574230	Knob-Plastic,M8Insert	2	67	501597	Screw,Set M 8X 20 Hex ZP	1
12a	501744	Washer,Flt 8 X 17 X1.6 ZP	2	68	501744	Washer,Flt 8 X 17 X1.6 ZP	2
13	574218	Bolt ,Sph M 8X 53X35 Thrdd ZP	2	69	550423	Link-Fixed, Height Control ZP	1
14	950438	Handle-Lower, Edger Blk	1	70	501744	Washer,Flt 8 X 17 X1.6 ZP	2
15	550429	Quadrant-Hght Slect, Edger ZP	1	71	501793	Nut,M8 Hex Nylocx 8Thck ZP	1
16	502150	Screw,Pan M 6X 35 ZP	2	72	502114	Screw,Set M 8X140 Hex ZP	1
17	501703	Washer,Flt 6 X 14 X1.2 ZP	2	73	501744	Washer,Flt 8 X 17 X1.6 ZP	1
18	501764	Nut, M 6 Hex Nyloc X 6Thk ZP	2	74	550422	Spacer-Long, Wheel Bracket ZP	1
19	503331	Screw,Pan M 6X 16 ZP	1	75	550421	Spacer-Short, Wheel Bracket ZP	1
20	501703	Washer,Flt 6 X 14 X1.2 ZP	1	76	501744	Washer,Flt 8 X 17 X1.6 ZP	1
21	550430	Brace-Height Control, Edger ZP	1	77	501793	Nut,M8 Hex Nylocx 8Thck ZP	1
22	501764	Nut, M 6 Hex Nyloc X 6Thk ZP	1	78	950475	Bracket-Frnt Wheels,Edger Red	1
26	580056	Grip-Height Lever 7.9Dia Sq Blk	1	79	550417	Axle-Front Wheels, Edger ZP	1
30	750409	Pivot Assy-Brkt Ht Lvr ZP (Includes Items 26, 27, 28, 29)	1	80	579199	Wheel Assy-150Mm Spoked Blk (Includes 2 x 551212 Bearings)	2
31	501843	Screw,Set M 8X 40 Hex ZP	2	81	551212	Bearing-Wheel,Ball Type	4
32	503831	Nut, M 8 Hex Nyloc X 6Thk ZP	2	82	550420	Spacer-Front Wheels, Edger ZP	2
33	502113	Bolt ,Car M 6X 35 ZP	4	83	503369	Pin,Tension 5.0X 25 ZP	1
34	501703	Washer,Flt 6 X 14 X1.2 ZP	4	84	503236	Clip-Starlock,1/2"	1
35	501764	Nut, M 6 Hex Nyloc X 6Thk ZP	4	85	501716	Screw,Set M8x 35(Engine Mount)	4
36	501061	Screw,Set M 5X 25 Hex ZP	1	86	501744	Washer,Flt M-8 (Engine Mount)	4
37	501330	Washer,Flt 5 X 10 X1.0 ZP	1	87	501793	Nut,M8 Hex Nyloc (Engine Mnt)	4
38	550418	Axle-Rear Wheels, Edger ZP	1	Not Illustrated			
39	503511	Nut, M 5 Hex Nyloc ZP	1	550439	Wire-Engine, Cut Out	1	
40	550426	Spacer-Rear Axle, Edger ZP	1	550467	Wire-Engine, C/O,Earth Short	1	
41	551212	Bearing-Wheel,Ball Type	4	550468	Wire-Engine, C/O, Earth Long	1	
42	579201	Wheel Assy-200mmSpoked Blk (Includes 2 x 551212 Bearings)	2	Note Wire 550439 is routed inside both Handles Wire 550468 is routed inside both Handles 550467 Connects to 550468 & to the Engine Mounting Bolt			
43	503236	Clip-Starlock,1/2"	2				
44	579202	Hub Cap-Button Spoked Black	2	Changes - Updated 15.01.2013			
45	950474	Chassis Assy,Eng Mnt Edgr Red	1				
46	501744	Washer,Flt 8 X 17 X1.6 ZP	2				
47	501597	Screw,Set M 8X 20 Hex ZP	2				
48	501744	Washer,Flt 8 X 17 X1.6 ZP	2				
49	501793	Nut,M8 Hex Nylocx 8Thck ZP	2				
50	550427	Toggle-Link, Height Adjster ZP	1				
51	501744	Washer,Flt 8 X 17 X1.6 ZP	2				
52	501793	Nut,M8 Hex Nylocx 8Thck ZP	1				
53	550431	Link-Adjustable Hight Cntrl ZP	1				
54	501602	Nut, M 8 Hex ZP	1				