

MORRISON

EXPORT ROTARY MOWERS

SERIES 18 - OPC

	<u>Part number</u>	<u>Model</u>	<u>Engine</u>
MORRISON	469995	500AL NVA CO	B & S Series 650

Month and Year of First Manufacture - TBI

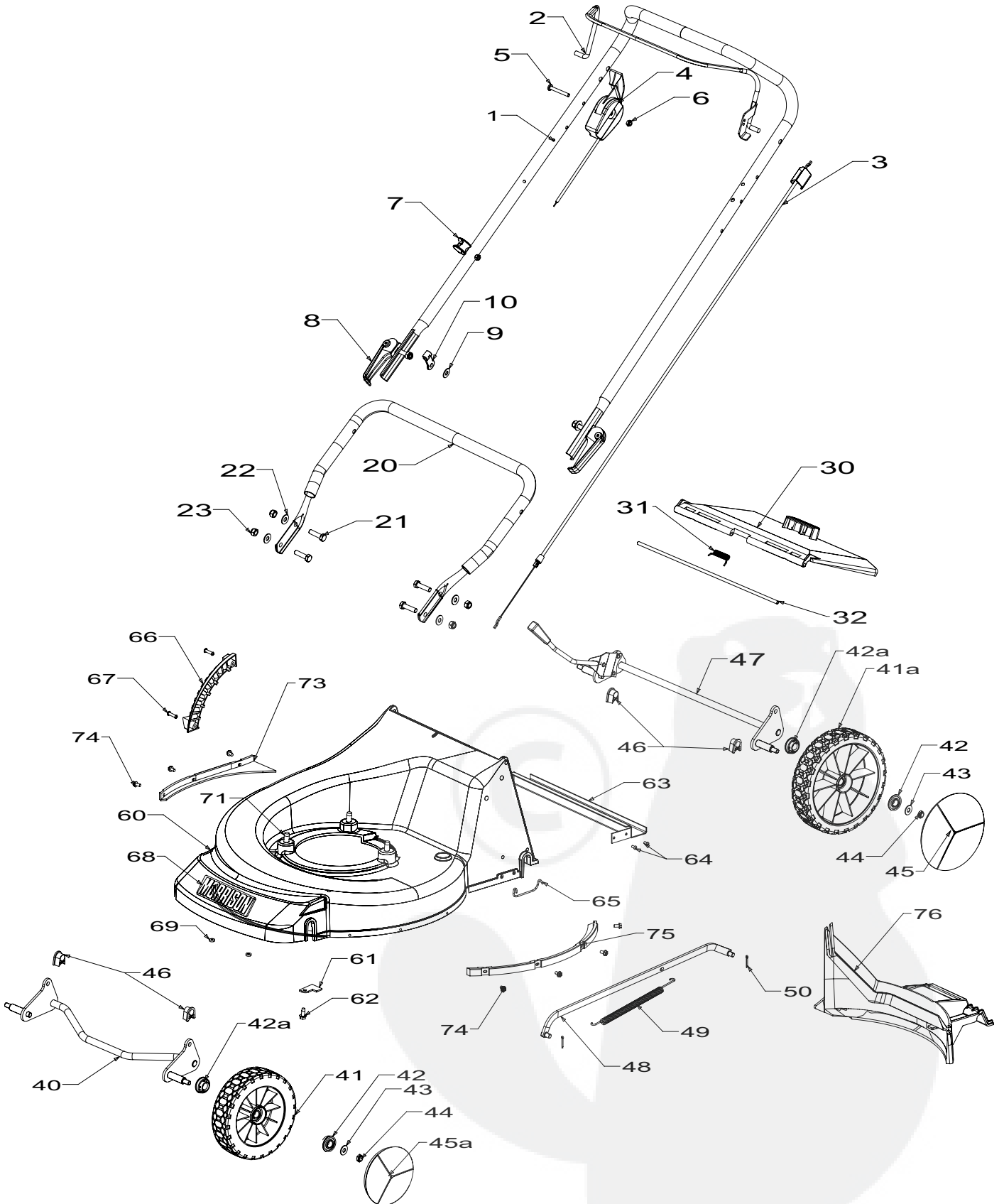


NOTE: Photo shows 769820 Model



Powered by:
500 AL : B & S Series 650

MORRISON



When ordering PLEASE QUOTE PART NUMBER & Description, NOT Illustration No.
Determine right or left hand side from standing in operating position (standing at handle)



Powered by:
500 AL : B & S Series 650

MORRISON

Item No	Part No	Description	Qty	Item No	Part No	Description	Qty
1	781265	Handle & Sleeve- Upper, OPC	1	66	580025	Quadrant, Height Selector	1
2	981740	Bail Arm Assy, OPC Flatnd	1	67	503660	Rivet- Pop 4.8x9.0	2
3	581656	Cable- Engine, OPC Push On	1	68	581330	Nameplate- Morrison	1
4	583458	Control- Throttle Assy, Wescon	1	69	503150	Clip- Starlock, 5Dia	2
5	503604	Screw, Pan M6x45 Poz ZP	1	71	580453	Screw,S/T 3/8x1-1/8 UNC TRIBLK	3
6	501764	Nut, M6 Nylocx 6 Thck	1	73	581525	*Deflector - Air, R/H	1
7	703856	Comfort Start Kit	1	74	503630	*Screw, S/T 10x.4 TYP B	7
8	980456	Cam Lock Assy	2	75	581524	*Deflector - Air L/H	1
9	501606	Washer, Flat 8x19x1.6	2	76	583105	Insert Mulching Ali	1
10	581527	Retainer- Clutch Cable	1				
		__==__				NOT ILLUSTRATED	
20	981257	Handle- Lower, "U"	1	573150		Owners Manual	1
21	501598	Screw, Set M8x25 Hex	4	580778		Stop- Rope	1
22	501606	Washer, Flat 8x19x1.6	4	503054		Tie- Nylon, Cable	2
23	501793	Nut, M8 Hex Nyloc 8 Thck	4				
		__==__					
30	782200	Flap Assy, Steel 18"	1				
31	581528	Spring, Flap	1				
32	781743	Wire- Flap, Pivot 6x352	1				
		__==__					
40	583593	Axle Assy, Front 175mm Thrd	1				
41	580790	Wheel Assy- 175mm BB MK6	2				
		incl item 42 & 42a					
41a	580791	Wheel Assy- 200mm BB MK6	2				
		incl item 42 & 42a					
42	551212	*Bearing- Wheel, Ball Type	4				
42a	579694	Bearing Wheel Plastic	4				
43	501606	Washer, Flat 8x19x1.6	4				
44	503831	Nut, M8 Hex Nyloc 6 Thck	4				
45	580794	Hub Cap, 200 mm DIA MK6	2				
45a	580793	Hub Cap, 150mm DIA MK6	2				
46	580030	Bush- Pivot, Axle	4				
47	969399	Axle Assy- Rear,18 " ALI	1				
48	573895	Rod Assy, Connecting 175mm Pin	1				
49	581463	Spring, Counter Balance	1				
50	501056	Pin, Cotter 2.3D x 16	2				
		__==__					
60	769727	Housing Assy- Ali 18" FS Red	1				
		incl items 61 - 64 & 73 - 75					
61	980564	*Plate- Retainer, Front Axle	2				
62	501599	*Screw, S/T 1/4x5/8 Hex	2				
63	583267	*Brace- Rear	1				
64	503226	*Rivet- Pop 4.0x7.9	4				
65	580225	Retainer, Axle Rear	2				

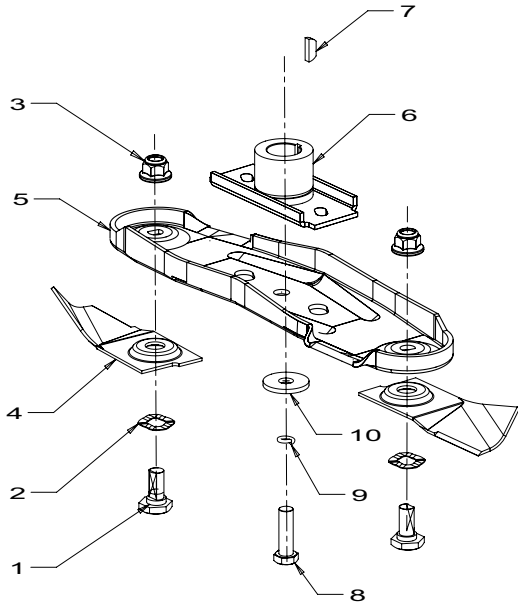
When ordering PLEASE QUOTE PART NUMBER & Description, NOT Illustration No.
Determine right or left hand side from standing in operating position (standing at handle)



Powered by:
500 AL : B & S Series 650

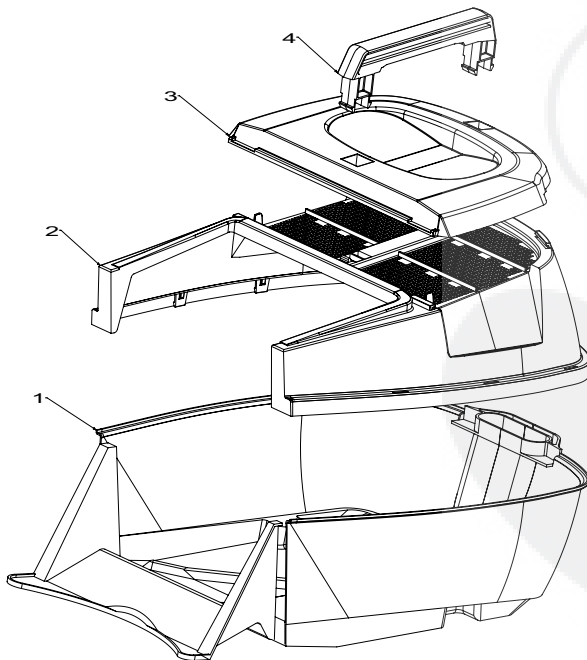
MORRISON

460mm Bar Blade Assembly



Item	Part No	Description	Qty
1	581707	Bolt Pivot M10 x 22 STL	2
2	580693	Washer Wavy	2
3	503672	Nut, M10 Hex Nyloc Flange	2
4	980658	Blade Quick Cut , 460 mm	2
5	980653	Carrier Blade, Q/Cut Black	1
6	031640	Driver Assy Blade 25mm	1
7	503363	Key W/Ruff 5/8x3/16x1/4	1
8	581610	Screw; SET NF 3/8x1.25	1
9	500204	Washer SPG 3/8	1
10	503667	Washer, FLT 9.75x30 x3.0	1

Catcher Assembly Plastic - 980670



Item	Part No	Description	Qty
1	579118	Catcher- Bottom, 18"	1
2	579117	Catcher- Top, 18"	1
3	580674	Catcher- Lid, 18"	1
4	580673	Catcher- Handle	1