

MORRISON

OPC ROTARY MOWERS

SERIES 20 - OPC

| | <u>Part number</u> | <u>Model</u> | <u>Engine</u> |
|----------|--------------------|--------------|------------------|
| MORRISON | 469997 | Novara 750 | B & S SERIES 675 |

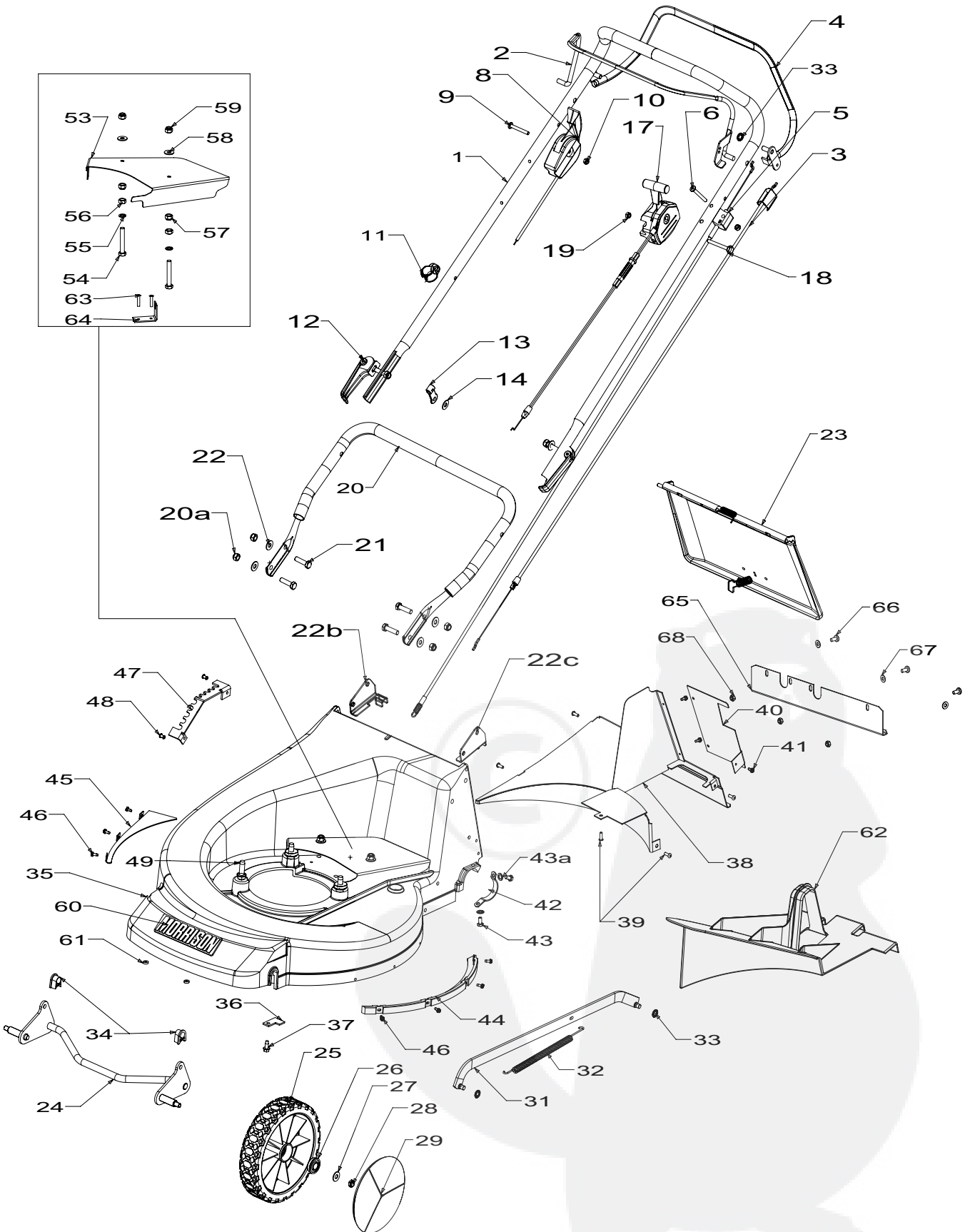
Month and Year of First Manufacture - Feb 2011
SERIAL NUMBER FROM - TBA





800 AL Combo
Powered by: B&S LSE 60

MORRISON



When ordering PLEASE QUOTE PART NUMBER & Description, NOT Illustration No.
Determine right or left hand side from standing in operating position (standing at handle)



800 AL Combo
Powered by: B&S LSE 60

MORRISON

| Item No | Part No | Description | Qty | Item No | Part No | Description | Qty |
|---------|---------|-----------------------------------|-----|---------|---------|-------------------------------------|-----|
| 1 | 781265 | Handle & Sleeve- Upper, Adj OPC | 1 | 35 | 769177 | Housing Assy-AliT20"COSP Ttn | 1 |
| 2 | 981740 | Bail Arm Assy, OPC Flatnd | 1 | | | incl items 36 - 41 | |
| 3 | 583395 | Cable- Engine, OPC Push On | 1 | 36 | 980564 | *Plate- Retainer, Front Axle 18" | 2 |
| 4 | 982161 | Bail Arm Assy, SP | 1 | 37 | 501599 | *Screw, S/T 1/4x5/8 Hex | 2 |
| 5 | 582235 | Cable- Clutch, Thumb Wheel | 1 | 38 | 571090 | *Tunnel Assy, 20" SP/PUSH | 1 |
| 6 | 503604 | Screw, Pan M6x45 Poz ZP | 1 | 39 | 503201 | *Rivet- Pop 4x7.9 | 5 |
| 7 | 501764 | Nut, M6 Nylocx 6 Thck | 1 | 40 | 573576 | *Tunnel- GBox Cover 20" Ali | 1 |
| 8 | 583458 | Control- Throttle, Housing Wescon | 1 | 41 | 503630 | *Screw, S/T M4x10 Washer | 3 |
| 9 | 503604 | Screw, Pan M6x45 Poz ZP | 1 | 42 | 580586 | Retainer, Axle Rear | 2 |
| 10 | 501764 | Nut, M6 Nylocx 6 Thck | 1 | 43 | 501599 | Screw, S/T 1/4x5/8 Hex | 4 |
| 11 | 703856 | Comfort Start Kit | 1 | 43a | 500201 | Washer SPG | 4 |
| 12 | 980456 | Cam Lock Assy | 2 | 44 | 581524 | Deflector- Air, LH Plastic | 1 |
| 13 | 581527 | Retainer- Clutch Cable | 1 | 45 | 982549 | Deflector- Air, RH Stl | 1 |
| 14 | 501606 | Washer, Flat 8x19x1.6 | 2 | 46 | 503630 | Screw, S/T 10x.4 Typ B | 7 |
| 17 | 773327 | Control Speed x 8 SPV Assy | 1 | 47 | 573325 | Quadrant, Height Selector Stl | 1 |
| 18 | 503508 | *Screw, Pan M6x55 | 1 | 48 | 503200 | Rivet- Pop 4.8x13 | 2 |
| 19 | 501764 | *Nut, M6 Hex Nyloc | 1 | 49 | 580453 | Screw, S/T 3/8x1-1/8"UNC Triblk | 3 |
| | | __==__ | | 53 | 573583 | Cover- Belt, 20" SP | 1 |
| 20 | 981265 | Handle- Lower, "U" Adj 18" | 1 | 54 | 580160 | Screw, Set M6x50 HT | 2 |
| 21 | 501598 | Screw, Set M8x25 Hex | 4 | 55 | 500201 | Washer, Spring 6 | 2 |
| 22 | 501606 | Washer, Flat 8x19x1.6 | 4 | 56 | 501682 | Nut, M6 Hex | 2 |
| 22a | 501793 | Nut, M8 Nylocx 8 Thck | 4 | 57 | 501764 | Nut, M6 Hex Nyloc 6 Thck | 2 |
| 22b | 573430 | Bracket- RH, 20" AL Aero | 1 | 58 | 501703 | Washer, Flat 6x14x1.2 | 1 |
| 22c | 573429 | Bracket- LH, 20" AL Aero | 1 | 59 | 501764 | Nut, M6 Hex Nyloc 6 Thck | 2 |
| | | __==__ | | 60 | 581330 | Nameplate | 1 |
| 23 | 782200 | Flap Assy, Plastic | 1 | 61 | 503150 | Clip- Starlock, 5 Dia | 2 |
| | | __==__ | | 62 | 573588 | Insert- Mulching, 20" | 1 |
| 24 | 983281 | Axle Assy, Front 200mm Thrd | 1 | 63 | 503360 | Rivet-Pop 4.8x9.0 | 2 |
| 25 | 580791 | Wheel Assy- 200mm BB MK6 | 2 | 64 | 573387 | Bracket cable SPV | 1 |
| | | incl item 26 | | 65 | 571085 | Hook Aero Catcher | 1 |
| 26 | 551212 | • Bearing- Wheel, Ball Type | 4 | 66 | 503591 | Screw, Pan M6x12 | 3 |
| 27 | 501606 | Washer, Flat 8x19x1.6 | 2 | 67 | 501703 | Washer Flt 6x14x1.2 | 3 |
| 28 | 503831 | Nut, M8 Hex Nyloc 6 Thck | 2 | 68 | 501764 | Nut, M6 Hex Nyloc | 3 |
| 29 | 580794 | Hub Cap, Button Mag Silver | 2 | | | NOT ILLUSTRATED | |
| 31 | 980143 | Rod Assy, Connecting SP | 1 | | | Owners Manual | 1 |
| 32 | 580621 | Spring, Counter Balance SP | 1 | | 569160 | Stop Rope | 1 |
| 33 | 501365 | Clip- Starlock, 5/16" | 4 | | 580778 | | |
| 34 | 580030 | Bush- Pivot, Axle | 2 | | | | |
| | | __==__ | | | | | |

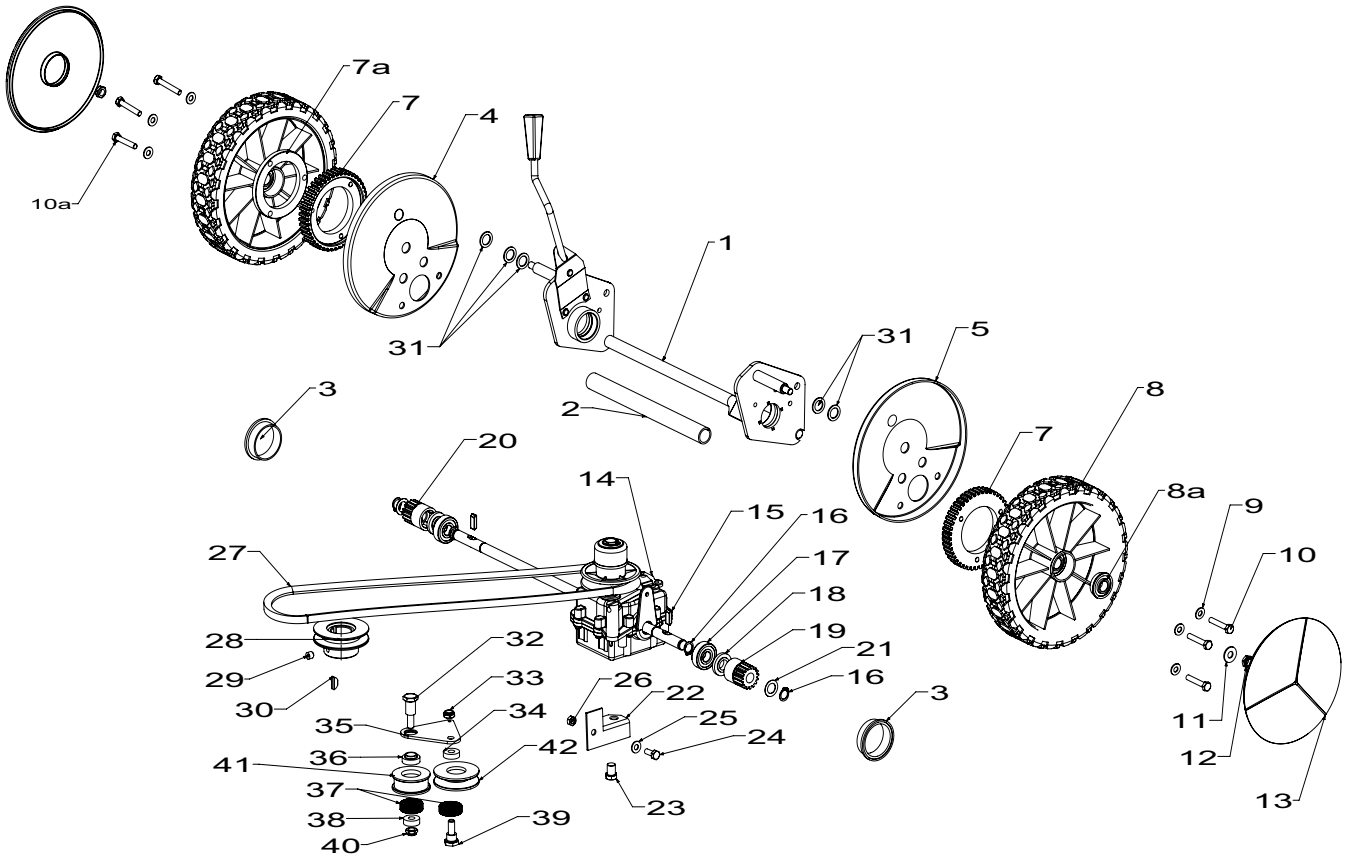
Bold Text = Assemblies
Bulleted Text = Items included in Assemblies

When ordering PLEASE QUOTE PART NUMBER & Description, NOT Illustration No.
Determine right or left hand side from standing in operating position (standing at handle)



800 AL Combo
Powered by: B&S LSE 60

MORRISON



| Item No | Part No | Description | Qty | Item No | Part No | Description | Qty |
|---------|---------|------------------------------|-----|---------|---------|---------------------------------|-----|
| 1 | 773772 | Axle Assy, Rear Compl 20" SP | 1 | 23 | 501863 | Screw, Set M8x12 | 1 |
| 2 | 580614 | Sleeve, Rear Axle SP | 1 | 24 | 501702 | Screw, Set M6x16 | 1 |
| 3 | 580091 | Bush- Pivot, Rear Axle | 2 | 25 | 501703 | Washer, Flat 6x14x1.2 | 1 |
| 4 | 579426 | Dust, Cover RH | 1 | 26 | 501764 | Nut, M6 Nyloc 6 Thck | 1 |
| 5 | 579427 | Dust, Cover LH | 1 | 27 | 571009 | Belt- V HC Vextra XPZ 925 Gates | 1 |
| 7 | 569180 | Gear, Driving- 45 Teeth | 2 | 28 | 573735 | Pulley- Engine, 25Bx79Dx34.H | 1 |
| 7a | 569479 | Spacer Gear Driving | 1 | 29 | 503386 | Screw, Grub M8x8 | 1 |
| 8 | 580792 | Wheel Assy- 220mm BB MK6 SP | 2 | 30 | 503363 | Key- W/Ruff 5/8x3/16x1/4 | 1 |
| 8a | 551212 | Bearing Wheel Ball Type | 4 | 31 | 503301 | Washer, Flt 1/2x3/4x18G | 5 |
| 9 | 501703 | Washer, Flat 6x14x1.2 | 6 | 32 | 569340 | Stud Idler Pulley, M8x40 | 1 |
| 10 | 501815 | Screw, Set M6x35 | 3 | 33 | 503831 | Nut, M8 Hex Nyloc | 2 |
| 10a | 503794 | Screw, Set M6x40 | 3 | 34 | 569135 | Spacer Plate SPV 20x8.2x6 | 1 |
| 11 | 501606 | Washer, Flat 8x19x1.6 | 2 | 35 | 569353 | Plate Carrier 20" SPV | 1 |
| 12 | 503831 | Nut, M8 Nyloc 6 Thck | 2 | 36 | 569351 | Spacer Bottom SPV 20x12.1x9 | 1 |
| 13 | 580794 | Hub Cap, 220mm DIA MK6 | 2 | 37 | 503901 | Brg Bal 12x28x8 | 2 |
| 14 | 573360 | Gear Box, Variable Speed | 1 | 38 | 569352 | Spacer Bottom SPV 20x8.2x6.2 | 1 |
| 15 | 581092 | Pawl, Pinion 950 SP | 2 | 39 | 569322 | Stud Idler Pulley M8x29.5 | 1 |
| 16 | 503759 | Circlip, 12 EXT DIN 471 | 4 | 40 | 503831 | Nut M8 Hex Nyloc | 1 |
| 17 | 501213 | Bearing, 12x32x10 6201 2RS | 2 | 41 | 573382 | Pulley Flat Idler, SPV | 1 |
| 18 | 581093 | Cap, Pinion 950 SP Plastic | 2 | 42 | 573383 | Pulley-V Idler | 1 |
| 19 | 569178 | Pinion, LH 12 Teeth | 1 | | | | |
| 20 | 569179 | Pinion, RH 12 Teeth | 1 | | | | |
| 21 | 503102 | Washer, Flat 12x20x0.4 | 2 | | | | |
| 22 | 573770 | Mount, Gearbox | 1 | | | | |

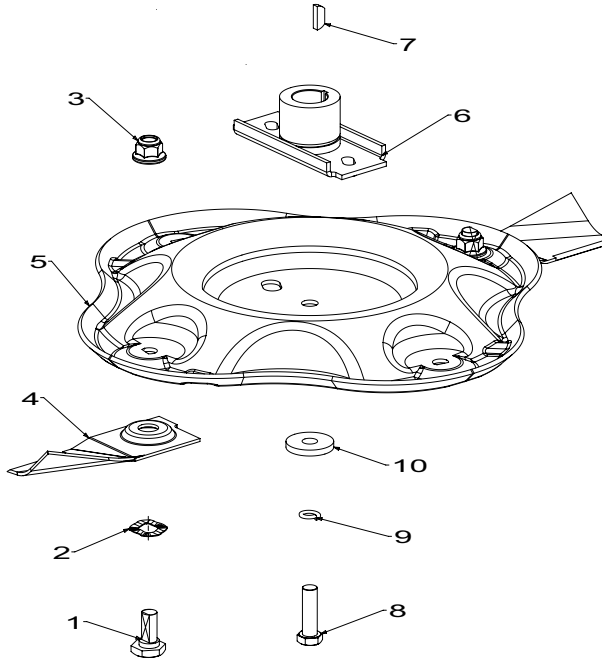
When ordering PLEASE QUOTE PART NUMBER & Description, NOT Illustration No.
Determine right or left hand side from standing in operating position (standing at handle)



800 AL Combo
Powered by: B&S LSE 60

MORRISON

515mm Blade Assembly

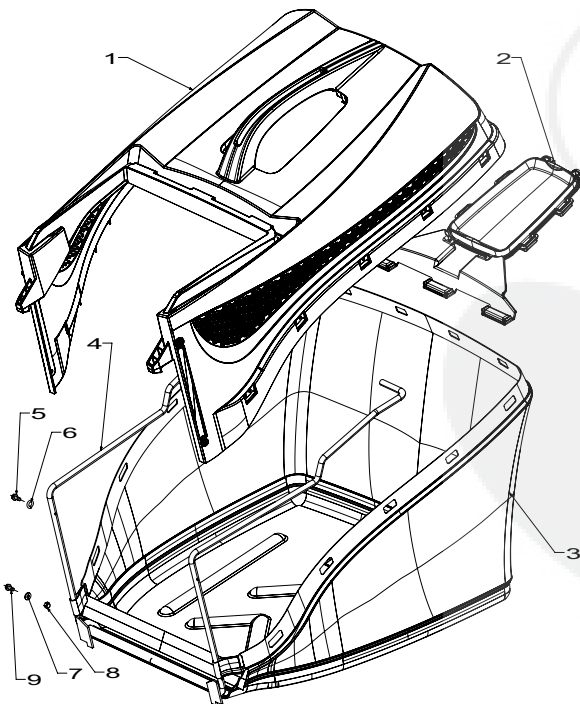


| Item | Part No | Description | Qty |
|------|---------|-------------------------------------|-----|
| 1 | 581707 | Bolt-Blade | 2 |
| 2 | 580693 | Washer, Wavy 13.4 x 24.2 | 2 |
| 3 | 503672 | Nut, Flange Nyloc M10 | 2 |
| 4 | 582379 | Blade, Quick Cut - 515mm | 2 |
| 5 | 580653 | Carrier, Blade Quick Cut | 1 |
| 6 | 031640 | Driver Assy-Blade - 25mm ZP | 1 |
| 7 | 503363 | Key, Woodruff - 5/8" x 5/32" x 1/4" | 1 |
| 8 | 581610 | Bolt, Hex NF 3/8x1.5 NYG8 | 1 |
| 9 | 500204 | Washer, Spring 3/8" | 1 |
| 10 | 503667 | Washer, Flat 9.75 x 30 x 4 | 1 |

Also Available in Blade Pack;
782379 Blade Quick Cut , 515 (2per) 1



Catcher Assembly Aero - 773766



| Item | Part No | Description | Qty |
|------|---------|--------------------------|-----|
| 1 | 573369 | Catcher, Top 18/20" | 1 |
| 2 | 573370 | Catcher, Top Insert | 1 |
| 3 | 573761 | Catcher, Bottom 18/20" | 1 |
| 4 | 573372 | Catcher, Frame 18/20" | 1 |
| 5 | 503834 | Screw, S/T M4x10 | 2 |
| 6 | 501024 | Washer- Spg 4 | 2 |
| 7 | 503593 | Washer, Flat 4 x 8 x 1.0 | 2 |
| 8 | 503875 | Nut, M4 Hex Nyloc | 2 |
| 9 | 501023 | Screw, Set M4x20 | 2 |