

Parts catalogue

RABBIT MOWER

(EXPORT MODEL)

RM86B

MODEL	CODE NO.
RM86	0215-ΔΔΔΔΔ

CONTENTS

Fig.1	FRAME & CONTROL-----	1
Fig.2	TRANSMISSION-----	11
Fig.3	FRONT AXLE & TIRE-----	17
Fig.4	ELECTRIC EQUIPMENT-----	23
Fig.5	CUTTING PARTS & COVER-----	25

OREC CO.,LTD.

Update : February 2006

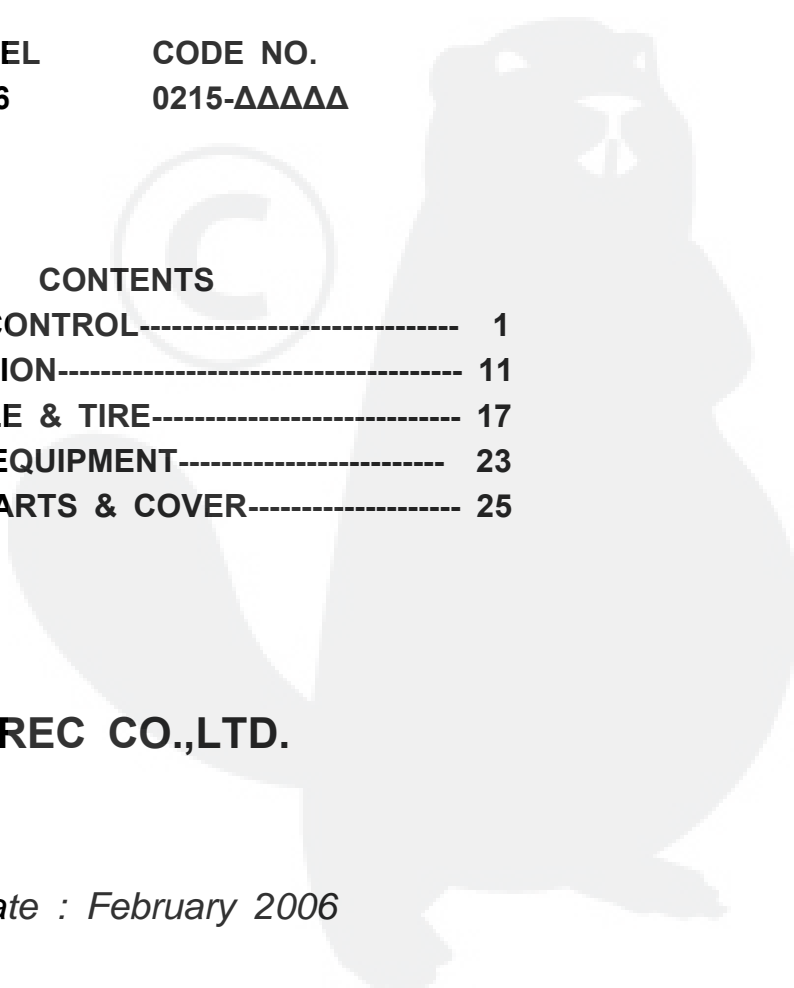


Fig. 1 FRAME & CONTROL

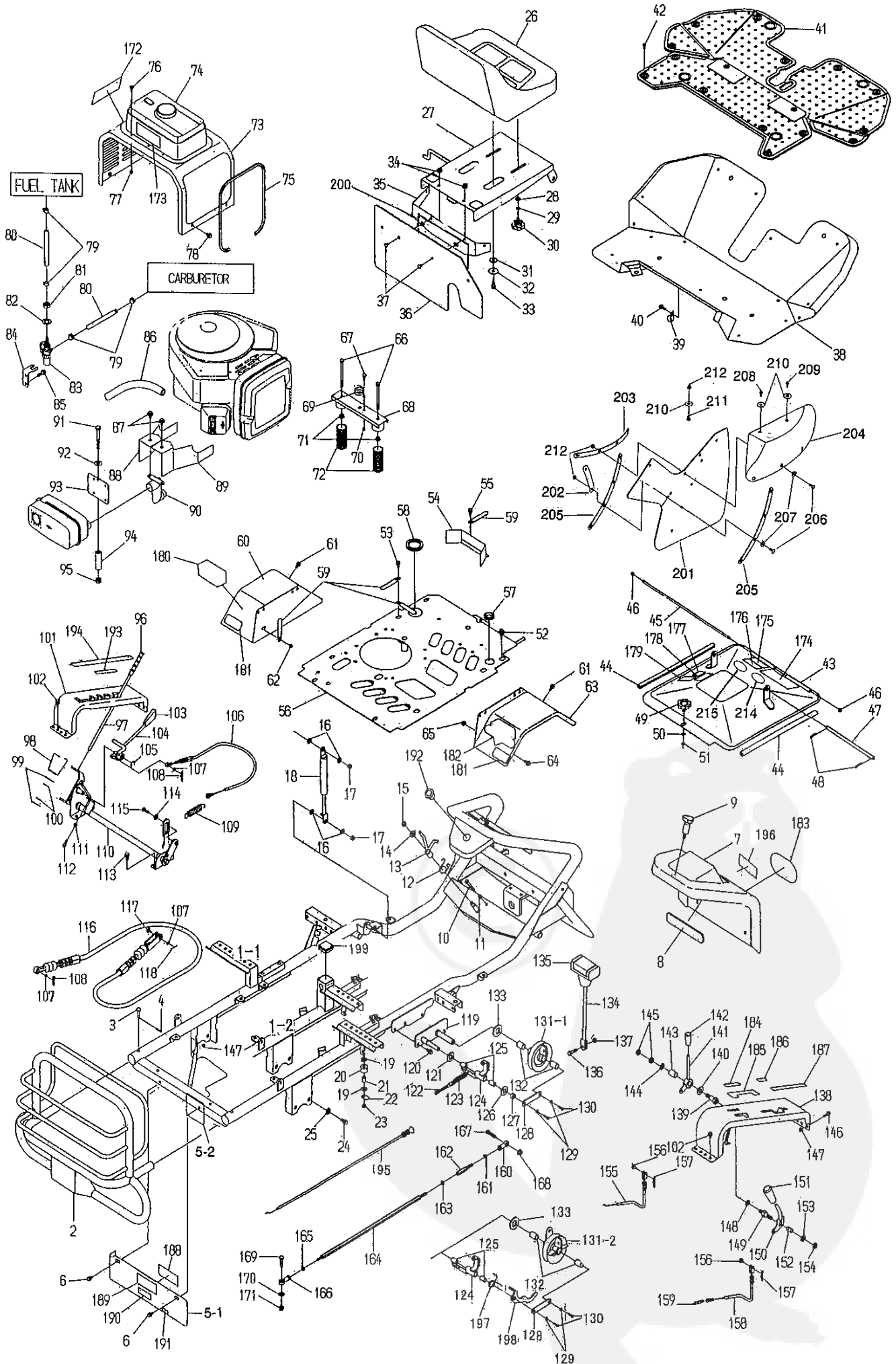


Fig.1 FRAME & CONTROL

Ref.	Parts No.	Parts Name	Quantity		Remarks
			RM86B	RM86TB	
			B&S 14HP	B&S 14HP	
1-1	0215-20100	Frame CMP	1	1	*4)
1-2	0215-20110	Frame CMP	1	1	*5)
2	0215-80100	Sub Frame CMP	1	1	
3	89-2191-080502	Flat Head Pin 8*50	2	2	
4	89-2131-080002	Snap Pin 8	2	2	
5-1	0207-61900	Rear Belt Cover	1	1	*11)
5-2	0215-84100	Rear Belt Cover	1	1	*12)
6	89-1236-080162	Mini Hexagonal Bolt(PWSW) M8*16	2	2	
7	80-1484-213-00	Front Cover	1		
	0207-63100	Front Cover		1	
8	80-1482-214-00	Battery Pad	1	1	
9	0207-76500	Long Knob Bolt M8*20	1	1	
10	89-1211-080552	Mini Hexagonal Bolt M8*55	1	1	
11	89-1611-080042	Mini Hexagonal Nut M8	1	1	
12	80-1484-356-00	Brake Stopper Return Spring	1	1	
13	80-1484-355-00	Brake Stopper	1	1	
14	89-1713-100002	Flat Washer 10	1	1	
15	89-1561-100002	Mini Hexagonal U Nut M10	1	1	
16	89-1713-100002	Flat Washer 10	4	4	
17	89-1561-100002	Mini Hexagonal U Nut M10	2	2	
18	0207-72700	Gas Spring KMF 50-40	1	1	
19	83-1020-355-00	Thrust Washer 12*24*1.0	2	2	
20	80-1484-354-10	Brake Rod Roller	1	1	
21	89-3510-012200	DU Bush 12.20	1	1	
22	80-1484-364-00	Brake Rod Hung Plate	1	1	
23	89-1543-080002	Mini Hexagonal Nut(SW) M8	1	1	
24	89-1232-100202	Mini Hexagonal Bolt(SW) M10*20	4	4	
25	89-1713-100002	Flat Washer 10	4	4	
26	80-1481-944-00	Seat GTP-4(black)	1	1	
27	0215-81700	Seat Receiver CMP	1	1	
28	89-1713-080002	Flat Washer 8	2	2	
29	89-1750-080002	Spring Washer 8	2	2	
30	83-1560-101-00	Knob Bolt M8*15	2	2	
31	0207-76400	Washer 9X25X3.2	2	2	
32	83-1020-314-00	Washer 8X40X2.3	2	2	
33	89-1232-080202	Mini Hexagonal Bolt (SW) M8*20	2	2	
34	89-1631-080042	Flange Mini Hexagonal Nut M8	2	2	
35	0207-21500	Wind Shield Setting Plate	1	1	
36	0207-21600	Wind Shield	1	1	
37	83-1484-369-00	Clip (5347)	4	4	
38	0215-20700	Step CMP	1	1	*11)
	0215-20710	Step CMP	1	1	*12)
39	80-1792-988-00	Harness Clip	4	4	
40	89-1236-080162	Mini Hexagonal Bolt(PWSW) M8*16	1	1	
41	0215-20800	Step Rubber	1	1	
42	83-1484-369-00	Clip(5347)	16	16	
43	0207-20400	Seat Bracket	1	1	
44	0207-76100	Trim 15*350	2	2	
45	0207-21200	Seat Bracket Shaft	1	1	
46	89-1553-060002	Bag Hexagonal U Nut M6	2	2	
47	80-1481-487-00	Seat Receive Pin	1	1	
48	89-2131-120002	Snap Pin 12	2	2	
49	0207-76700	Knob Bolt(KG-B2) M8*20	1	1	
50	89-1713-080002	Flat Washer 8	1	1	

Fig. 1 FRAME & CONTROL

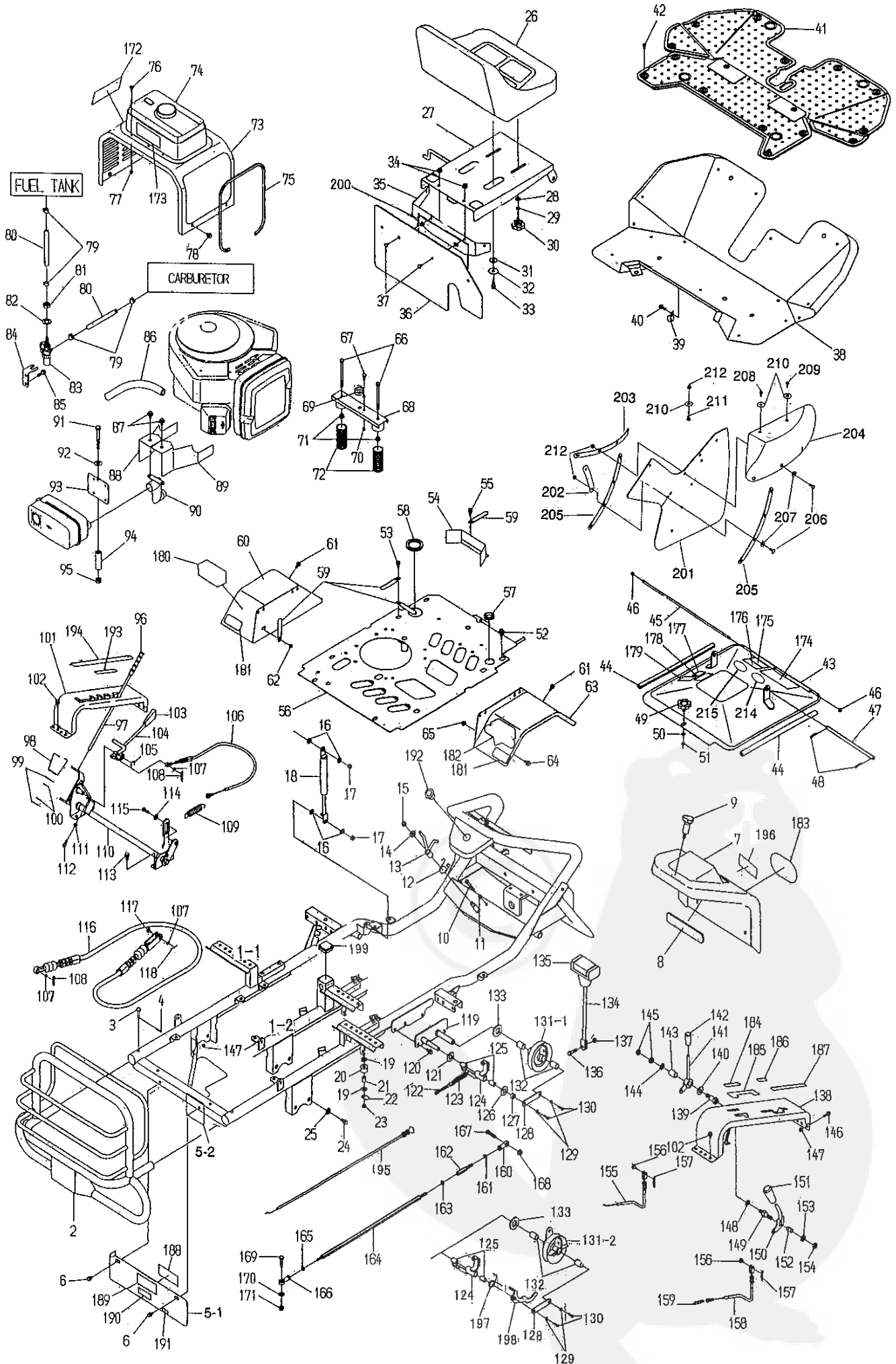


Fig.1 FRAME & CONTROL

Ref.	Parts No.	Parts Name	Quantity		Remarks
			RM86B	RM86TB	
			B&S 14HP	B&S 14HP	
51	0207-76900	Bonded Washer 8	1	1	
52	83-1490-114-00	Mini Hexagonal Bolt(PWSW) M8*20	3	3	
53	89-1236-080202	Mini Hexagonal Bolt(PWSW) M8*20	4	4	
54	0215-20500	Protection Guard (B)	1	1	
55	89-1236-080162	Mini Hexagonal Bolt (PWSW) M8*16	2	2	
56	0215-20300	Engine Base	1	1	
57	0207-70900	Grommet 30-3.2(KG-G79QB)	1	1	
58	0207-70800	Grommet 45-3.5	1	1	
59	80-1792-988-00	Harness Clip	4	4	
60	80-1484-461-00	Fender(L)	1	1	*13)
	0238-60100	Fender(L)	1	1	*1) *14)
61	89-1236-080162	Mini Hexagonal Bolt(PWSW) M8*16	4	4	
62	89-1671-080042	Mini Bag Nut M8	1	1	
63	80-1485-462-00	Fender(R)	1	1	*13)
	0238-60200	Fender(R)	1	1	*1) *14)
64	89-1236-080202	Mini Hexagonal Bolt(PWSW) M8*20	2	2	
65	89-1631-080042	Flange Mini Hexagonal Nut M8	1	1	
66	0215-82500	Seat Receiving Bolt M10	2	2	
67	89-1390-060162	Welded Bolt M6*16	1	1	
68	0215-81800	Seat Receiver CMP	1	1	
69	0207-72900	Seat Switch Spring	1	1	
70	89-1511-060042	Hexagonal Nut M6	1	1	
71	89-1631-100042	Flange Mini Hexagonal Nut M8	2	2	
72	0215-81600	Seat Spring 167	2	2	
73	0215-60100	Tank Bracket CMP	1	1	*13)
	0215-60110	Tank Bracket CMP	1	1	*14)
74		Fuel Tank Assy			
	51001-2258-9H	Fuel Tank CMP (KAWASAKI)	1	1	
	49019-2107	Filter (KAWASAKI)	1	1	
	52005-2100	Gauge (KAWASAKI)	1	1	
	221C0512	Screw5*12 (KAWASAKI)	2	2	
	51048-2052	Cap Assy (KAWASAKI)	1	1	
75	0215-70900	Trim 9*770	1	1	
	0207-74610	Trim 9*770	1	1	*1)
76	89-1159-060168	Truss Mini Screw M6*16	6	6	
77	89-1631-060042	Flange Mini Hexagonal Nut M6	6	6	
78	89-1236-080162	Mini Hexagonal Bolt (PWSW) M8*16	4	4	
79	80-1487-487-00	Hose Clip	4	4	
80	80-1487-488-00	Fuel Hose	2	2	
81	89-1514-120042	Hexagonal Nut (3 Sorts,Slender) M12	1	1	
82	89-1714-120002	Flat Washer 12	1	1	
83	80-1487-486-00	Fuel Cock	1	1	
	0207-79600	Fuel Cock	1	1	*1)
84	80-1483-479-10	Fuel Cock BK	1	1	*4)
	0215-40900	Fuel Cock BK	1	1	*5) *13)
	0238-60300	Fuel Cock BK	1	1	*14)
85	89-1236-080162	Mini Hexagonal Bolt (PWSW) M8*16	2	2	*6)
	89-1159-080168	Truss Mini Screw M6*16	2	2	*7)
86	0215-70300	Drain Hose	1	1	
87	89-1236-080162	Mini Hexagonal Bolt (PWSW) M8*16	2	2	
88	0215-40500	Exhaust Cover (L)	1	1	
89	0215-40600	Exhaust Cover (R)	1	1	
90	0215-40400	Exhause Adapter	1	1	

Fig. 1 FRAME & CONTROL

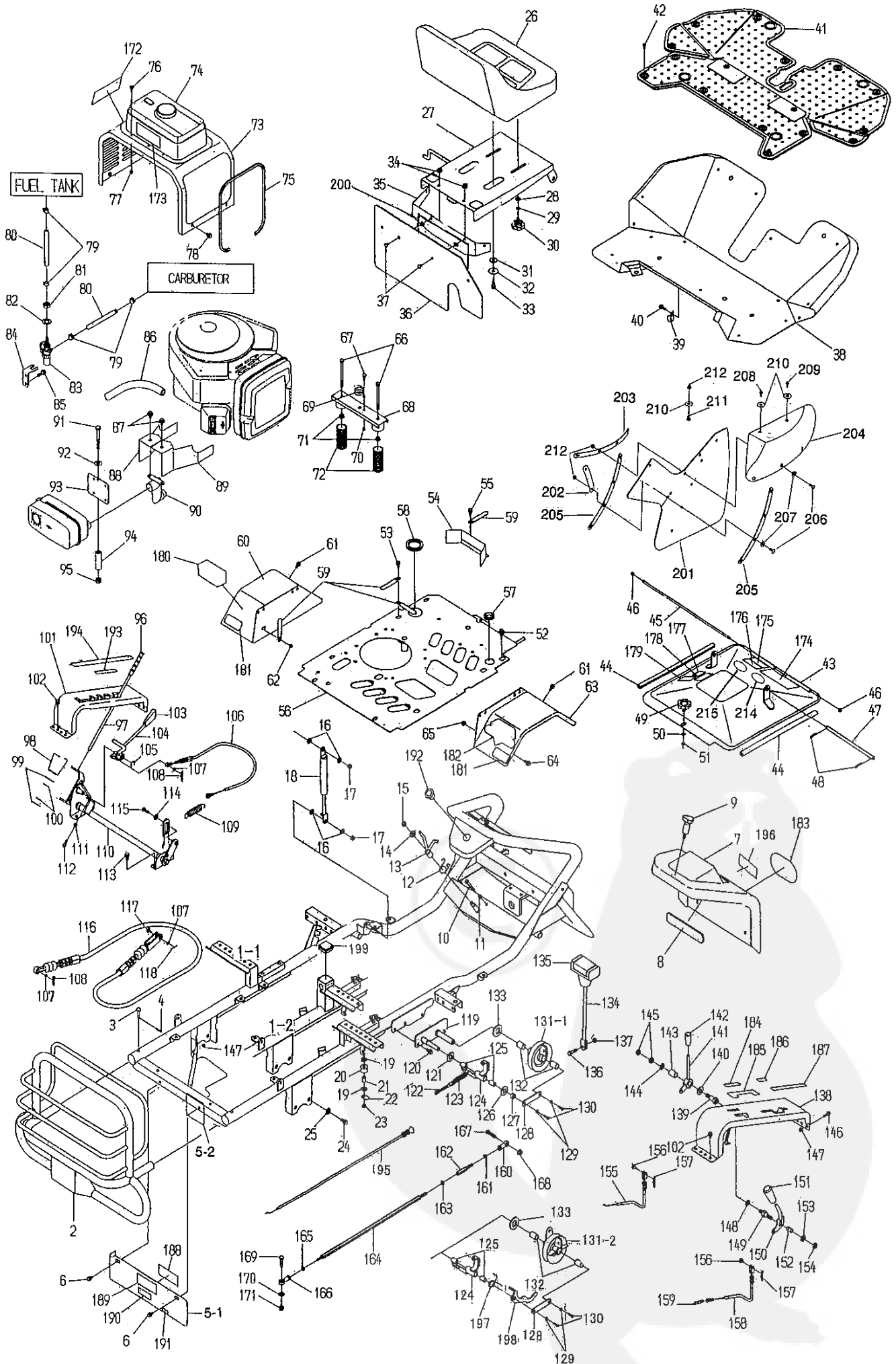


Fig.1 FRAME & CONTROL

Ref.	Parts No.	Parts Name	Quantity		Remarks
			RM86B	RM86TB	
			B&S 14HP	B&S 14HP	
91	89-1211-100952	Mini Hexagonal Bolt M10*95	1	1	
92	89-1711-100002	Flat Washer 10	1	1	
93	80-1488-792-00	Plate for Fixing Muffler	1	1	
94	80-1485-393-00	Pipe for Fixing Muffler	1	1	
95	89-1543-100002	Mini Hexagonal Nut (SW) M10	1	1	
96	80-1515-339-00	Handle Grip 15	1	1	
97	80-1483-272-00	Cutting Height Adjustment Lever	1	1	
98	80-1487-274-00	Cutting Height Lever Spring	1	1	
99	89-2120-300252	Split Pin 3*25	2	2	
100	0207-76800	Washer 16*32*2.3	2	2	
101	0207-10510	Cutting Height Guide	1	1	
102	89-1236-080162	Mini Hexagonal Bolt (PWSW) M8*16	4	4	
103	80-1484-262-00	Arm Grip (Red)	1	1	
104	0207-13800	Knife Clutch Lever	1	1	
105	89-2521-000120	E Type Ring 12	1	1	
106	0207-70310	Cutting Clutch Wire	1	1	
107	89-1711-060002	Flat Washer 6	3	3	
108	89-2132-060002	Snap Pin 6	2	2	
109	0207-78400	Spring For Knife Tension	1	1	
110	0207-10400	Up/Down Adjusting Shaft CMP	1	1	
111	89-1611-080042	Mini Hexagonal Nut M8	1	1	
112	89-1211-080257	Mini Hexagonal Bolt M8*25	1	1	
113	89-1232-100202	Mini Hexagonal Bolt (SW) M10*20	4	4	
114	83-1020-312-00	Washer 8*30*3.2	2	2	
115	89-1232-080252	Mini Hexagonal Bolt (SW) M8*25	2	2	
116	0207-77510	Knife Brake Wire	1	1	
117	89-2181-060162	Flat Head Pin 6*16	1	1	
118	89-2120-200152	Split Pin 2*15	1	1	
119	0207-11710	Change Bracket CMP	1	1	
120	89-1236-080202	Mini Hexagonal Bolt (PWSW) M8*20	3	3	
121	83-1565-329-00	Washer 13*22*2.3	2	2	*2)
122	0207-72300	Change Brake Adjuster	1	1	
123	0207-72200	Change Brake Spring	1	1	
124	0207-11400	Change Brake	1	1	
125	89-3510-012200	DU Bush 12.20	2	2	
126	83-1754-329-00	Washer 13*22*1.0	1	1	*2)
127	0207-12600	Change Brake Collar	1	1	*2)
128	0207-11610	Change Beam	1	1	
129	89-1750-060002	Spring Washer 6	2	2	
130	89-1111-060142	Hexagonal Bolt M6*14	2	2	
131-1	0207-11300	Change Boss CMP	1	1	*2)
131-2	0207-11310	Change Boss CMP	1	1	*1) *3)
132	89-3510-016250	DU Bush 16.25	2	2	
133	0207-76800	Washer 16*32*2.3	1	1	
134	0207-12900	Change Lever CMP	1	1	
135	83-1417-435-00	Lever Grip (red)	1	1	
	0221-13200	Change Grip	1	1	*1)
136	89-1213-080302	Mini Hexagonal Bolt (8T) M8*30	1	1	
137	89-1561-080002	Mini Hexagonal U Nut M8	1	1	
138	0215-10400	Change Guide CMP	1	1	
139	0207-12200	Throttle Lever Shaft	1	1	
140	89-1852-140001	Belleville Spring H14	1	1	
141	0207-12100	Throttle Lever CMP	1	1	

Fig. 1 FRAME & CONTROL

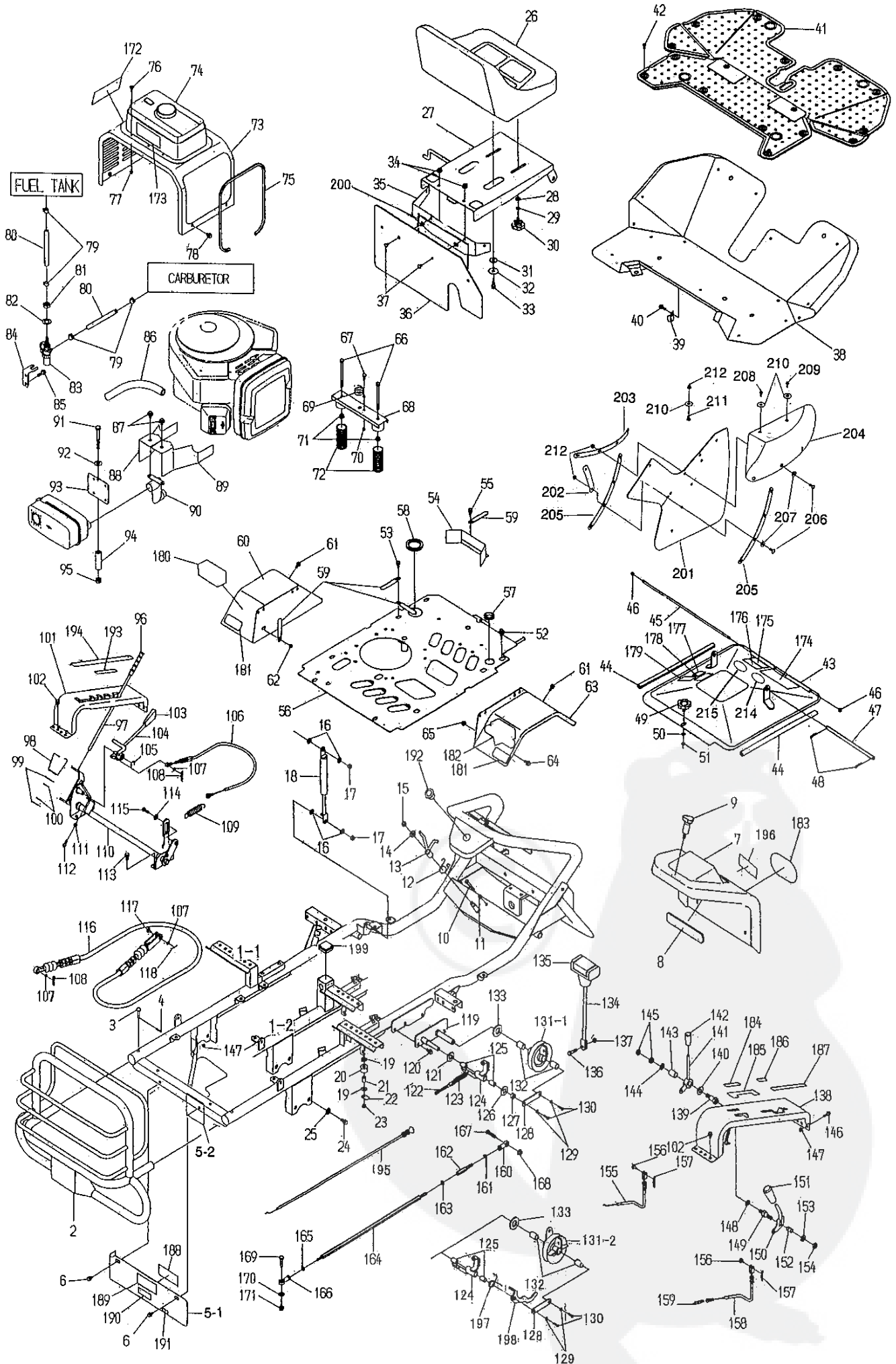


Fig.1 FRAME & CONTROL

Ref.	Parts No.	Parts Name	Quantity		Remarks
			RM86B	RM86TB	
			B&S 14HP	B&S 14HP	
142	0207-72600	Lever Grip 8(black)	1	1	
143	89-3510-014150	DU Bush 14.15	1	1	
144	89-1714-100002	Flat Washer 10	1	1	
145	89-1611-100042	Mini Hexagonal Nut M10	2	2	
146	89-1236-080202	Mini Hexagonal Bolt (PWSW) M8*20	4	4	
147	89-1631-080042	Flange Mini Hexagonal Nut M8	5	5	
148	89-1750-100002	Spring Washer 10	1	1	
149	0207-12400	Differential Lock Lever Shaft	1	1	
150	0207-12300	Differential Lock Lever CMP	1	1	
151	83-1210-425-00	Lever Grip 10	1	1	
152	80-1020-263-00	Control Lever Shaft Spring	1	1	
153	89-1714-100002	Flat Washer 10	1	1	
154	89-1561-100002	Mini Hexagonal U Nut M10	1	1	
155	0207-70200	Throttle Wire (B)	1	1	
156	89-2181-060162	Flat Head Pin 6*16	4	4	
157	89-2132-060002	Snap Pin 6	4	4	
158	0207-70700	Differential Lock Wire	1	1	
159	80-1425-551-00	Differential Lock Spring	1	1	
160	80-1487-962-10	Rod End PHS10ECL	1	1	
161	83-1488-195-02	Mini Hexagonal Nut M10 (L)	1	1	
162	80-1485-265-00	Shift Rod Adjuster	1	1	
163	89-1611-100042	Mini Hexagonal Nut M10	1	1	
164	0215-10110	Shift Rod	1	1	
165	89-1611-100042	Mini Hexagonal Nut M10	1	1	
166	80-1487-964-10	Rod End PHS10EC	1	1	
167	89-1213-100302	Mini Hexagonal Bolt (8T) M10*30	1	1	
168	89-1631-100042	Flange Mini Hexagonal Nut M10	1	1	
169	89-1213-100352	Mini Hexagonal Bolt (8T) M10*35	1	1	
170	89-1711-100002	Flat Washer 10	1	1	
171	89-1631-100042	Flange Mini Hexagonal Nut M10	1	1	
172	0207-73700	Label, HST	1	1	
173	83-1415-909-00	Sticker for Engine (Z18-6)	1	1	*13)
	0223-76200	Label, Caution for Engine etc	1	1	*1) *17)
	0214-72100	Label, Caution for Engine etc	1	1	*1) *18)
174	80-1484-A47-00	Label, Caution (large)	1	1	*13)
	0223-76100	Label, Caution(large)	1	1	*1) *14)
175	83-1310-902-00	OREC Mark	1		
176	83-1488-907-00	Attention Mark for Slope	1	1	*13)
177	80-1010-933-00	Label, CE	1	1	
178	Not for sale	Label, Serial No.	1	1	
179	80-1020-932-00	Label, Noise 100db	1	1	
180	Not for sale	Label, Model RM86	1		
	Not for sale	Label, Model RM90		1	
181	80-1484-907-00	Reflection Seat (Yellow)	2	2	
182	80-1484-903-00	Label, Rabbit	1	1	
183	80-1484-904-00	Label, Main	1		
184	0217-70200	Label, Throttle (13169)	1	1	
185	0217-70100	Label, Differential Lock (13168)	1	1	
186	80-1488-924-00	Label, Chork (13118)	1	1	
187	80-1488-911-00	Label, Change Lever (13110)	1	1	
188	0207-73500	Label, Belt	1	1	
189	80-1488-928-00	Label, Caution for Belt Involving	1	1	*13)
	80-1488-928-10	Label, Caution for Belt Involving	1	1	*1) *14)
190	0215-80400	Driving Clutch ON-OFF Label	1	1	

Fig. 1 FRAME & CONTROL

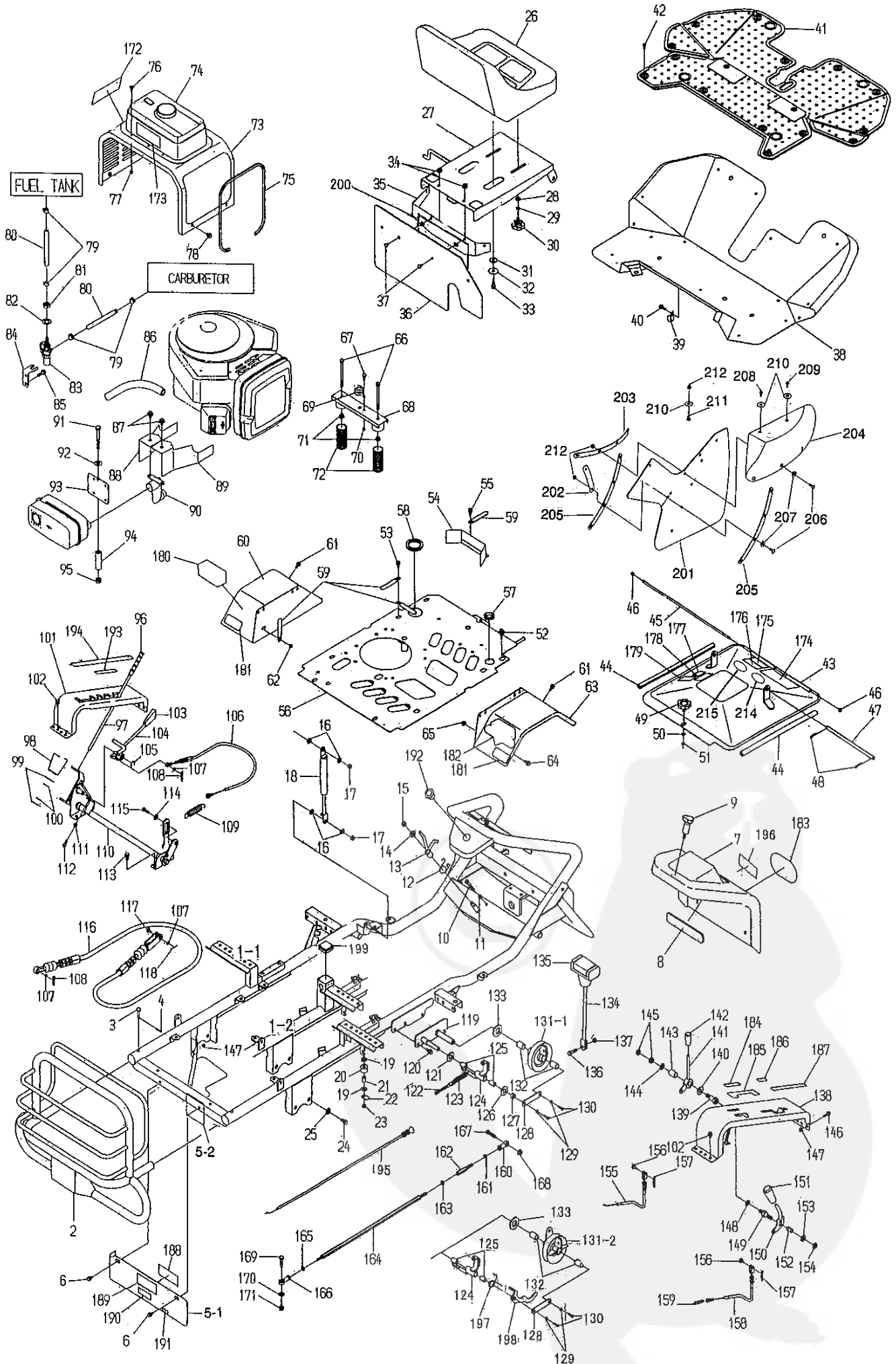


Fig.1 FRAME & CONTROL

Ref.	Parts No.	Parts Name	Quantity		Remarks
			RM86B	RM86TB	
			B&S 14HP	B&S 14HP	
191	0217-70800	Oil Label 1.0L	1	1	
192	89-3511-022150	DU Bush 22.15.33F	1	1	
193	80-1488-915-00	Label, Knife (13114)	1	1	
194	80-1484-A45-00	Label, Cutting Height Adjustment	1	1	
195	83-1483-957-00	Choke Wire	1	1	
196	80-1484-909-00	Label, RM	1		
197	0207-79100	Spring For Change Return Arm	1	1	*3)
198	0207-13400	Change Return Arm	1	1	*3)
199	0207-79500	Square Pipe Cap 38	2	2	*5)
200	0228-21700	Shield Reinforce Plate	1	1	*8)
201	0215-21100	Rubber for Fender Cover	1	1	*12)
202	0217-20300	Bar for Connecting Reinforce	1	1	*12)
203	0217-20400	Fender Cover Holder	1	1	*12)
204	0217-20500	Fender Cover (R)	1	1	*12)
205	0217-20800	Reinforce for Rubber Cover	2	2	*12)
206	0217-72200	Hexagonal Hole Screw M6*18	8	8	*12)
207	0217-72300	Flat Washer 6*13*1.0	8	8	*12)
208	89-1111-060162	Hexagonal Bolt M6*16	2	2	*12)
209	89-1111-060202	Hexagonal Bolt M6*20	1	1	*12)
210	89-1713-060002	Flat Washer 6	4	4	*12)
211	89-1390-060142	Welded Bolt M6*14	1	1	*12)
212	83-1575-189-00	Flange Cap Nut M6	12	12	*12)
214	0215-83200	Label, Protection Equipment	1	1	*14)
215	0215-83100	Attention Mark for Slope	1	1	*14)

- *1) Interchangeable
- *2) Serial Number : ~ XW01F00037
- *3) Serial Number : XW01K00038~
- *4) Serial Number : ~XW01K00065
- *5) Serial Number : XW01L00066~
- *6) Serial Number : ~XW01L00081
- *7) Serial Number : XW01M00082~
- *8) Serial Number : XW02J00012~
- *9) Serial Number : ~XW02J00013
- *10) Serial Number : XW02L00014~
- *11) Serial Number : ~XW03A00060
- *12) Serial Number : XW03B00001~
- *13) Serial Number : ~XW03B00044
- *14) Serial Number : XW03J00045~
- *15) Serial Number : ~XW04L00108**
- *16) Serial Number : XW04M00109~**
- *17) Serial Number : ~XW05J00079**
- *18) Serial Number : XW05L00080~**



Fig.2-1 TRANSMISSION

Ref.	Parts No.	Parts Name	Quantity		Remarks
			RM86B	RM86TB	
			B&S 14HP	B&S 14HP	
1~72	0215-01000	Gear Case Assy	1	1	
1	0207-00100	Transmission Case(L)	1	1	
2	0207-00200	Transmission Case(R)	1	1	
3	0207-00300	A Axle	1	1	
4	89-3115-060044	Bearing 6004 2RS	2	2	
5	89-2150-050160	Key 5*16(round)	1	1	
6	0207-00400	20T Spiral Mita Gear(L)	1	1	
7	89-2511-000170	Snap Ring (S17)	1	1	
8	89-2151-050200	Key 5*20(harf round)	1	1	
9	89-2512-000420	Snap Ring (R42)	1	1	
10	89-5121-204208	Oil Seal UE 20.42.8	1	1	
11	0207-01700	Swing Arm CMP	1	1	
12	0207-01600	Shift Fork Shaft CMP	1	1	
13	89-3410-080000	Steel Ball 8	1	1	
14	80-1310-138-00	Spring 1.4	1	1	
15	0207-01900	Shift Spring Holder	1	1	
16	83-1020-148-00	Hexagonal Tap Tight M6*14	2	2	
17	89-5121-122207	Oil Seal UE 12.22.7	2	2	
18	83-1032-689-00	Oil Gauge KMS28A	1	1	
19	89-3111-060044	Bearing 6004	4	4	
20	0207-00600	B Axle	1	1	
21	0207-00500	20T Spiral Mita Gear(R)	1	1	
22	0207-00700	C Axle	1	1	
23	0215-00400	Shift Gear 28	1	1	
24	0215-00500	C Axle Collar 26	1	1	
25	89-3111-062024	Bearing 6202	2	2	
26	83-1020-361-00	Thrust Washer 15*24*1.0	1	1	
27	0207-01310	Brake Shaft 34T Gear	1	1	
28	0215-00300	Brake Shaft	1	1	
29	89-5121-153007	Oil Seal UE 15.30.7	1	1	
30	89-2511-000150	Snap Ring (S15)	1	1	
31~34	0207-73000	Brake Assy	1	1	
31	80-1030-282-00	Brake Durm(PA-7)	1	1	
32	80-1030-288-00	Brake Cover PK(PA-7)	1	1	
	0207-04100	Brake Cover PK(PA-7)	1	1	*1)
33	80-1030-284-00	Brake Shoe(PA-7)	1	1	
34	0207-73100	Brake Cap Assy	1	1	
35	89-1750-060002	Spring Washer 6	4	4	
36	89-1113-060122	Hexagonal Bolt (8T) M6*12	4	4	
37	89-3111-062034	Bearing 6203	2	2	
38	0207-01400	D Axle 37T Gear	1	1	
39	80-1487-142-00	D Axle	1	1	*2)
	0207-02700	D Axle	1	1	*3)
40	80-1830-113-00	Differential Lock Fork	1	1	
41	0207-01800	Differential Lock Fork Shaft	1	1	
42	89-2111-050020	Spring Pin 5*20	1	1	
43	89-2111-030020	Spring Pin 3*20	1	1	
44	89-2511-000400	Snap Ring (S40)	1	1	
45	80-1425-143-00	Differential Lock Cone	1	1	
46	80-1751-162-00	Side Clutch Spring	1	1	
47	83-1830-382-00	Thrust Washer 40*48*1.0	1	1	
48	80-1481-148-20	Axle Gear CMP	1	1	*2)
	0207-02800	Axle Gear CMP	1	1	*3)

Fig. 2-1 TRANSMISSION

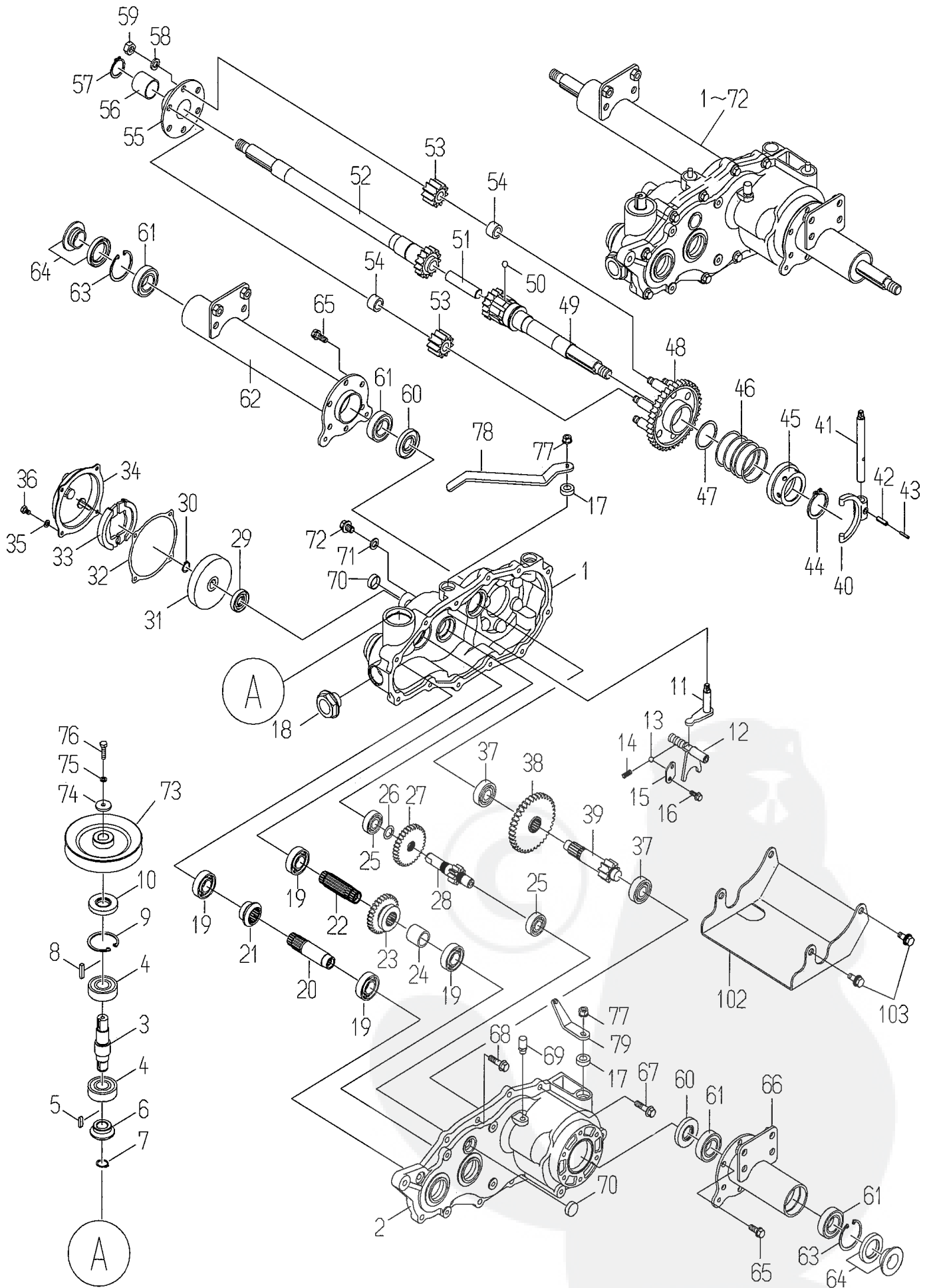


Fig.2-1 TRANSMISSION

Ref.	Parts No.	Parts Name	Quantity		Remarks
			RM86B	RM86TB	
			B&S 14HP	B&S 14HP	
49	80-1493-147-00	Axle(R) CMP	1	1	*2)
	0215-00800	Axle(R) CMP	1	1	*3)
50	89-3410-075000	Steel Ball 7.5	3	3	
51	80-1415-150-00	Axle Pin	1	1	
52	80-1493-146-00	Axle(L) CMP	1	1	*2)
	0215-00900	Axle(L) CMP	1	1	*3)
53	80-1481-152-00	Differential Lock Gear 11T	4	4	
54	80-1481-155-00	Differential Gear Shaft Collar	4	4	
55	80-1481-151-00	Differential Lock Plate	1	1	
56	89-3510-028300	DU Bush 28.30	1	1	
57	89-2511-000280	Snap Ring (S28)	1	1	
58	89-1750-100002	Spring Washer 10	6	6	
59	89-1613-100042	Mini Hexagonal Nut (3 sort) M10	6	6	
60	89-5121-284708	Oil Seal UE 28.47.8.	2	2	
61	89-3115-060054	Bearing 6005 2RS	4	4	
62	0215-00600	Axle Case(L) CMP	1	1	
63	89-2512-000470	Snap Ring (R47)	2	2	
64	83-1415-663-00	Oil Seal AP 30.47.7	2	2	
65	89-1235-080202	Mini Hexagonal Bolt (SW) M8*20	12	12	
66	0215-00700	Axle Case(R) CMP	1	1	
67	89-1251-080253	Flange Hexagonal Bolt M8*25	9	9	
68	83-1482-143-00	Hexagonal Tap Tight M8*25	3	3	
69	0207-06100	Air Bleezer	1	1	
70	83-1415-671-00	Black Cap 22	2	2	
71	83-1020-349-00	Packing 10.5*18*1.6	1	1	
72	89-1252-100122	Flange Mini Hexagonal Bolt M10*12	1	1	
73	0207-40200	Transmission Pulley	1	1	
74	83-1482-311-00	Washer 6.5*22*3.2	1	1	
75	89-1750-060002	Spring Washer 6	1	1	
76	89-1113-060202	Hexagonal Bolt (8T) M6*20	1	1	
77	89-1543-080002	Mini Hexagonal Nut (SW) M8	2	2	
78	0215-00100	Driving Clutch Arm	1	1	
79	80-1488-153-00	Differential Lock Arm	1	1	
102	0207-03100	Mission Guard CMP	1	1	
103	89-1239-080162	Mini Hexagonal Bolt (PWSW) M8*16	4	4	

Fig. 2-2 TRANSMISSION HST

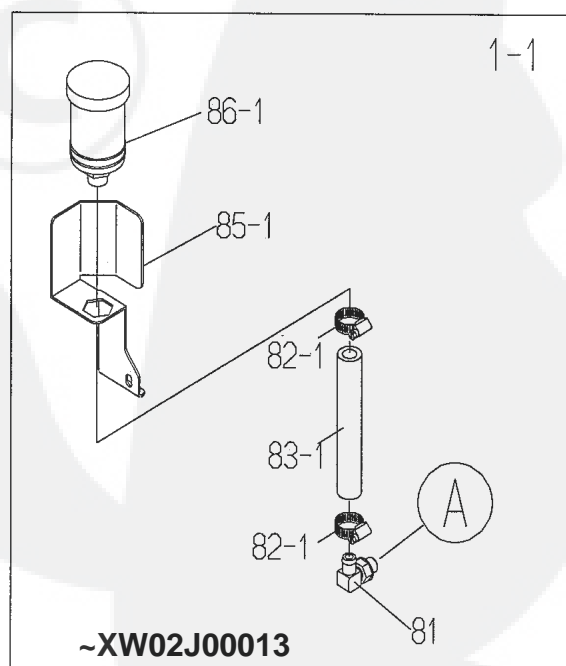
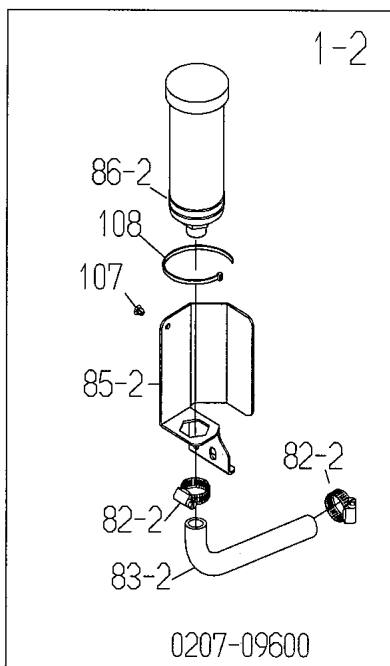
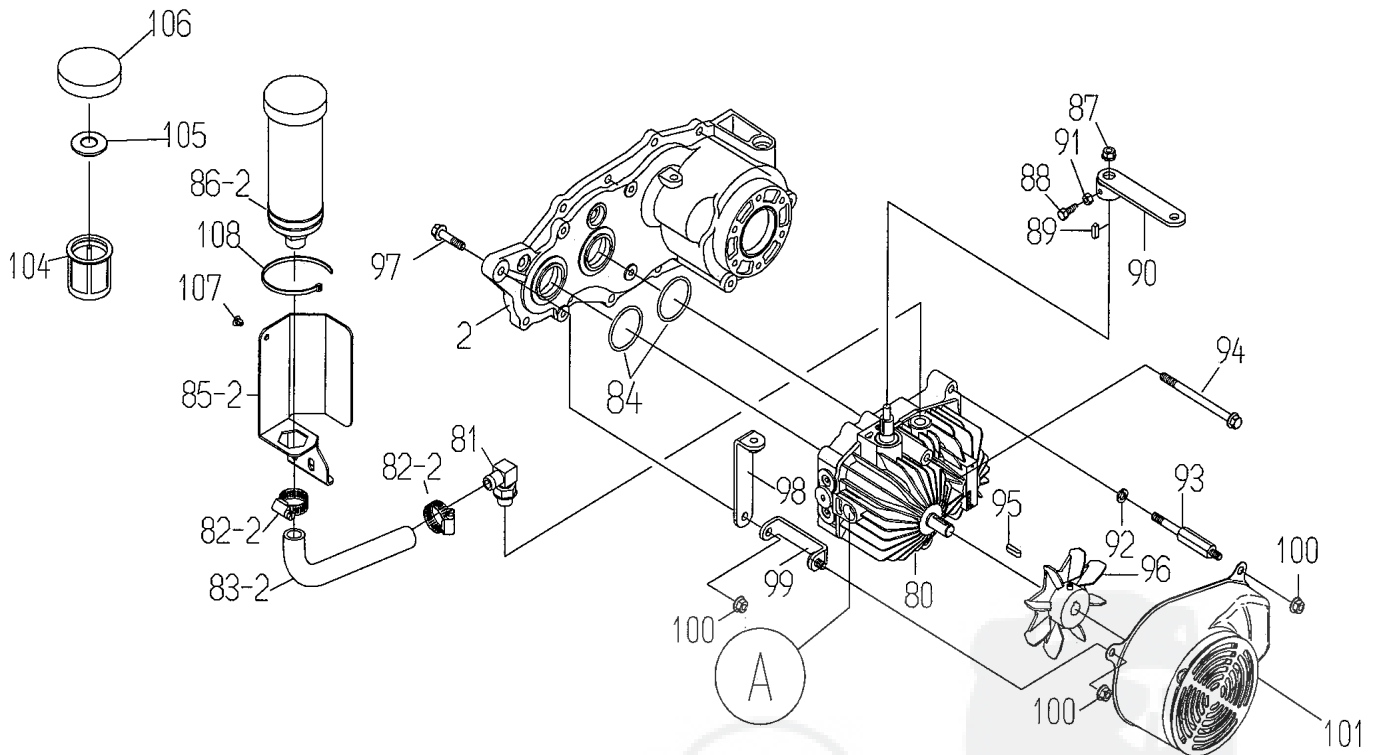
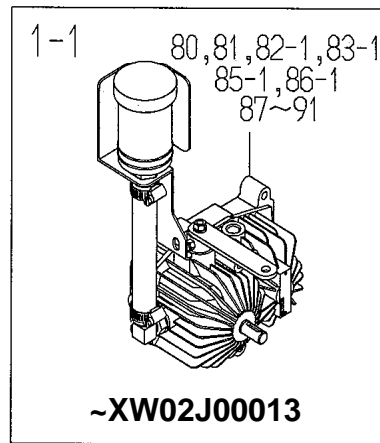
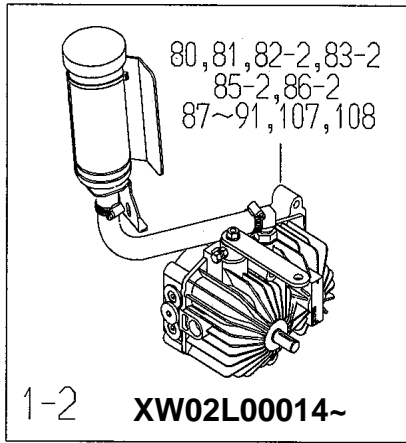


Fig.2-2 TRANSMISSION HST

Ref.	Parts No.	Parts Name	Quantity		Remarks
			RM86B	RM86TB	
			B&S 14HP	B&S 14HP	
1-1	0215-02000	HST Unit Assy	1	1	*9)
1-2	0207-09730	HST Unit Assy	1	1	*1) *10)
80	0207-07110	HST Unit	1	1	
81	0207-07700	Port Joint	1	1	
82-1	0207-08100	Horse Band 30	2	2	*9)
82-2	0228-70200	Horse Band 24	2	2	*10)
83-1	0207-07910	Oil Horse L-195	1	1	*9)
83-2	0228-70100	Oil Horse	1	1	*10)
84	89-5222-045000	O Ring G45	2	2	
85-1	0207-08210	Oil Tank Setting	1	1	*9)
85-2	0207-08220	Oil Tank Setting	1	1	*10)
86-1	0207-07620	Oil Tank	1	1	*9)
86-2	0207-07630	Oil Tank	1	1	*10)
87	89-1543-080002	Mini Hexagonal Nut (SW) M8	1	1	
88	89-1113-060162	Hexagonal Bolt (8T) M6*16	1	1	
89	89-2151-050160	Key 5*16(harf round)	1	1	
90	0207-02610	Control Arm CMP	1	1	
91	89-1511-060042	Hexagonal Nut M6	1	1	
92	89-1750-080002	Spring Washer 8	2	2	
93	0207-07300	Double Spring Bolt	2	2	
94	89-1251-081123	Flange Hexagonal Bolt M8*112	2	2	
95	89-2150-050200	Key 5*20(round)	1	1	
96	0207-07500	Fan	1	1	
97	89-1251-080352	Flange Hexagonal Bolt M8*35	1	1	
98	0215-05100	Transmission Hunger Stay CMP	1	1	
99	0207-07400	Fan Cover Setting CMP	1	1	
100	89-1631-080042	Flange Mini Hexagonal Nut M8	4	4	
101	0207-07200	Fan Cover CMP	1	1	
104	0207-71300	Filter(with level)	1	1	
105	0207-08400	Cap Packing	1	1	
106	0207-08300	Oil Tank Cap	1	1	
107	0207-79800	Push Clip	1	1	*10)
108	0207-79900	Wire Band 250L	1	1	*10)

- *1) Interchangeable
- *2) Serial Number : ~ XW01F00037
- *3) Serial Number : XW01K00038~
- *4) Serial Number : ~XW01K00065
- *5) Serial Number : XW01L00066~
- *6) Serial Number : ~XW01L00081
- *7) Serial Number : XW01M00082~
- *8) Serial Number : XW02J00012~
- *9) Serial Number : ~XW02J00013
- *10) Serial Number : XW02L00014~
- *11) Serial Number : ~XW03A00060
- *12) Serial Number : XW03B00001~
- *13) Serial Number : ~XW03B00044
- *14) Serial Number : XW03J00045~
- *15) Serial Number : ~XW04L00108**
- *16) Serial Number : XW04M00109~**
- *17) Serial Number : ~XW05J00079**
- *18) Serial Number : XW05L00080~**

Fig. 3 FRONT AXLE & TIRE

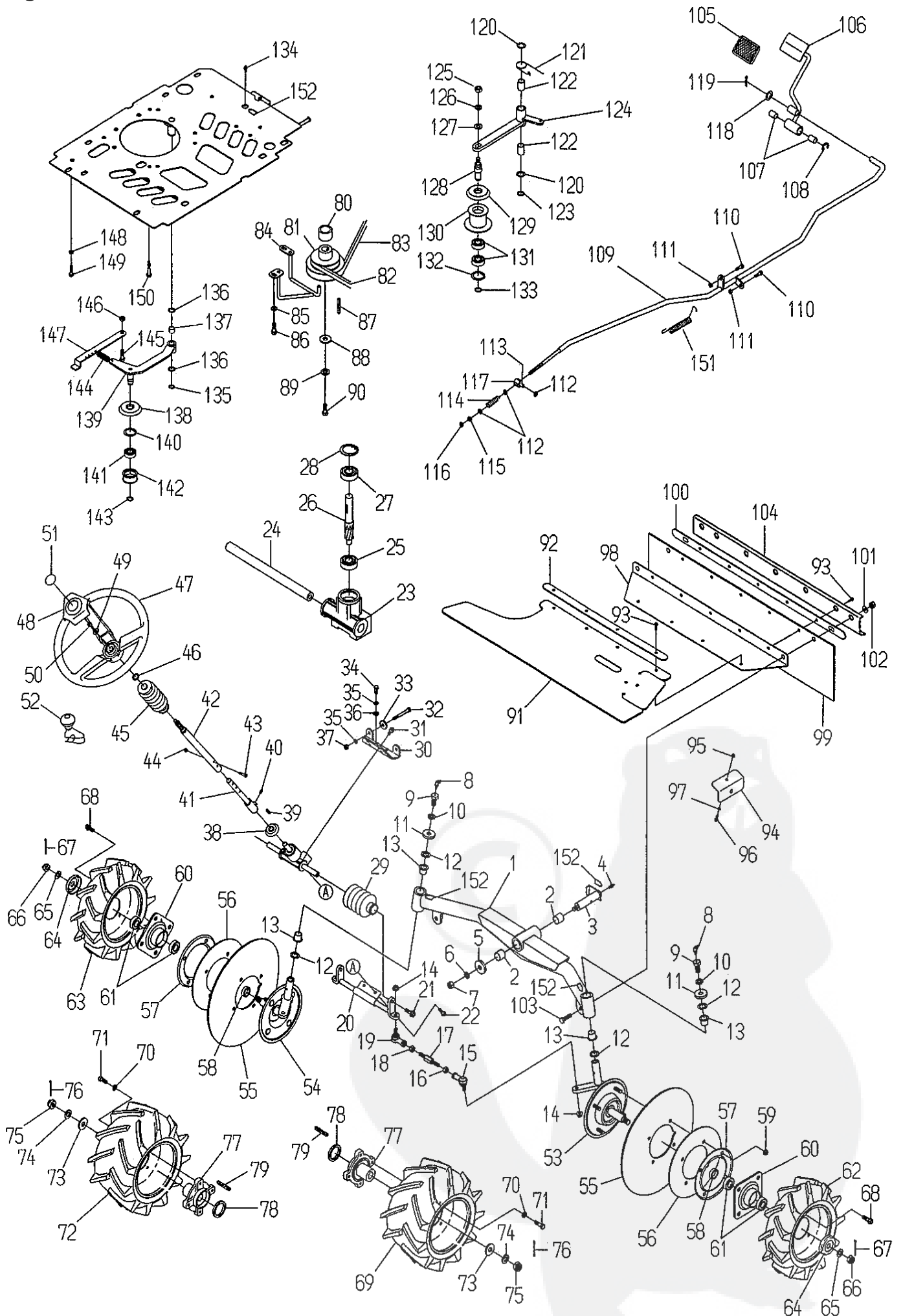


Fig.3 FRONT AXLE & TIRE

Ref.	Parts No.	Parts Name	Quantity		Remarks
			RM86B	RM86TB	
			B&S 14HP	B&S 14HP	
1	0215-30200	Front Axle CMP	1	1	
2	89-3510-025350	DU Bush 25.35	2	2	
3	0207-30700	Center Pin	1	1	
4	83-1415-975-00	Grease Nipple M6	1	1	
5	89-1713-120002	Flat Washer(Large) 12	1	1	
6	89-1750-120002	Spring Washer 12	1	1	
7	89-1551-120002	Hexagonal U Nut M12	1	1	
8	83-1515-975-00	Grease Nipple C-Type M6	2	2	
9	84-1783-791-00	Nipple Bolt M14	2	2	
10	89-1750-140002	Spring Washer 14	2	2	
11	84-1783-729-00	Fork Shaft Dust Cover	2	2	
12	83-1310-371-00	Thrust Washer 20*30*1.0(80-1310-133-0	4	4	
13	89-3511-020200	DU Bush 20.20.31F	4	4	
14	83-1493-255-00	Washer Based Rock Nut(slender)M10	4	4	
15	80-1493-963-00	Link Ball LHSA 10DLE21	2	2	
16	83-1493-195-00	Hexagonal Nut (slender)M10 Left	2	2	
17	0207-13100	Tie Rod Adjuster	2	2	
18	89-1512-100042	Hexagonal Nut (slender)M10	2	2	
19	80-1493-962-00	Link Ball LHSA 10DE21	2	2	
20	80-1484-321-30	Rack Support	1	1	
21	89-1124-100253	Washer Based Bolt(slender)M10x25	2	2	
22	83-1020-143-00	Hexagonal Tap Tight M8*18	2	2	
23~28	80-1484-962-10	Steering Gear Box Assy	1	1	
23	80-1484-963-00	Steering Gear Box	1	1	
24	80-1484-965-00	Steering Horizontal Shaft	1	1	
25	89-3111-062024	Bearing 6202	1	1	
26	80-1484-964-00	Steering Vartical Shaft	1	1	
27	89-3114-062024	Bearing 6202 ZZ	1	1	
28	89-2512-000350	Snap Ring (R35)	1	1	
29	80-1490-967-00	Steering Boots	2	2	
30	80-1484-327-20	Steering Bracket	1	1	
31	89-1232-080162	Mini Hexagonal Bolt (SW) M8*16	4	4	
32	89-1211-080702	Mini Hexagonal Bolt M8*70	2	2	
33	83-1020-312-00	Washer 8*30*3.2	2	2	
34	89-1213-080202	Mini Hexagonal Bolt (8T) M8*20	2	2	
35	89-1750-080002	Spring Washer 8	4	4	
36	89-1713-080002	Flat Washer(Large) 8	2	2	
37	89-1611-080042	Mini Hexagonal Nut M8	2	2	
38	80-1016-461-00	Bearing Cover	1	1	
39	89-2150-050200	Key 5*20(round)	1	1	
40	83-1493-149-00	Hexagonal Screw M8*10	1	1	
41	80-1481-324-10	Steering Lower Shaft	1	1	
42	80-1481-323-20	Steering Upper Shaft	1	1	
43	89-1113-060352	Hexagonal Bolt (8T) M6*35	1	1	
44	89-1553-060002	Bag Hexagonal U Nut M6	1	1	
45	80-1484-325-00	Steering Shaft Cover	1	1	
46	83-1020-363-00	Thrust Washer 16*24*1.0	1	1	
47	80-1484-221-00	Steering Wheel	1	1	
48	80-1484-222-00	Steering Cap	1	1	
49	89-1713-100002	Flat Washer(Large) 10	1	1	
50	89-1561-100002	Mini Hexagonal U Nut M10	1	1	
51	80-1484-914-00	Label, Handle (25330)	1	1	
52	80-1487-223-00	Sub Handle Assy	1	1	
53	0207-30310	King Pin(R) CMP	1	1	

Fig.3 FRONT AXLE & TIRE

Ref.	Parts No.	Parts Name	Quantity		Remarks
			RM86B	RM86TB	
			B&S 14HP	B&S 14HP	
54	0207-30210	King Pin(L) CMP	1	1	
55	0207-30600	Front Wheel Rubber Cover	2	2	
56	0207-30800	Front Wheel Rubber Cover (IN)	2	2	
57	0207-30900	Front Wheel Rubber Cover Support	2	2	
58	0207-31100	King Pin Collar	2	2	
59	89-1631-080042	Flange Mini Hexagonal Nut M8	8	8	
60	0207-30410	Front Wheel Boss CMP	2	2	
61	89-3115-060044	Bearing 6004 2RS	4	4	
62	80-1260-412-00	Front Wheel Tire(R) Assy 3.50-7	1	1	
63	80-1260-411-00	Front Wheel Tire(L) Assy 3.50-7	1	1	
64	0207-30500	Front Wheel Dust Cover	2	2	
65	89-1750-140002	Spring Washer 14	2	2	
66	89-1668-140042	Mini Ditch Nut(low 2 sort) M14	2	2	
67	89-2120-250252	Split Pin 2.5*25	2	2	
68	89-1232-100202	Mini Hexagonal Bolt (SW) M10*20	8	8	
69	80-1751-412-00	Rear Wheel Tire(R) Assy 16*7.00-8	1	1	
70	89-1750-100002	Spring Washer 10	8	8	
71	89-1213-100252	Mini Hexagonal Bolt (8T) M10*25	8	8	
72	80-1751-411-00	Rear Wheel Tire(L) Assy 16*7.00-8	1	1	
73	83-1630-335-00	Washer 16*40*4.5	2	2	
74	89-1750-160002	Spring Washer 16	2	2	
75	89-1658-160042	Low Fluted Nut (2 Sorts) M16	2	2	
76	89-2120-350352	Split Pin 3.5*35	2	2	
77	0215-30100	Rear Wheel Boss	2	2	
78	0207-77800	Wheel Boss Dust Seal	2	2	
79	89-2150-070500	Key 7*50(round)	2	2	
80	80-1485-513-00	Engine Collar 26	1	1	
81	80-1488-514-00	Engine Pulley	1	1	
82	89-6123-003203	V Belt (driving) LB-32SG1000	1	1	
83	89-6123-007502	V belt (Cutting) SB-75W800	1	1	
84	80-1485-518-00	Knife Belt Holder(engine) CMP	1	1	
85	89-1713-100002	Flat Washer(Large) 10	2	2	
86	89-1232-100202	Mini Hexagonal Bolt (SW) M10*20	2	2	
87	83-1437-205-00	Key 1/4 inch*40	1	1	
88	80-1487-516-00	Washer 11*40*6	1	1	
89	83-1493-300-00	Spring Washer 7/16	1	1	
90	83-1482-115-00	Hexagonal Bolt(8T) UNF7/16-20*45	1	1	
91	0215-60600	Upper Flapper	1	1	
92	80-1437-785-10	Upper Flapper Holder	1	1	
93	89-1137-060152	Hexagonal Bolt (PW) M6*15	9	9	
94	0207-60900	Upper Flapper Holder(R)	1	1	
95	83-1575-189-00	Flange Cap Nut M6	1	1	
96	89-1137-060172	Hexagonal Bolt (PW) M6*17	1	1	
97	89-1713-060002	Flat Washer(Large) 6	1	1	
98	0215-60500	Front Upper Guard CMP	1	1	
99	80-1484-417-20	Front Flapper	1	1	*11)
	0215-61200	Front Flapper	1	1	*1) *12)
100	80-1484-416-20	Front Guard	1	1	
101	89-1713-100002	Flat Washer(Large) 10	2	2	
102	89-1543-100002	Mini Hexagonal Nut (SW) M10	2	2	
103	89-1213-100357	Mini Hexagonal Bolt (8T) M10*35	2	2	
104	0215-80600	Food Guard	1	1	
105	80-1781-943-00	Pedal Rubber	1	1	
106	0207-10100	Brake Pedal	1	1	

Fig. 3 FRONT AXLE & TIRE

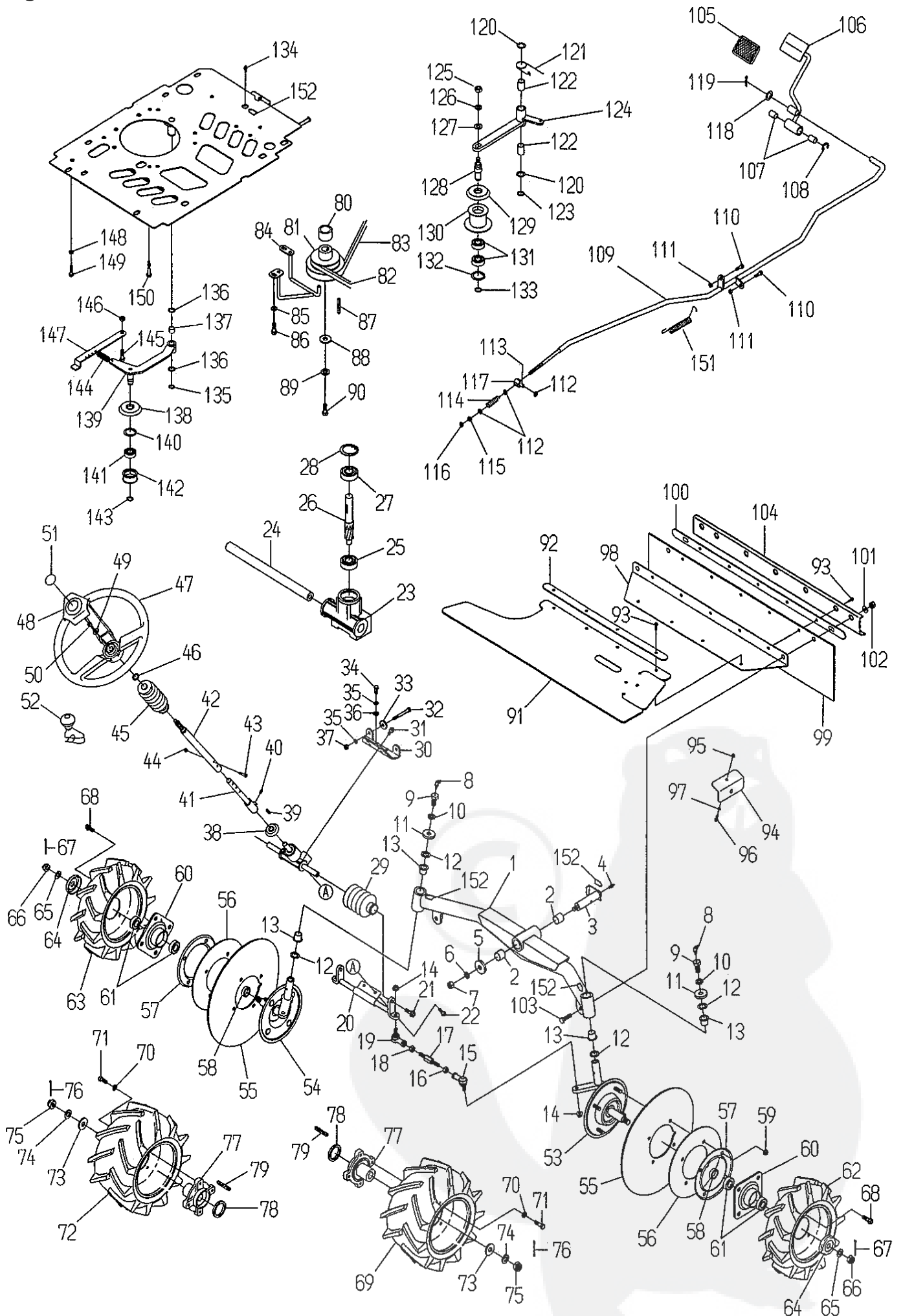


Fig.3 FRONT AXLE & TIRE

Ref.	Parts No.	Parts Name	Quantity		Remarks
			RM86B	RM86TB	
			B&S 14HP	B&S 14HP	
107	89-3510-016250	DU Bush 16.25	2	2	
108	89-2521-000150	E Type Ring 15	1	1	
109	0215-10200	Brake Rod CMP	1	1	
110	89-1213-100352	Mini Hexagonal Bolt (8T) M10*35	2	2	
111	89-1611-100042	Mini Hexagonal Nut M10	2	2	
112	89-1711-080002	Flat Washer 8	3	3	
113	89-2120-200152	Split Pin 2*15	1	1	
114	0207-75400	Brake Spring 30	1	1	
115	89-1611-080042	Mini Hexagonal Nut M8	1	1	
116	83-1490-198-00	Hexagonal U Nut M8	1	1	
117	0207-10300	Brake Joint	1	1	
118	89-1711-120002	Flat Washer 12	1	1	
119	89-2131-120002	Snap Pin 12	1	1	
120	83-1020-363-00	Flat Washer 8	2	2	
121	80-1483-568-00	Knife Tension Return Spring ϕ 29	1	1	
122~133	0207-41010	Knife Tension Arm Assy	1	1	
122	89-3510-016250	DU Bush 16.25	2	2	
123	89-2511-000160	Snap Ring (S16)	1	1	
124	0207-41210	Knife Tension Arm	1	1	
125	89-1611-100042	Mini Hexagonal Nut M10	1	1	
126	89-1750-100002	Spring Washer 10	1	1	
127	89-1713-100002	Flat Washer(Large) 10	1	1	
128	83-1482-763-00	Tension Pulley Shaft	1	1	
129	80-1482-549-00	Rubber Cover 58	1	1	
130	83-1483-782-00	Knife Tension Pulley	1	1	
131	89-3114-062024	Bearing 6202 ZZ	2	2	
132	89-2512-000350	Snap Ring (R35)	1	1	
133	89-2511-000150	Snap Ring (S15)	1	1	
134	83-1415-975-00	Grease Nipple M6	1	1	
135	89-2511-000160	Snap Ring (S16)	1	1	
136	83-1020-363-00	Thrust Washer 16*24*1.0	2	2	
137~143	80-1488-541-00	Drive Tension Arm CMP Assy	1	1	
137	89-3510-016150	DU Bush 16.15	2	2	
138	80-1482-549-00	Rubber Cover 58	1	1	
139	80-1488-543-00	Drive Tension Arm CMP	1	1	
140	89-2512-000400	Snap Ring (R40)	1	1	
141	89-3115-062034	Bearing 6203 2RS	1	1	
142	83-1032-765-00	Tension Pulley	1	1	
143	89-2511-000170	Snap Ring (S17)	1	1	
144	80-1485-551-00	Driving Tension Spring	1	1	
145	89-1211-100252	Mini Hexagonal Bolt M10*25	1	1	
146	89-1611-100042	Mini Hexagonal Nut M10	1	1	
147	0215-40100	Drive Tension Spring Arm	1	1	
148	89-1611-080042	Mini Hexagonal Nut M8	1	1	
149	89-1211-080352	Mini Hexagonal Bolt M8*35	1	1	
150	89-1213-080402	Mini Hexagonal Bolt (8T) M8*40	4	4	
151	80-1493-354-00	Rod Return Spring	1	1	
152	0215-81500	Label Grease	4	4	

Fig. 4 ELECTRIC EQUIPMENT

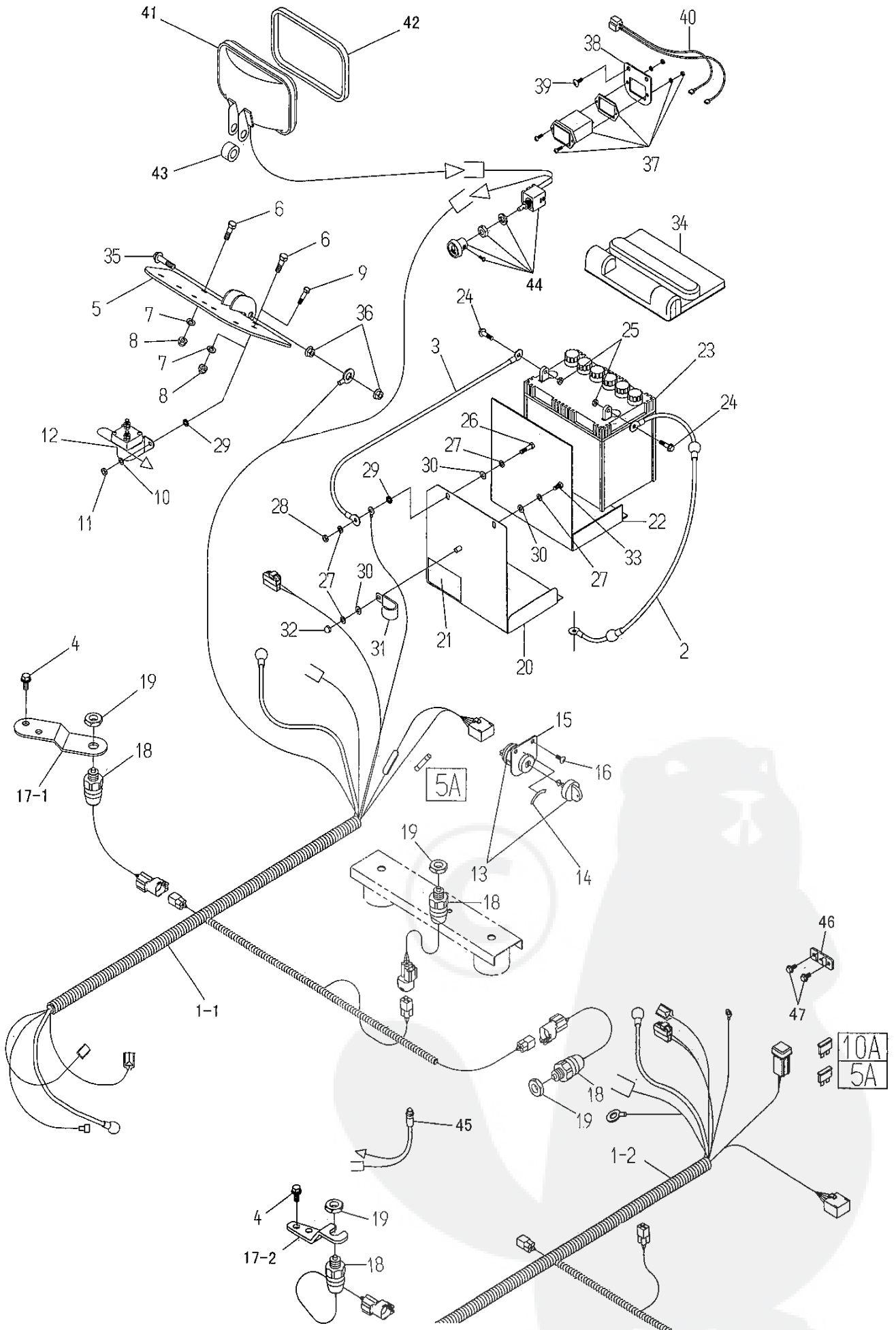


Fig.4 ELECTRIC EQUIPMENT

Ref.	Parts No.	Parts Name	Quantity		Remarks
			RM86B	RM86TB	
			B&S 14HP	B&S 14HP	
1-1	0215-72100	Wire Harness (B)	1	1	*4)
1-2	0215-72110	Wire Harness (B)	1	1	*1) *5)
2	0207-77100	Battery Plus Cord 230	1	1	
3	0207-77200	Battery Minus Cord 230	1	1	
4	89-1236-080202	Mini Hexagonal Bolt (PWSW) M8*20	2	2	
5	0207-20800	Light Bracket	1	1	
6	89-1211-080162	Mini Hexagonal Bolt M8*16	2	2	
7	89-1750-080002	Spring Washer 8	2	2	
8	89-1671-080042	Mini Hexagonal Cap Nut M8	2	2	
9	89-1111-060142	Hexagonal Bolt M6*14	2	2	
10	89-1750-060002	Spring Washer 6	2	2	
11	89-1511-060042	Hexagonal Nut M6	2	2	
12	80-1483-978-00	Magnetic Switch (MS2-401)	1	1	
13	80-1484-977-00	Key Switch(E1635H)	1	1	
	0207-79700	Key Switch	1	1	*1) *8)
14	80-1488-912-00	Label, Key (13121)	1	1	
15	80-1482-332-00	Key Switch BK	1	1	
16	89-1159-060168	Truss Mini Screw M6*16	2	2	
17-1	0207-10600	Cutting Height Switch Bracket	1	1	*4)
17-2	0207-10610	Cutting Height Switch Bracket	1	1	*5)
18	0207-74400	Safety Switch K17850	3	3	
19	0207-72800	Switch Lock Nut	3	3	
20	80-1490-383-30	Battery Carrier	1	1	*4)
	80-1490-383-40	Battery Carrier	1	1	*1) *5)
21	80-1488-921-00	Label Pedal Stopper (13113)	1	1	
22	80-1482-971-00	Cushion Rubber (Battery)	1	1	
23	80-1792-976-00	Battery(32A-19L)	1	1	
24	Battery Parts	Battery Parts	2	2	
25	Battery Parts	Battery Parts	2	2	
26	89-1111-060302	Hexagonal Bolt M6*30	1	1	
27	89-1750-060002	Spring Washer 6	4	4	
28	89-1511-060042	Hexagonal Nut M6	1	1	
29	89-1812-060002	Toothed washer (inside) 6	2	2	
30	89-1713-060002	Flat Washer(Large) 6	3	3	
31	80-1792-988-00	Harness Clip 8	2	2	
32	89-1571-060042	Cap Nut M6	1	1	
33	89-1111-060252	Hexagonal Bolt M6*25	1	1	
34	0207-63200	Battery Cover	1	1	
35	89-1211-080352	Mini Hexagonal Bolt M8*35	1	1	
36	89-1631-080042	Flange Mini Hexagonal Nut M8	2	2	
37~40	85-1484-940-00	Hour Meter Assy	1	1	
37	85-1484-941-00	Hour Meter	1	1	
38	85-1484-943-10	Hour Meter Bracket	1	1	
39	89-1159-060168	Truss Mini Screw M6*16	2	2	
40	85-1484-942-00	Wire Harness for Hour Meter	1	1	
41	0207-74300	Head Lamp		1	
42	0207-75300	Tape		1	
43	0207-21100	Light Setting Collar		1	
44	80-1484-337-00	Lighting Switch(B15930)		1	
45	0207-79300	Pilot Lamp	1	1	*5)
46	0207-79200	Fuse Box Bracket	1	1	*7)
47	89-1137-060122	Hexagonal Bolt (PW) M6*12	2	2	*7)

Fig. 5 CUTTING PARTS & COVER

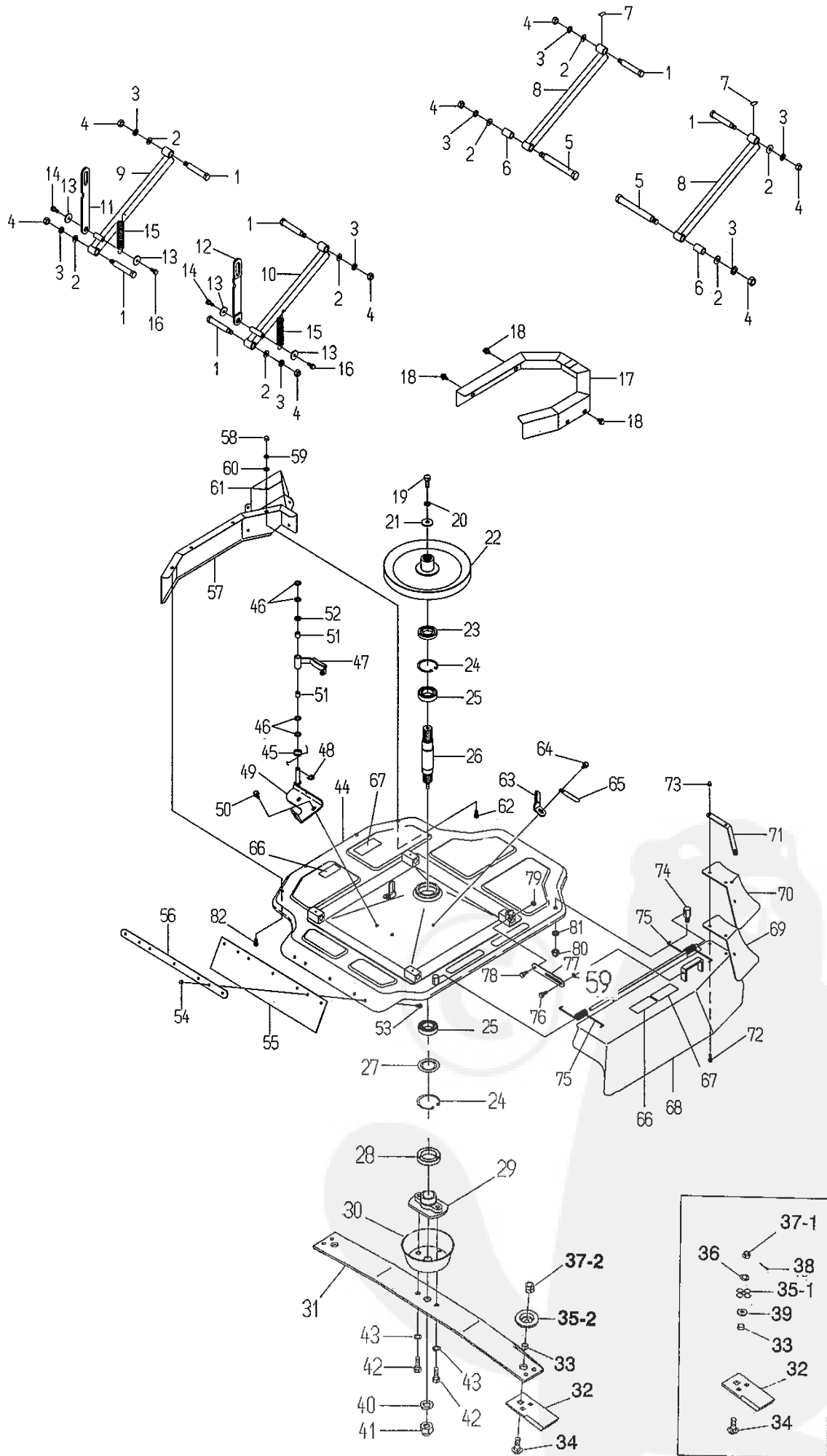


Fig.5 CUTTING PARTS & COVER

Ref.	Parts No.	Parts Name	Quantity		Remarks
			RM86B	RM86TB	
			B&S 14HP	B&S 14HP	
1	80-1481-709-10	Link Bolt	6	6	
2	89-1711-120002	Flat Washer 12	8	8	
3	89-1750-120002	Spring Washer 12	8	8	
4	89-1551-120002	Hexagonal U Nut M12	8	8	
5	0207-51600	Link Bolt	2	2	
6	0207-51500	Link Collar	2	2	
7	0215-81900	Label, Oiling	6	6	
8	80-1482-707-00	Link Arm(front)	2	2	
9	80-1484-708-00	Link Arm (Left-rear)	1	1	
10	80-1485-707-00	Link Arm (Right-rear)	1	1	
11	80-1484-275-20	Connecting Plate (Left)	1	1	
12	80-1487-276-00	Connecting Plate (Right)	1	1	
13	83-1751-311-00	Washer 8*25*2.3	4	4	
14	89-1232-080252	Mini Hexagonal Bolt (SW) M8*25	2	2	
15	80-1484-276-00	Spring (Up/Down)	2	2	
16	89-1232-080162	Mini Hexagonal Bolt (SW) M8*16	2	2	
17	80-1484-501-20	Knife Belt Cover	1	1	
18	89-1236-080162	Mini Hexagonal Bolt (PWSW) M8*16	3	3	
19	89-1213-120302	Mini Hexagonal Bolt (8T) M12*30	1	1	
20	89-1750-120002	Spring Washer 12	1	1	
21	83-1483-328-00	Washer 12*36*4.5	1	1	
22	0207-50400	Knife Pulley CMP	1	1	
23	89-5121-356210	Oil Seal UE 35.62.10	1	1	
24	89-2512-000620	Snap Ring (R62)	2	2	
25	89-3115-060074	Bearing 6007 2RS	2	2	
26	80-1493-641-00	Vertical Shaft	1	1	
27	80-1493-824-00	Dust Plate	1	1	
28	89-5121-406212	Oil Seal UE 40.62.12	1	1	
29	80-1493-833-00	Knife Bracket	1	1	
30	80-1493-836-00	Knife Neck Guard	1	1	
31	80-1493-A17-00	Knife Stay	1	1	
32	80-1483-821-00	Brade RM85	2	2	
33	80-1483-818-00	Knife Collar	2	2	
34.35-1.36 37-1.38	0207-50910	Knife Bolt Set	2	2	*15)
34.35-2 37-2	0244-78200	Knife Bolt Set	2	2	*1) *16)
34	0207-50200	Round Head Bolt M14X34	2	2	
35-1	0207-50310	Nut Guard	2	2	*15)
35-2	0244-51800	Nut Guard	2	2	*1) *16)
36	89-1750-140002	Spring Washer 14	2	2	*15)
37-1	89-1658-140042	Low Fluted Nut (2 Sorts) M14	2	2	*15)
37-2	0244-74600	Hard Lock Nut M14	2	2	*1) *16)
38	89-2120-300252	Split Pin 3*25	2	2	*15)
39	83-1483-329-00	Washer 14*30*3.2	2	2	*15)
40	89-1750-200002	Spring Washer 20	1	1	
41	80-1483-845-00	Bag Nut M20	1	1	
	83-1483-175-00	Bag Nut M20 (Rock)	1	1	*1)
42	83-1483-129-00	Mini Hexagonal Bolt(8T) M12*30	2	2	
43	89-1750-120002	Spring Washer 12	2	2	
44	80-1493-731-00	Safety Cover CMP	1	1	
45	80-1482-373-00	Brake Return Spring	1	1	
46	83-1565-329-00	Washer 13*22*2.3	4	4	

Fig. 5 CUTTING PARTS & COVER

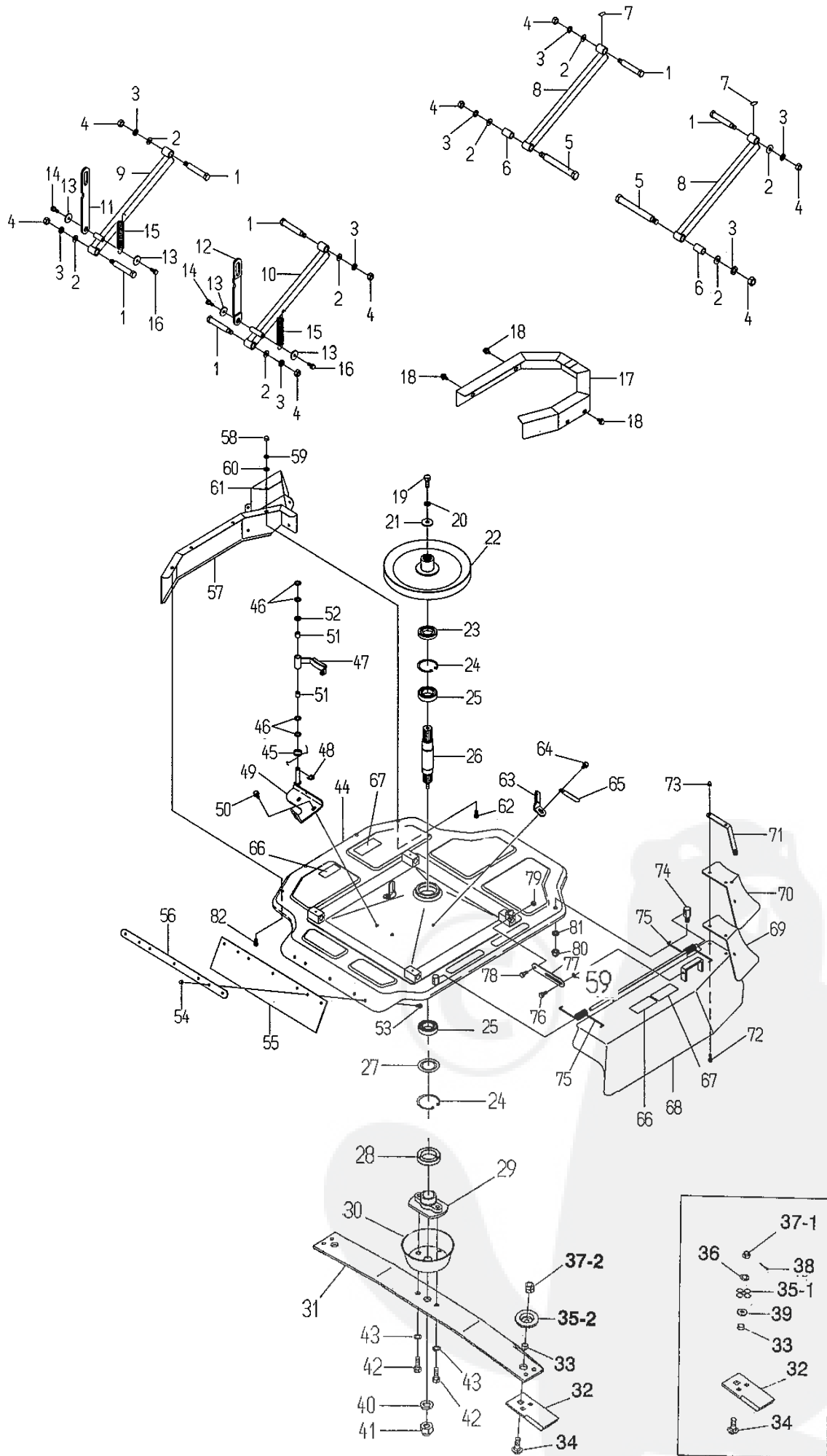


Fig.5 CUTTING PARTS & COVER

Ref.	Parts No.	Parts Name	Quantity		Remarks
			RM86B	RM86TB	
			B&S 14HP	B&S 14HP	
47	80-1482-371-30	Knife Brake (6t)	1	1	
48	89-2521-000100	E Type Ring 10	2	2	
49	0207-52120	Knife Brake Bracket CMP(NEW)	1	1	
50	89-1236-080202	Mini Hexagonal Bolt (PWSW) M8*20	2	2	
51	89-3510-012200	DU Bush 12.20	2	2	
52	83-1754-329-00	Washer 13*22*1.0	1	1	
53	89-1137-060152	Hexagonal Bolt (PW) M6*15	7	7	
54	83-1575-189-00	Flange Cap Nut M6	7	7	
55	0215-60400	Rear Guard Flapper 560	1	1	
56	80-1493-782-00	Rear Guard Flapper Holder	1	1	
57	0215-80800	Left Cover CMP	1	1	
58	89-1671-080042	Mini Hexagonal Cap Nut M8	4	4	
59	89-1750-080002	Spring Washer 8	4	4	
60	89-1714-080002	Flat Washer 8	2	2	
61	0215-80700	Left Front Cover	1	1	
62	89-1211-080202	Mini Hexagonal Bolt M8*20	1	1	
63	80-1484-617-00	Knife Pulley Belt Holder	2	2	
64	89-1236-080202	Mini Hexagonal Bolt (PWSW) M8*20	2	2	
65	80-1792-988-00	Harness Clip 8	1	1	
66	80-1488-928-00	Label, Caution for Belt Involving	2	2	*13)
	80-1488-928-10	Label, Caution for Belt Involving	2	2	*1) *14)
67	80-1488-926-00	Attention Mark for Blade (13062)	2	2	*13)
	80-1488-926-10	Label, Caution for Knife	2	2	*1) *14)
68	80-1493-A53-00	Right Cover CMP	1	1	*11)
	0215-60700	Right Cover CMP	1	1	*1) *12)
69	0215-81200	Right Front Cover	1	1	
70	80-1484-757-10	Cover Flapper (Right)	1	1	
71	80-1484-758-00	Flapper Holder(Right)	1	1	
72	89-1137-060172	Hexagonal Bolt (PW) M6*17	3	3	
73	83-1575-189-00	Flange Cap Nut M6	3	3	
74	80-1493-748-00	Right Cover Receiver Bolt	2	2	
75	80-1488-749-00	Spring for Right Cover	2	2	*11)
	0217-71100	Spring for Right Cover	1	1	*1) *12)
76	80-1488-747-00	Bolt for Right Cover Up/Down Arm	1	1	
77	80-1488-746-00	Right Cover Up/Down Arm	1	1	
78	89-1213-080202	Mini Hexagonal Bolt (8T) M8*20	1	1	
79	89-1561-080002	Mini Hexagonal U Nut M8	1	1	
80	89-1671-120042	Mini Hexagonal Cap Nut M12	2	2	
81	89-1750-120002	Spring Washer 12	2	2	
82	89-1211-080162	Mini Hexagonal Bolt M8*16	5	5	

- *1) Interchangeable
- *2) Serial Number : ~ XW01F00037
- *3) Serial Number : XW01K00038~
- *4) Serial Number : ~XW01K00065
- *5) Serial Number : XW01L00066~
- *6) Serial Number : ~XW01L00081
- *7) Serial Number : XW01M00082~
- *8) Serial Number : XW02J00012~
- *9) Serial Number : ~XW02J00013
- *10) Serial Number : XW02L00014~

- *11) Serial Number : ~XW03A00060
- *12) Serial Number : XW03B00001~
- *13) Serial Number : ~XW03B00044
- *14) Serial Number : XW03J00045~
- *15) Serial Number : ~XW04L00108**
- *16) Serial Number : XW04M00109~**
- *17) Serial Number : ~XW05J00079**
- *18) Serial Number : XW05L00080~**