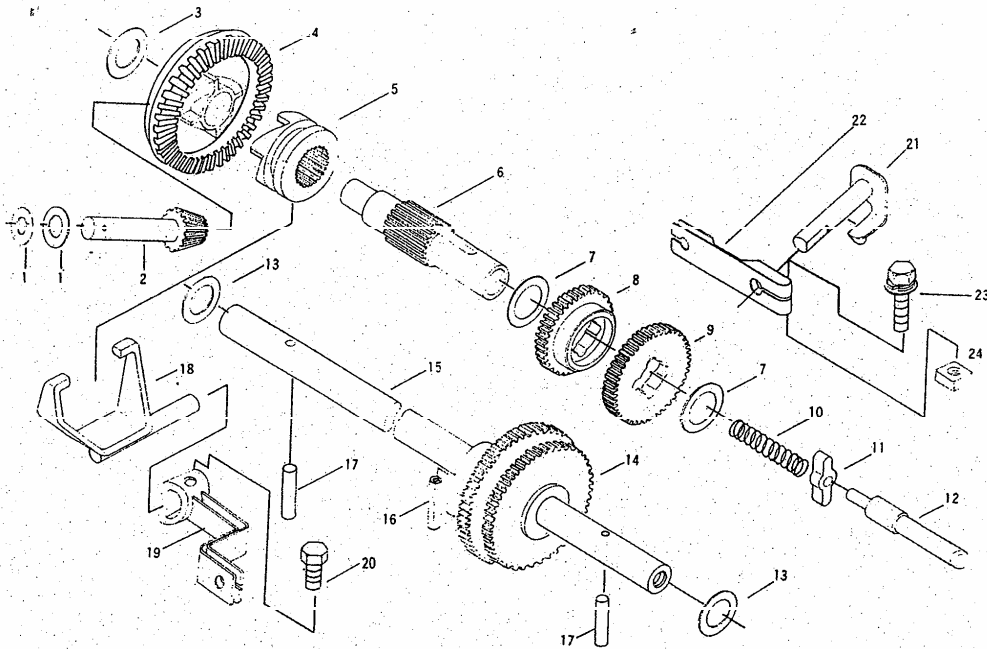
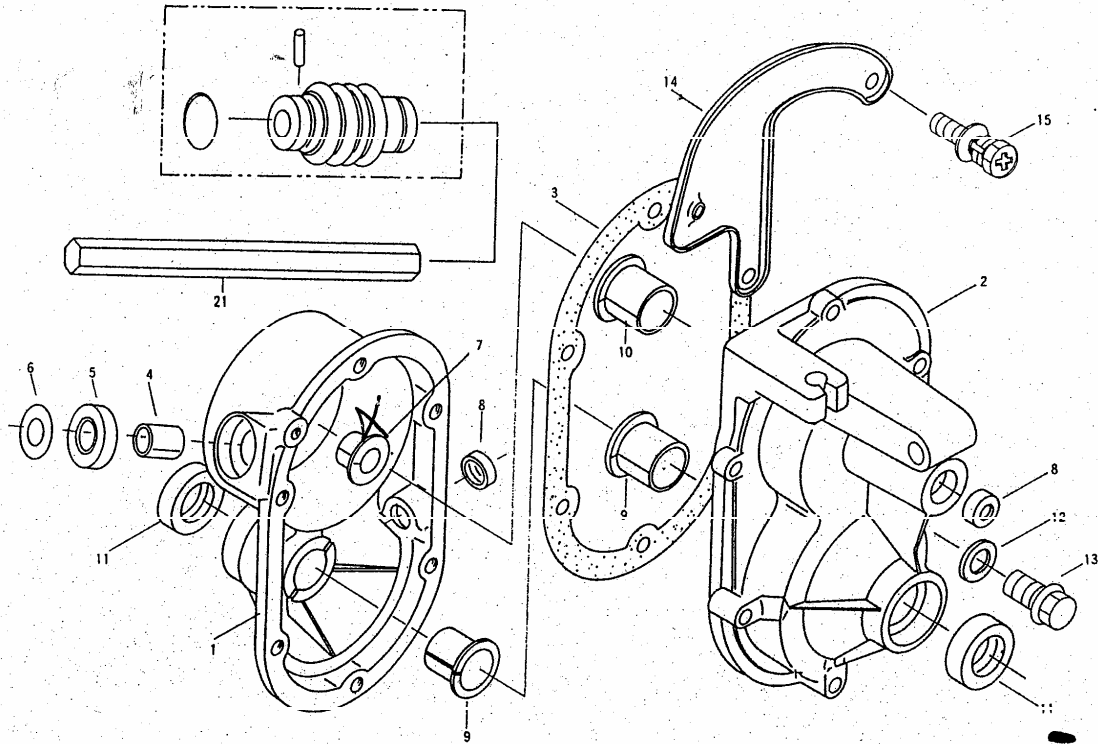


# GEAR CASE (INSIDE, OUTSIDE)



NO.	Parts NO.	Parts Name	480				530		
			P	A	B	BS	A	B	BS
1	80-1020-126-00	Thrust Washer $\phi 10$							
2	80-1020-116-01	Pinion Bevel	2	2	2	2	2	2	
3	80-1020-129-00	Thrust Washer $\phi 12$	1	1	1	1	1	1	
4	80-1020-117-01	Bevel Gear	1	1	1	1	1	1	
5	80-1020-119-01	Clutch for driving	1	1	1	1	1	1	
6	80-1020-118-00	Shift Shaft	1	1	1	1	1	1	
7	80-1020-128-00	Thrust Washer $\phi 16$	1	1	1	1	1	1	
8	80-1020-123-00	Gear (Low)	2	2	2	2	2	2	
9	80-1020-121-00	Gear (High)	1	1	1	1	1	1	
10	80-1020-161-00	Shift Spring	1	1	1	1	1	1	
11	80-1020-108-00	Change Guide	1	1	1	1	1	1	
12	80-1020-107-00	Change Rod	1	1	1	1	1	1	
13	80-1020-156-00	Thrust Washer $\phi 15$	1	1	1	1	1	1	
14	80-1020-148-00	Axle Gear	2	2	2	2	2	2	
15	80-1020-146-00	Axle	1	1	1	1	1	1	
16	80-1010-461-00	Axle (P)	1	1	1	1	1	1	
16	S665025000	Spring Pin $\phi 5 \times 25$							
17	S67502500	Pin $\phi 5 \times 25$		1	1	1	1	1	
18	80-1020-113-00	Clutch Fork	2	2	2	2	2	2	
19	80-1020-153-01	Clutch Arm	1	1	1	1	1	1	
20	S11060121D	Bolt 8 T M6 $\times 12$	1	1	1	1	1	1	
21	80-1020-106-00	Shift Arm	1	1	1	1	1	1	
22	80-1020-193-01	Change Arm	1	1	1	1	1	1	
23	S22060250D	Bolt And P.W. S.W ASSY M6 $\times 25$	1	1	1	1	1	1	
24	S32060000D	Square Nut M6	1	1	1	1	1	1	

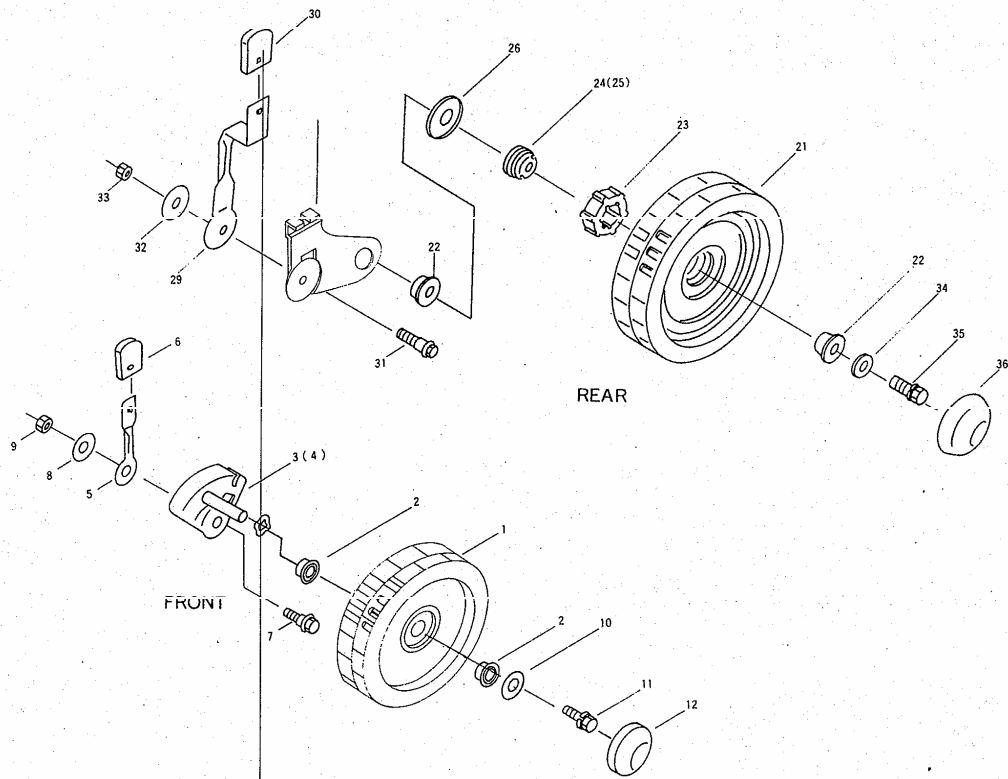
# EAR CASE



No.	Parts No.	Parts Name	480				530		
			P	A	B	BS	A	B	BS
1-15									
1-24	80-1020-100-00	Gear Case Assembly		1	1	1	1	1	1
1	80-1020-101-00	Gear Case (Inside)		1	1	1	1	1	1
2	80-1020-103-00	Gear Case (Outside)		1	1	1	1	1	1
3	80-1020-105-00	Packing		1	1	1	1	1	1
4	S771015000	Metal BDD1015		1	1	1	1	1	1
5	S801525070	Oil Seal UE15257		1	1	1	1	1	1
6	80-1210-137-00	Washer		1	1	1	1	1	1
7	S771210200	Metal MB1210-20FDV		1	1	1	1	1	1
8	S800814040	Oil Seal KE8144		2	2	2	2	2	2
9	S771515230	Metal MB1515-23FDV		2	2	2	2	2	2
10	S771615240	Metal MB1615-254FDV		1	1	1	1	1	1
11	S801525070	Oil Seal UE15257		2	2	2	2	2	2
12	S741000000	Seal Washer SW-10		1	1	1	1	1	1
13	S18100140D	Flange Bolt M10 x P1.25 x 14		1	1	1	1	1	1
14	80-1020-198-01	Lock Arm Bracket B		1	1	1	1	1	1
15	S22060250D	Bolt And P.W. S.W. ASSY M6 x 25		6	6	6	6	6	6
20	80-1020-515-00	Universal Joint NC-10-37CI		2	2	2	2	2	2
21	80-1020-521-00	Drive Shaft (M)		1	1	1	1	1	1
	80-1020-522-00	Drive Shaft (K)		1	1	1	1	1	1

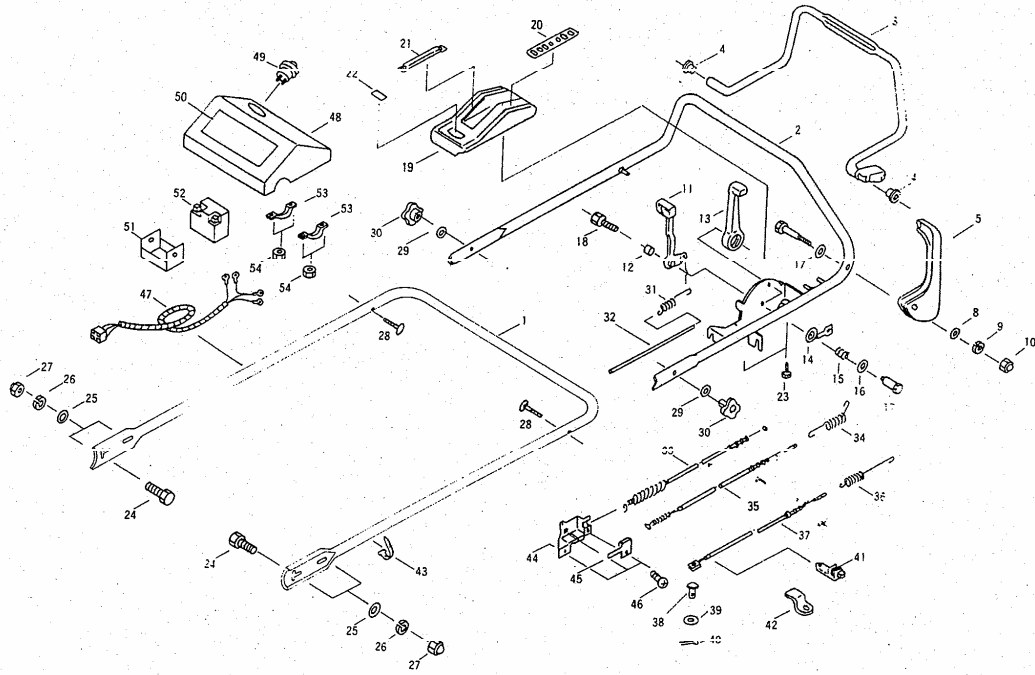


# D WHEEL



No.	Parts No.	Parts Name	480				530		
			P	A	B	BS	A	B	BS
<b>FRONT</b>									
1~2	80-1020-421-00	Front Wheel Assembly	2	2	2	2	2	2	2
1	80-1020-407-00	Front Wheel	2	2	2	2	2	2	2
2	S701535000	Bearing ND-02S	4	4	4	4	4	4	4
3	80-1020-404-01	Front Wheel Arm (Left)	1	1	1	1	1	1	1
4	80-1020-405-01	Front Wheel Arm (Right)	1	1	1	1	1	1	1
5	80-1020-424-01	Front Wheel Arm Stopper	2	2	2	2	2	2	2
6	80-1020-425-01	Grip	2	2	2	2	2	2	2
7	80-1020-406-00	Arm Bolt	2	2	2	2	2	2	2
8	80-1020-435-00	Washer $\phi 8 \times 40$	2	2	2	2	2	2	2
9	S48080000	U-Nut M8	2	2	2	2	2	2	2
10	80-1020-434-00	Washer $\phi 8 \times 30$	2	2	2	2	2	2	2
11	S160802000	Bolt And S.W. ASSY M8 x 20	2	2	2	2	2	2	2
12	80-1020-441-00	Wheel Cap	2	2	2	2	2	2	2
<b>REAR</b>									
21~23	80-1020-422-00	Rear Wheel Assembly	2	2	2	2	2	2	2
1~2	80-1020-421-00	Front Wheel Assembly	2						
21	80-1020-408-00	Rear Wheel	2	2	2	2	2	2	2
22	S701535000	Bearing ND-02S	2	2	2	2	2	2	2
23	80-1020-406-00	Clutch Guide	2	2	2	2	2	2	2
24	80-1020-458-00	Ratchet Assembly (Left)	1	1	1	1	1	1	1
25	80-1020-459-00	Ratchet Assembly (Right)	1	1	1	1	1	1	1
26	80-1020-433-00	Cone'd Disc Spring	2	2	2	2	2	2	2
27	80-1020-414-01	Rear Wheel Arm (Left)	1	1	1	1	1	1	1
28	80-1020-415-01	Rear Wheel Arm (Right)	1	1	1	1	1	1	1
29	80-1020-425-01	Rear Wheel Arm Stopper	2	2	2	2	2	2	2
30	80-1020-426-01	Grip	2	2	2	2	2	2	2
31	80-1020-406-00	Arm Bolt	2	2	2	2	2	2	2
32	80-1020-435-00	Washer $\phi 8 \times 40$	2	2	2	2	2	2	2
33	S48080000	U-Nut M8	2	2	2	2	2	2	2
34	80-1020-434-00	Washer $\phi 8 \times 30$	2	2	2	2	2	2	2
35	S160802000	Bolt And S.W. ASSY M8 x 20	2	2	2	2	2	2	2
36	80-1020-441-00	Wheel Cap	2	2	2	2	2	2	2

# E HANDLE. WIRE



80-1020-241-00

No.	Parts No.	Parts Name	480				530		
			P	A	B	BS	A	B	BS
1	80-1020-201-01	Lower Handle							
2	80-1020-222-00	Upper Handle (A)	1	1	1	1	1	1	1
3	80-1020-221-01	Upper Handle (B)	1	1	1	1	1	1	1
4	80-1020-241-01	Lever for Driving	1	1	1	1	1	1	1
5	80-1020-243-00	Snare	1	1	1	1	1	1	1
6	80-1020-251-01	Blade Lever	2	2	2	2	2	2	2
7	80-1020-253-00	Blade Lever Shaft	1	1	1	1	1	1	1
8	S500600000	Washer #8	1	1	1	1	1	1	1
9	S580600000	Spring Washer #6	1	1	1	1	1	1	1
10	S410600000	Cap Nut M6	1	1	1	1	1	1	1
11	80-1020-250-00	Change Lever	1	1	1	1	1	1	1
12	80-1020-250-00	Inner Color	1	1	1	1	1	1	1
13	80-1020-251-00	Throttle Lever	1	1	1	1	1	1	1
14	80-1020-251-00	Washer	1	1	1	1	1	1	1
15	80-1020-253-00	Lever Shaft Spring	1	1	1	1	1	1	1
16	S501221250	Washer #13x21	1	1	1	1	1	1	1
17	80-1020-252-00	Lever Shaft	1	1	1	1	1	1	1
Bolt #8x16 M6x16									
18	S170801600	Bolt #8x16 M6x16	1	1	1	1	1	1	1
19	80-1020-251-00	Change Lever	1	1	1	1	1	1	1
20	80-1020-251-00	Throttle Label	1	1	1	1	1	1	1
21	80-1020-251-00	Change Label	1	1	1	1	1	1	1
22	80-1020-253-00	Label (Small)	1	1	1	1	1	1	1
23	S280501200	Label (Small)	1	1	1	1	1	1	1
24	80-1020-208-00	Lower Handle Bolt	2	2	2	2	2	2	2
25	S110802510	Bolt #8 M8x25	2	2	2	2	2	2	2
26	S500800000	Washer #8	4	4	4	4	4	4	4
27	S410800000	Spring Washer #8	4	4	4	4	4	4	4
28	80-1020-227-00	Handle Bolt (B)	4	4	4	4	4	4	4
29	S500800000	Washer #8	2	2	2	2	2	2	2
30	80-1020-228-01	Cap Nut M8	2	2	2	2	2	2	2
31	80-1020-257-00	Change Spring	2	2	2	2	2	2	2
32	80-1020-257-00	Change Wire	1	1	1	1	1	1	1
33	80-1020-951-00	Throttle Wire (M)	1	1	1	1	1	1	1
34	80-1020-952-00	Throttle Wire (K)	1	1	1	1	1	1	1
35	80-1020-953-00	Throttle Wire (M11)	1	1	1	1	1	1	1
36	80-1020-954-00	Clutch Spring	1	1	1	1	1	1	1
37	80-1020-955-01	Clutch Wire	1	1	1	1	1	1	1
38	80-1020-956-01	Blade Clutch Spring	1	1	1	1	1	1	1
39	80-1020-954-00	Blade Wire	1	1	1	1	1	1	1
40	S630601650	Pin #6x16	1	1	1	1	1	1	1
41	S500600000	Washer #6	1	1	1	1	1	1	1
42	S602015000	Split Pin #2x15	1	1	1	1	1	1	1
43	80-1020-717-00	Blade Wire Setting	1	1	1	1	1	1	1
44	80-1010-717-00	Blade Wire Setting	1	1	1	1	1	1	1
45	80-1210-958-00	Wire Band	2	2	2	2	2	2	2
46	80-1020-511-00	Throttle Wire Setting	1	1	1	1	1	1	1
47	80-1020-511-00	Throttle Wire Plate	1	1	1	1	1	1	1
48	S250501200	Screw M5x12	3	3	3	3	3	3	3
49	80-1020-971-00	Wire Assembly	3	3	3	3	3	3	3
50	80-1020-251-00	Control Box	1	1	1	1	1	1	1
51	80-1020-972-00	Switch (B17590-00-00)	1	1	1	1	1	1	1
52	80-1020-972-00	Label (Middle)	1	1	1	1	1	1	1
53	80-1020-972-00	Battery Holder	1	1	1	1	1	1	1
54	80-1020-975-00	Battery (FT4L-12B)	1	1	1	1	1	1	1
55	80-1020-550-00	Cramp #22	1	1	1	1	1	1	1
56	S480600000	F-Nut M6	1	1	1	1	1	1	1

