

GR531C PRO (2Action) PARTS

Fig.1 Gear Case

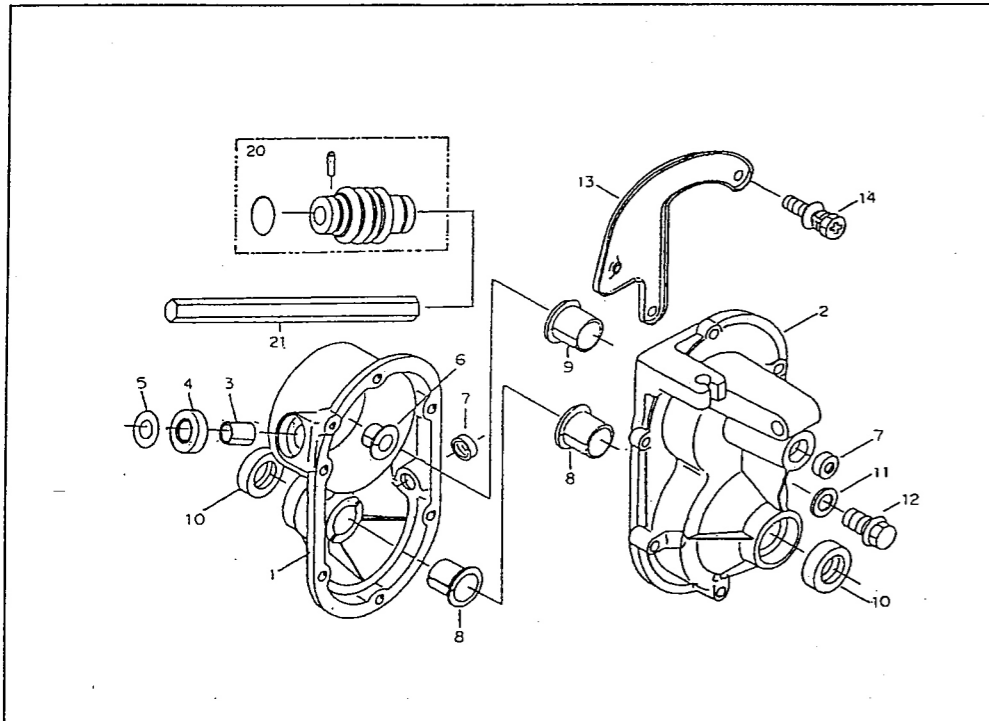


Fig.3 Safety Cover

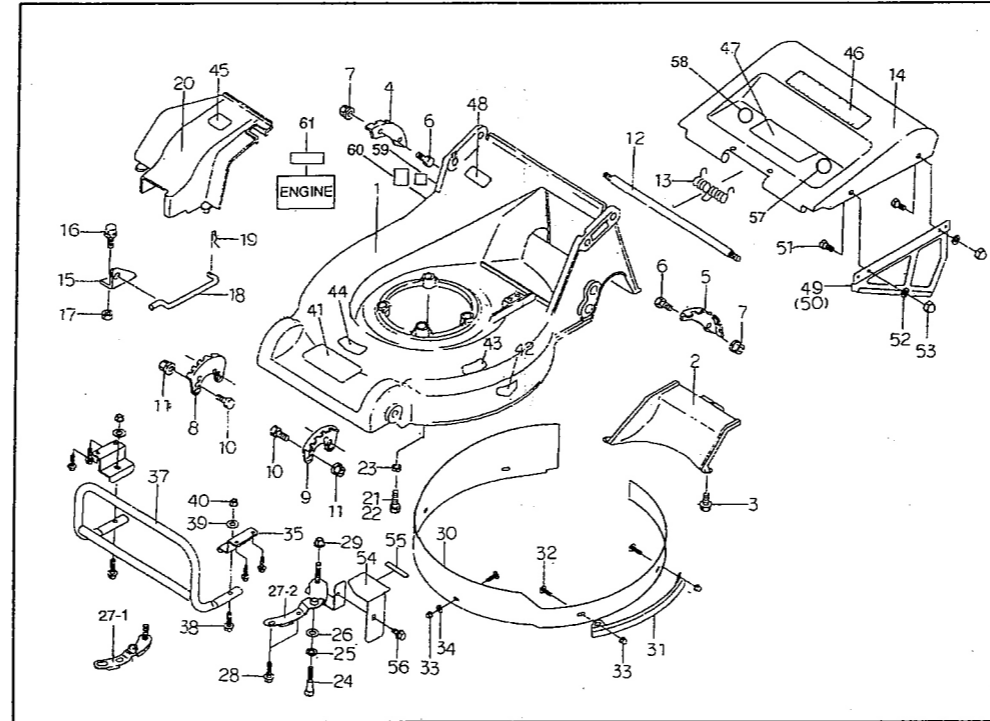


Fig.5 Hndle

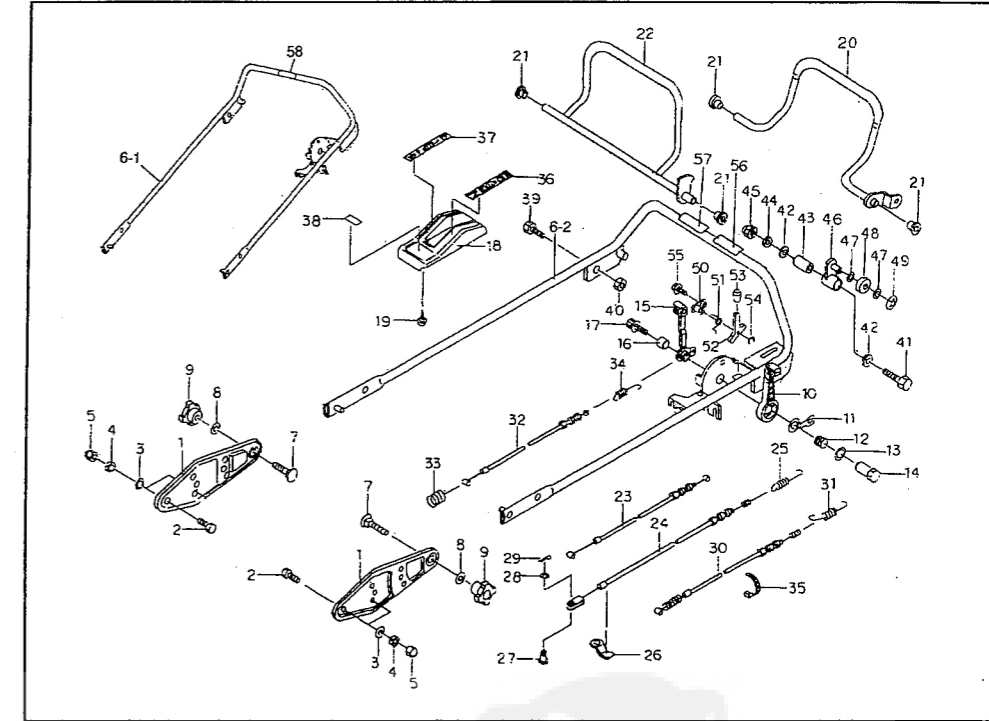


Fig.2 Gear Case(Inside,Outside)

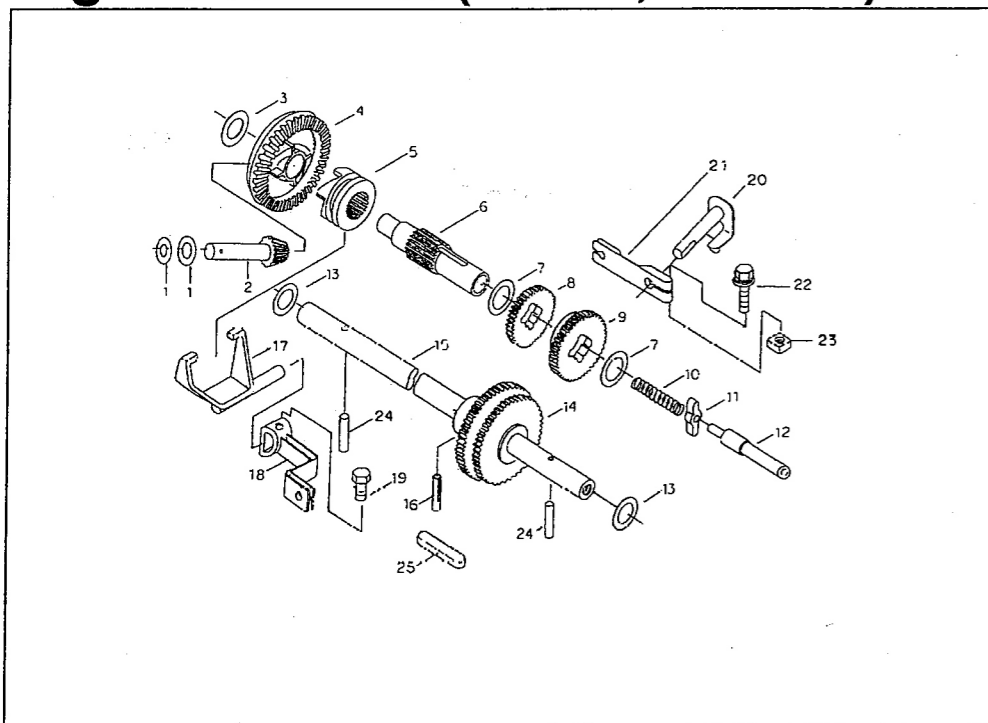


Fig.4 Wheel

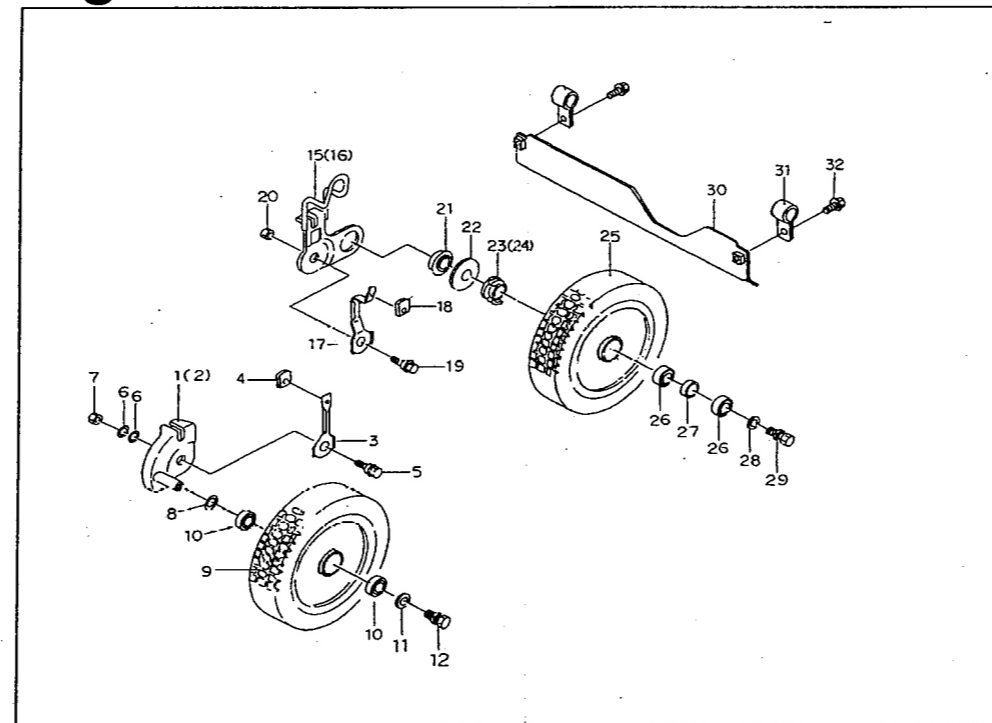


Fig.6 Blade and Bag

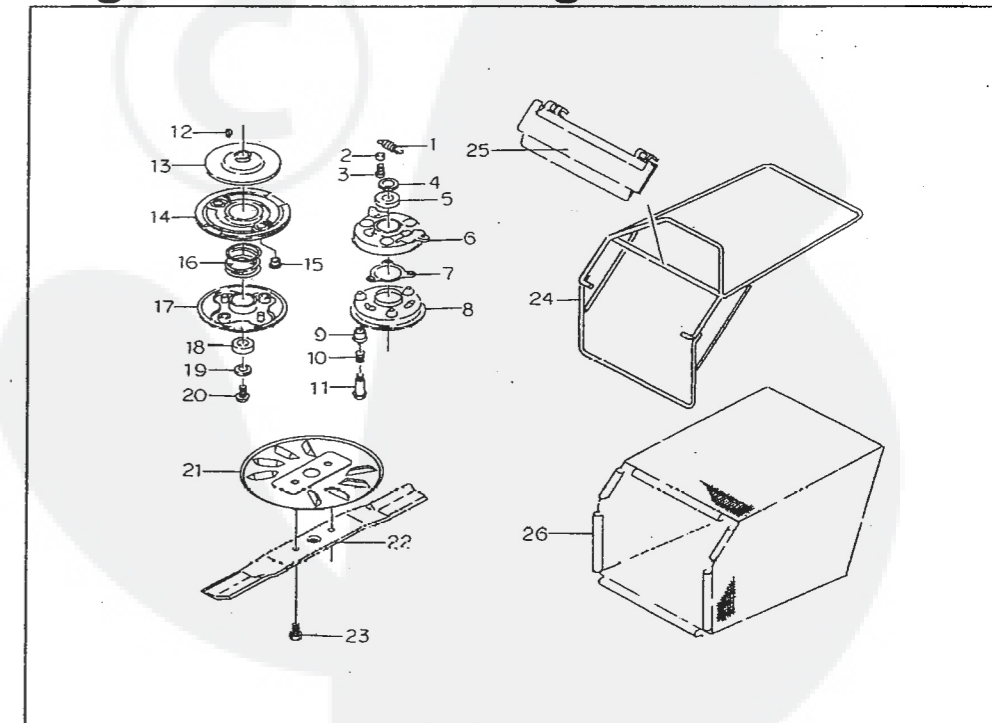


Fig.1 Gear Case

Ref.	Parts No.	Parts Name	Quantity	Quantity	Remarks
			GR531C PRO	GR531C PRO	
			GXV160	GXV160	
	80-1020-100-00	Gear Case Assy	1	1	Note 1 *5)
	0230-00000	Gear Case Assy	1	1	*4)
1	80-1020-101-00	Gear Case (Inside)	1	1	
2	80-1020-103-00	Gear Case (Outside)	1	1	
3	89-3512-010150	DBB Bush 10.15	1	1	
4	89-5121-102007	Oil Seal UE 10207	1	1	
5	83-1210-352-00	Thrust Washer 10*22*1.0	1	1	
6	89-3511-012100	DU Bush 12*10*20F	1	1	
7	89-5131-081404	Oil Seal KE8.14.4	2	2	
8	89-3511-015150	DU Bush 15*15*23F	2	2	
9	89-3511-016150	DU Bush 16*15*24F	1	1	
10	89-5121-152507	Oil Seal UE 15.25.7	2	2	
11	83-1020-349-00	Packing 10.5*18*1.6	1	1	
12	89-1254-100143	Flange Mini Bolt M10*1.25*14	1	1	
13	80-1020-198-10	Lock Arm Bracket B	1	1	
14	89-1144-060223	Hexagonal Bolt(PWSW) M6*22	6	6	
20	80-1020-515-00	Universal Joint NC-10-37C1	2	2	
21	80-1020-526-00	Drive Shaft H 136L	1	1	

Note 1: Transmission ASSY consists from parts 1 to 20(this page) and 1 to 24(next page).
 *1) Interchangeable
 *2) Serial Number : ~ VG02M00927
 *3) Serial Number : VG03C00006~
 *4) Serial Number : VG03G00476~
 *5) Serial Number : ~ VG03F00415
 *6) Serial Number : VG03L00916~
 *7) Serial Number : ~ VG03G00500

Fig 2 Gear Case (Inside, Outside)

1	83-1020-351-00	Thrust Washer 10	2	2	
2,4	80-1020-115-10	Pinion Bevel&Bevel Gear Assy	1	1	
2	80-1020-116-10	Pinion Bevel	1	1	
3	83-1020-355-00	Thrust Washer 12	1	1	
4	80-1020-117-10	Bevel Gear 53-tooth	1	1	
5	80-1020-119-10	Clutch for Driving	1	1	
6	80-1020-118-20	Main Shaft	1	1	
7	83-1020-363-00	Thrust Washer 16	2	2	
8,9	80-1020-125-10	Gear Assy (Low and High)	1	1	
8	80-1020-123-10	Gear (Low)	1	1	
9	80-1020-121-10	Gear (High)	1	1	
10	80-1020-161-00	Shaft Spring	1	1	
11	80-1020-108-00	Change Guide	1	1	
12	80-1020-107-00	Change Rod	1	1	
13	83-1020-361-00	Thrust Washer 15	2	2	
14	80-1020-148-30	Axle Gear	1	1	*5)
	0230-00300	Axle Gear	1	1	*4)
15	80-1020-146-00	Axle	1	1	*5)
	0230-00200	Axle	1	1	*4)
16	83-1020-157-00	Spring Pin 5*25	1	1	*5)
17	80-1020-113-00	Clutch Fork	1	1	
18	80-1020-153-10	Clutch Arm	1	1	
19	89-1113-060123	Bolt 8T M6x12	1	1	
20	80-1020-106-00	Shaft Arm	1	1	
21	80-1020-193-10	Change Arm	1	1	
22	89-1144-060253	Bolt & PW SW Assy M6*25	1	1	
23	83-1020-198-00	Square Nut M6	1	1	
24	89-2142-050250	Pin 5*25	2	2	
25	89-2150-050330	Key 5*33 (Round)	1	1	*4)

Fig 3 Safety Cover

1	0230-20100	Cover Pro (Body) 531	1	1	
2	80-1022-714-00	Guide 531	1	1	
3	83-1020-148-00	Tapping Bolt M6*14	3	3	
4	0230-20500	Rear Wheel Adjusting Plate(R)	1	1	
5	0230-20400	Rear Wheel Adjusting Plate(L)	1	1	
6	89-1113-060143	Hexagonal Bolt(8T) M6*14	4	4	
7	89-1541-060003	Hexagonal Nut(SW) M6	4	4	
8	0230-20300	Front Wheel Adjusting Plate(R)	1	1	
9	0230-20200	Front Wheel Adjusting Plate(L)	1	1	
10	89-1113-060143	Hexagonal Bolt(8T) M6*14	4	4	
11	89-1541-060003	Hexagonal Nut(SW) M6	4	4	
12	80-1020-207-10	Rear Cover Shaft	1	1	
13	80-1020-753-00	Rear Cover Spring	1	1	
14	80-1022-751-00	Rear Cover	1	1	
15	80-1020-705-30	Lock Arm Bracket A	1	1	
16	89-1132-080253	Bolt & SW Assy M8*25	2	2	
17	89-1511-080043	Nut M8	2	2	
18	80-1020-707-20	Lock Arm	1	1	
19	89-2131-080002	Snap Pin 8	1	1	
20	80-1022-733-00	Gear Case Cover(H)	1	1	
21	83-1020-116-00	Bolt 5/16-24*45UNF (H)	2	2	
22	83-1022-116-00	Bolt 5/16-24*38UNF (H)	1	1	
23	89-1750-080003	Spring Washer 8 (H)	2	2	
24	80-1010-789-00	Engine Setting Bolt (H)	1	1	
25	89-1750-100003	Spring Washer 10(H)	1	1	
26	89-1711-100003	Washer 10(H)	1	1	
27-1	80-1020-721-00	HONDA Engine Stay (H)	1	1	*2)
27-2	0230-21100	HONDA Engine Stay CMP (H)	1	1	*1) *3)

Fig.3 Safety Cover

Ref.	Parts No.	Parts Name	Quantity	Quantity	Remarks
			GR531C PRO	GR531C PRO	
			GXV160	GXV160	
28	83-1020-148-00	Tapping Bolt M6*14(H)	2	2	
29	83-1310-191-00	Nut M8(H)	1	1	
30	0230-20600	Inside Guard CMP	1	1	
31	0230-20700	Side Guard	2	2	
32	89-1390-060142	Welded Bolt M6*14	5	5	
33	83-1575-189-00	Flange Cap Nut M6	5	5	
34	89-1711-060002	Flat Washer 6	1	1	
35	0230-20900	Front Bumper Setting Plate	2	2	
36	83-1020-148-00	Tapping Bolt M6*14	4	4	
37	0230-20800	Front Bumper CMP	1	1	
38	89-1213-080252	Mini Hexagonal Bolt (8T) M8*25	2	2	
39	89-1712-080002	Washer 8	2	2	
40	89-1543-080002	Mini Hexagonal Nut (SW) M8	2	2	
41	80-1020-902-00	Label (Large)	1	1	
42	80-1020-926-00	Danger Label	2	2	
43	80-1020-907-00	Step Label	1	1	
	80-1488-926-10	Attention Mark for Blade		1	*3)
44	80-1020-928-00	Notice Label (Plug)	1	1	
45	80-1022-909-00	Notice Label (Cover)	1	1	
46	80-1020-929-00	Notice Label (Cover)	1	1	
47	80-1484-A47-00	Label, Caution	1	1	*2)
	0223-76100	Label, Caution		1	*1) *3)
48	80-1488-926-00	Attention Mark for Blade (13062)	1	1	*2)
	80-1488-926-10	Attention Mark for Blade		1	*1) *3)
49	80-1020-755-20	Side Plate(Left)	1	1	
50	80-1020-754-20	Side Plate(Right)	1	1	
51	89-1111-060102	Hexagonal Bolt M6*10	4	4	
52	89-1750-060003	Spring Washer 6	4	4	
53	89-1571-060043	Cap Nut M6	4	4	
54	0230-60100	Shaft Cover	1	1	*3)
55	0230-70800	Rubber L=50	1	1	*3)
56	89-1139-060163	Hexagonal Bolt (PWSW) M6*16	1	1	*3)
57	0223-72900	Attention Mark for Slope	1	1	*3)
58	0215-83200	Label, Protection Equipment	1	1	*3)
59	80-1010-933-00	Label, CE	1	1	
60	80-1020-932-00	Label, Noise 100db	1	1	
61	83-1415-909-00	Sticker for Engine (Z18-6)	1	1	*2)
	0223-76200	Sticker for Engine		1	*1) *3)

Fig 4 Wheel

1	80-1020-404-10	Front Wheel Arm (L)	1	1	
2	80-1020-405-10	Front Wheel Arm (R)	1	1	
3	80-1022-424-00	Front Wheel Arm Stopper	2	2	
4	80-1020-426-10	Adjuster Grip	2	2	
5	80-1020-406-10	Arm Bolt	2	2	
6	83-1020-395-00	Washer 8*12 t0.8	2	2	For Adjustment
7	89-1551-080003	U-Nut M8	2	2	
8	83-1020-361-00	Thrust Washer 15	2	2	
9-10	80-1020-481-00	Steel Front Wheel Assy	2	2	
9	80-1020-483-00	Steel Front Wheel	2	2	
10	89-3115-062024	Bearing 6202 2RS	4	4	
11	89-1713-080003	Washer 8	2	2	
12	89-1132-080203	Hexagonal Bolt (SW) M8*20	2	2	
15	80-1022-414-00	Rear Wheel Arm (Left)	1	1	
16	80-1022-415-00	Rear Wheel Arm (Right)	1	1	
17	80-1022-425-00	Rear Wheel Arm Stopper	2	2	
18	80-1020-426-10	Grip	2	2	
19	80-1020-406-10	Arm Bolt	2	2	
20	89-1551-080003	U-Nut M8	2	2	
21	83-1020-987-00	Bearing ND-0.2	2	2	
22	80-1020-433-00	Coned Disc Spring	2	2	
23	80-1020-458-00	Ratchet Assembly (Left)	1	1	
24	80-1020-459-00	Ratchet Assembly (Right)	1	1	
25-27	80-1020-482-00	Steel Rear Wheel Assy	2	2	
25	80-1020-484-00	Steel Rear Wheel	2	2	
26	89-3115-062024	Bearing 6202 2RS	4	4	
27	80-1020-486-00	Collar 25A*8L	2	2	
28	89-1713-080003	Washer 8	2	2	
29	89-1132-080203	Hexagonal Bolt (SW) M8*20	2	2	
30	80-1020-792-00	Flapper	1	1	
31	80-1020-793-10	Flapper Setting	2	2	
32	89-1133-060163	Bolt & PW SW Assy M6*16	2	2	

Fig 5 Handle

1	80-1022-201-00	Handle Setting	2	2	*7)
	0230-10600	Handle Setting		2	*6)
2	89-1113-080253	Bolt 8T M8*25	2	2	
3	89-1711-080003	Washer 8	4	4	
4	89-1750-080003	Spring Washer 8	4	4	
5	89-1571-080043	Cap Nut M8	4	4	
6-1	0230-10100	Handle D PRO	1	1	*2)
6-2	0230-10300	Handle C PRO	1	1	*3)
7	89-1412-080403	Bolt M8*40	2	2	
8	89-1711-080003	Washer 8	2	2	
9	80-1020-228-10	Knob Nut M8	2	2	

Fig.5 Handle

Ref.	Parts No.	Parts Name	Quantity	Quantity	Remarks
			GR531C PRO	GR531C PRO	
			GXV160	GXV160	
10	80-1020-265-00	Throttle Lever (H)	1	1	
11	80-1020-264-00	Washer	1	1	
12	80-1020-263-00	Lever Shaft Spring	1	1	
13	89-1711-120003	Washer 13*21	1	1	
14	80-1020-262-00	Lever Shaft	1	1	
15	80-1022-260-00	Change Lever	1	1	
16	80-1020-270-00	Inner Collar	1	1	
17	89-1133-080303	Bolt & PW SW Assy M8*30	1	1	
18	80-1020-231-00	Control Case	1	1	
19	89-1161-050123	Tapping Screw 5*12	2	2	
20	80-1022-242-00	Driving Lever	1	1	
21	80-1020-243-00	Driving Lever, Metal	4	4	
22	80-1022-252-00	Blade Lever	2	2	
23	83-1022-955-10	Throttle Wire (H)	1	1	*7)
	83-1020-955-00	Throttle Wire (H)		1	*6)
24	83-1024-945-00</				