

A. Fig 1

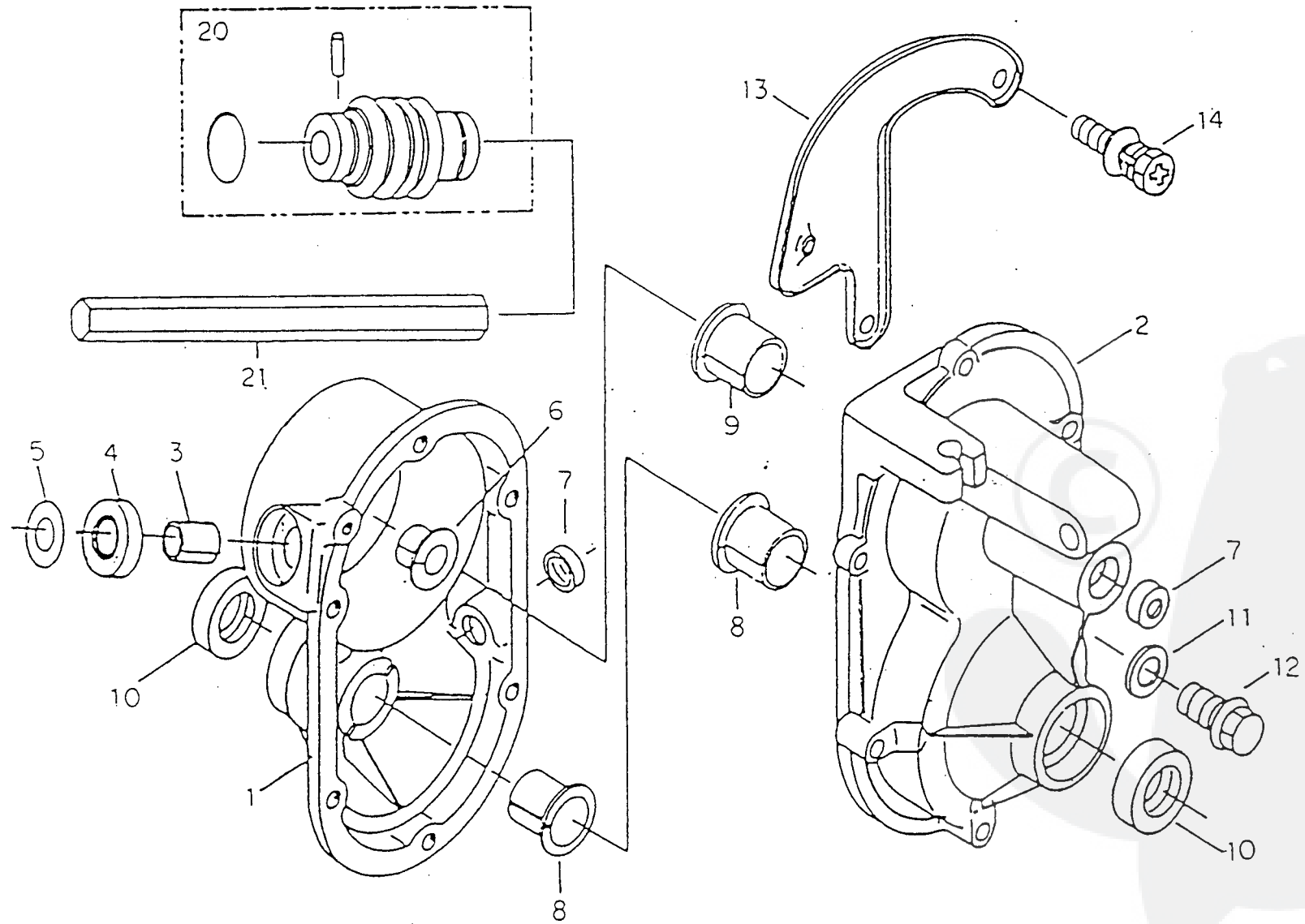
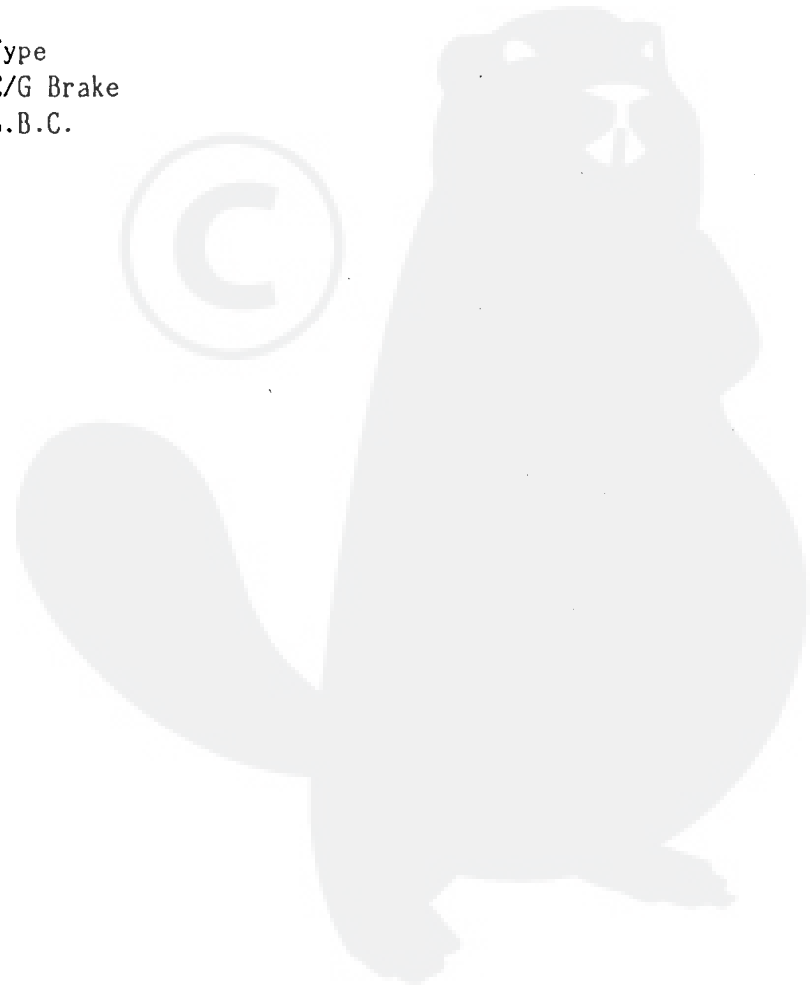
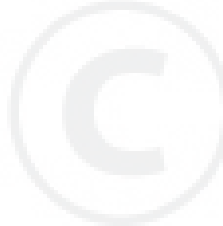


Fig 1. Gear Case

Ref.	Parts No.	Parts Name	Quantity							
			481			531		532		
			P	C	B	C	B	C	B	
	80-1020-100-00	Gear Case Assembly		1	1	1	1	1	1	1
1	80-1020-101-00	Gear Case (Inside)		1	1	1	1	1	1	1
2	80-1020-103-00	Gear Case (Outside)		1	1	1	1	1	1	1
3	89-3512-010150	Metal DBB 10.15		1	1	1	1	1	1	1
4	89-5121-102007	Oil Seal UE10.20.7		1	1	1	1	1	1	1
5	83-1210-352-00	Thrust Washer 10X22X1.0		1	1	1	1	1	1	1
6	89-3511-012100	Metal DU 12.10.20F		1	1	1	1	1	1	1
7	89-5131-081404	Oil Seal KE8.14.4		2	2	2	2	2	2	2
8	89-3511-015150	Metal DU 15.15.23F		2	2	2	2	2	2	2
9	89-3511-016150	Metal DU 16.15.24F		1	1	1	1	1	1	1
10	89-5121-152507	Oil Seal UE15.25.7		2	2	2	2	2	2	2
11	83-1020-349-00	Packing 10.5X18X1.6		1	1	1	1	1	1	1
12	89-1254-100143	Flange Bolt M10X1.25X14		1	1	1	1	1	1	1
13	80-1020-198-10	Lock Arm Bracket B		1	1	1	1	1	1	1
14	89-1144-060223	Bolt and PW SW Assy M6X22		6	6	6	6	6	6	6
20	80-1020-515-00	Universal Joint NC-10-37C1		2	2	2	2	2	2	2
21	80-1020-522-10	Drive Shaft (K) 97L		1	1	1	1	1	1	1
	80-1020-525-00	Drive Shaft (H) 119L		1	1	1	1	1	1	1
	80-1020-526-00	Drive Shaft (H) 133L		1	1	1	1	1	1	1

Remarks ; P Push Type
 C With E/G Brake
 B With B.B.C.



B. Fig 2

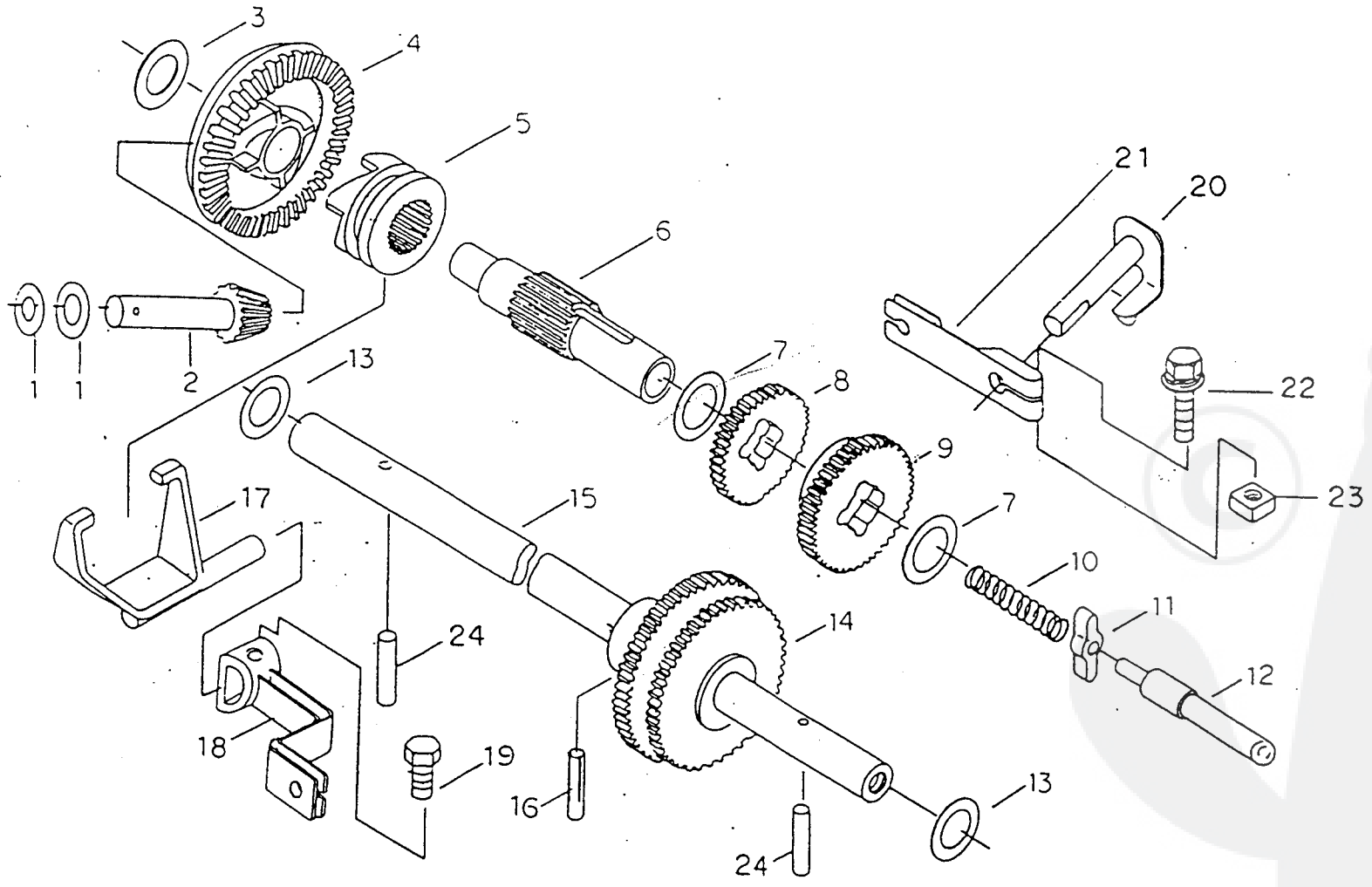


Fig 2. Gear Case (Inside, Outside)

Ref.	Parts No.	Parts Name	Quantity						
			481			531		532	
			P	C	B	C	B	C	B
1	83-1020-351-00	Thrust Washer 10X18X1		2	2	2	2	2	2
2,4	80-1020-115-10	Pinion Bevel & Bevel Gear Assy		1	1	1	1	1	1
2	80-1020-116-10	Pinion Bevel		1	1	1	1	1	1
3	83-1020-355-00	Thrust Washer 12X24X1		1	1	1	1	1	1
4	80-1020-117-10	Bevel Gear 53-tooth		1	1	1	1	1	1
5	80-1020-119-10	Clutch for Drive		1	1	1	1	1	1
6	80-1020-118-20	Main Shaft		1	1	1	1	1	1
7	83-1020-363-00	Thrust Washer 16X24X1		2	2	2	2	2	2
8-9	80-1020-125-10	Gear Assy (Low and High)		1	1	1	1	1	1
8	80-1020-123-10	Gear (Low)		1	1	1	1	1	1
9	80-1020-121-10	Gear (High)		1	1	1	1	1	1
10	80-1020-161-00	Shaft Spring		1	1	1	1	1	1
11	80-1020-108-00	Change Guide		1	1	1	1	1	1
12	83-1020-107-00	Change Shaft		1	1	1	1	1	1
13	83-1020-361-00	Thrust Washer 15X24X1		2	2	2	2	2	2
14	80-1020-148-30	Axle Gear		1	1	1	1	1	1
15	80-1020-146-00	Axle		1	1	1	1	1	1
	80-1011-461-00	Axle VP	1						
16	83-1020-157-00	Spring Pin 5X25		1	1	1	1	1	1
17	80-1020-113-00	Clutch Fork		1	1	1	1	1	1
18	80-1020-153-10	Clutch Arm		1	1	1	1	1	1
19	89-1113-060123	Bolt 8T M6X12		1	1	1	1	1	1
20	80-1020-106-00	Shaft Arm		1	1	1	1	1	1
21	80-1020-193-10	Change Arm		1	1	1	1	1	1
22	89-1144-060253	Bolt & PW SW Assy M6X25		1	1	1	1	1	1
23	83-1020-198-00	Square Nut M6		1	1	1	1	1	1
24	89-2142-050250	Spring Pin 5X25		2	2	2	2	2	2

C. Fig 3

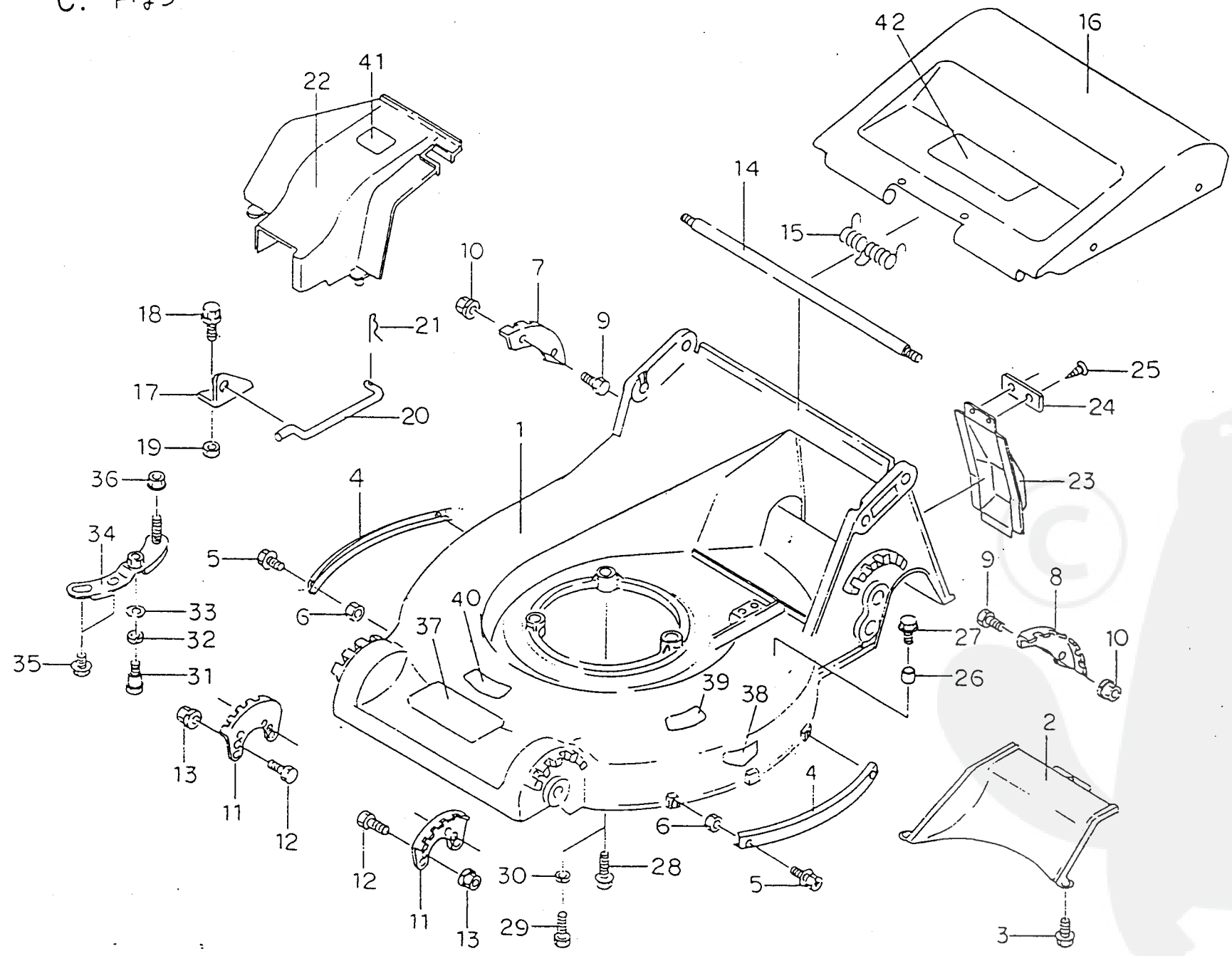


Fig 3. Safety Cover

Ref.	Parts No.	Parts Name	Quantity						
			481			531		532	
			P	C	B	C	B	C	B
1	80-1010-731-00	Cover (Body) 480	1	1	1				
	80-1022-731-00	Cover (Body) 531				1	1	1	1
2	80-1010-714-00	Guide 480	1	1	1				
	80-1022-714-00	Guide 531				1	1	1	1
3	83-1020-143-00	Tapping Bolt M8X18	3	3	3				
	83-1020-148-00	Tapping Bolt M6X14				3	3	3	3
4	80-1010-741-00	Under Guide 480	2	2	2				
5	89-1133-060163	Bolt & PW SW Assy M6X16	4	4	4				
6	89-1511-060043	Nut M6	4	4	4				
7	80-1022-748-00	Ajustment Plate for Rear Wheel(R)				1	1	1	1
8	80-1022-747-00	Ajustment Plate for Rear Wheel(L)				1	1		
9	89-1113-060143	Bolt 8T M6X14				4	4	2	2
10	89-1541-060003	Nut SW M6				4	4	2	2
11	80-1022-745-00	Ajustment Plate for Front Wheel				2	2		
12	89-1113-060143	Bolt 8T M6X14				4	4		
13	89-1541-060003	Nut SW M6				4	4		
14	80-1020-207-10	Rear Cover Shaft	1	1	1	1	1	1	1
15	80-1020-753-00	Rear Cover Spring	1	1	1	1	1	1	1
16	80-1022-751-00	Rear Cover	1	1	1	1	1	1	1
17	80-1020-705-30	Lock Arm Bracket A		1	1	1	1	1	1
18	89-1132-080253	Bolt SW M8X25		2	2	2	2	2	2
19	89-1511-080043	Nut M8		2	2	2	2	2	2
20	80-1020-707-20	Lock Arm		1	1	1	1	1	1
21	89-2131-080002	Snap Pin 8		1	1	1	1	1	1
22	80-1020-733-00	Front Cover Gear Case	1	1	1				
	80-1022-733-00	Gear Case Cover (H)				1	1	1	1
	80-1022-734-00	Gear Case Cover (K)				1	1	1	1
23	80-1020-735-00	Rear Cover Gear Case	1	1	1				
24	80-1020-736-00	Stabilizer for Rear Cover	1	1	1				
25	89-1162-050163	Tapping Screw 5X16	2	2	2				
26	80-1024-952-00	Spacer 6*10						1	1
27	83-1515-148-00	Tapping Bolt M6X22						1	1
28	89-1133-100503	Bolt & PW SW M10X50 (K)	3	3	3	3	3	3	3
29	83-1020-116-00	Bolt 5/16-24X45UNF (H)	2	2	2	2	2	2	2
30	89-1750-080003	Spring 8 (H)	2	2	2	2	2	2	2
31	80-1010-789-00	Engine Setting Bolt	1	1	1	1	1	1	1
32	89-1750-100003	Spring Washer 10 (H)	1	1	1	1	1	1	1
33	89-1711-100003	Spring 10 (H)	1	1		1		1	
34	80-1020-721-00	Honda Engine Setting Stay (H)	1	1	1	1	1	1	1
35	83-1020-148-00	Tapping Bolt M6X14	2	2	2	2	2	2	2
36	83-1310-191-00	Nut M8 (H)	1	1	1	1	1	1	1
37	80-1020-902-00	Lable	1	1	1	1	1	1	1
38	80-1020-926-00	Danger Lable	2	2	2				
	80-1020-927-00	Danger Lable				2	2	2	2
39	80-1020-907-00	Step Lable	1	1	1	1	1	1	1
40	80-1020-928-00	Notice Lable (Plug)	1	1	1	1	1	1	1
41	80-1022-909-00	Notice Lable (Cover)	1	1	1	1	1	1	1
42	80-1020-929-00	Notice Lable (Cover)	1	1	1	1	1	1	1

D. Fig 4-1

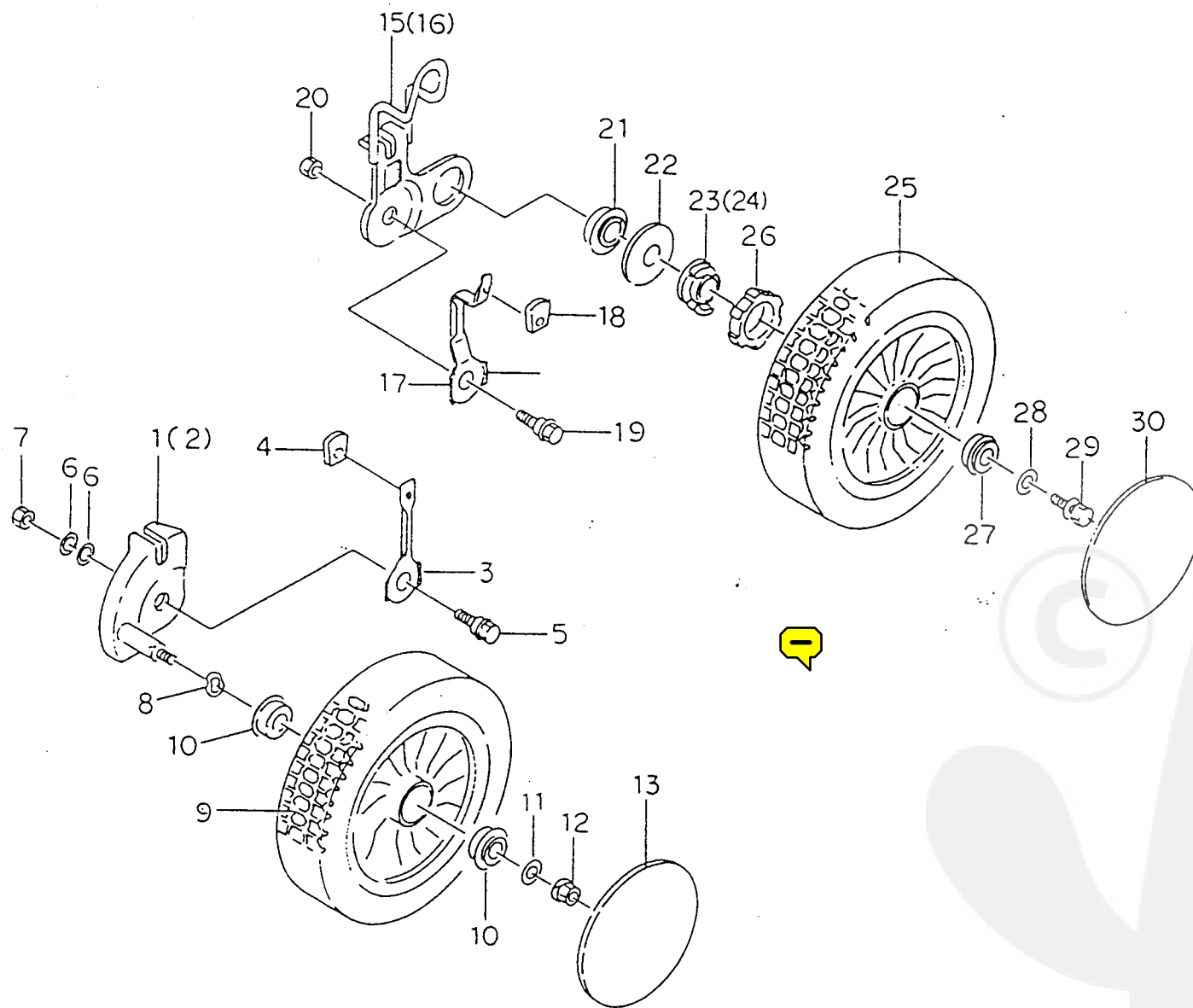


FIG. 4 WHEEL (GR481/GR531)

REF	PARTS NO.	PARTS NAME	QUANTITY			
			GR481		GR531	
			C	D	C	D
1	80-1021-404-10	FRONT WHEEL ARM (LEFT)	1	1	1	1
2	80-1021-405-10	FRONT WHEEL ARM (RIGHT)	1	1	1	1
3	80-1020-424-10	FRONT WHEEL ARM STOPPER	2	2		
	80-1022-424-00	FRONT WHEEL ARM STOPPER			2	2
4	80-1020-426-10	ADJUSTER GRIP	2	2	2	2
5	80-1020-406-10	ARM BOLT	2	2	2	2
6	83-1020-395-00	WASHER 8*12 t0.8				
7	89-1551-080003	U-NUT M8	2	2	2	2
8	83-1022-369-00	WASHER 12	2	2	2	2
9/10	80-1022-421-00	FRONT WHEEL ASSY	2	2	2	2
9	80-1022-407-00	FRONT WHEEL	2	2	2	2
10	80-1022-431-00	BEARING KL-4.12	4	4	4	4
11	89-1713-080003	WASHER 8	2	2	2	2
12	89-1541-080003	HEXAGONAL NUT (SW) M8	2	2	2	2
13	80-1022-441-00	WHEEL CAP	2	2	2	2
15	80-1020-414-20	REAR WHEEL ARM (LEFT)	1	1	1	1
	80-1022-414-00	REAR WHEEL ARM (LEFT)			1	1
16	80-1020-415-20	REAR WHEEL ARM (RIGHT)	1	1	1	1
	80-1022-415-00	REAR WHEEL ARM (RIGHT)			1	1
17	80-1022-425-00	REAR WHEEL ARM STOPPER	2	2	2	2
18	80-1020-426-10	GRIP	2	2	2	2
19	80-1020-406-10	ARM BOLT	2	2	2	2
20	89-1551-080003	U-NUT M8	2	2	2	2
21	83-1020-987-00	BEARING ND-0.2	2	2	2	2
22	80-1020-433-00	CONED DISC SPRING	2	2	2	2
23	80-1020-458-00	RATCHET ASSEMBLY (LEFT)	1	1	1	1
24	80-1020-459-00	RATCHET ASSEMBLY (RIGHT)	1	1	1	1
25/27	80-1022-422-00	REAR WHEEL ASSY	2	2	2	2
25	80-1022-408-00	REAR WHEEL	2	2	2	2
26	80-1020-409-00	CLUTCH GUIDE	2	2	2	2
27	80-1022-432-00	BEARING KL-4.15	2	2	2	2
28	89-1713-080003	WASHER 8	2	2	2	2
29	89-1132-080203	BOLT & SW ASSY M8*20	2	2	2	2
30	80-1022-441-00	WHEEL CAP	2	2	2	2

EXTRA						
GR 531 DBH55 RA						
	80-1020-483-00	METALLIC FRONT WHEEL				
	80-1020-484-00	METALLIC REAR WHEEL				

F. Fig-5

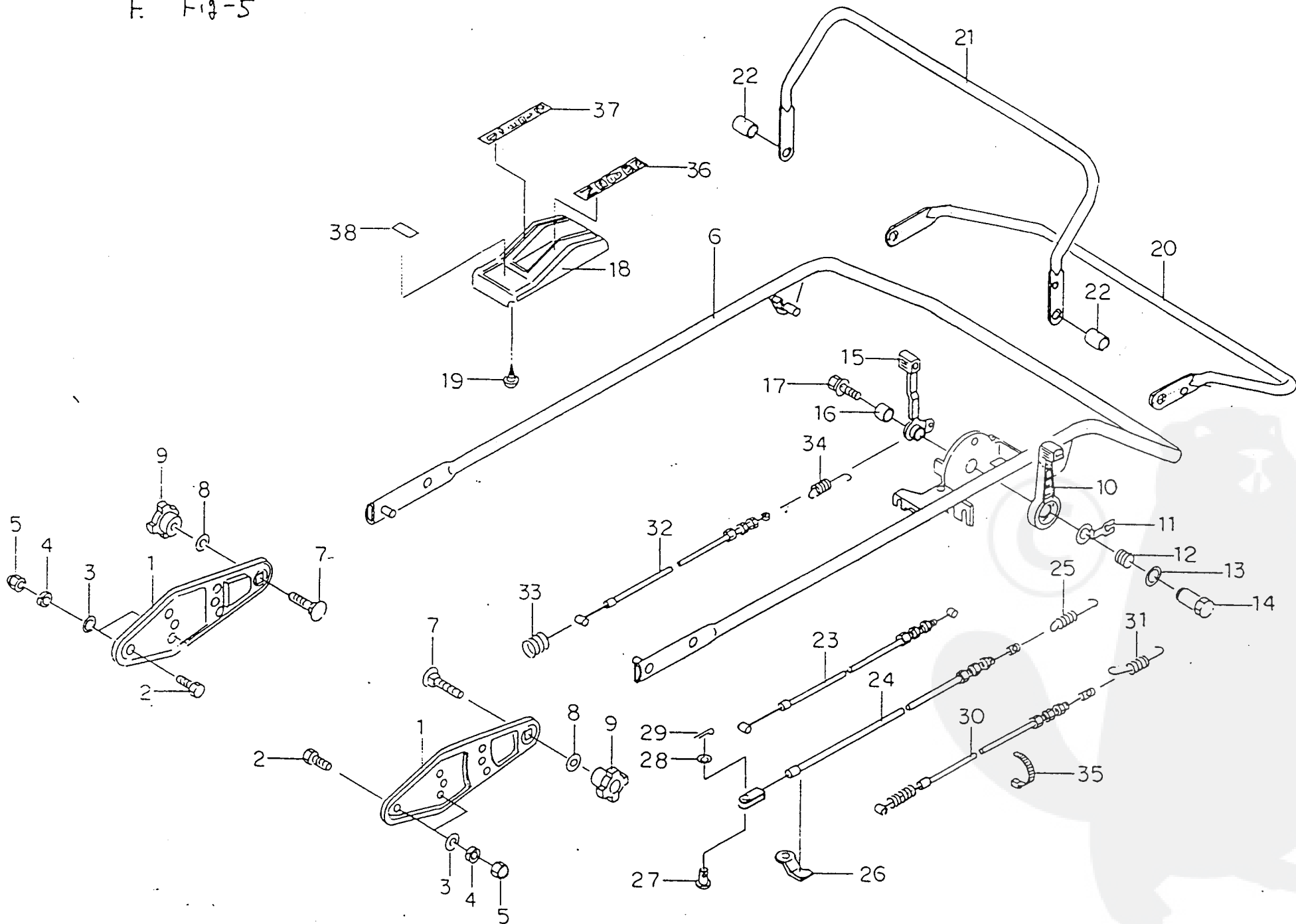
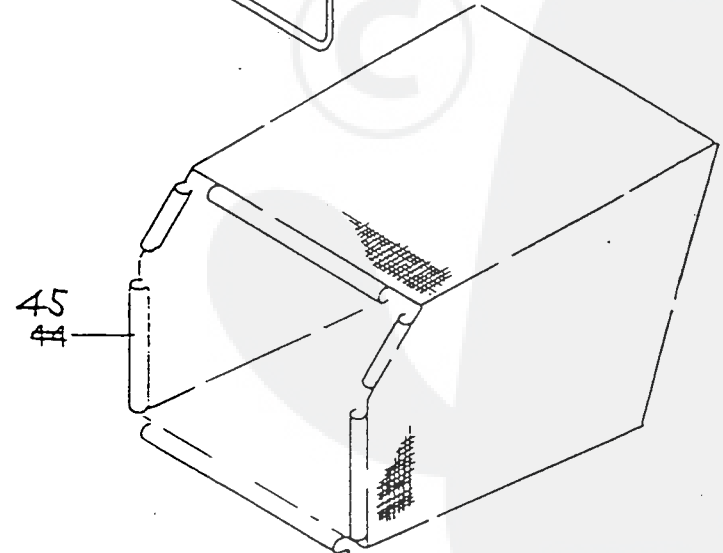
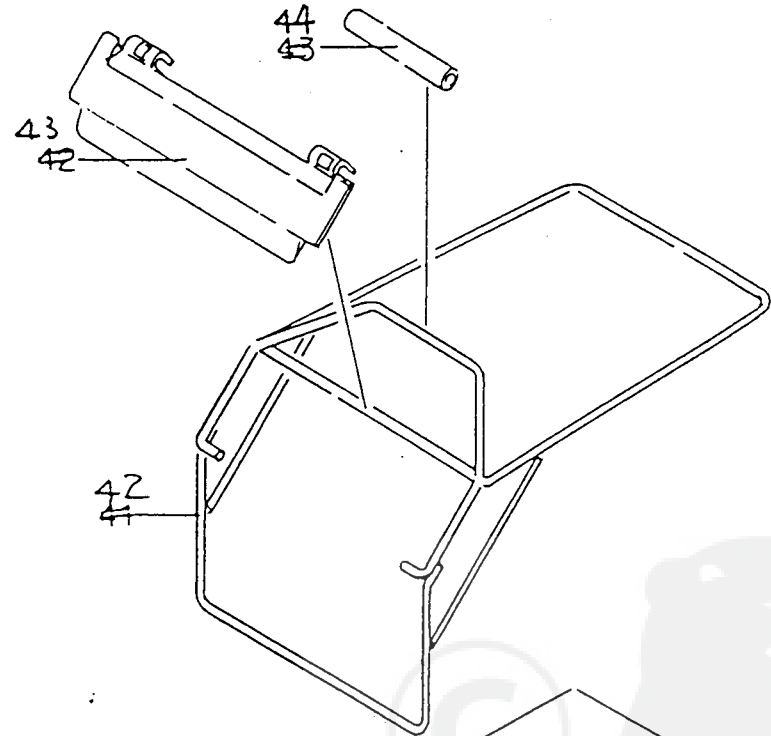
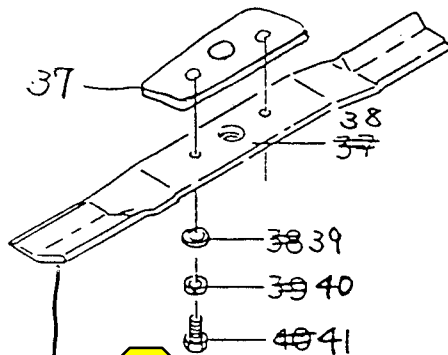
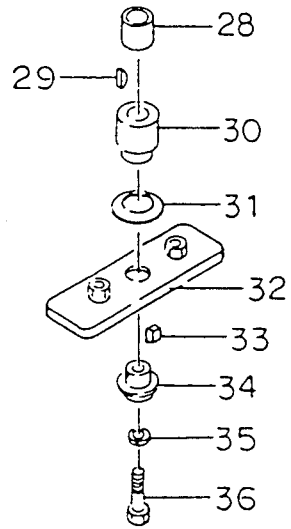
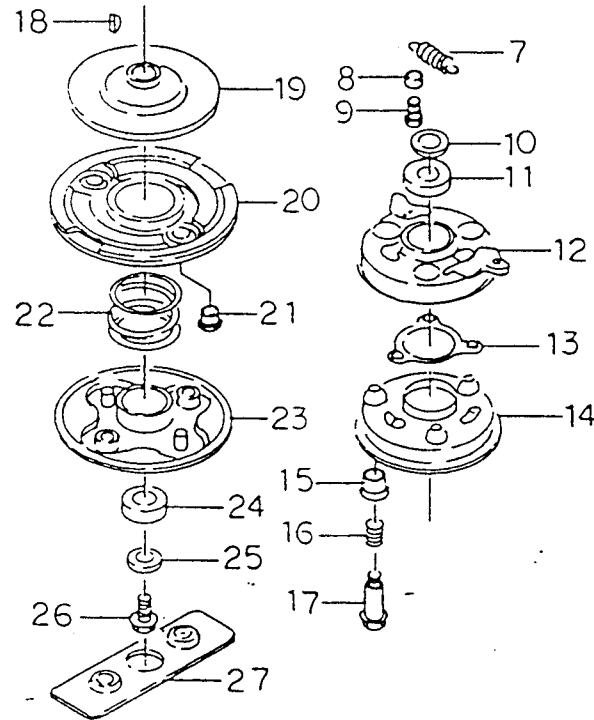
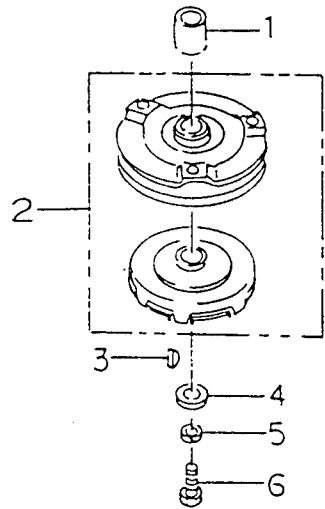


Fig. 5 Handle

Ref.	Parts No.	Parts Name	Quantity						
			481			531		532	
			P	C	B	C	B	C	B
1	80-1022-201-00	Setting Plate for Handle	2	2	2	2	2	2	2
2	89-1113-080253	Bolt 8T M8X25	2	2	2	2	2	2	2
3	89-1711-080003	Washer 8	4	4	4	4	4	4	4
4	89-1750-080003	Spring Washer 8	4	4	4	4	4	4	4
5	89-1571-080043	Cap Nut M8	4	4	4	4	4	4	4
6	80-1022-221-00	Handle B			1		1		1
	80-1022-224-00	Handle C	1	1		1		1	
7	89-1412-080403	Bolt M8X40	2	2	2	2	2	2	2
8	89-1711-080003	Washer 8	2	2	2	2	2	2	2
9	80-1020-228-10	Nob Nut M8	2	2	2	2	2	2	2
10	80-1020-261-00	Throttle Lever (K)	1	1	1	1	1	1	1
	80-1020-265-00	Throttle Lever (H) <i>gas</i>	1	1	1	1	1	1	1
11	80-1020-264-00	Control Washer	1	1	1	1	1	1	1
12	80-1020-263-00	Control Shaft Spring	1	1	1	1	1	1	1
13	89-1711-120003	Washer 12	1	1	1	1	1	1	1
14	80-1020-262-00	Control Shaft	1	1	1	1	1	1	1
15	80-1020-260-00	Change Lever		1	1	1	1	1	1
16	80-1020-270-00	Inner Collar		1	1	1	1	1	1
17	89-1133-080303	Bolt & PW SW M8X30		1	1	1	1	1	1
	89-1133-080163	Bolt & PW SW M8X16	1						
18	80-1020-231-00	Control Cover	1	1	1	1	1	1	1
19	89-1161-050123	Tapping Screw 5X12	2	2	2	2	2	2	2
20	80-1022-241-00	Drive Lever		1	1	1	1	1	1
21	80-1022-251-00	Blade E/G Lever		1	1	1	1	1	1
22	80-1022-951-00	Spacer 8X13		2	2	2	2	2	2
23	83-1022-952-00	Throttle Wire (K)	1	1	1	1	1	1	1
	83-1022-955-00	Throttle Wire (H) <i>gas</i>			1		1		
24	83-1022-945-00	Blade Wire		1	1	1	1	1	1
	83-1022-958-00	E/G Brake Wire (K) <i>from lame</i>		1		1		1	
25	80-1021-968-10	Blade Spring VB		1	1	1	1	1	1
26	80-1010-717-00	Blade Wire Setting			1		1		1
27	89-2181-060162	Pin 6X16			1		1		1
28	89-1711-060002	Washer 6			1		1		1
29	89-2120-200152	Split Pin 2X15			1		1		1
30	83-1022-932-00	Drive Wire <i>Throttle</i>		1	1	1	1	1	1
31	80-1020-966-10	Drive Clutch Spring		1	1	1	1	1	1
32	83-1022-936-00	Drive Change Wire <i>Wiper</i>		1	1	1	1	1	1
33	80-1020-969-00	Change Return Spring		1	1	1	1	1	1
34	80-1020-967-00	Drive Change Spring		1	1	1	1	1	1
35	83-1415-718-00	Wire Band	2	2	2	2	2	2	2
36	80-1020-911-00	Throttle Lable (K)	1	1	1	1	1	1	1
	80-1020-913-00	Throttle Lable (H)		1	1	1	1	1	1
37	80-1020-912-00	Change Lable		1	1	1	1	1	1
38	80-1020-903-00	Lable (Small)		1	1	1	1	1	1

G. Fig 6



SWIFFLANTE OR. 80-1020-821-10 Sour.

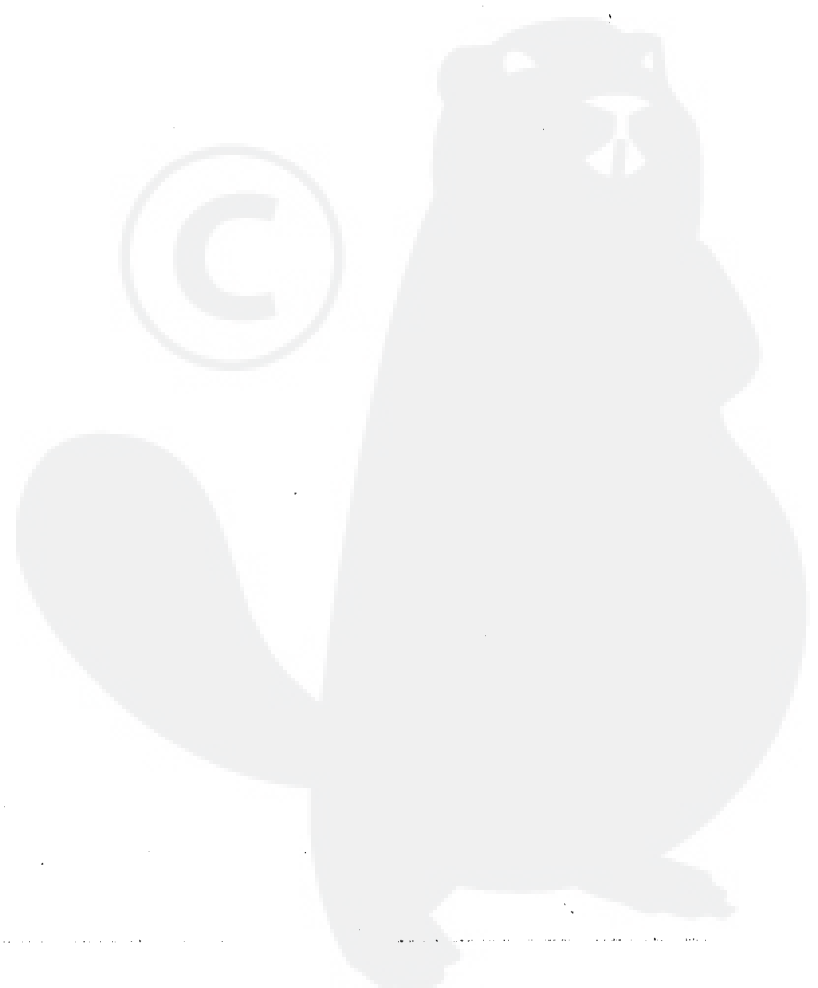
Fig 6 ブレード&収草バッグ

見出 番号	部品番号	部品名	個数						備考	
			481		531		532			
			P	C	B	C	B	C		B
1	80-1020-944-00	B.B.Cカー (K) 29.5L			1		1		1	FC150V
2	80-1020-943-00	B.B.C ASY (K)			1		1		1	FC150V
3	80-1020-892-00	半月キー 4*16 (K)			1		1		1	FC150V
4	83-1610-321-00	座金 10*38*4.5 (K)			1		1		1	FC150V
5	89-1750-100003	ハネ座金 10 (K)			1		1		1	FC150V
6	83-1020-118-00	六角ボルト 3/8-24*32UNF (K)			1		1		1	FC150V
7	80-1020-871-00	クラッチリテーナハネ (H)			2		2		2	GXV120・GXV160
8	80-1020-872-00	カー (H)			2		2		2	GXV120・GXV160
9	83-1020-148-00	六角ナット M6*14 (H)			2		2		2	GXV120・GXV160
10	80-1020-874-00	スラストワッシャー 22*32*3 (H)			1		1		1	GXV120・GXV160
11	80-1020-875-00	ホールヘアリング (H)			1		1		1	GXV120・GXV160
12	80-1020-876-00	コントロールプレート (H) ヘアリング付			1		1		1	GXV120・GXV160
13	80-1020-877-00	ホールリテーナ (H)			1		1		1	GXV120・GXV160
14	80-1020-878-00	ブレーキディスク (H) ブラッシュ付			1		1		1	GXV120・GXV160
15	80-1020-879-00	ブラッシュ (H)			3		3		3	GXV120・GXV160
16	80-1020-881-00	ブレーキハネ (H)			3		3		3	GXV120・GXV160
17	80-1020-882-00	ブレーキ取付ボルト (H)			3		3		3	GXV120・GXV160
18	80-1020-892-00	半月キー 4*16 (H)			1		1		1	GXV120・GXV160
19	80-1020-883-00	トライブディスク (H)			1		1		1	GXV120・GXV160
20	80-1020-884-00	トリブディスク (H) ブラッシュ付			1		1		1	GXV120・GXV160
21	80-1020-885-00	ブラッシュ (H)			2		2		2	GXV120・GXV160
22	80-1020-886-00	クラッチハネ (H)			1		1		1	GXV120・GXV160
23	80-1020-887-00	プレートホルダー (H) ヘアリング付			1		1		1	GXV120・GXV160
24	80-1020-888-00	ホールヘアリング (H)			1		1		1	GXV120・GXV160
25	83-1020-323-00	座金 10*30*4.5 (H)			1		1		1	GXV120・GXV160
26	89-1254-100252	座付ボルト M10*1.25*25 (H)			1		1		1	GXV120・GXV160
27	80-1020-843-00	プレートスパーサー 7H (H)			1		1		1	GXV120・GXV160
28	80-1020-808-00	プレートブラケットカー (K) 30L	1	1		1		1		FC150V
	80-1020-816-00	プレートブラケットカー (H) 20L	1	1		1		1		GXV120・GXV160
29	80-1020-892-00	半月キー 4*16	1	1		1		1		
30	80-1020-833-00	プレートブラケット受け (K)	1	1		1		1		FC150V
	80-1020-837-00	プレートブラケット受け (H)	1	1		1		1		GXV120・GXV160
31	89-1852-280001	皿ハネ H28	1	1		1		1		
32	80-1020-807-10	プレートブラケット	1	1		1		1		
33	89-2151-040150	平行キー(カタマル) 4*15 (K)	1	1		1		1		FC150V
	89-2151-040090	平行キー(カタマル) 4*9 (H)	1	1		1		1		GXV120・GXV160
34	80-1020-835-00	プレートブラケット押え (K)	1	1		1		1		FC150V
	80-1020-836-00	プレートブラケット押え (H)	1	1		1		1		GXV120・GXV160
35	89-1750-100003	ハネ座金 10	1	1		1		1		
36	83-1020-115-00	六角ボルト 3/8-24*50UNF (K)	1	1		1		1		FC150V
	89-1254-100402	座付ボルト M10*1.25*40 (H)	1	1		1		1		GXV120・GXV160
37	80-1022-845-00	プレートスパーサー 3H (K)	1	1	1	1	1	1	1	FC150V
	80-1022-845-00	プレートスパーサー 3H (H)	1	1		1		1		GXV120・GXV160
38	80-1010-821-10	プレート 480	1	1	1					

Fig 6 ブレード&収草バッグ

見出 番号	部品番号	部品名	個数						備考
			481		531		532		
			P	Q	R	C	B	C	
38	80-1020-821-10	ブレード 530			1	1	1	1	
39	89-1711-100003	平座金 10 (K)	2	2	2	2	2	2	FC150V
	89-1711-100003	平座金 10 (H)		2		2		2	GXV120・GXV160
40	89-1750-100003	ハネ座金 10 (K)	2	2	2	2	2	2	FC150V
	89-1750-100003	ハネ座金 10 (H)		2		2		2	GXV120・GXV160
41	89-1113-100253	六角ボルト(8T) M10*25 (K)	2	2	2	2	2	2	FC150V
	89-1113-100253	六角ボルト(8T) M10*25 (H)		2		2		2	GXV120・GXV160
	89-1254-100252	座付ボルト M10*1.25*25 (H)			2		2		2GXV120・GXV160
42	80-1022-851-00	収草バッグフレーム	1	1	1	1	1	1	
43	80-1022-854-00	バッグプレート	1	1	1	1	1	1	
44	80-1020-854-00	バッグフレーム握り	1	1	1	1	1	1	
45	80-1022-853-00	収草バッグ	1	1	1	1	1	1	

MEMO



OREC

made in Japan

LA QUALITE AU SOMMET
A PRIX RAISONNABLE



Caractéristiques communes à tous les modèles :

- Tondeuse couleur gris métal avec moteur HONDA OHV capot rouge
- Entraînement **par cardan**
- Frein de lames **Rotostop** : le moteur continue à tourner quand la lame est à l'arrêt
- Transmission à 2 vitesses
- Roues sur double roulement
- Chassis alu • Capacité de bac 70 litres
- Guidon réglable - Réglage hauteur indépendant

REF.	LARG.	MOTEUR	PUISS.	CHÂSSIS
GR 481 DBH4	48	HONDA	GXV120	ALU
GR 531 DBH55	53	HONDA	GXV160 5,5 cv	ALU
GR 531 DBH55 RA	53	HONDA	GXV160 5,5 cv version PRO avec roues acier	ALU