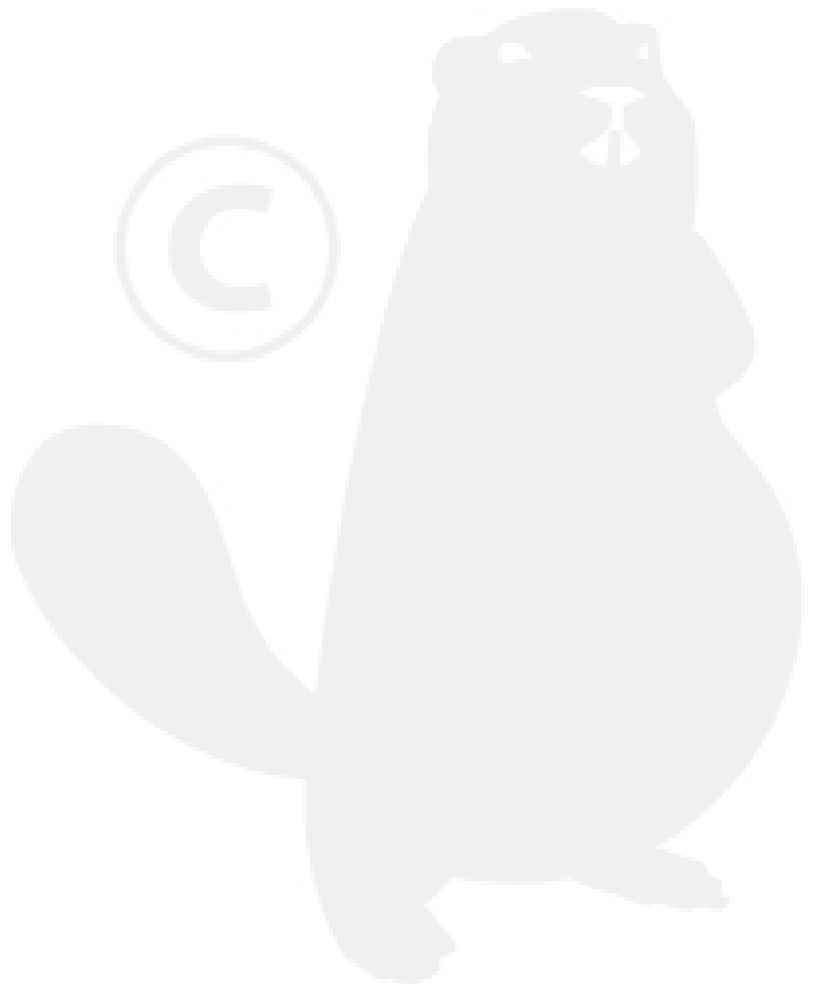
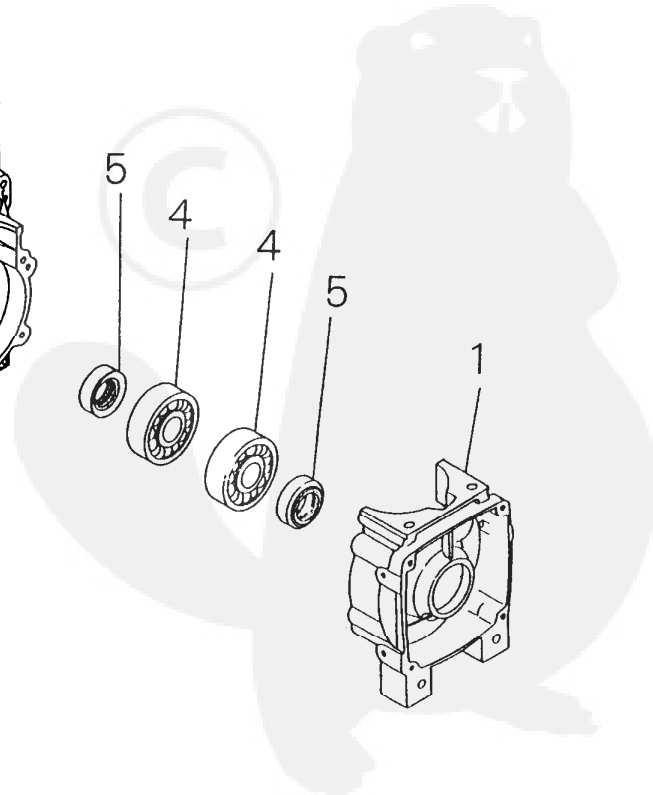
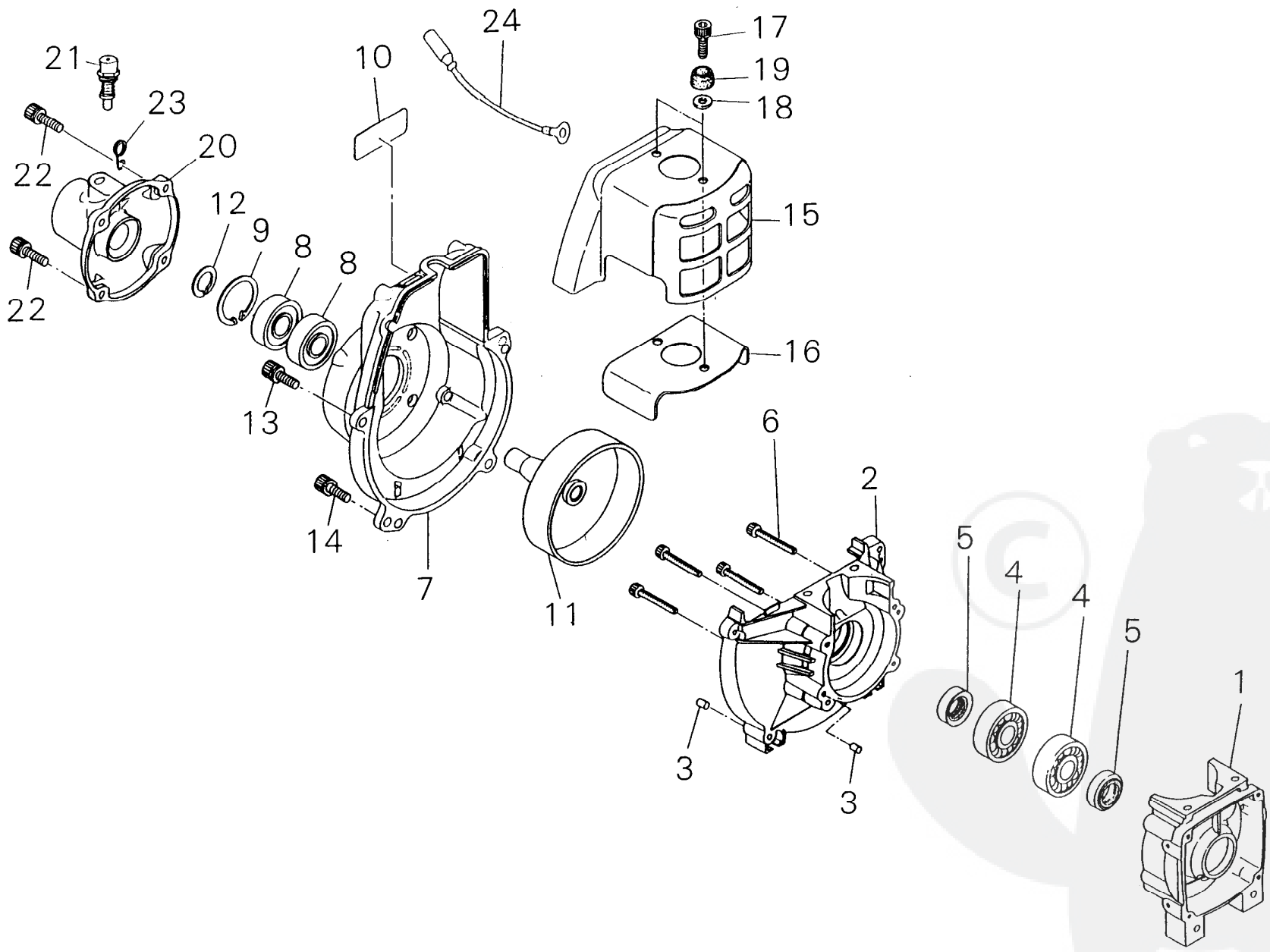


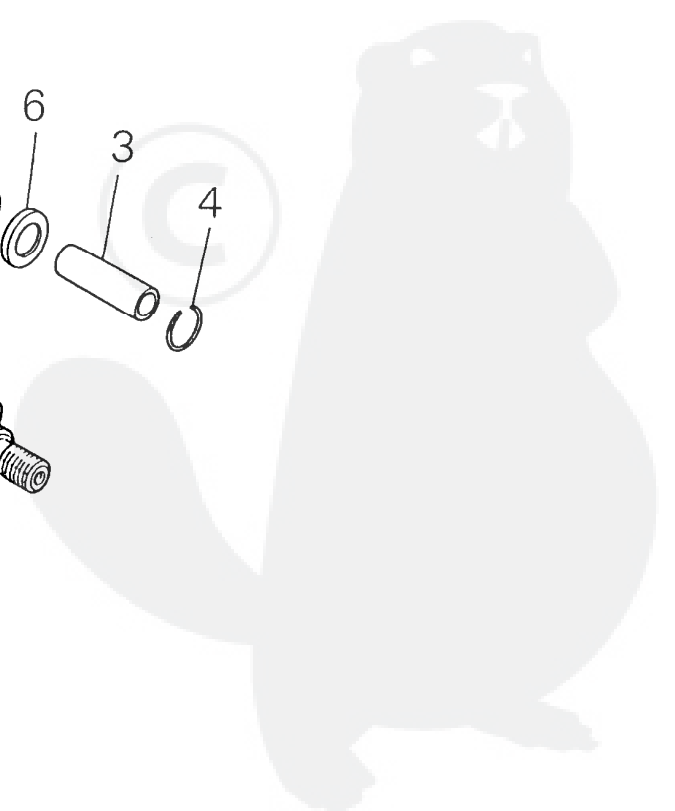
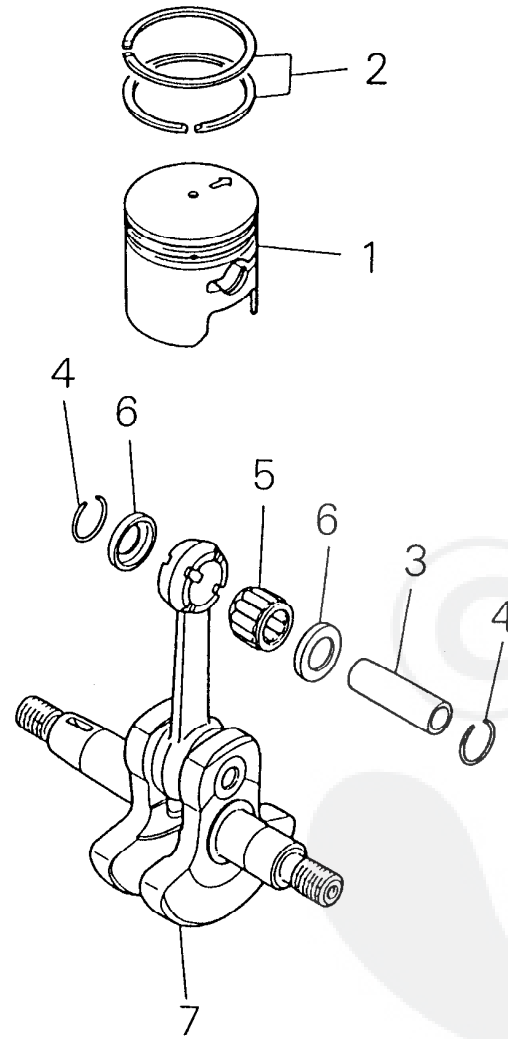
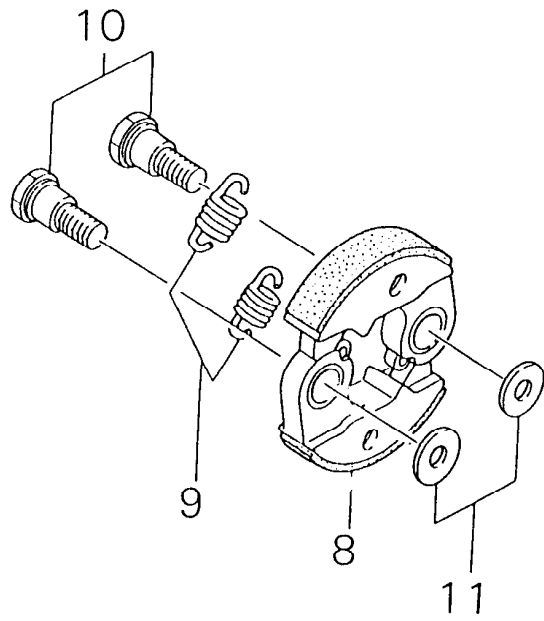
| Ref. No | Part No.    | Part Name       | Q`ty |
|---------|-------------|-----------------|------|
| 1- 1    | 70196-12110 | CYLINDER        | 1    |
| 2       | 20010-12120 | GASKETCYLINDER  | 1    |
| 3       | 01020-05250 | BOLT            | 4    |
| 4       | 01600-05131 | SPRINGWASHER    | 4    |
| 5       | 20051-12211 | INLETPipe       | 1    |
| 6       | 20051-12220 | GASKETINSULATOR | 2    |
| 7       | 20051-12230 | INSULATOR       | 1    |
| 8       | 11022-05250 | BOLTSPW         | 2    |
| 9       | 70199-15110 | MUFFLER         | 1    |
| 10      | 70210-15211 | GASKET          | 1    |
| 11      | 70199-15312 | MUFFLERGUARD    | 1    |
| 12      | 20050-15410 | TAILPIPE        | 1    |
| 13      | 11203-04100 | SCREWPM         | 1    |
| 14      | 01500-04031 | NUT             | 1    |
| 15      | 01020-06250 | BOLT            | 2    |
| 16      | 11024-05120 | BOLTSLPW        | 1    |
| 17      | 11024-05100 | BOLTSLPW        | 1    |
| 18      | 11020-05100 | BOLT SW         | 2    |
| 19      | 70196-32150 | WASHER          | 2    |
| 20      | 70196-32160 | COVER           | 2    |





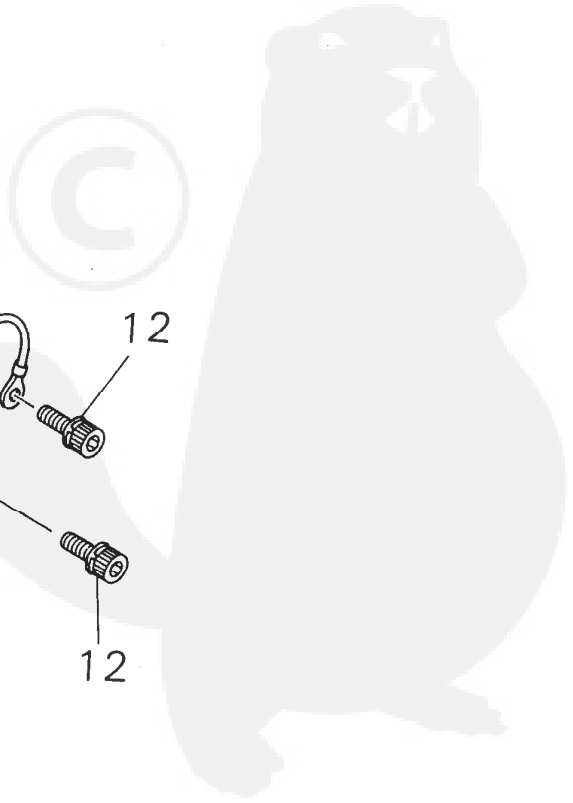
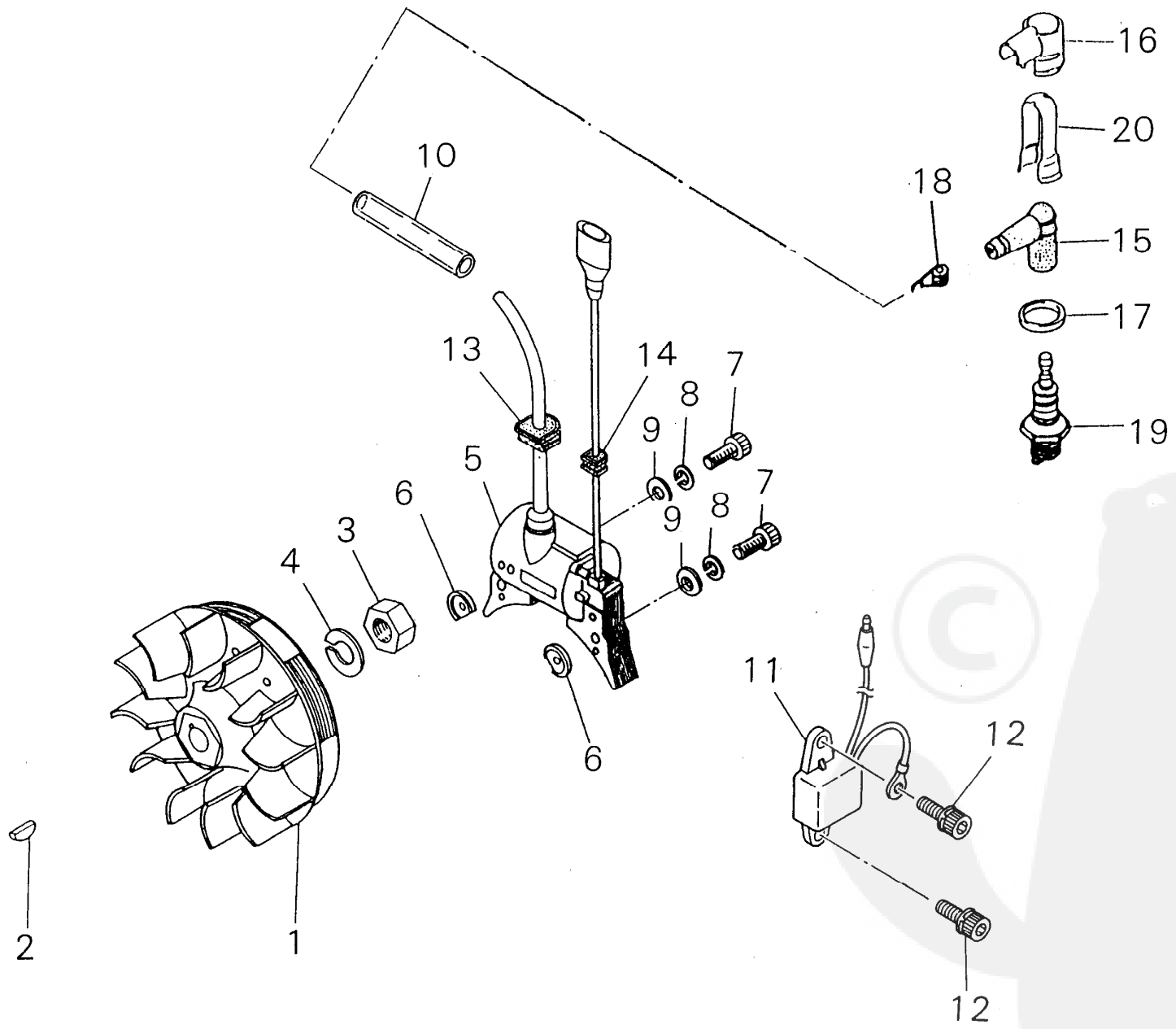
|    |             |               |   |
|----|-------------|---------------|---|
| 2- | 20051-21000 | CRANKCASEASSY | 1 |
| 1  | 20051-21110 | *CRANKCASES   | 1 |
| 2  | 70012-21121 | *CRANKCASEM   | 1 |
| 3  | 12492-50100 | *ROLLER       | 4 |
| 4  | 12900-62020 | *BEARING      | 2 |
| 5  | 20010-21211 | *OILSEAL      | 2 |
| 6  | 01020-05300 | *BOLT         | 4 |
| 7  | 70012-31111 | FANCOVER      | 1 |
| 8  | 02006-06002 | BEARING       | 2 |
| 9  | 02432-32120 | SNAPRING      | 1 |
| 10 | 70051-31150 | NAMEPLATE     | 1 |
| 11 | 20050-31210 | CLUTCHDRUM    | 1 |
| 12 | 20011-31230 | SNAPRING      | 1 |
| 13 | 11022-05200 | BOLTSPW       | 2 |
| 14 | 11022-05350 | BOLTSPW       | 2 |
| 15 | 70196-32110 | CYLINDERCOVER | 1 |
| 16 | 70196-32141 | GASKET        | 1 |
| 17 | 11020-05140 | BOLTSW        | 2 |
| 18 | 70196-32150 | WASHER        | 2 |
| 19 | 70196-32160 | COVER         | 2 |
| 20 | 20051-35130 | JOINTCASE     | 1 |
| 21 | 20112-35200 | PINCOMP       | 1 |
| 22 | 11022-05200 | BOLTSPW       | 4 |
| 23 | 20024-83152 | CABLEHOLDER   | 1 |
| 24 | 70056-83140 | EARTHCORDB    | 1 |





|      |             |                |   |
|------|-------------|----------------|---|
| 3- 1 | 20010-41110 | PISTON         | 1 |
| 2    | 20010-41210 | PISTONRING     | 2 |
| 3    | 20010-41310 | PISTONPIN      | 1 |
| 4    | 22100-41230 | SNAPRING       | 2 |
| 5    | 20010-41330 | NEEDLEBEARING  | 1 |
| 6    | 20010-41340 | THRUSTWASHER   | 2 |
| 7    | 20010-42002 | CRANKSHAFTASSY | 1 |
|      | 20050-51102 | CLUTCHSHOEASSY | 1 |
| 8    | 20050-51111 | *CLUTCHSHOE    | 2 |
| 9    | 20050-51121 | *CLUTCHSPRING  | 2 |
| 10   | 20010-51130 | *CLUTCHBOLT    | 2 |
| 11   | 20010-51141 | *WASHER        | 2 |

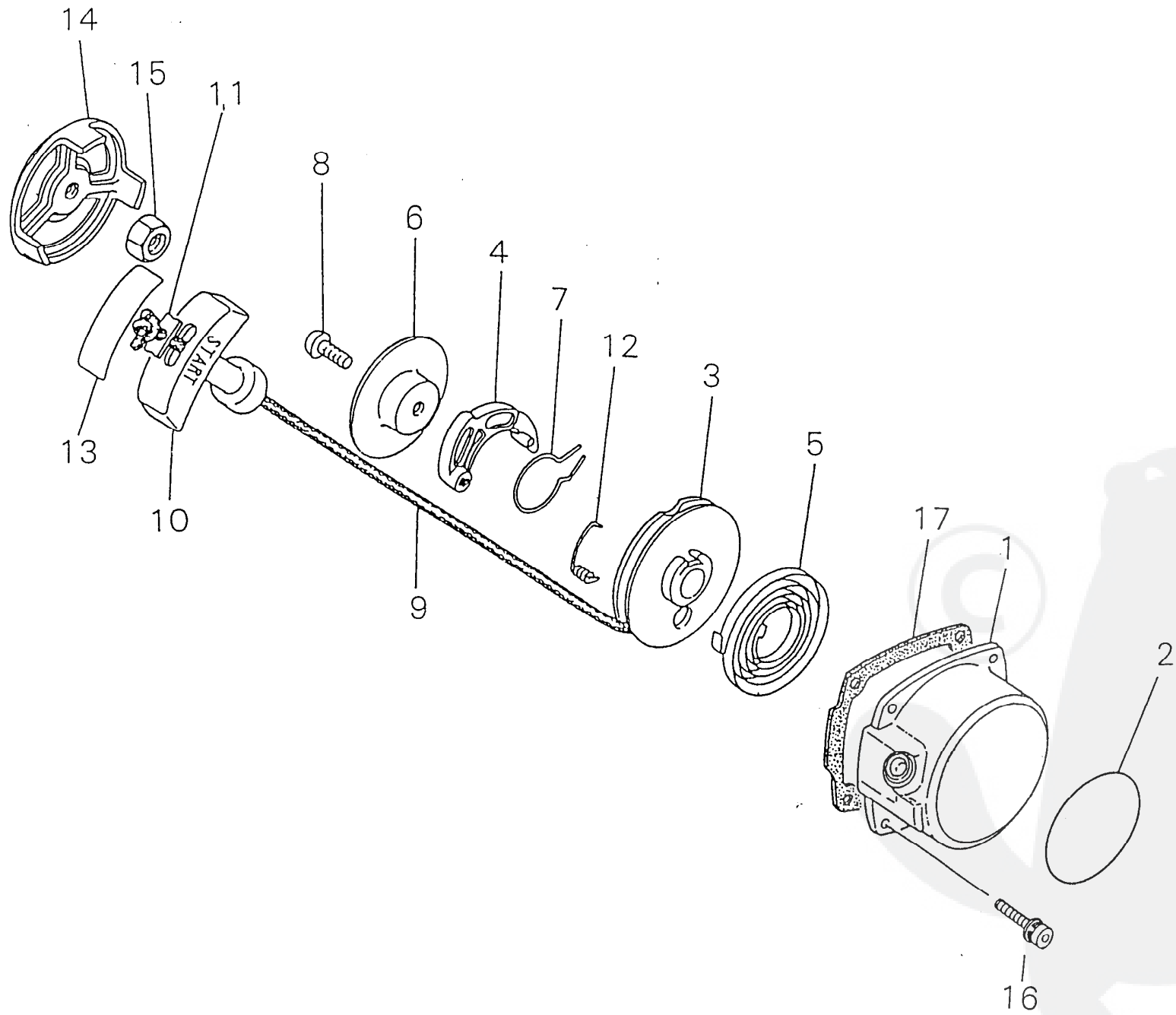




|      |             |                 |   |
|------|-------------|-----------------|---|
| 4- 1 | 20010-71201 | ROTOR           | 1 |
| 2    | 02403-03100 | KEY             | 1 |
| 3    | 01511-10061 | NUT             | 1 |
| 4    | 01600-10251 | SPRINGWASHER    | 1 |
| 5    | 20011-71611 | COIL            | 1 |
| 6    | 20010-71631 | SPACERCOIL      | 2 |
| 7    | 01020-04260 | BOLT            | 2 |
| 8    | 01600-04101 | SPRINGWASHER    | 2 |
| 9    | 20010-71650 | WASHER          | 2 |
| 10   | 20011-71660 | TUBE            | 1 |
| 11   | 72920-71711 | UNIT            | 1 |
| 12   | 11024-04120 | BOLTSPW         | 2 |
| 13   | 20011-72110 | GROMMET         | 1 |
| 14   | 20011-72120 | GROMMET         | 2 |
| 15   | 20010-72221 | PLUGCAP         | 1 |
| 16   | 20000-72241 | PLUGCAPCOVER    | 1 |
| 17   | 20000-72250 | COVERBAND       | 1 |
| 20   | 70180-72260 | SHIELD          | 1 |
| 18   | 20000-72230 | SPRINGSPARKPLUG | 1 |
| 19   | 13000-13406 | SPARKPLUGBMR6A  | 1 |

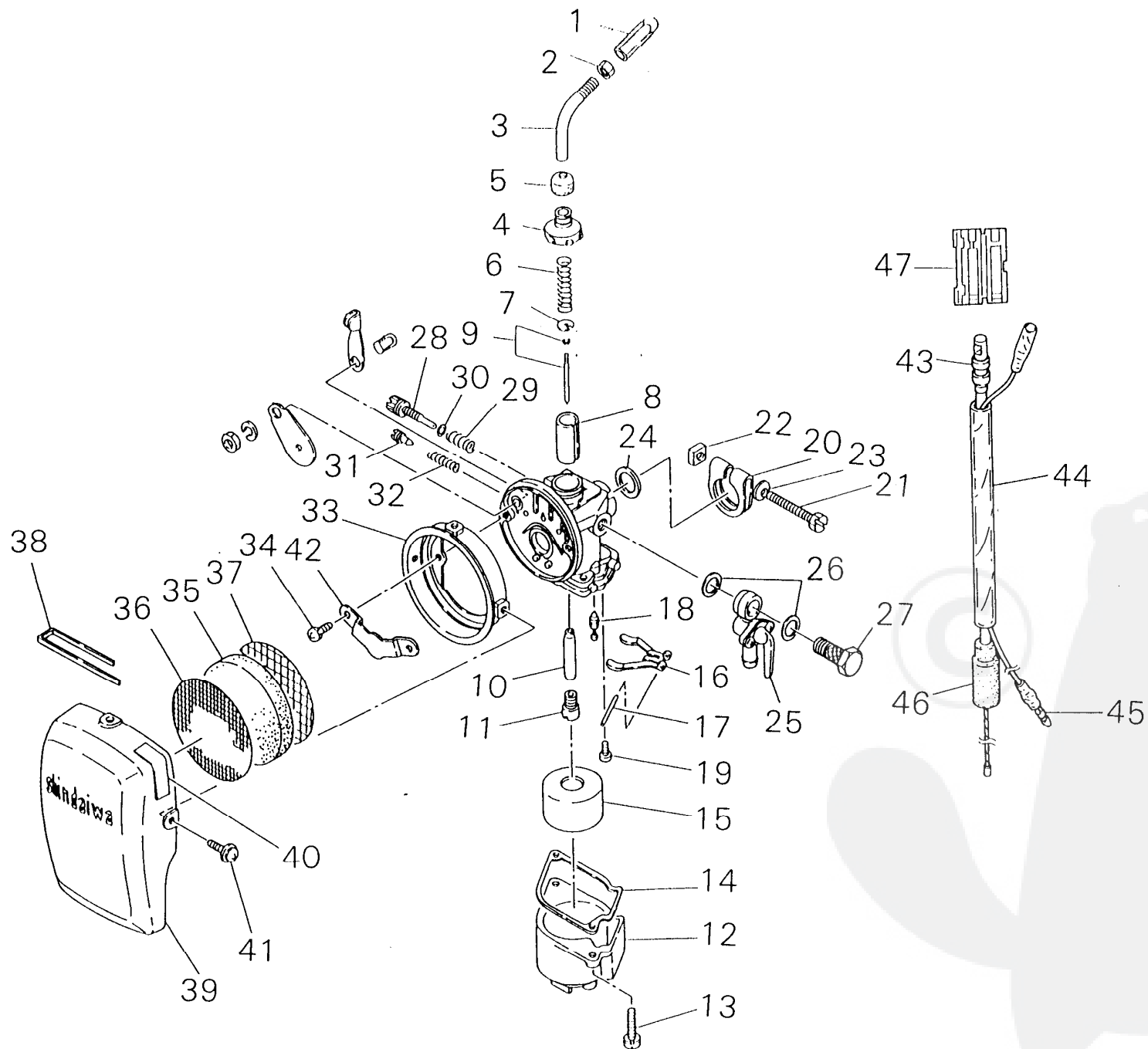






|    |             |                      |   |
|----|-------------|----------------------|---|
| 5- | 70020-75100 | RECOILSTARTERSUBASSY | 1 |
| 1  | 70020-75110 | *STARTERCASE         | 1 |
| 2  | 70020-75240 | *NAMEPLATE           | 1 |
| 3  | 20020-75120 | *REEL                | 1 |
| 4  | 20000-75130 | *RATCHET             | 1 |
| 5  | 20020-75140 | *RECOILSPRING        | 1 |
| 6  | 20000-75150 | *PLATEFRICTION       | 1 |
| 7  | 20000-75160 | *SPRINGFRICTION      | 1 |
| 8  | 20000-75170 | *SCREW               | 1 |
| 9  | 20020-75180 | *ROPE                | 1 |
| 10 | 20010-75190 | *STARTERKNOB         | 1 |
| 11 | 20010-75210 | *STOPPER             | 1 |
| 12 | 20000-75220 | *RETURNSPRING        | 1 |
| 13 | 20010-75230 | *TAPE                | 1 |
| 14 | 70000-75230 | STARTERPULLEY        | 1 |
| 15 | 20000-76210 | NUT                  | 1 |
| 16 | 11022-04160 | BOLTSPW              | 4 |
| 17 | 20020-76110 | GASKETSTARTER        | 1 |

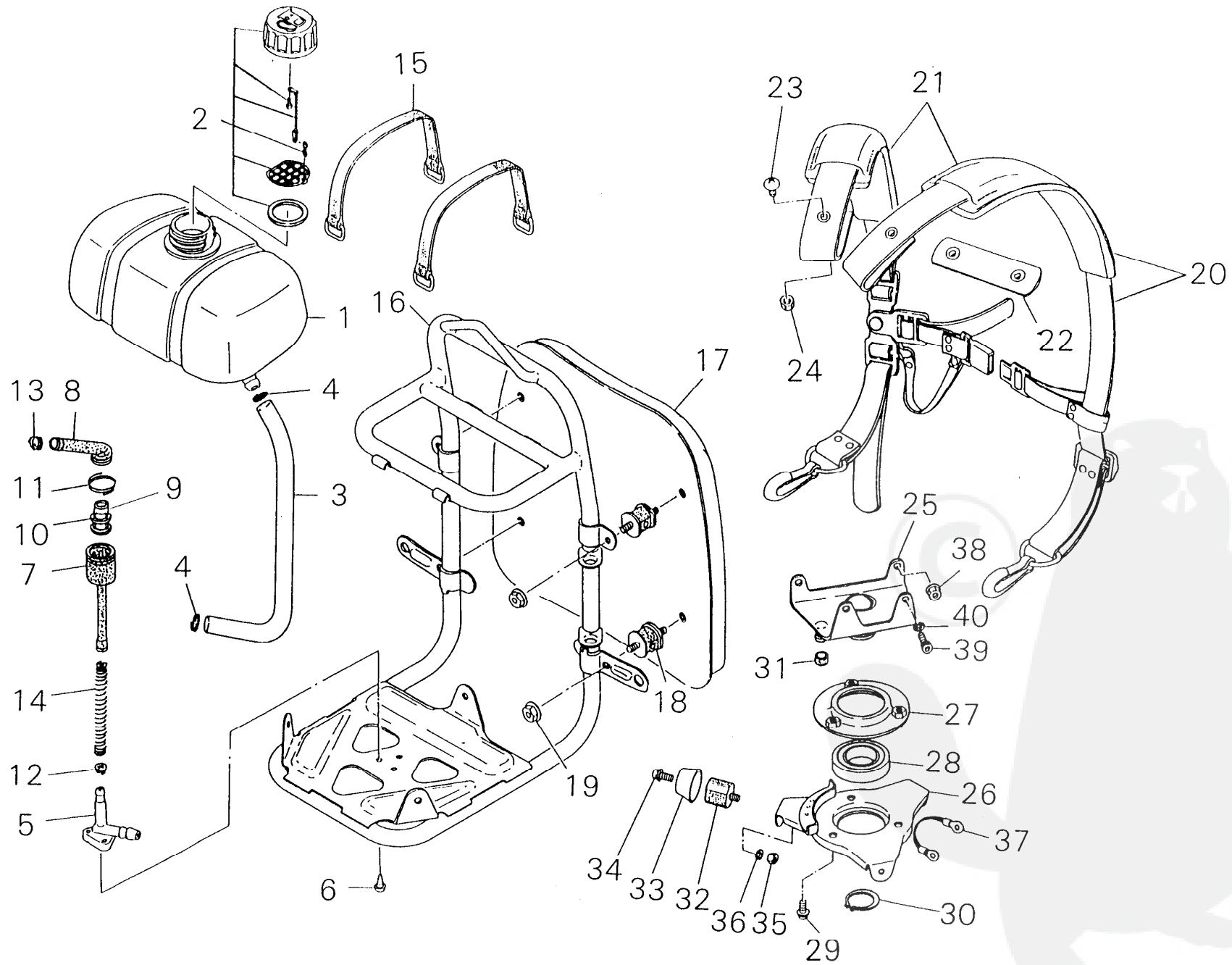




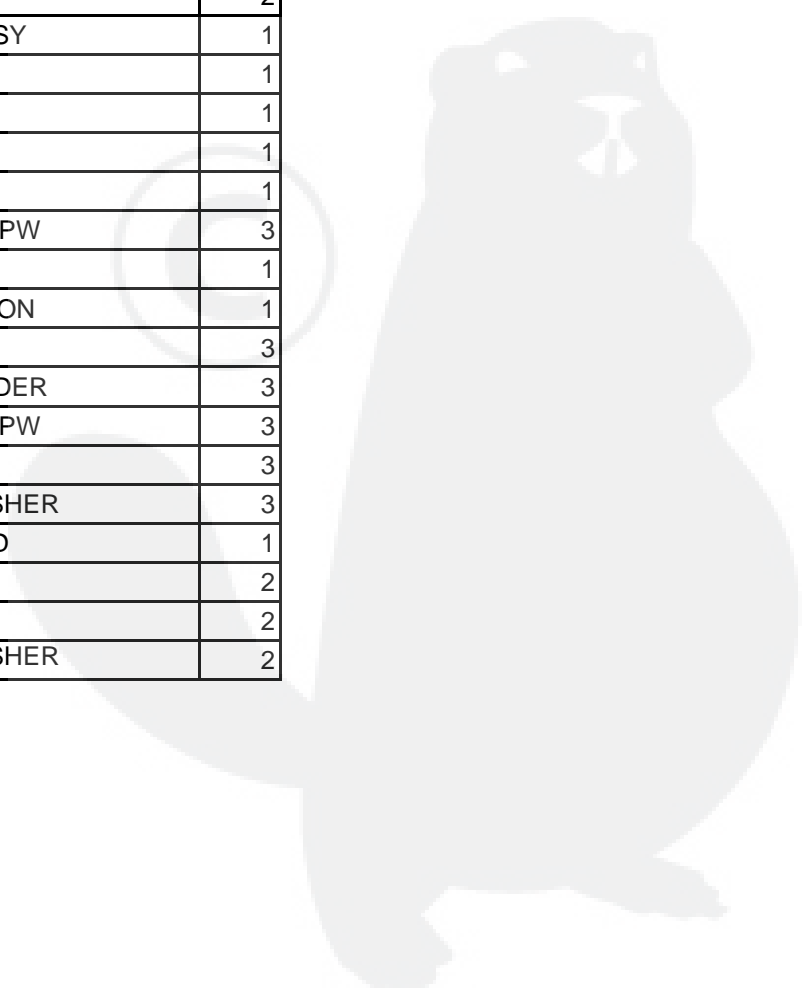
|    |             |                    |   |
|----|-------------|--------------------|---|
| 6- | 70199-81020 | CARBURETORBODYASSY | 1 |
| 1  | 20055-81810 | *CABLEADJUSTER     | 1 |
| 2  | 20000-81260 | *LOCKNUT           | 1 |
| 3  | 20055-81830 | *ADJUSTPIPE        | 1 |
| 4  | 20055-81120 | *BODYCAP           | 1 |
| 5  | 20055-81130 | *CAP               | 1 |
| 6  | 20003-81140 | *THROTTLESPRING    | 1 |
| 7  | 20000-81150 | *SPRINGRECEIVE     | 1 |
| 8  | 20055-81182 | *THROTTLEVALVE     | 1 |
| 9  | 20055-81212 | *JETNEEDLE         | 1 |
| 10 | 20055-81232 | *NEEDLEJET         | 1 |
| 11 | 20055-81242 | *MAINJET           | 1 |
| 12 | 20027-81310 | *FLOATCHAMBER      | 1 |
| 13 | 20014-81320 | *SCREW             | 2 |
| 14 | 20014-81330 | *PACKING           | 1 |
| 15 | 20014-81340 | *FLOAT             | 1 |
| 16 | 20014-81350 | *FLOATHINGE        | 1 |
| 17 | 20014-81360 | *HINGEPIN          | 1 |
| 18 | 20014-81381 | *NEEDLEVALVE       | 1 |
| 19 | 20014-81390 | *SCREW             | 1 |
| 20 | 20014-81510 | *BAND              | 1 |
| 21 | 20014-81521 | *BANDBOLT          | 1 |
| 22 | 20014-81530 | *NUT               | 1 |
| 23 | 20014-81540 | *WASHER            | 1 |
| 24 | 20010-81570 | *FLANGEPACKING     | 1 |
| 25 | 20055-81610 | *FUELCOCK          | 1 |
| 26 | 20055-81620 | *GASKET            | 2 |
| 27 | 20055-81630 | *BANJOBOLT         | 1 |
| 28 | 20014-81810 | *SLOWSTOPSCREW     | 1 |
| 29 | 20010-81820 | *ADJUSTSPRING      | 1 |
| 30 | 20014-81830 | *ORING             | 1 |
| 31 | 20000-81330 | *SLOWAIRSCREW      | 1 |
| 32 | 20000-81340 | *SPRING            | 1 |
| 33 | 20010-81711 | CLEANERBODY        | 1 |
| 34 | 20000-81730 | SCREW              | 2 |
| 35 | 20000-81740 | FILTER             | 1 |
| 36 | 20000-81750 | NETA               | 1 |
| 37 | 20010-81760 | NETB               | 1 |
| 38 | 20010-81781 | SPRINGNET          | 1 |
| 39 | 20010-81771 | CLEANERCOVER       | 1 |
| 40 | 19404-00008 | LABELCHOKE         | 1 |
| 41 | 20000-81735 | SCREW              | 3 |
| 42 | 20014-81790 | PLATE              | 1 |
| 43 | 70056-83200 | THROTTLECABLEB     | 1 |
| 44 | 20020-83120 | PIPE               | 1 |
| 45 | 70056-83130 | EARTHCORDA         | 1 |
| 46 | 20005-83160 | CABLECAP           | 1 |

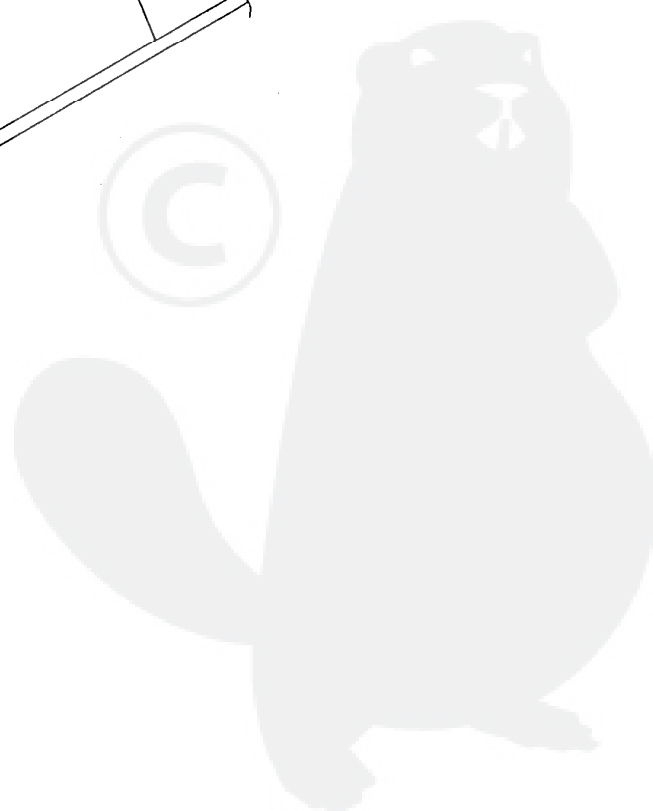
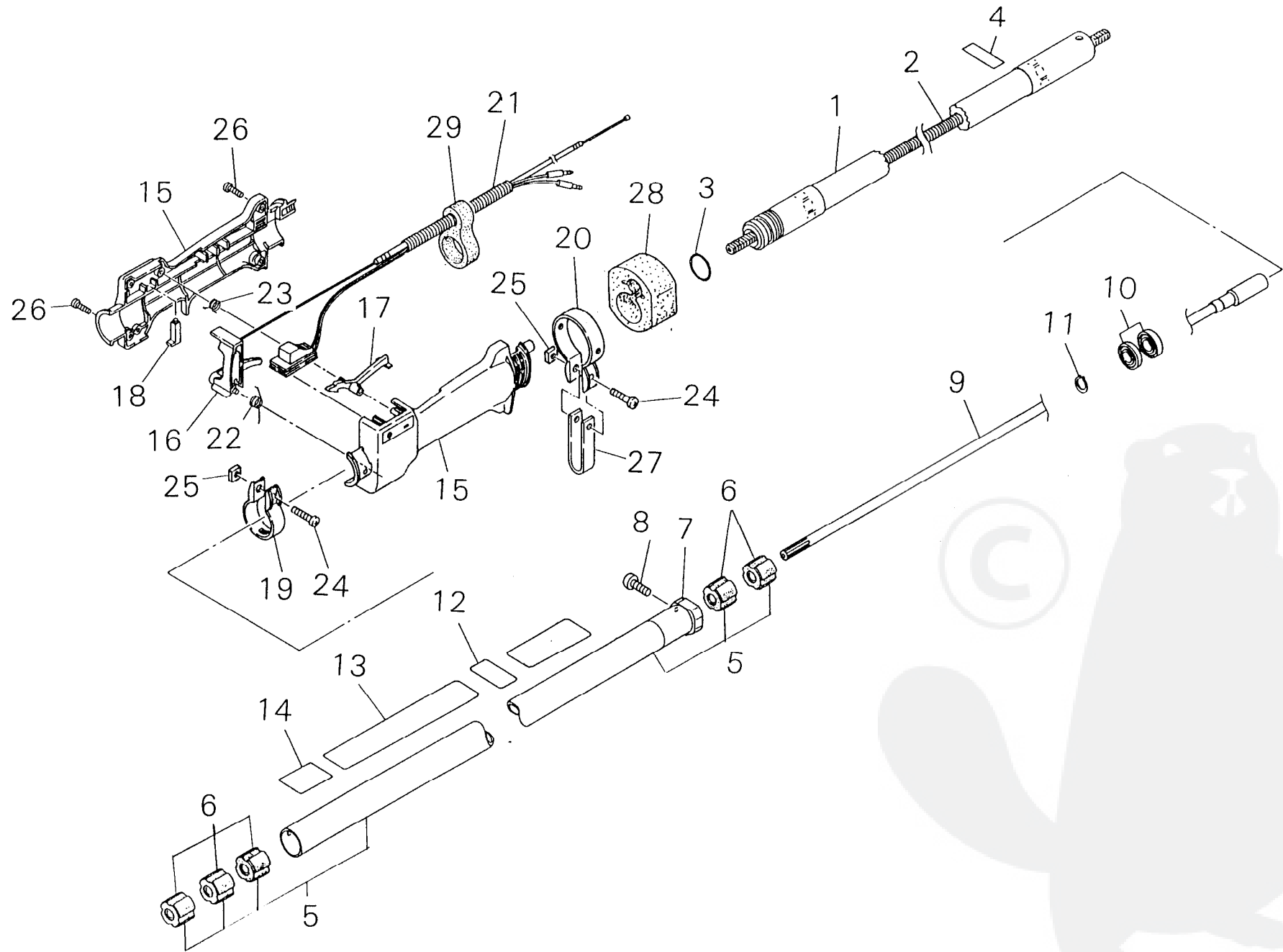






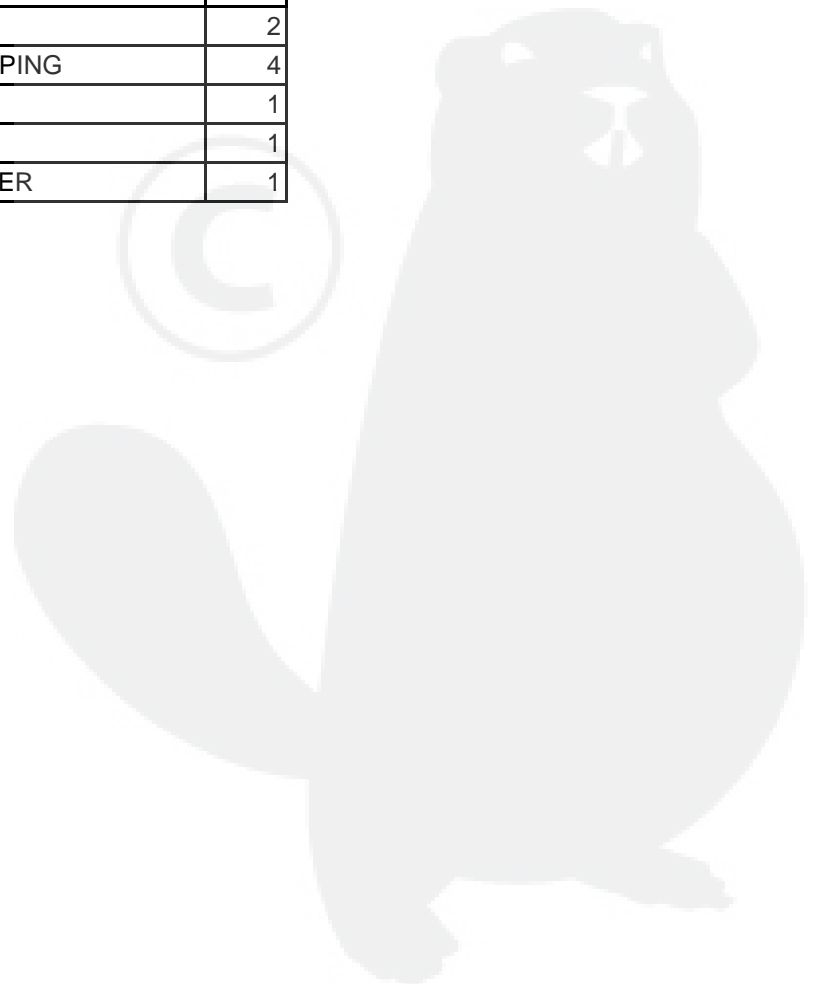
|     |             |               |   |
|-----|-------------|---------------|---|
| 7-1 | 20050-85110 | FUELTANK      | 1 |
| 2   | 70199-85202 | FUELCAPASSY   | 1 |
| 3   | 20051-85410 | FUELPIPE      | 1 |
| 4   | 20051-85420 | CLIP          | 2 |
| 5   | 20050-85461 | ELBOW         | 1 |
| 6   | 11202-40100 | SCREWHILO4X10 | 3 |
|     | 20051-85503 | FILTERASSY    | 1 |
| 7   | 20051-85510 | *FUELPIPE     | 1 |
| 8   | 20051-85521 | *FUELPIPEA    | 1 |
|     | 22999-00001 | *FILTERSET#   | 1 |
| 9   | 20051-85540 | **FILTERA     | 1 |
| 10  | 20051-85531 | **FILTER      | 1 |
| 11  | 20050-85580 | *CLIP         | 1 |
| 12  | 20050-85560 | *CLIP         | 1 |
| 13  | 20051-85570 | *CLIPA        | 1 |
| 14  | 20051-85590 | *SPRING       | 1 |
| 15  | 20010-86140 | BAND          | 2 |
| 16  | 20051-86112 | FRAME         | 1 |
| 17  | 20051-86120 | PAD           | 1 |
| 18  | 20051-86160 | CUSHION18K    | 4 |
| 19  | 11526-05112 | FLANGENUT     | 4 |
| 20  | 70199-86200 | BANDASSY      | 1 |
| 21  | 22044-17230 | *PROTECTOR    | 2 |
| 22  | 20051-86320 | JOINTBAND     | 1 |
| 23  | 01215-06140 | SCREWTRUSS    | 2 |
| 24  | 22011-97840 | LOCKNUT       | 2 |
|     | 20051-87001 | BRACKETASSY   | 1 |
| 25  | 20050-87110 | *BRACKETA     | 1 |
| 26  | 20050-87120 | *BRACKETB     | 1 |
| 27  | 20050-87131 | *RETAINER     | 1 |
| 28  | 02002-06005 | *BEARING      | 1 |
| 29  | 11206-05100 | *SCREWPMSPW   | 3 |
| 30  | 02430-25120 | *SNAPRING     | 1 |
| 31  | 20050-87150 | *STOPCUSHION  | 1 |
| 32  | 20050-87160 | *CUSHION      | 3 |
| 33  | 20050-87170 | *MOUNTHOLDER  | 3 |
| 34  | 11206-05100 | *SCREWPMSPW   | 3 |
| 35  | 01500-05041 | *NUT          | 3 |
| 36  | 01600-05131 | *SPRINGWASHER | 3 |
| 37  | 20051-87210 | *EARTHCORD    | 1 |
| 38  | 01500-05041 | *NUT          | 2 |
| 39  | 11020-05120 | *BOLTSW       | 2 |
| 40  | 01600-05131 | *SPRINGWASHER | 2 |

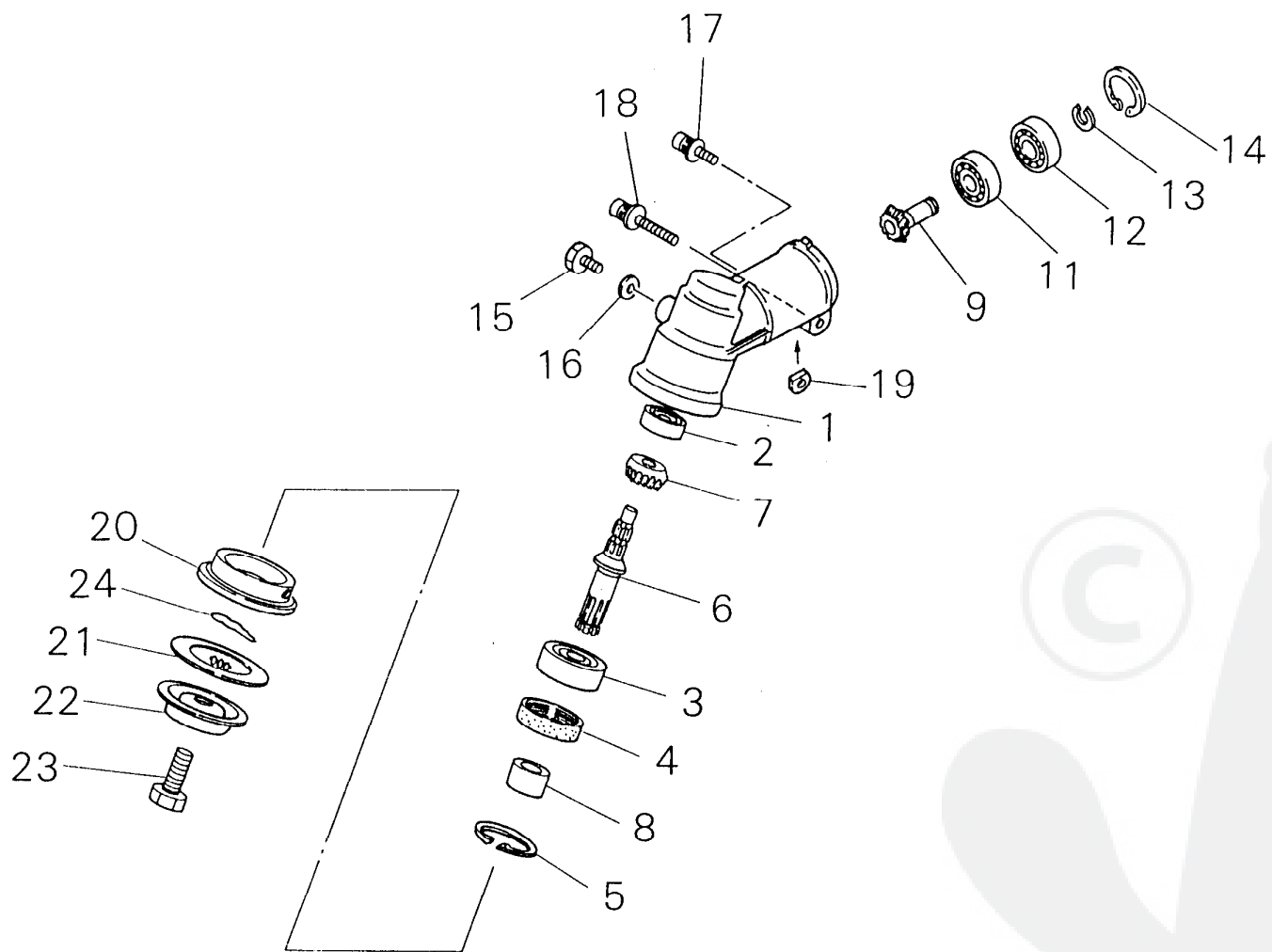




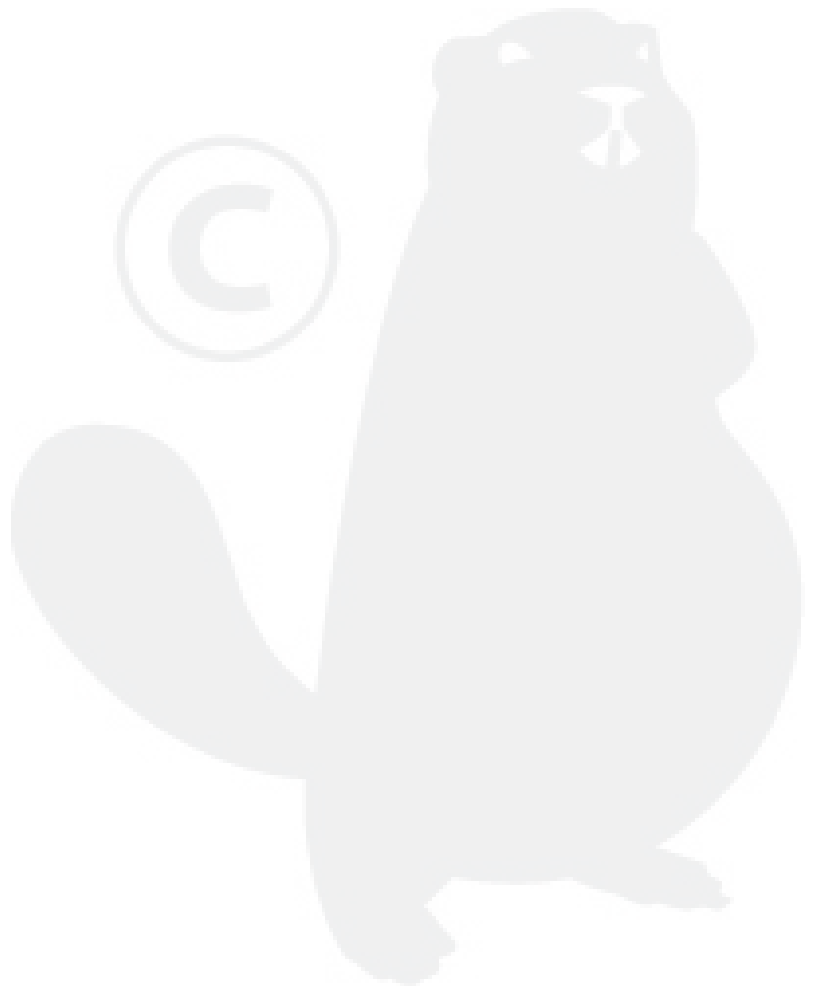


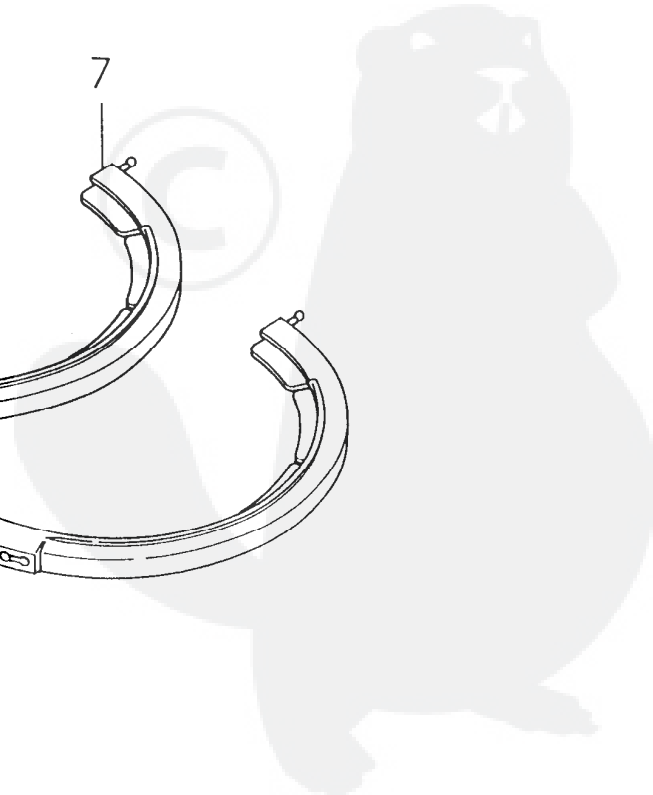
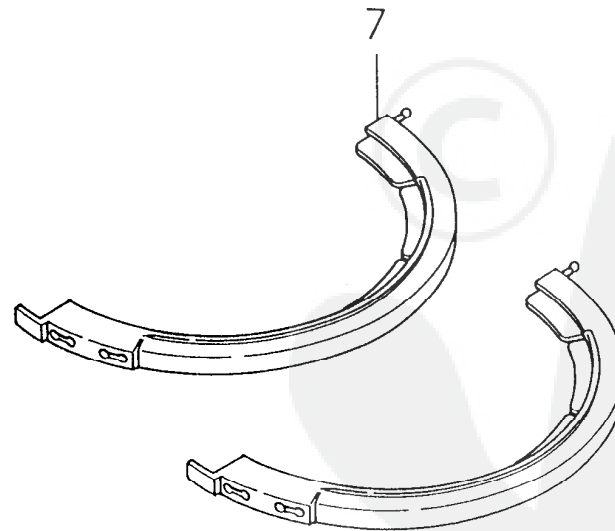
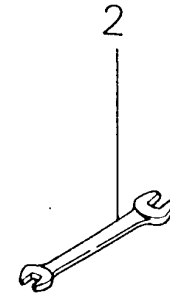
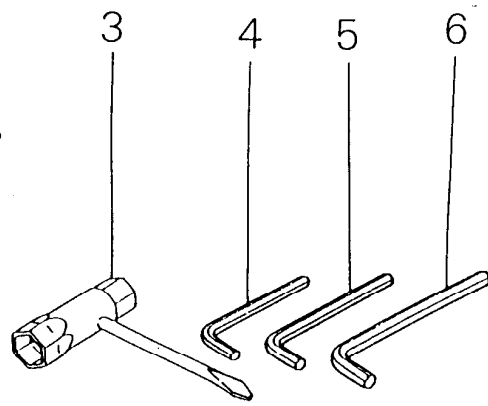
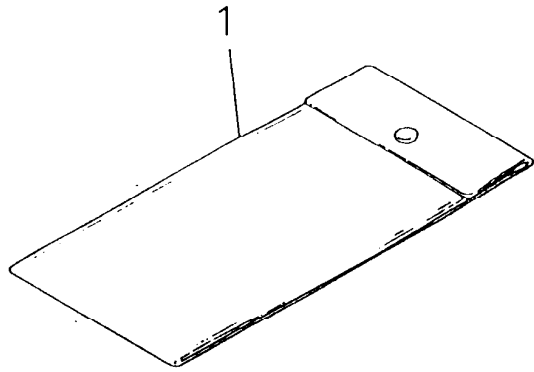
|    |             |                    |   |
|----|-------------|--------------------|---|
| 8- | 72517-11103 | FLEXIBLESET        | 1 |
| 1  | 72517-11111 | *FLEXIBLEPIPE      | 1 |
| 2  | 72517-11121 | *FLEXIBLESHAFT     | 1 |
| 3  | 22056-11140 | *ORING             | 1 |
| 4  | 72051-11150 | CAUTIONPLATE       | 1 |
| 5  | 72517-12100 | OUTERPIPESUBASSY   | 1 |
| 6  | 22000-12120 | *BUSHING           | 5 |
| 7  | 72517-12130 | JOINTPIPE          | 1 |
| 8  | 22056-12340 | SCREW              | 1 |
| 9  | 72517-12410 | MAINSHAFT          | 1 |
| 10 | 02002-06900 | BEARING            | 2 |
| 11 | 02430-10100 | SNAPRING           | 1 |
| 12 | 72017-12150 | HANDLELABEL        | 1 |
| 13 | 19422-00010 | LABELCAUTION       | 1 |
| 14 | 19402-00223 | LABELCAUTION       | 1 |
|    | 72517-12702 | THROTTLELEVERASSY  | 1 |
| 15 | 72430-12800 | *BODYSUBASSY       | 1 |
| 16 | 72430-12730 | *LEVER             | 1 |
| 17 | 72430-12740 | *LOCKLEVER         | 1 |
| 18 | 72451-14550 | *BUTTON            | 1 |
| 19 | 72451-14560 | *CLAMP             | 1 |
| 20 | 72430-12750 | *CLAMP             | 1 |
| 21 | 72517-12762 | *THROTTLECABLECOMP | 1 |
| 22 | 72451-14580 | *RETURNSPRING      | 1 |
| 23 | 72451-14590 | *SPRING            | 1 |
| 24 | 11203-06200 | *SCREW             | 2 |
| 25 | 72451-14610 | *NUT               | 2 |
| 26 | 72451-14620 | *SCREWTAPPING      | 4 |
| 27 | 72517-12180 | STAND              | 1 |
| 28 | 72517-12190 | HOLDER             | 1 |
| 29 | 20079-83140 | CABLEHOLDER        | 1 |



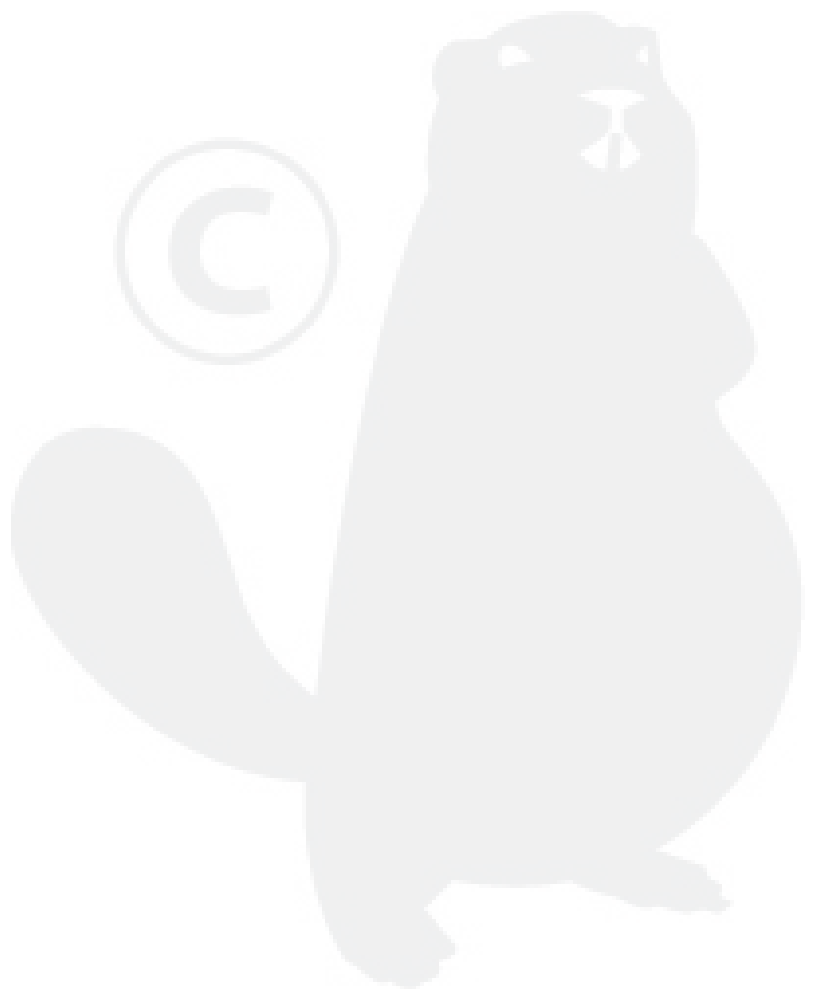


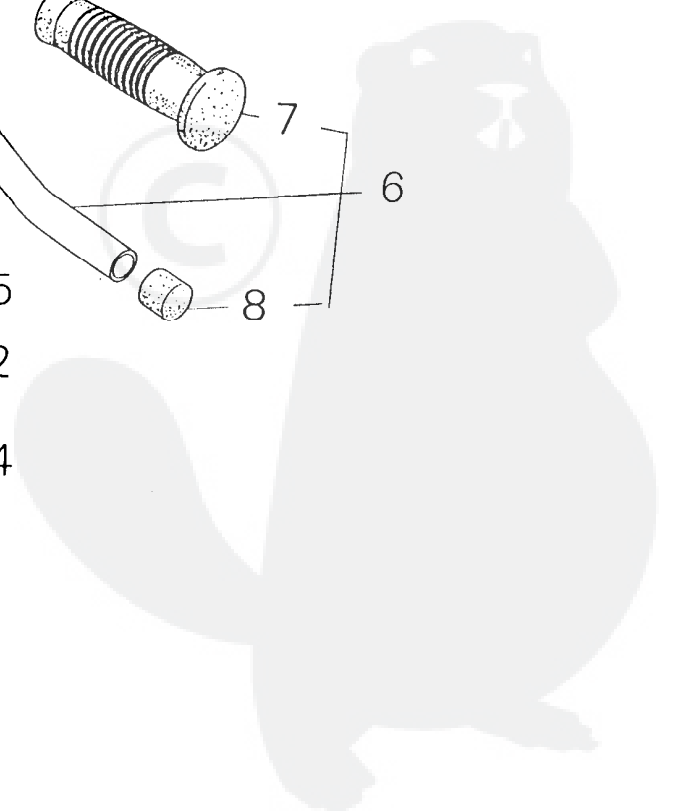
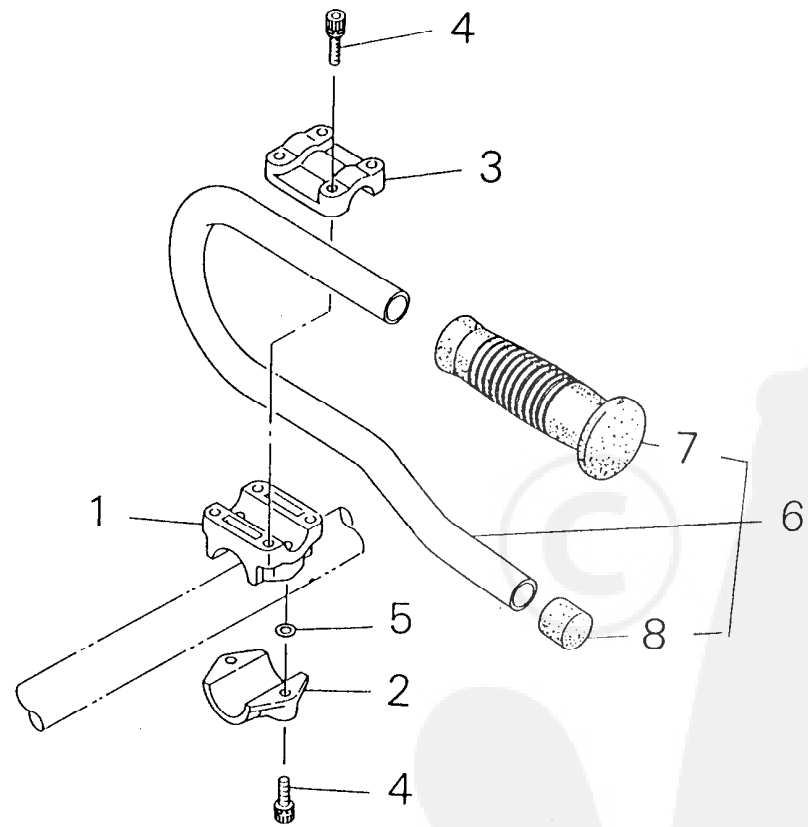
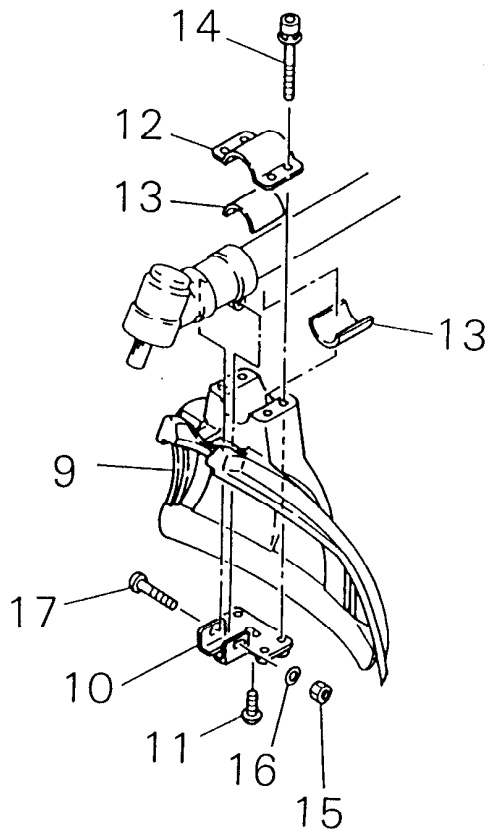
|    |             |                 |   |
|----|-------------|-----------------|---|
| 9- | 72435-13013 | GEARCASESUBASSY | 1 |
| 1  | 72435-13112 | *GEARCASE       | 1 |
| 2  | 02046-00609 | *BEARING        | 1 |
| 3  | 02000-06201 | *BEARING        | 1 |
| 4  | 22024-13121 | *OILSEAL        | 1 |
| 5  | 02432-32120 | *SNAPRING       | 1 |
| 6  | 72435-13210 | *GEARSHAFT      | 1 |
| 7  | 22024-13220 | *BEVELGEAR      | 1 |
| 8  | 22000-13230 | *COLLAR         | 1 |
| 9  | 22024-13391 | *PINIONSET      | 1 |
| 11 | 02000-06901 | *BEARING        | 1 |
| 12 | 02002-06901 | *BEARING        | 1 |
| 13 | 20000-31140 | *SNAPRING       | 1 |
| 14 | 02432-24120 | *SNAPRING       | 1 |
| 15 | 22015-13410 | *BOLT           | 1 |
| 16 | 22015-13420 | *GASKET         | 1 |
| 17 | 11022-05160 | *BOLTSPW        | 1 |
| 18 | 11022-06280 | *BOLTSPW        | 1 |
| 19 | 22011-13450 | *SHIM           | 1 |
| 20 | 22024-13912 | HOLDERA         | 1 |
| 21 | 72435-13920 | HOLDERB         | 1 |
| 22 | 22024-13291 | BOLTGUARD       | 1 |
| 23 | 22000-13512 | BOLT            | 1 |
| 24 | 22000-13530 | SLIDEPIN        | 1 |





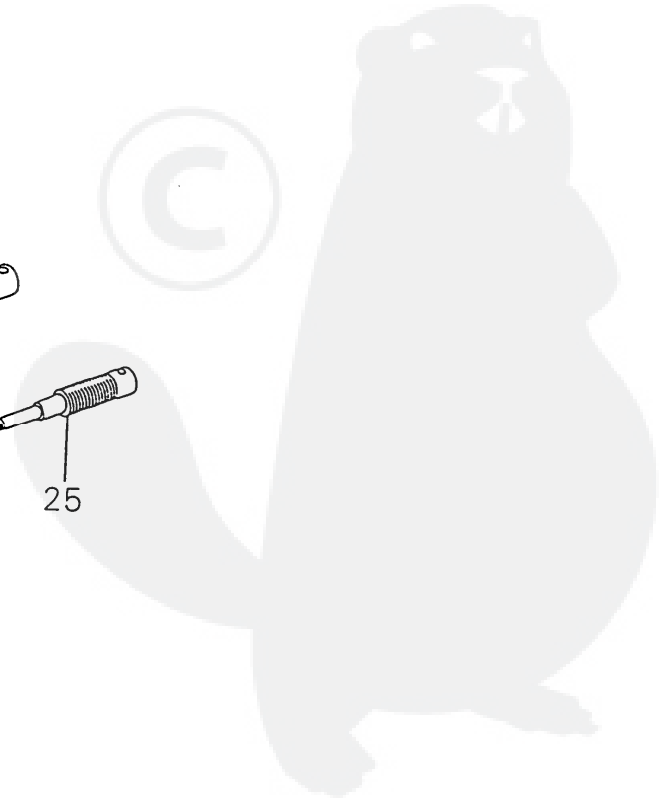
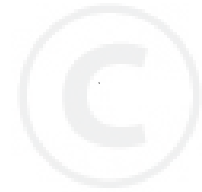
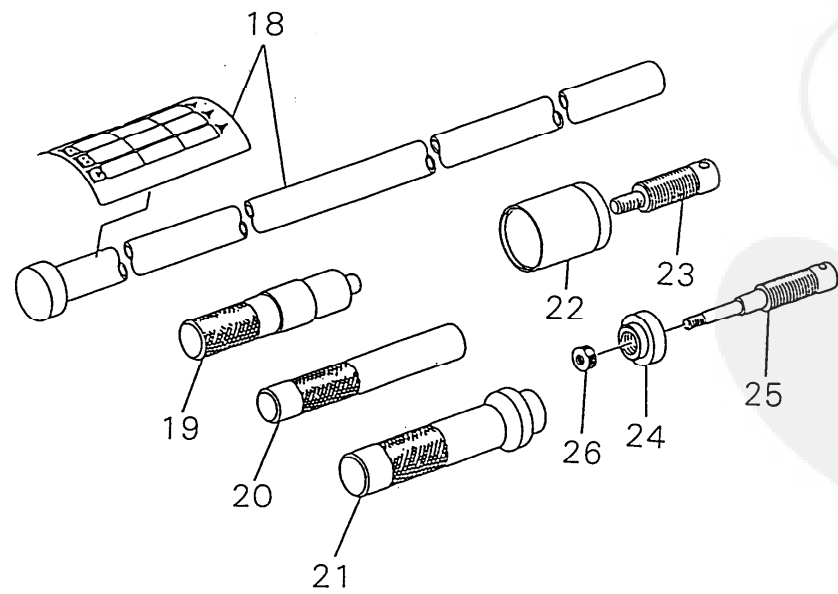
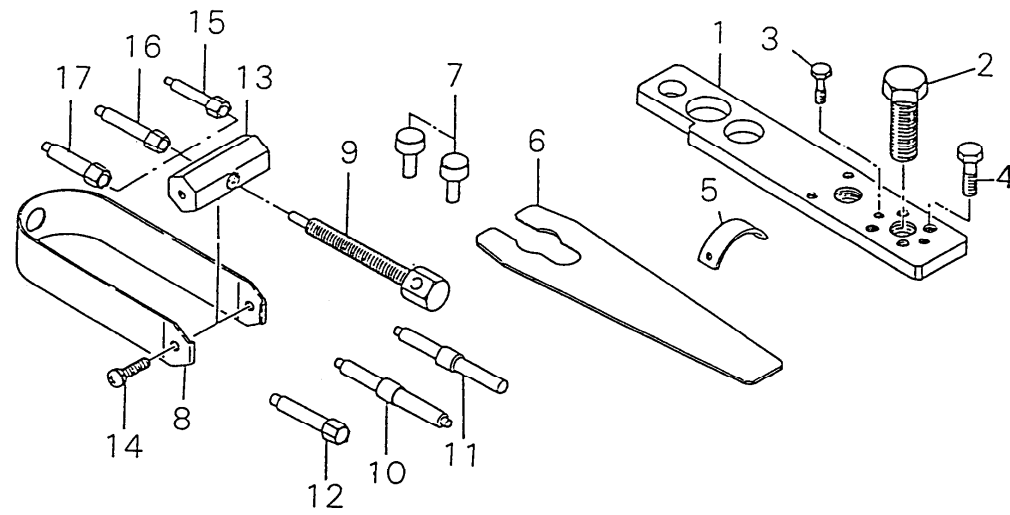
|     |             |             |   |
|-----|-------------|-------------|---|
| 10- | 72512-91000 | TOOLSET     | 1 |
| 1   | 19610-02100 | *TOOLBAG    | 1 |
| 2   | 22000-91120 | *SPANNER    | 1 |
| 3   | 22000-91181 | *PLUGWRENCH | 1 |
| 4   | 09026-03001 | *HEXAWRENCH | 1 |
| 5   | 09026-04001 | *HEXAWRENCH | 1 |
| 6   | 09026-05001 | *HEXAWRENCH | 1 |
| 7   | 19601-00300 | BLADECOVER  | 1 |





|     |             |                |   |
|-----|-------------|----------------|---|
| 11- | 72091-14100 | BRACKETSUBASSY | 1 |
| 1   | 72051-14110 | *HANDLEBRACKET | 1 |
| 2   | 72051-14120 | *LOWERCAP      | 1 |
| 3   | 72051-14131 | *UPPERCAP      | 1 |
| 4   | 11022-05250 | *BOLTSPW       | 6 |
| 5   | 01610-05080 | *WASHER        | 1 |
| 6   | 72430-14200 | HANDLESUBASSY  | 1 |
| 7   | 22421-14230 | *GRIP          | 1 |
| 8   | 72430-14270 | *CAP           | 4 |
| 9   | 72480-16113 | GUARD          | 1 |
| 10  | 72441-16130 | LOWERCLAMP     | 1 |
| 11  | 11202-40100 | SCREWHILO4X10  | 1 |
| 12  | 72480-16210 | UPPERCLAMP     | 1 |
| 13  | 72441-16220 | SPACER         | 1 |
| 14  | 11022-05450 | BOLTSPW        | 4 |
| 15  | 01500-06051 | NUT            | 1 |
| 16  | 01613-06100 | WASHER         | 1 |
| 17  | 11022-06400 | BOLTSPW        | 1 |







|     |             |                |   |
|-----|-------------|----------------|---|
| 12- | 20000-96104 | PULLERASSY     | 1 |
| 1   | 20000-96114 | *LEVER         | 1 |
| 2   | 22100-96121 | *CENTERBOLT    | 1 |
| 3   | 20000-96130 | *BOLT          | 3 |
| 4   | 20000-96140 | *BOLT          | 2 |
| 5   | 20000-96210 | AIRGAPGAUGE    | 1 |
| 6   | 20000-96411 | ROTORSPANNER   | 1 |
| 7   | 20021-96420 | STOPPER        | 2 |
|     | 20021-96601 | PULLERASSY     | 1 |
| 8   | 20021-96611 | *PULLER        | 1 |
| 9   | 20021-96621 | *BOLT          | 1 |
| 10  | 20000-96631 | *GUIDEPIN      | 1 |
| 11  | 20035-96630 | *GUIDEPIN      | 1 |
| 12  | 20021-96630 | *GUIDEPIN      | 1 |
| 13  | 20000-96640 | *BOSS          | 1 |
| 14  | 01211-06120 | *SCREWSW       | 2 |
| 15  | 20021-96650 | *PINADAPTER    | 1 |
| 16  | 20021-96660 | *PINADAPTER    | 1 |
| 17  | 20021-96670 | *PINADAPTER    | 1 |
| 18  | 22000-96101 | RODBUSHINGASSY | 1 |
| 19  | 22000-96210 | ROD6000DDU     | 1 |
| 20  | 22000-96310 | ROD6000ZZ      | 1 |
| 21  | 22000-96410 | ROD6201        | 1 |
|     | 22000-96501 | PULLERASSY     | 1 |
| 22  | 22000-96510 | *HOLDER        | 1 |
| 23  | 22000-96521 | *BOLT          | 1 |
|     | 22000-96600 | PULLERSUBASSY  | 1 |
| 24  | 22000-96610 | *HOLDER        | 1 |
| 25  | 22000-96621 | *BOLT          | 1 |
| 26  | 22000-96630 | *NUT           | 1 |

