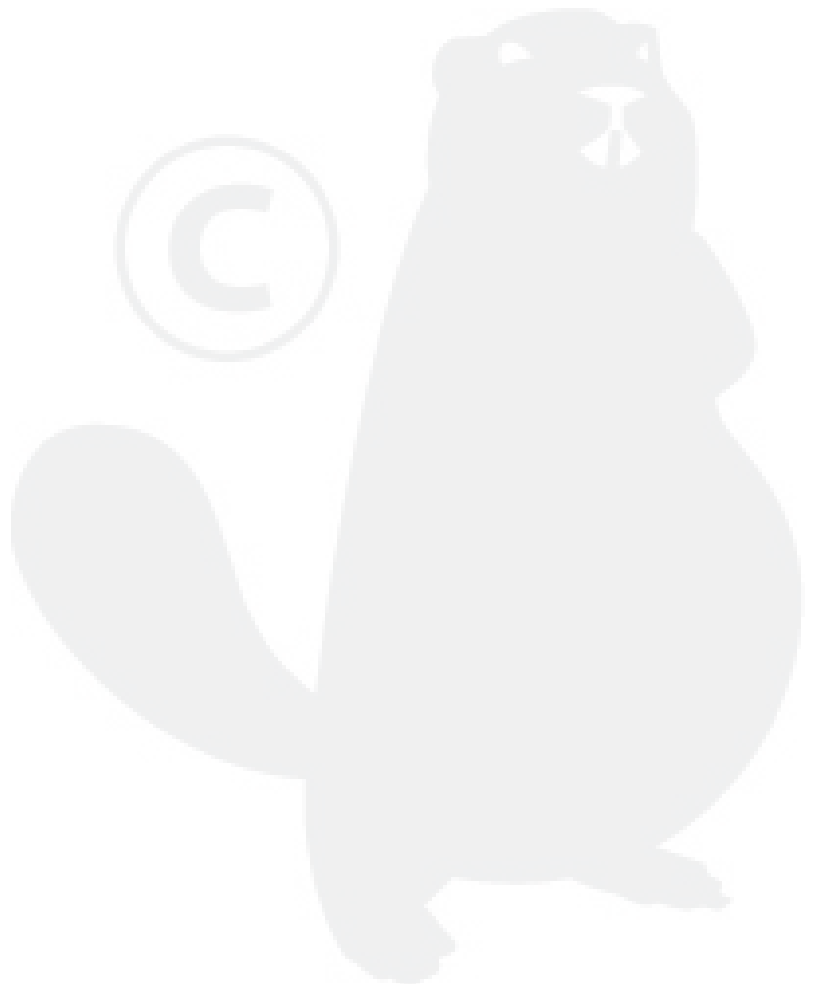
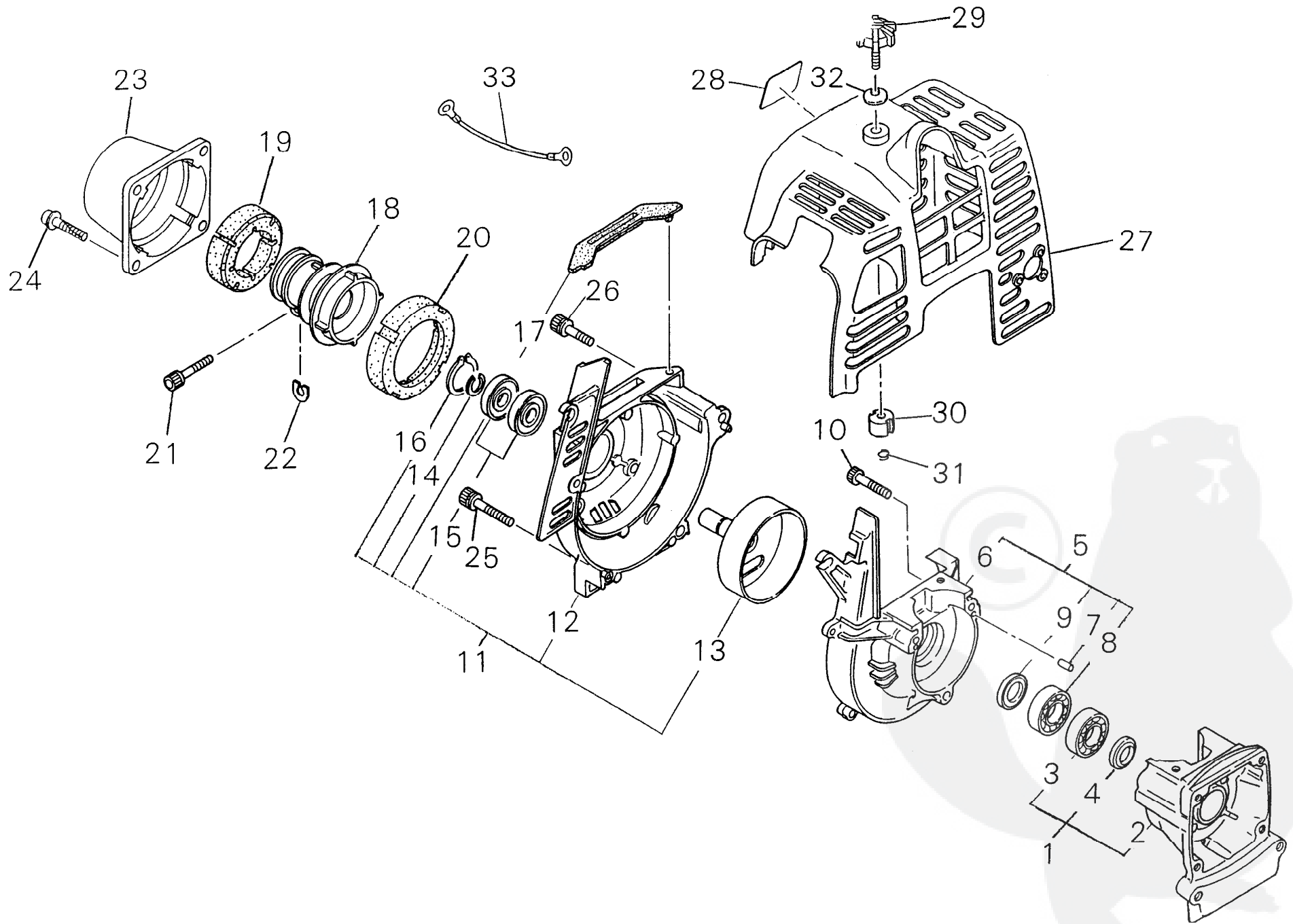
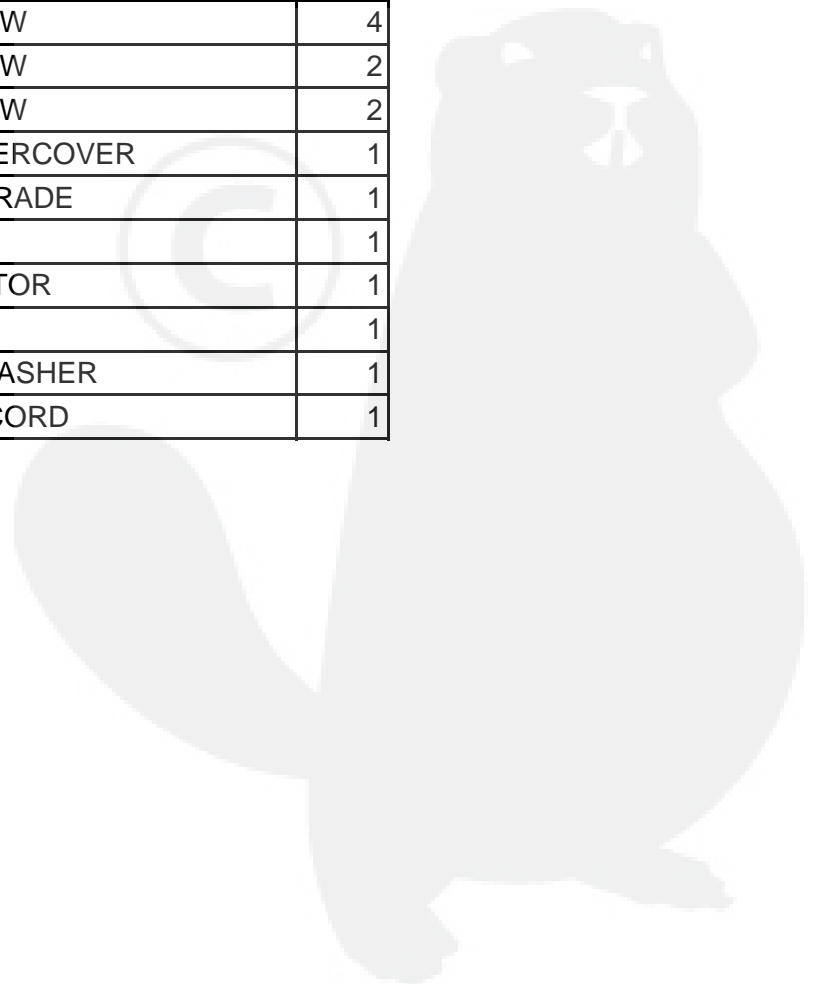


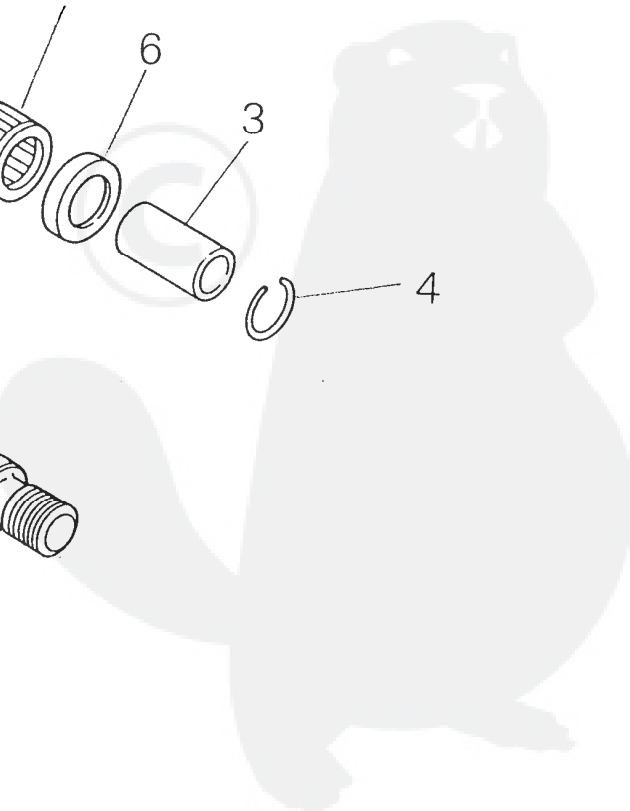
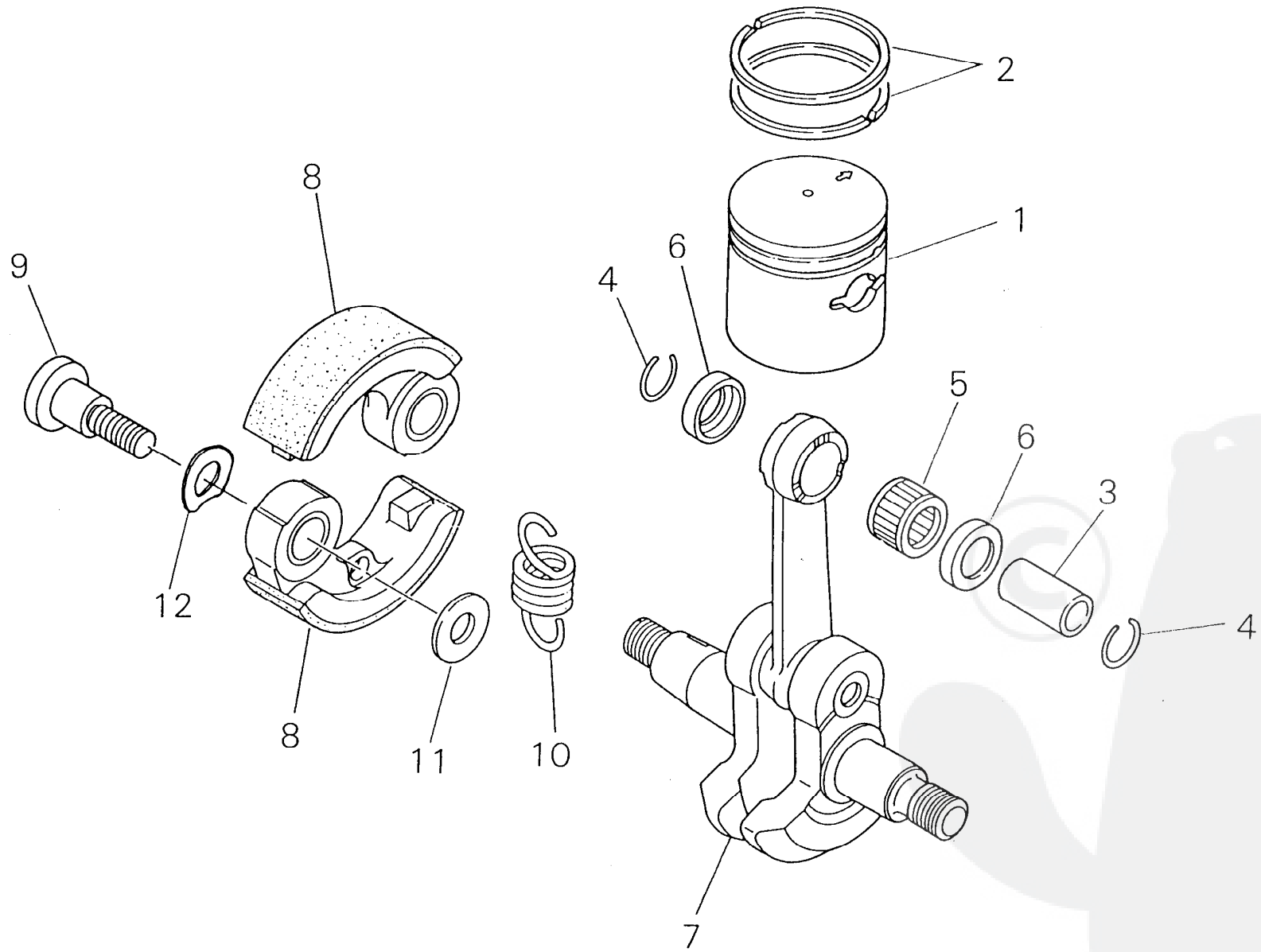
Ref. No	Part No.	Part Name	Q`ty
1- 1	20016-12112	CYLINDER	1
2	20016-12120	GASKET	1
3	01020-05250	BOLT	2
4	20016-12212	INSULATOR	1
5	20016-12220	GASKET	1
6	01500-05041	NUT	2
7	11022-05300	BOLTSW	2
9	20018-15110	MUFFLER	1
10	20016-15122	GASKET	1
11	01020-05500	BOLT	2
12	01610-05080	WASHER	2
13	01020-05120	BOLT	1





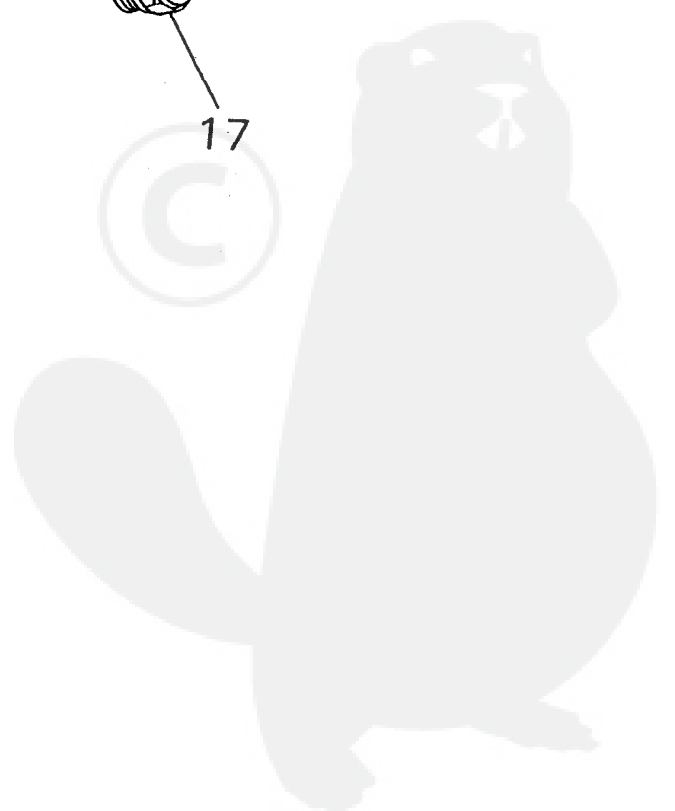
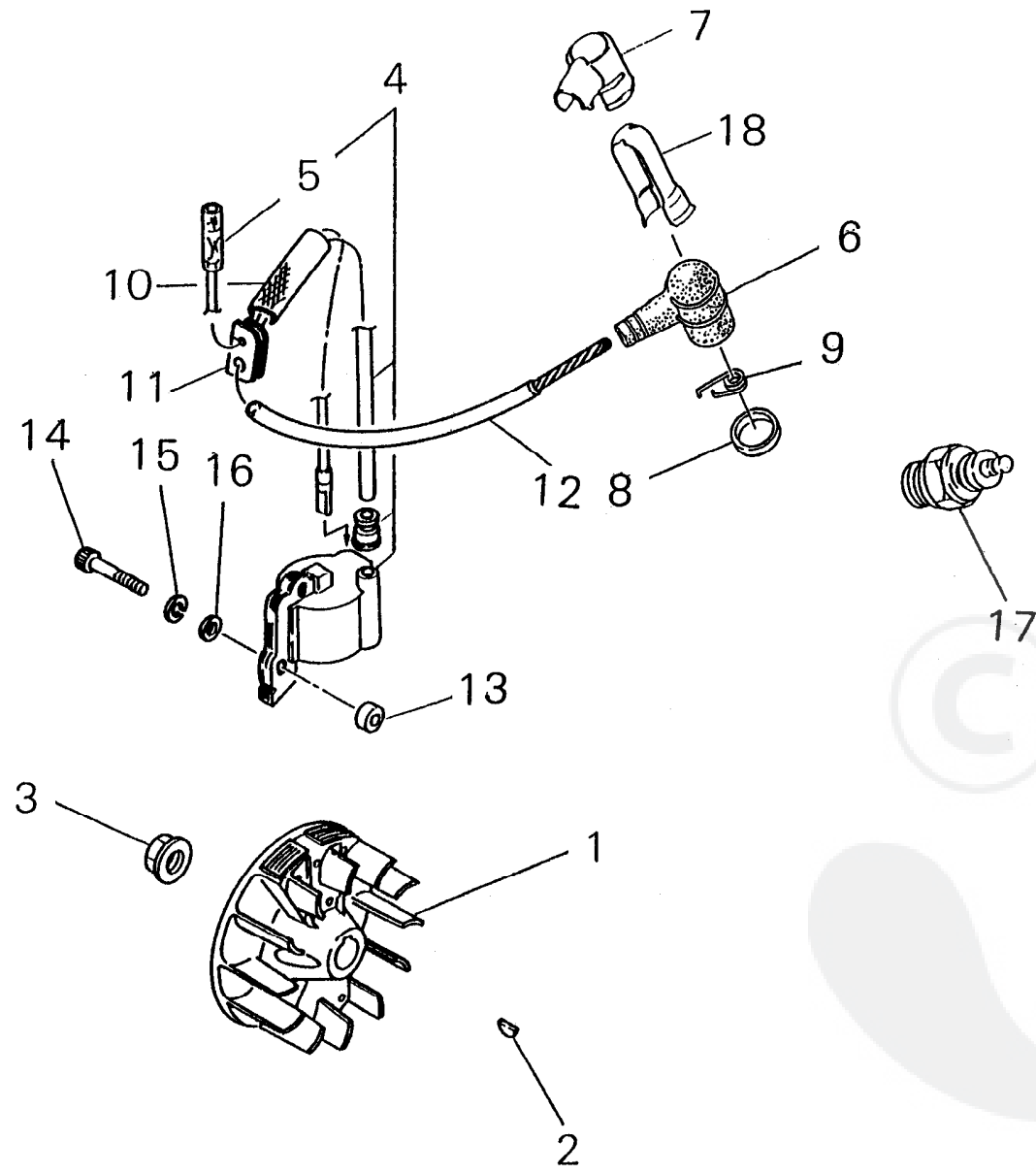
2- 1	20016-21100	CRANKCASESCOMP	1
2	20016-21111	*CRANKCASES	1
3	12900-60010	*BEARING	1
4	22150-21250	*OILSEAL	1
5	20016-21200	CRANKCASEMCOMP	1
6	20016-21120	*CRANKCASEM	1
7	12492-40080	*ROLLER	2
8	12900-60010	*BEARING	1
9	20000-21211	*OILSEAL	1
10	01020-05250	BOLT	3
11	70140-31103	FANCOVERSUBASSY	1
12	70140-31113	*FANCOVER	1
13	20087-31210	*CLUTCHDRUM	1
14	22000-13320	*SNAPRING	1
15	02002-06000	*BEARING	2
16	02432-26120	*SNAPRING	1
17	70140-31130	*CUSHION	1
18	20018-31410	JOINT	1
19	20018-31420	FRONTCUSHION	1
20	20018-31430	REARCUSHION	1
21	11023-05250	BOLT SW	1
22	20018-31460	SHIM	1
23	70135-31470	CAP	1
24	11022-05160	BOLTSPW	4
25	11022-05350	BOLTSPW	2
26	11022-05160	BOLTSPW	2
27	70140-32111	CYLINDERCOVER	1
28	70192-32120	LABELTRADE	1
29	20018-31251	KNOB	1
30	20018-31260	INSULATOR	1
31	20018-31270	CLIP	1
32	20024-81790	CONEWASHER	1
33	70192-31510	EARTHCORD	1



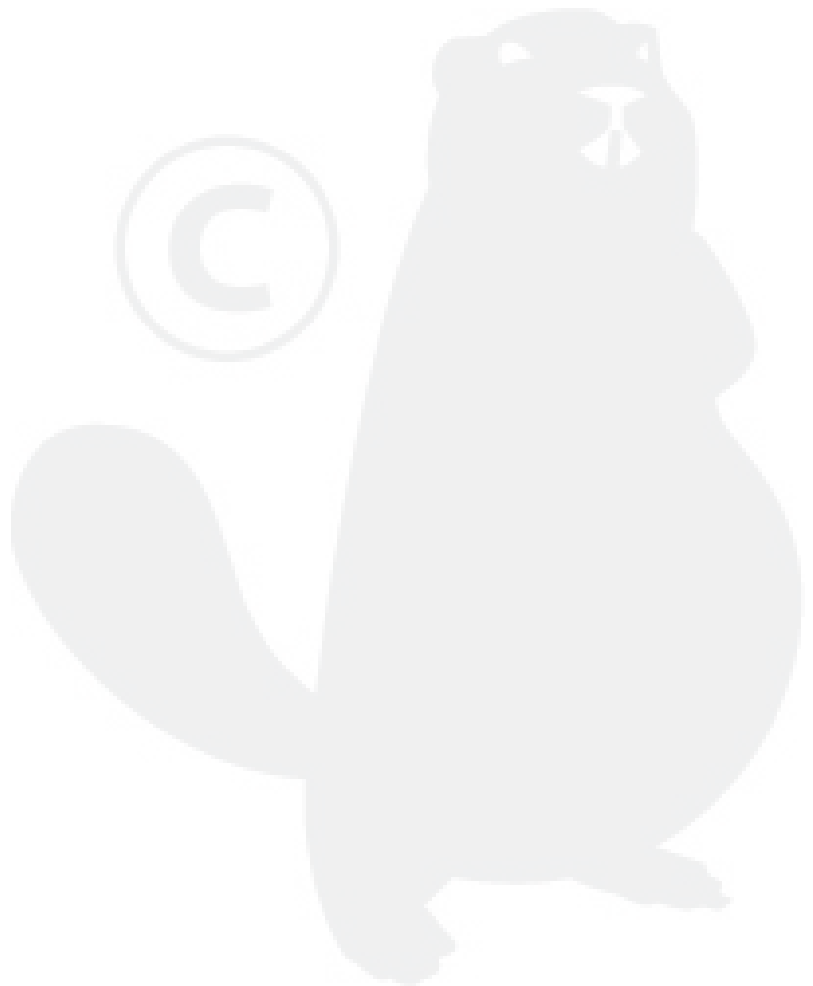


3- 1	20075-41110	PISTON	1
2	20000-41210	PISTONRING	2
3	20016-41310	PISTONPIN	1
4	70030-41320	SNAPRING	2
5	20016-41330	NEEDLEBEARING	1
6	20016-41340	THRUSTWASHER	2
7	20016-42002	CRANKSHAFTASSY	1
	70140-51102	CLUTCHSHOEASSY	1
8	70140-51111	*CLUTCHSHOE	2
9	20087-51210	*BOLT	2
10	70140-51220	*CLUTCHSPRING	1
11	22100-71430	*WASHER	2
12	70140-51230	*SPRINGPLATE	2

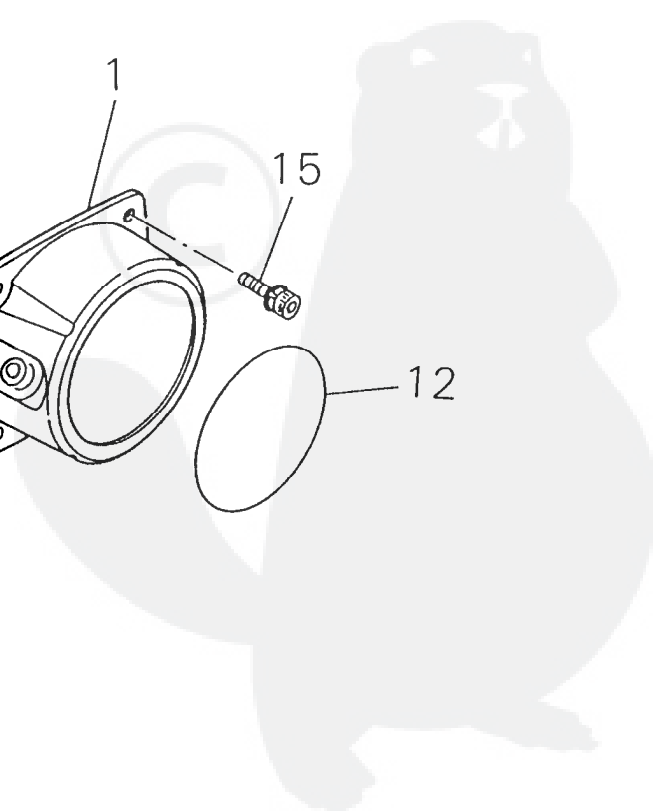
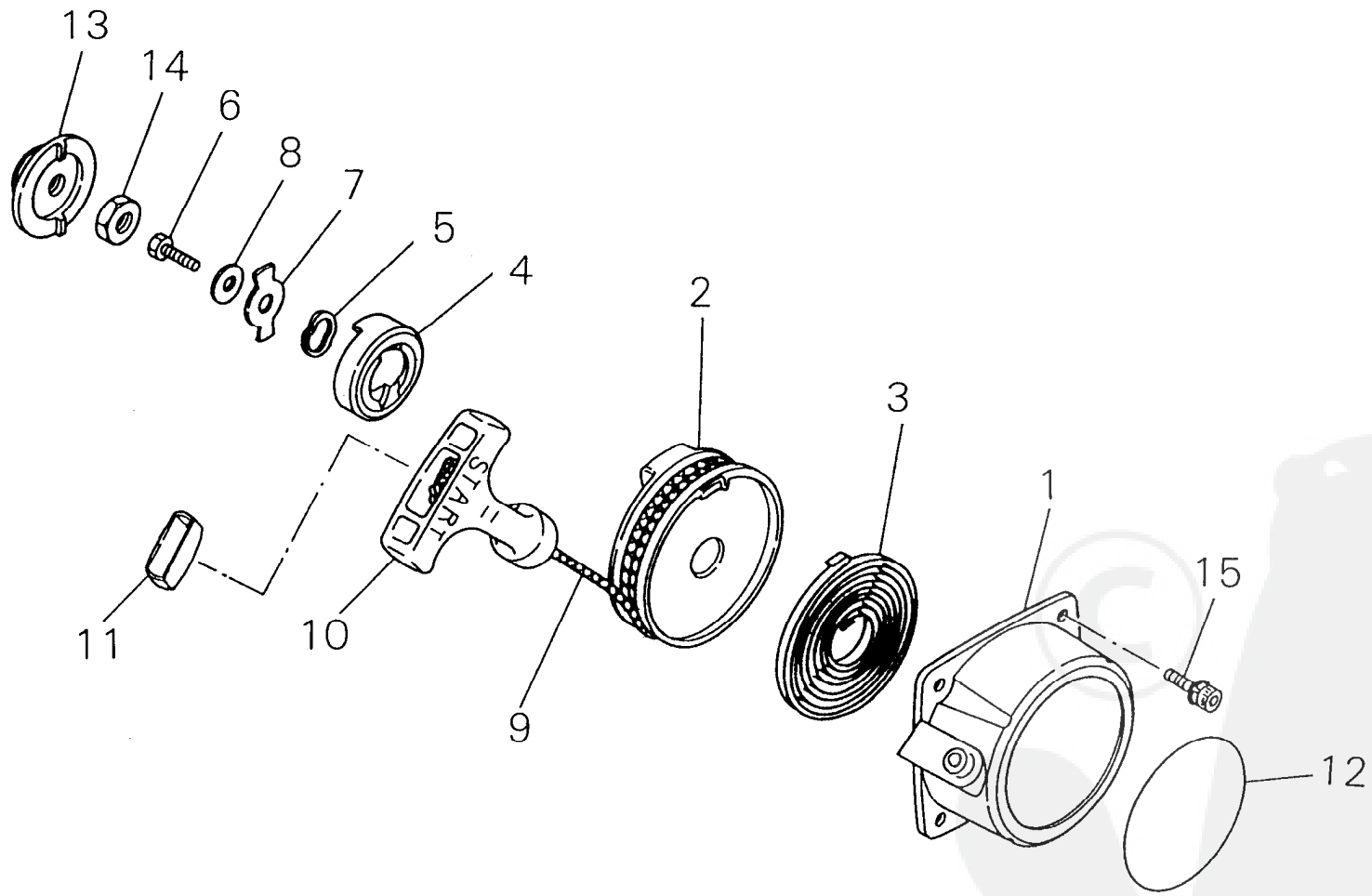




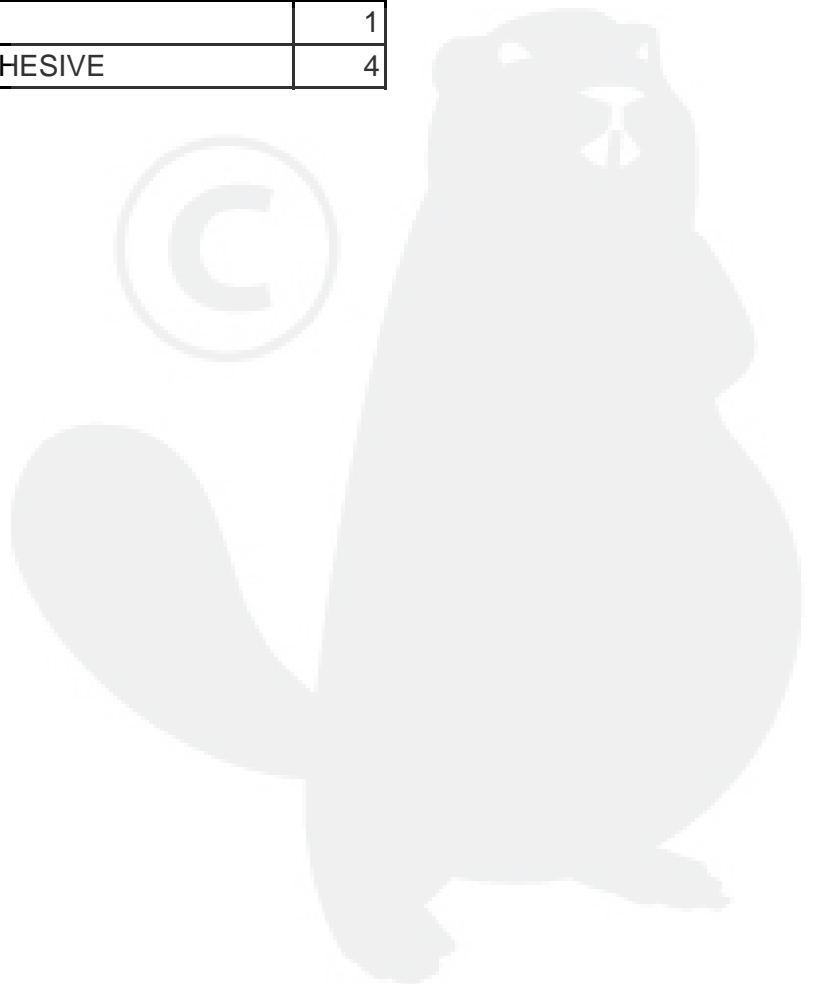
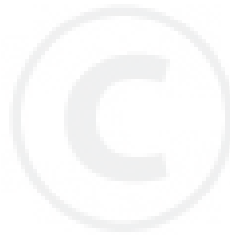
4- 1	20016-71200	ROTOR	1
2	02403-03100	KEY	1
3	20035-71220	NUT	1
4	20016-71601	COILASSY	1
5	20016-71641	*CORD	1
6	20010-72221	PLUGCAP	1
7	20000-72241	PLUGCAPCOVER	1
8	20000-72250	COVERBAND	1
18	70180-72260	SHIELD	1
9	20000-72230	SPRINGSPARKPLUG	1
10	20016-71651	TUBE	1
11	20010-72110	GROMMET	1
12	20016-71660	TUBE	1
13	70030-71620	INSULATOR	2
14	01020-04260	BOLT	2
15	01600-04101	SPRINGWASHER	2
16	01613-04080	WASHER	2
17	13000-13406	SPARKPLUGBMR6A	1

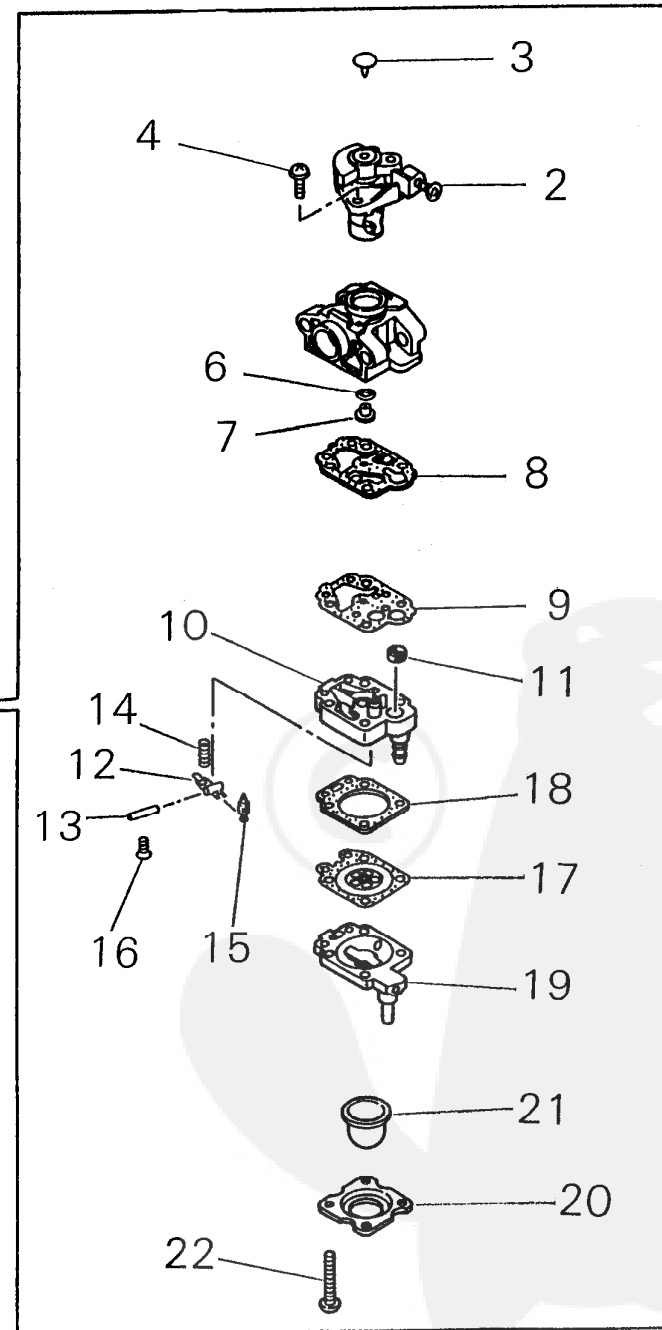
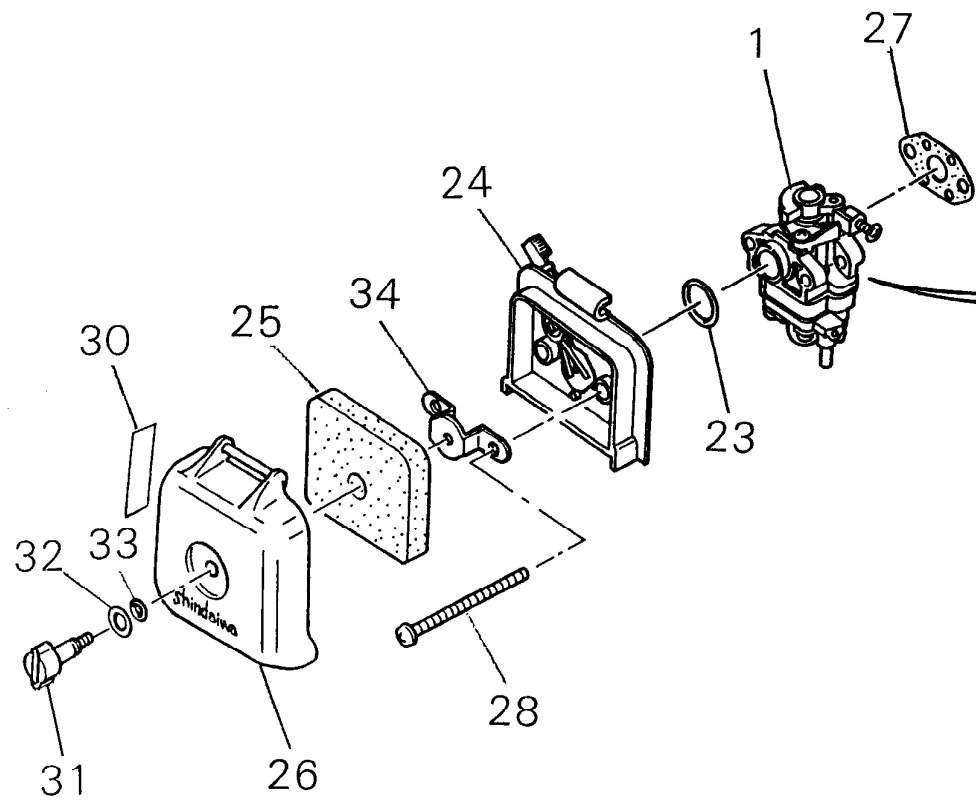




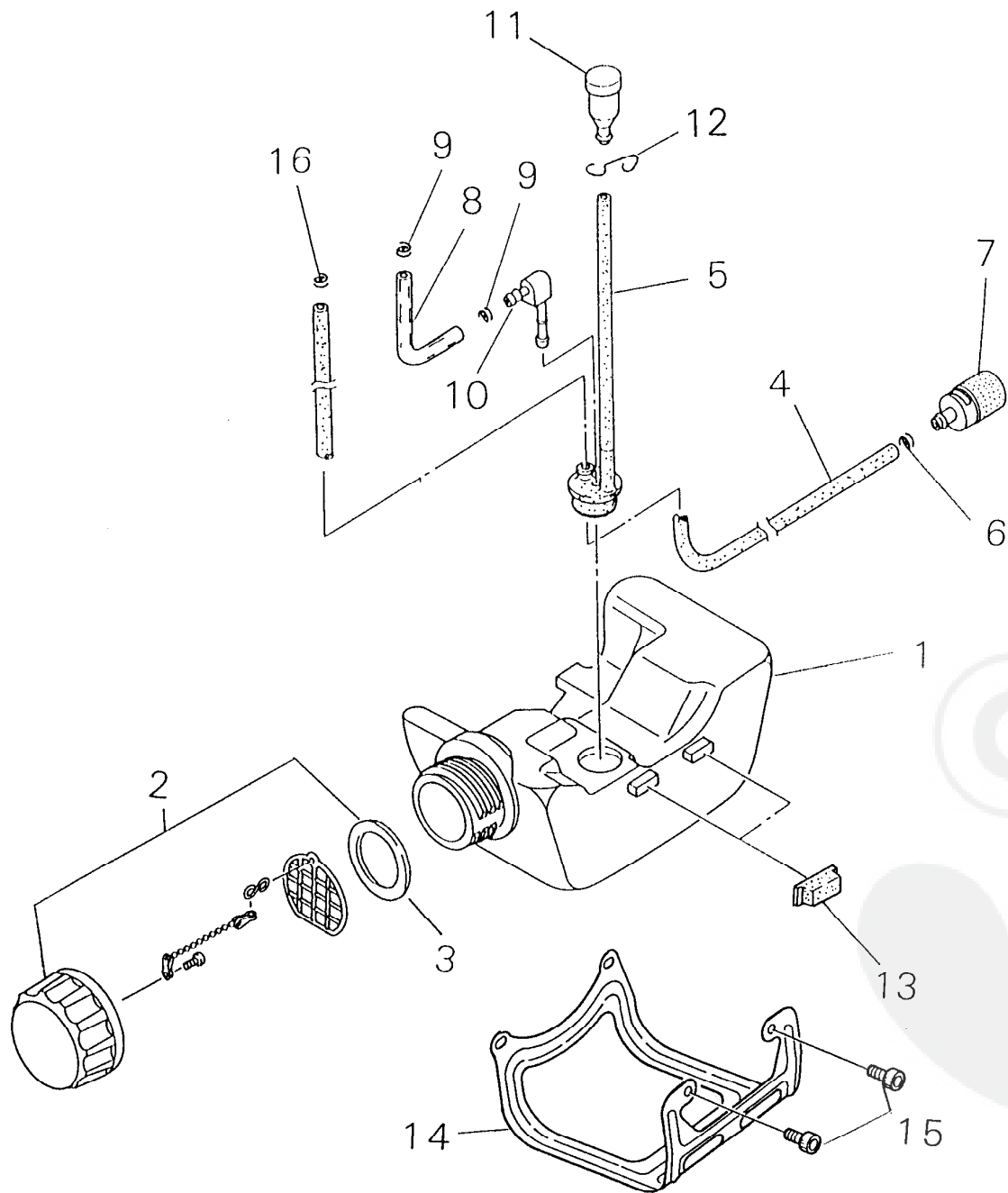


5-	72933-75101	RECOILSTARTERSUBASSY	1
1	70064-75110	*STARTERCASE	1
1	20064-75110	*STARTERCASE	1
2	72933-75120	*REEL	1
2	20064-75120	*REEL	1
3	70064-75130	*RECOILSPRING	1
3	20140-75130	*SPRING	1
4	72933-75140	*DOG	1
4	20140-75140	*DOG	1
5	70064-75150	*WAVEWASHER	1
5	20140-75150	*BRAKESPRING	1
6	72933-75160	*SCREW	1
6	20140-75160	*SCREW	1
7	72933-75170	*RETAINER	1
7	20140-75170	*RETAINER	1
8	72933-75180	*WASHER	1
8	20140-75180	*WASHER	1
9	70064-75190	*ROPE	1
9	32004-75140	*ROPE	1
10	32004-75150	*KNOB	1
10	72933-75210	*HANDLE	1
12	70064-75250	*NAMEPLATE	1
13	70064-75310	STARTERPULLEY	1
14	01511-08051	NUT	1
15	11060-04122	BOLTADHESIVE	4

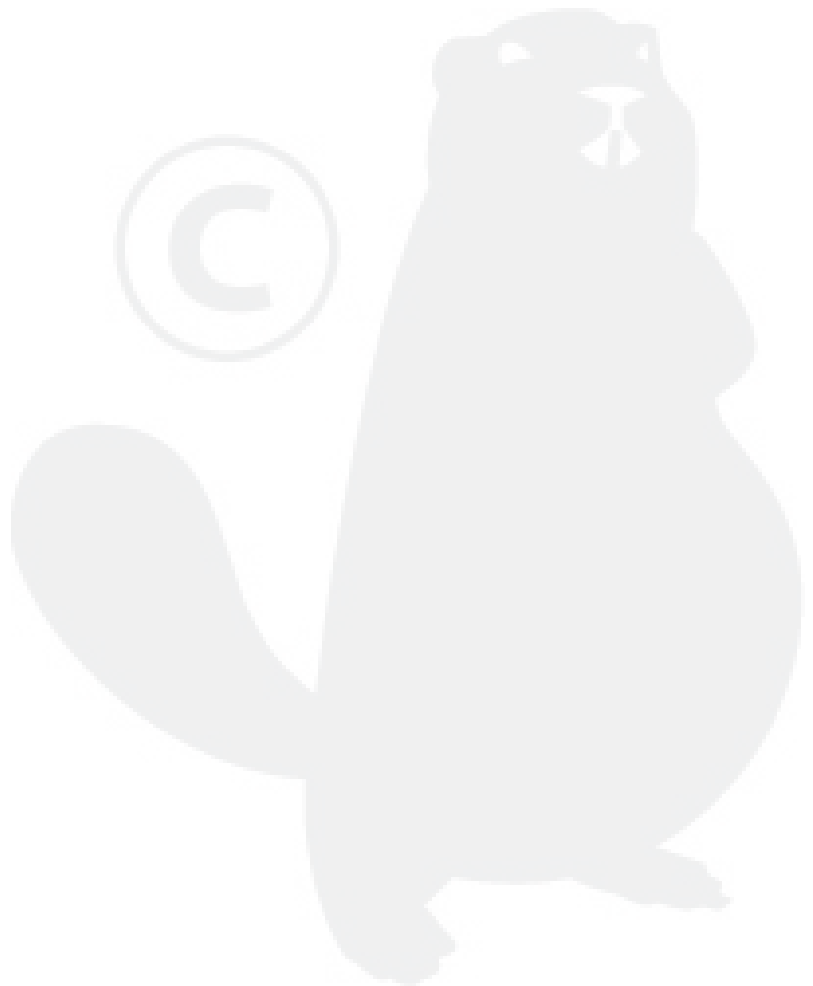


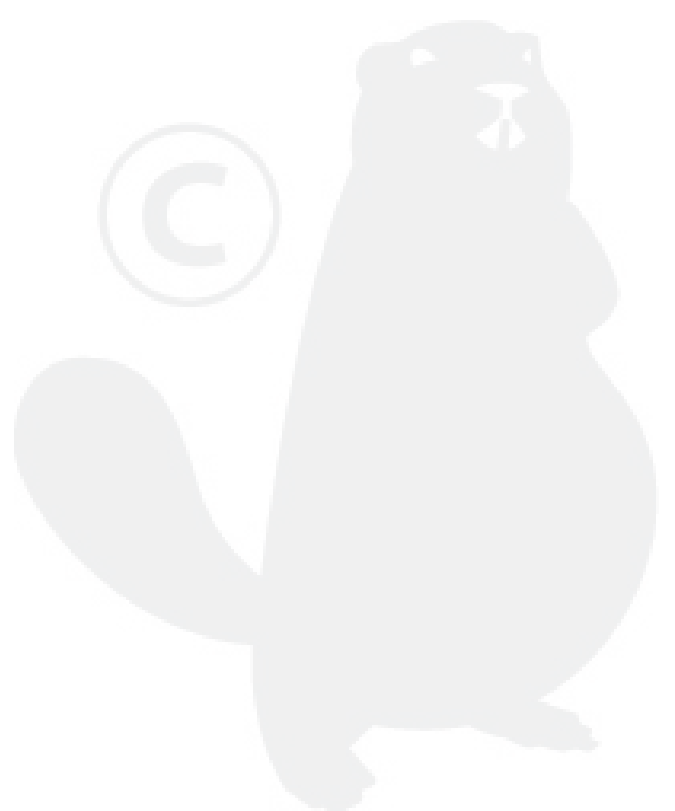
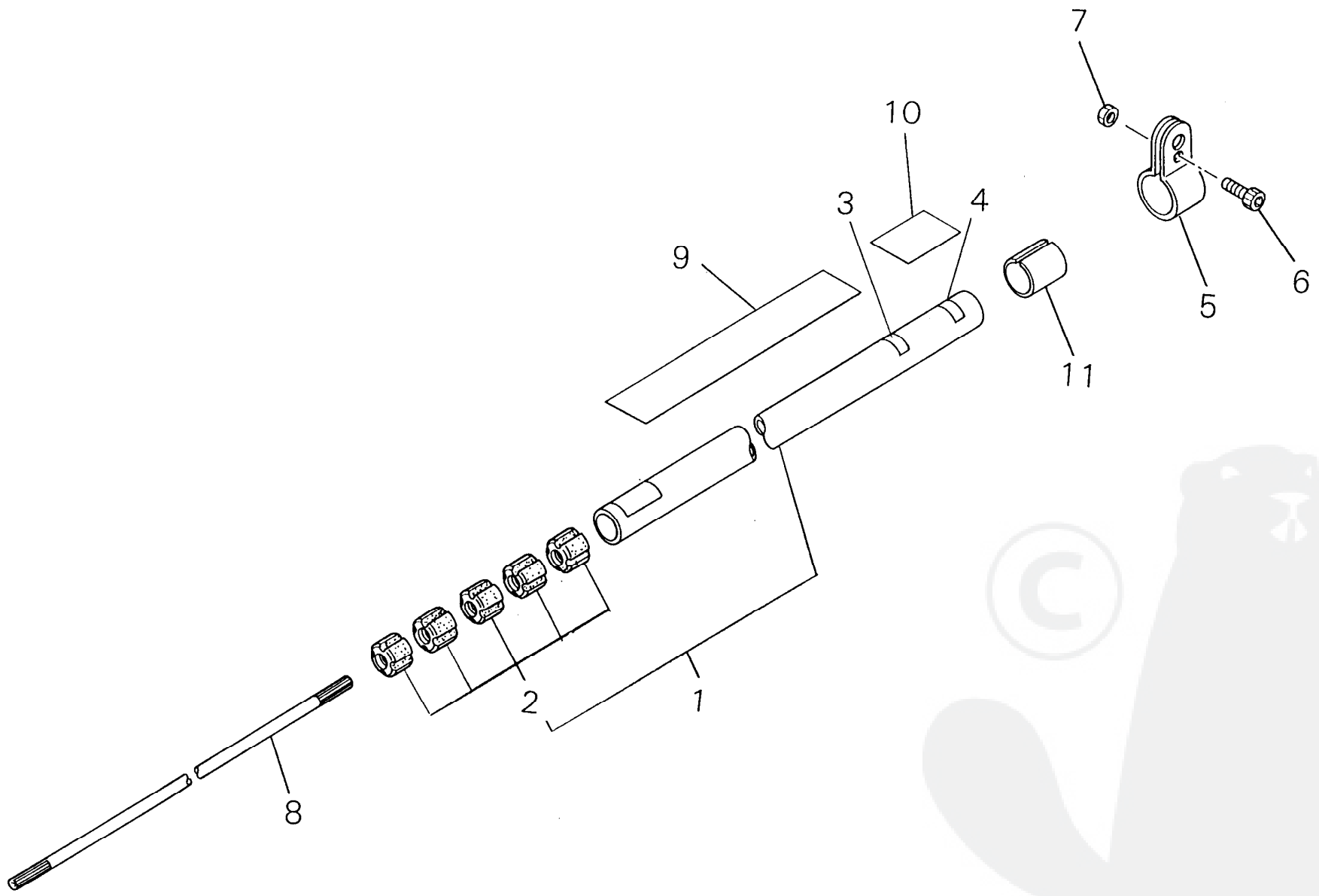


6-1	20016-81021	CARBURETORBODYASSY	1
2	20016-81180	*VALVEASSY	1
3	22154-81270	*PLUG	1
4	70064-81290	*SCREW	2
6	70097-81220	*ORING	1
7	70064-81230	*MAINJET	1
8	70097-81310	*GASKETPUMP	1
9	70097-81320	*DIAPHRAGM	1
10	20016-81410	*PUMPBODYCOMP	1
11	70030-81380	**SCREEN	1
12	22100-81230	**LEVER	1
13	22100-81250	**PIN	1
14	20016-81270	**SPRING	1
15	20036-81440	**NEEDLEVALVE	1
16	20016-81450	**SCREW	1
17	22100-81260	*DIAPHRAGMASSY	1
18	20016-81280	*GASKET	1
19	20016-81420	*PUMPBASECOMP	1
20	20016-81510	*PUMPCOVER	1
21	70029-81480	*PRIMINGPUMP	1
22	20016-81140	*SCREW	4
23	20016-81250	ORING	1
24	70140-81710	CLEANERBODYCOMP	1
25	20018-81750	FILTER	1
26	70140-81760	CLEANERCOVER	1
31	20115-81780	KNOBCLEANERCOVER	1
32	22100-82430	ORING	1
33	20024-81790	CONEWASHER	1
34	20018-81721	BACKPLATE	1
27	20016-81530	GASKET	1
28	70140-81810	SCREWPM5X67	2
30	19404-00008	LABELCHOKE	1
	20016-81910	GASKETKIT	1
8	70097-81310	*GASKETPUMP	1
18	20016-81280	*GASKET	1
	70097-81920	DIAPHRAGMKIT	1
9	70097-81320	*DIAPHRAGM	1
17	22100-81260	*DIAPHRAGMASSY	1



7- 1	20016-85112	FUELTANK	1
2	70168-85201	FUELCPASSY	1
3	20000-85221	*GASKET	1
4	70064-85311	FUELPIPE	1
5	20089-85350	GROMMET	1
6	20020-85540	CLIP	2
7	20016-85400	FUELFILTER	1
8	20089-83311	PIPE	2
16	37013-85310	CLIP	1
9	20020-85540	CLIP	1
10	20087-85340	JOINT	1
11	20035-85522	VALVE	1
12	20016-12310	VALVEHOLDER	1
13	20024-86120	TANKCUSHION	4
14	70135-86130	TANKGUARD	1
15	11022-05120	BOLTSPW	2

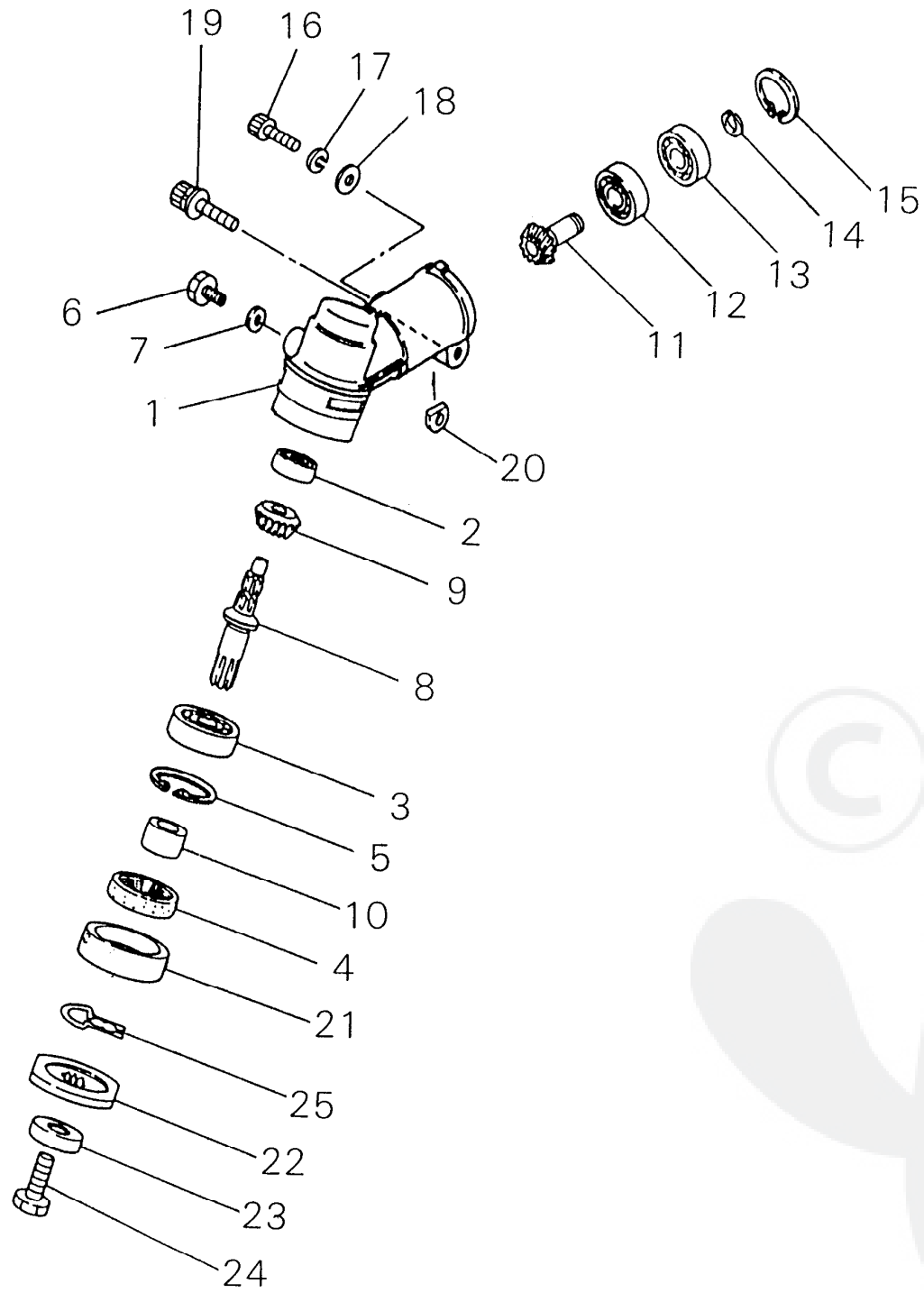




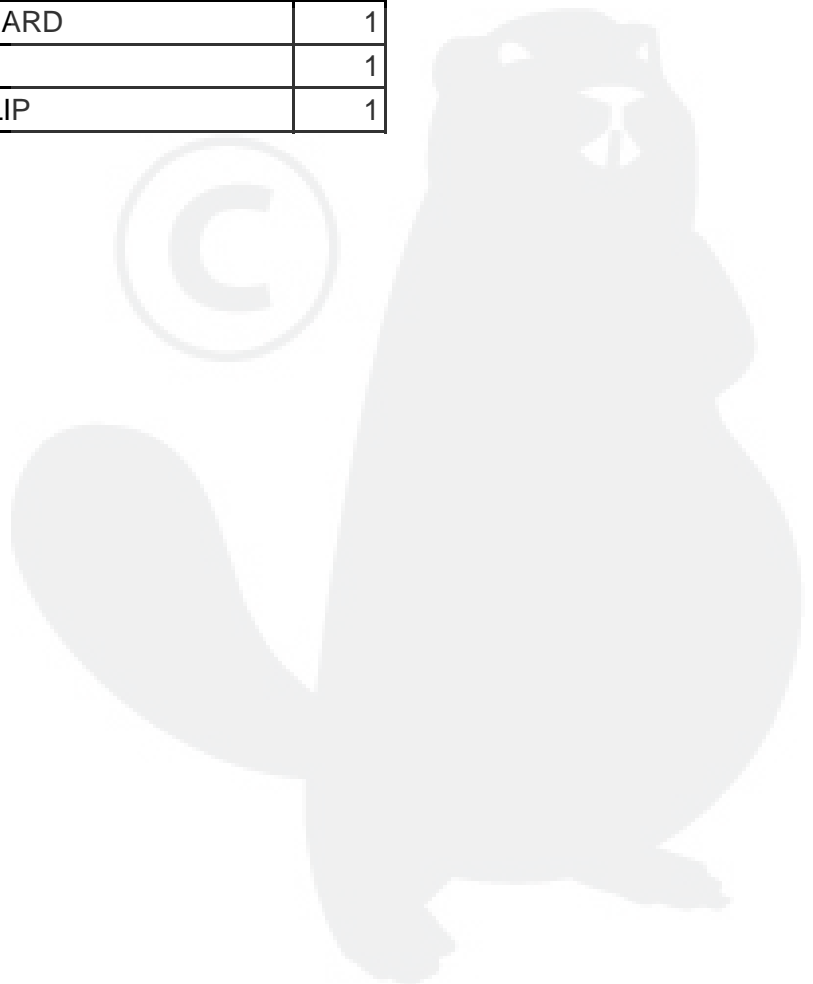
8- 1	72432-12100	OUTERPIPECOMP	1
2	22035-12120	*BUSH	5
3	72017-12150	HANDLELABEL	1
4	72005-12140	CAUTIONPLATE	1
5	22410-12210	HANGER	1
6	01020-05120	BOLT	1
7	01500-05041	NUT	1
8	22070-12410	MAINSHAFT	1
9	19422-00010	LABELCAUTION	1
10	19402-00223	LABELCAUTION	1
11	22036-14130	SPACER	1

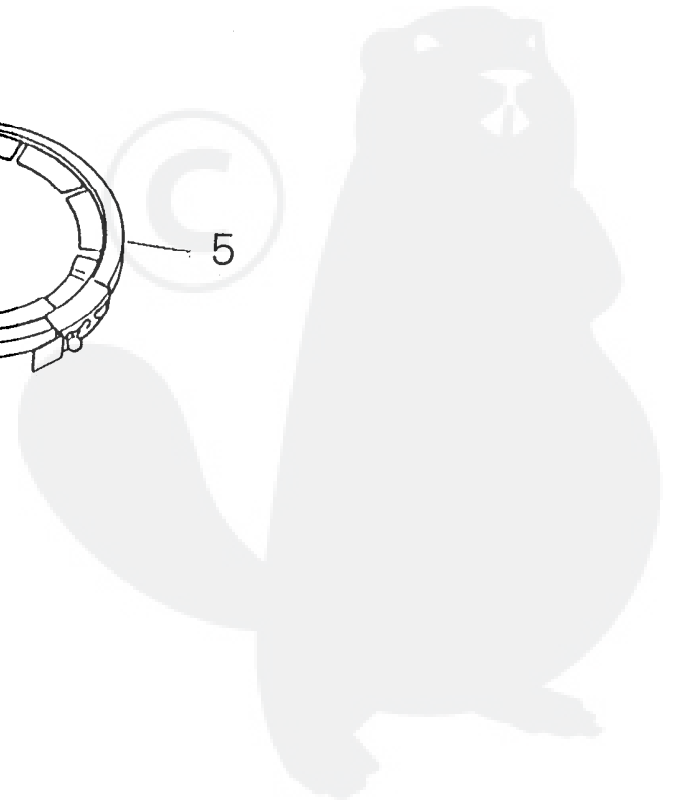
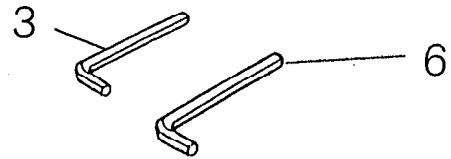
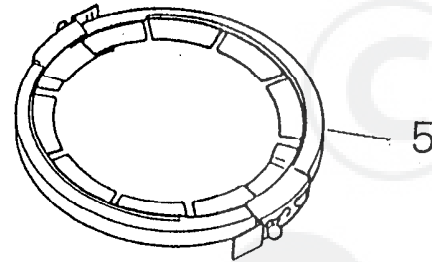
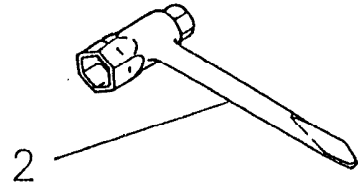
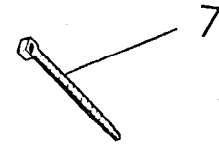
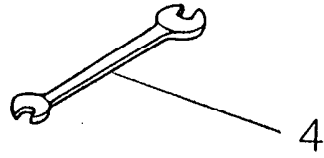
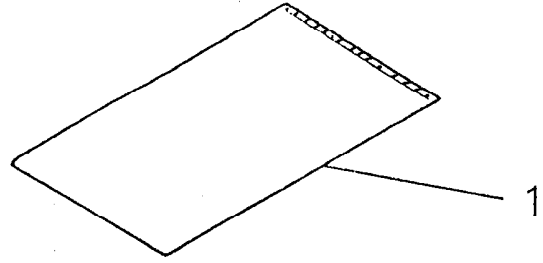




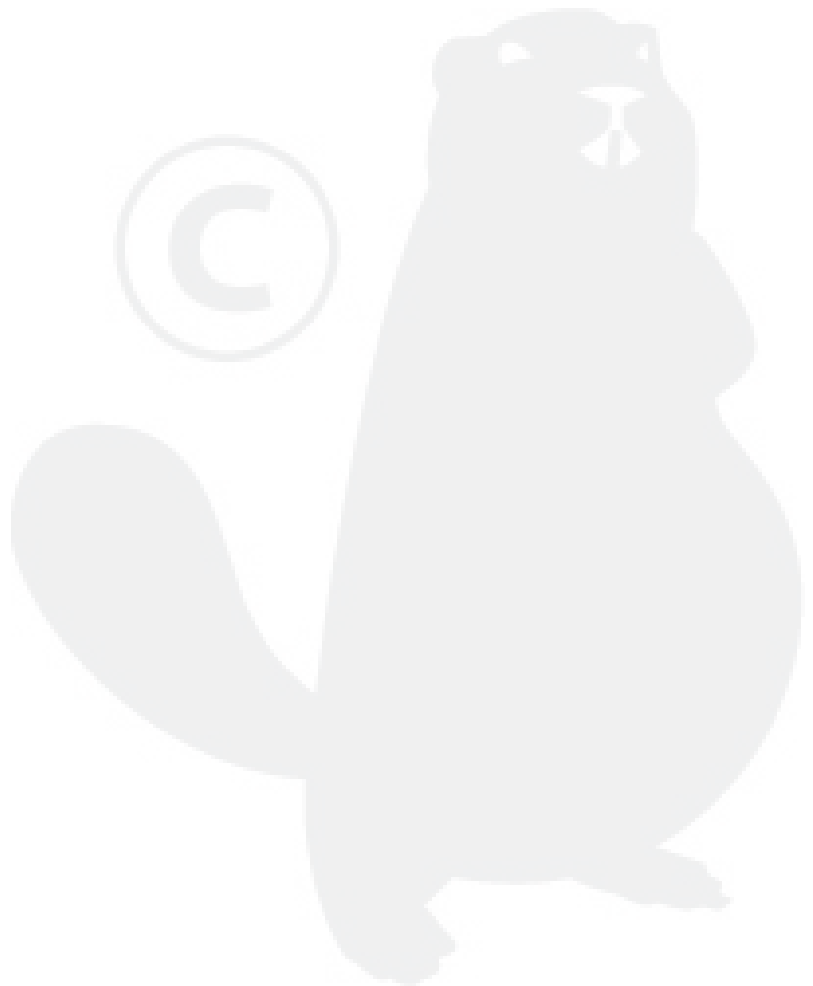


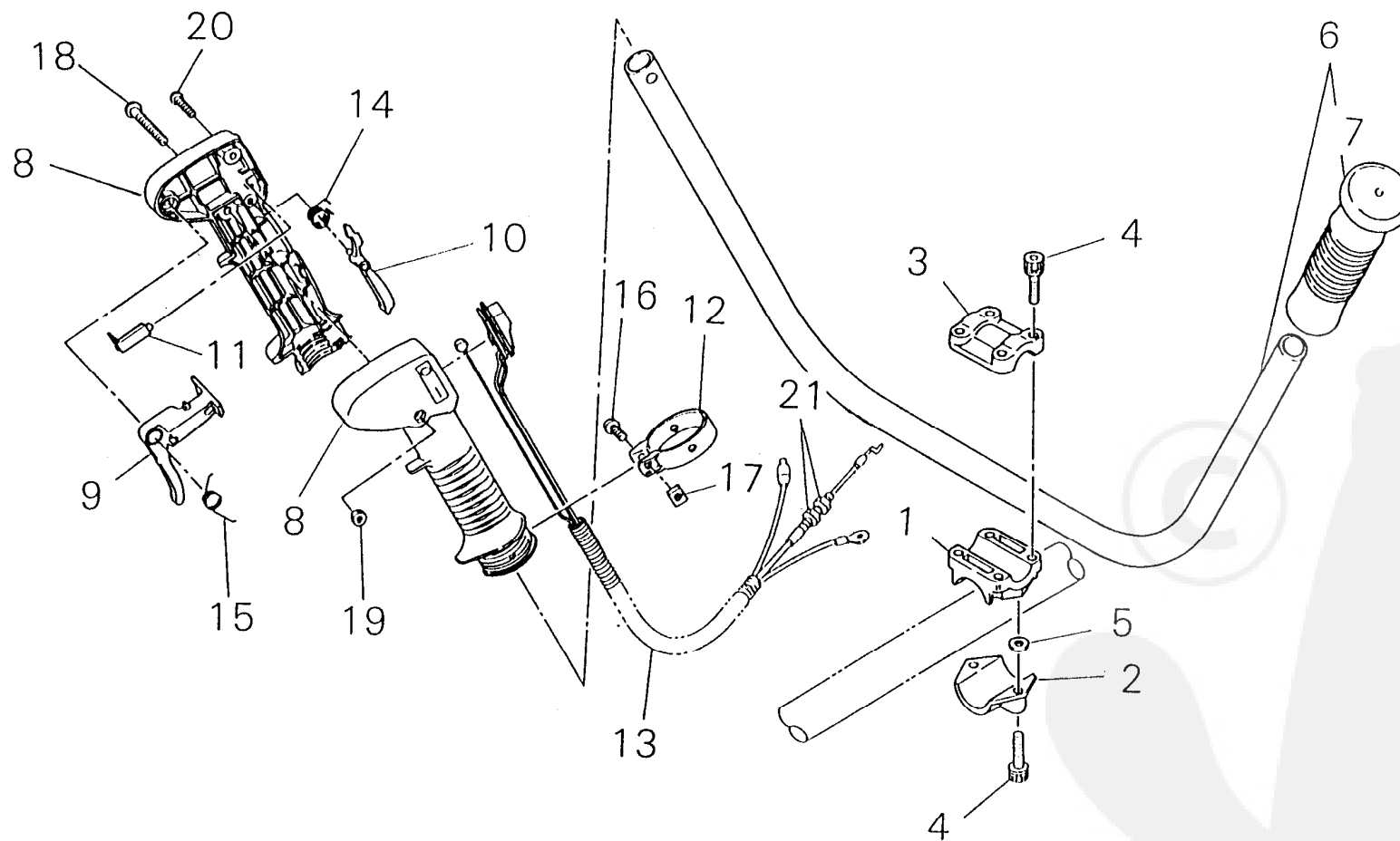
9-	22410-13011	GEARCASESUBASSY	1
1	22035-13113	*GEARCASE	1
2	02006-00626	*BEARING	1
3	02000-06000	*BEARING	1
4	22035-13140	*OILSEAL	1
5	02432-26120	*SNAPRING	1
6	01014-06100	*BOLT	1
7	22000-13410	*GASKET	1
8	22410-13210	*GEARSHAFT	1
9	22035-13220	*BEVELGEAR	1
10	22035-13230	*COLLAR	1
11	22035-13391	*PINIONSET	1
12	02000-00608	*BEARING	1
13	02002-00608	*BEARING	1
14	22035-13340	*SNAPRING	1
15	02432-22100	*SNAPRING	1
16	01020-05120	*BOLT	1
17	01600-05131	*SPRINGWASHER	1
18	01610-05080	*WASHER	1
19	11023-05250	*BOLTSW	1
20	22000-13420	*SHIM	1
21	22035-13242	HOLDERA	1
22	22410-13251	HOLDERB	1
23	22035-13290	BOLTGUARD	1
24	22035-13271	BOLT	1
25	22410-13530	SLIDECLIP	1



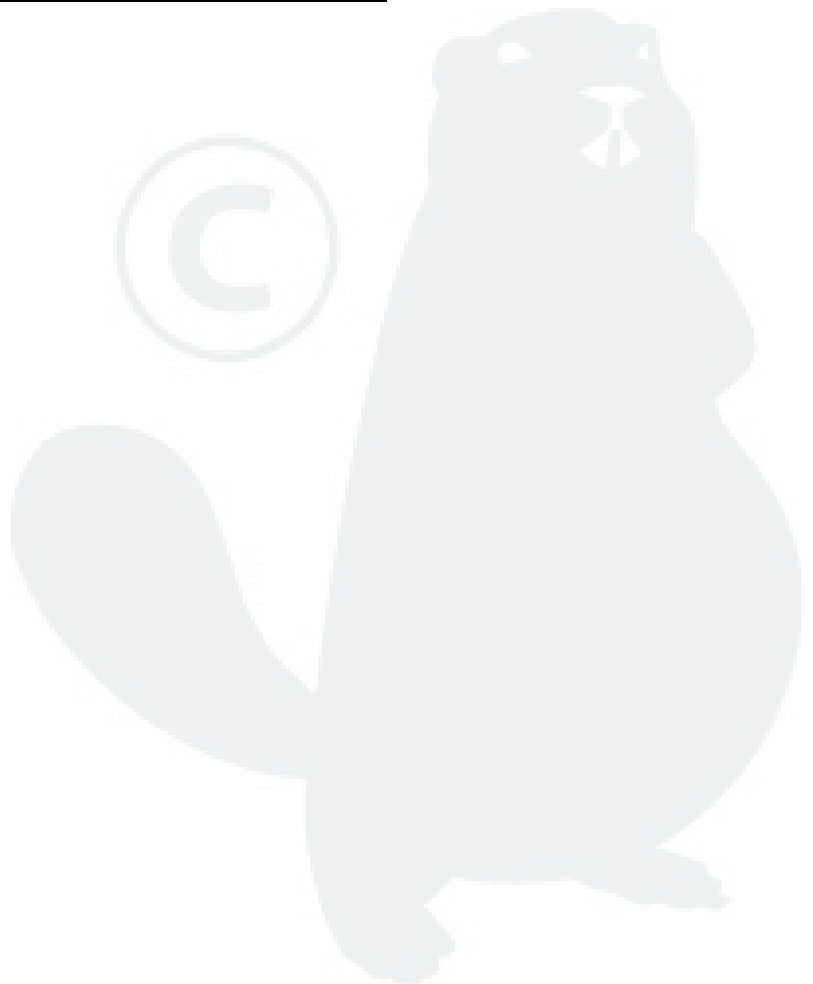


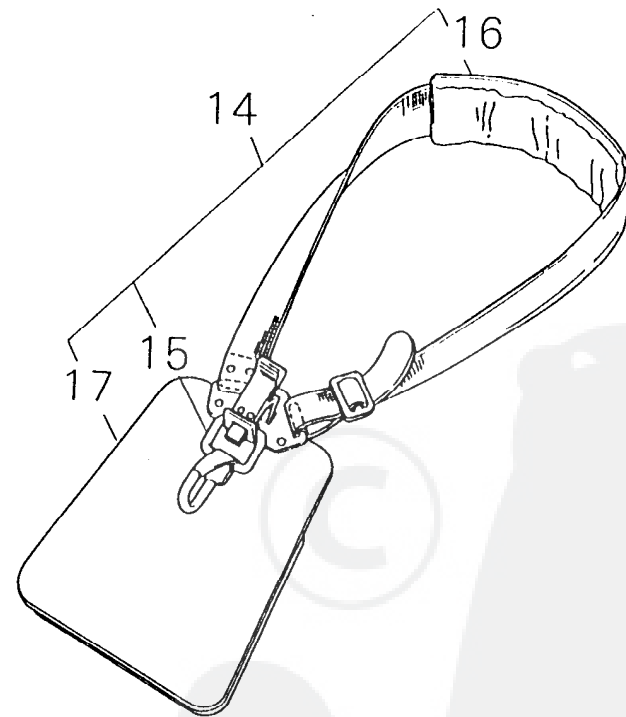
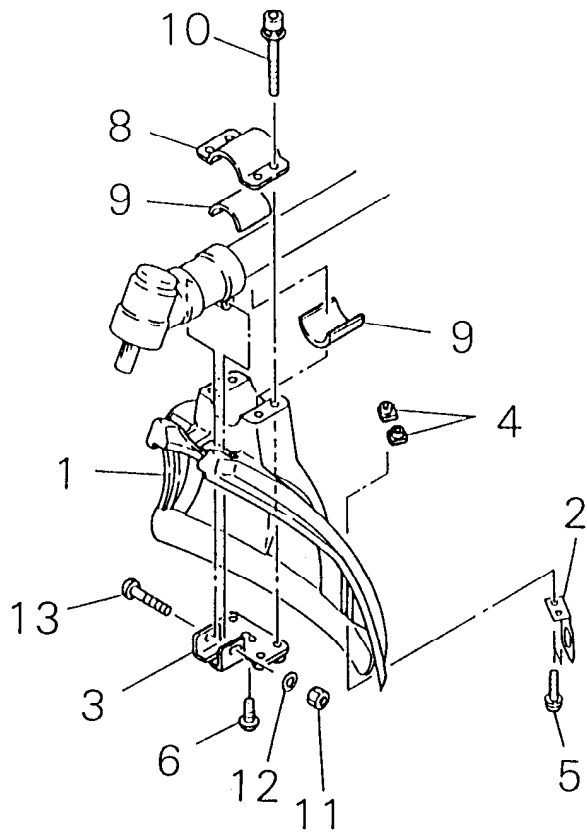
10-	72528-91001	TOOLSET	1
1	19639-01100	*POLYBAG	1
2	22000-91181	*PLUGWRENCH	1
3	09026-04001	*HEXAWRENCH	1
4	22000-91120	*SPANNER	1
6	09026-05001	*HEXAWRENCH	1
7	72431-12190	*BAND	2
5	19601-00300	BLADECOVER	1





11-	72091-14100	BRACKETSUBASSY	1
1	72051-14110	*HANDLEBRACKET	1
2	72051-14120	*LOWERCAP	1
3	72051-14131	*UPPERCAP	1
4	11022-05250	*BOLTSPW	6
5	01610-05080	*WASHER	1
6	72431-14200	HANDLESUBASSY	1
7	22421-14230	*GRIP	1
	72528-14503	THROTTLELEVERASSY	1
8	72431-14600	*BODYSUBASSY	1
9	72451-14530	*LEVER	1
10	72451-14540	*LOCKLEVER	1
11	72451-14550	*BUTTON	1
12	72451-14560	*CLAMP	1
13	72528-14572	*THROTTLECABLECOMP	1
14	72451-14580	*RETURNSPRING	1
15	72451-14590	*SPRING	1
16	01020-06200	*BOLT	1
17	72451-14610	*NUT	1
18	11203-05351	*SCREWPM	1
19	72451-14630	*NUT	1
20	72451-14620	*SCREWTAPPING	1
21	01501-06041	NUT	2

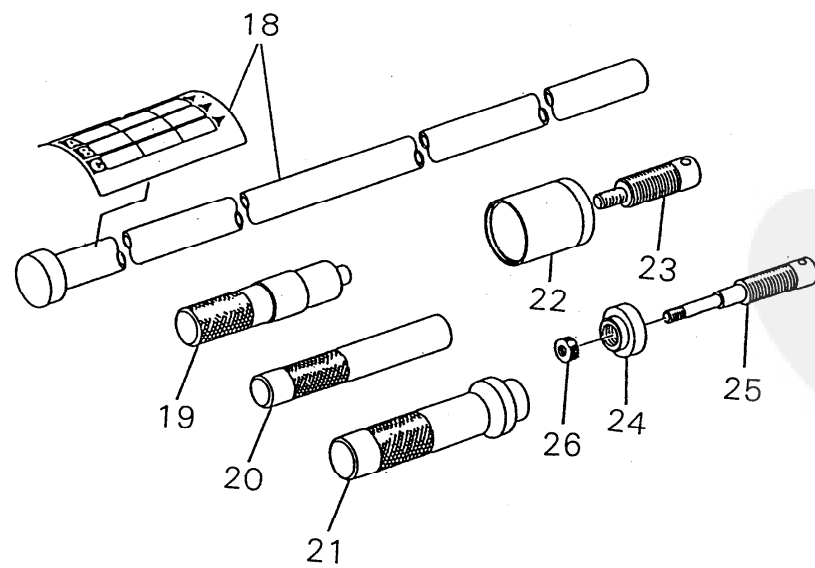
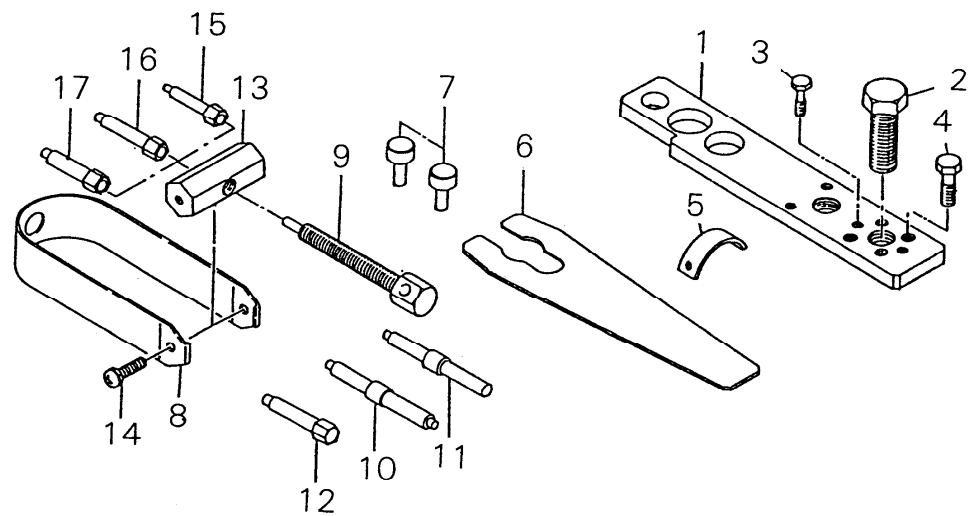




12- 1	72480-16113	GUARD	1
2	72480-16121	CUTTER	1
3	72480-16130	LOWERCLAMP	1
4	22420-16120	NUT	2
5	11020-05160	BOLTSPW	2
6	11022-04100	BOLTSPW	1
8	72480-16210	UPPERCLAMP	1
9	72480-16220	SPACER	2
10	11022-05500	BOLTSPW	1
11	01500-05041	NUT	1
12	01613-05080	WASHER	1
13	11022-05350	BOLTSPW	1
14	72474-17201	STRAPASSY	1
15	22020-17130	*HOOK	1
16	22007-17220	*PROTECTOR	1
17	72451-17262	PAD	1







13-	20000-96104	PULLERASSY	1
1	20000-96114	*LEVER	1
2	22100-96121	*CENTERBOLT	1
3	20000-96130	*BOLT	3
4	20000-96140	*BOLT	2
5	20000-96210	AIRGAPGAUGE	1
6	20000-96411	ROTORSPANNER	1
7	20021-96420	STOPPER	1
	20021-96601	PULLERASSY	1
8	20021-96611	*PULLER	1
9	20021-96621	*BOLT	1
10	20000-96631	*GUIDEPIN	1
11	20035-96630	*GUIDEPIN	1
12	20021-96630	*GUIDEPIN	1
13	20000-96640	*BOSS	1
14	01211-06120	*SCREWSW	2
15	20021-96650	*PINADAPTER	1
16	20021-96660	*PINADAPTER	1
17	20021-96670	*PINADAPTER	1
18	22000-96101	RODBUSHINGASSY	1
19	22035-96210	ROD626DDU	1
20	22035-96310	ROD608ZZ	1
21	22035-96410	ROD6000	1
	22035-96500	PULLERSUBASSY	1
22	22035-96510	*PULLER	1
23	22035-96520	*BOLT	1
	22035-96600	PULLERSUBASSY	1
24	22035-96610	*HOLDER	1
25	22000-96621	*BOLT	1
26	22000-96630	*NUT	1

