

shindaiwa

PARTS PRICE LIST

C 2 3

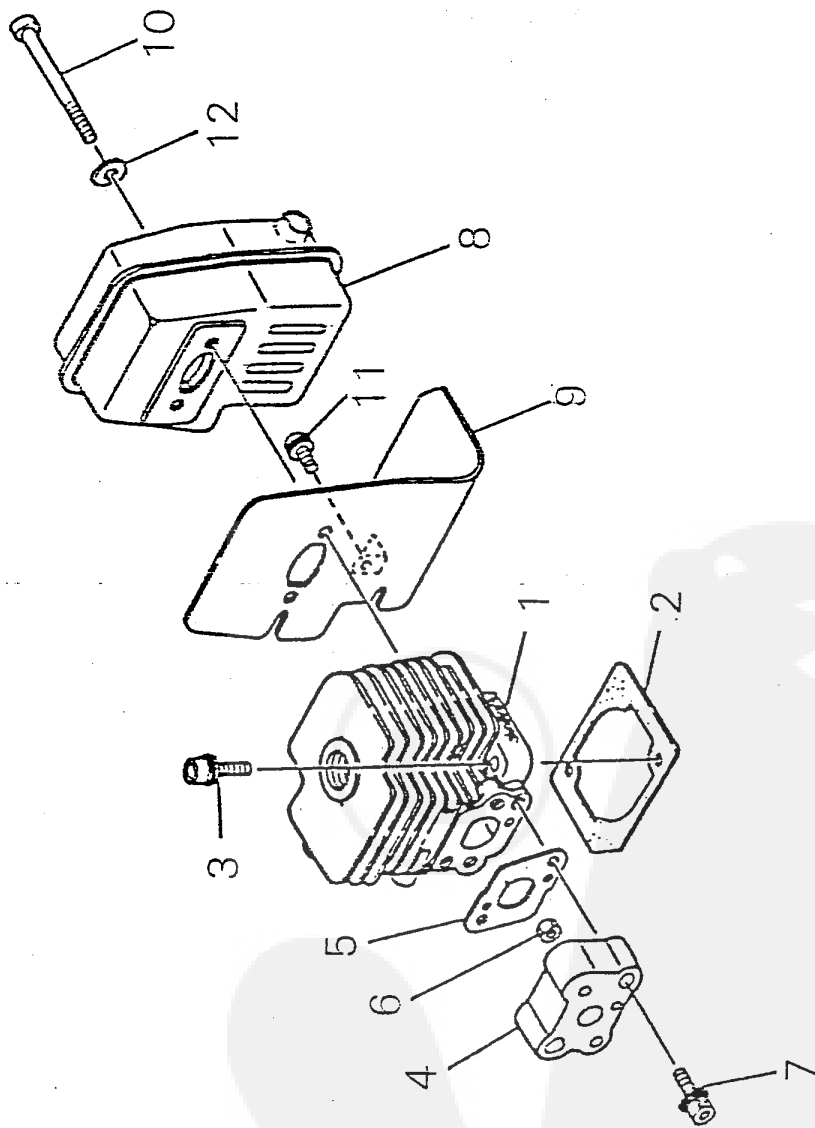


SHIN-DAIWA KOGYO CO., LTD.

35, Ooaza Shin-Ujigami, Chiyoda-cho Yamagata-gun, Hiroshima, 731-14 Japan
Telephone (082672) 6011 Telex 665871 SDKHIR Fax (082672) 6001, 6002

Cable Address SHINDAIWA HIROSHIMA

JUN. - 6. 1991

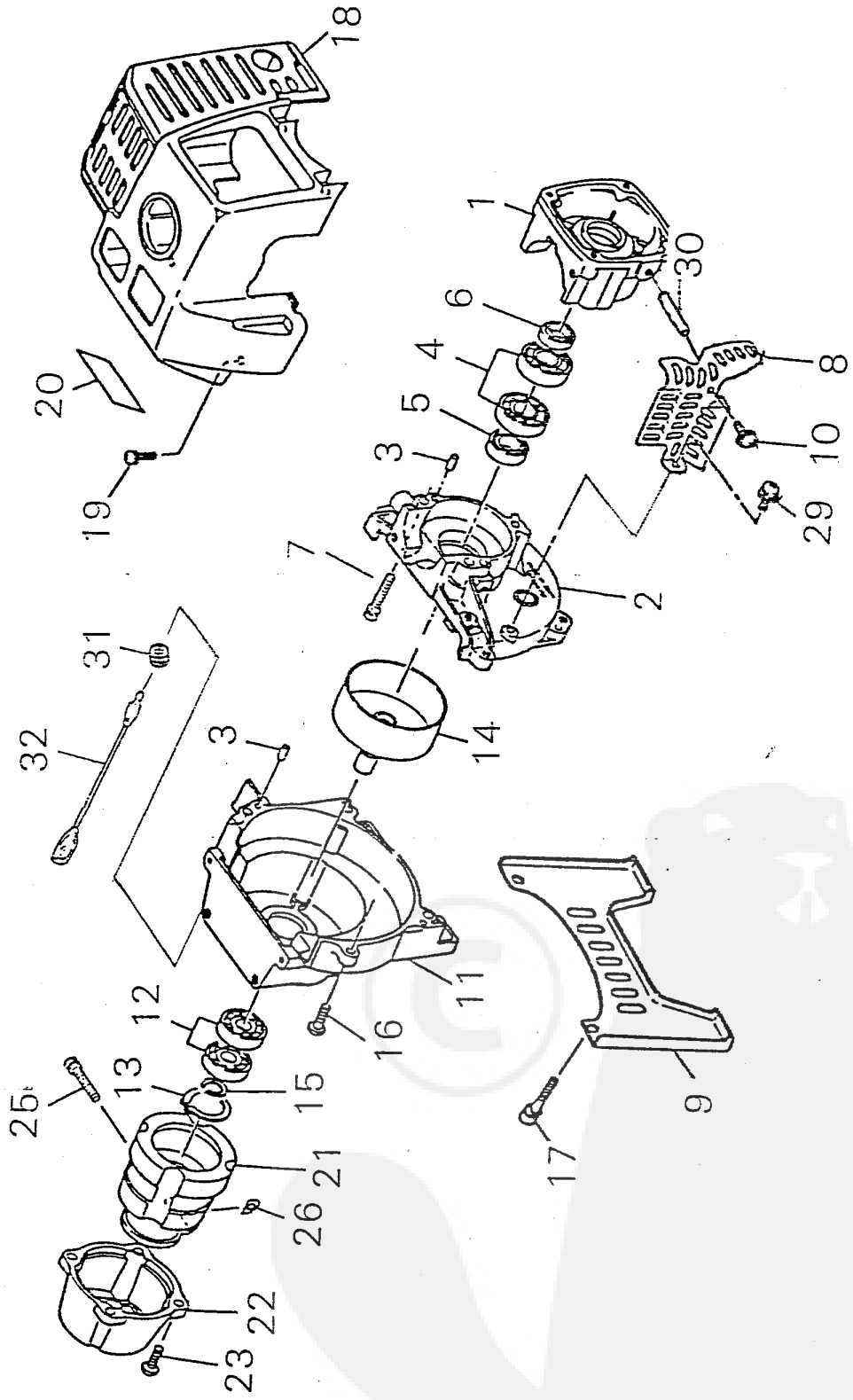


PRICE: (ST)

Ref. No.	Part No.	Part Name	Qty	Unit Price	Remarks
1- 1	20075-12110	CYLINDER	1		
2	20035-12120	GASKET	1		
3	11022-05250	BOLT SPW	2		
4	20074-12210	INSULATOR	1		
5	20035-12220	GASKET	1		
6	20011-12260	NUT	2		
7	11022-05200	BOLT SPW	2		
	20035-15002	MUFFLER ASSY	1		
8	20035-15112	• MUFFLER	1		
9	20035-15121	• GASKET MUFFLER	1		
10	01020-05550	• BOLT	2		
11	11206-05120	• SCREW PM SPW	1		
12	01610-05080	• WASHER	2		

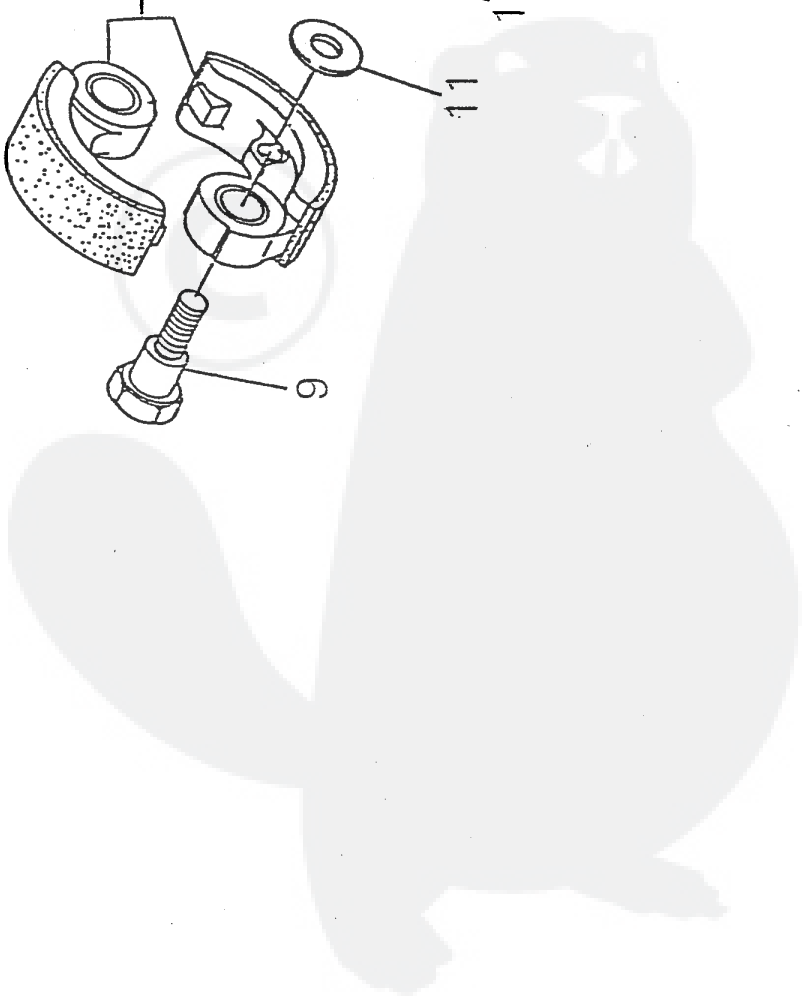
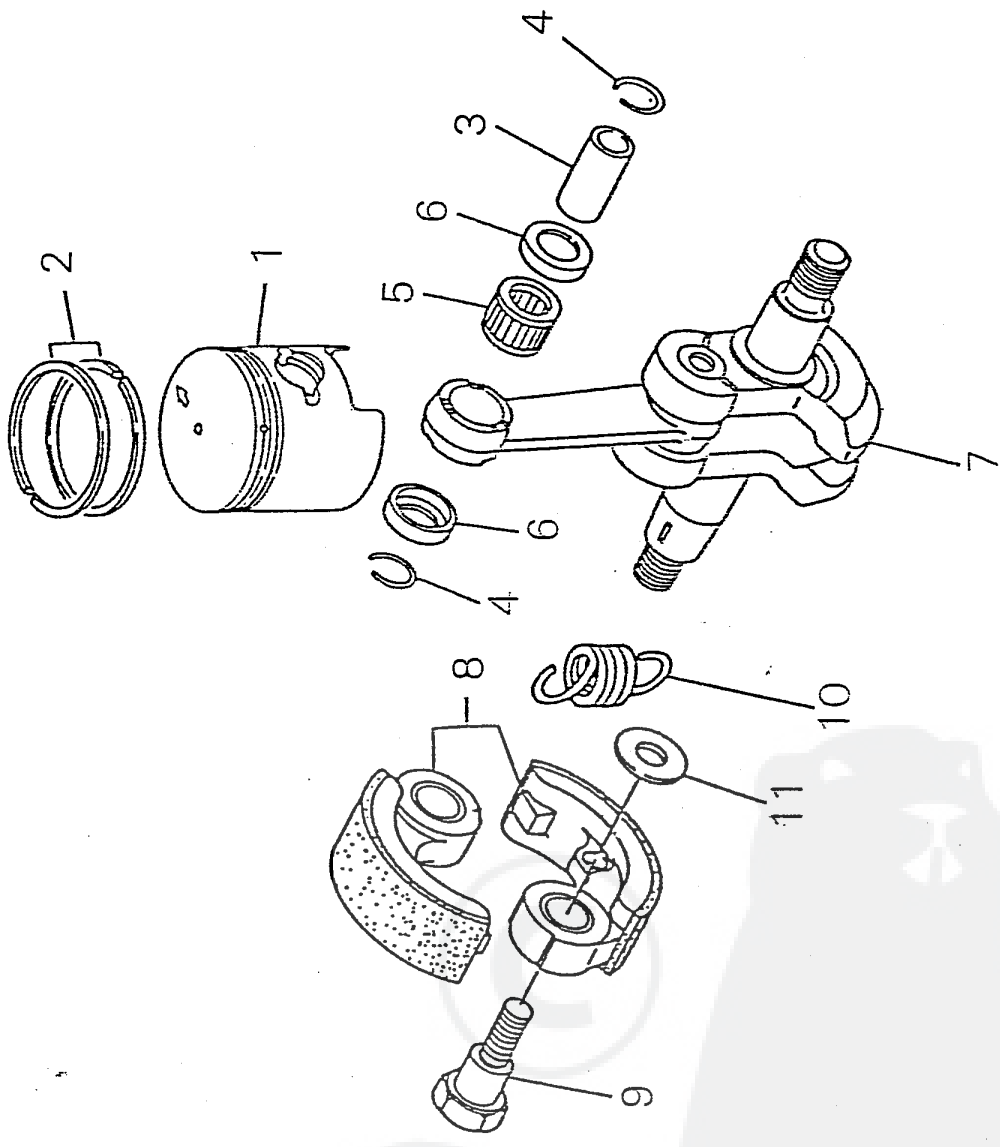
PARTS LIST
SHINDAIWA
(L138 LIA0380P)

C23/VK



PRICE:(ST)

Ref. No	Part No.	Part Name	Qty	Unit Price	Remarks
2-	20075-21000	CRANK CASE ASSY	1		
1	20036-21110	• CRANK CASE S	1		
2	20036-21121	• CRANK CASE M	1		
3	70030-21140	• DAWEL PIN	4		
4	02030-06001	• BEARING	2		
5	20000-21211	• OIL SEAL	1		
6	22150-21250	• OIL SEAL	1		
7	01020-05250	• BOLT	3		
8	20035-22110	• NET A	1		
29	11206-04080	• SCREW PM SPW	1		
10	01211-04300	• SCREW SW	1		
30	20075-22120	• COLLAR	1		
	70105-31100	FAN COVER SUB ASSY	1		
11	70105-31110	• FAN COVER	1		
12	02006-06000	• BEARING	2		
13	02432-26120	• SNAP RING	1		
14	20035-31120	• CLUTCH DRUM	1		
15	22000-13320	• SNAP RING	1		
16	11022-05160	BOLT SPW	2		
17	11022-05350	BOLT SPW	2		
31	70105-31520	GROMMET	1		
18	70036-31213	CYLINDER COVER	1		
19	11207-04160	SCREW PM SLPW	2		
20	70105-31250	NAME PLATE	1		
21	20035-31411	JOINT	1		
22	70036-31420	CAP JOINT	1		
23	11206-05160	SCREW PM SPW	4		
32	70105-31510	CORD	1		
25	11023-05250	BOLT SW	1		
26	20035-31460	SHIM	1		
9	20075-33110	STAND	1		

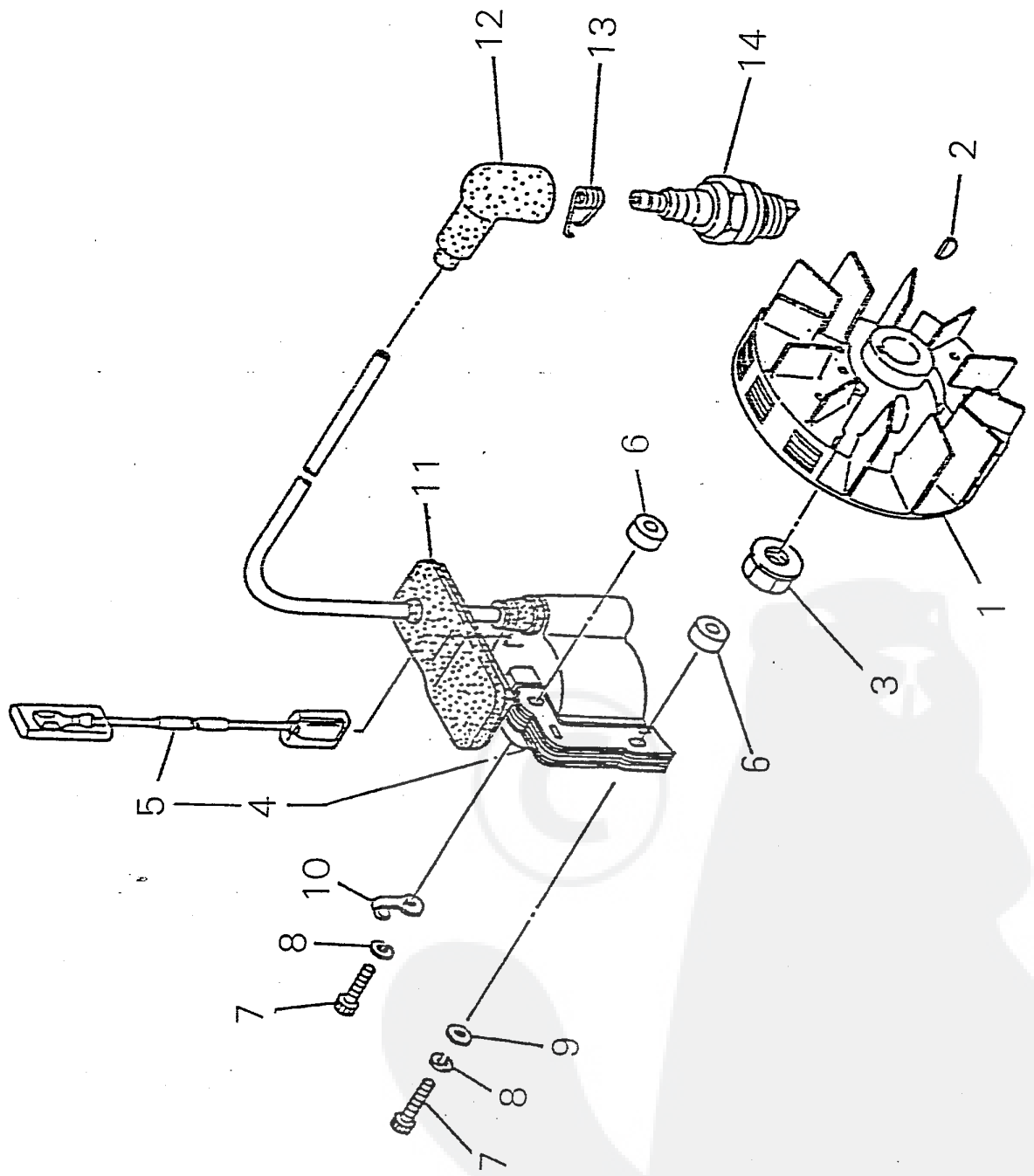


PRICE:(ST)

Ref. No.	Part No.	Part Name	Q'ty	Unit Price	Remarks
3- 1	20075-41110	PISTON	1		
2	20000-41210	PISTON RING	2		
3	20075-41310	PISTON PIN	1		
4	70030-41320	SNAP RING	2		
5	70030-41330	NEEDLE BEARING	1		
6	70030-41340	THRUST WASHER	2		
7	20035-42002	CRANK SHAFT ASSY	1		
	20035-51100	CLUTCH SHOE ASSY	1		
8	20035-51110	• CLUTCH SHOE	2		
9	20000-51212	• BOLT	2		
10	20035-51221	• CLUTCH SPRING	1		
11	22100-71430	• WASHER	2		

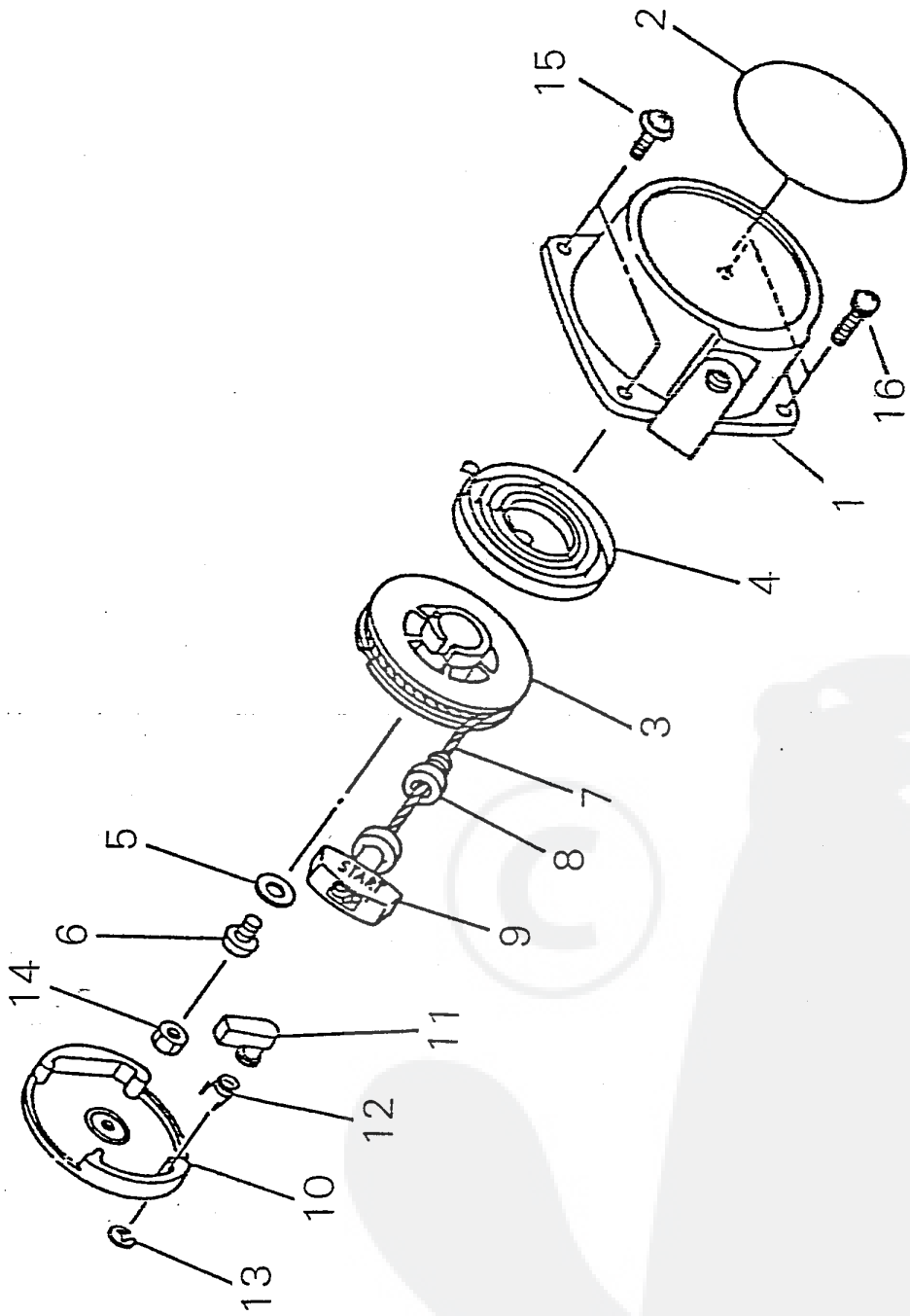
PARTS LIST
SHINDAIWA
(LI38 LIA0380P)

C23/VK



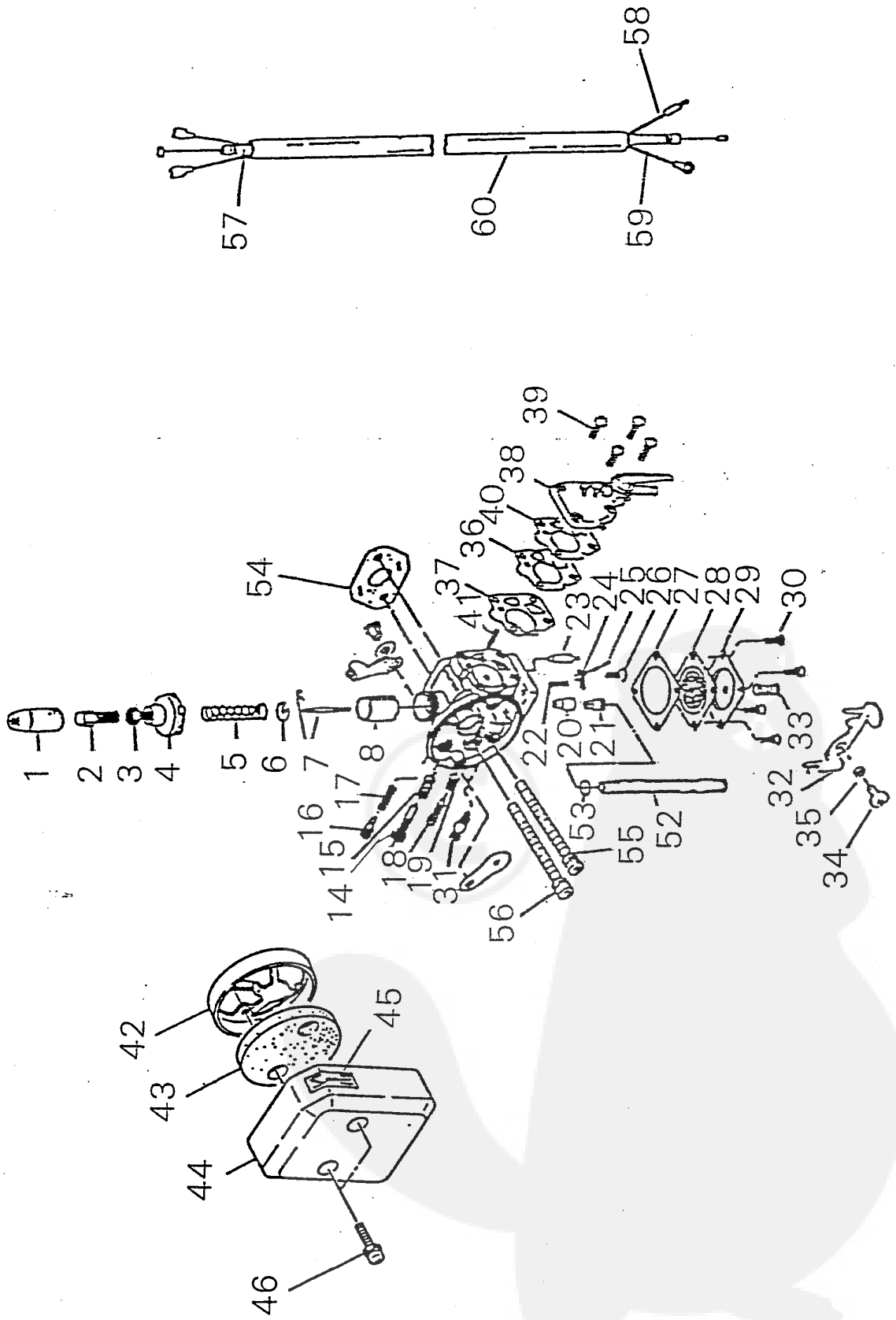
PRICE:(ST)

Ref. No.	Part No.	Part Name	Q'ty	Remarks
4-	1 20077-71200	ROTOR	1	
	2 22100-43210	KEY	1	
	3 20035-71220	NUT	1	
	4 20077-71600	COIL ASSY	1	
	5 20077-71640	CORD	1	
	6 70030-71620	INSULATOR	2	
	7 01020-04260	BOLT	2	
	8 01600-04101	SPRING WASHER	2	
	9 20010-71650	WASHER	1	
	10 20077-72130	CLAMP	1	
	11 20040-72110	GROMMET	1	
	12 22102-72220	PLUG CAP	1	
	13 20000-72230	SPRING SPARK PLUG	1	
	14 13000-13406	SPARK PLUG	1	



PRICE:(ST)

Ref. No	Part No.	Part Name	Q'ty	Remarks
5-	70036-75000	RECOIL STARTER ASSY #	1	
	70036-75100	· RECOIL STARTER SUB ASSY	1	
1	70036-75110	·· STARTER CASE	1	
2	70036-75116	·· NAME PLATE	1	
3	70030-75120	·· REEL	1	
4	70030-75130	·· RECOIL SPRING	1	
5	70030-75140	·· WASHER	1	
6	20035-75170	·· SCREW	1	
7	70030-75160	·· ROPE	1	
8	20035-75180	·· ROPE GUIDE	1	
9	20000-75190	·· KNOB STARTER	1	
	20035-75200	· STARTER PULLY SUB ASSY	1	
10	70030-75210	·· STARTER PULLY	1	
11	70030-75220	·· RATCHET	1	
12	20035-75230	·· RETURN SPRING	1	
13	70030-75240	·· E RING	1	
14	20035-43230	NUT	1	
15	20040-31330	SCREW PM SW L	2	
16	11206-04200	SCREW PM SPW	2	



PRICE:(ST)

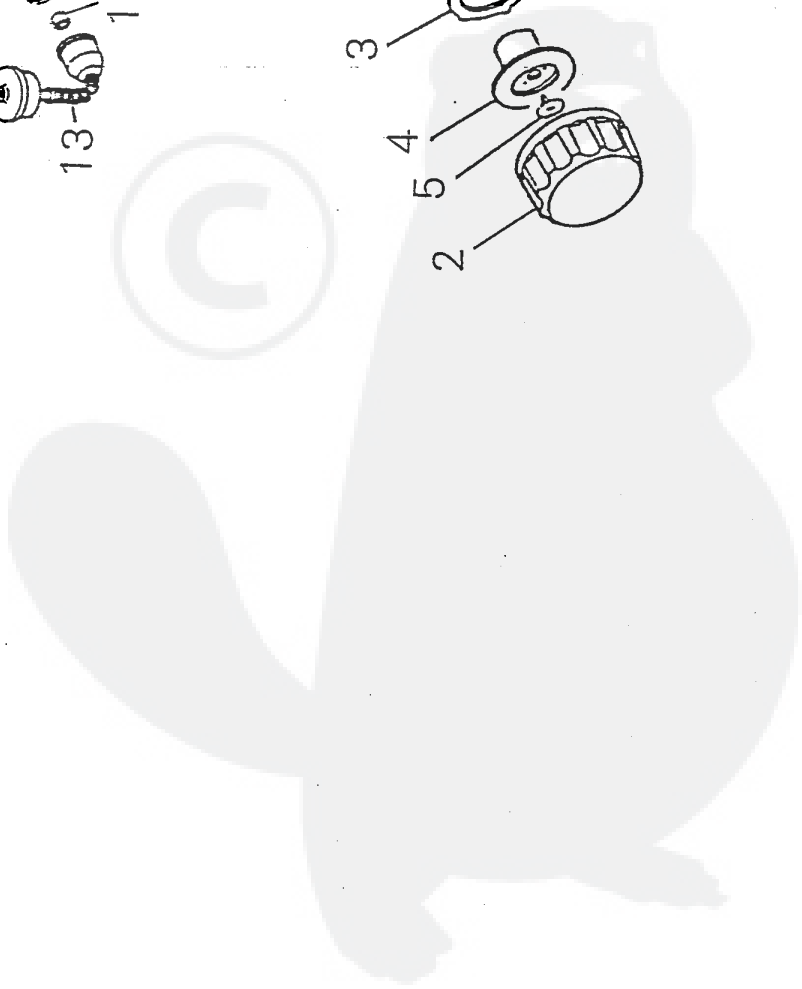
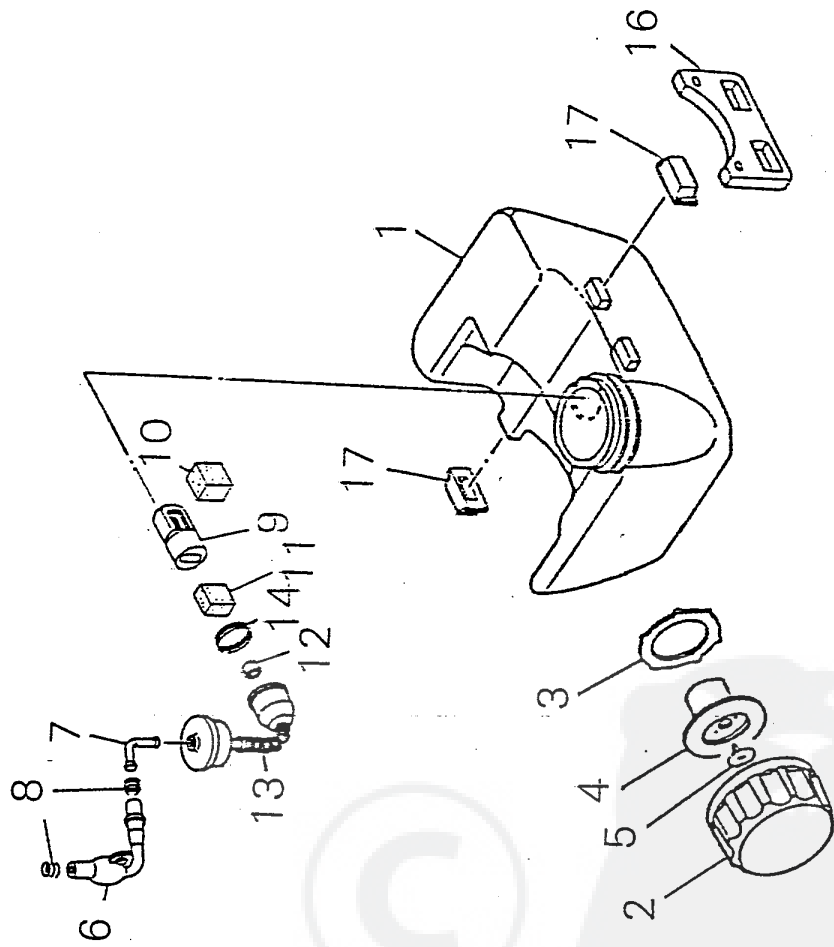
Ref. No	Part No.	Part Name	Q'ty	Remarks
6-	20075-81002	CARBURETOR ASSY	1	
	20075-81022	* CARBU BODY SUB ASSY	1	
1	72920-81130	** ADJUSTER CAP	1	
2	72920-81140	** CABLE ADJUSTER	1	
3	20000-81260	** LOCK NUT	1	
4	72920-81120	** BODY CAP	1	
5	20011-81140	** SPRING	1	
6	20000-81150	** SPRING RECEIVE	1	
7	20075-81171	** JET NEEDLE	1	
8	20075-81180	** THROTTLE VALVE	1	
14	20000-81310	** SLOW STOP SCREW	1	
15	20000-81320	** SPRING	1	
16	20000-81330	** SLOW AIR SCREW	1	
17	20000-81340	** SPRING	1	
18	20011-81351	** ADJUST SCREW	1	
19	20011-81360	** SPRING	1	
20	20075-81411	** NEEDLE JET	1	
21	20011-81420	** HOLDER	1	
22	20011-81430	** SPRING	1	
23	20000-81441	** NEEDLE VALVE	1	
24	20011-81450	** LEVER	1	
25	20011-81460	** PIN	1	
26	20011-81470	** SCREW	1	
27	20011-81510	** GASKET	1	
28	20011-81520	** DIAPHRAGM	1	
29	20011-81530	** COVER DIAPHRAGM	1	
30	20000-81540	** SCREW	4	
31	20011-81550	** ORVER FLOW VALVE	1	
32	20035-81560	** TICKLER LEVER	1	
33	20011-81572	** SPRING	1	
34	20011-81581	** SCREW	1	
35	20011-81590	** COLLAR	1	
36	20011-81621	** DIAPHRAGM	1	
37	20011-81630	** GASKET	1	
38	20011-81641	** PUMP BODY	1	
39	20000-81650	** SCREW	4	
40	20020-81660	** PUMP VALVE	1	
41	20011-81680	** SPRING	1	

PARTS LIST
SHINDAIWA
(LI38 LIA0380P)

C25, VK

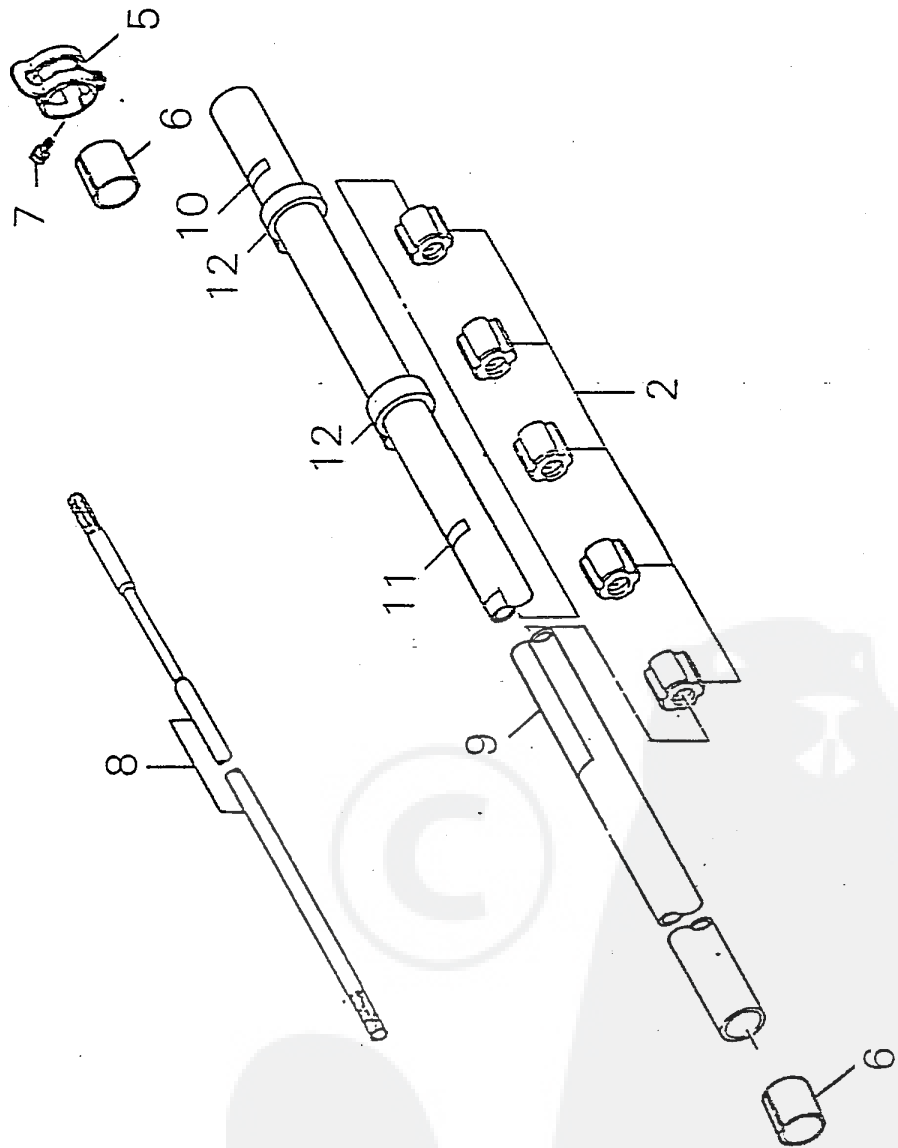
PRICE:(ST)

Ref. No	Part No.	Part Name	Q'ty	Remarks
6-	20075-81700	• CLEANER SUB ASSY	1	
42	20056-81710	•• CLEANER BODY	1	
43	20056-81740	•• FILTER	1	
44	20075-81770	•• CLEANER COVER	1	
45	19404-00008	•• LABEL CHORKE	1	
46	11207-04250	•• SCREW PM SLPW	2	
52	20035-83310	PIPE	1	
53	20020-85540	CLIP	1	
54	20011-83410	GASKET CARBURETOR	1	
55	01020-05600	BOLT	2	
56	01600-05131	SPRING WASHER	2	
	20011-81910	GASKET KIT	1	
27	20011-81510	• GASKET	1	
37	20011-81630	• GASKET	1	
	20011-81921	DIAPHRAGM KIT	1	
28	20011-81520	• DIAPHRAGM	1	
36	20011-81621	• DIAPHRAGM	1	
40	20020-81660	• PUMP VALVE	1	
	20075-81931	JET NEEDLE KIT	1	
7	20075-81171	• JET NEEDLE	1	
20	20075-81411	• NEEDLE JET	1	
	70105-83100	THROTTLE CABLE SUB ASSY	1	
57	20026-83111	• THROTTLE CABLE	1	
58	70105-83120	• CORD	1	
59	70105-83130	• CORD	1	
60	70105-83140	• TUBE	1	



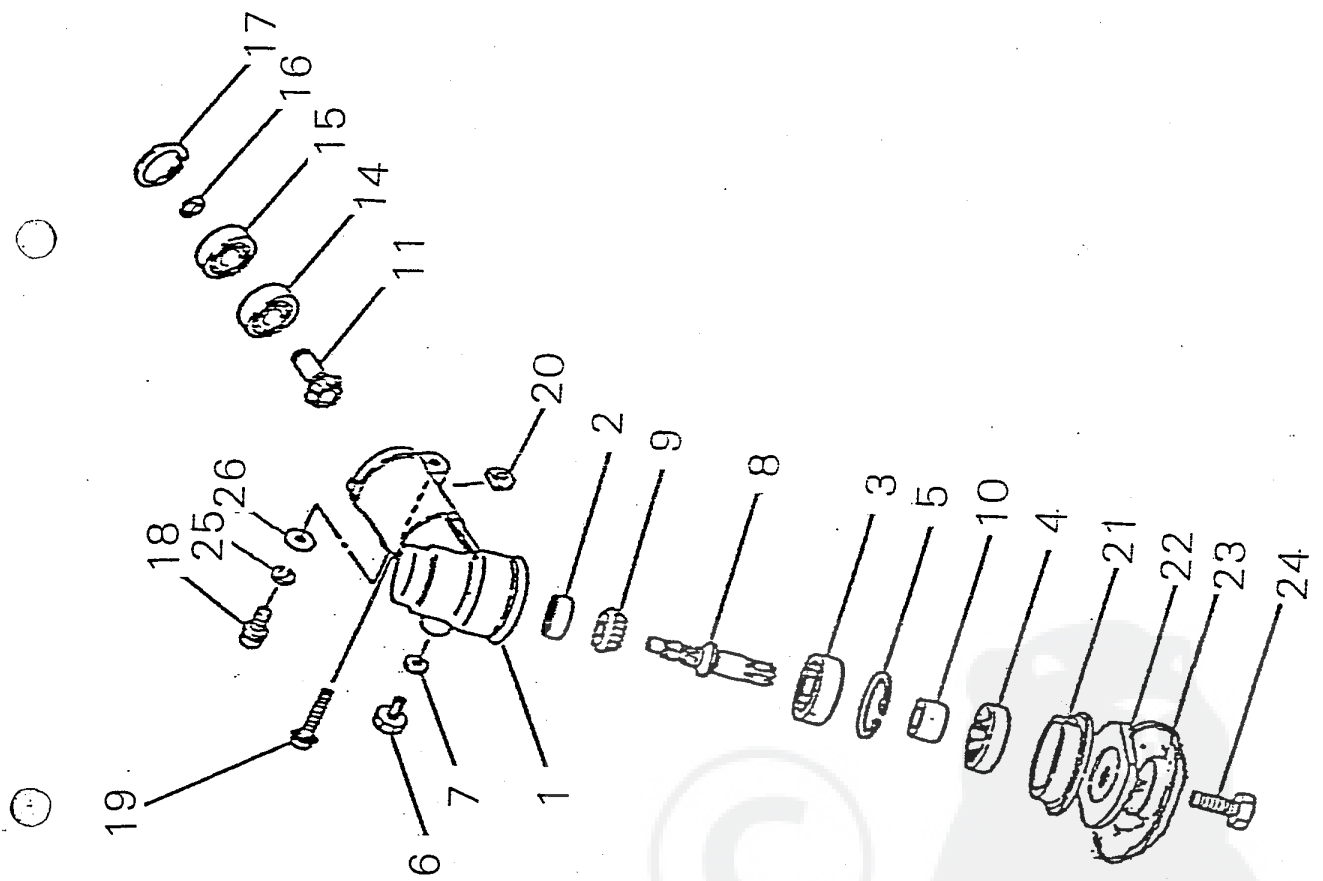
PRICE:(ST)

Ref. No	Part No.	Part Name	Qty	Remarks
7-	20035-85003	FUEL TANK ASSY	1	
1	20035-85111	• FUEL TANK	1	
	20040-85202	• FUEL CAP ASSY	1	
2	20040-85210	•• FUEL CAP	1	
3	20040-85220	•• PACKING	1	
4	20040-85232	•• HOLDER COMP	1	
5	20040-85260	•• VALVE FUEL	1	
6	20035-85310	• FUEL PIPE	1	
7	20000-85321	• JOINT PIPE	1	
8	20000-85350	• CLAMP B	2	
	20011-85400	• FUEL FILTER SUB ASSY	1	
9	22100-85411	•• WEIGHT FUEL	1	
10	22100-85420	•• FILTER A	1	
11	22100-85431	•• FILTER B	1	
12	20000-85440	•• CHAKE VALVE	1	
13	20011-85450	•• SUCTION PIPE	1	
14	22102-85440	•• CLIP	1	
16	20035-86110	TANK HOLDER	1	
17	20035-86120	TANK CUSHION	4	



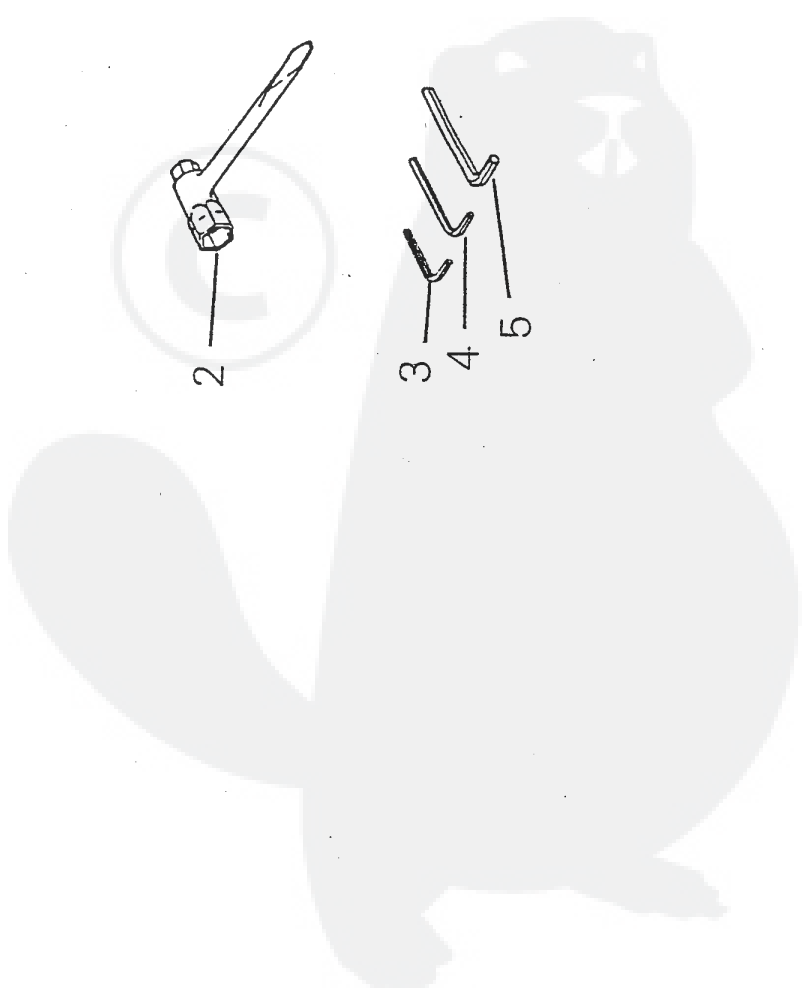
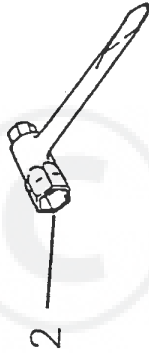
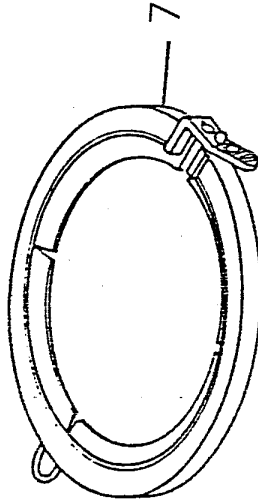
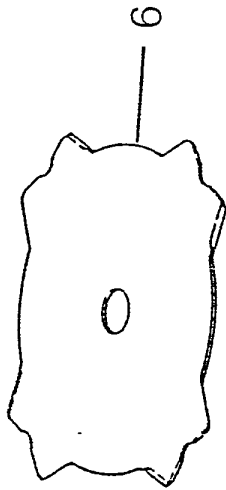
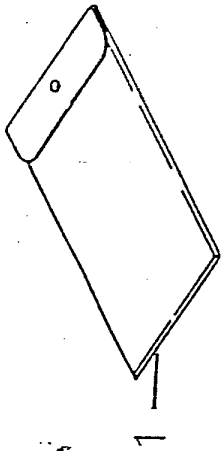
PRICE:(ST)

Ref. No.	Part No.	Part Name	Q'ty	emarks
8-	72444-12000	OUTER PIPE ASSY #	1	
	72444-12100	· OUTER PIPE SUB ASSY	1	
2	22035-12120	·· BUSH	5	
10	72444-12140	·· CAUTION PLATE	1	
11	72444-12150	·· HANDLE LABEL	1	
5	22035-12210	· SWIVEL HANGER	1	
6	22035-12220	· SPACER	2	
7	11206-05120	· SCREW PM SPW	1	
8	22035-12410	· MAIN SHAFT	1	
9	72443-12510	· NAME PLATE	1	
12	72444-12190	· BAND	2	



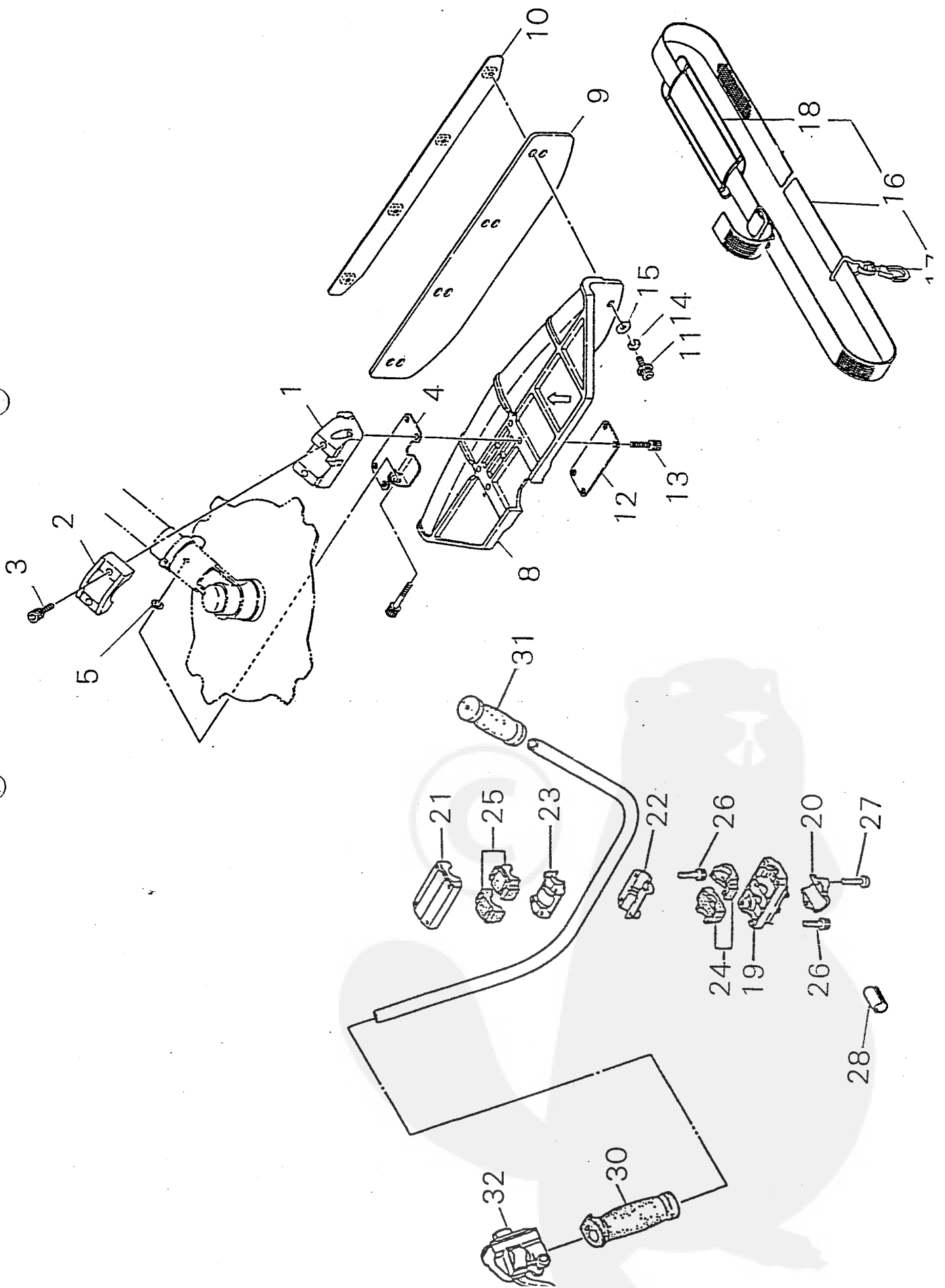
PRICE:(ST)

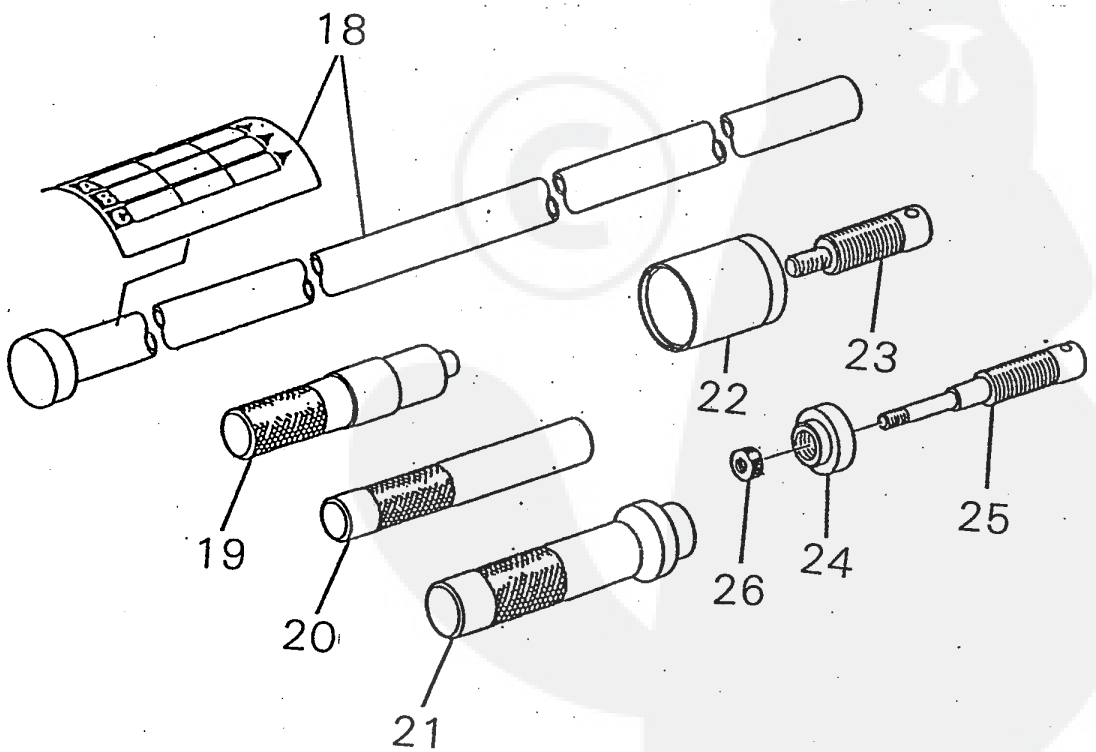
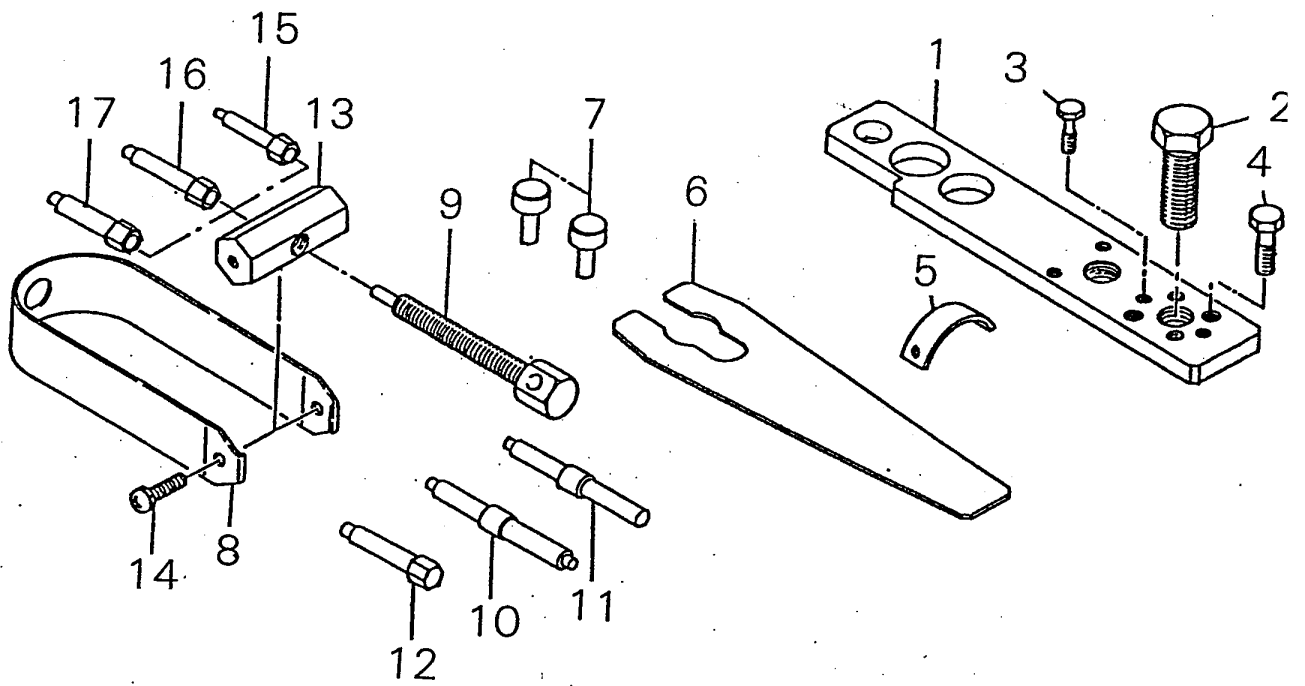
Ref. No	Part No.	Part Name	Qty	Remarks
9-	72444-13001	GEAR CASE ASSY	1	
	72055-13011			
	72444-13020	* GEAR CASE SUB ASSY	1	
1	72055-13111	** GEAR CASE	1	
2	02006-00626	** BEARING	1	
3	02000-06000	** BEARING	1	
4	22035-13140	** OIL SEAL	1	
5	02432-26120	** SNAP RING	1	
6	01014-06100	** BOLT	1	
7	22000-13410	** GASKET	1	
8	22035-13211	** GEAR SHAFT	1	
9	22035-13220	** BEVEL GEAR	1	
10	22035-13230	** COLLAR	1	
11	22035-13390	** PINION SET	1	
14	02000-00608	** BEARING	1	
15	02002-00608	** BEARING	1	
16	22035-13340	** SNAP RING	1	
17	02432-22100	** SNAP RING	1	
18	01020-05120	** BOLT	1	
25	01600-05131	** SPRING WASHER	1	
26	01610-05080	** WASHER	1	
19	11020-05300	** BOLT SW	1	
20	22000-13420	** SHIM	1	
	72444-13209	* HOLDER SET	# 1	
21	22035-13242	** HOLDER A	1	
22	22035-13251	** HOLDER B	1	
23	72444-13290	** STABILIZER	1	
24	22035-13271	** BOLT	1	



PRICE:(ST)

Ref. No	Part No.	Part Name	Q'ty	Remarks
10-	72444-16000	GUARD ASSY	1	
1	72444-16120	• GUARD BRACKET	1	
2	72444-16130	• GUARD CLAMP	1	
3	11022-05250	• BOLT SPW	2	
4	72444-16140	• LINK PLATE	1	
5	72444-16150	• WASHER	1	
8	72444-16210	• GUARD	1	
9	72444-16220	• SUB GUARD	1	
10	72444-16230	• BACK PLATE	1	
11	01020-05160	• BOLT	4	
12	72444-16250	• WASHER	1	
13	11022-05250	• BOLT SPW	4	
14	01600-05131	• SPRING WASHER	4	
15	01613-05080	• WASHER	4	
16	72036-17200	STRAP SUB ASSY	1	
17	22044-17220	• HOOK	1	
18	22044-17230	• PROTECTOR	1	
	72444-14000	HANDLE ASSY #	1	
	72444-14010	• BRACKET ASSY	1	
19	72017-14110	•• HANDLE BRACKET	1	
20	72017-14120	•• LOWER CAP	1	
21	72017-14130	•• UPPER CAP	1	
22	22015-14140	•• LOWER CLAMP	1	
23	22015-14150	•• UPPER CLAMP	1	
24	22015-14160	•• LOWER CUSHION	2	
25	22015-14170	•• UPPER CUSHION	2	
26	11022-05250	• BOLT SPW	8	
27	11210-06250	• SCREW BUTTON	2	
28	72444-14190	• SPACER	2	
	72447-14200	• HANDLE SUB ASSY	1	
30	72447-14220	•• RIGHT GRIP	1	
31	22015-14230	•• LEFT GRIP	1	
32	72447-14300	• LEVER COMP	1	





PRICE:(ST)

Ref. No	Part No.	Part Name	Q'ty	emarks
12-	20021-96001	OPTION TOOL SET #	1	
	20000-96104	• PULLER ASSY	1	
1	20000-96114	•• LEVER	1	
2	22100-96121	•• CENTER BOLT	1	
3	20000-96130	•• BOLT	3	
4	20000-96140	•• BOLT	2	
5	20000-96210	• AIR GAP GAUGE	1	
6	20000-96411	• ROTOR SPANNER	1	
7	20021-96420	• STOPPER	2	
	20021-96601	• PULLER ASSY	1	
8	20021-96611	•• PULLER	1	
9	20021-96621	•• BOLT	1	
10	20000-96631	•• GUIDE PIN	1	
11	20035-96630	•• GUIDE PIN	1	
12	20021-96630	•• GUIDE PIN	1	
13	20000-96640	•• BOSS	1	
14	01211-06120	•• SCREW	2	
15	20021-96650	•• PIN ADAPTER	1	
16	20021-96660	•• PIN ADAPTER	1	
17	20021-96670	•• PIN ADAPTER	1	
	22000-96003	OPTION TOOL SET #	1	
18	22000-96101	• ROD BUSHING ASSY	1	
19	22000-96210	• ROD 6000DDU	1	
20	22000-96310	• ROD 6000ZZ	1	
21	22000-96410	• ROD 6201	1	
	22000-96501	• PULLER ASSY	1	
22	22000-96510	•• HOLDER	1	
23	22000-96521	•• BOLT	1	
	22000-96600	• PULLER SUB ASSY	1	
24	22000-96610	•• HOLDER	1	
25	22000-96621	•• BOLT	1	
26	22000-96630	•• NUT	1	

PARTS LIST
SHINDAIWA
(LI38 LIA0380P)

C23/VK