

shindaiwa

PARTS PRICE LIST

C 2 5 0

SHIN-DAIWA KOGYO CO., LTD.

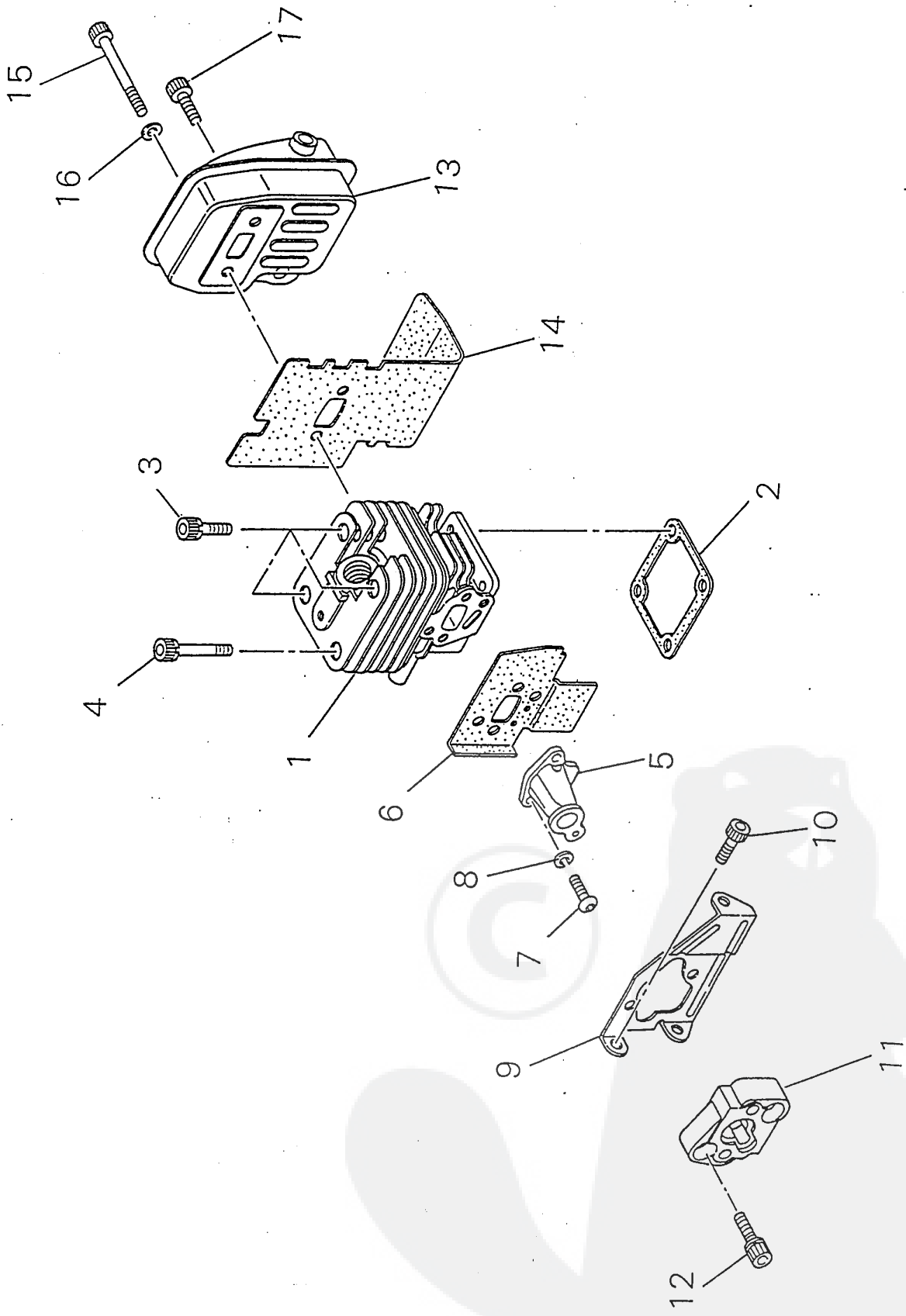
35, Ooaza Shin-Ujigami, Chiyoda-cho Yamagata-gun, Hiroshima, 731-15 Japan

Telephone (082672) 6019 SDKHIR Fax (082672) 7005

Cable Address SHINDAIWA HIROSHIMA

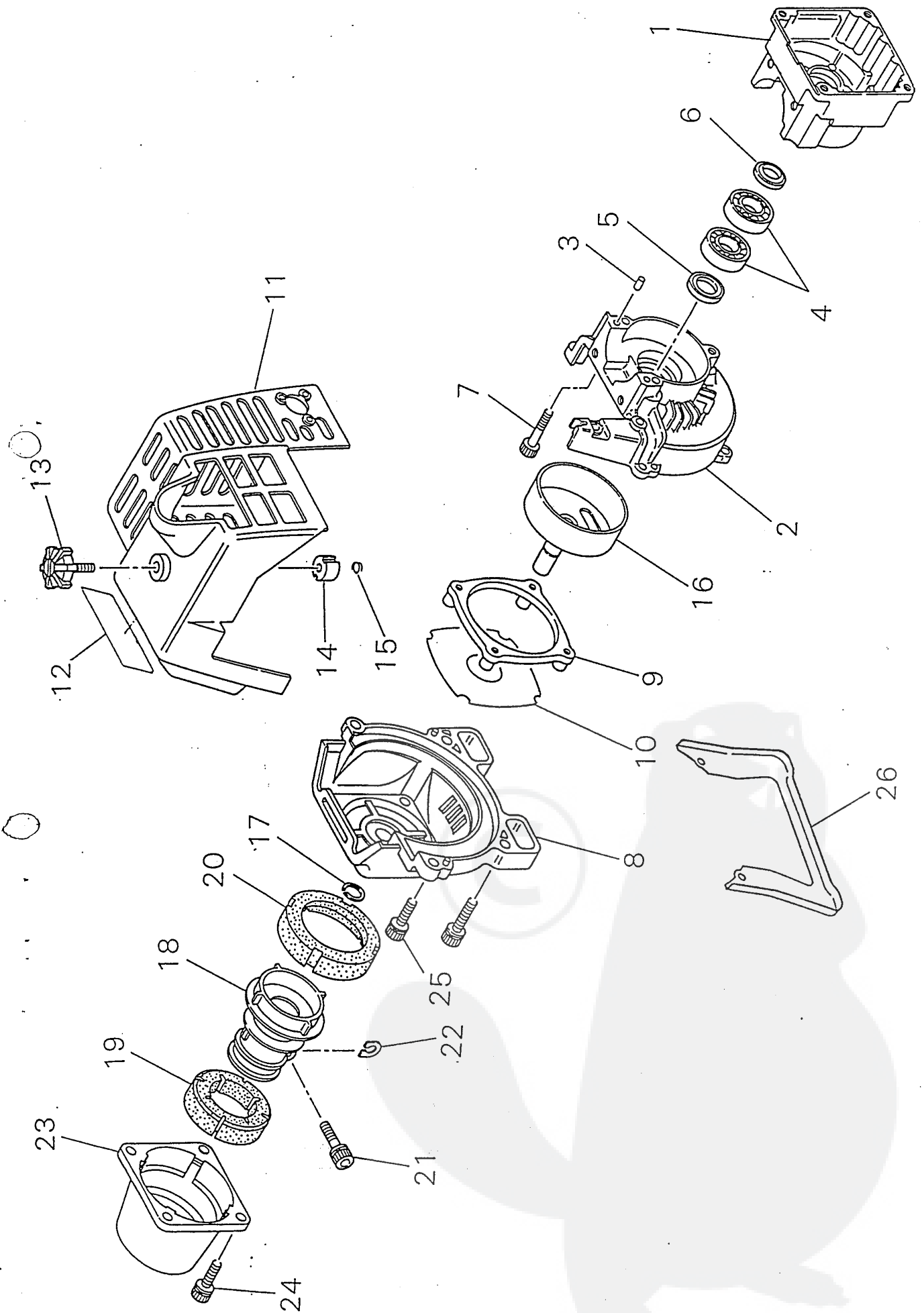
C250/VK

NOV 25 1992



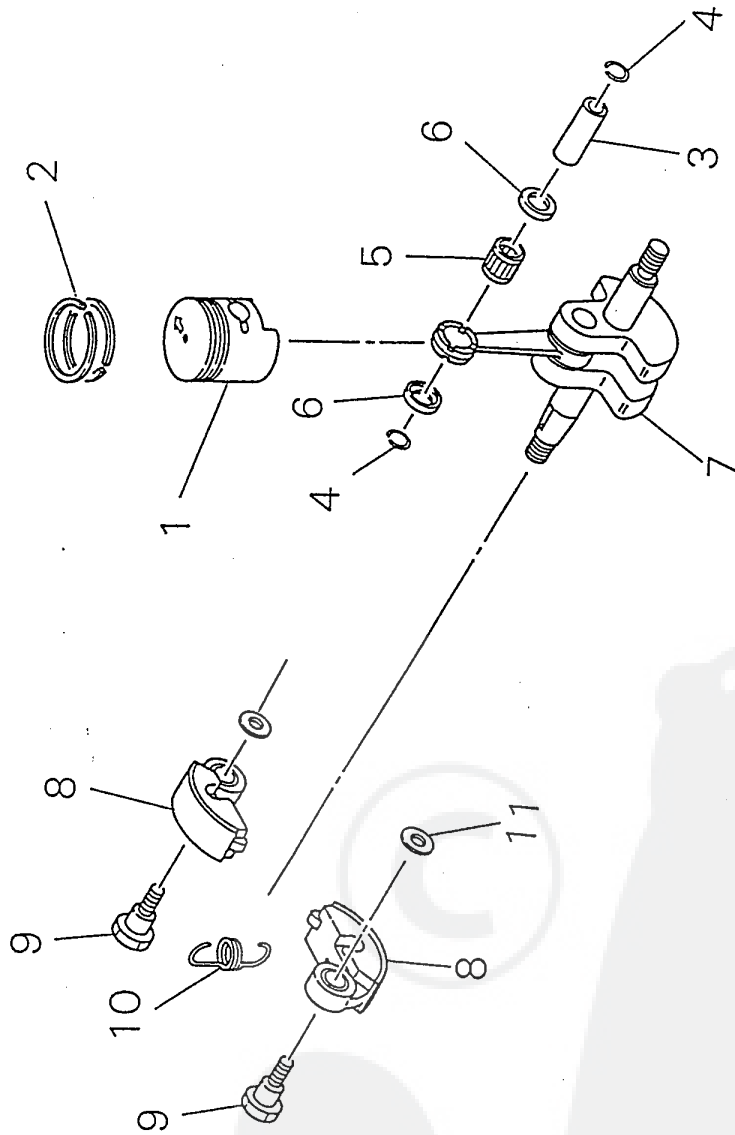
PRICE: (¥)

Ref. No	Part No.	Part Name	Qty	Unit Price	Remarks
1- 1	20018-12110	CYLINDER	1	7,160	
2	20018-12120	GASKET	1	220	
3	11020-05160	BOLT SW	3	50	
4	11020-05350	BOLT SW	1	50	
5	20018-12211	BOOT	1	1,060	
6	20018-12222	GASKET	1	420	
7	11210-05160	SCREW BUTTON	2	30	
8	01600-05131	SPRING WASHER	2	10	
9	20018-12233	BRACKET	1	520	
10	01020-05120	BOLT	2	30	
11	20018-12241	INSULATOR	1	700	
12	11022-05160	BOLT SPW	2	50	
	20018-15000	MUFFLER ASSY	1	5,040	
13	20018-15110	• MUFFLER	1	3,500	
14	20018-15150	• GASKET MUFFLER	1	1,300	
15	01020-05500	• BOLT	2	50	
16	01610-05080	• WASHER	2	10	
17	01020-05120	• BOLT	1	30	



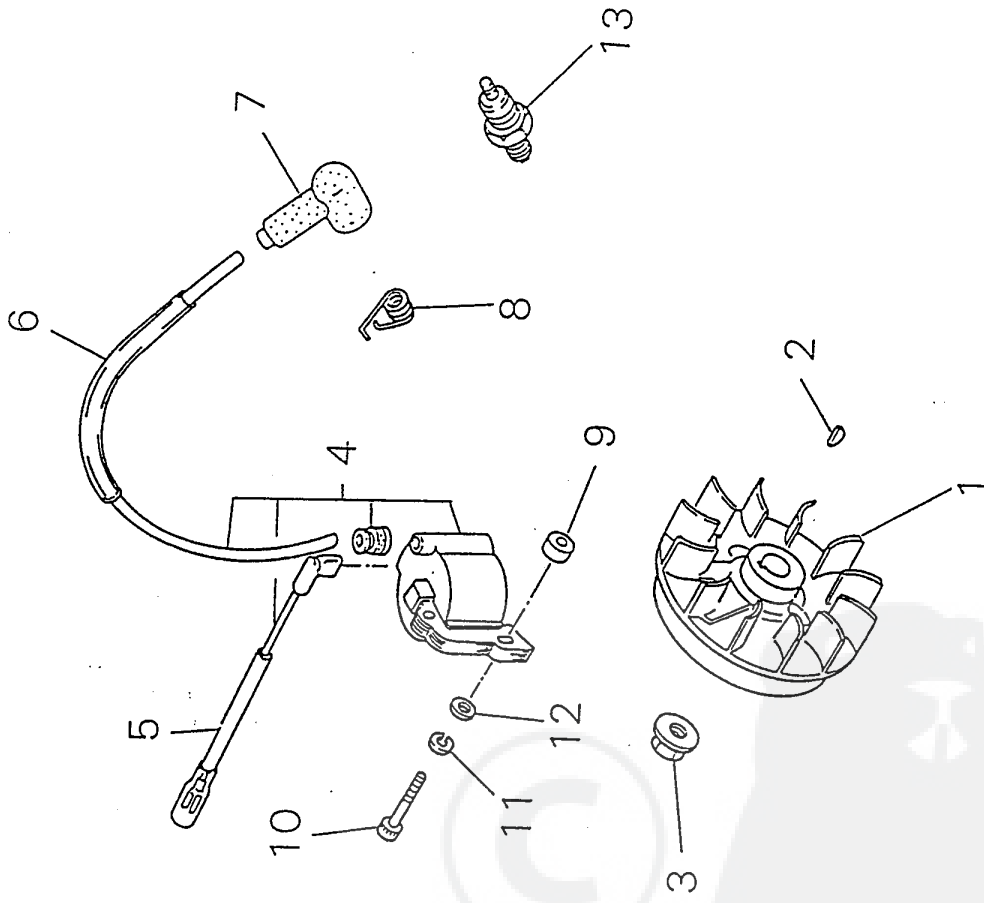
PRICE:(¥)

Ref. No	Part No.	Part Name	Q'ty	Unit Price	Remarks
2-	20018-21000	CRANK CASE ASSY	1	5,180	
1	20018-21110	• CRANK CASE S	1	2,040	
2	20018-21120	• CRANK CASE M	1	1,830	
3	70030-21140	• DAWEL PIN	2	50	
4	12900-60010	• BEARING	2	320	
5	20000-21211	• OIL SEAL	1	270	
6	22150-21250	• OIL SEAL	1	180	
7	01020-05250	• BOLT	3	40	
8	70135-31110	FAN COVER	1	2,320	
9	20018-31130	PLATE	1	770	
10	20018-31140	GASKET	1	390	
	70135-31201	CYLINDER COVER ASSY	1	2,500	
11	70135-31221	• CYLINDER COVER	1	2,030	
12	70135-31230	• NAME PLATE	1	100	
13	20018-31250	• KNOB	1	180	
14	20018-31260	• INSULATOR	1	100	
15	20018-31270	• CLIP	1	20	
16	20018-31330	CLUTCH DRUM	1	2,780	
17	22000-13320	SNAP RING	1	40	
18	20018-31410	JOINT	1	1,450	
19	20018-31420	FRONT CUSHION	1	330	
20	20018-31430	REAR CUSHION	1	400	
21	11023-05250	BOLT SW	1	50	
22	20035-31460	SHIM	1	20	
23	70135-31470	CAP	1	600	
24	11022-05200	BOLT SPW	4	50	
25	11022-05250	BOLT SPW	4	50	
26	20018-33110	STAND	1	580	



○

○

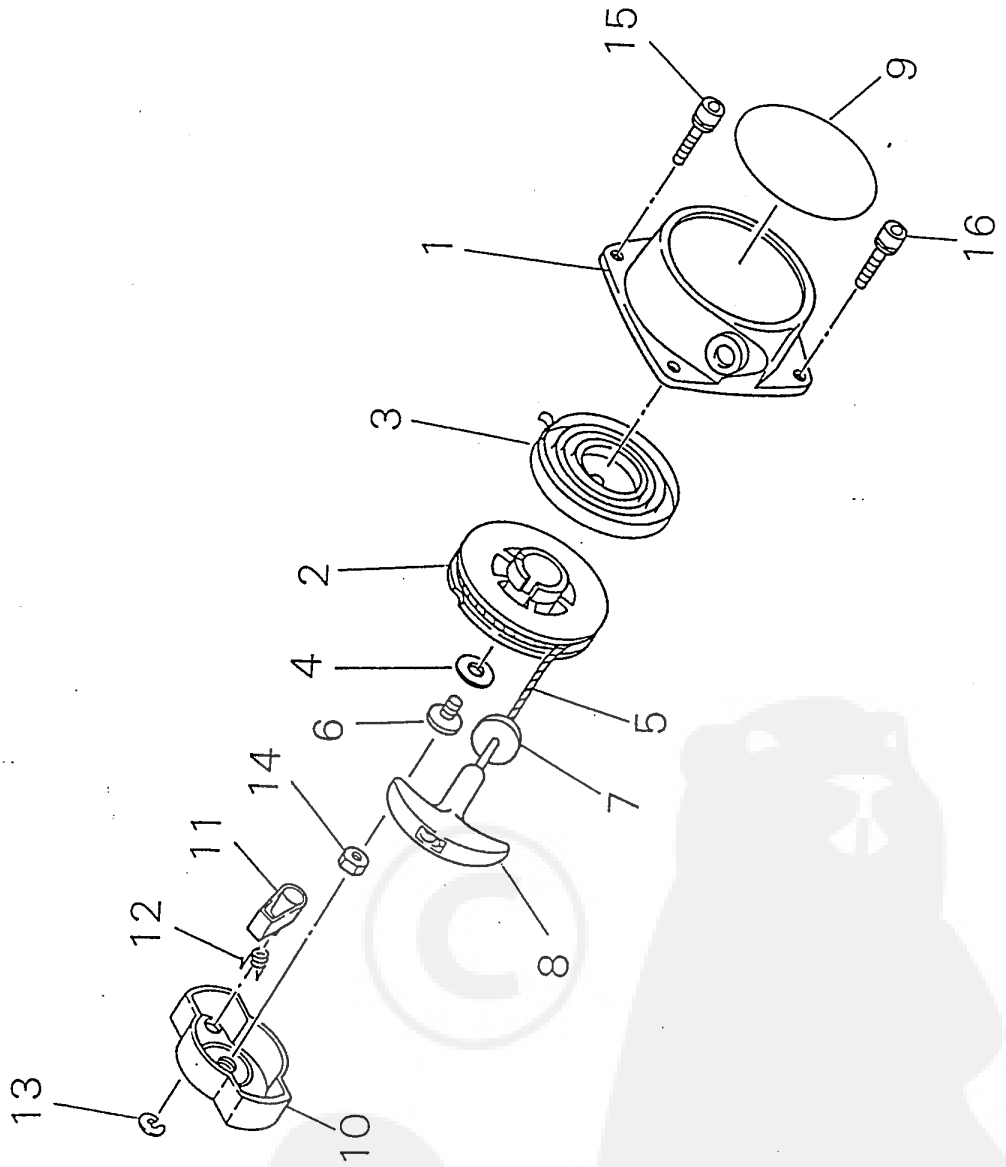


PRICE:(¥)

Ref. No	Part No.	Part Name	Q' ty	Unit Price	Remarks	
4-	1	20018-71200	ROTOR	1	3,700	
	2	02403-03100	KEY	1	60	
	3	20035-71220	NUT	1	40	
	4	20018-71602	COIL ASSY	1	5,300	
	5	20018-71642	CORD	1	200	
	6	20016-71660	TUBE	1	80	
	7	22102-72220	PLUG CAP	1	190	
	8	20000-72230	SPRING SPARK PLUG	1	110	
	9	70030-71620	INSULATOR	2	90	
	10	01020-04260	BOLT	2	30	
	11	01600-04101	SPRING WASHER	2	10	
	12	01612-00400	WASHER	2	10	
	13	13000-13006	SPARK PLUG	1	500	

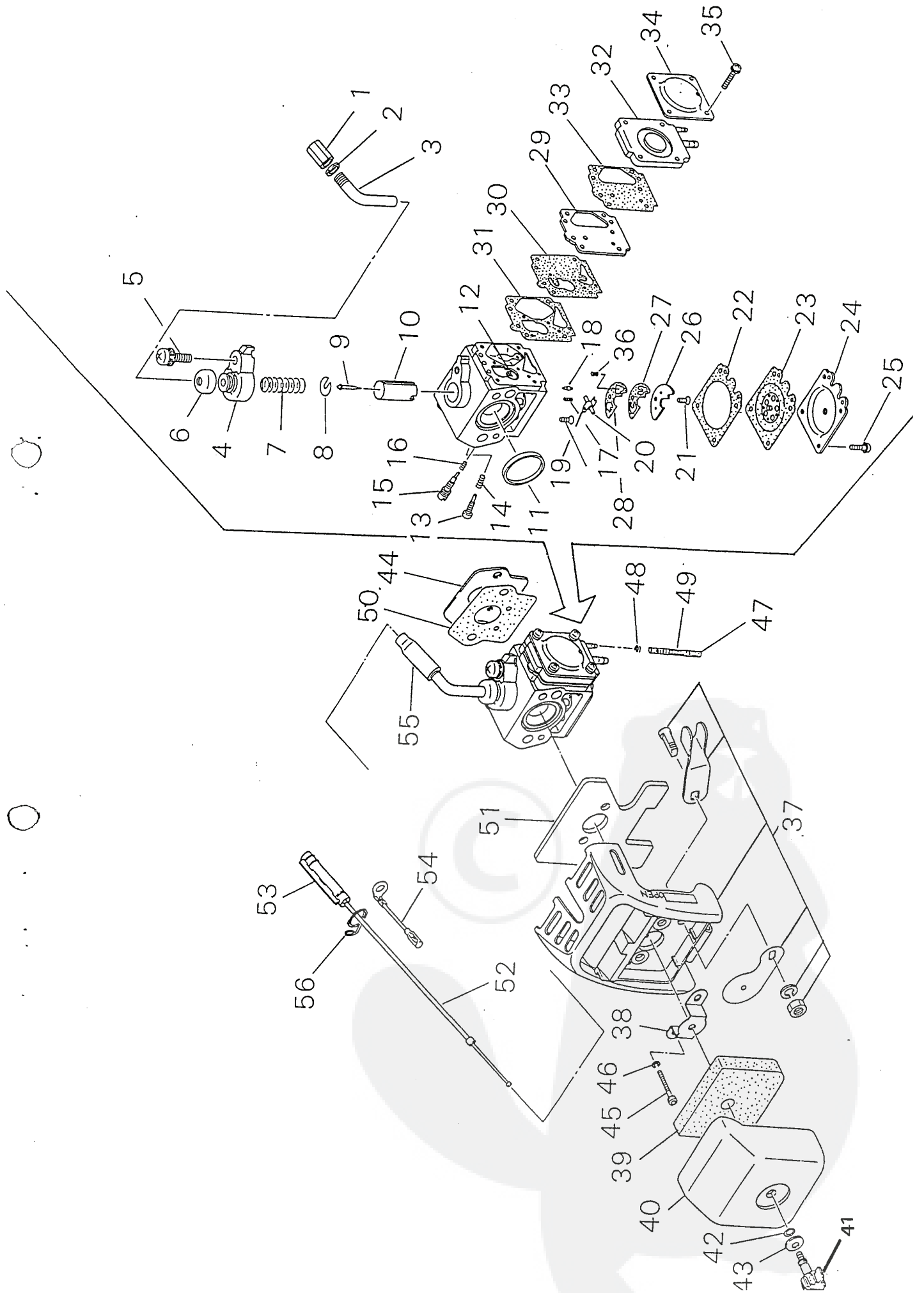
PARTS LIST
SHINDAIWA
(L138 LIA0380P)

C250/VK



PRICE:(¥)

Ref. No	Part No.	Part Name	Q'ty	Unit Price	Remarks
5-	70102-75100	RECOIL STARTER SUB ASSY	1	3,640	
1	70102-75110	• STARTER CASE	1	1,180	
2	20024-75120	• REEL	1	530	
3	20024-75130	• RECOIL SPRING	1	620	
4	20024-75140	• WASHER	1	60	
5	20024-75160	• ROPE	1	320	
6	20035-75170	• SCREW	1	40	
7	20024-75180	• DAMPER	1	90	
8	20024-75190	• STARTER KNOB	1	440	
9	70005-75240	• NAME PLATE	1	150	
	20024-75200	STARTER PULLY SUB ASSY	1	1,020	
10	20024-75210	• STARTER PULLY	1	720	
11	20024-75220	• RATCHET	1	80	
12	20024-75230	• RETURN SPRING	1	190	
13	20024-75240	• E RING	1	30	
14	20035-43230	NUT	1	30	
15	11022-05200	BOLT SPW	2	50	
16	11022-05250	BOLT SPW	2	50	



PRICE:(¥)

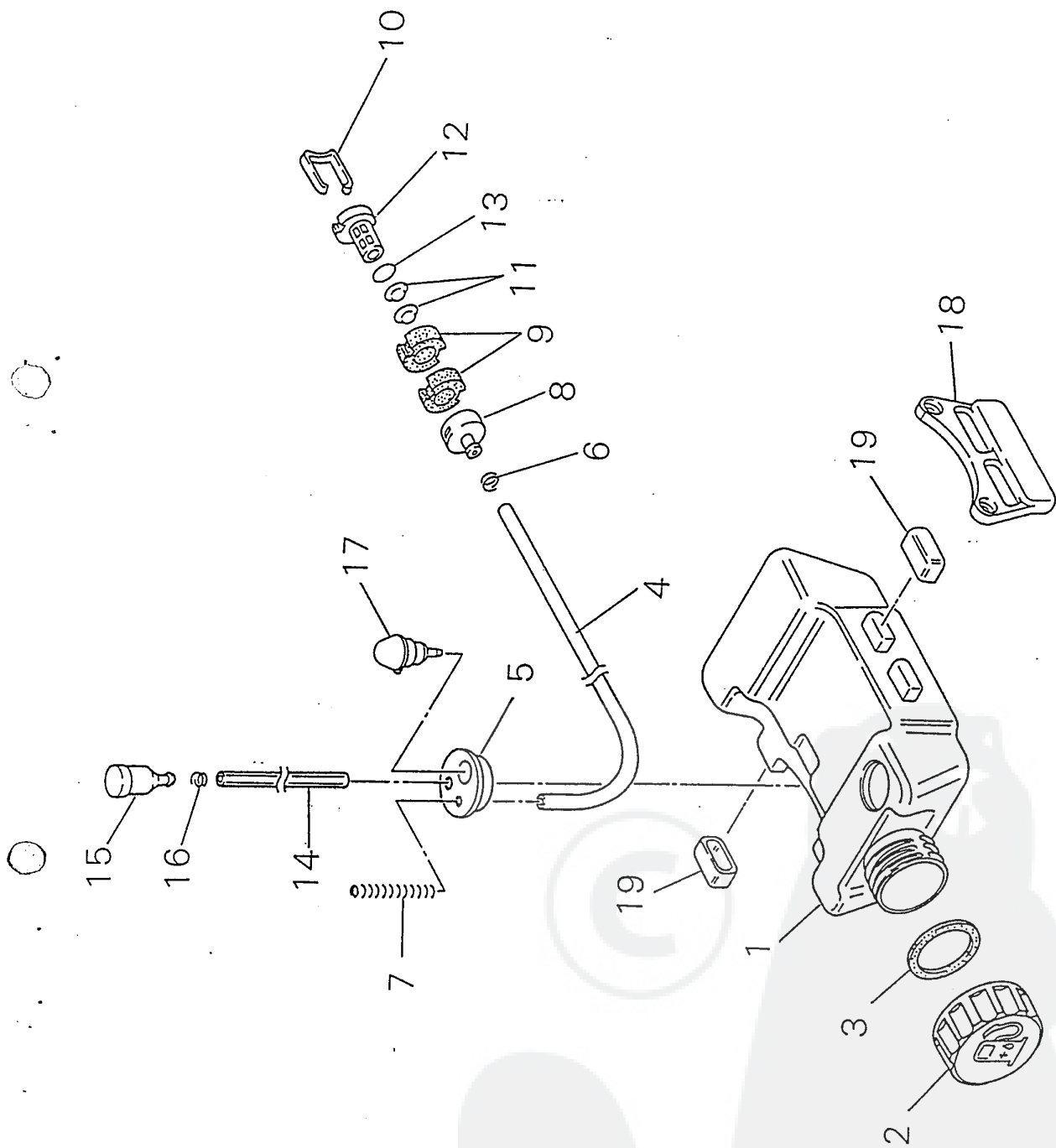
Ref. No	Part No.	Part Name	Qty	Unit Price	Remarks
6-	70139-81001	CARBURETOR ASSY	1	12,900	
	20019-81021	* CARBURETOR SUB ASSY	1	10,200	
1	20055-81810	** CABLE ADJUSTER	1	680	
2	20000-81260	** LOCK NUT	1	70	
3	70107-81830	** ADJUST PIPE	2	510	
4	20019-81111	** BODY TOP COMP	1	3,010	
5	20019-81120	** SCREW	1	40	
6	20055-81130	** CAP	1	110	
7	20000-81140	** SPRING THROTTLE	1	120	
8	20000-81150	** SPRING RECEIVE	1	60	
9	20019-81171	** JET NEEDLE	1	650	
10	20019-81181	** THROTTLE VALVE	1	3,200	
11	20019-81280	** RING GASKET	1	140	
12	20019-81290	** SCREEN	1	180	
13	20019-81310	** SLOW STOP SCREW	1	110	
14	72920-81820	** SPRING	1	50	
15	20070-81350	** MAIN ADJUST SCREW	1	710	
16	20011-81360	** SPRING	1	50	
17	20040-81430	** SPRING	1	140	
18	20019-81440	** NEEDLE VALVE	1	610	
19	20019-81450	** CONTROL LEVER	1	230	
20	20011-81460	** PIN	1	120	
21	20011-81470	** SCREW	2	40	
22	20019-81510	** GASKET	1	90	
23	20019-81520	** DIAPHRAGM ASSY	1	1,150	
24	20019-81530	** COVER DIAPHRAGM	1	350	
25	20000-81540	** SCREW	4	30	
26	20019-81560	** PLATE	1	280	
27	20019-81570	** CHECK VALVE	1	320	
28	20019-81580	** GASKET	1	110	
29	20019-81610	** PUMP PLATE	1	180	
30	20019-81620	** DIAPHRAGM PUMP	1	420	
31	20019-81630	** GASKET	1	110	
32	20019-81640	** PUMP COVER	1	850	
33	20019-81660	** GASKET	1	110	
34	20019-81670	** COVER DIAPHRAGM	1	430	
35	20019-81680	** SCREW	4	40	
36	20011-81680	** SPRING	1	100	

PARTS LIST
SHINDAIWA
(L138 LIA0380P)

C250/VK

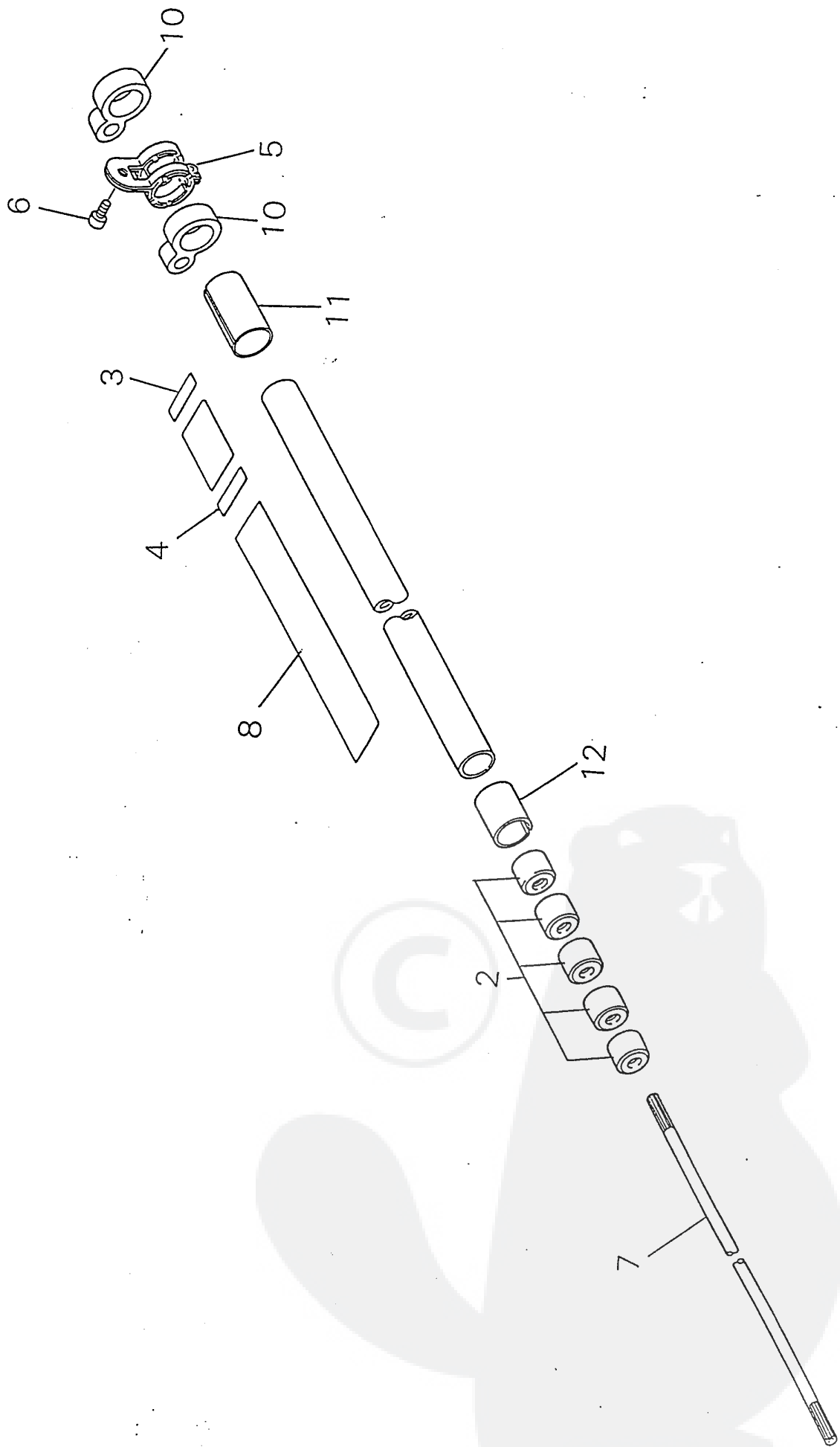
PRICE:(¥)

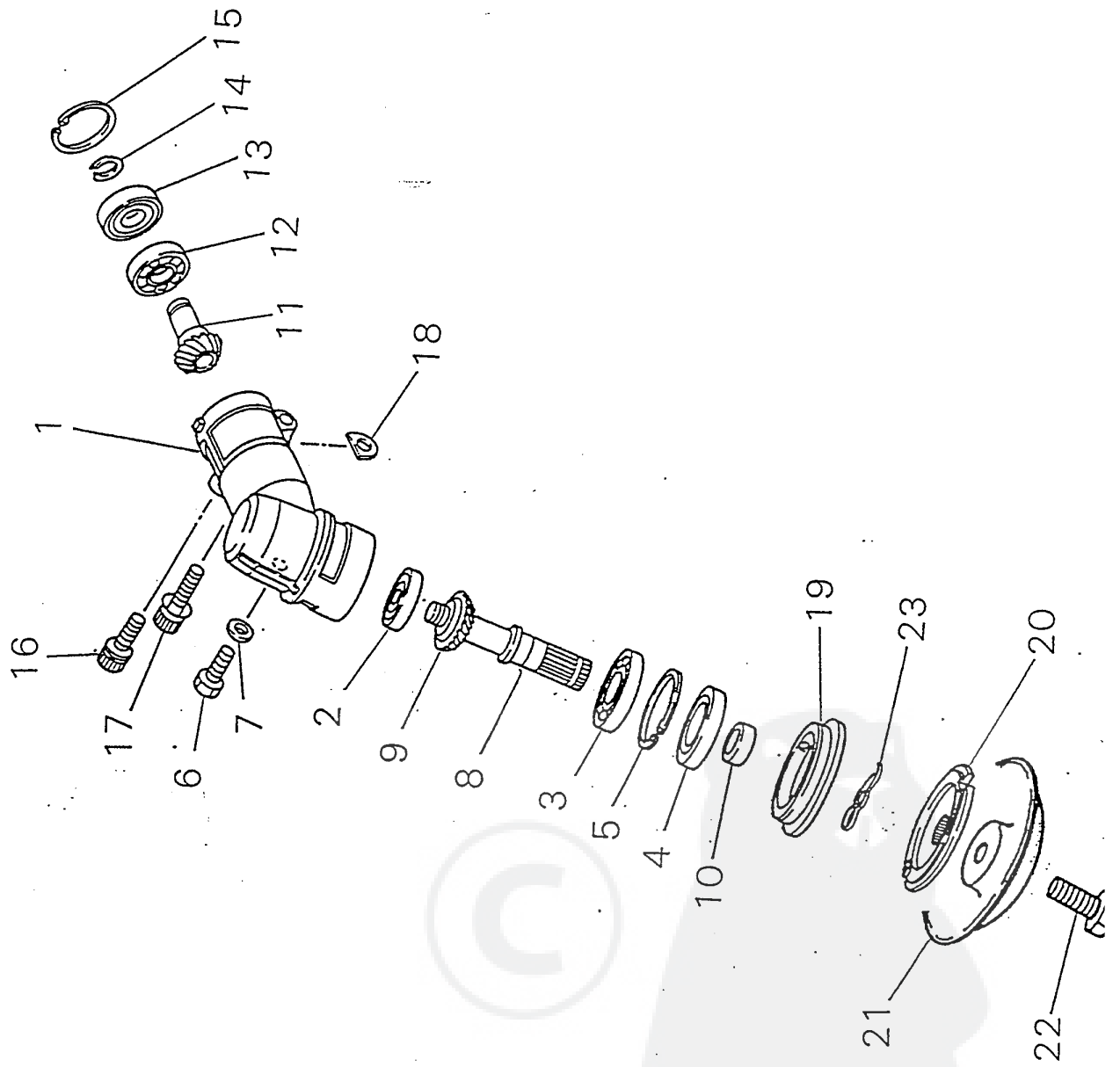
Ref. No	Part No.	Part Name	Q'ty	Unit Price	Remarks
6- 37	70135-81712	· CLEANER BODY COMP	1	400	
38	20018-81721	· BACK PLATE	1	350	
39	20018-81750	· FILTER	1	220	
40	20018-81760	· CLEANER COVER	1	500	
41	20024-81781	· KNOB CLEANER	1	240	
42	22100-82430	· O RING	1	40	
43	20024-81790	· CONE WASHER	1	30	
51	20018-81730	· PLATE	1	920	
45	01020-05550	BOLT	2	70	
46	01600-05131	SPRING WASHER	2	10	
47	20018-83311	PIPE	1	200	
48	20020-85540	CLIP	2	30	
49	20019-83320	SPRING	1	40	
50	20019-83410	GASKET	1	50	
44	20019-83420	PLATE	1	200	
	20019-83101	THROTTLE CABLE SUB ASSY	1	600	
52	20019-83111	· THROTTLE CABLE	1	400	
53	70056-83190	· CONECTOR	1	230	
54	20019-83131	CORD	1	130	
55	20005-83160	CABLE CAP	1	60	
56	20024-83152	CABLE HOLDER	1	70	



PRICE:(¥)

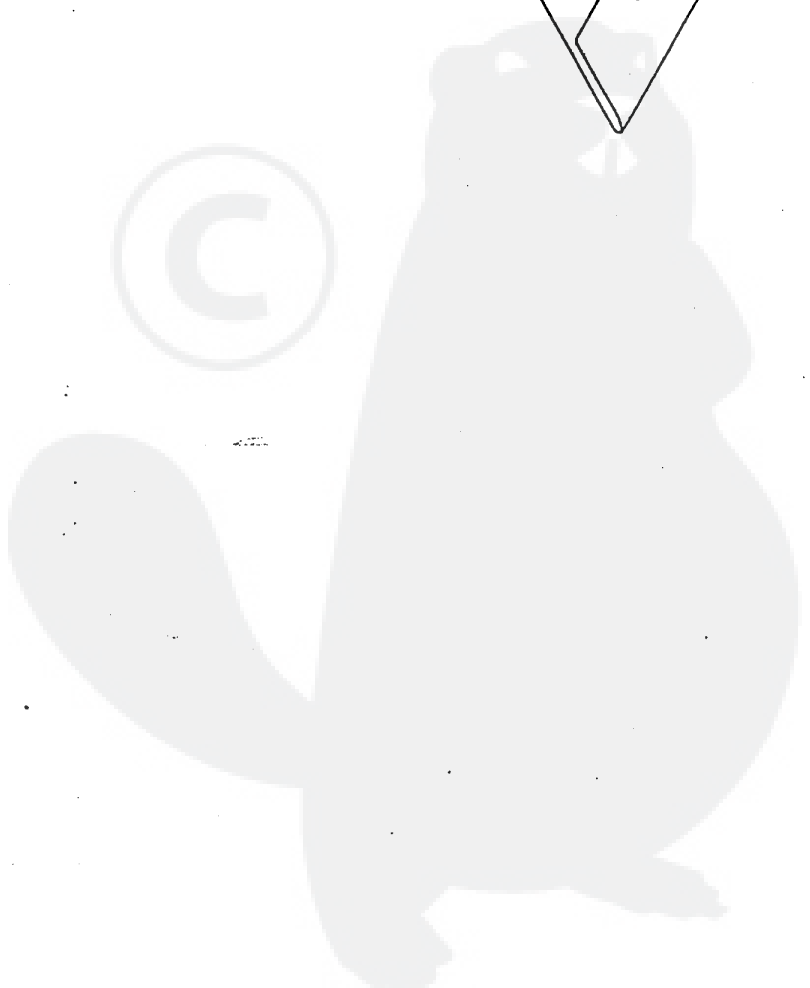
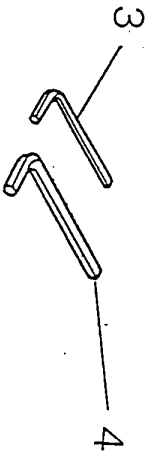
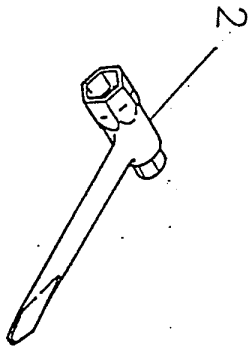
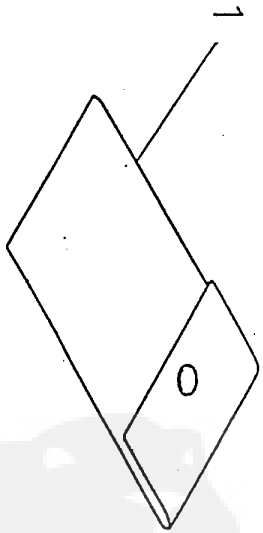
Ref. No	Part No.	Part Name	Qty	Unit Price	Remarks
7-	20019-85000	FUEL TANK ASSY	1	5,270	
1	20018-85112	· FUEL TANK	1	1,450	
	70043-85200	· FUEL CAP SUB ASSY	1	220	
2	70043-85210	· FUEL CAP	1	170	
3	20000-85220	· GASKET FUEL	1	60	
	20018-85311	· FUEL PIPE ASSY	1	490	
4	70064-85311	· FUEL PIPE	1	120	
5	20019-85350	· GROMMET	1	200	
6	20020-85540	· CLIP	2	30	
7	20019-85340	· SPRING	1	40	
	22115-85401	· FUEL FILTER SUB ASSY	1	1,130	
8	22128-85410	· WEIGHT FUEL	1	270	
9	22128-85421	· FILTER	2	110	
10	22128-85440	· CLIP FILTER	1	100	
11	22118-85460	· SCREEN	2	170	
12	22128-85470	· SLEEVE	1	160	
13	22128-85480	· RING	1	50	
	20018-85501	· BREATHER ASSY	1	1,350	
14	20018-85511	· BREATHER PIPE	1	240	
15	20035-85522	· VALVE	1	620	
16	20020-85540	· CLIP	1	30	
17	20019-85600	· PUMP COMP	1	630	
18	20018-86111	TANK HOLDER	1	600	
19	20018-86120	TANK CUSHION	4	50	

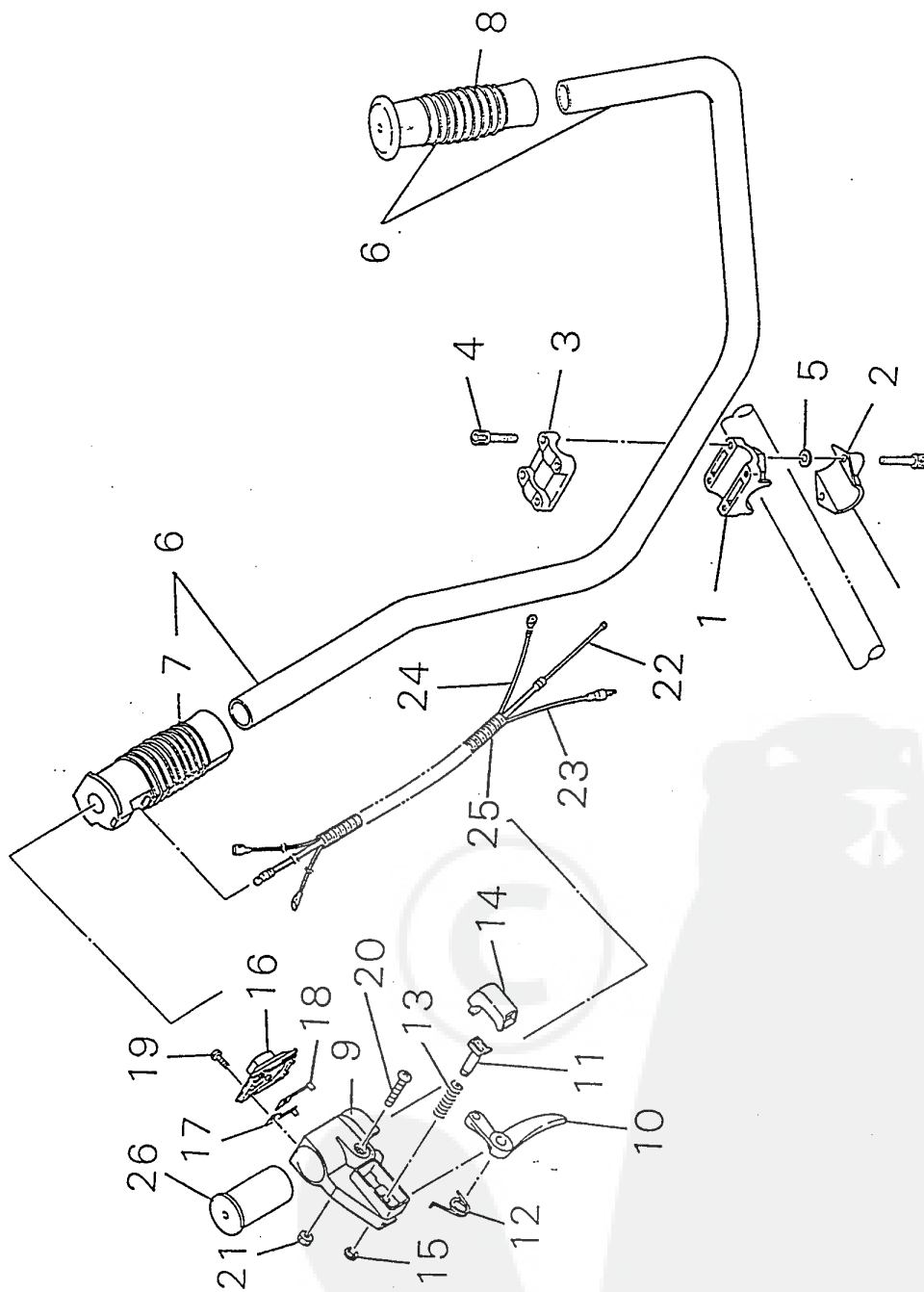




PRICE:(¥)

Ref. No	Part No.	Part Name	Q'ty	Unit Price	Remarks
9-	72483-13010	GEAR CASE SUB ASSY	1	16,200	
	22420-13020	• GEAR CASE SUB ASSY	1	13,300	
1	22420-13110	•• GEAR CASE	1	3,770	
2	02036-00608	•• BEARING	1	410	
3	02000-06001	•• BEARING	1	360	
4	22420-13140	•• OIL SEAL	1	340	
5	02432-28120	•• SNAP RING	1	40	
6	01014-06100	•• BOLT	1	20	
7	01610-06080	•• WASHER	1	10	
8	22420-13210	•• GEAR SHAFT	1	2,520	
9	22420-13220	•• BEVEL GEAR	1	2,110	
10	22000-13230	•• COLLAR	1	270	
11	22420-13310	•• BEVEL PINION COMP	1	2,600	
12	02000-00609	•• BEARING	1	280	
13	02002-00609	•• BEARING	1	360	
14	22420-13350	•• SNAP RING	1	40	
15	02432-24120	•• SNAP RING	1	40	
16	11022-05160	•• BOLT SPW	1	50	
17	11023-05250	•• BOLT SW	1	50	
18	22000-13420	•• SHIM	1	20	
19	22420-13510	• HOLDER A	1	1,530	
20	22000-13252	• HOLDER B	1	1,250	
21	72444-13290	• STABILIZER	1	400	
22	22000-13512	• BOLT	1	140	
23	22000-13530	• SLIDE PIN	1	130	





PRICE: (¥)

Ref. No.	Part No.	Part Name	Q'ty	Unit Price	Remarks
11-	72091-14100	BRACKET SUB ASSY	1	2,050	
1	72051-14110	· HANDLE BRACKET	1	750	
2	72051-14120	· LOWER CAP	1	430	
3	72051-14131	· UPPER CAP	1	490	
4	11022-05250	· BOLT SPW	6	50	
5	01610-05080	· WASHER	1	10	
6	72474-14200	HANDLE SUB ASSY	1	1,930	
7	22421-14220	· GRIP	1	560	
8	22421-14230	· GRIP	1	630	
	22421-14300	THROTTLE LEVER ASSY	1	4,370	
	22421-14310	· THROTTLE LEVER SUB ASSY	1	2,530	
9	22421-14320	·· BODY	1	1,260	
10	22421-14330	·· LEVER	1	960	
11	72435-14740	·· SHAFT	1	220	
12	72435-14750	·· RETURN SPRING	1	200	
13	72435-14760	·· SPRING	1	150	
14	72435-14770	·· BUTTON	1	270	
15	72435-14780	·· SNAP RING	1	60	
16	72447-14830	·· SWITCH COMP	1	1,480	
17	22421-14860	· EARTH PLATE	1	70	
18	22421-14870	· EARTH PLATE	1	70	
19	72447-14890	· SCREW TAPPING	2	30	
20	11203-05250	· SCREW PM	1	20	
21	72447-14950	· NYLON NUT	1	80	
	22421-14502	CABLE ASSY	1	1,860	
22	22421-14511	· THROTTLE CABLE	1	580	
23	22421-14522	· CORD	1	170	
24	22421-14532	· CORD	1	170	
25	22421-14542	· TUBE	1	600	
26	22421-14610	SPACER	1	360	

PARTS LIST
SHINDAIWA
(LI38 LIA0380P)

C250/VK

