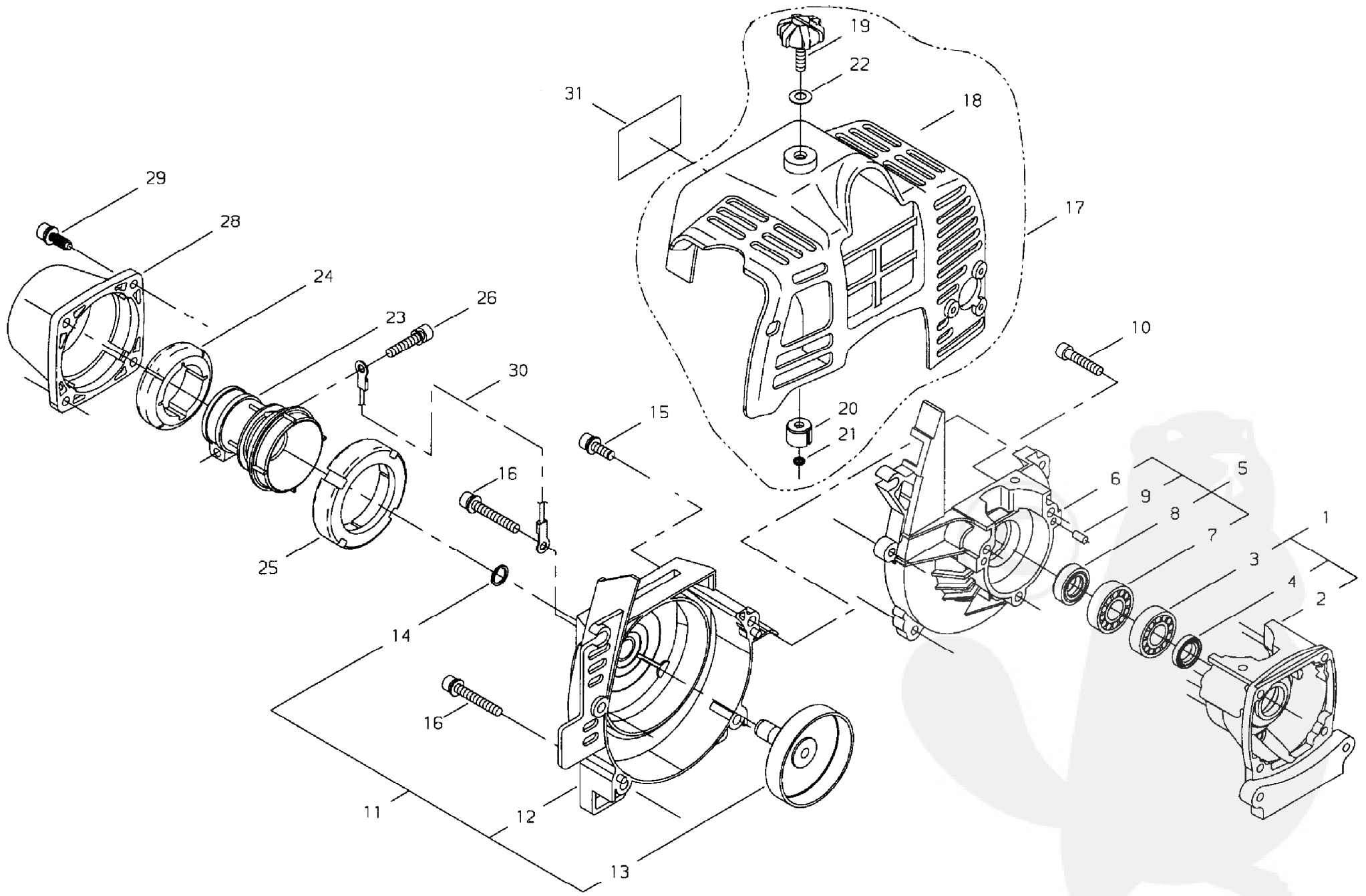
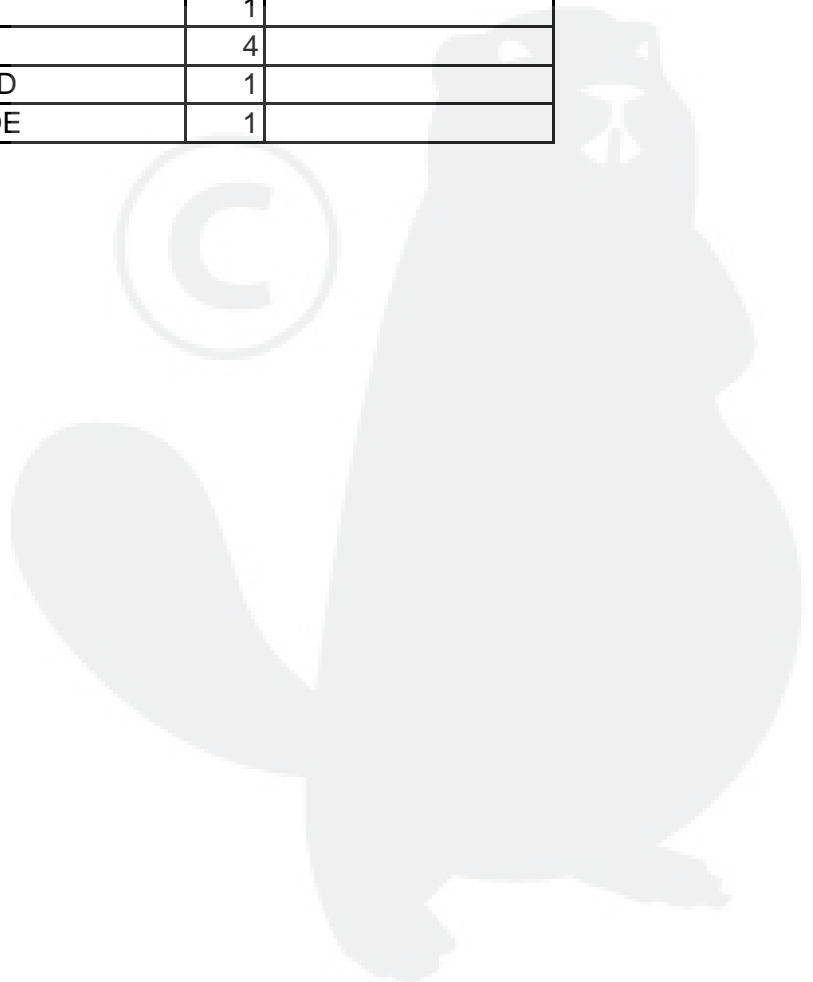
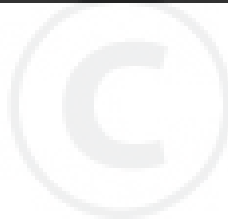


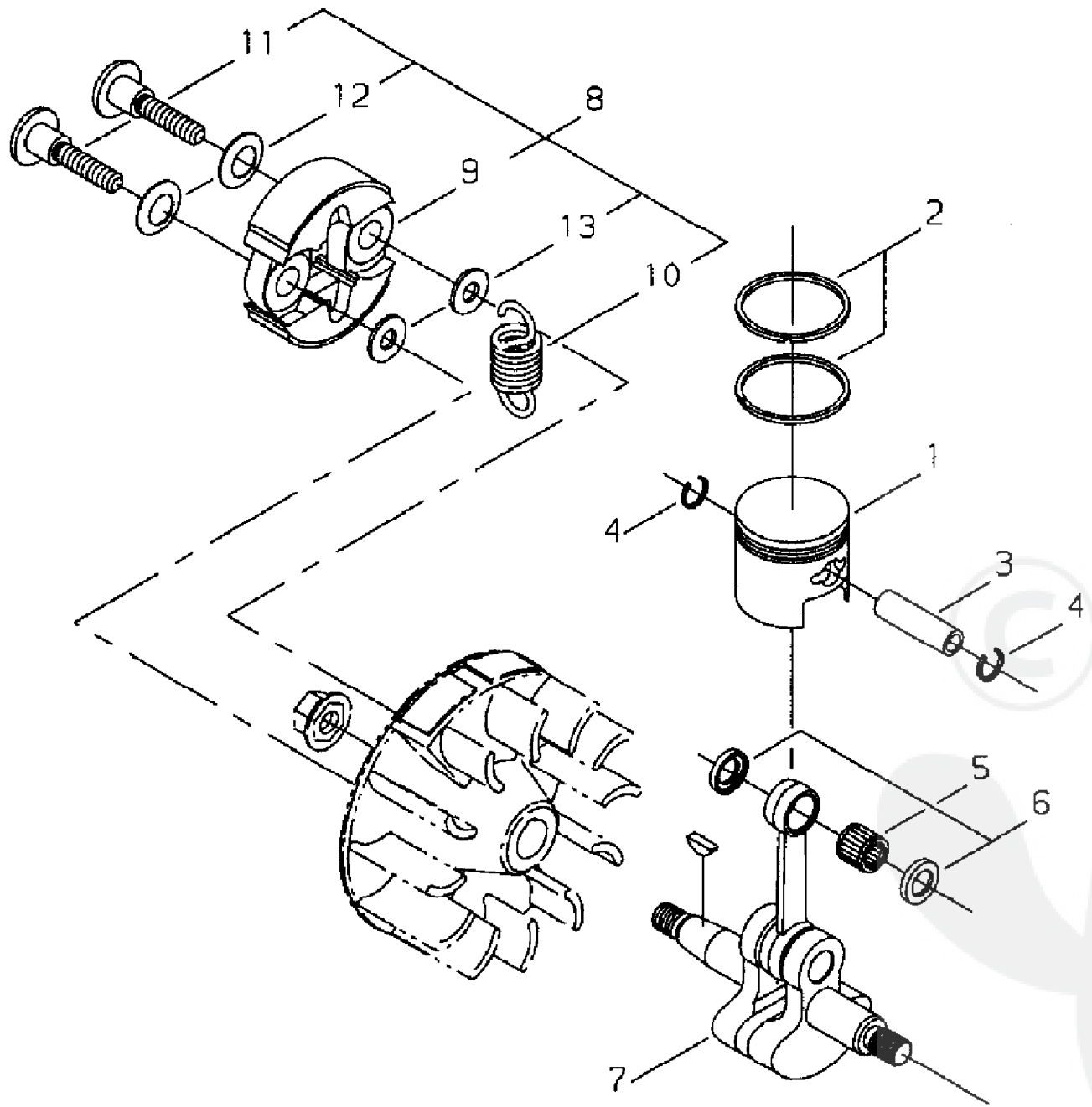
Ref. No	Part No.	Part Name	Q`ty	Remarks,Serial No.
1- 1	62809-12111	CYLINDER	1	
2	20016-12120	GASKET	1	
3	01020-05250	BOLT	2	
4	20016-12212	INSULATOR	1	
5	20016-12220	GASKET	1	
7	11022-05300	BOLTSW	2	
8	70135-15110	MUFFLER	1	
9	20016-15123	GASKET	1	
10	01020-05500	BOLT	2	
11	01610-05080	WASHER	2	
12	01020-05120	BOLT	1	





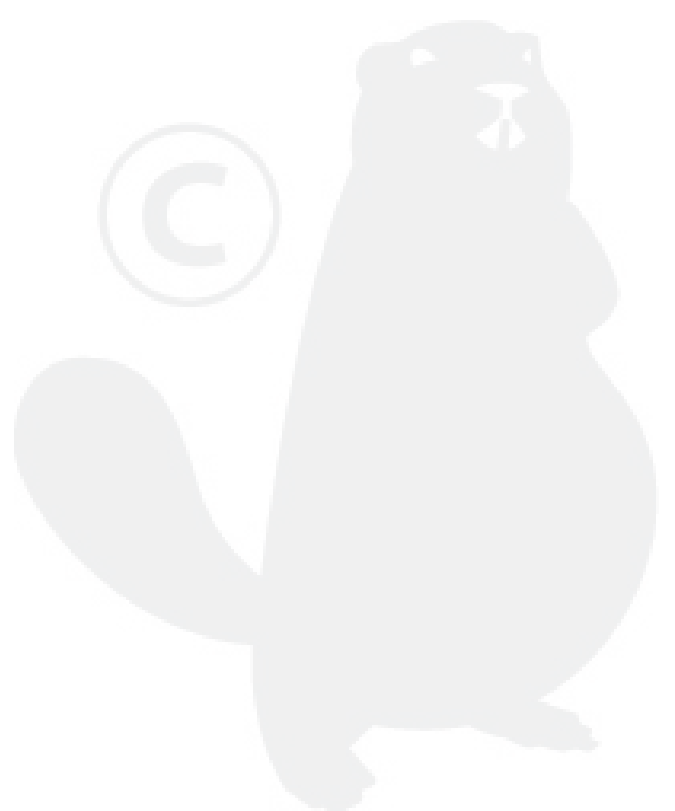
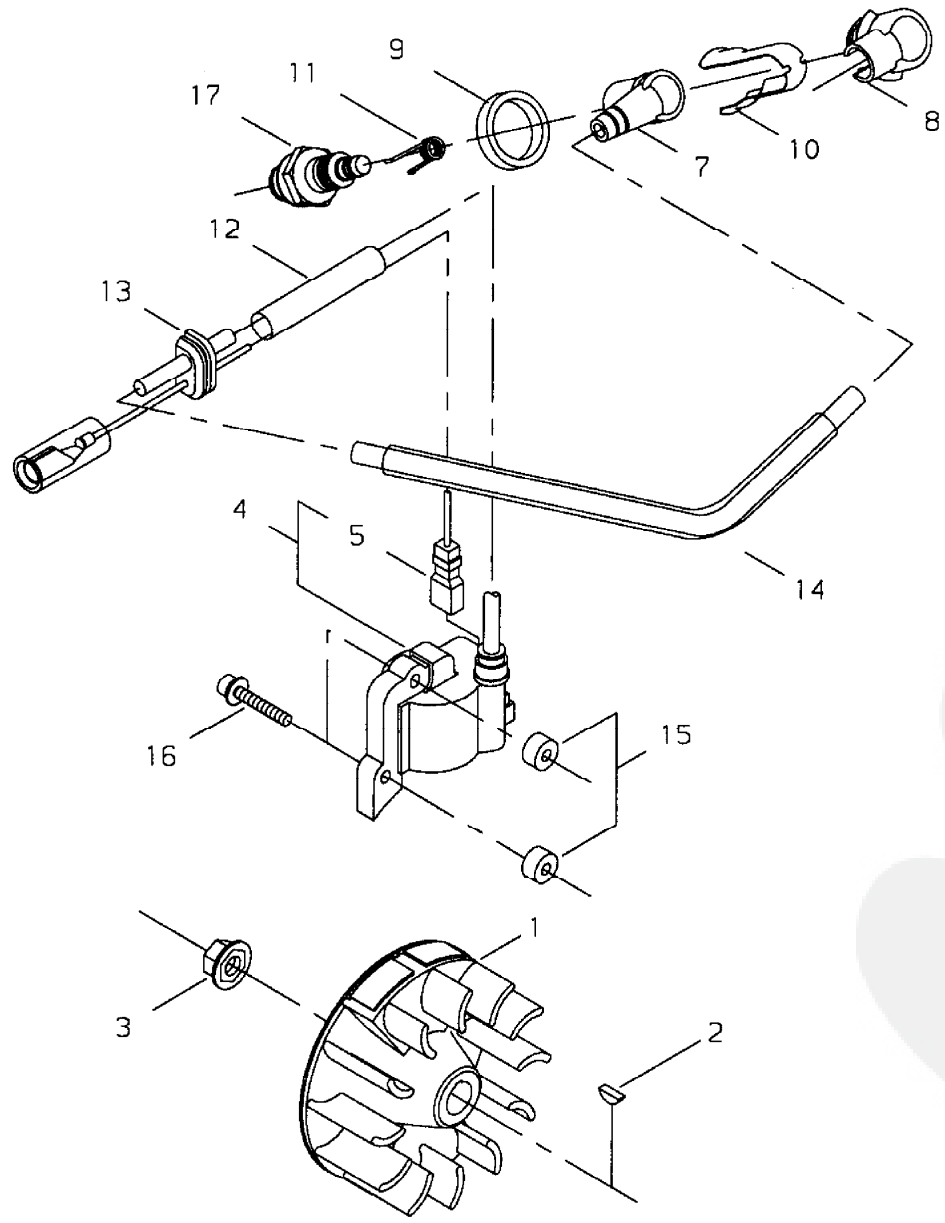
2- 1	20016-21100	CRANKCASESCOMP	1	
2	20016-21111	*CRANKCASES	1	
3	12900-60010	*BEARING	1	
4	22150-21250	*OILSEAL	1	
5	20016-21200	CRANKCASEMCOMP	1	
6	20016-21120	*CRANKCASEM	1	
7	12900-60010	*BEARING	1	
8	20000-21211	*OILSEAL	1	
9	12492-40080	*ROLLER	2	
10	01020-05250	BOLT	3	
11	62078-31010	FANCOVERASSY	1	
12	70140-31112	*FANCOVER	1	
13	20016-31212	*CLUTCHDRUM	1	
14	20000-31140	*SNAPRING	1	
15	11022-05160	BOLTSPW	2	
16	11022-05450	BOLTSPW	2	
17	37027-32100	CYLINDERCOVERASSY	1	
18	70140-32111	*CYLINDERCOVER	1	
19	20018-31251	*KNOB	1	
20	20018-31260	*INSULATOR	1	
21	20018-31270	*CLIP	1	
22	20024-81790	*CONEWASHER	1	
23	20018-31410	JOINT	1	
24	20018-31420	FRONTCUSHION	1	
25	20018-31430	REARCUSHION	1	
26	11023-05250	BOLT SW	1	
28	70135-31470	CAP	1	
29	70140-31480	BOLTPC	4	
30	70192-31510	EARTHCORD	1	
31	70140-32121	LABELTRADE	1	





3- 1	20075-41110	PISTON	1	
2	20000-41210	PISTONRING	2	
3	20016-41310	PISTONPIN	1	
4	70030-41320	SNAPRING	2	
5	20016-41330	NEEDLEBEARING	1	
6	20016-41340	THRUSTWASHER	2	
7	20016-42002	CRANKSHAFTASSY	1	
8	70140-51102	CLUTCHSHOEASSY	1	
9	70140-51113	*CLUTCHSHOE	2	
10	37013-51310	*COILSPRING	1	
11	20087-51210	*BOLT	2	
12	20087-51231	*SPRINGPLATE	2	
13	22100-71430	*WASHER	2	

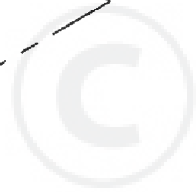
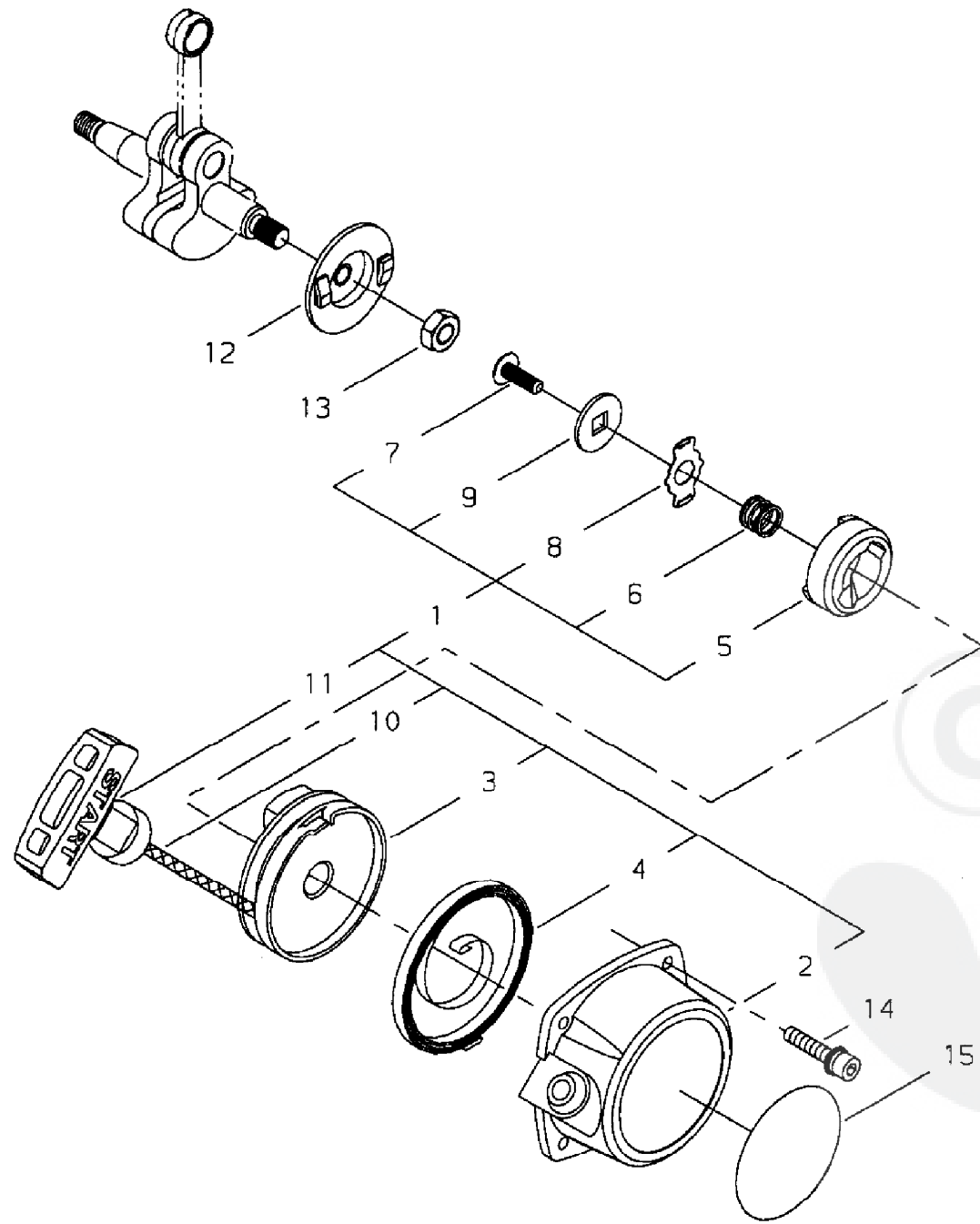




4-1	20016-71200	ROTOR	1	
2	02403-03100	KEY	1	
3	20035-71220	NUT	1	
4	20016-71601	COILASSY	1	
5	20016-71641	*CORD	1	
7	20010-72221	PLUGCAP	1	
8	20000-72241	PLUGCAPCOVER	1	
9	20000-72250	COVERBAND	1	
10	70180-72260	SHIELD	1	
11	20000-72230	SPRINGSPARKPLUG	1	
12	20016-71651	TUBE	1	
13	20010-72110	GROMMET	1	
14	20016-71660	TUBE	1	
15	70030-71620	INSULATOR	2	
16	11024-04261	BOLTSLPW	2	
17	13000-13406	SPARKPLUGBMR6A	1	

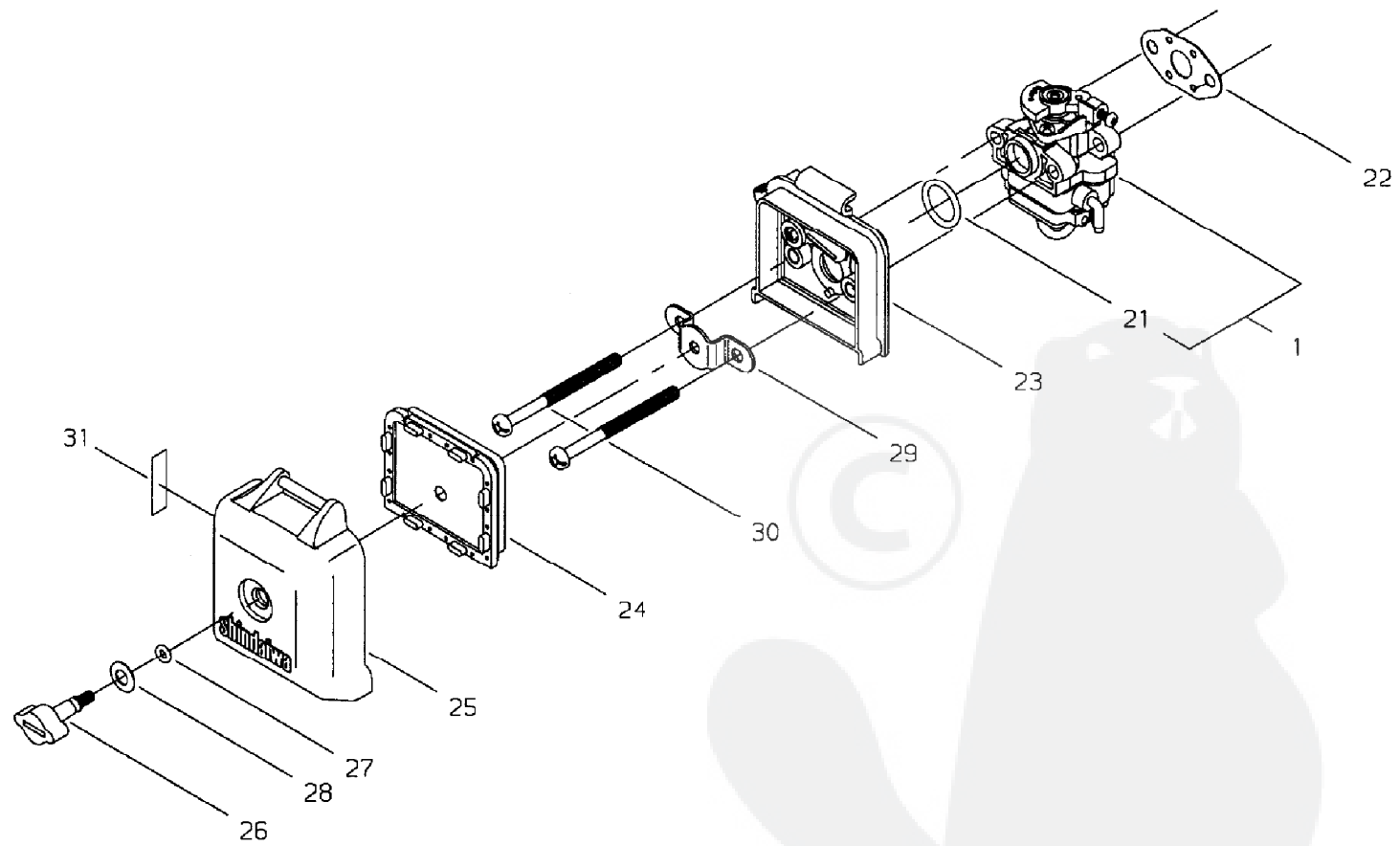
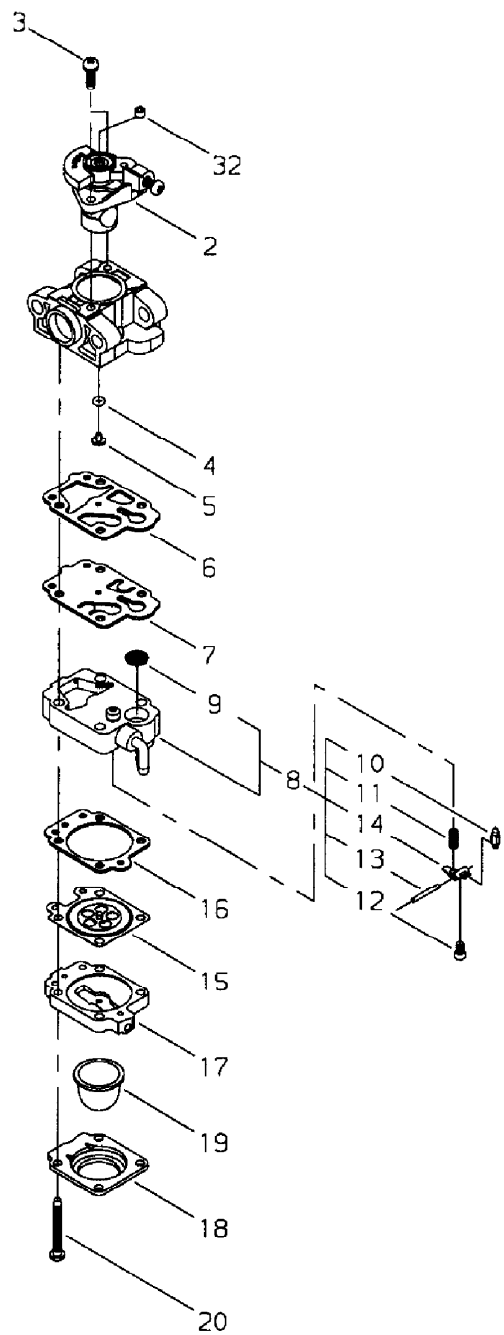




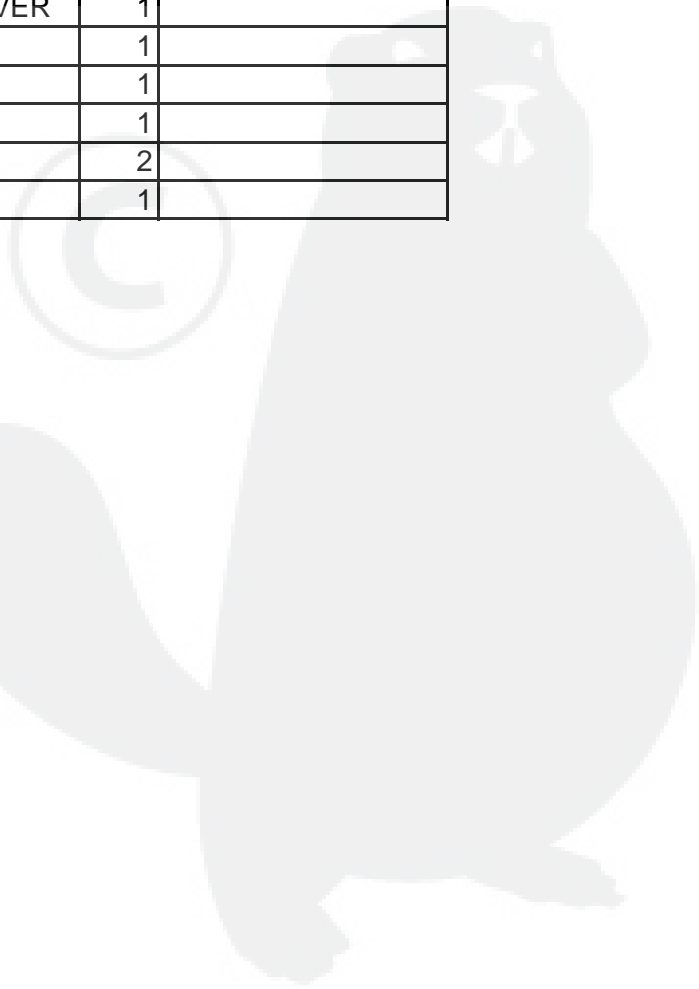


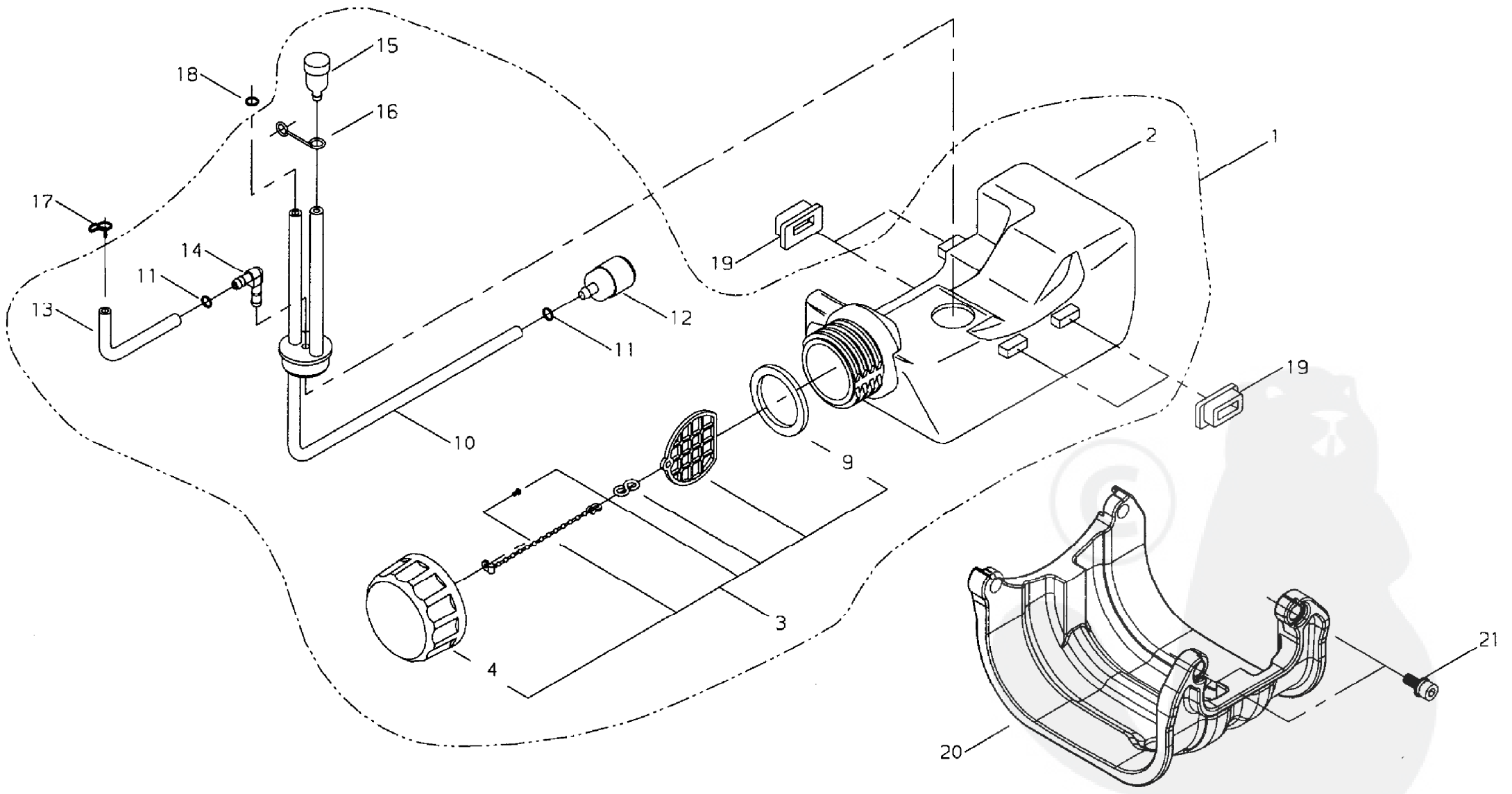
5- 1	72933-75900	RECOILSTARTERSUBASS	1	
2	70064-75110	*STARTERCASE	1	
3	72933-75120	*REEL	1	
4	70064-75130	*RECOILSPRING	1	
5	72933-75140	*DOG	1	
6	70064-75150	*WAVEWASHER	1	
7	72933-75160	*SCREW	1	
8	72933-75170	*RETAINER	1	
9	72933-75180	*WASHER	1	
10	70064-75190	*ROPE	1	
11	32004-75150	*KNOB	1	
12	70064-75310	STARTERPULLEY	1	
13	01511-08051	NUT	1	
14	11060-04122	BOLTADHESIVE	4	
15	70117-75311	NAMEPLATE	1	





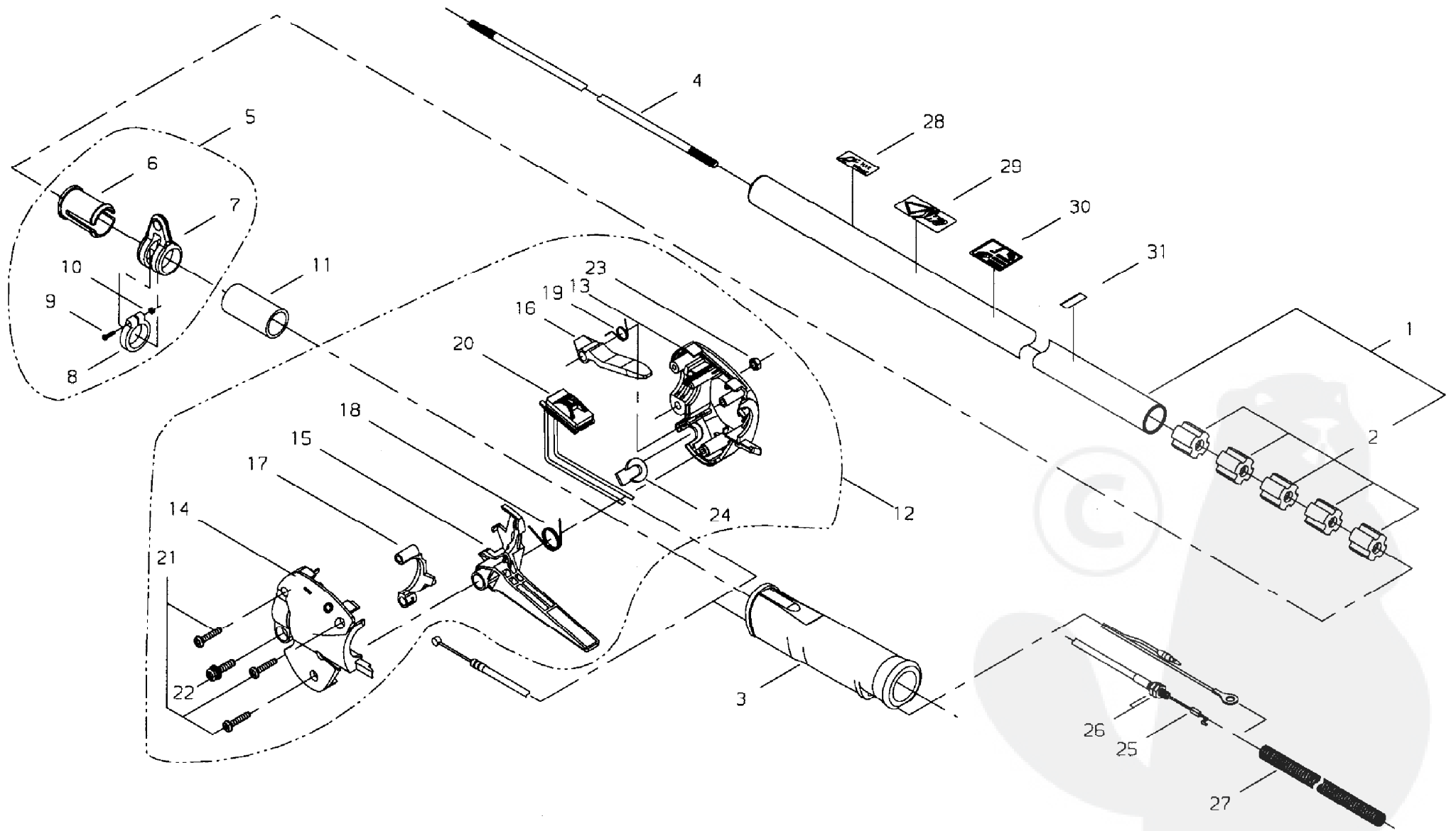
6- 1	62064-81011	CARBURETORASSY	1	
2	20016-81180	*VALVEASSY	1	
3	70064-81290	*SCREW	2	
4	70097-81220	*ORING	1	
5	62064-81310	*MAINJET	1	
6	70097-81310	*GASKETPUMP	1	
7	70097-81320	*DIAPHRAGM	1	
8	20016-81410	*PUMPBODYCOMP	1	
9	70030-81380	**SCREEN	1	
10	20036-81440	**NEEDLEVALVE	1	
11	20016-81270	**SPRING	1	
12	20016-81450	**SCREW	1	
13	22100-81250	**PIN	1	
14	22100-81230	**LEVER	1	
15	37013-81310	*DIAPHRAGM	1	
16	20016-81280	*GASKET	1	
17	20016-81420	*PUMPBASECOMP	1	
18	20016-81510	*PUMPCOVER	1	
19	20036-81670	*PRIMERPUMP	1	
20	20016-81140	*SCREW	4	
21	20016-81250	*ORING	1	
32	62074-81320	*PLAG	1	
22	20016-81530	GASKET	1	
23	70140-81710	CLEANERBODYCOMP	1	
24	60023-98031	FILTER	1	
25	70140-81760	CLEANERCOVER	1	
26	20115-81780	KNOBCLEANERCOVER	1	
27	22100-82430	ORING	1	
28	20024-81790	CONEWASHER	1	
29	20018-81721	BACKPLATE	1	
30	11203-05608	SCREWPSW	2	
31	19404-00008	LABELCHOKE	1	



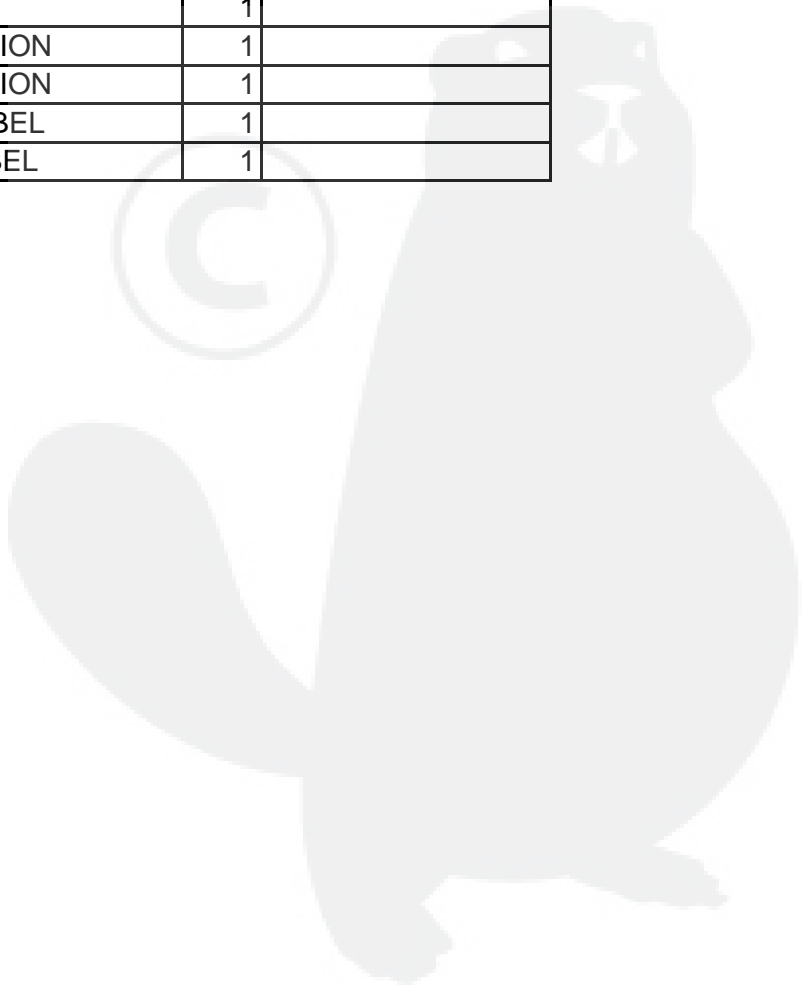
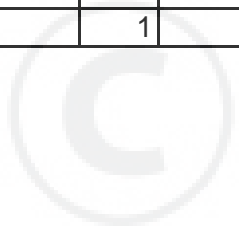


7- 1	70192-85001	FUELTANKASSY	1	
2	20016-85112	*FUELTANK	1	
3	70168-85201	*FUELCAPASSY	1	
4	70168-85210	**FUELCAP	1	
9	20000-85221	**GASKET	1	
10	20016-85310	*FUELPIPE	1	
11	20020-85540	*CLIP	2	
12	20016-85400	*FUELFILTER	1	
13	20089-83311	*PIPE	1	
14	20087-85340	*JOINT	1	
15	20035-85522	*VALVE	1	
16	20016-12310	*VALVEHOLDER	1	
17	37013-85310	CLIP	1	
18	20020-85540	CLIP	1	
19	20024-86120	TANKCUSHION	4	
20	62902-85320	TANKGUARD	1	
21	11022-05180	BOLTSPW	2	

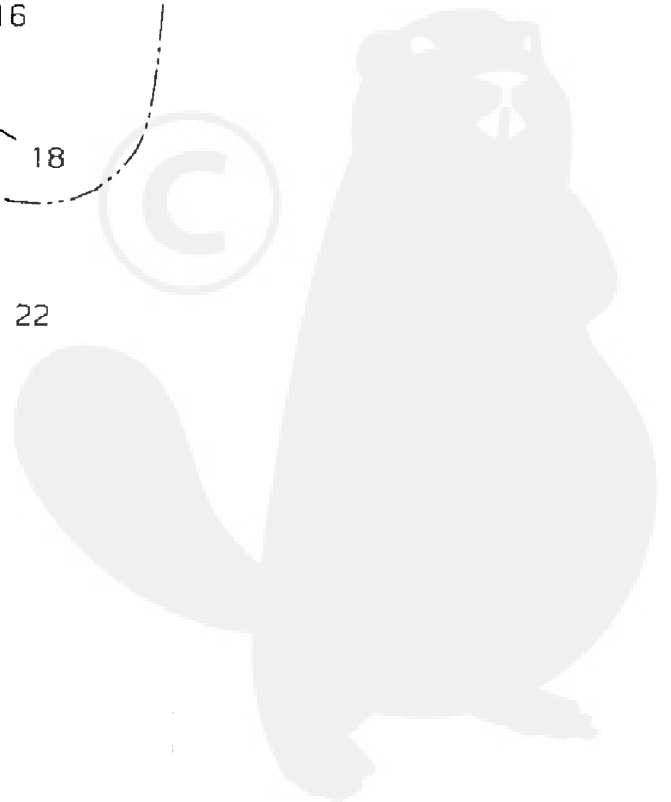
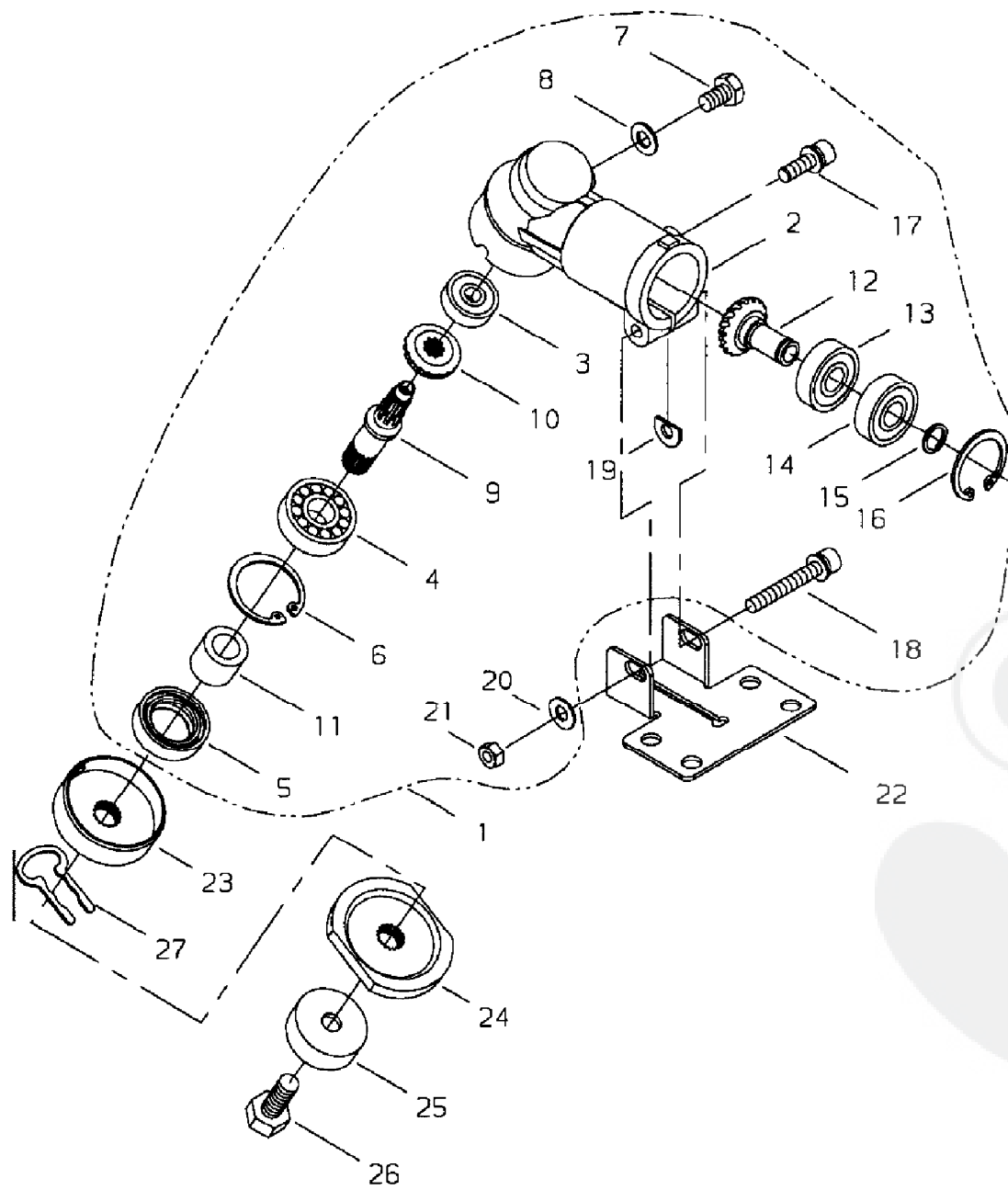




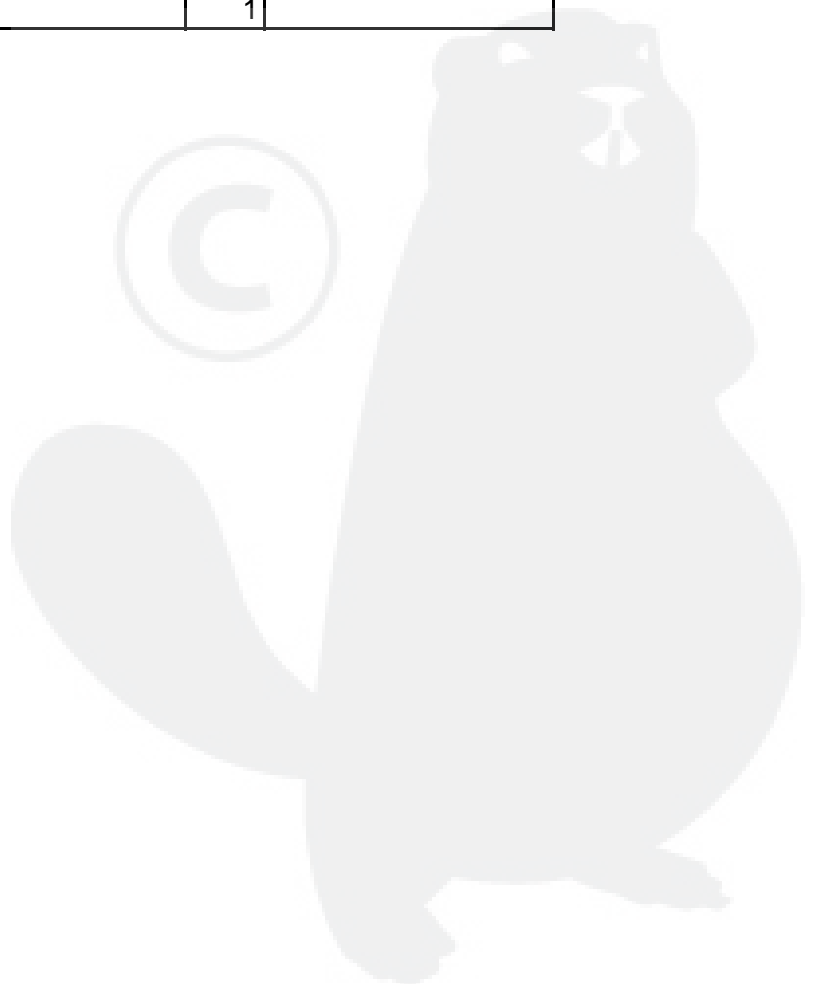
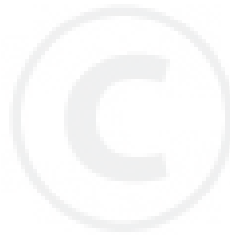
8- 1	72432-12100	OUTERPIPECOMP	1	
2	22035-12120	*BUSH	5	
3	63901-62140	GRIP	1	
4	22070-12410	MAINSHAFT	1	
5	33008-62340	HANGERASSY	1	
6	33008-62321	*COLLAR	1	
7	33008-62151	*HANGER	1	
8	33008-62311	*CLAMP	1	
9	11203-04160	*SCREWPM	1	
10	01500-04031	*NUT	1	
11	65006-62310	PROTECTOR	1	
12	63002-62161	THROTTLELEVERASSY	1	
13	63002-62320	*BODYRIGHT	1	
14	63002-62330	*BODYLEFT	1	
15	63002-62340	*LEVER	1	
16	63901-62352	*LOCKLEVER	1	
17	63002-62350	*HOLDER	1	
18	63880-65350	*COILSPRING	1	
19	63901-62370	*COILSPRING	1	
20	63002-62360	*SWITCH	1	
21	63880-65360	*SCREWTAPPING	3	
22	11206-05201	*SCREWPMSPW	1	
23	01501-05030	*NUT	1	
24	63880-65411	*PLUG	1	
25	63002-62170	THROTTLECABLE	1	
26	01501-06041	NUT	2	
27	22422-14540	TUBE	1	
28	19402-00223	LABELCAUTION	1	
29	19422-00010	LABELCAUTION	1	
30	19404-00036	LABELDECIBEL	1	
31	72017-12150	HANDLELABEL	1	

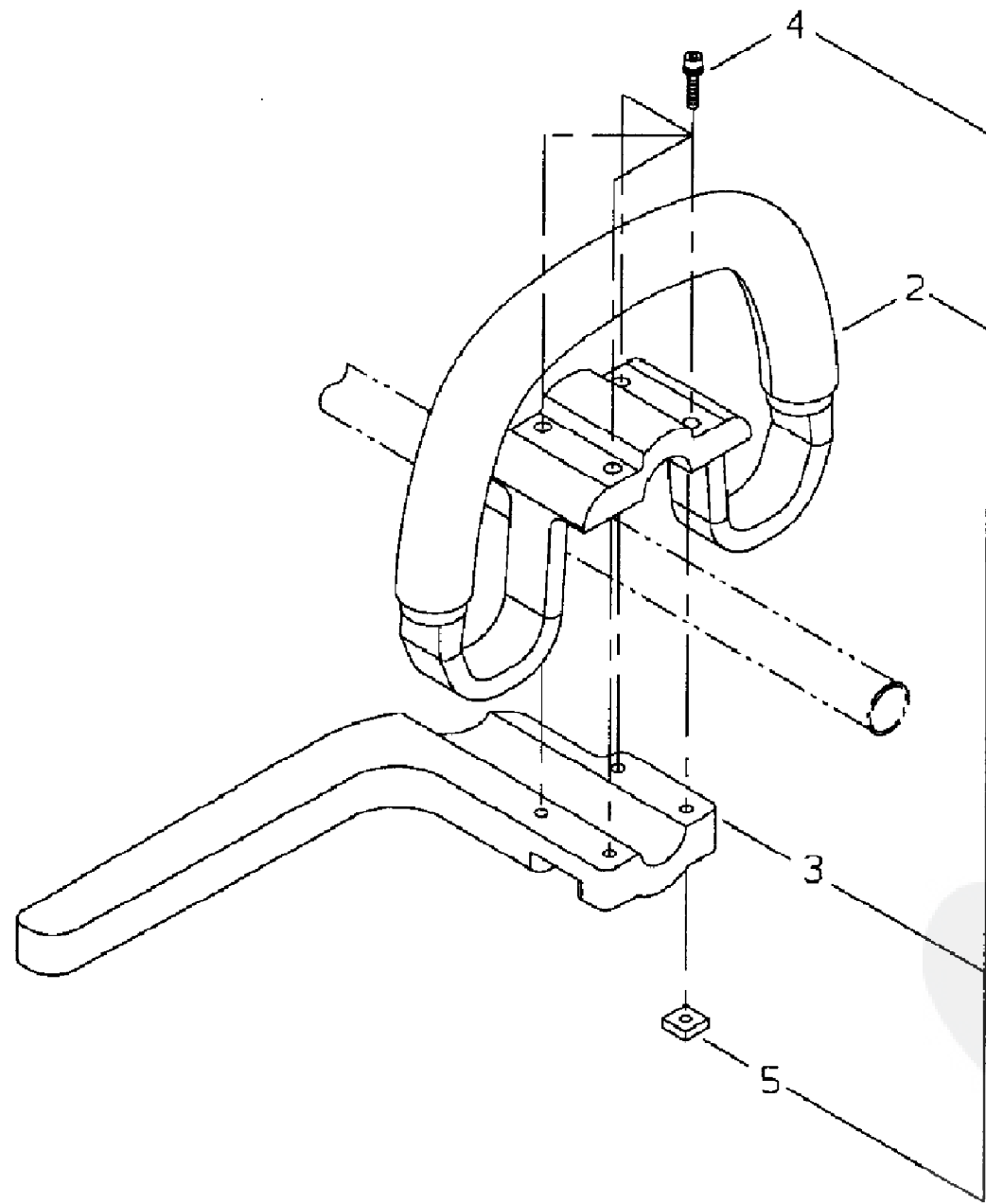






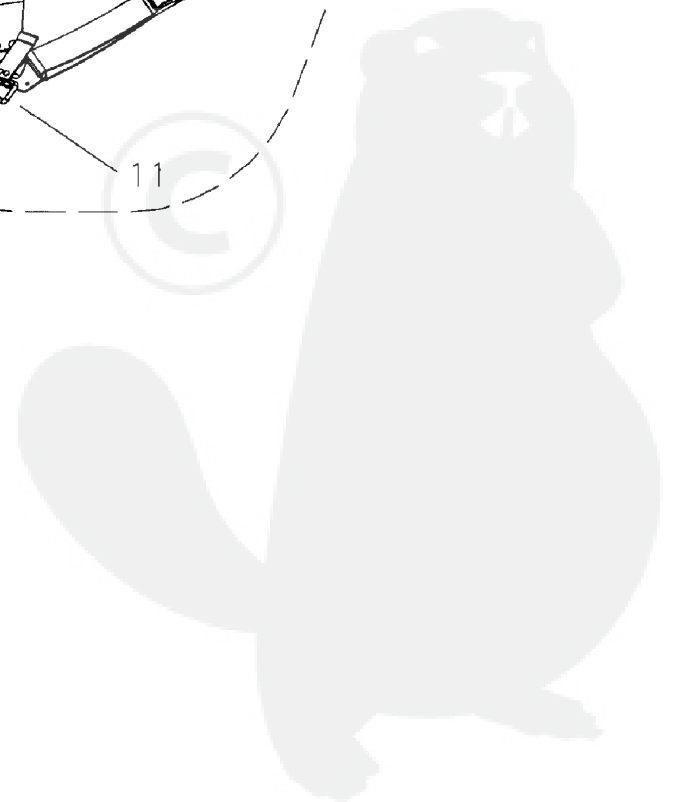
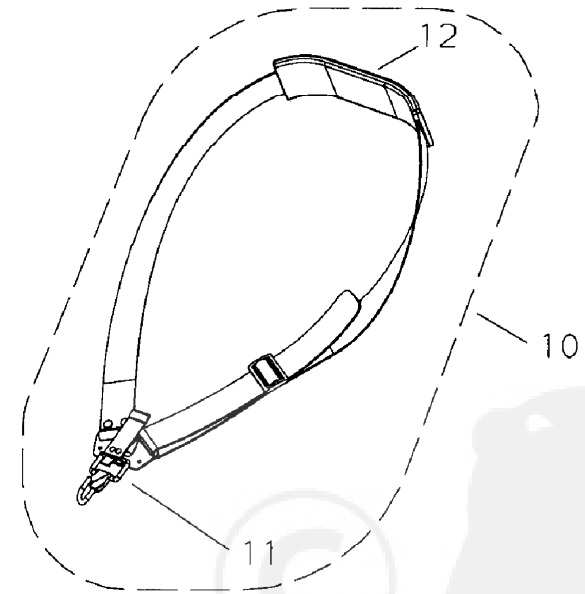
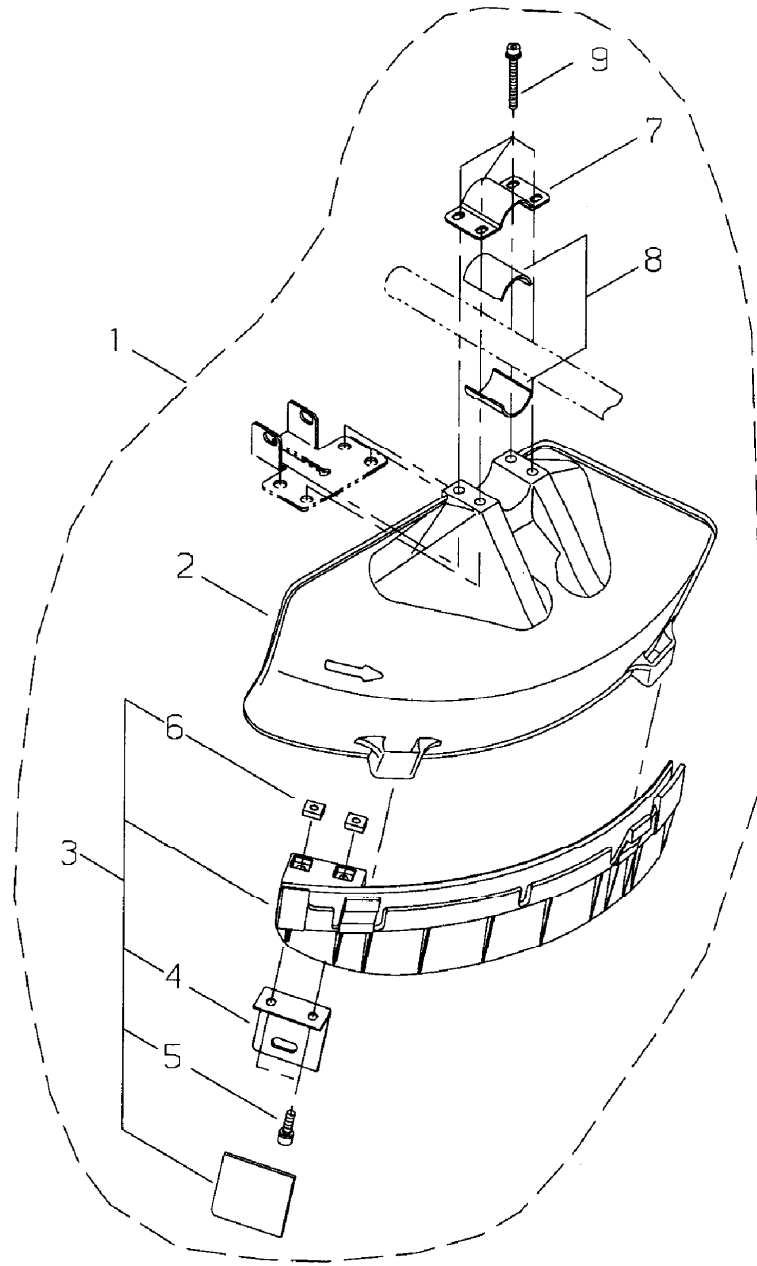
9- 1	63901-63022	GEARCASESUBASSY	1	
2	22035-13113	*GEARCASE	1	
3	02006-00626	*BEARING	1	
4	02000-06000	*BEARING	1	
5	22035-13140	*OILSEAL	1	
6	02432-26120	*SNAPRING	1	
7	01014-06100	*BOLT	1	
8	22000-13410	*GASKET	1	
9	22410-13210	*GEARSHAFT	1	
10	22035-13220	*BEVELGEAR	1	
11	22035-13230	*COLLAR	1	
12	22035-13391	*PINIONSET	1	
13	02000-00608	*BEARING	1	
14	02002-00608	*BEARING	1	
15	22035-13340	*SNAPRING	1	
16	02432-22100	*SNAPRING	1	
17	11022-05160	*BOLTSPW	1	
18	11022-05350	*BOLTSPW	1	
19	22000-13420	*SHIM	1	
20	01613-05080	*WASHER	1	
21	01500-05041	*NUT	1	
22	72480-16130	LOWERCLAMP	1	
23	22035-13242	HOLDERA	1	
24	22410-13251	HOLDERB	1	
25	22035-13290	BOLTGUARD	1	
26	22035-13271	BOLT	1	
27	22410-13530	SLIDECLIP	1	





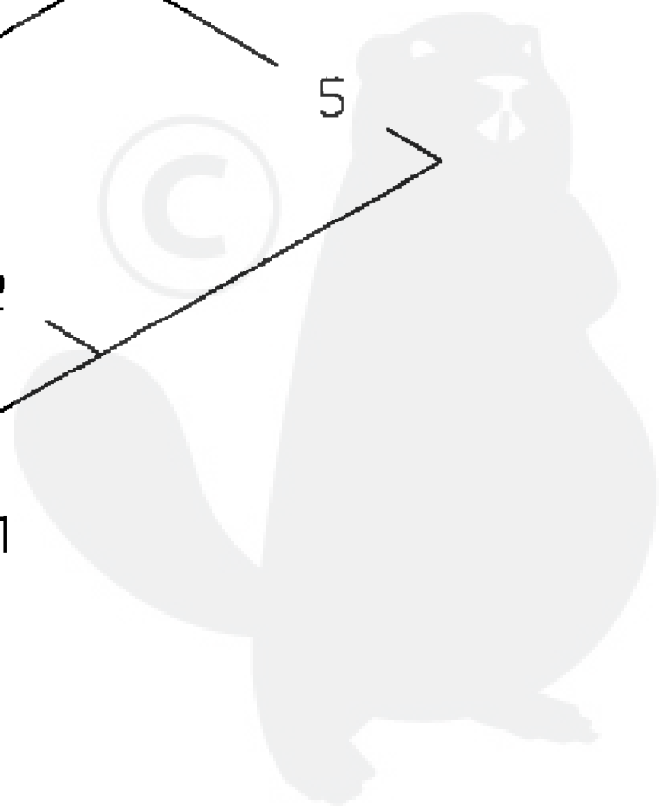
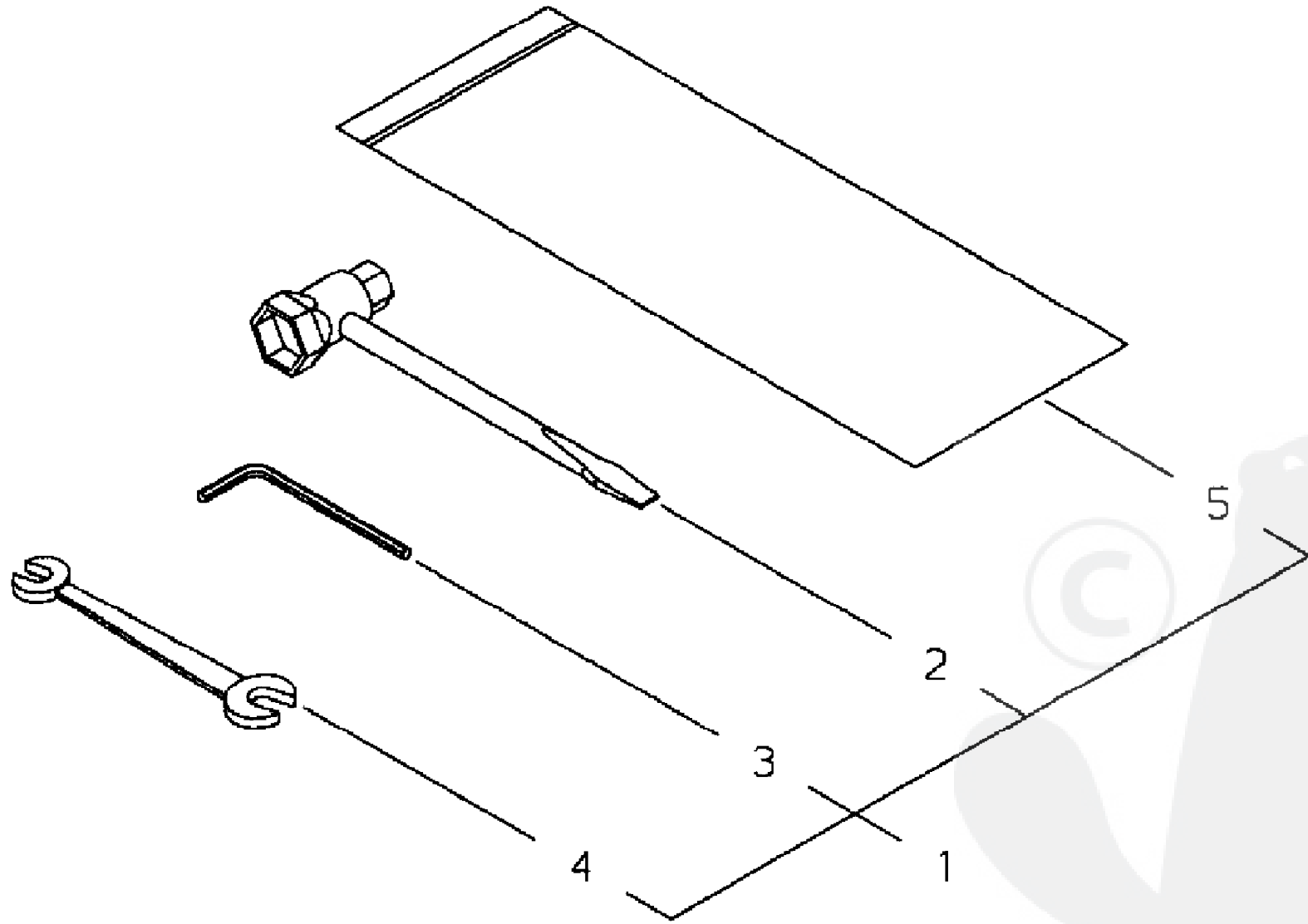
10- 1	60904-98310	HANDLEASSY	1	
2	62901-64113	*HANDLE	1	
3	65011-64120	*BARRIER	1	
4	11022-05350	*BOLTSPW	4	
5	22420-16120	*NUT	4	





11- 1	62903-66321	GUARDSET	1	
2	62903-66110	*GUARD	1	
3	62903-66331	*SUBGUARDASSY	1	
4	72480-16121	**CUTTER	1	
5	11020-05160	**BOLTSW	2	
6	22420-16120	**NUT	2	
7	72480-16210	*UPPERCLAMP	1	
8	72480-16220	*SPACER	2	
9	11022-05450	*BOLTSPW	4	
10	22421-17202	STRAPASSY	1	
11	22421-17130	*HOOK	1	
12	22007-17220	*PROTECTOR	1	

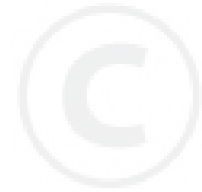
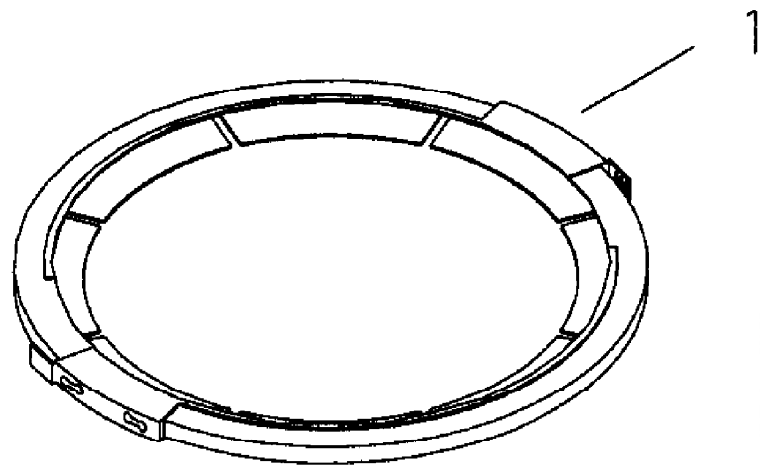




12- 1	22410-91000	TOOLSET	1	
2	22000-91181	*PLUGWRENCH	1	
3	09026-04001	*HEXAWRENCH	1	
4	22000-91120	*SPANNER	1	
5	19639-01400	*TOOLBAG	1	







13- 1	22550-92310	BLADECOVER	1	
-------	-------------	------------	---	--

