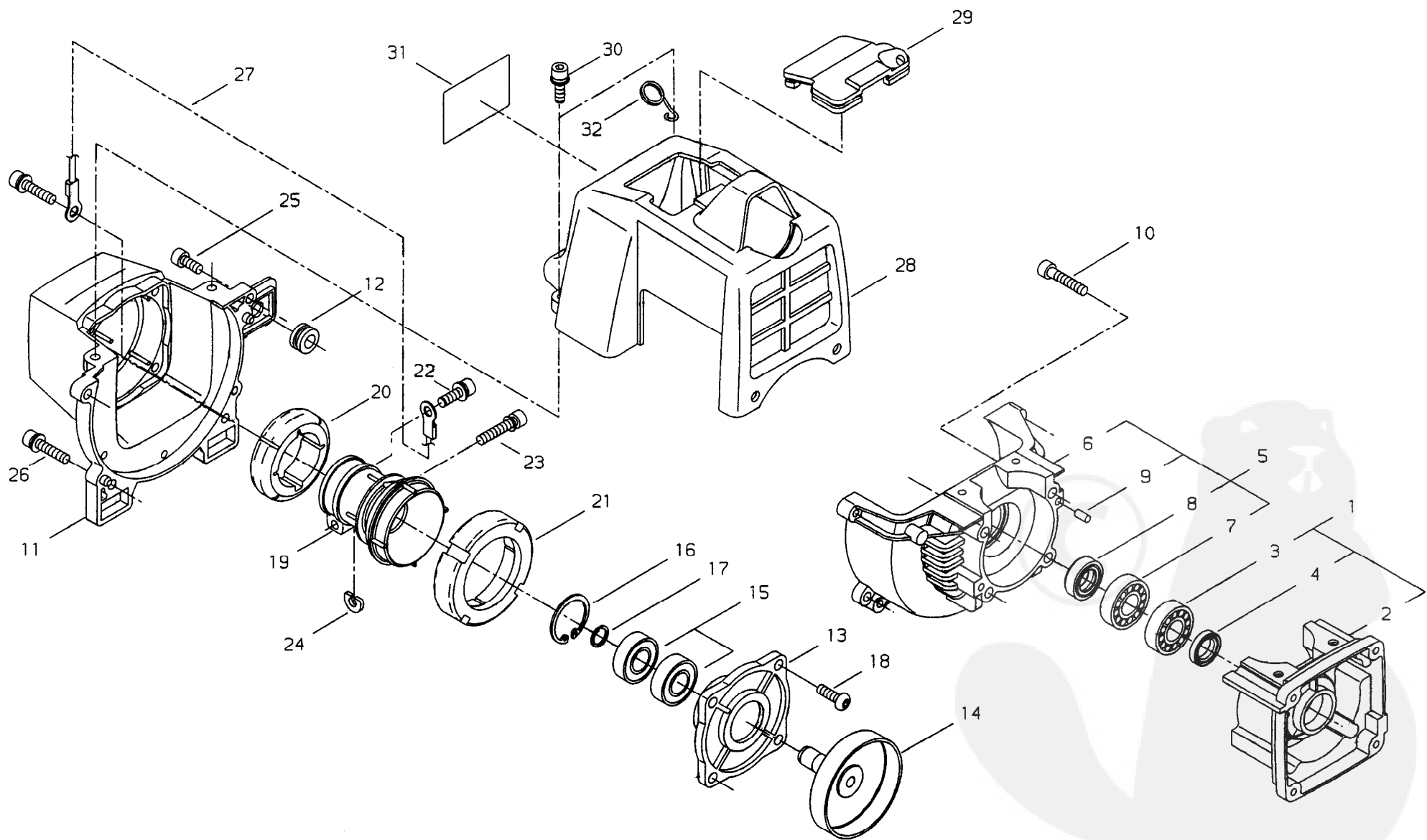
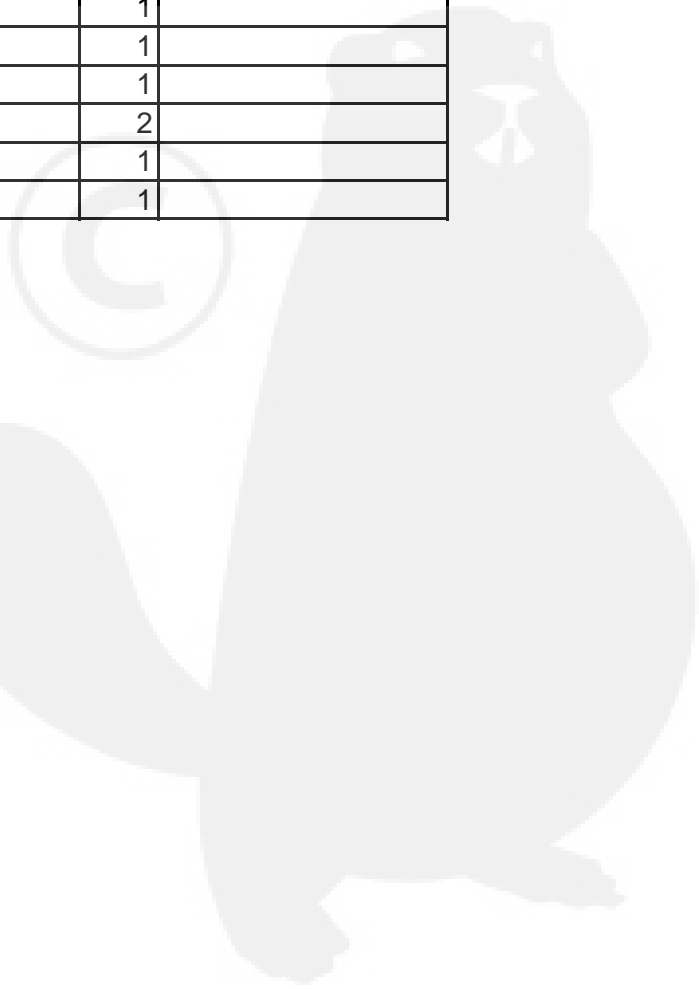


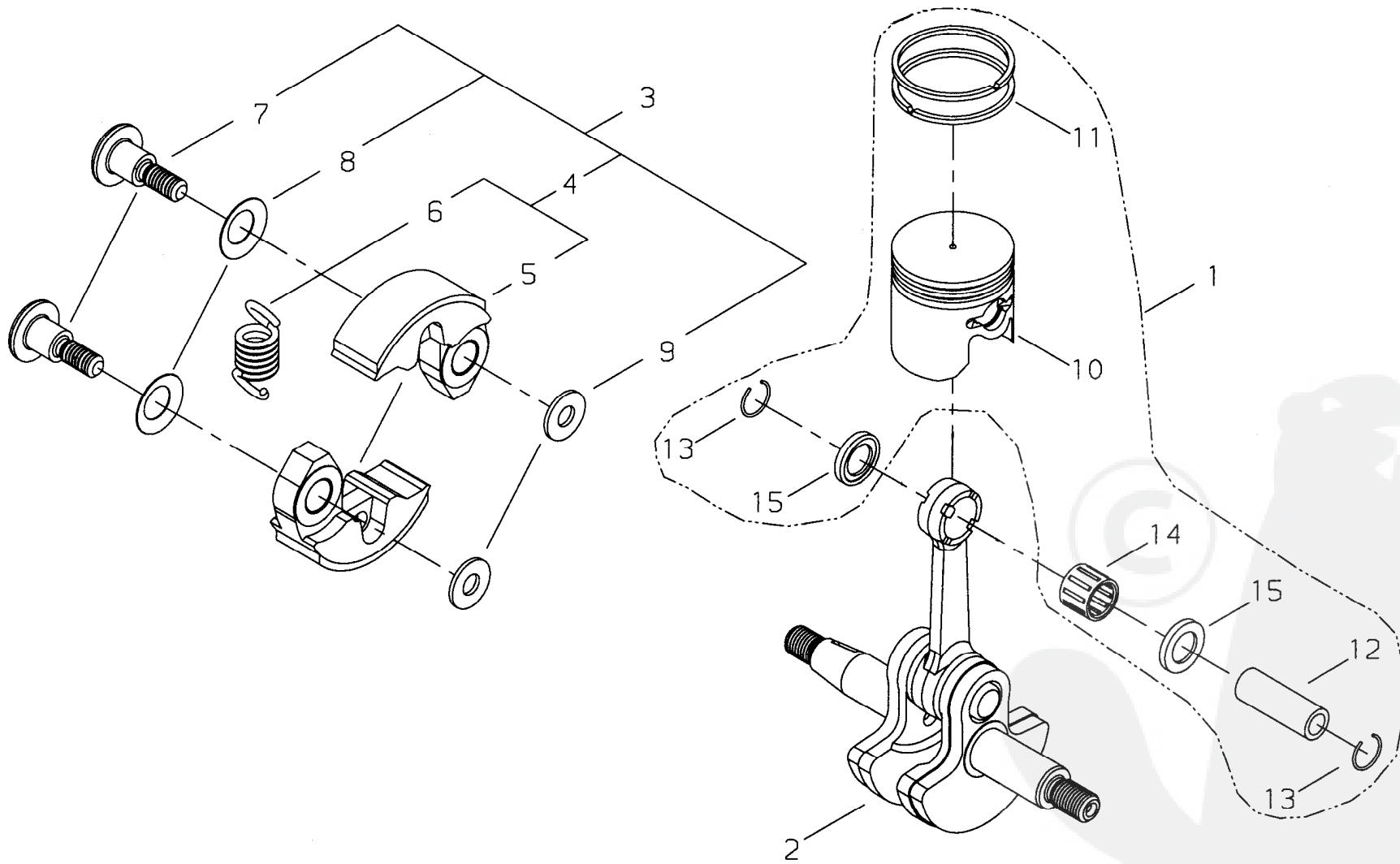
Ref. No	Part No.	Part Name	Q`ty	Remarks,Serial No.
1- 1	20024-12110	CYLINDER	1	
2	62074-12120	GASKETCYLINDER	1	
3	11020-05160	BOLTSW	3	
4	11020-05300	BOLTSW	1	
5	70244-12210	INSULATOR	1	
6	20024-12221	GASKETINSULATOR	1	
7	11022-05200	BOLTSPW	2	
8	20024-12260	NUT	2	
9	70103-15100	MUFFLERSUBASSY	1	
10	70103-15110	*MUFFLER	1	
11	70103-15150	*SPARKARRESTER	1	
12	01270-03062	*SCREWTAPPING	1	
13	01020-05550	BOLT	2	
14	01610-05080	WASHER	2	
15	11022-05120	BOLTSPW	1	
16	20024-15210	GASKETMUFFLER	1	
17	70102-15180	MUFFLERGUARD	1	
18	11022-05160	BOLTSPW	2	





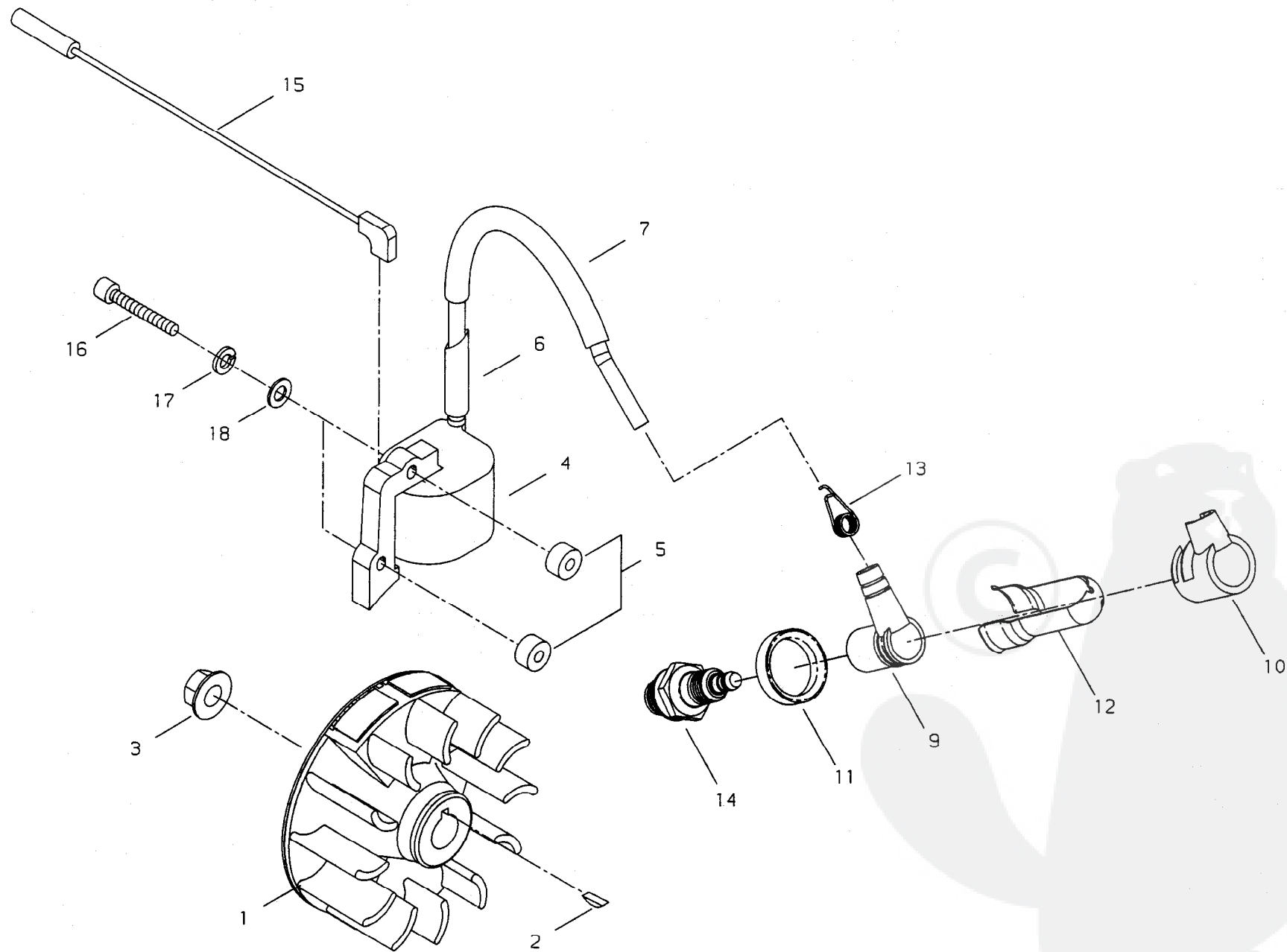
2-1	62073-21010	CRANKCASESCOMP	1	
2	20024-21110	*CRANKCASES	1	
3	12900-62010	*BEARING	1	
4	20000-21211	*OILSEAL	1	
5	62073-21020	CRANKCASEMCOMP	1	
6	20024-21120	*CRANKCASEM	1	
7	12900-62010	*BEARING	1	
8	20000-21211	*OILSEAL	1	
9	12492-50100	*DOWELPIN	2	
10	01020-05250	BOLT	4	
11	70102-31110	FANCOVER	1	
12	70105-31520	GROMMET	1	
13	20024-31130	CLUTCHCASE	1	
14	72575-98021	CLUTCHDRUM	1	
15	02036-06001	BEARING	2	
16	02432-28120	SNAPRING	1	
17	20000-31140	SNAPRING	1	
18	11210-05160	SCREWBUTTON	4	
19	20024-31410	JOINT	1	
20	20024-31421	FRONTCUSHION	1	
21	20024-31431	REARCUSHION	1	
22	11022-05160	BOLTSPW	1	
23	11022-06280	BOLTSPW	1	
24	20024-31460	SHIM	1	
25	11020-05180	BOLT SW	2	
26	11022-05300	BOLT SW	2	
27	70192-31510	EARTHCORD	1	
28	70102-31211	CYLINDERCOVER	1	
29	20024-31231	DUSTCAP	1	
30	11022-05160	BOLTSPW	2	
31	62000-91020	LABELTRADE	1	
32	20024-83152	CABLEHOLDER	1	





3- 1	20024-41000	PISTONASSY	1	
10	20024-41110	*PISTON	1	
11	20024-41210	*PISTONRING	2	
12	20024-41311	*PISTONPIN	1	
13	20000-41320	*SNAPRING	2	
14	37019-41230	*NEEDLEBEARING	1	
15	37019-41240	*THRUSTWASHER	2	
2	20024-42001	CRANKSHAFTASSY	1	
3	72575-98031	CLUTCHSHOEASSY	1	
4	72575-98040	*CLUTCHSHOESUBASSY	1	
5	72575-98050	**CLUTCHSHOE	2	
6	72575-98060	**SPRING	1	
7	72575-98071	*CLUTCHBOLT	2	
8	20087-51231	*SPRINGPLATE	2	
9	22100-71430	*WASHER	2	

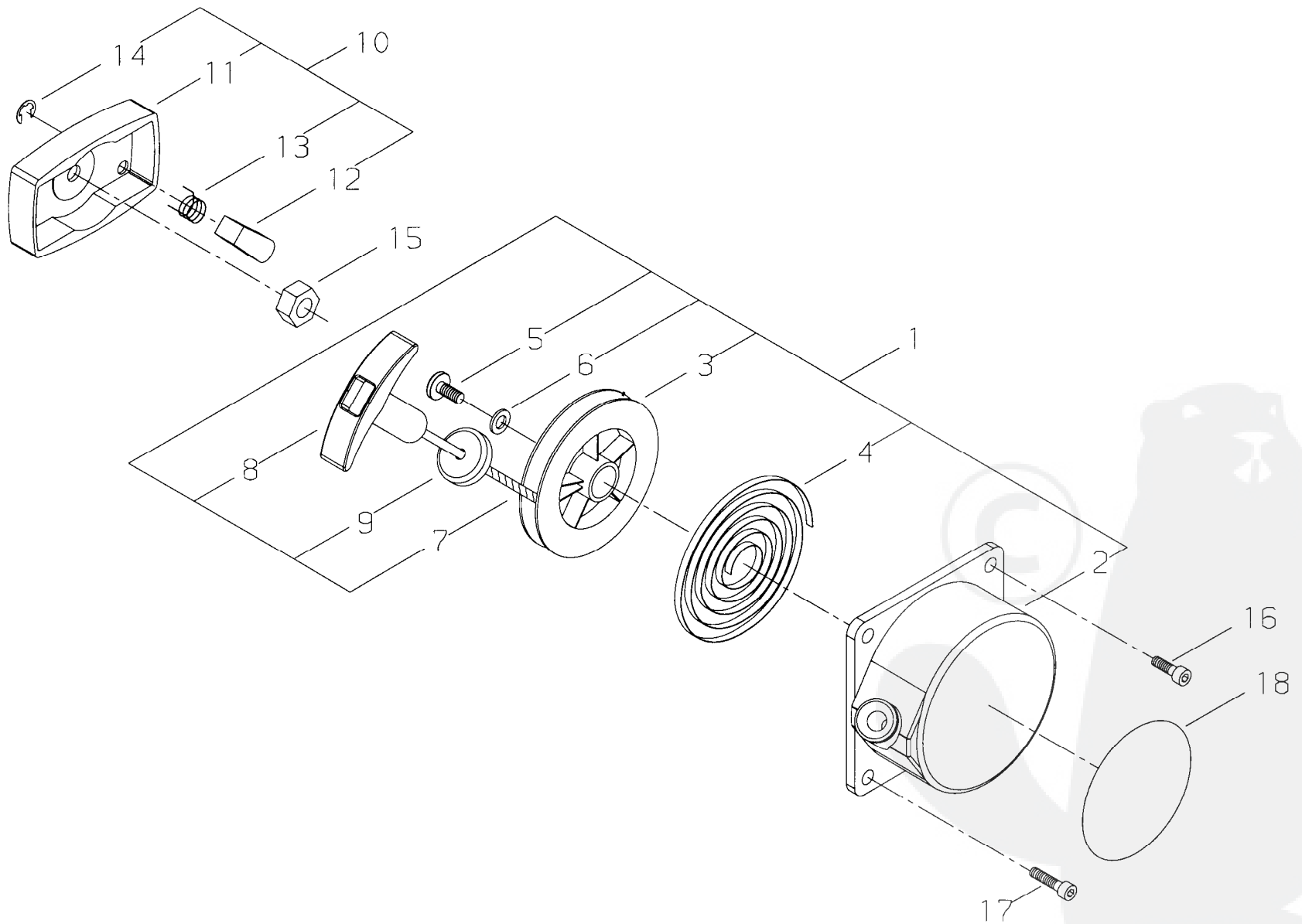




4- 1	20024-71201	ROTOR	1	
2	02403-03100	KEY	1	
3	20035-71220	NUT	1	
4	20024-71610	COIL	1	
5	70030-71620	INSULATOR	2	
6	20024-72112	TUBE	1	
7	70168-71660	TUBE	1	
9	20010-72221	PLUGCAP	1	
10	20000-72241	PLUGCAPCOVER	1	
11	20000-72250	COVERBAND	1	
12	70180-72260	SHIELD	1	
13	20000-72230	SPRINGSPARKPLUG	1	
14	13000-13506	SPARKPLUGBPMR6A	1	
15	70102-74130	CORD	1	
16	01020-04300	BOLT	2	
17	01600-04101	SPRINGWASHER	2	
18	01613-04080	WASHER	2	

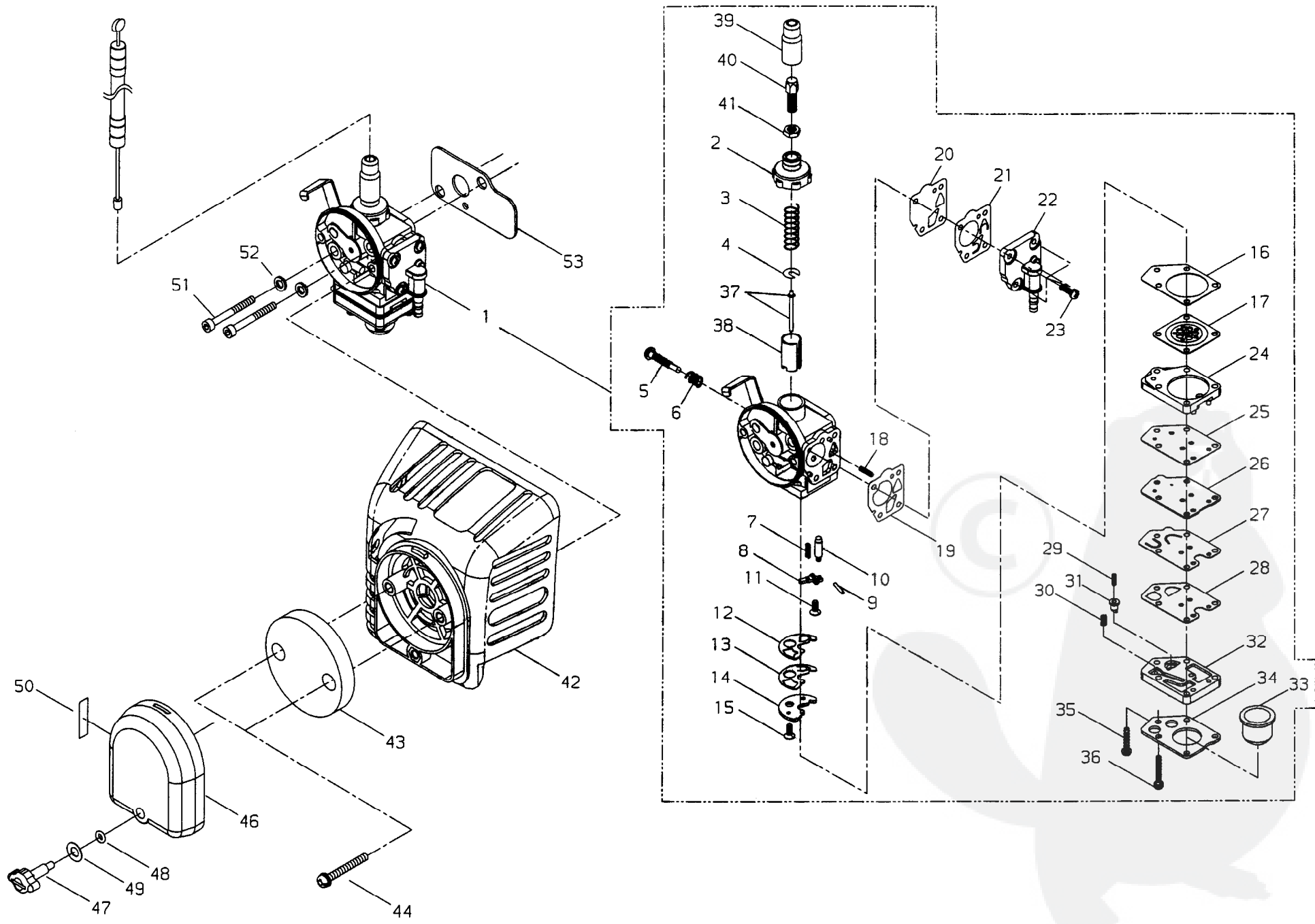






5- 1	70102-75101	RECOILSTARTERSUBASS	1	
2	70102-75111	*STARTERCASE	1	
3	20024-75120	*REEL	1	
4	20024-75130	*RECOILSPRING	1	
5	20035-75170	*SCREW	1	
6	20024-75140	*WASHER	1	
7	20024-75160	*ROPE	1	
8	20024-75190	*STARTERKNOB	1	
9	20024-75180	*DAMPER	1	
10	20024-75200	STARTERPULLYSUBASS	1	
11	20024-75210	*STARTERPULLEY	1	
12	20024-75220	*RATCHET	1	
13	20024-75230	*RETURNSPRING	1	
14	20024-75240	*ERING	1	
15	20035-43230	NUT	1	
16	11022-05160	BOLTSPW	2	
17	11022-05250	BOLTSPW	2	
18	70005-75240	NAMEPLATE	1	

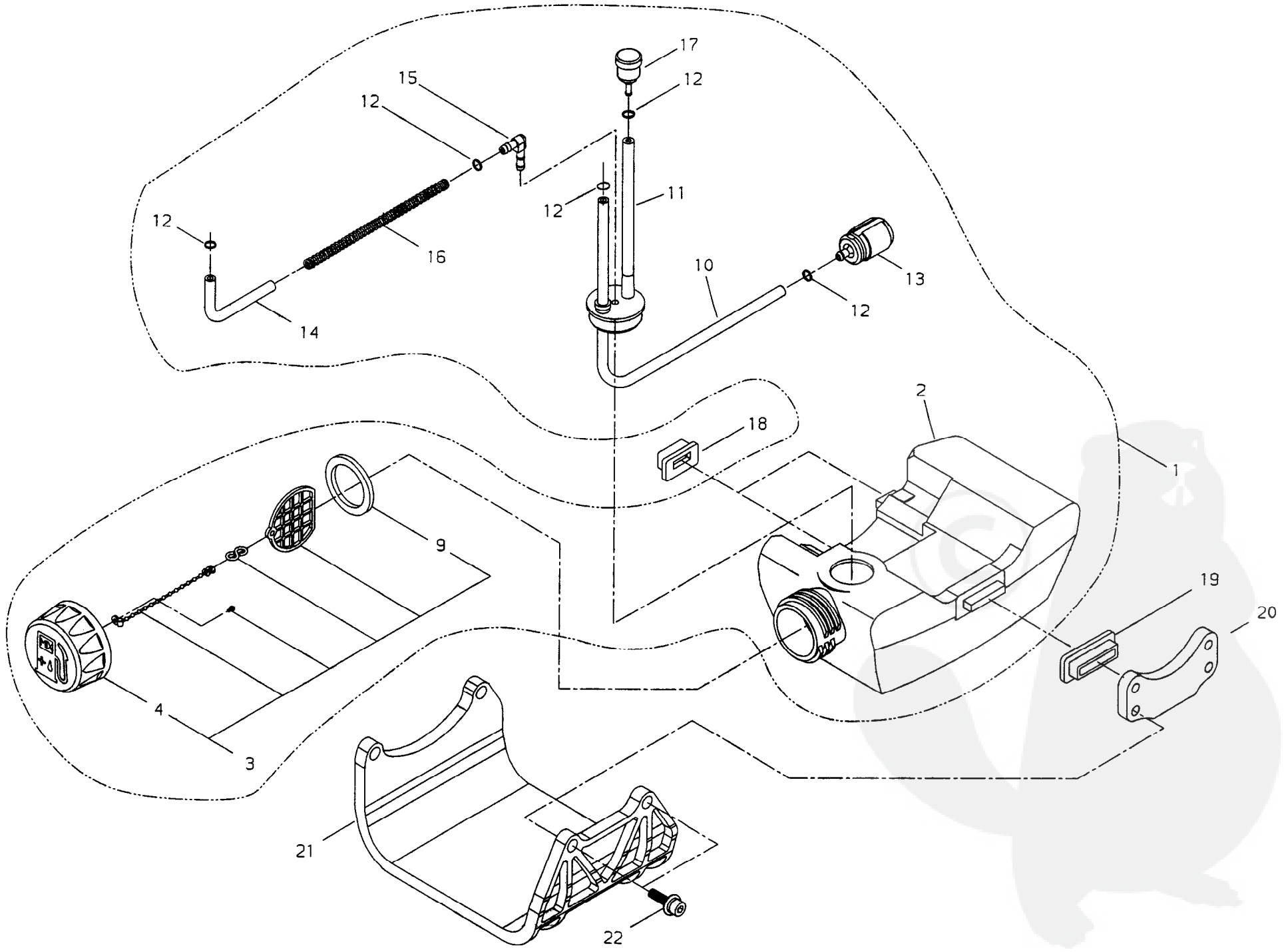




6- 1	70170-81020	CARBURETORSUBASSY	1	
2	72920-81120	*BODYCAP	1	
3	20011-81140	*SPRING	1	
4	20000-81150	*SPRINGRECEIVE	1	
5	20000-81310	*SLOWSTOPSCREW	1	
6	72920-81820	*SPRING	1	
7	20087-81480	*SPRING	1	
8	20019-81450	*CONTROLLEVER	1	
9	20011-81460	*PIN	1	
10	20000-81441	*NEEDLEVALVE	1	
11	20011-81470	*SCREW	1	
12	20087-81420	*PACKING	1	
13	20087-81411	*CHECKVALVE	1	
14	20087-81430	*PLATE	1	
15	20011-81470	*SCREW	1	
16	20087-81510	*GASKET	1	
17	20087-81520	*DIAPHRAGM	1	
18	20011-81680	*SPRING	1	
19	20011-81630	*GASKET	1	
20	20011-81621	*DIAPHRAGM	1	
21	20087-81660	*PUMPVALVE	1	
22	20087-81640	*PUMPBODY	1	
23	20000-81650	*SCREW	1	
24	20087-81531	*COVERSUBASSY	1	
25	20087-81890	*PACKING	1	
26	20087-81540	*GASKET	1	
27	20087-81560	*PLATE	1	
28	20087-81571	*CHECKVALVE	1	
29	20087-81851	*SPRING	1	
30	20087-81870	*SPRING	1	
31	20087-81861	*VALVE	1	
32	20087-81811	*PUMPBASE	1	
33	20087-81820	*PUMP	1	
34	20087-81830	*PLATE	1	
35	20087-81880	*SCREW	1	
36	20087-81880	*SCREW	4	
37	70170-81170	*JETNEEDLE	1	
38	70170-81180	*THROTTLEVALVE	1	
39	72920-81130	*ADJUSTERCAP	1	
40	72920-81140	*CABLEADJUSTER	1	
41	20000-81260	*LOCKNUT	1	
42	70102-81710	CLEANERBODY	1	
43	20056-81740	FILTER	1	
44	11207-04250	SCREWPMPLPW	2	
46	20024-81770	CLEANERCOVER	1	
47	20115-81780	KNOBCLEANERCOVER	1	
48	22100-82430	ORING	1	
49	20024-81790	CONEWASHER	1	

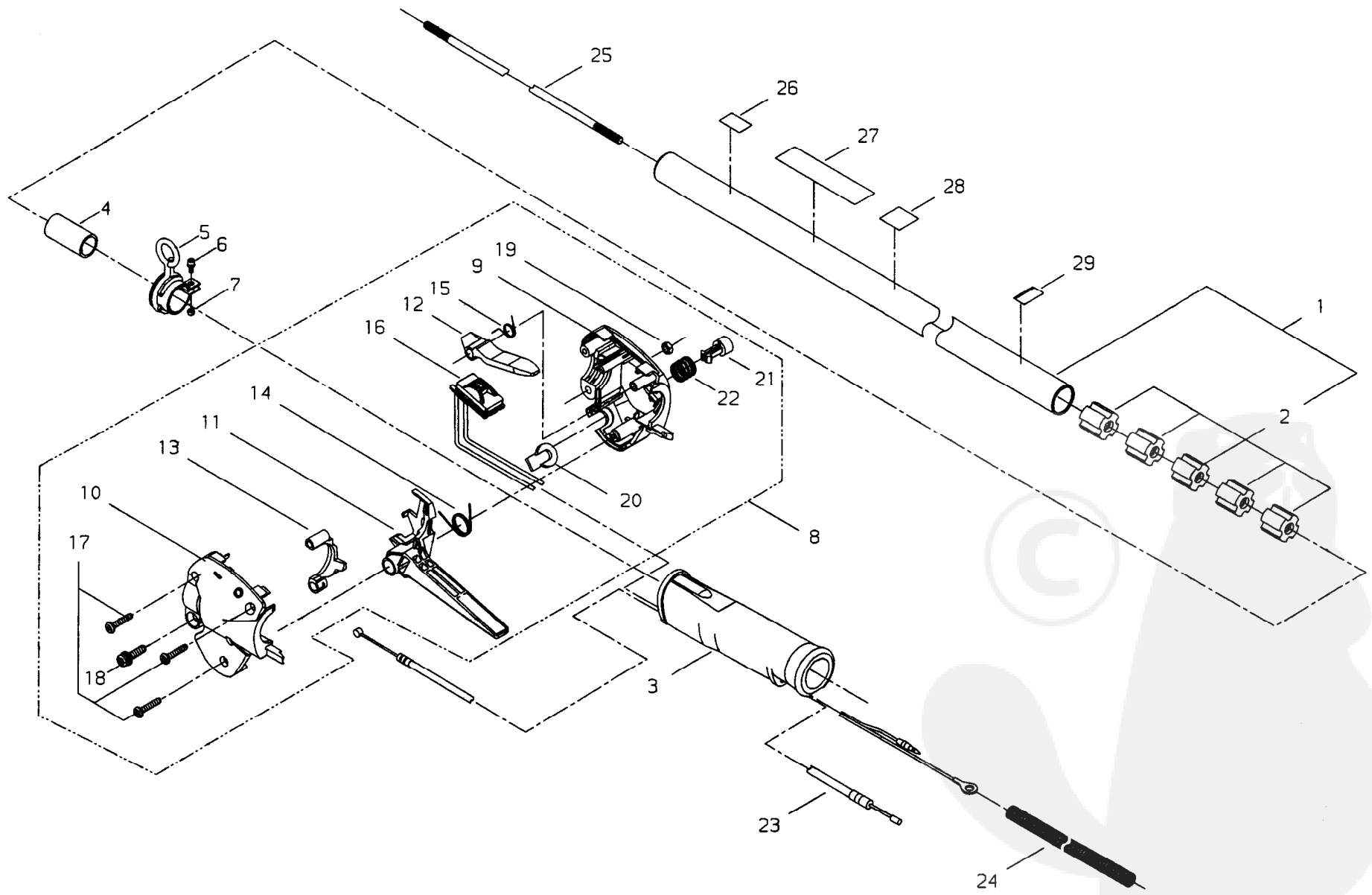
50	19404-00008	LABELCHOKE	1	
51	01020-05650	BOLT	2	
52	01600-05131	SPRINGWASHER	2	
53	70244-83410	GASKETCARBURETOR	1	





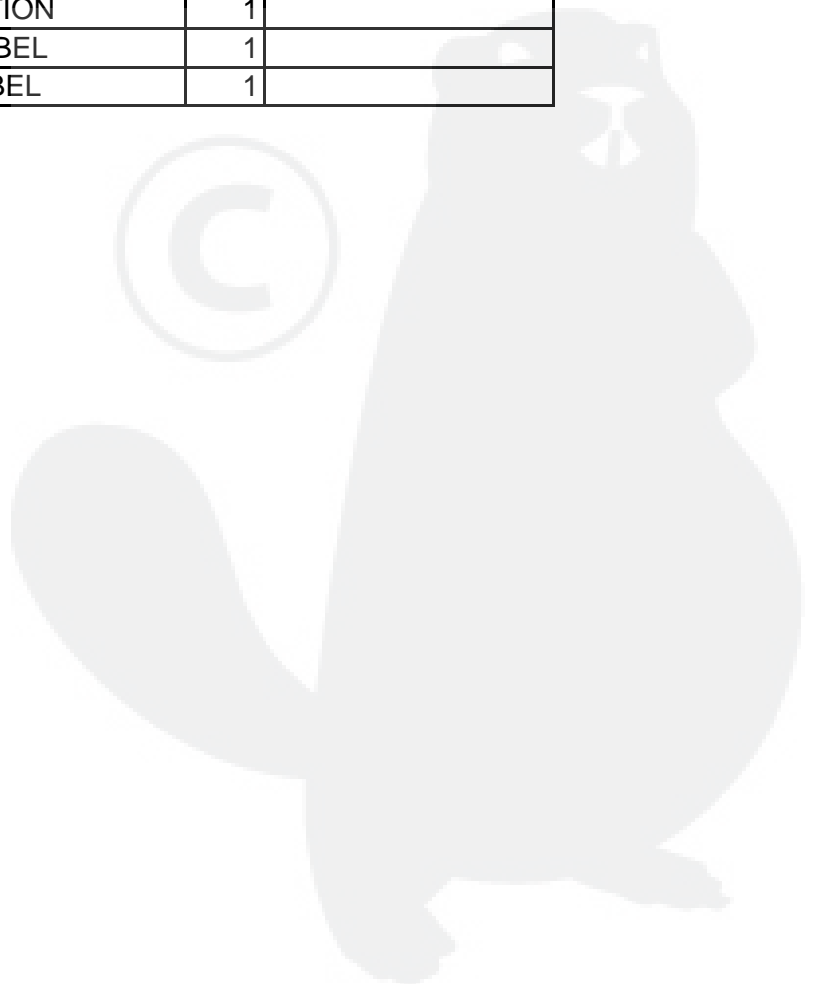
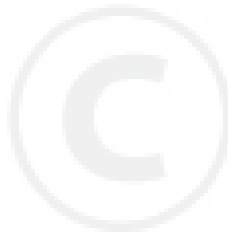
7- 1	70168-85001	FUELTANKASSY	1	
2	70244-85110	*FUELTANK	1	
3	70168-85201	*FUELCAPASSY	1	
4	70168-85210	**FUELCAP	1	
9	20000-85221	**GASKET	1	
10	70170-85310	*FUELPIPE	1	
11	20089-85350	*GROMMET	1	
12	20020-85540	*CLIP	5	
13	22115-85401	*FUELFILTERSUBASSY	1	
14	70170-83311	*PIPE	1	
15	20087-85340	*JOINT	1	
16	20019-83320	*SPRING	1	
17	22197-33960	*VALVE	1	
18	20024-86120	TANKCUSHION	2	
19	20024-86130	TANKCUSHION	1	
20	62074-85210	TANKBRACKET	1	
21	62074-85310	TANKGUARD	1	
22	11022-05200	BOLTSPW	2	

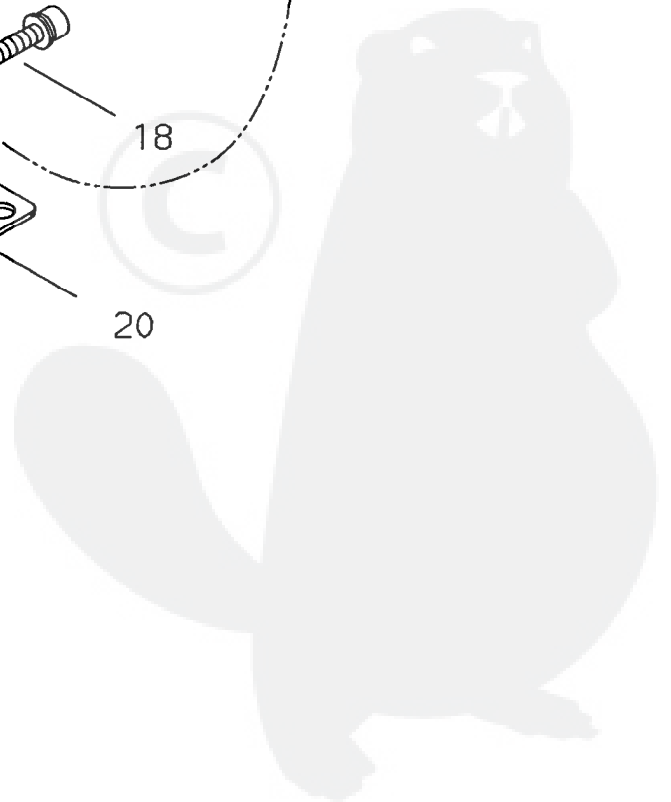
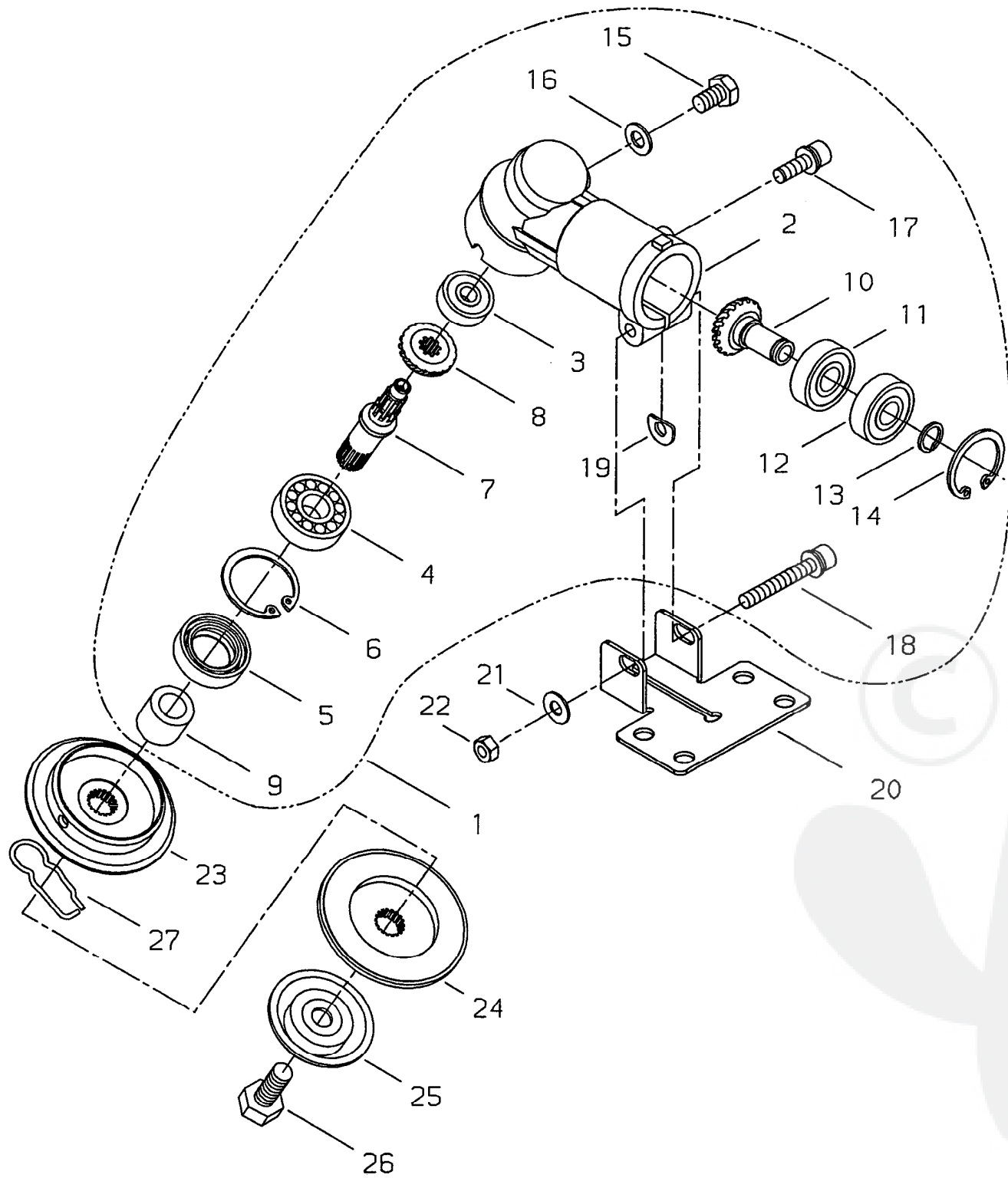




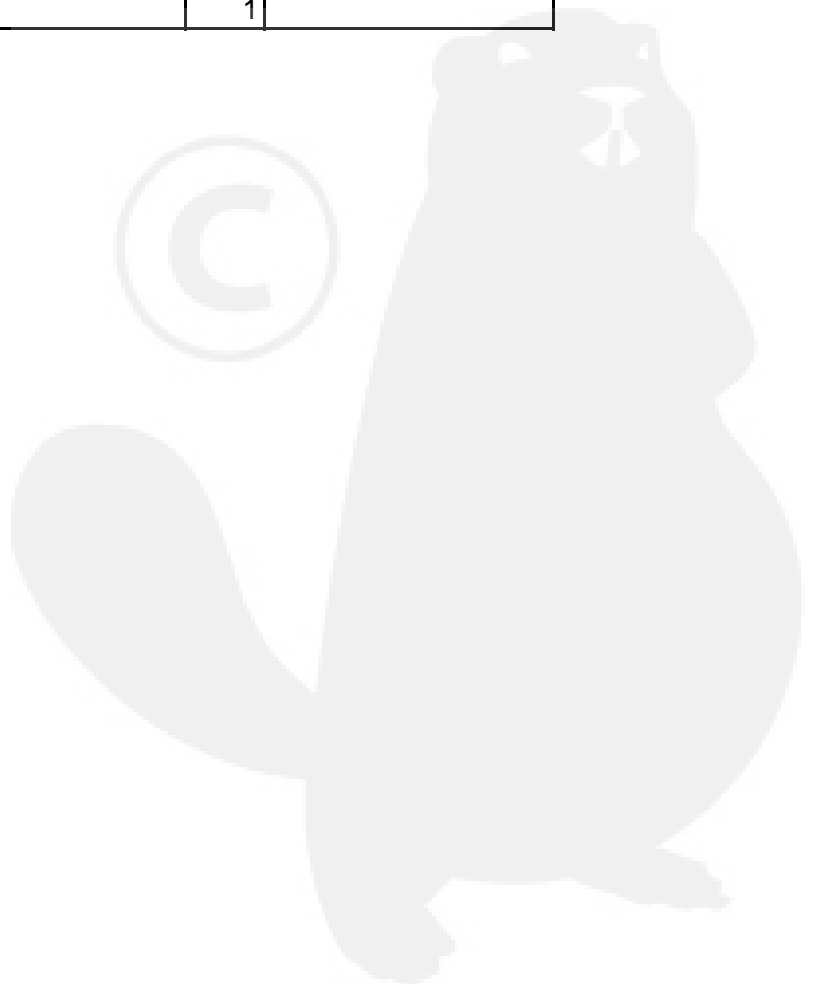


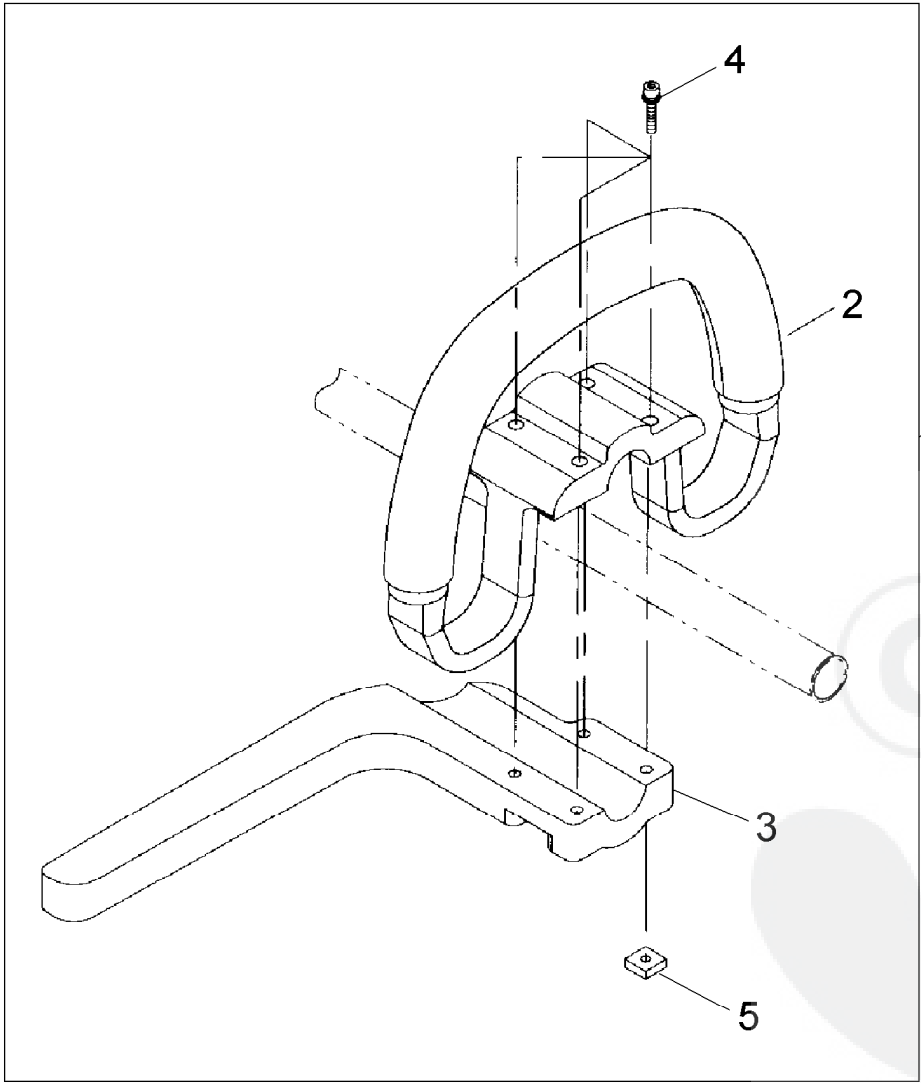
8- 1	22024-12102	OUTERPIPESUBASSY	1	
2	22024-12120	*BUSH	5	
3	63043-62140	GRIP	1	
4	63000-62311	PROTECTOR	1	
5	22009-12210	HANGER	1	
6	11022-05120	BOLTSPW	1	
7	01500-05041	NUT	1	
8	63000-62320	THROTTLELEVERASSY	1	
9	63000-62340	*BODYRIGHT	1	
10	63000-62350	*BODYLEFT	1	
11	63002-62340	*LEVER	1	
12	63901-62352	*LOCKLEVER	1	
13	63002-62350	*HOLDER	1	
14	63880-65350	*COILSPRING	1	
15	63901-62370	*COILSPRING	1	
16	63000-62360	*SWITCH	1	
17	63880-65360	*SCREWTAPPING	3	
18	11206-05201	*SCREWPMSPW	1	
19	01501-05030	*NUT	1	
20	63880-65411	*PLUG	1	
21	70871-65170	*BUTTON	1	
22	70871-65180	*COILSPRING	1	
23	70036-83110	THROTTLECABLE	1	
24	70201-83140	TUBE	1	
25	22000-12413	MAINSHAFT	1	
26	19402-00223	LABELCAUTION	1	
27	19422-00010	LABELCAUTION	1	
28	19404-00038	LABELDECIBEL	1	
29	72017-12150	HANDLELABEL	1	





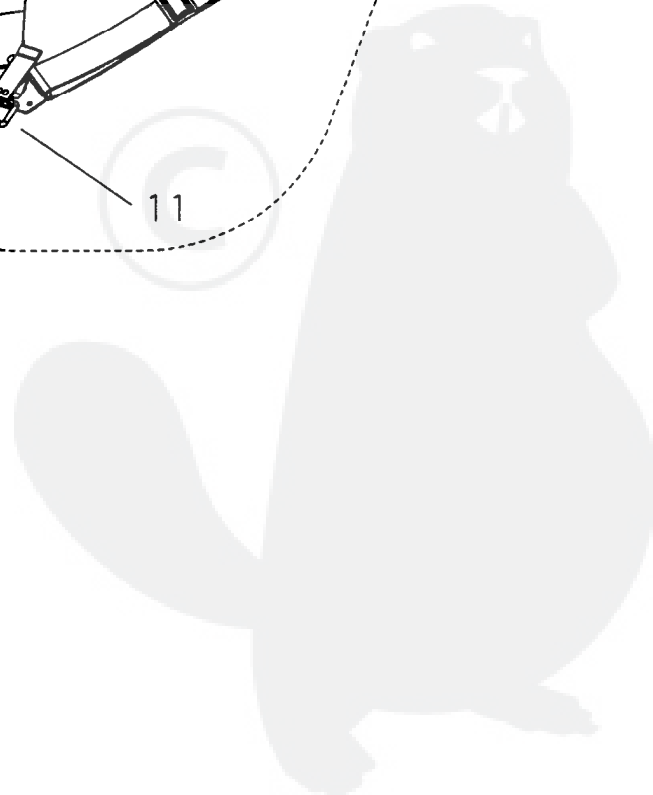
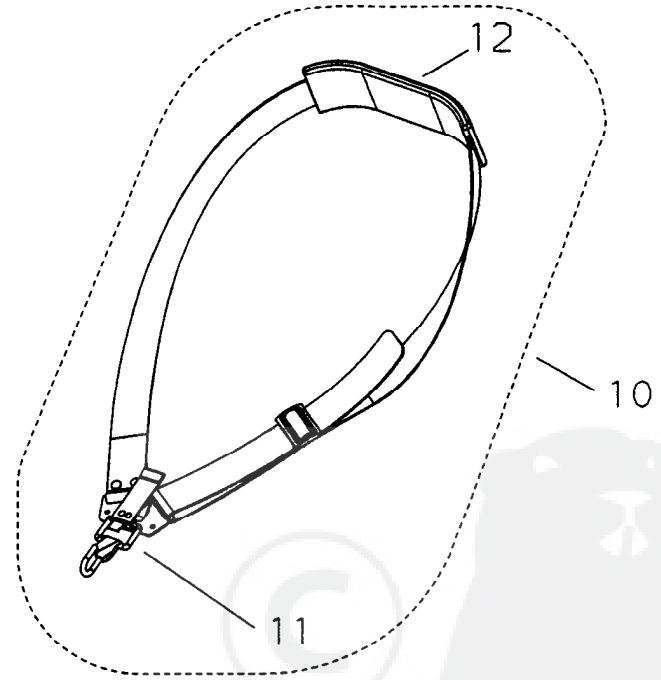
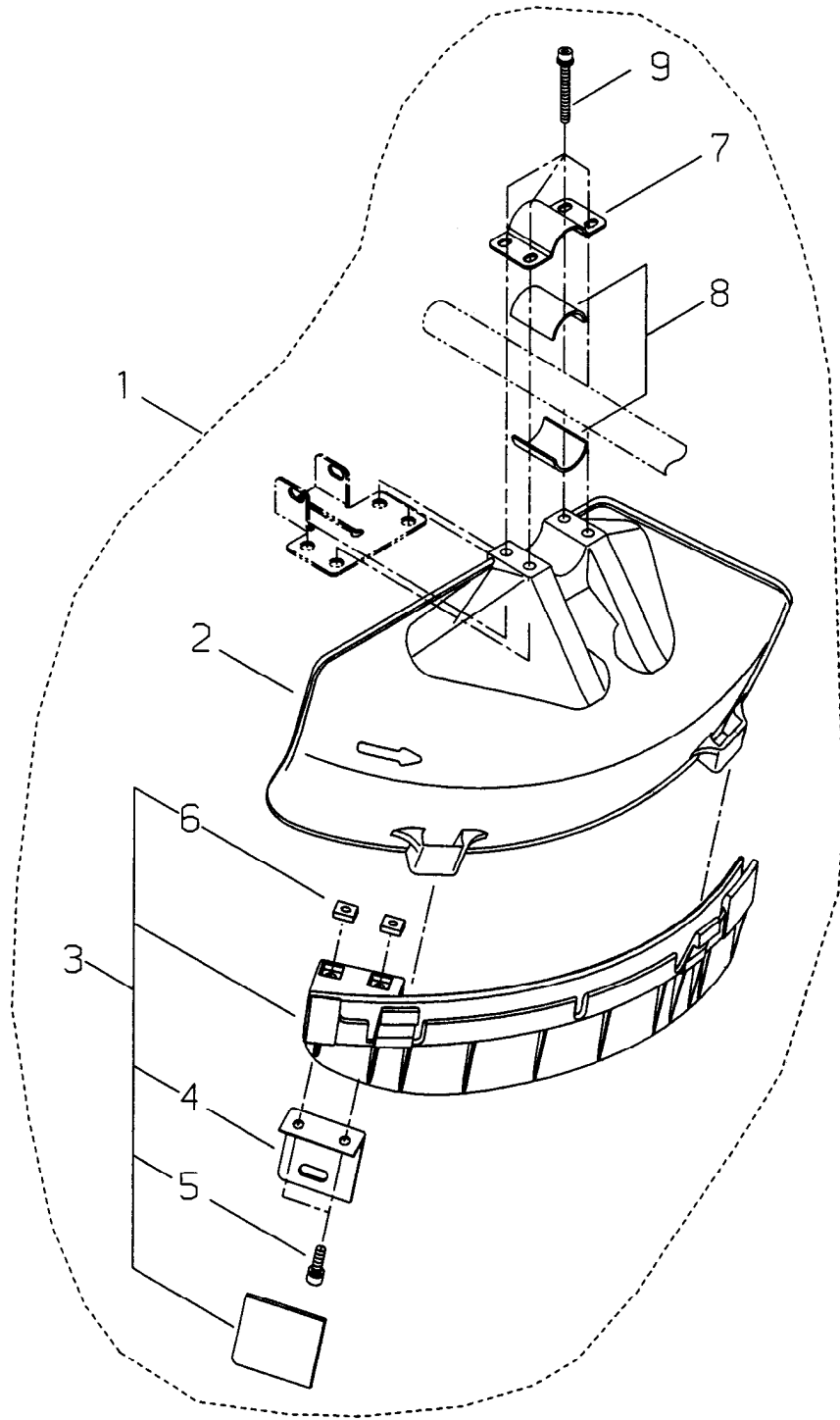
9- 1	63000-63020	GEARCASECOMP	1	
2	22024-13112	*GEARCASE	1	
3	02046-00609	*BEARING	1	
4	02000-06201	*BEARING	1	
5	22024-13121	*OILSEAL	1	
6	02432-32120	*SNAPRING	1	
7	72435-13210	*GEARSHAFT	1	
8	22024-13220	*BEVELGEAR	1	
9	22000-13230	*COLLAR	1	
10	22024-13391	*PINIONSET	1	
11	02000-06901	*BEARING	1	
12	02002-06901	*BEARING	1	
13	20000-31140	*SNAPRING	1	
14	02432-24120	*SNAPRING	1	
15	22015-13410	*BOLT	1	
16	22015-13420	*GASKET	1	
17	11022-05160	*BOLTSPW	1	
18	11022-06400	*BOLTSPW	1	
19	22011-13450	*SHIM	1	
20	72441-16130	LOWERCLAMP	1	
21	01613-06100	WASHER	1	
22	01500-06051	NUT	1	
23	22024-13912	HOLDERA	1	
24	63000-63170	HOLDER	1	
25	22024-13291	BOLTGUARD	1	
26	22000-13512	BOLT	1	
27	22000-13530	SLIDEPIN	1	





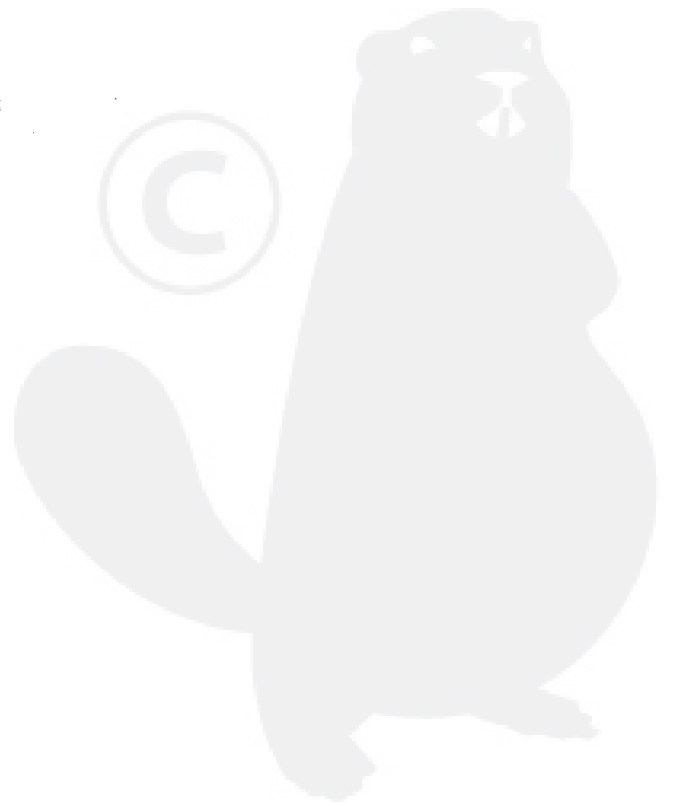
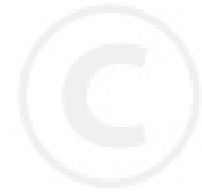
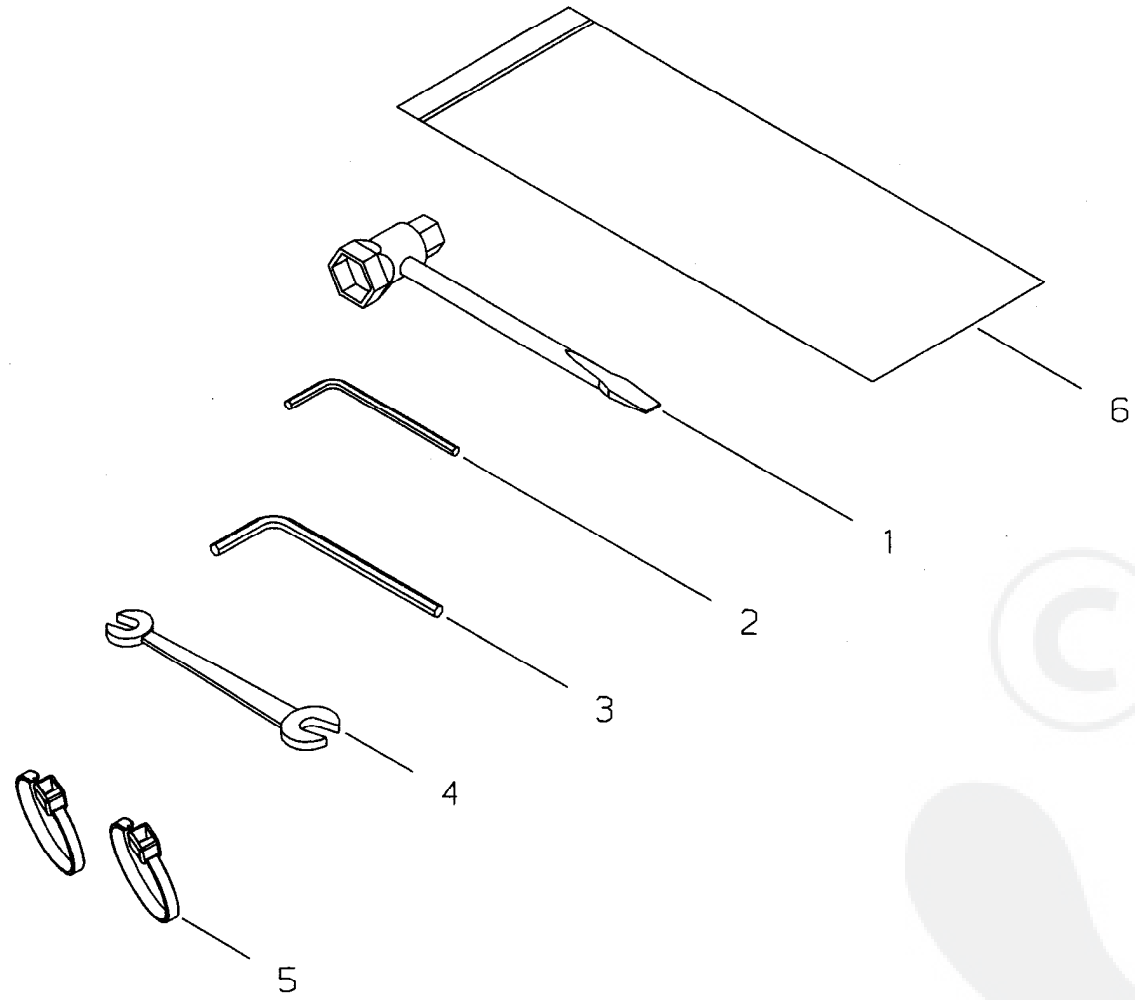
10- 1	60904-98310	HANDLEASSY	1	
2	62901-64113	*HANDLE	1	
3	65011-64120	*BARRIER	1	
4	11022-05350	*BOLTSPW	4	
5	22420-16120	*NUT	4	





11- 1	62903-66321	GUARDSET	1	
2	62903-66110	*GUARD	1	
3	62903-66331	*SUBGUARDASSY	1	
4	72480-16121	**CUTTER	1	
5	11020-05160	**BOLTSW	2	
6	22420-16120	**NUT	2	
7	72480-16210	*UPPERCLAMP	1	
8	72480-16220	*SPACER	2	
9	11022-05450	*BOLTSPW	4	
10	22421-17202	STRAPASSY	1	
11	22421-17130	*HOOK	1	
12	22007-17220	*PROTECTOR	1	







12- 1	22000-91181	PLUGWRENCH	1	
2	09026-04001	HEXAWRENCH	1	
3	09026-05001	HEXAWRENCH	1	
4	22000-91120	SPANNER	1	
5	72431-12190	BAND	2	
6	19639-01400	TOOLBAG	1	

