

shindaiwa

Illustrated Parts List

T3410/EC2

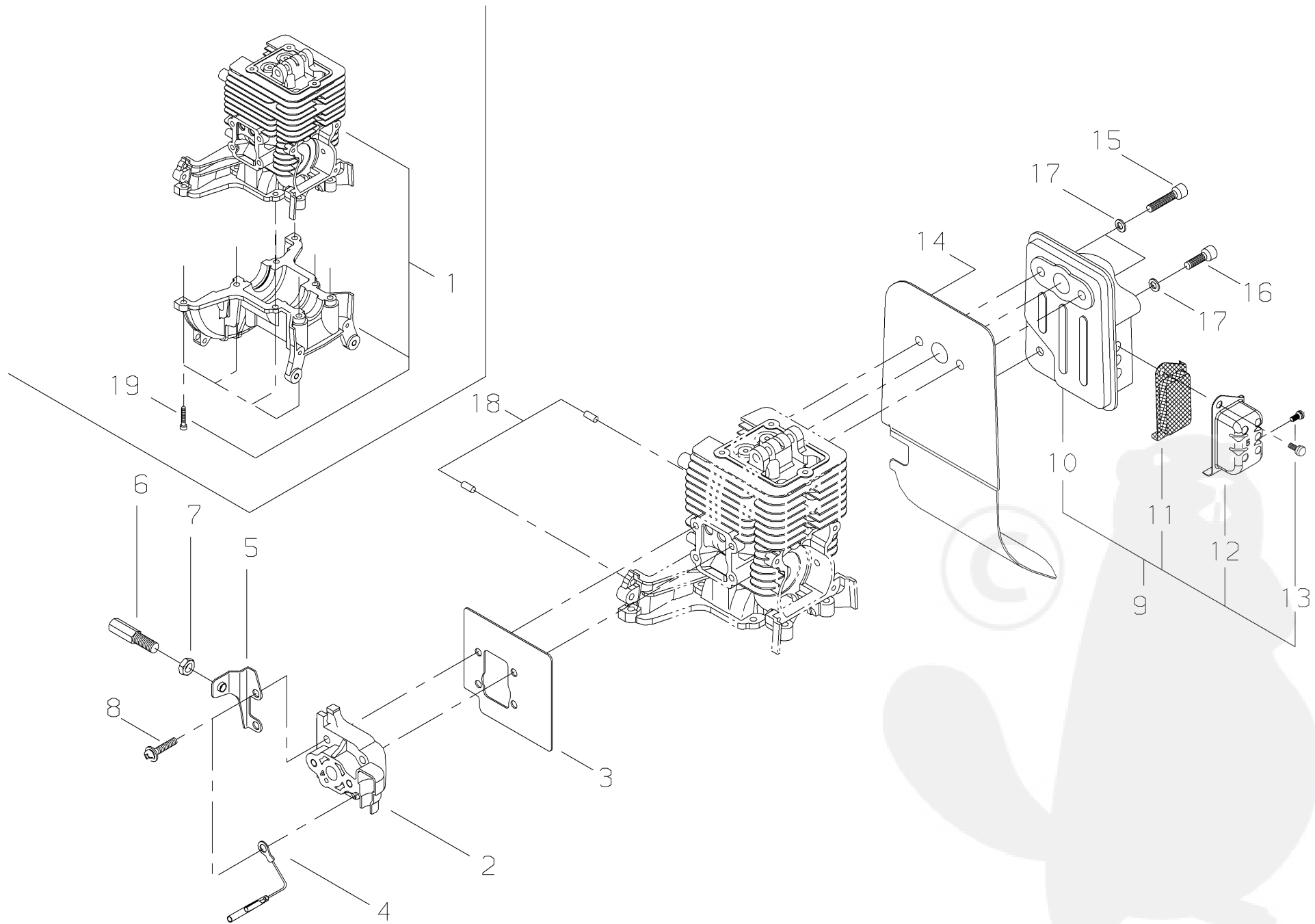
Shindaiwa Kogyo Co.,Ltd.

6-2-11,Ozuka -Nishi, Asaminami-ku, Hiroshima, 731-3167, Japan

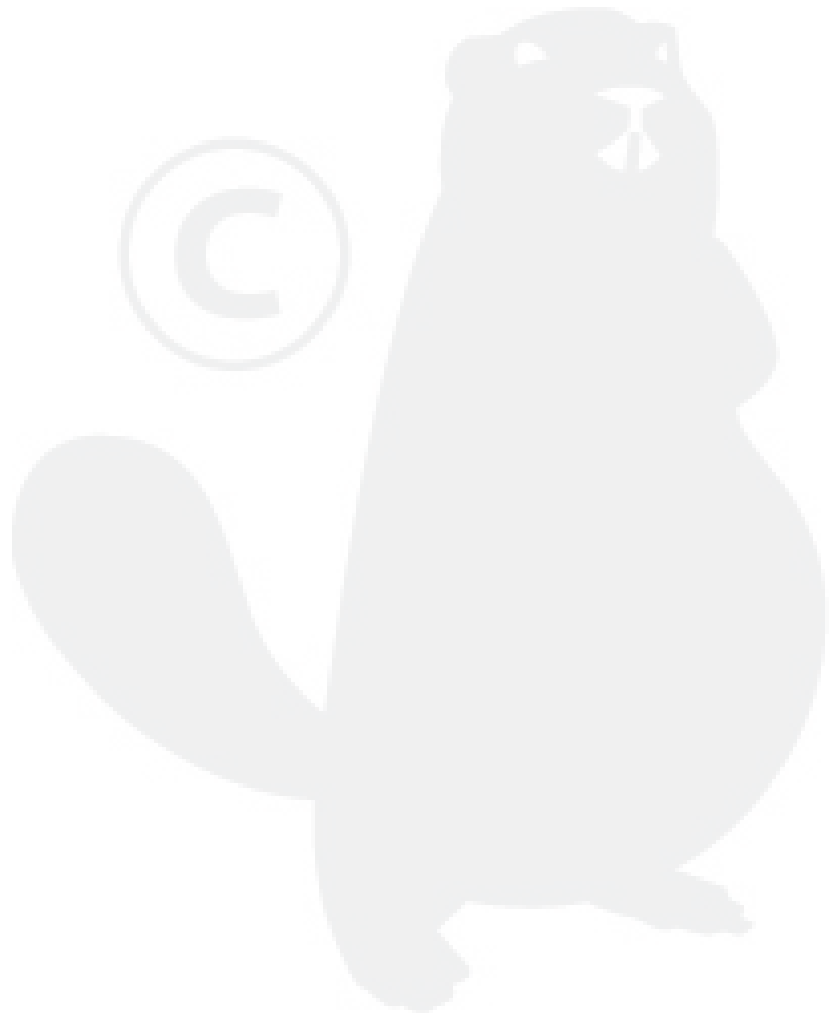
Telephone (082) 849-2005 Fax (082) 849-2481

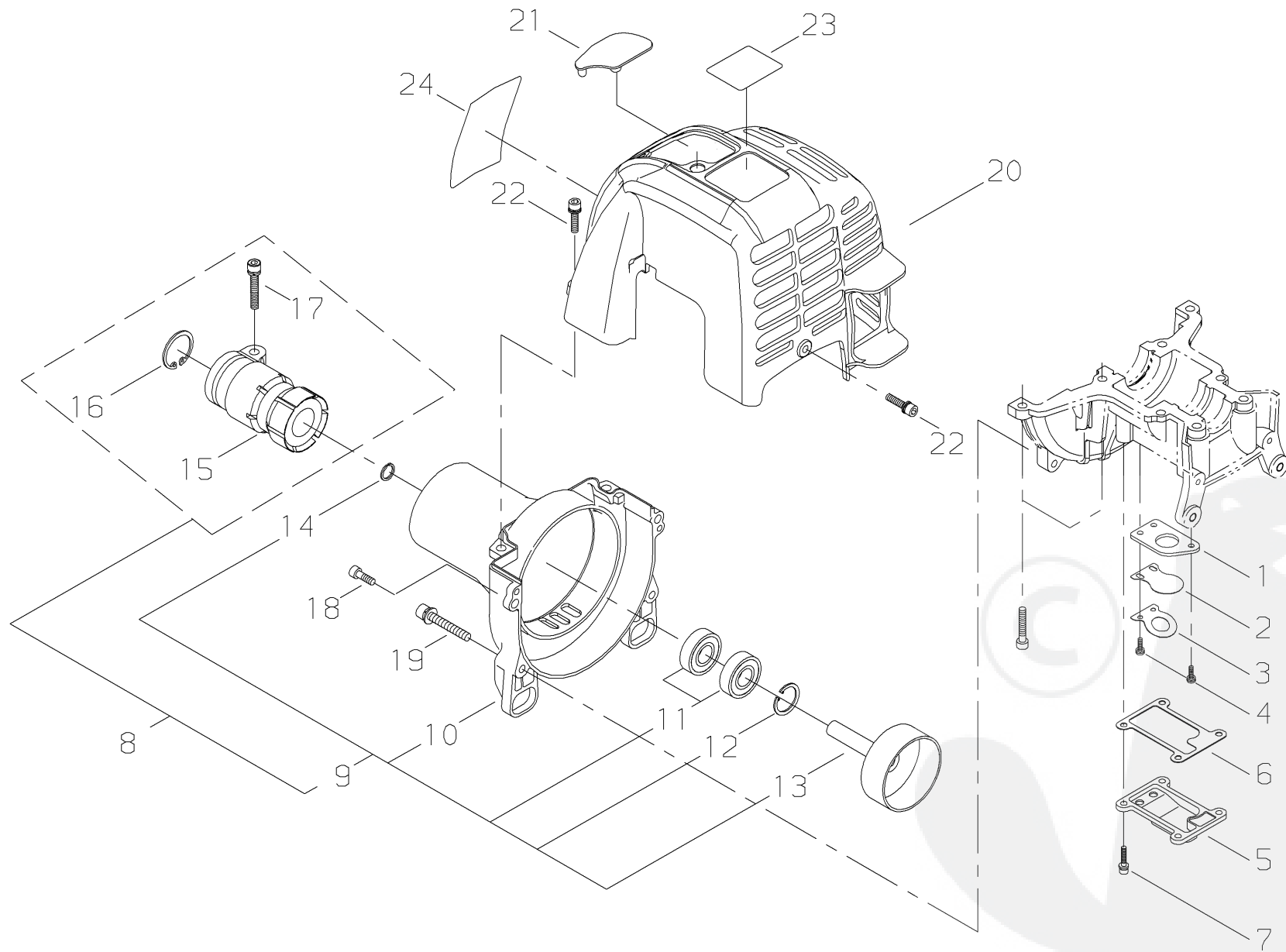
T3410/EC2

February 31, 2006

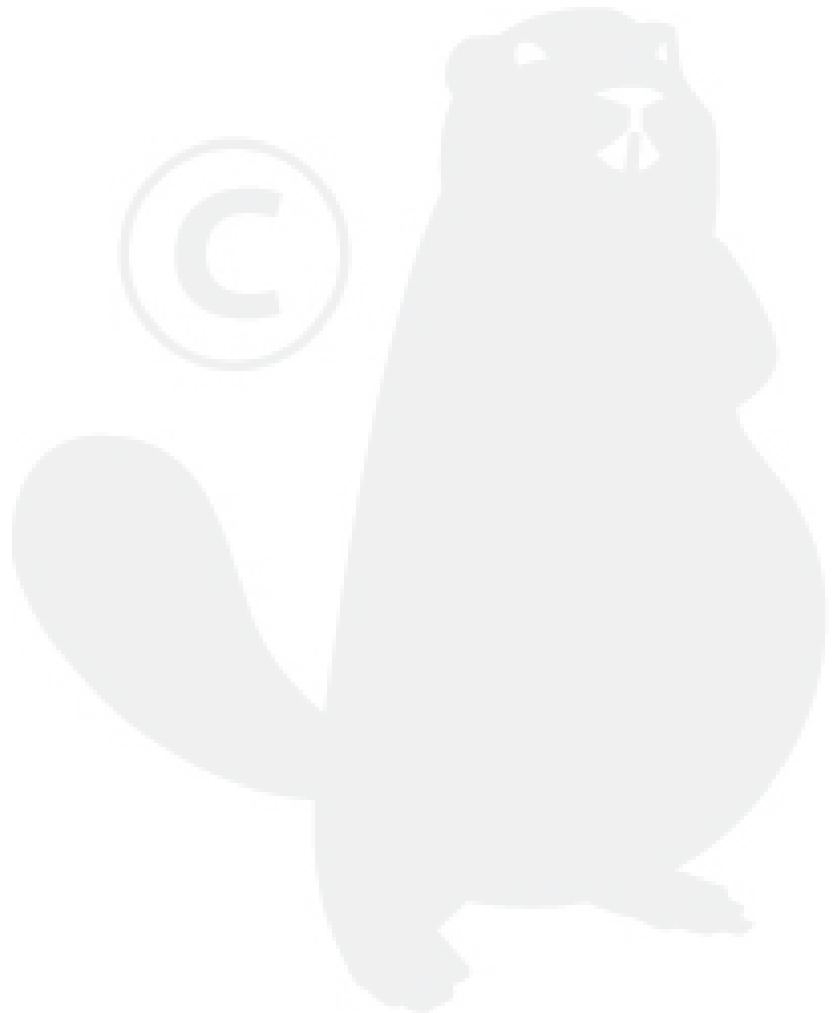


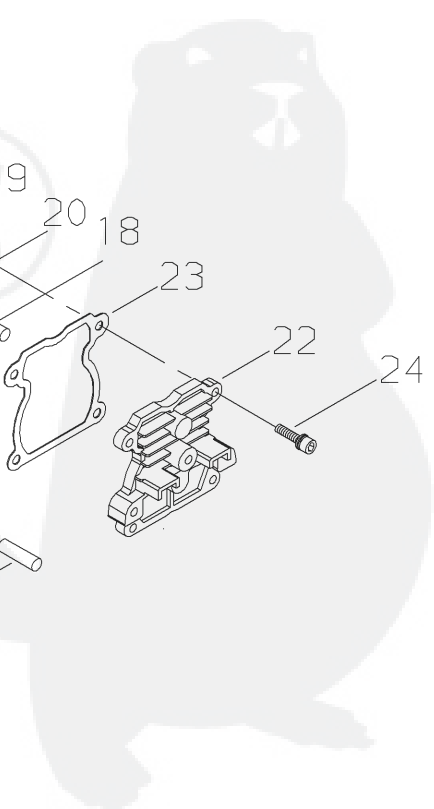
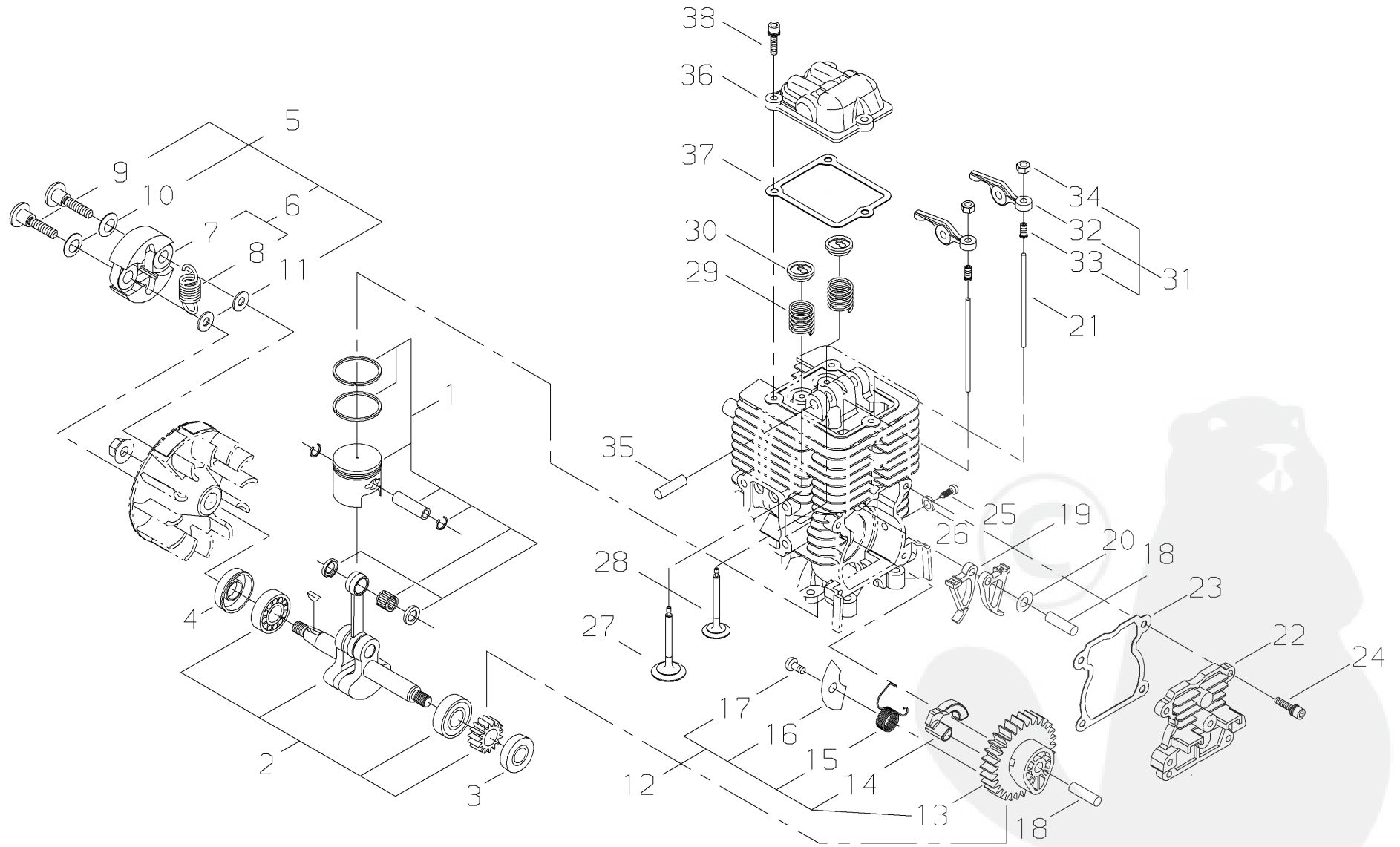
Ref. No	Part No.	Part Name	Q`ty	Remarks
1- 1	60907-98330	CYLINDER BLOCK SET	1	
19	01020-05160	*BOLT	8	
2	62907-12311	REED VALVE	1	
3	62907-12220	GASKET	1	
4	14350-01101	LEAD WIRE	1	
5	62901-83310	BRACKET, THROTTLE CABLE	1	
6	62902-83310	CABLE ADJUSTER	1	
7	01501-06048	NUT	1	
8	11206-05255	SCREW, PMSPW	4	
9	62907-15011	MUFFLER ASSY	1	
10	62907-15111	*MUFFLER	1	
11	62902-15131	*SCREEN	1	
12	62907-15161	*TAILPLATE	1	
13	11204-04060	*SCREW, PM	2	
14	62901-15210	GASKET, MUFFLER	1	
15	62901-15310	BOLT	2	
16	01020-05160	BOLT	1	
17	01610-05080	WASHER	3	
18	12492-40080	ROLLER	2	



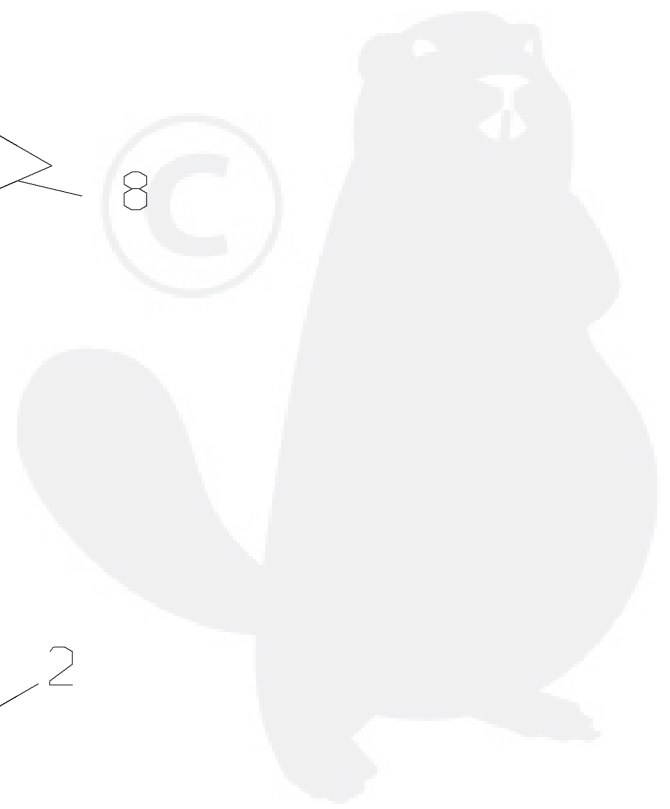
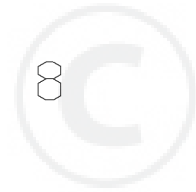
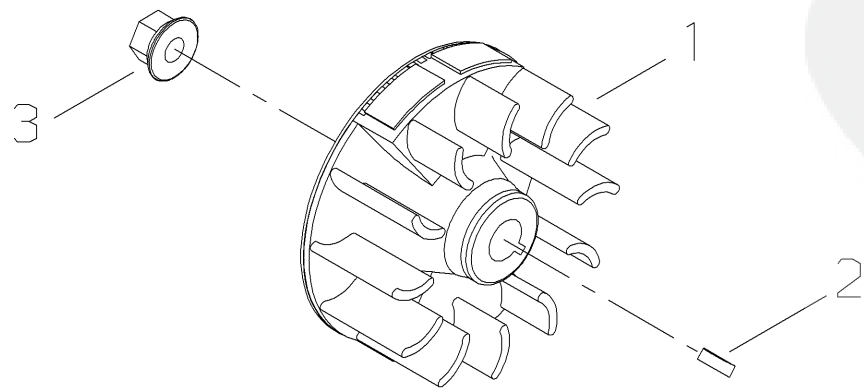
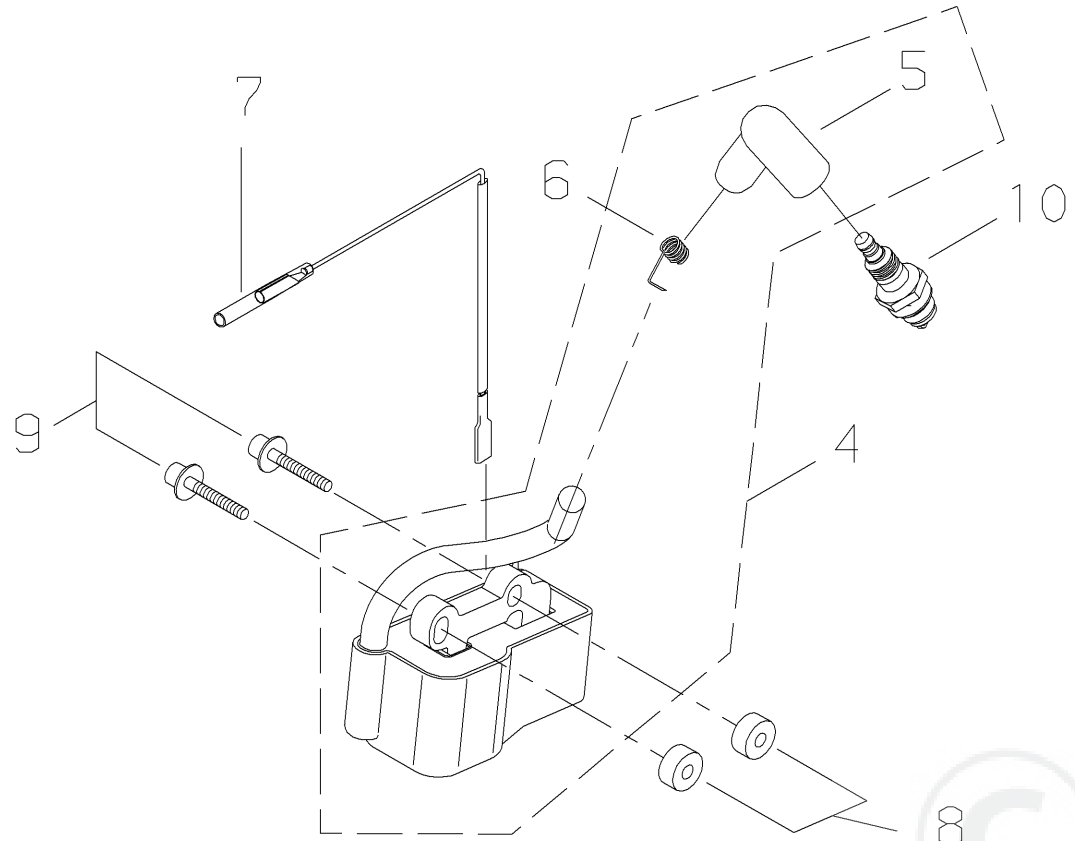


Ref. No	Part No.	Part Name	Q`ty	Remarks
2- 1	62901-21320	INSULATOR	1	
2	72320-83121	VALVE	1	
3	72320-83132	STOPPER	1	
4	01211-03100	SCREW, SW	3	
5	62901-21120	COVER	1	
6	62901-21130	GASKET	1	
7	11022-04140	BOLT, SPW	4	
8	60907-98351	FAN COVER ASSY	1	
9	62907-31011	*FAN COVER COMP	1	
10	62907-31110	**FAN COVER	1	
11	02036-06001	**BEARING	2	
12	02432-28120	**SNAP RING	1	
13	62907-31211	**CLUTCH DRUM	1	
14	20000-31140	**SNAP RING	1	
15	62907-33110	*JOINT	1	
16	02432-42170	*SNAP RING	1	
17	11020-05220	*BOLT, SW	1	
18	01020-05160	BOLT	2	
19	11022-05400	BOLT, SW	2	
20	62907-32110	CYLINDER COVER	1	
21	62901-32312	GROMMET	1	
22	11022-04140	BOLT, SPW	3	
23	62913-91320	LABEL, TRADE	1	
24	19420-00071	LABEL, TRADE	1	



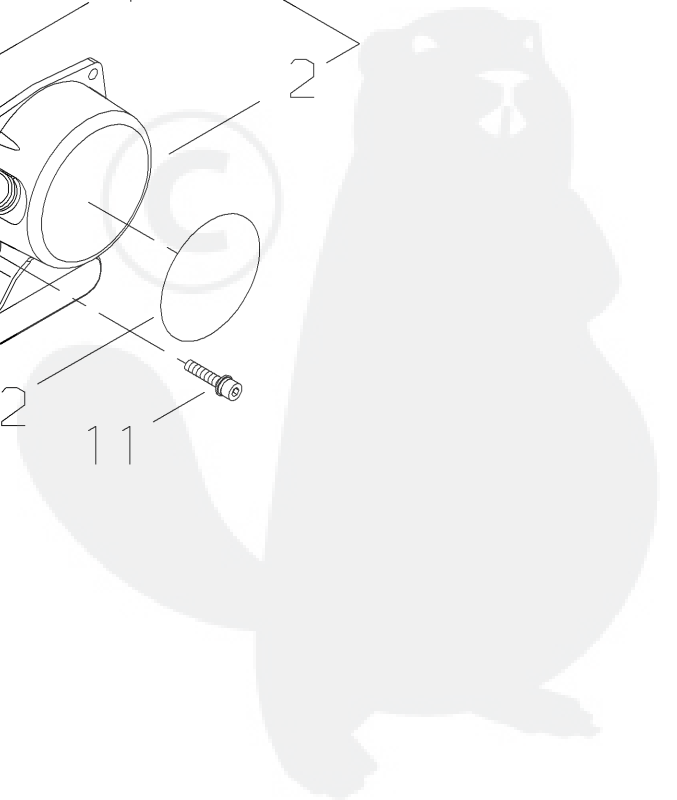
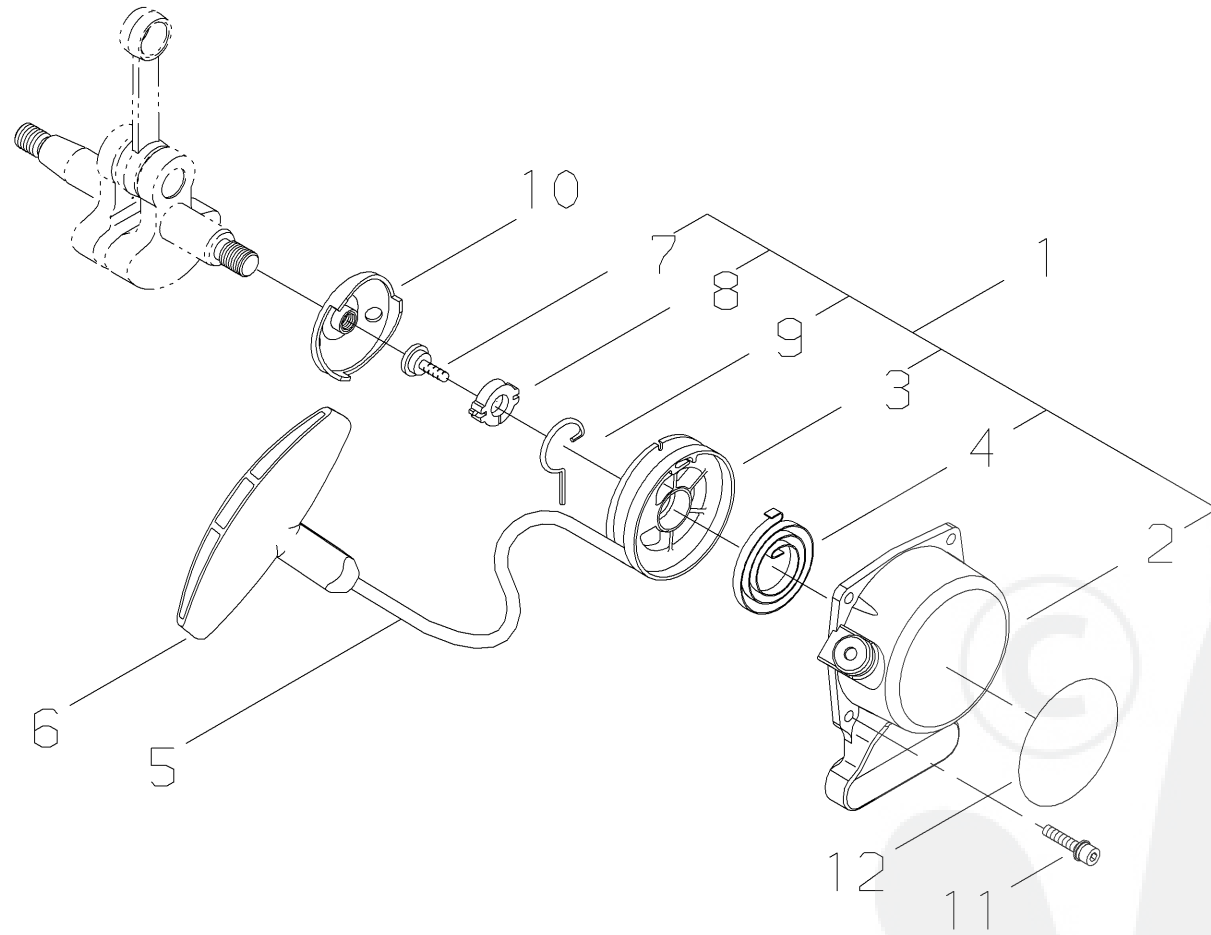


Ref. No	Part No.	Part Name	Q`ty	Remarks
3- 1	62907-41310	PISTON SET	1	
2	62907-42021	CRANKSHAFT, COMP	1	
3	62901-42260	OIL SEAL	1	
4	62907-42270	OIL SEAL	1	
5	72575-98031	CLUTCH SHOE ASSY	1	
6	72575-98040	*CLUTCH SHOE SUB ASSY	1	
7	72575-98050	**CLUTCH SHOE	2	
8	72575-98060	**SPRING	1	
9	72575-98071	*CLUTCH BOLT	2	
10	20087-51231	*SPRING PLATE	2	
11	22100-71430	*WASHER	2	
12	62905-43010	CAM GEAR ASSY	1	
13	62902-43310	*CAM GEAR	1	
14	62907-43120	*WEIGHT	1	
15	17520-08900	*COIL SPRING	1	
16	62905-43130	*PLATE	1	
17	01280-04062	*SCREW, TAPPING	1	
18	12492-50290	ROLLER	2	
19	62907-43210	LIFTER	2	
20	11620-10000	WASHER	1	
21	62907-43220	PUSHROD	2	
22	62907-43230	CAM GEAR COVER	1	
23	62907-43240	GASKET	1	
24	11022-04140	BOLT, SPW	4	
25	62901-43310	SCREW	1	
26	15401-10028	COLLAR	1	
27	62907-44110	INTAKE VALVE	1	
28	62907-44120	EXHAUST VALVE	1	
29	62901-44130	VALVE SPRING	2	
30	62901-44140	RETAINER	2	
31	62907-44010	ROCKER ARM ASSY	2	
32	62901-44210	*ROCKER ARM	1	
33	62907-44220	*ADJUST SCREW	1	
34	62901-44231	*NUT	1	
35	12492-50370	ROLLER	1	
36	62907-44240	ROCKER ARM COVER	1	
37	62907-44250	GASKET	1	
38	11022-04140	BOLT, SPW	3	

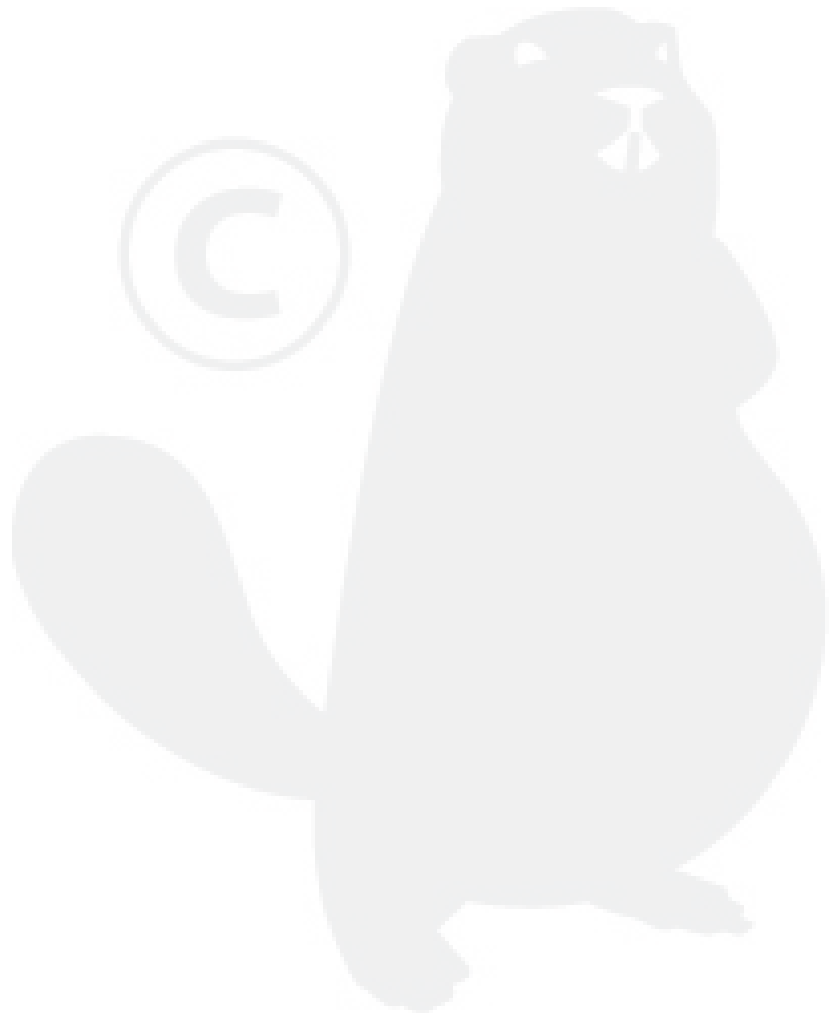


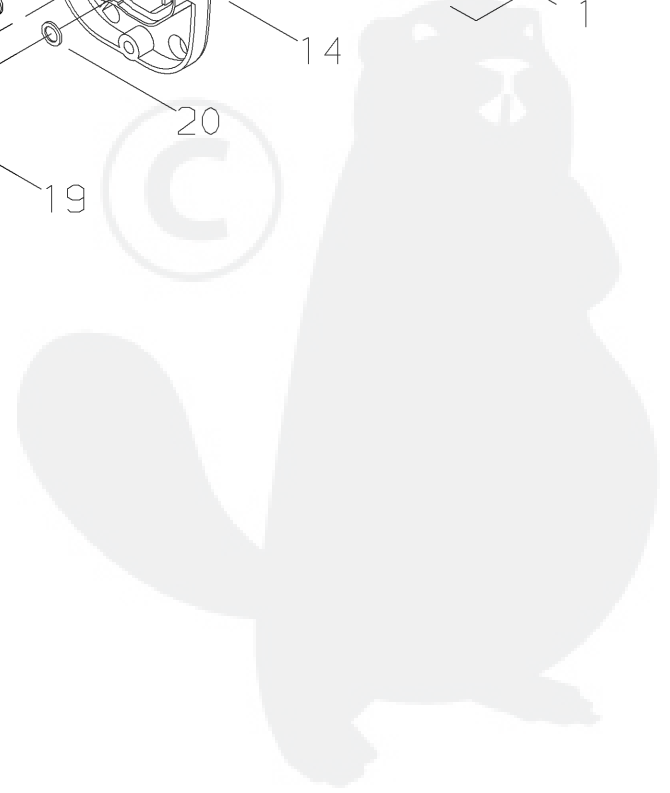
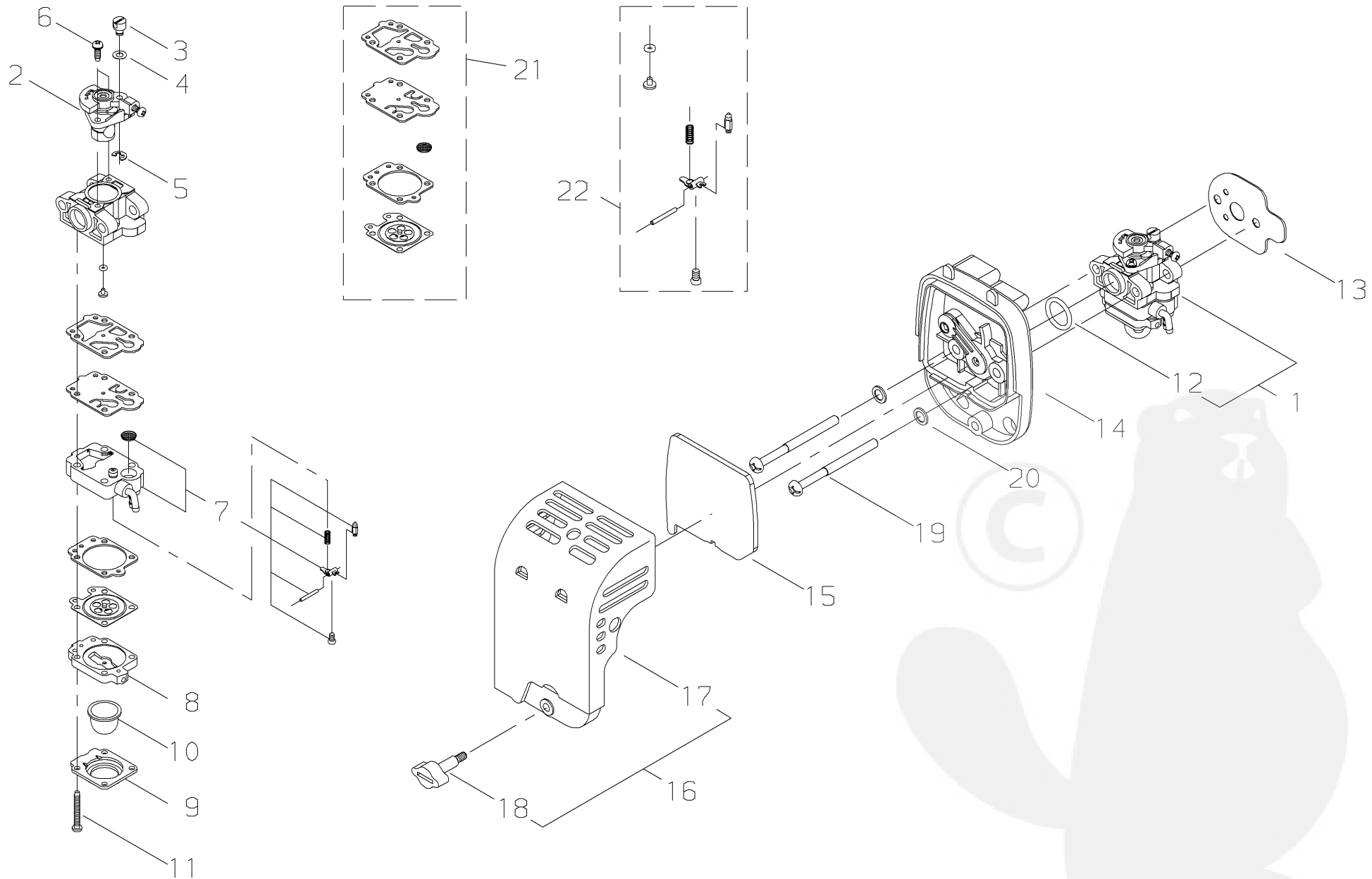
Ref. No	Part No.	Part Name	Q`ty	Remarks
4 -1	62907-71110	ROTOR	1	
2	02403-03100	KEY	1	
3	20035-71220	NUT	1	
4	62907-71310	COIL ASSY	1	
5	62905-71250	*PLUG CAP	1	
6	62905-71320	*SPRING PLUG	1	
7	14350-02200	LEAD WIRE	1	
8	70030-71620	INSULATOR	2	
9	11024-04265	BOLT, SW	2	
10	CMR5H	SPARK PLUG	1	



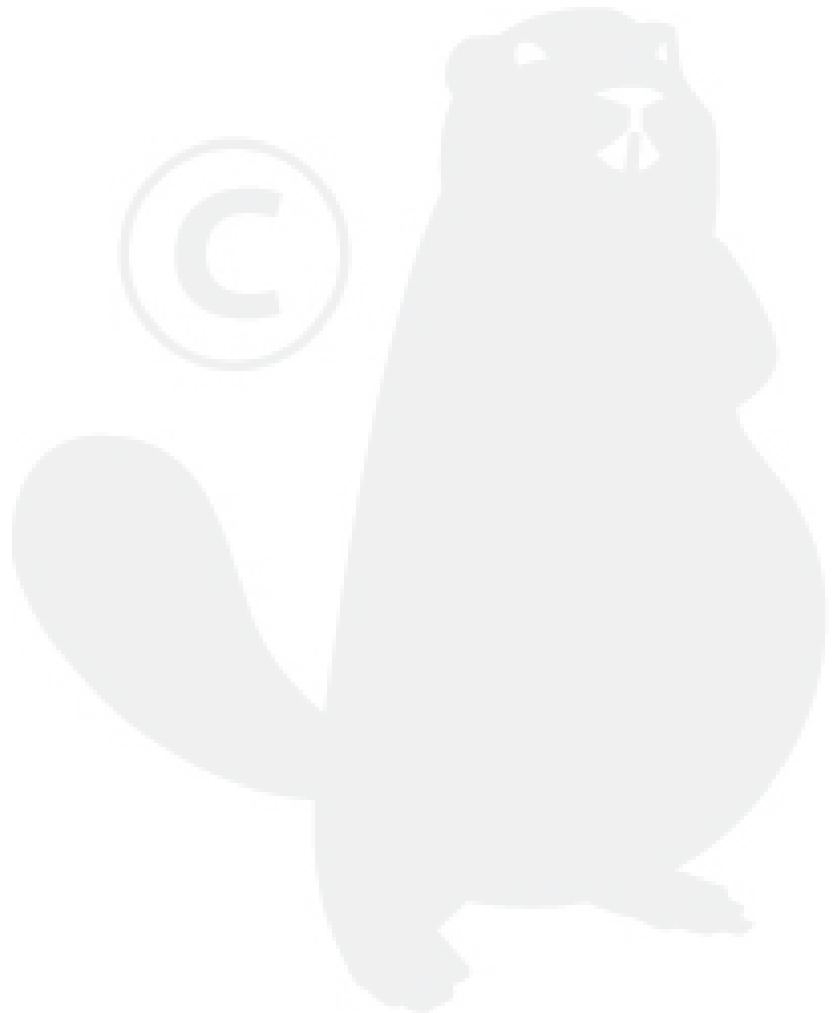


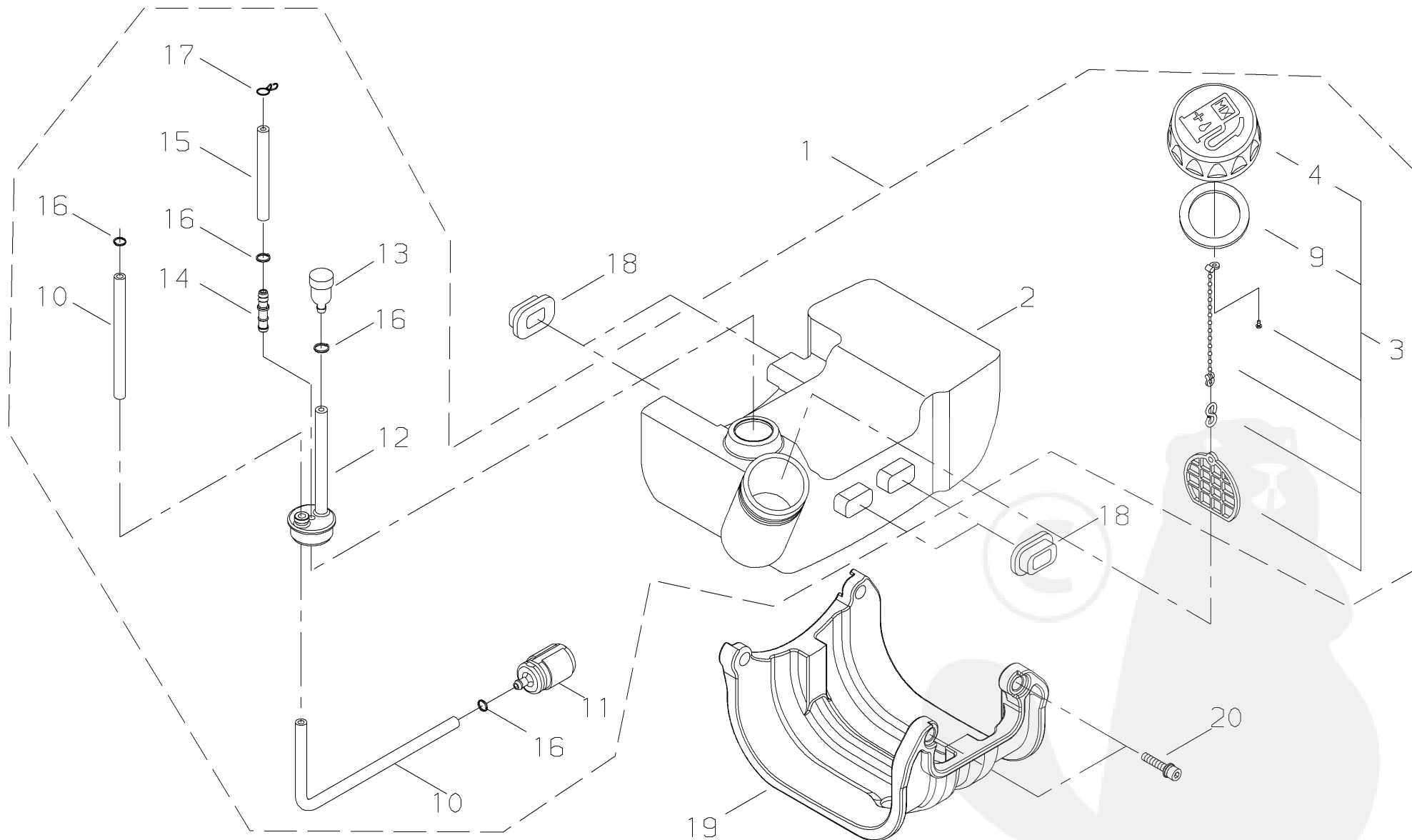
Ref. No	Part No.	Part Name	Q`ty	Remarks
5- 1	62907-75010	RECOIL STARTER ASSY	1	
2	62907-75110	*STARTER CASE	1	
3	62907-75120	*REEL	1	
4	70030-75130	*RECOIL SPRING	1	
5	62907-75140	*ROPE	1	
6	62907-75150	*KNOB	1	
7	37013-75310	*SCREW	1	
8	37013-75320	*COLLAR	1	
9	37013-75330	*SWING ARM	1	
10	37013-75210	STARTER PULLEY	1	
11	11024-04140	BOLT, SPW	4	
12	19420-00070	LABEL, TRADE	1	





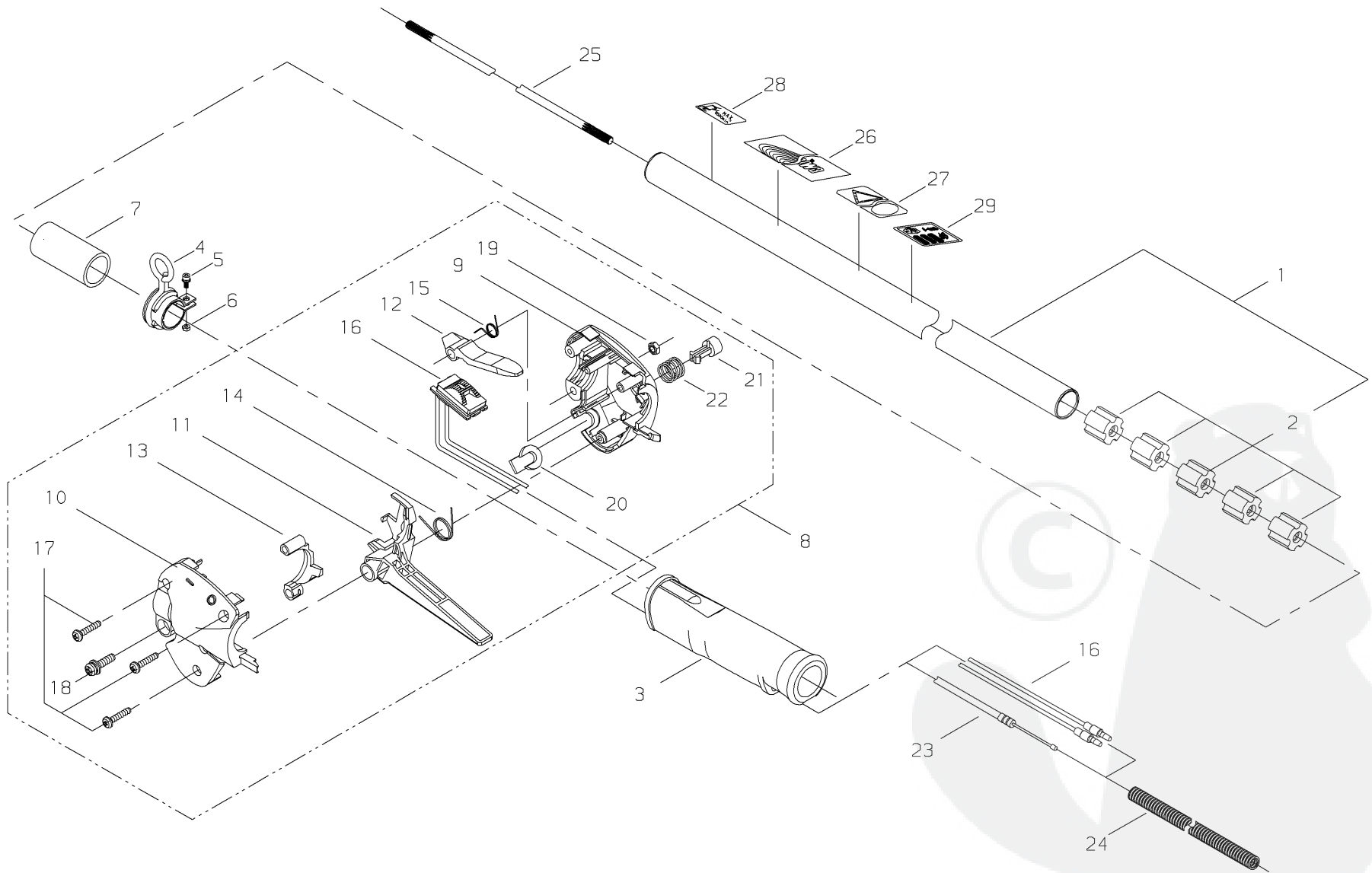
Ref. No	Part No.	Part Name	Q`ty	Remarks
6- 1	62907-81011	CABURETOR ASSY	1	
2	62907-81321	*VALVE	1	
3	72933-81450	*SWIVEL	1	
4	20089-81185	*WASHER	1	
5	20036-81195	*E-RING	1	
6	70064-81290	*SCREW	2	
7	37013-81350	*PUMP BODY ASSY	1	
8	20016-81420	*PUMP BASE, COMP	1	
9	20016-81510	*PUMP COVER	1	
10	20036-81670	*PRIMER PUMP	1	
11	20016-81140	*SCREW	4	
12	20016-81250	*O-RING	1	
21	60902-98030	*GASKET SET	1	
22	60907-98341	*VALVE SET	1	
13	62907-81210	GASKET	1	
14	62905-82010	AIR FILTER BASE ASSY	1	
15	62902-82120	FILTER	1	
16	62902-82030	CLEANER COVER ASSY	1	
17	62901-82131	*CLEANER COVER	1	
18	62901-82330	*KNOB, AIR FILTER COVER	1	
19	11203-05605	SCREW, PMSW	2	
20	01613-05080	WASHER	2	



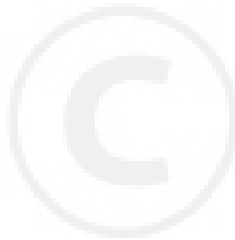


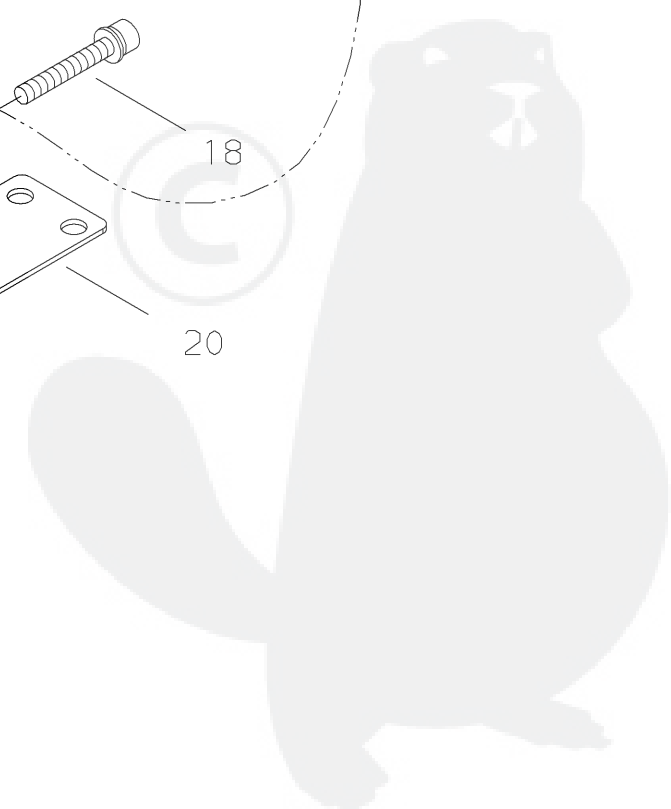
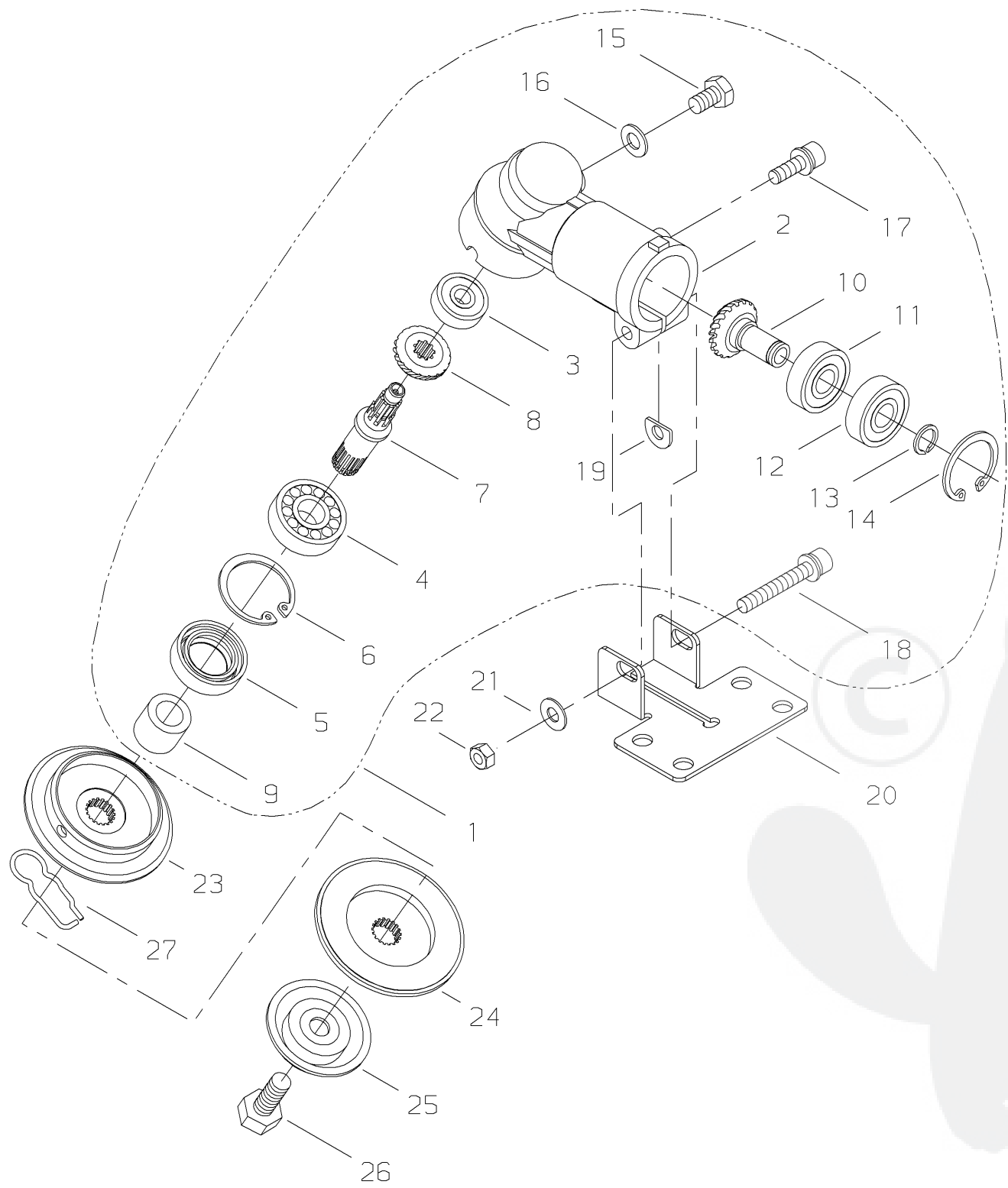
Ref. No	Part No.	Part Name	Q`ty	Remarks
7- 1	62907-85310	FUEL TANK ASSY	1	
2	62907-85110	*FUEL TANK	1	
3	70168-85201	*FUEL CAP ASSY	1	
4	70168-85210	**FUEL CAP	1	
9	20000-85221	**GASKET	1	
10	70170-85310	*FUEL PIPE	1	
11	20016-85400	*FUEL FILTER	1	
12	20112-85351	*GROMMET	1	
13	22197-33960	*VALVE	1	
14	72933-85620	*JOINT	1	
15	32003-85330	*PIPE	1	
16	20020-85540	*CLIP	3	
17	37013-85310	*CLIP	1	
18	62901-85220	TANK CUSHION	4	
19	62902-85320	TANK GUARD	1	
20	11022-05200	BOLT, SPW	2	





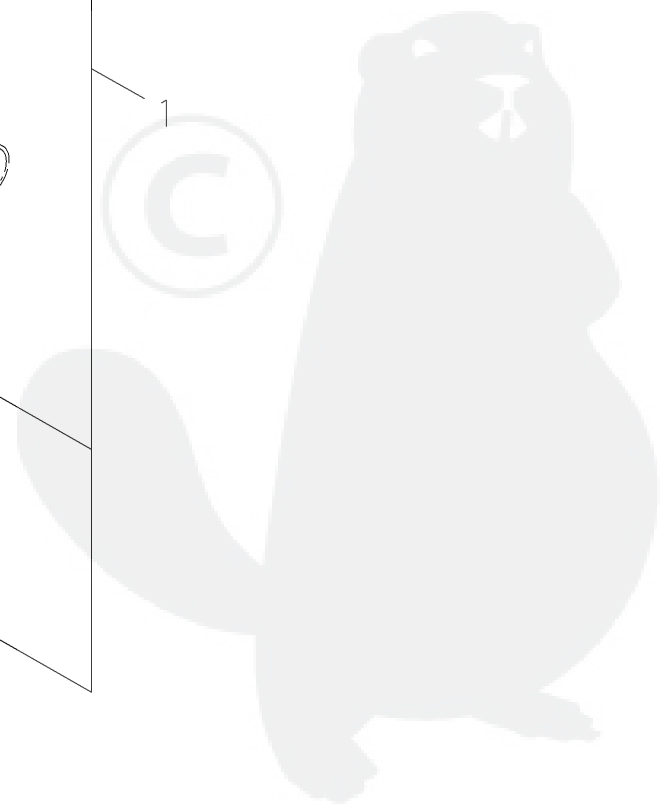
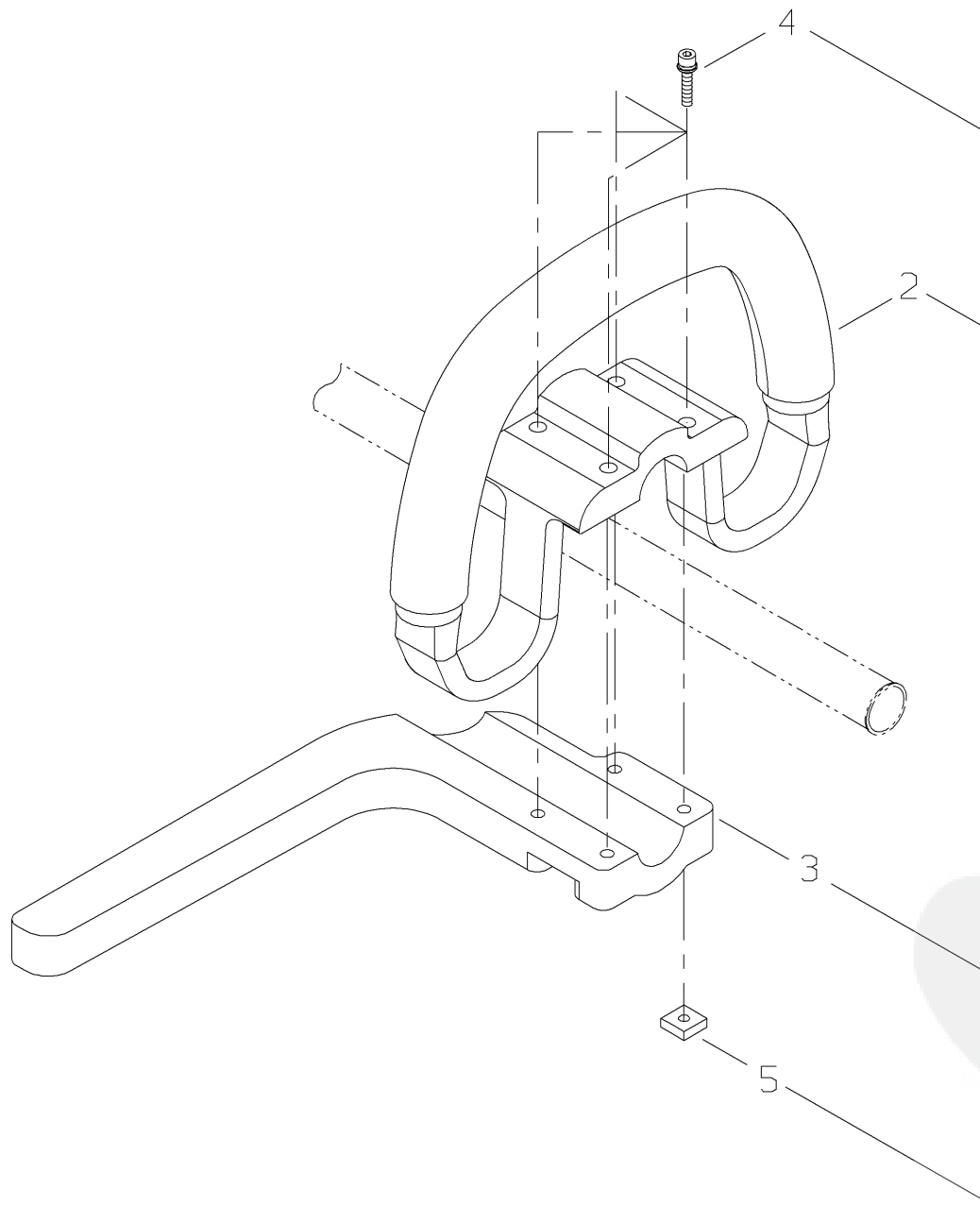
Ref. No	Part No.	Part Name	Q`ty	Remarks
8- 1	60907-98380	OUTER PIPE COMP	1	
2	22024-12120	*BUSHING	5	
3	63043-62140	GRIP	1	
4	22009-12210	HANGER	1	
5	11022-05120	BOLT, SPW	1	
6	01500-05041	NUT	1	
7	63000-62311	PROTECTOR	1	
8	63907-62020	THROTTLE LEVER ASSY	1	
9	63000-62340	*BODY, RIGHT	1	
10	63000-62350	*BODY, LEFT	1	
11	63002-62340	*LEVER	1	
12	63901-62352	*LOCK LEVER	1	
13	63002-62350	*HOLDER	1	
14	63880-65350	*COIL SPRING	1	
15	63901-62370	*COIL SPRING	1	
16	63907-62310	*SWITCH	1	
17	63880-65360	*SCREW, TAPPING	3	
18	11206-05201	*SCREW, PMSPW	1	
19	01501-05030	*NUT	1	
20	63880-65411	*PLUG	1	
21	70871-65170	*BUTTON	1	
22	70871-65180	*COIL SPRING	1	
23	63907-62170	THROTTLE CABLE	1	
24	64902-62310	TUBE	1	
25	63907-62210	MAINSHAFT	1	
26	19420-00084	LABEL, TRADE	1	
27	19402-00090	LABEL, CAUTION	1	
28	19402-00223	LABEL, CAUTION	1	
29	19404-00033	LABEL, DECIBEL	1	





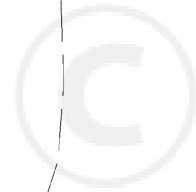
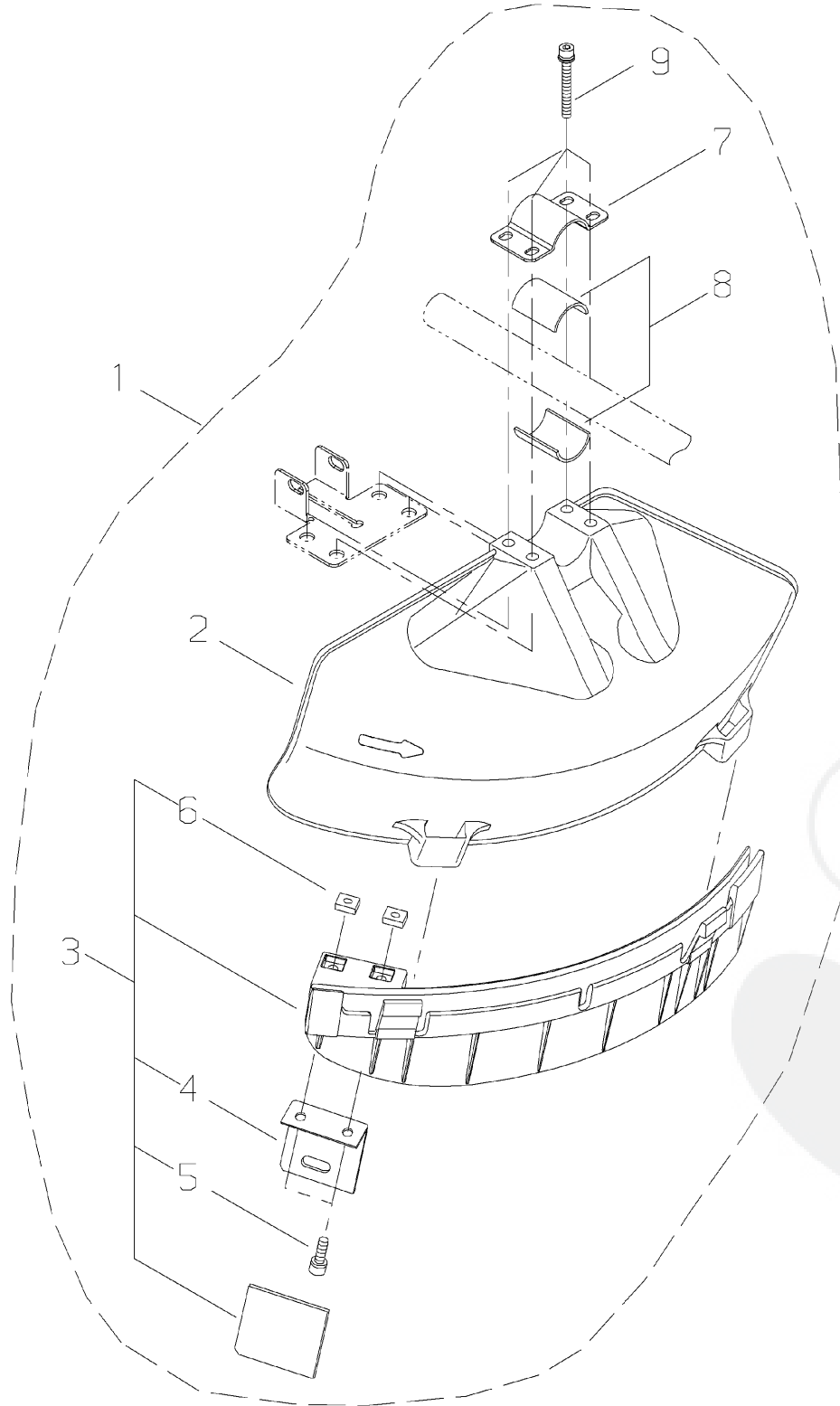
Ref. No	Part No.	Part Name	Q`ty	Remarks
9- 1	63000-63020	GEARCASE COMP	1	
2	22024-13112	*GEARCASE	1	
3	02046-00609	*BEARING	1	
4	02000-06201	*BEARING	1	
5	22024-13121	*OIL SEAL	1	
6	02432-32120	*SNAP RING	1	
7	72435-13210	*GEAR SHAFT	1	
8	22024-13220	*BEVEL GEAR	1	
9	22000-13230	*COLLAR	1	
10	22024-13391	*PINION SET	1	
11	02000-06901	*BEARING	1	
12	02002-06901	*BEARING	1	
13	20000-31140	*SNAP RING	1	
14	02432-24120	*SNAP RING	1	
15	22015-13410	*BOLT	1	
16	22015-13420	*GASKET	1	
17	11022-05160	*BOLT, SPW	1	
18	11022-06400	*BOLT, SPW	1	
19	22011-13450	*SHIM	1	
20	72441-16130	LOWER CLAMP	1	
21	01613-06100	WASHER	1	
22	01500-06051	NUT	1	
23	22024-13912	HOLDER A	1	
24	63000-63170	HOLDER	1	
25	22024-13291	BOLT GUARD	1	
26	22000-13512	BOLT	1	
27	22000-13530	SLIDE PIN	1	





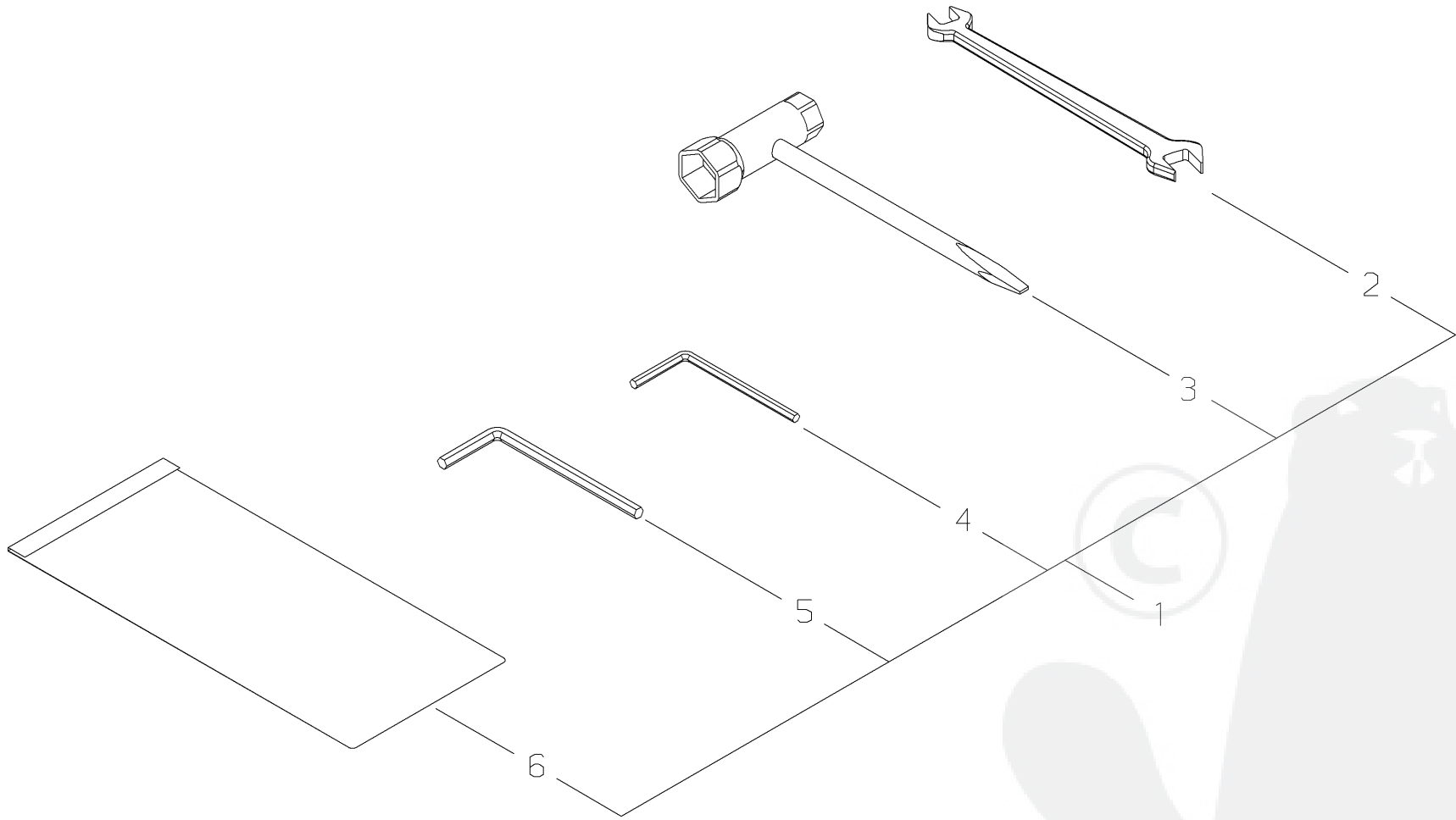
Ref. No	Part No.	Part Name	Q`ty	Remarks
10- 1	62074-64011	HANDLE ASSY	1	
2	62074-64111	*HANDLE	1	
3	62074-64120	*BARRIER	1	
4	11022-05350	*BOLT, SPW	4	
5	22420-16120	*NUT	4	





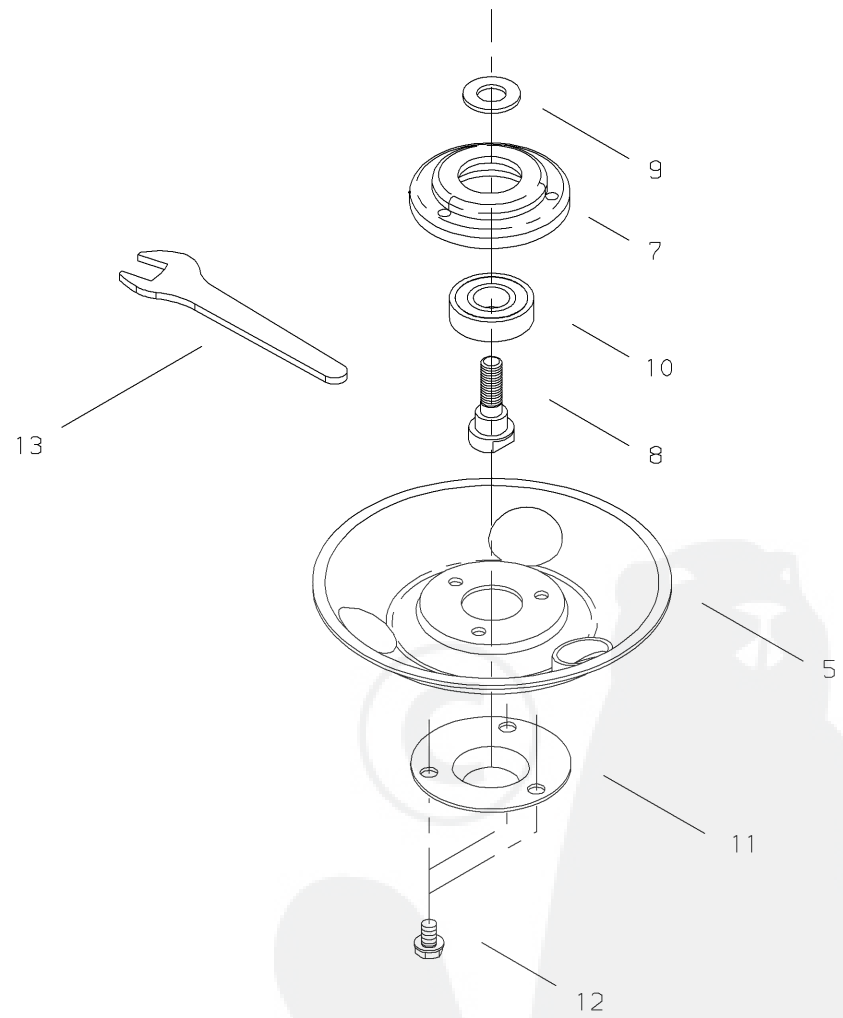
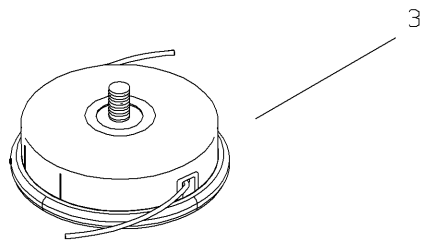
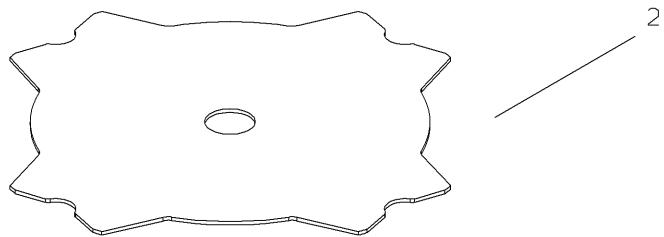
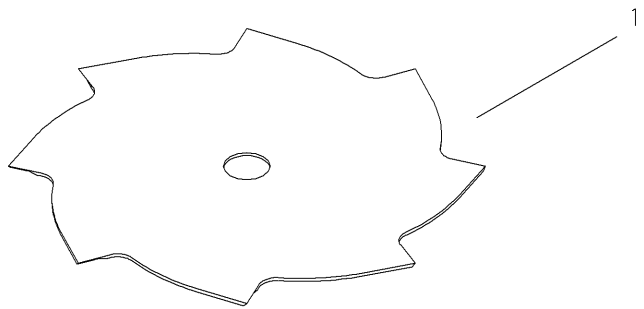
Ref. No	Part No.	Part Name	Q`ty	Remarks
11- 1	64000-66310	GUARD SET	1	
2	62903-66110	*GUARD	1	
3	62903-66331	**SUB GUARD ASSY	1	
4	72480-16121	**CUTTER	1	
5	11020-05160	**BOLT, SW	2	
6	22420-16120	**NUT	2	
7	72480-16210	*UPPER CLAMP	1	
8	72441-16220	*SPACER	2	
9	11022-05450	*BOLT, SPW	4	



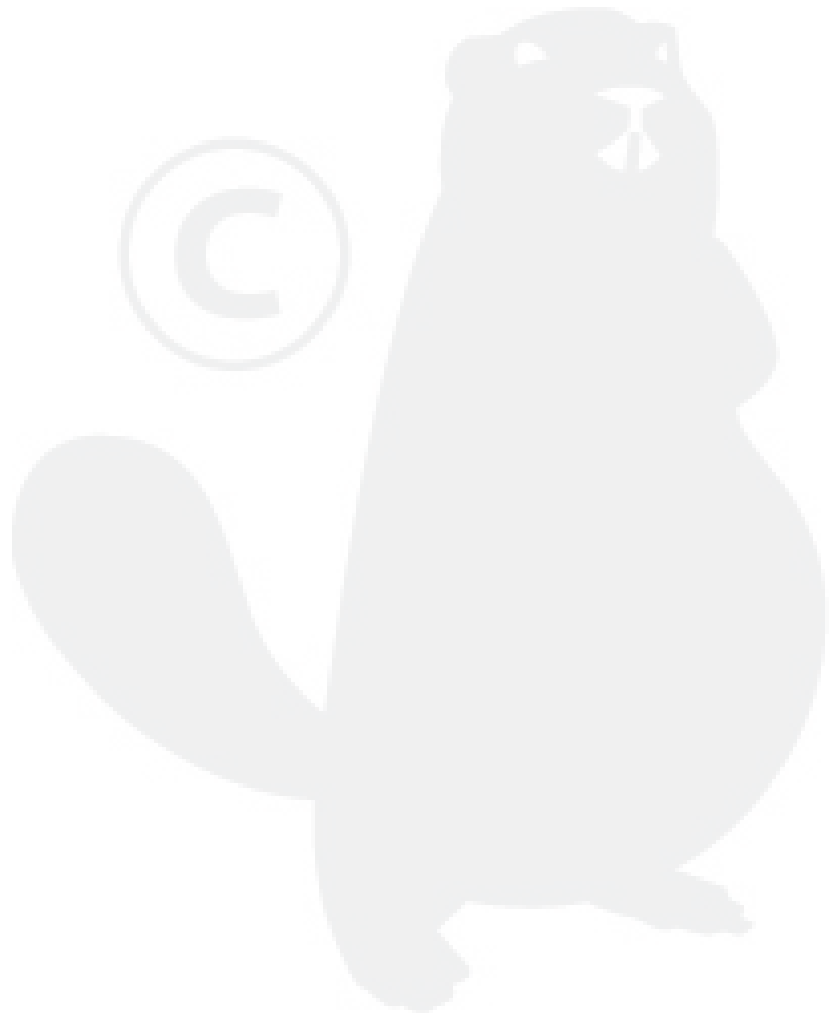


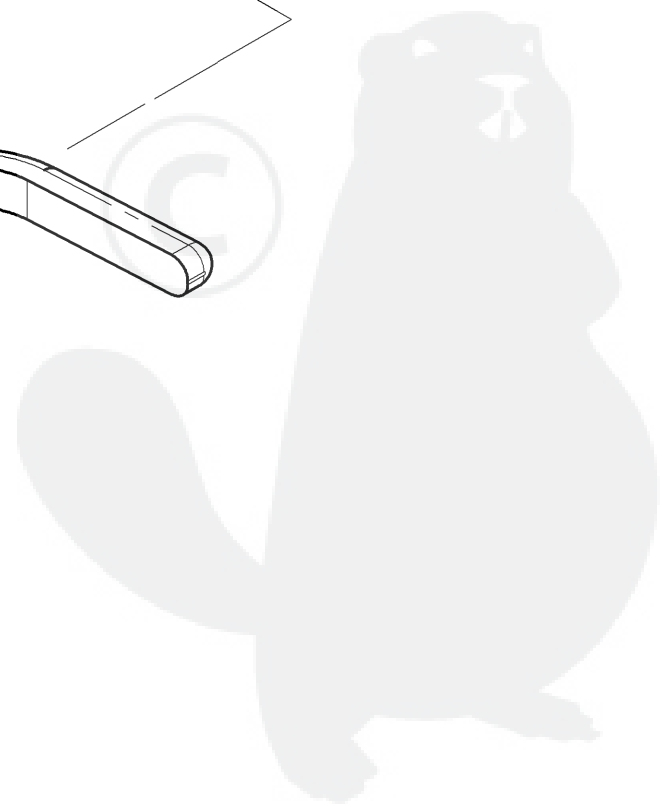
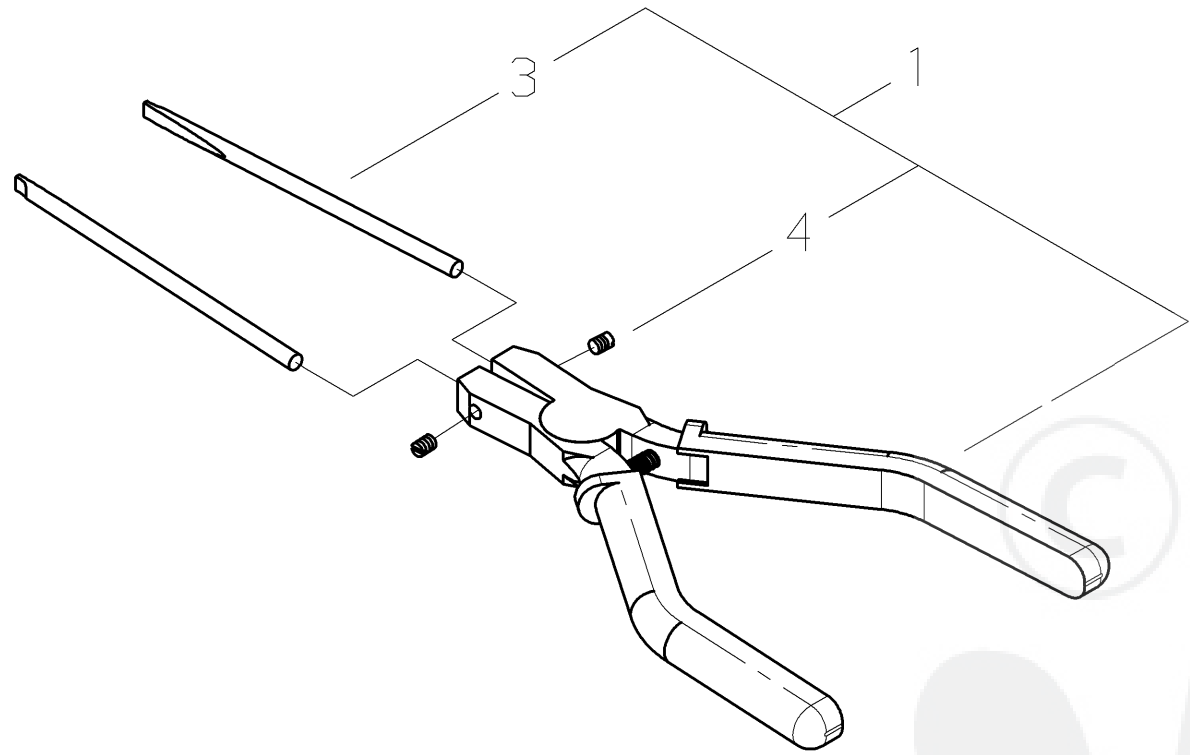
Ref. No	Part No.	Part Name	Q`ty	Remarks
12- 1	64902-92310	TOOL SET	1	
2	22000-91120	*SPANNER	1	
3	22580-91180	*PLUG WRENCH	1	
4	09026-04001	*HEX WRENCH 5MM	1	
5	09026-05001	*HEX WRENCH 6MM	1	
6	19639-01400	*TOOL BAG	1	





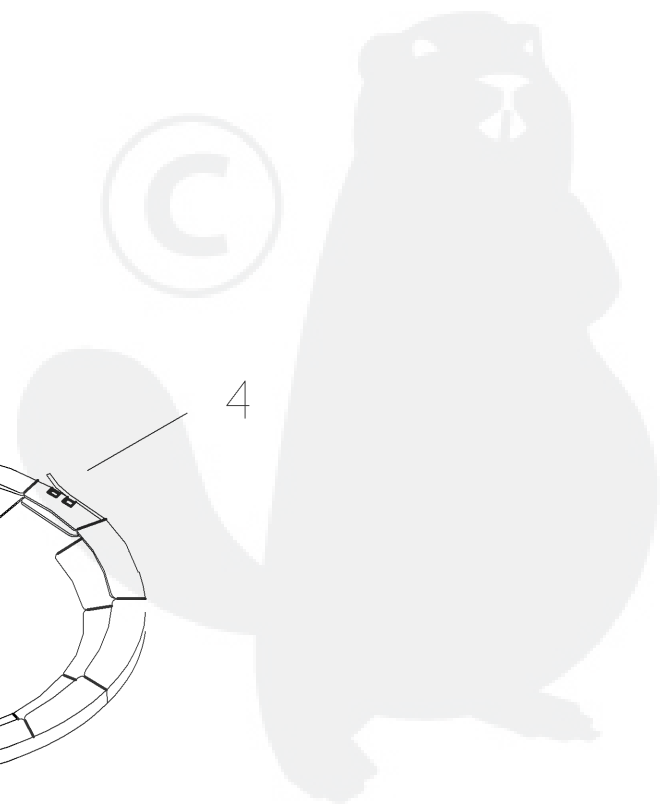
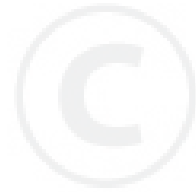
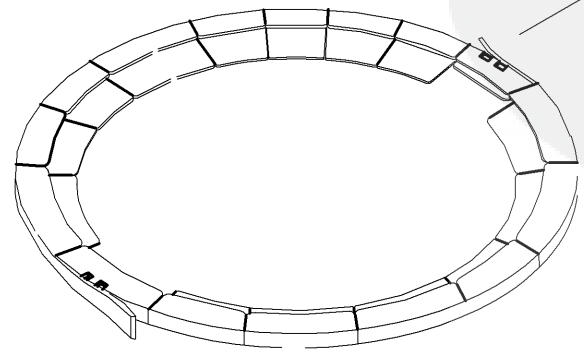
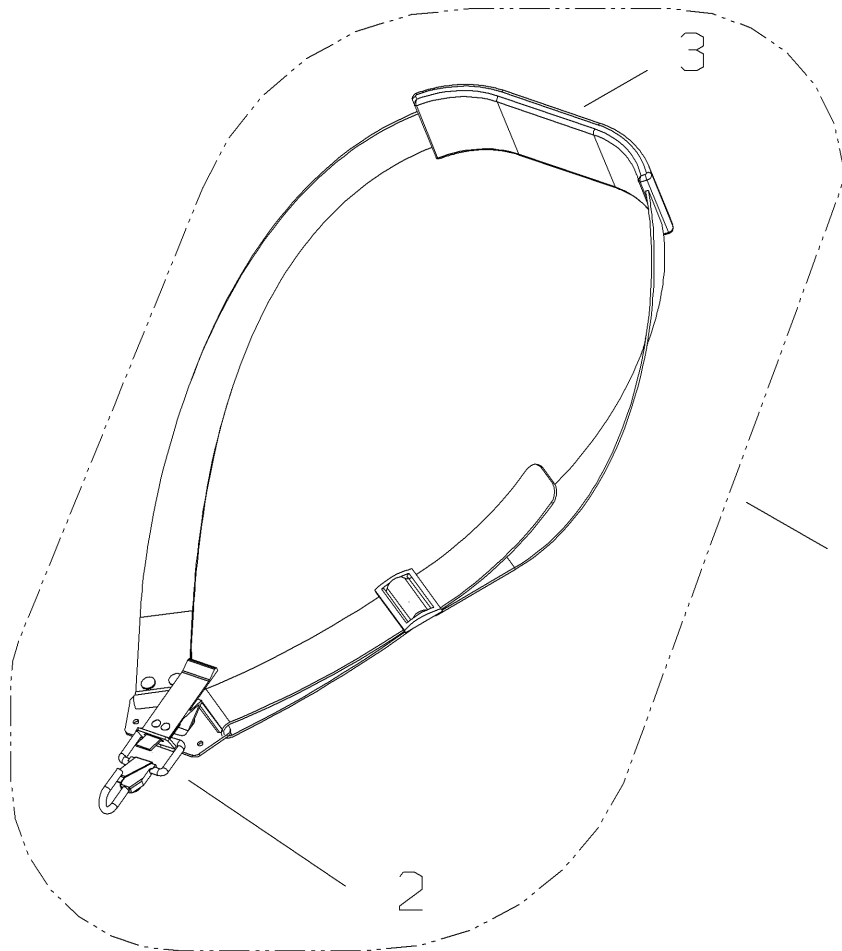
Ref. No	Part No.	Part Name	Q`ty	Remarks
13- 1	60903-98310	EDDY SAW	1	
2	60903-98320	CROSS SAW	1	
3	78820-15000	TRIMMER HEAD ASSY	1	
5	22013-15310	STABILIZER	1	
7	22013-15320	HOLDER	1	
8	22013-15330	BEARING SHAFT	1	
9	22013-15340	WASHER	1	
10	02002-06001	BEARING	1	
11	22013-15350	SHAFT COVER	1	
12	01015-05100	BOLT, SW	3	
13	09011-13006	SPANNER	1	





Ref. No	Part No.	Part Name	Q`ty	Remarks
14- 1	60907-98360	PLIERS	1	
3	60907-98370	*ROD	2	
4	01236-03040	*SET SCREW	2	





Ref. No	Part No.	Part Name	Q`ty	Remarks
15- 1	22421-17202	STRAP ASSY	1	
2	22421-17130	*HOOK	1	
3	72451-17330	*PROTECTOR	1	
4	22550-92310	*BLADE COVER	1	

