

Shindaiwa Illustrated Parts List

BP45 CE Brushcutter

CYLINDER / MUFFLER	2
CRANKCASE / FAN COVER / CYLINDER COVER	3
PISTON / CRANKSHAFT / CLUTCH SHOE	4
ROTOR / COIL ASSEMBLY	5
CARBURETOR / CLEANER	6 - 7
FUEL TANK / FILTER / BAND ASSEMBLY	8 - 9
RECOIL STARTER	10
OUTER PIPE / THROTTLE LEVER	11
GEARCASE	12
BRACKET ASSEMBLY / HANDLE ASSEMBLY	13
PULLER ASSEMBLY / ROD BUSHING	14
TOOL SET	15

www.shindaiwa.com

11975 SW Herman Road

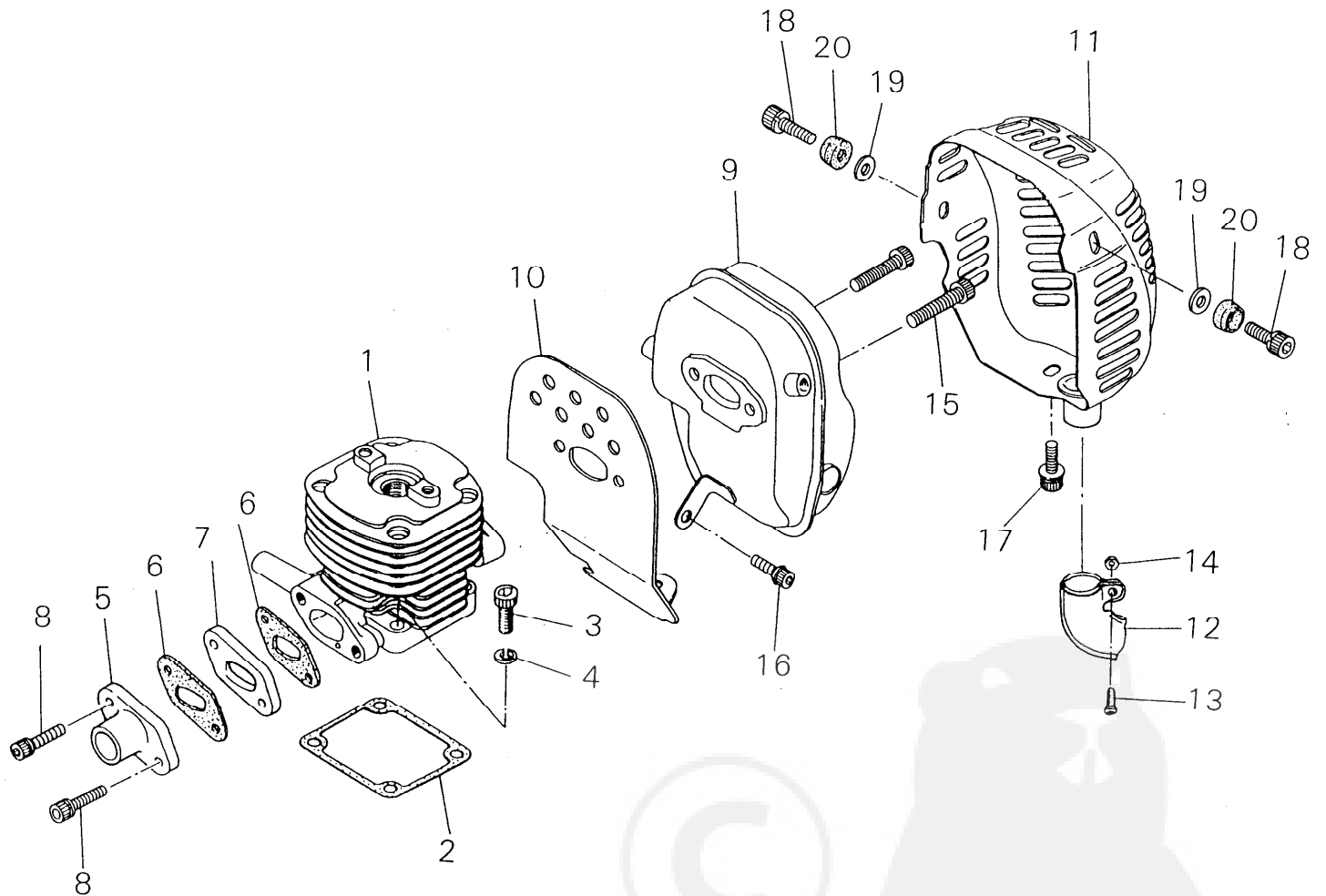
Tualatin, Oregon 97062, U.S.A.

1 + 503.692.3070 • fax 1 + 503.692.6696 •

shindaiwa

CYLINDER / MUFFLER

ILLUSTRATION 1 - REV 11/02

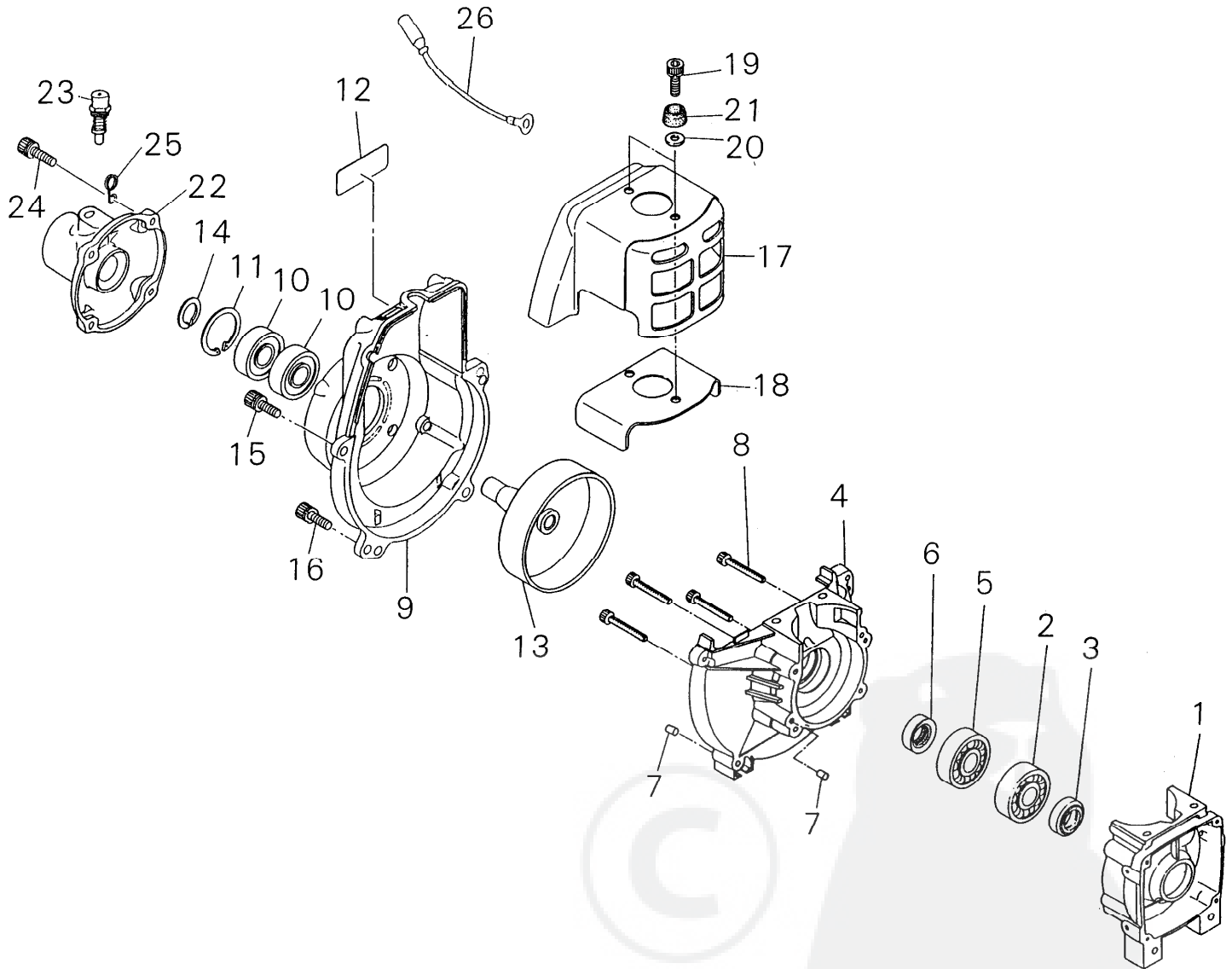


Ref. No	Part No.	Part Name	Q'ty
1-1	70198-12110	CYLINDER	1
2	20010-12120	GASKET CYLINDER	1
3	01020-05250	BOLT	4
4	01600-05131	SPRING WASHER	4
5	20051-12211	INLET PIPE	1
6	20051-12220	GASKET INSULATOR	2
7	20051-12230	INSULATOR	1
8	11022-05250	BOLT SPW	2
9	70199-15110	MUFFLER	1
10	70210-15211	GASKET	1

Ref. No	Part No.	Part Name	Q'ty
11	70199-15312	MUFFLER GUARD	1
12	20050-15410	TAILPIPE	1
13	11203-04100	SCREW PM	1
14	01500-04031	NUT	1
15	01020-06250	BOLT	2
16	11024-05120	BOLT SLPW	1
17	11024-05100	BOLT SLPW	1
18	11020-05100	BOLT SW	2
19	70196-32150	WASHER	2
20	70196-32160	COVER	2

CRANKCASE / FAN COVER / CYLINDER COVER

ILLUSTRATION 2 - REV 11/02



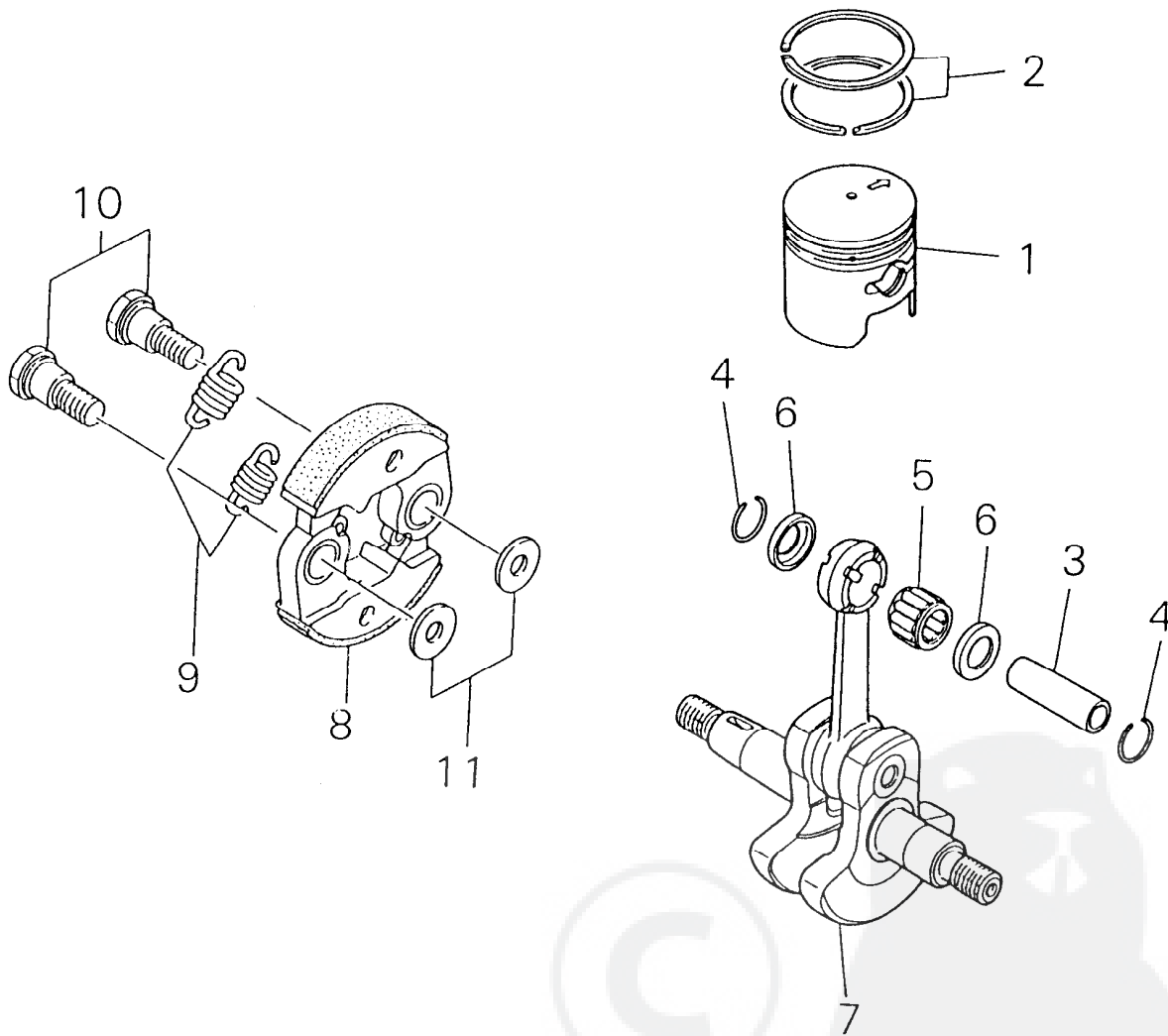
Ref. No	Part No.	Part Name	Q'ty
2-	20051-21100	CRANKCASE S COMP	1
1	20051-21110	*CRANKCASES	1
2	12900-62020	*BEARING	1
3	20010-21211	*OIL SEAL	1
	20051-21200	CRANKCASE M COMP	1
4	70012-21121	*CRANKCASE M	1
5	12900-62020	*BEARING	1
6	20010-21211	*OIL SEAL	1
7	12492-50100	*ROLLER	4
8	01020-05300	BOLT	4
9	70012-31111	FAN COVER	1
10	02006-06002	BEARING	2
11	02432-32120	SNAP RING	1
12	70112-31150	NAMEPLATE	1

Ref. No	Part No.	Part Name	Q'ty
13	20050-31210	CLUTCH DRUM	1
14	20011-31230	SNAP RING	1
15	11022-05200	BOLT SPW	2
16	11022-05350	BOLT SPW	2
17	70196-32110	CYLINDER COVER	1
18	70196-32141	GASKET	1
19	11020-05140	BOLT SW	2
20	70196-32150	WASHER	2
21	70196-32160	COVER	1
22	20051-35130	JOINT CASE	1
23	20112-35200	PIN COMP	1
24	11022-05200	BOLT SPW	4
25	20024-83152	CABLE HOLDER	1
26	70056-83140	EARTH CORD B	1

* Denotes item is part of an assembly ** Denotes item is part of a sub-assembly

PISTON / CRANKSHAFT / CLUTCH SHOE

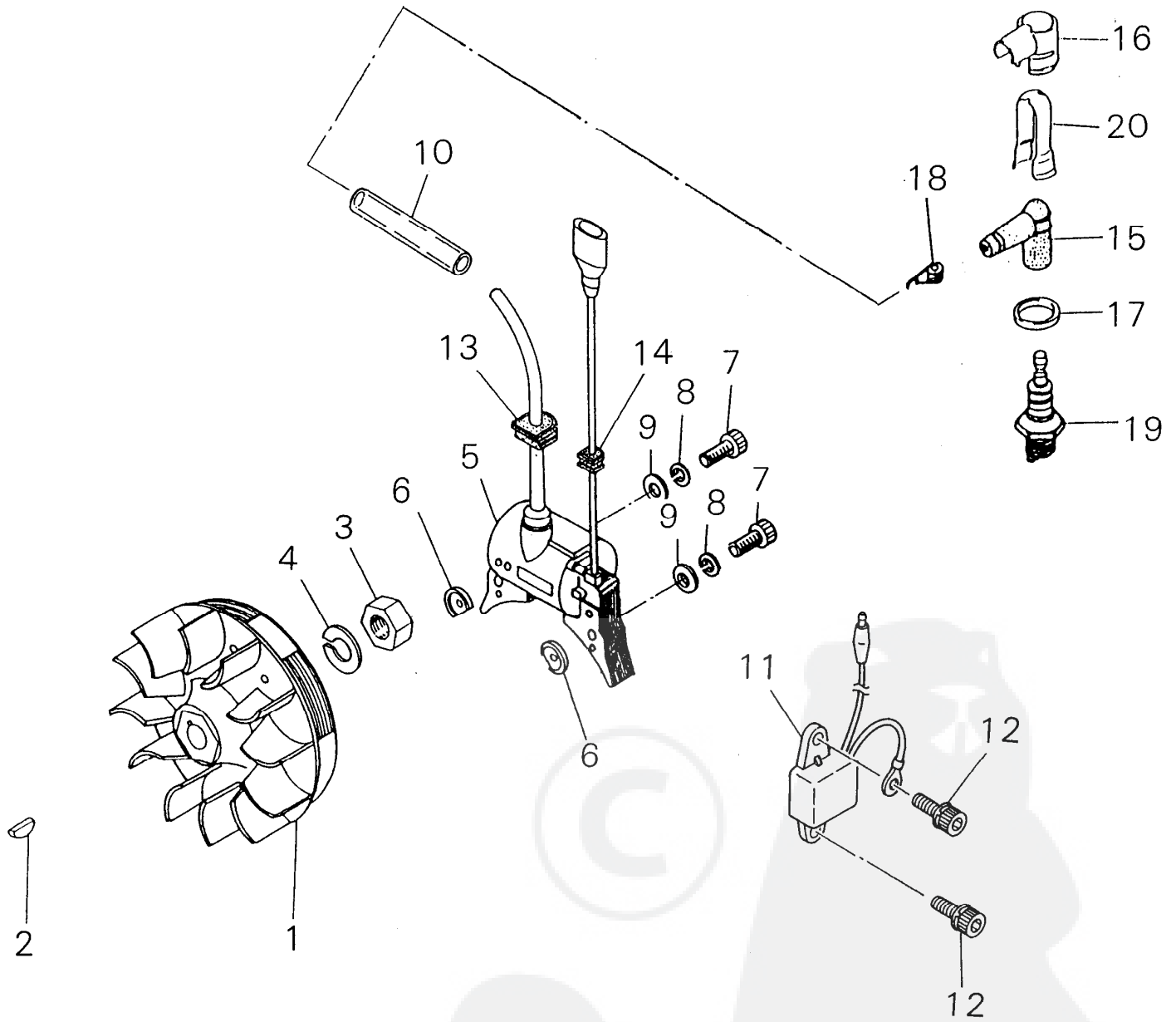
ILLUSTRATION 3 - REV 11/02



Ref. No	Part No.	Part Name	Q'ty
3-1	20021-41112	PISTON	1
2	20021-41210	PISTON RING	2
3	20021-41311	PISTON PIN	1
4	22152-41231	SNAP RING	2
5	20021-41330	BEARING SE	1
6	20021-41341	THRUST WASHER	2
7	20021-42002	CRANKSHAFT ASSEMBLY	1
	20050-51102	CLUTCH SHOE ASSEMBLY	1
8	20050-51111	*CLUTCH SHOE	2
9	20050-51121	*CLUTCH SPRING	2
10	20010-51130	*CLUTCH BOLT	2
11	20010-51141	*WASHER	2

ROTOR / COIL ASSEMBLY

ILLUSTRATION 4 - REV 11/02



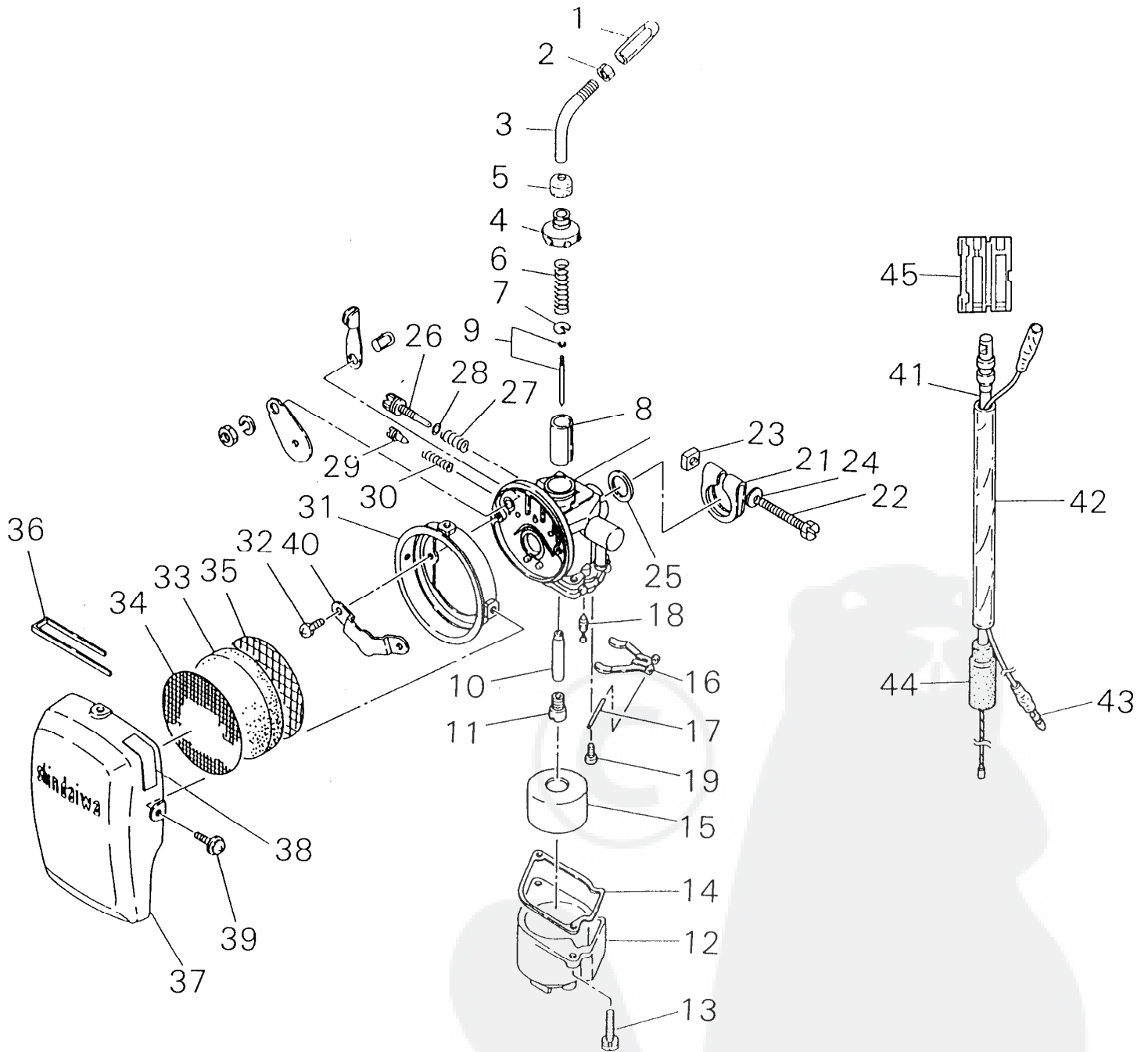
Ref. No	Part No.	Part Name	Q'ty
4-1	20010-71201	ROTOR	1
2	02403-03100	KEY	1
3	01511-10061	NUT	1
4	01600-10251	SPRING WASHER	1
5	20011-71611	COIL	1
6	20010-71631	SPACER COIL	2
7	01020-04260	BOLT	2
8	01600-04101	SPRING WASHER	2
9	20010-71650	WASHER	2
10	20011-71660	TUBE	1

Ref. No	Part No.	Part Name	Q'ty
11	72920-71711	UNIT	1
12	11024-04120	BOLT SPW	2
13	20011-72110	GROMMET	1
14	20011-72120	GROMMET	2
15	20010-72221	PLUG CAP	1
16	20000-72241	PLUG CAP COVER	1
17	20000-72250	COVER BAND	1
20	70180-72260	SHIELD	1
18	20000-72230	SPRING SPARKPLUG	1
19	13000-13406	SPARKPLUG BMR6A	1

* Denotes item is part of an assembly ** Denotes item is part of a sub-assembly

CARBURETOR / CLEANER

ILLUSTRATION 6 - REV 11/02



CARBURETOR / CLEANER

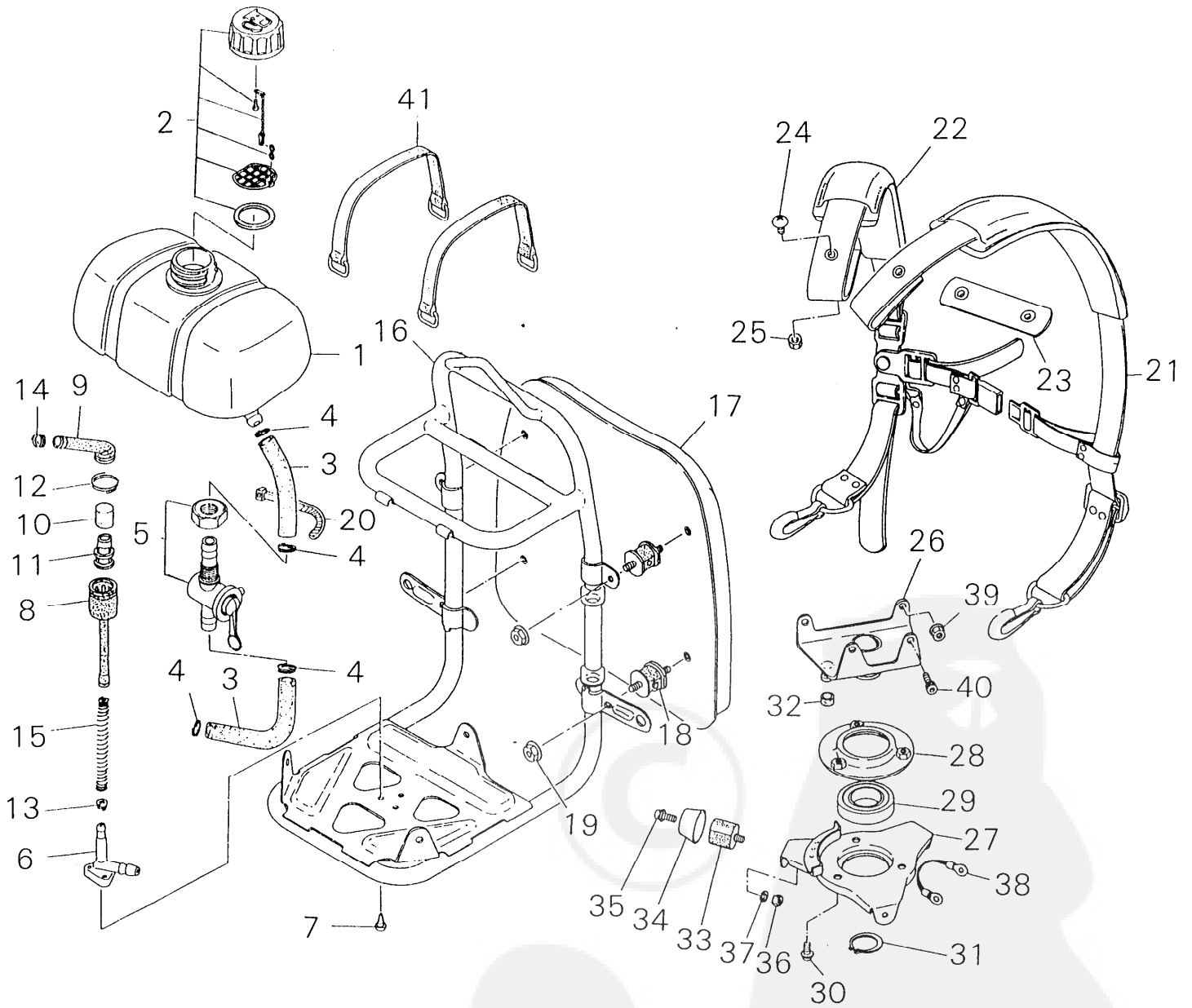
ILLUSTRATION 6 - REV 11/02

Ref. No	Part No.	Part Name	Q'ty
6-	70167-81020	CARBURETOR SUB ASSEMBLY	1
1	20055-81810	*CABLE ADJUSTER	1
2	20000-81260	*LOCKNUT	1
3	20055-81830	*ADJUST PIPE	1
4	20055-81120	*BODY CAP	1
5	20055-81130	*CAP	1
6	20003-81140	*THROTTLE SPRING	1
7	20000-81150	*SPRING RECEIVE	1
8	70112-81180	*THROTTLE VALVE	1
9	20055-81212	*JET NEEDLE	1
10	20055-81232	*NEEDLE JET	1
11	20045-81240	*MAINJET	1
12	20051-81311	*FLOAT CHAMBER	1
13	20014-81320	*SCREW	2
14	20014-81330	*PACKING	1
15	20014-81340	*FLOAT	1
16	20014-81350	*FLOAT HINGE	1
17	20014-81360	*HINGE PIN	1
18	20014-81381	*NEEDLE VALVE	1
19	20014-81390	*SCREW	1
21	20014-81510	*BAND	1
22	20014-81521	*BAND BOLT	1

Ref. No	Part No.	Part Name	Q'ty
23	20014-81530	*NUT	1
24	20014-81540	*WASHER	1
25	20010-81570	*FLANGE PACKING	1
26	20014-81810	*SLOW STOP SCREW	1
27	20010-81820	*ADJUST SPRING	1
28	20014-81830	*O-RING	1
29	20000-81330	*SLOW AIR SCREW	1
30	20000-81340	*SPRING	1
31	20010-81711	CLEANER BODY	1
32	20000-81730	SCREW	2
33	20000-81740	FILTER	1
34	20000-81750	NET A	1
35	20010-81760	NET B	1
36	20010-81781	SPRING NET	1
37	20010-81771	CLEANER COVER	1
38	19404-00008	LABEL CHOKE	1
39	20000-81735	SCREW	3
40	20014-81790	PLATE	1
41	70056-83200	THROTTLE CABLE B	1
42	20020-83120	PIPE	1
43	70056-83130	EARTH CORD A	1
44	20005-83160	CABLE CAP	1
45	70056-83190	CONNECTOR	1

FUEL TANK / FILTER / BAND ASSEMBLY

ILLUSTRATION 7 - REV 11/02



FUEL TANK / FILTER / BAND ASSEMBLY

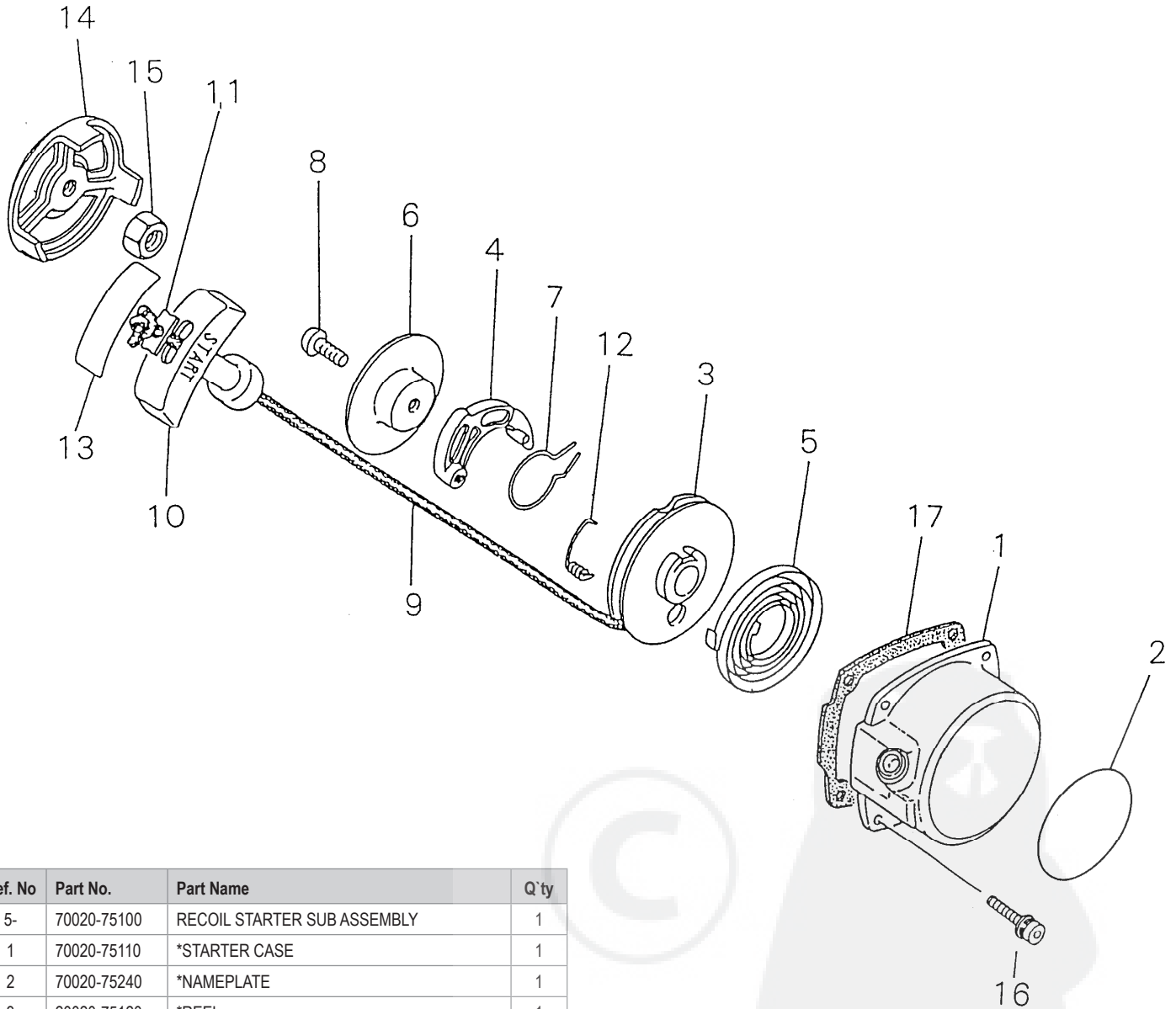
ILLUSTRATION 7 - REV 11/02

Ref. No	Part No.	Part Name	Q'ty
7- 1	20051-85110	FUEL TANK	1
2	70199-85202	FUEL CAP ASSEMBLY	1
3	70051-85410	FUEL PIPE	2
4	20051-85420	CLIP	4
5	20051-85300	FUEL COCK ASSEMBLY	1
6	20050-85461	ELBOW	1
7	11202-40100	SCREW HILO 4X10	3
	70051-85502	FILTER SUB ASSEMBLY	1
8	20051-85510	*FUEL PIPE	1
9	70051-85521	*FUEL PIPE A	1
	22999-00001	*FILTER SET#	1
10	20051-85540	**FILTER A	1
11	20051-85531	**FILTER	1
12	20050-85580	*CLIP	1
13	20050-85560	*CLIP	1
14	20051-85570	*CLIP A	1
15	20051-85590	*SPRING	1
16	20051-86112	FRAME	1
17	20051-86120	PAD	1
18	20051-86160	CUSHION 18K	4
19	11526-05112	FLANGE NUT	4

Ref. No	Part No.	Part Name	Q'ty
20	20000-83150	CLAMP	1
21	70199-86200	BAND ASSEMBLY	1
22	22044-17230	*PROTECTOR	2
23	20051-86320	JOINT BAND	1
24	01215-06140	SCREW TRUSS	2
25	22011-97840	LOCKNUT	2
26	20050-87110	BRACKET A	1
27	20050-87120	BRACKET B	1
28	20050-87131	RETAINER	1
29	02002-06005	BEARING	1
30	11206-05100	SCREW PMSPW	3
31	02430-25120	SNAP RING	1
32	20050-87150	STOP CUSHION	1
33	20050-87160	CUSHION	3
34	20050-87170	MOUNT HOLDER	3
35	11206-05100	SCREW PMSPW	3
36	01500-05041	NUT	3
37	01600-05131	SPRING WASHER	1
38	20051-87210	EARTH CORD	1
39	11526-05112	FLANGE NUT	2
40	11020-05120	BOLT SW	2
41	20020-86140	BAND	2

RECOIL STARTER

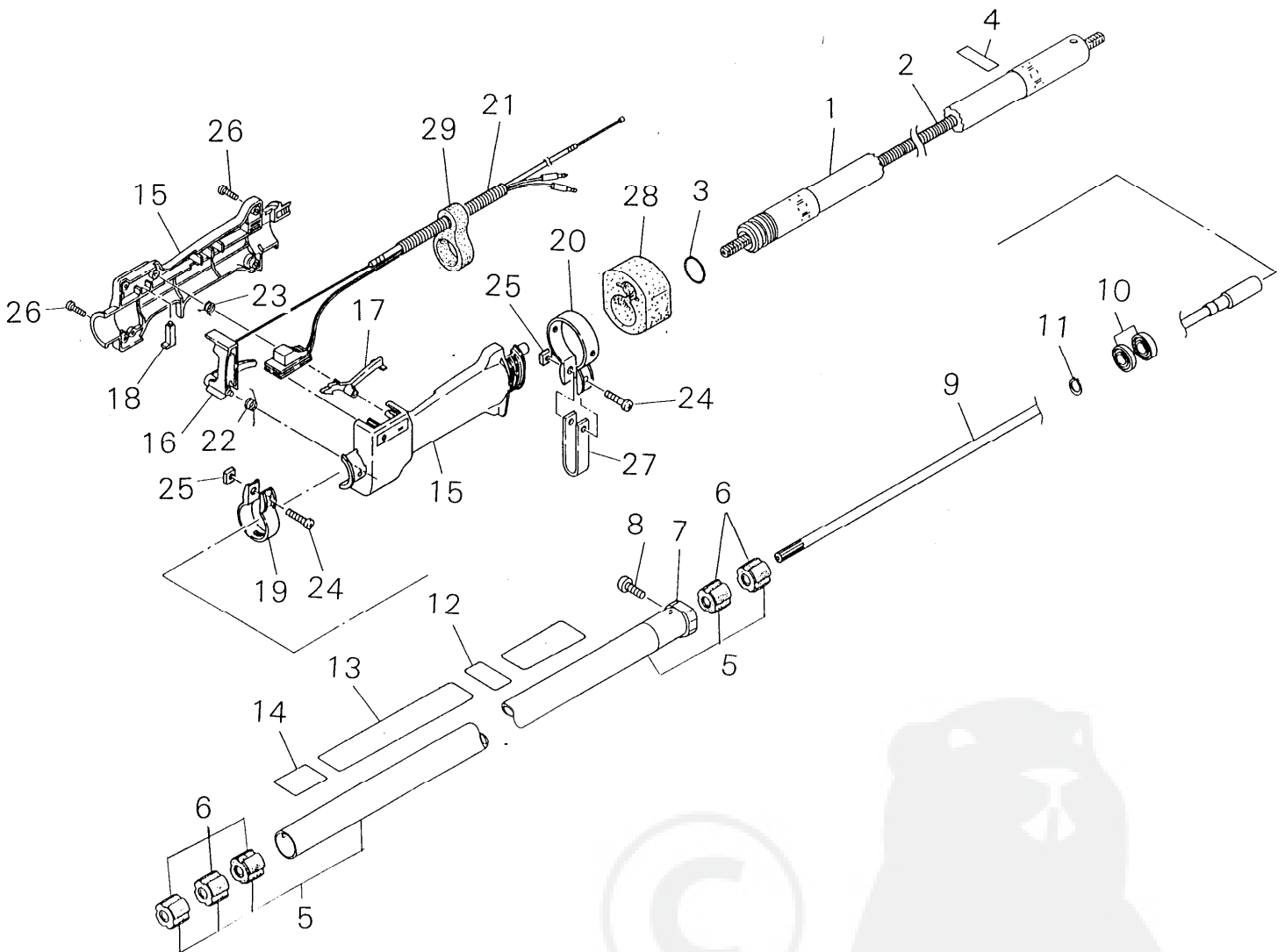
ILLUSTRATION 5 - REV 11/02



Ref. No	Part No.	Part Name	Q'ty
5-	70020-75100	RECOIL STARTER SUB ASSEMBLY	1
1	70020-75110	*STARTER CASE	1
2	70020-75240	*NAMEPLATE	1
3	20020-75120	*REEL	1
4	20000-75130	*RATCHET	1
5	20020-75140	*RECOIL SPRING	1
6	20000-75150	*PLATE FRICTION	1
7	20000-75160	*SPRING FRICTION	1
8	20000-75170	*SCREW	1
9	20020-75180	*ROPE	1
10	20010-75190	*STARTER KNOB	1
11	20010-75210	*STOPPER	1
12	20000-75220	*RETURN SPRING	1
13	20010-75230	*TAPE	1
14	70000-75230	STARTER PULLEY	1
15	20000-76210	NUT	1
16	11022-04160	BOLT SPW	4
17	20020-76110	GASKET STARTER	1

OUTER PIPE / THROTTLE LEVER

ILLUSTRATION 8 - REV 11/02



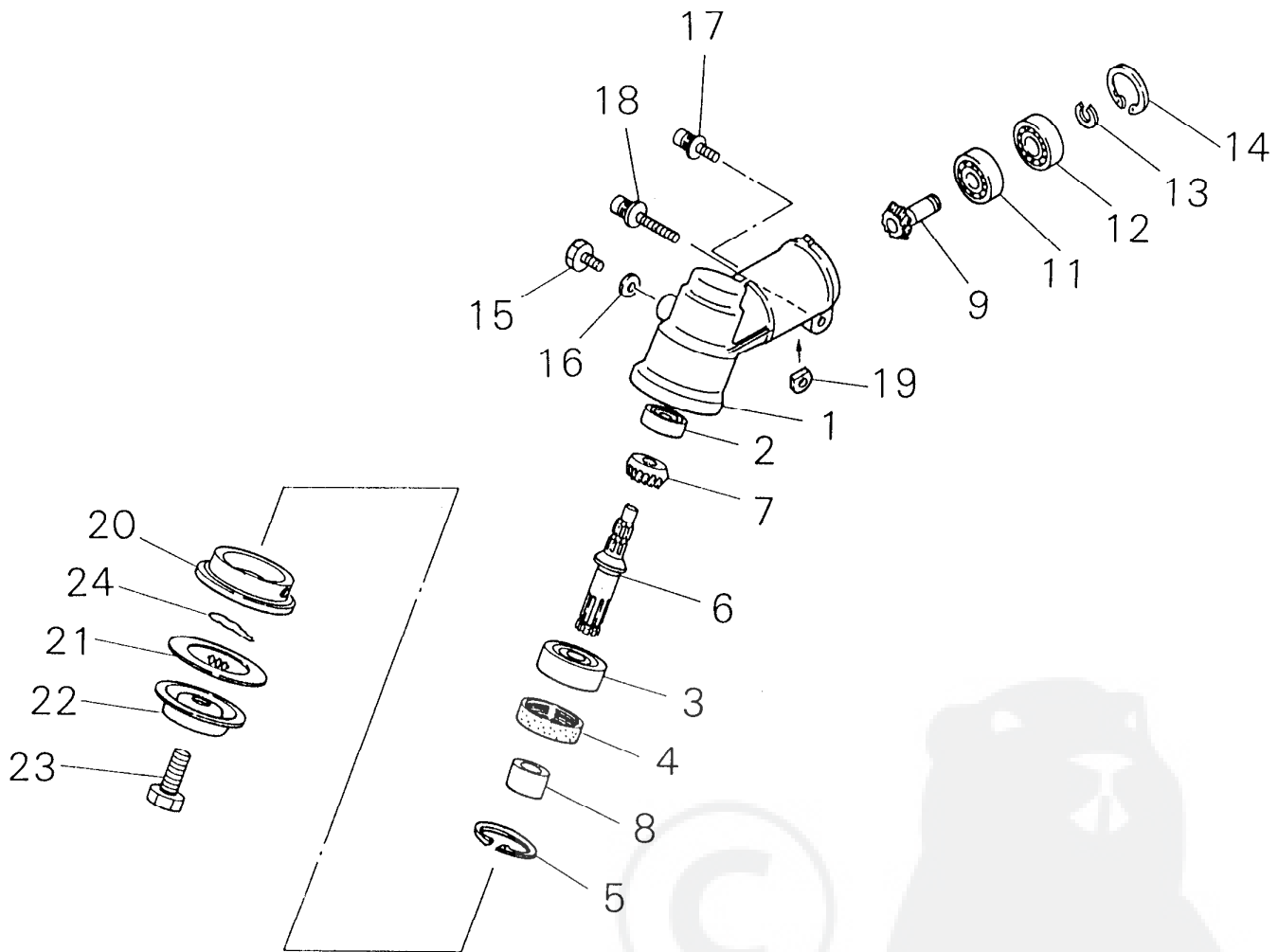
Ref. No	Part No.	Part Name	Q'ty
8-	72517-11103	FLEXIBLE SET	1
1	72517-11111	*FLEXIBLE PIPE	1
2	72517-11121	*FLEXIBLE SHAFT	1
3	22056-11140	*O-RING	1
4	72051-11150	CAUTION PLATE	1
5	72517-12100	OUTER PIPE SUB ASSEMBLY	1
6	22000-12120	*BUSHING	5
7	72517-12130	JOINT PIPE	1
8	22056-12340	SCREW	1
9	72517-12410	MAINSHAFT	1
10	02002-06900	BEARING	2
11	02430-10100	SNAP RING	1
12	72017-12150	HANDLE LABEL	1
13	19422-00010	LABEL CAUTION	1
14	19402-00223	LABEL CAUTION	1
	72517-12702	THROTTLE LEVER ASSEMBLY	1

Ref. No	Part No.	Part Name	Q'ty
15	72430-12800	*BODY SUB ASSEMBLY	1
16	72430-12730	*LEVER	1
17	72430-12740	*LOCK LEVER	1
18	72451-14550	*BUTTON	1
19	72451-14560	*CLAMP	1
20	72430-12750	*CLAMP	1
21	72517-12762	*THROTTLE CABLE COMP	1
22	72451-14580	*RETURN SPRING	1
23	72451-14590	*SPRING	1
24	11203-06200	*SCREW	2
25	72451-14610	*NUT	2
26	72451-14620	*SCREW TAPPING	4
27	72517-12180	STAND	1
28	72517-12190	HOLDER	1
29	20079-83140	CABLE HOLDER	1

* Denotes item is part of an assembly ** Denotes item is part of a sub-assembly

GEARCASE

ILLUSTRATION 9 - REV 11/02

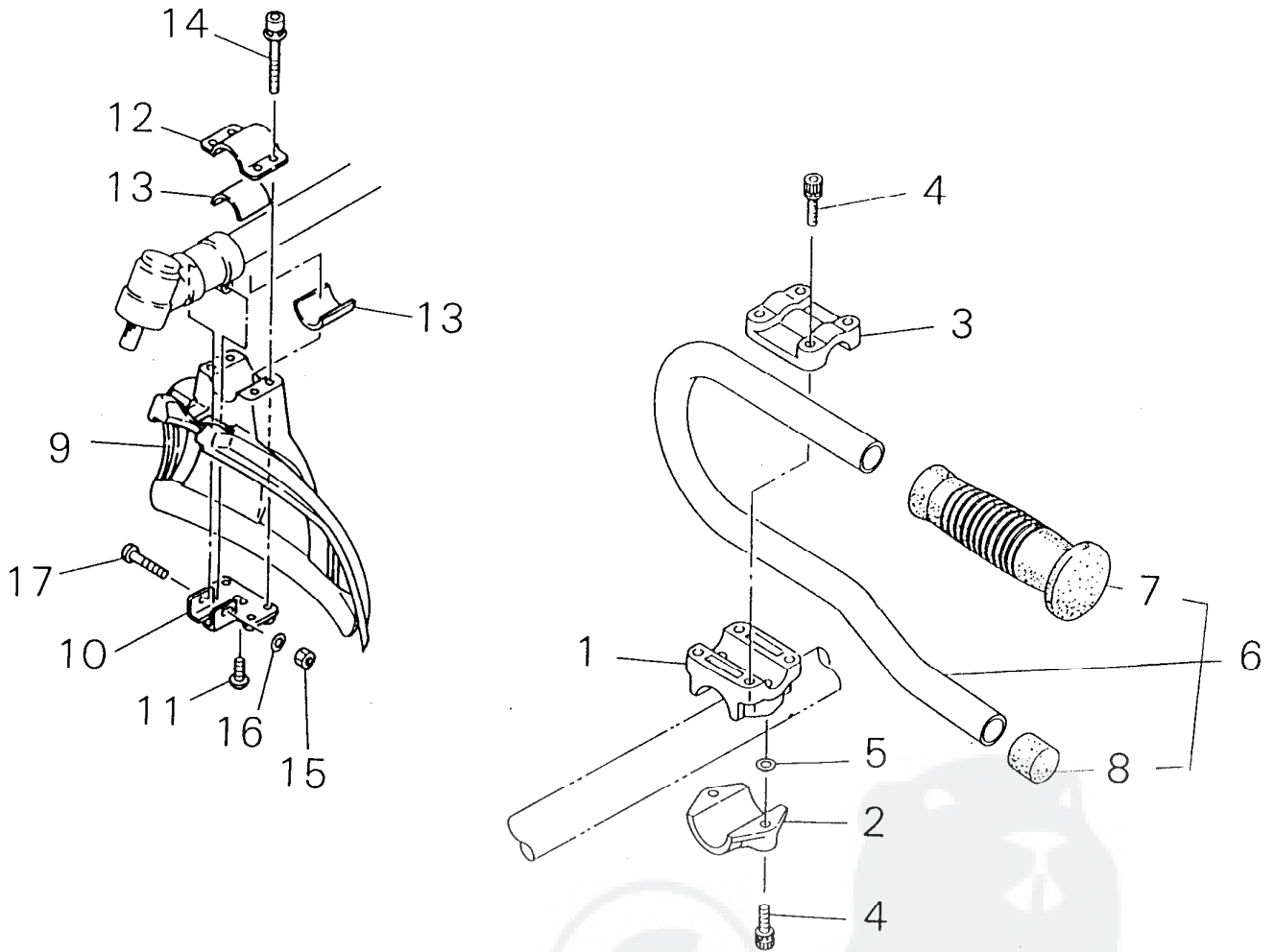


Ref. No	Part No.	Part Name	Q'ty
9-	72435-13013	GEARCASE SUB ASSEMBLY	1
1	72435-13112	*GEARCASE	1
2	02046-00609	*BEARING	1
3	02000-06201	*BEARING	1
4	22024-13121	*OIL SEAL	1
5	02432-32120	*SNAP RING	1
6	72435-13210	*GEARSHAFT	1
7	22024-13220	*BEVEL GEAR	1
8	22000-13230	*COLLAR	1
9	22024-13391	*PINION SET	1
11	02000-06901	*BEARING	1
12	02002-06901	*BEARING	1

Ref. No	Part No.	Part Name	Q'ty
13	20000-31140	*SNAP RING	1
14	02432-24120	*SNAP RING	1
15	22015-13410	*BOLT	1
16	22015-13420	*GASKET	1
17	11022-05160	*BOLT SPW	1
18	11022-06280	*BOLT SPW	1
19	22011-13450	*SHIM	1
20	22024-13912	HOLDER A	1
21	72435-13920	HOLDER B	1
22	22024-13291	BOLT GUARD	1
23	22000-13512	BOLT	1
24	22000-13530	SLIDE PIN	1

BRACKET ASSEMBLY / HANDLE ASSEMBLY

ILLUSTRATION 11 - REV 11/02

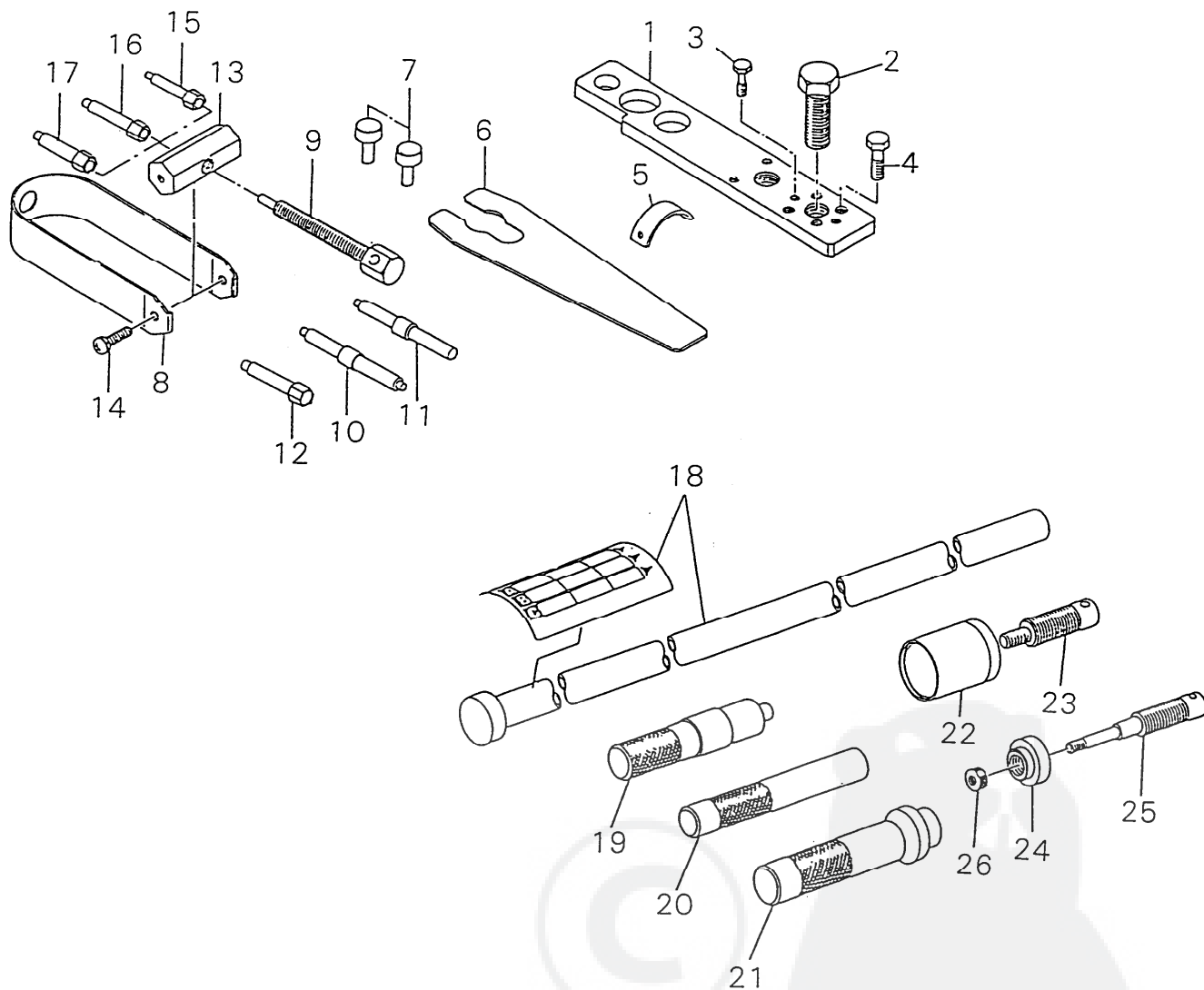


Ref. No	Part No.	Part Name	Q'ty
11-	72091-14100	BRACKET SUB ASSEMBLY	1
1	72051-14110	*HANDLE BRACKET	1
2	72051-14120	*LOWER CAP	1
3	72051-14131	*UPPER CAP	1
4	11022-05250	*BOLT SPW	6
5	01610-05080	*WASHER	1
6	72430-14200	HANDLE SUB ASSEMBLY	1
7	22421-14230	*GRIP	1
8	72430-14270	*CAP	1
9	72480-16113	GUARD	1
10	72441-16130	LOWER CLAMP	1
11	11202-40100	SCREW HILO 4X10	1
12	72480-16210	UPPER CLAMP	1
13	72441-16220	SPACER	2
14	11022-05450	BOLT SPW	4
15	01500-06051	NUT	1
16	01613-06100	WASHER	1
17	11022-06400	BOLT SPW	1

* Denotes item is part of an assembly ** Denotes item is part of a sub-assembly

PULLER ASSEMBLY / ROD BUSHING

ILLUSTRATION 12 - REV 11/02

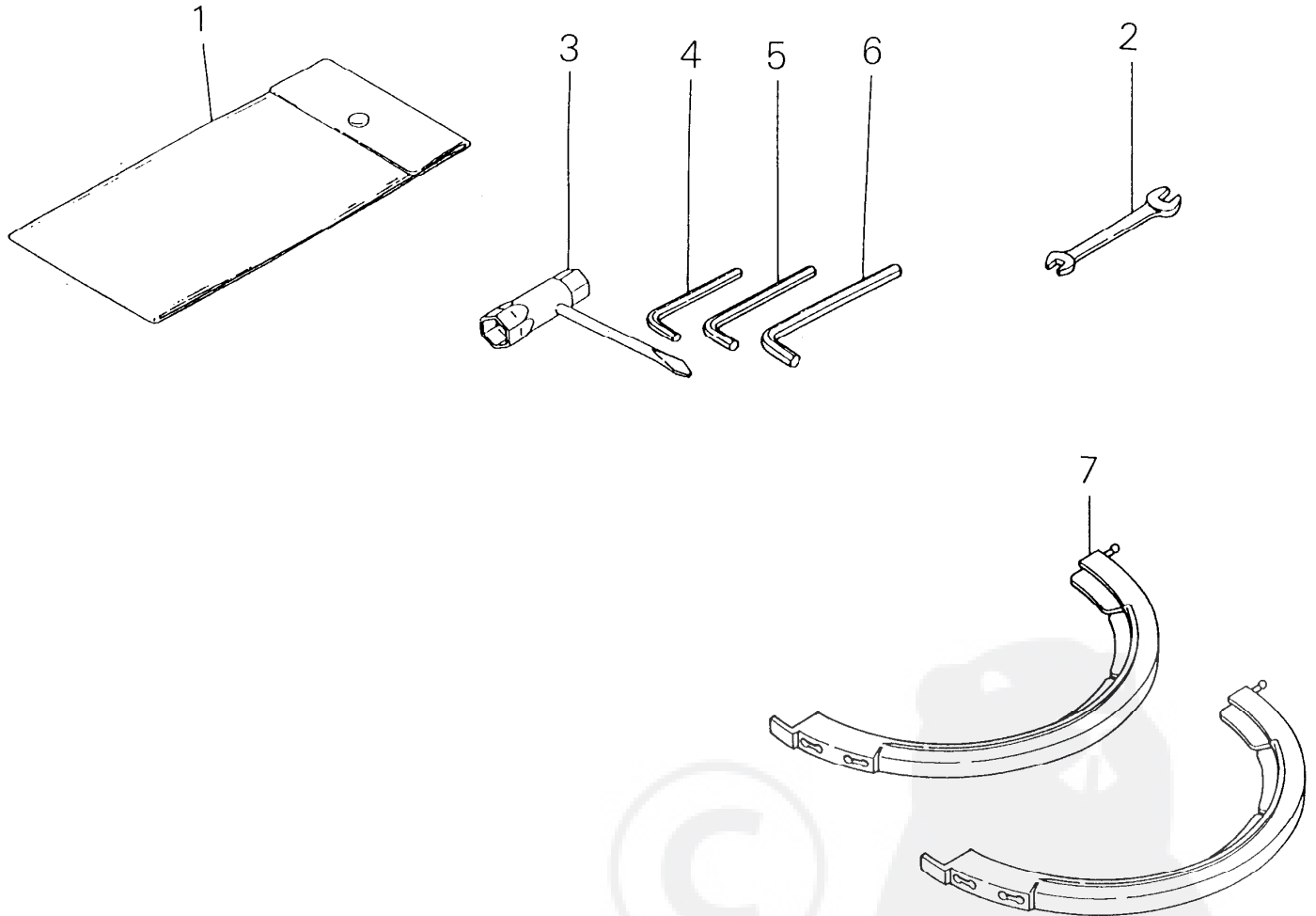


Ref. No	Part No.	Part Name	Q'ty
12-	20000-96104	PULLER ASSEMBLY	1
1	20000-96114	*LEVER	1
2	22100-96121	*CENTER BOLT	1
3	20000-96130	*BOLT	3
4	20000-96140	*BOLT	2
5	20000-96210	AIR GAP GAUGE	1
6	20000-96411	ROTOR SPANNER	1
7	20021-96420	STOPPER	2
	20021-96601	PULLER ASSEMBLY	1
8	20021-96611	*PULLER	1
9	20021-96621	*BOLT	1
10	20000-96631	*GUIDE PIN	1
11	20035-96630	*GUIDE PIN	1
12	20021-96630	GUIDE PIN	1
13	20000-96640	BOSS	1

Ref. No	Part No.	Part Name	Q'ty
14	01211-06120	SCREW SW	2
15	20021-96650	PIN ADAPTER	1
16	20021-96660	PIN ADAPTER	1
17	20021-96670	PIN ADAPTER	1
18	22000-96101	ROD BUSHING ASSEMBLY	1
19	22000-96210	ROD 6000DDU	1
20	22000-96310	ROD 6000ZZ	1
21	22000-96410	ROD 6201	1
	22000-96501	PULLER ASSEMBLY	1
22	22000-96510	*HOLDER	1
23	22000-96521	*BOLT	1
	22000-96600	PULLER SUB ASSEMBLY	1
24	22000-96610	*HOLDER	1
25	22000-96621	*BOLT	1
26	22000-96630	*NUT	1

TOOL SET

ILLUSTRATION 10 - REV 11/02



Ref. No	Part No.	Part Name	Q'ty
10-	72512-91000	TOOLSET	1
1	19610-02100	*TOOLBAG	1
2	22000-91120	*SPANNER	1
3	22000-91181	*PLUG WRENCH	1
4	09026-03001	*HEX A WRENCH	1
5	09026-04001	*HEX A WRENCH	1
6	09026-05001	*HEX A WRENCH	1
7	19601-00300	BLADE COVER	1

* Denotes item is part of an assembly ** Denotes item is part of a sub-assembly



shindaiwa

www.shindaiwa.com

11975 SW Herman Road, Tualatin, Oregon 97062, U.S.A.

1 + 503.692.3070 • fax 1 + 503.692.6696 •

Item #xxxx Effective 11/02