

Shindaiwa Illustrated Parts List

BP45 EC1 Brushcutter

CYLINDER.....	2
CRANKCASE.....	3
PISTON.....	4
ROTOR.....	5
RECOIL STARTER SUB-ASSEMBLY.....	6
CARBURETOR.....	7
FUEL TANK ASSEMBLY.....	8
OUTER PIPE /THROTTLE LEVER.....	9
GEAR CASE ASSEMBLY.....	10
HANDLE.....	11
GUARD SET.....	12
CONNECTOR.....	13
TOOL SET.....	13

www.shindaiwa.com

11975 SW Herman Road

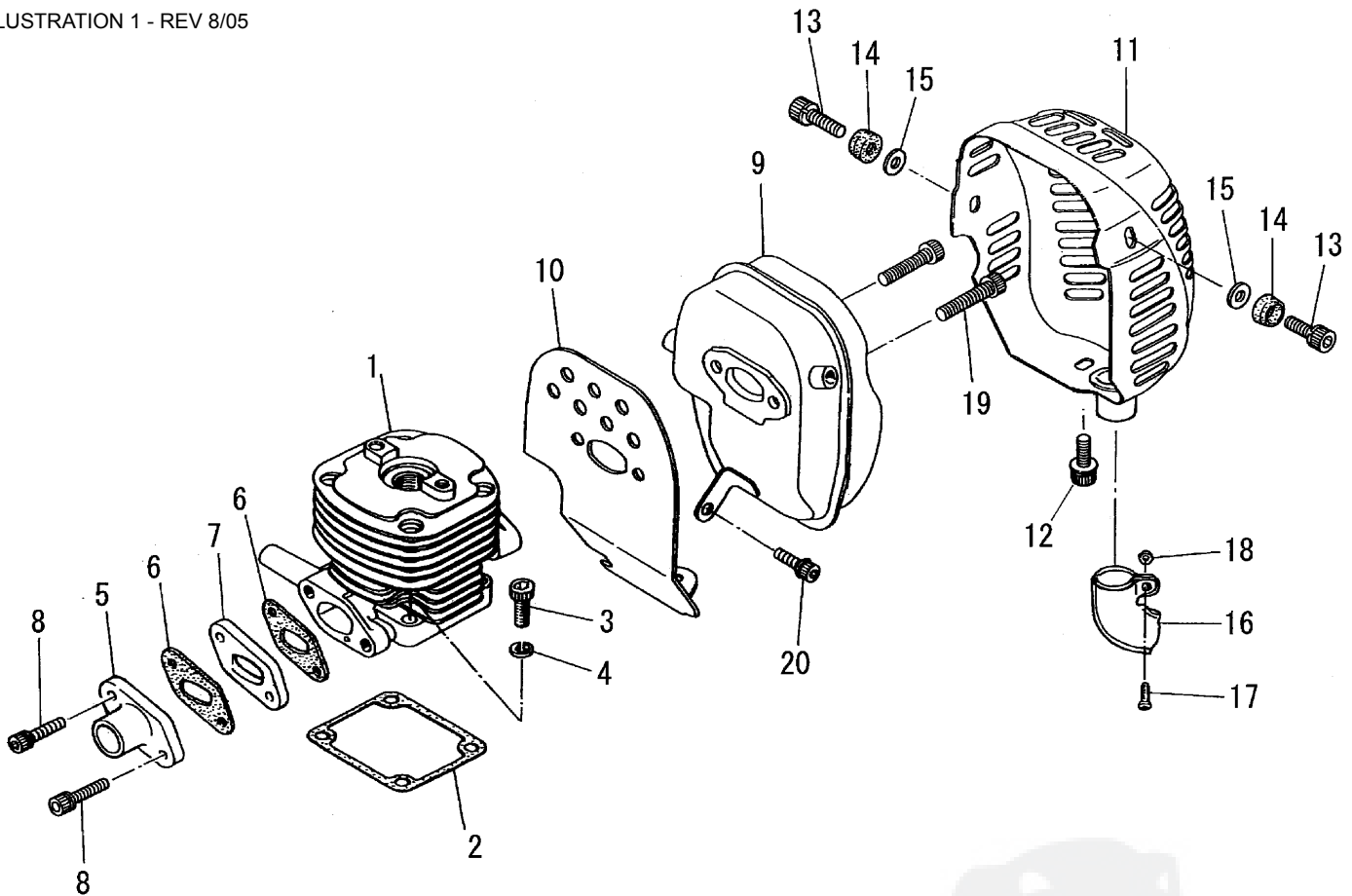
Tualatin, Oregon 97062, U.S.A.

1 + 503.692.3070 • fax 1 + 503.692.6696 •

shindaiwa

CYLINDER

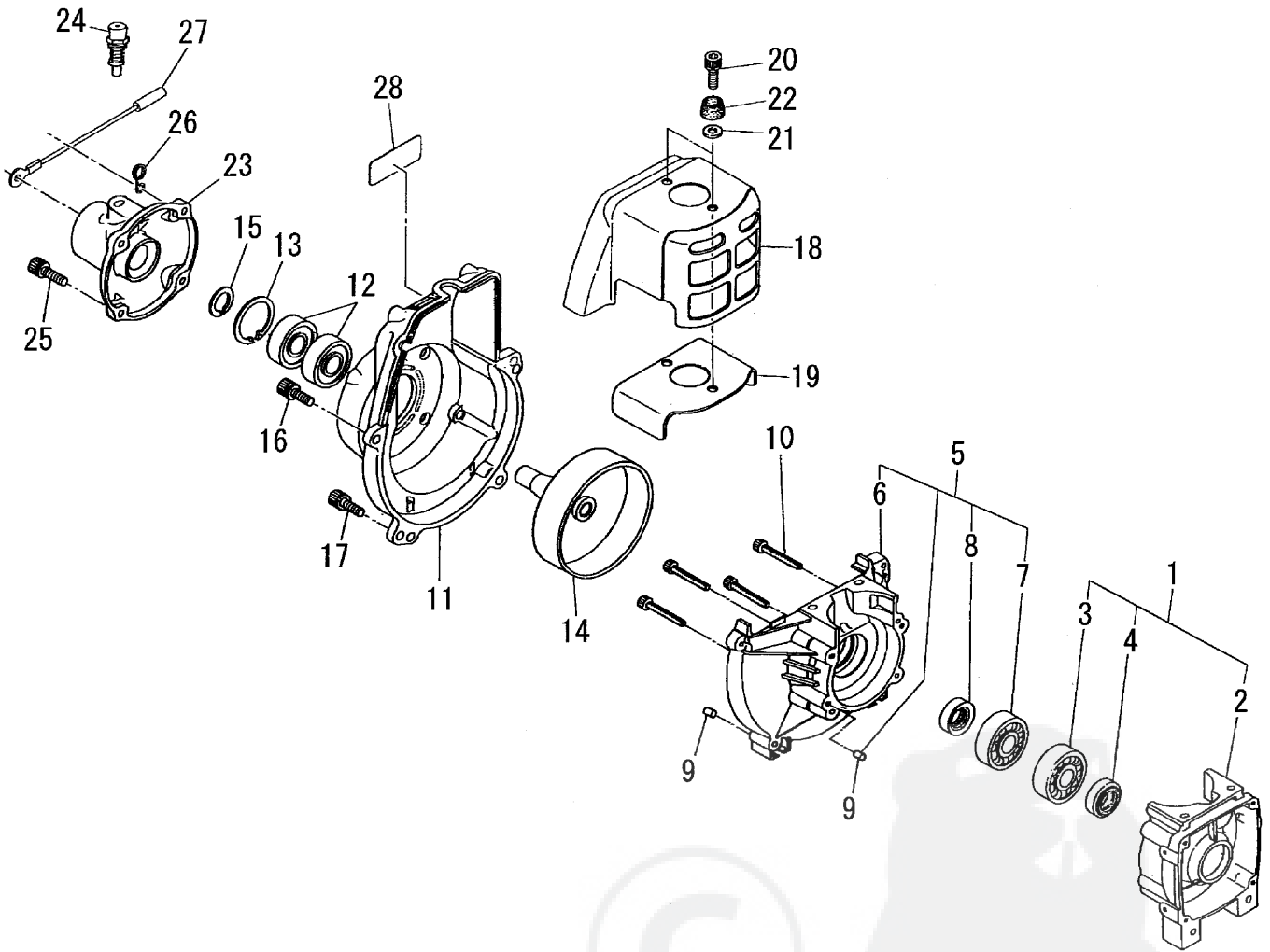
ILLUSTRATION 1 - REV 8/05



Ref. No	Part No.	Part Name	Q'ty
1-1	70198-12110	CYLINDER	1
2	20010-12121	GASKET CYLINDER	1
3	01020-05250	BOLT	4
4	01600-05131	SPRING WASHER	4
5	20051-12211	INLET PIPE	1
6	20051-12221	GASKET INSULATOR	2
7	20051-12230	INSULATOR	1
8	11022-05250	BOLT SPW	2
9	70199-15110	MUFFLER	1
10	70210-15212	GASKET	1
11	70199-15312	MUFFLER GUARD	1
12	11024-05100	BOLT SLPW	1
13	11020-05100	BOLT SW	2
14	70196-32160	COVER	2
15	70196-32150	WASHER	2
16	20050-15410	TAILPIPE	1
17	11203-04100	SCREW PM	1
18	01500-04031	NUT	1
19	01020-06250	BOLT	2
20	11024-05120	BOLT SLPW	1

CRANKCASE

ILLUSTRATION 2 - REV 8/05



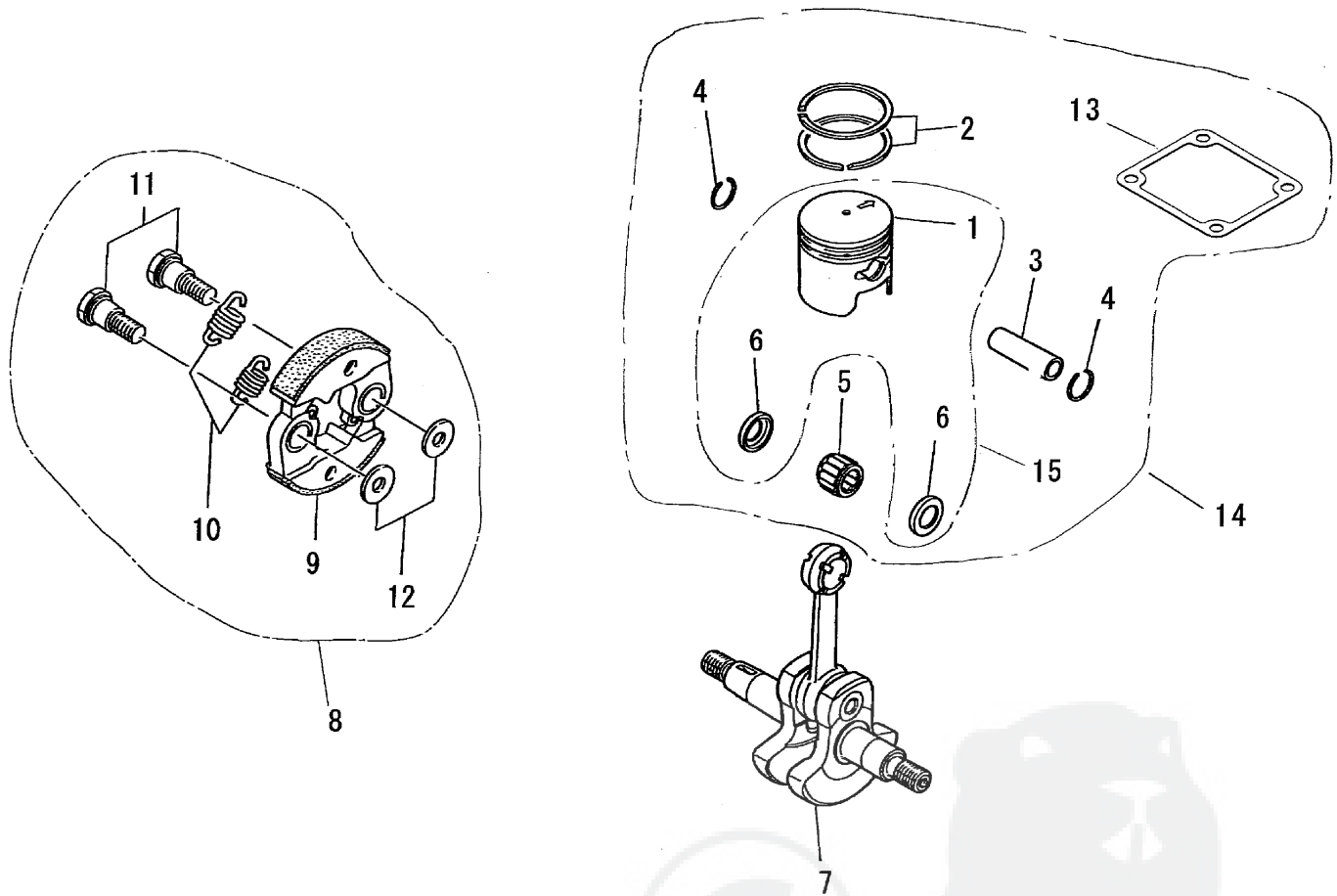
Ref. No	Part No.	Part Name	Q'ty
2-1	20051-21100	CRANKCASE S COMP	1
2	20051-21110	*CRANKCASE S	1
3	12900-62020	*BEARING	1
4	20010-21211	*OIL SEAL	1
5	20051-21200	CRANKCASE M COMP	1
6	70012-21121	*CRANKCASE M	1
7	12900-62020	*BEARING	1
8	20010-21211	*OIL SEAL	1
9	12492-50100	*DOWEL PIN	4
10	01020-05300	BOLT	4
11	70012-31111	FAN COVER	1
12	02006-06002	BEARING	2
13	02432-32120	SNAP RING	1
14	20050-31210	CLUTCH DRUM	1

Ref. No	Part No.	Part Name	Q'ty
15	20011-31230	SNAP RING	1
16	11022-05200	BOLT SPW	2
17	11022-05350	BOLT SPW	2
18	70196-32110	CYLINDER COVER	1
19	70196-32141	GASKET	1
20	11020-05140	BOLT SW	2
21	70196-32150	WASHER	2
22	70196-32160	COVER	2
23	20051-35130	JOINT CASE	1
24	20112-35200	PIN COMP	1
25	11022-05200	BOLT SPW	4
26	20024-83152	CABLE HOLDER	1
27	70056-83140	EARTH CORD B	1
28	70112-31150	NAMEPLATE	1

* Denotes item is part of an assembly ** Denotes item is part of a sub-assembly

PISTON

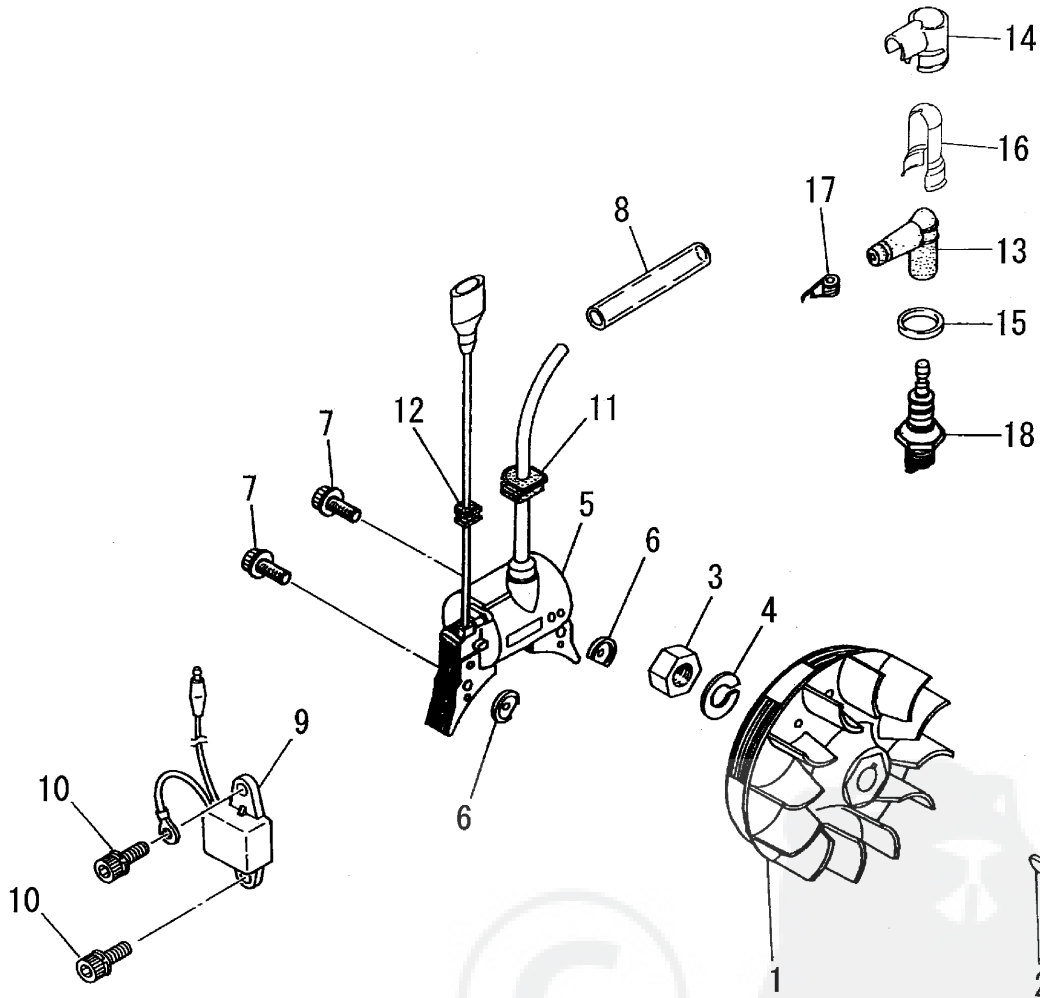
ILLUSTRATION 3 - REV 8/05



Ref. No	Part No.	Part Name	Q'ty
3-14	72080-98011	PISTON SET	1
15	72080-98310	*PISTON SET	1
1	20021-41113	**PISTON	1
6	20021-41342	**THRUST WASHER	2
2	20021-41210	*PISTON RING	2
3	20021-41311	*PISTON PIN	1
4	22152-41231	*SNAP RING	2
5	20021-41330	*BEARING SE	1
13	20010-12121	*GASKET CYLINDER	1
7	20021-42002	CRANKSHAFT ASSEMBLY	1
8	20050-51102	CLUTCH SHOE ASSEMBLY	1
9	20050-51111	*CLUTCH SHOE	2
10	20050-51121	*CLUTCH SPRING	2
11	20010-51130	CLUTCH BOLT	2
12	20010-51141	WASHER	2

ROTOR

ILLUSTRATION 4 - REV 8/05



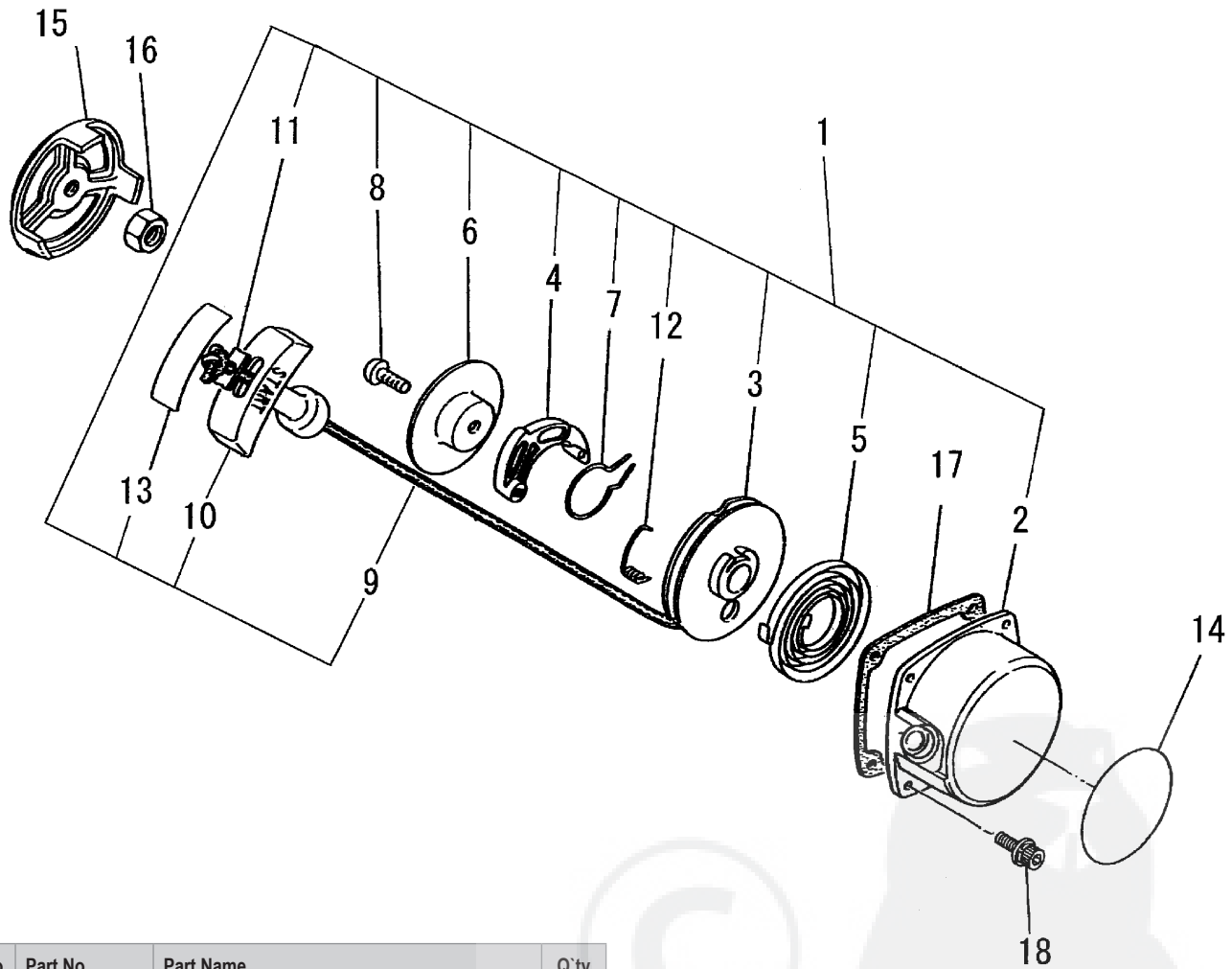
Ref. No	Part No.	Part Name	Q'ty
4-1	20010-71201	ROTOR	1
2	02403-03100	KEY	1
3	01511-10061	NUT	1
4	01600-10251	SPRING WASHER	1
5	20011-71611	COIL	1
6	20010-71631	SPACER COIL	2
7	11024-04261	BOLT SLPW	2
8	20011-71660	TUBE	1
9	72920-71711	UNIT	1

Ref. No	Part No.	Part Name	Q'ty
10	11024-04120	BOLT SPW	2
11	20011-72110	GROMMET	1
12	20011-72120	GROMMET	1
13	20010-72221	PLUG CAP	1
14	20000-72241	PLUG CAP COVER	1
15	20000-72250	COVER BAND	1
16	70180-72260	SHIELD	1
17	20000-72230	SPRING SPARKPLUG	1
18	13000-13406	SPARKPLUG BMR6A	1

* Denotes item is part of an assembly ** Denotes item is part of a sub-assembly

RECOIL STARTER SUB-ASSEMBLY

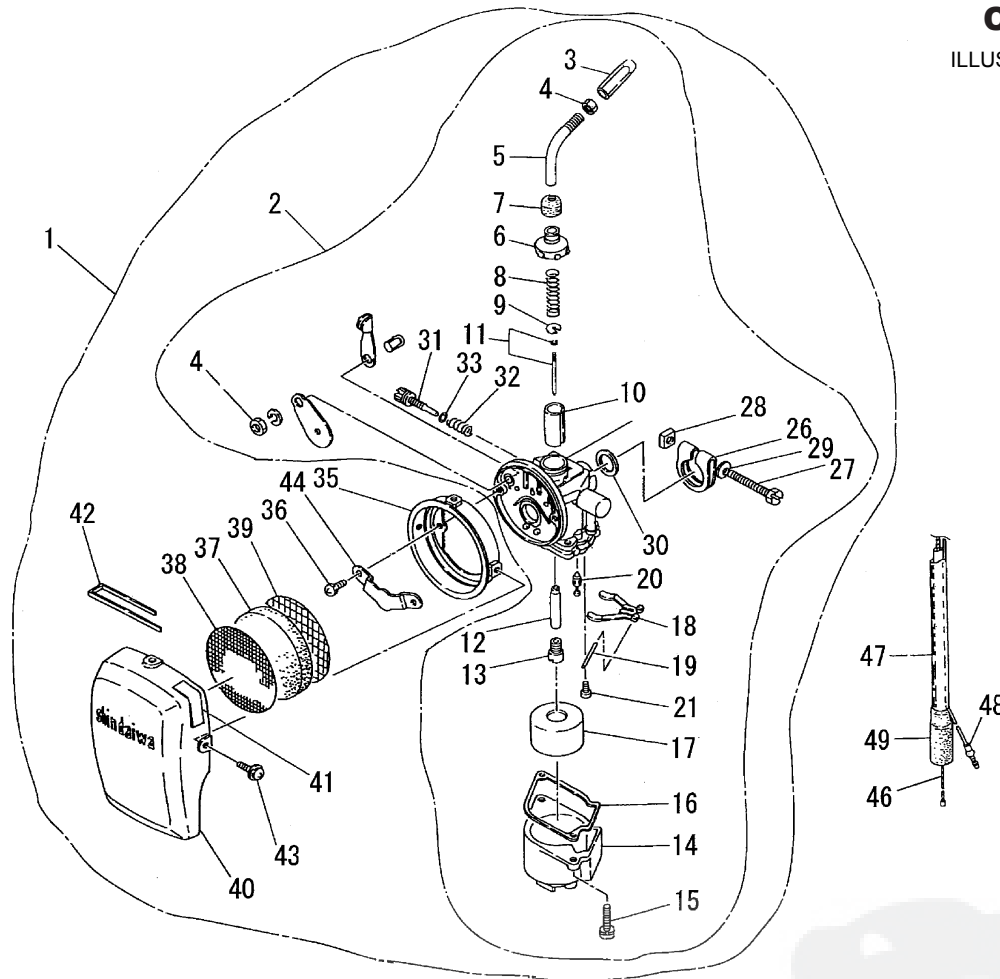
ILLUSTRATION 5 - REV 8/05



Ref. No	Part No.	Part Name	Q'ty
5-1	70020-75100	RECOIL STARTER SUB ASSEMBLY	1
2	70020-75110	*STARTER CASE	1
3	20020-75120	*REEL	1
4	20000-75130	*RATCHET	1
5	20020-75140	*RECOIL SPRING	1
6	20000-75150	*PLATE FRICTION	1
7	20000-75160	*SPRING FRICTION	1
8	20000-75170	*SCREW	1
9	20020-75180	*ROPE	1
10	20010-75190	*STARTER KNOB	1
11	20010-75210	*STOPPER	1
12	20000-75220	*RETURN SPRING	1
13	20010-75230	*TAPE	1
14	70020-75240	NAMEPLATE	1
15	70000-75230	STARTER PULLEY	1
16	20000-76210	NUT	1
17	20020-76111	GASKET STARTER	1
18	11022-04160	BOLT SPW	4

CARBURETOR

ILLUSTRATION 6 - REV 8/05



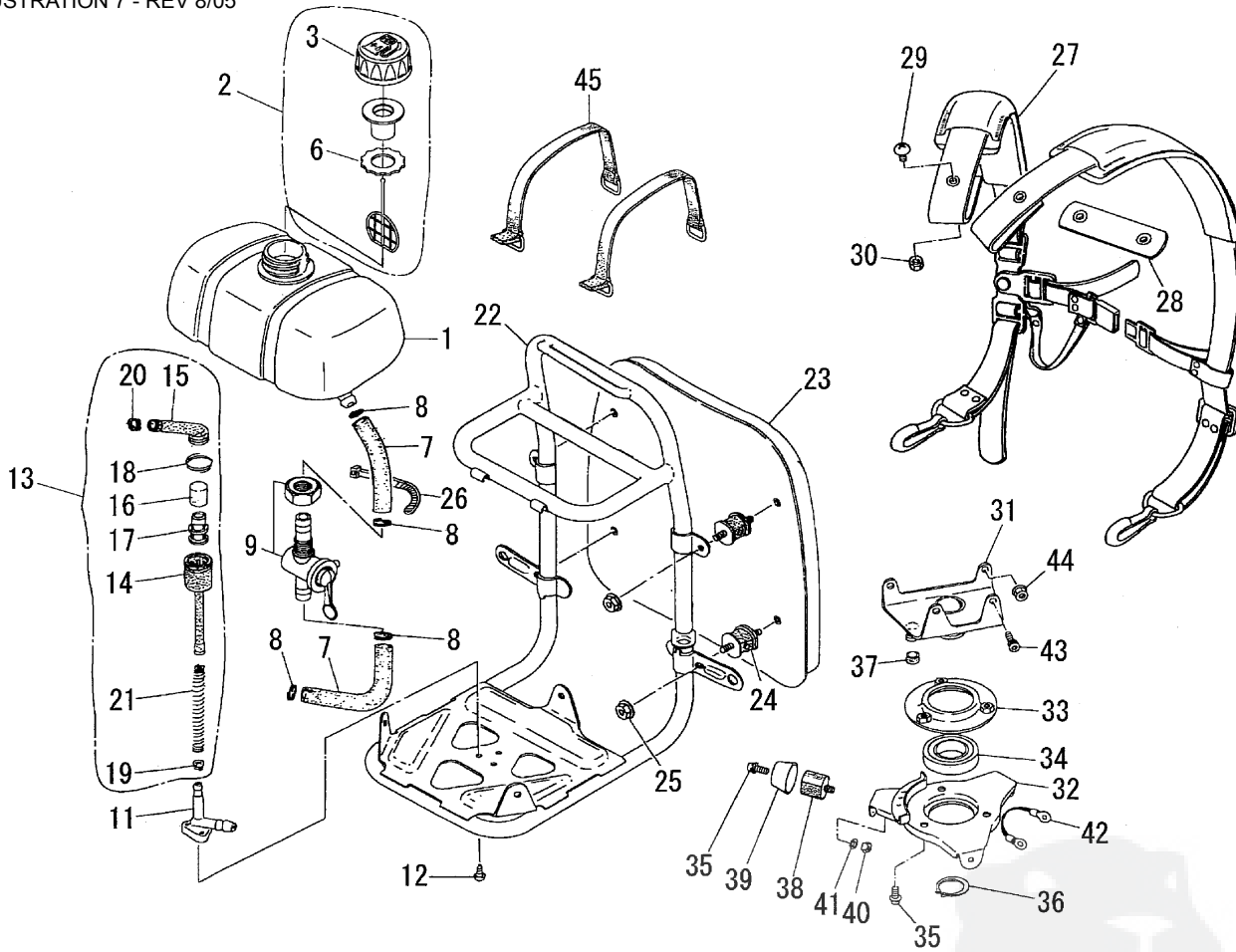
Ref. No	Part No.	Part Name	Q'ty
6-1	62106-81010	CARBURETOR ASSEMBLY	1
2	62106-81310	*CARBURETOR BODY ASSEMBLY	1
3	20055-81810	**CABLE ADJUSTER	1
4	20000-81260	**LOCKNUT	2
5	20055-81830	**ADJUST PIPE	1
6	20055-81120	**BODY CAP	1
7	20055-81130	**CAP	1
8	20003-81140	**THROTTLE SPRING	1
9	20000-81150	**SPRING RECEIVE	1
10	70112-81180	**THROTTLE VALVE	1
11	62106-81330	**JET NEEDLE	1
12	20055-81232	**NEEDLE JET	1
13	20045-81240	**MAINJET	1
14	20051-81311	**FLOAT CHAMBER	1
15	20014-81320	**SCREW	2
16	68503-81360	**PACKING	1
17	20014-81340	**FLOAT	1
18	20014-81350	**FLOAT HINGE	1
19	20014-81360	**HINGE PIN	1
20	20014-81381	**NEEDLE VALVE	1
21	20014-81390	**SCREW	1
26	20014-81510	**BAND	1

Ref. No	Part No.	Part Name	Q'ty
27	20014-81521	**BAND BOLT	1
28	20014-81530	**NUT	1
29	20014-81540	**WASHER	1
30	20010-81570	**FLANGE PACKING	1
31	20014-81810	**SLOW STOP SCREW	1
32	20010-81820	**ADJUST SPRING	1
33	20014-81830	**O-RING	1
35	20010-81711	*CLEANER BODY	1
36	20000-81730	*SCREW	2
37	20000-81740	*FILTER	1
38	20000-81750	*NET A	1
39	20010-81760	*NET B	1
40	20010-81771	*CLEANER COVER	1
41	19404-00008	*LABEL CHOKE	1
42	20010-81781	*SPRING NET	1
43	20000-81735	*SCREW	3
44	20014-81790	*PLATE	1
46	70056-83200	THROTTLE CABLE B	1
47	20020-83120	PIPE	1
48	70056-83130	EARTH CORD A	1
49	20005-83160	CABLE CAP	1

* Denotes item is part of an assembly ** Denotes item is part of a sub-assembly

FUEL TANK ASSEMBLY

ILLUSTRATION 7 - REV 8/05

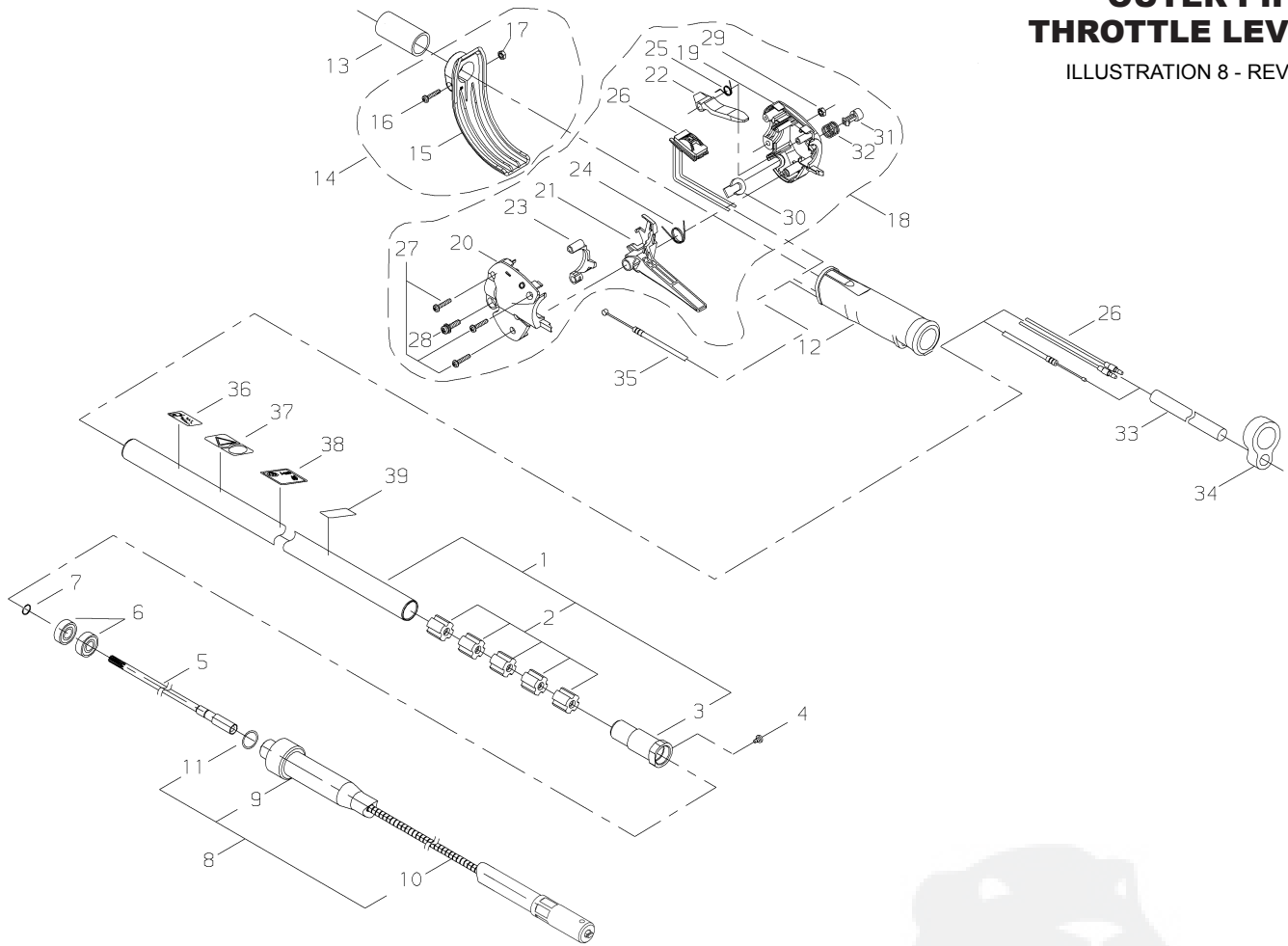


Ref. No	Part No.	Part Name	Q'ty
7-1	20051-85110	FUEL TANK	1
2	70199-85202	FUEL CAP ASSEMBLY	1
3	20040-85211	*FUEL CAP	1
6	20040-85220	*PACKING	1
7	70051-85410	FUEL PIPE	2
8	20051-85420	CLIP	4
9	20051-85300	FUEL COCK ASSEMBLY	1
11	20050-85461	ELBOW	1
12	11202-40100	SCREW HILO 4X10	3
13	70051-85502	FILTER SUB ASSEMBLY	1
14	20051-85510	*FUEL PIPE	1
15	70051-85521	*FUEL PIPE A	1
16	20051-85540	*FILTER A	1
17	20051-85531	*FILTER	1
18	20050-85580	*CLIP	1
19	20050-85560	*CLIP	1
20	20051-85570	*CLIP A	1
21	20051-85590	*SPRING	1
22	20051-86112	FRAME	1
23	20051-86120	PAD	1
24	20051-86160	CUSHION18K	4

Ref. No	Part No.	Part Name	Q'ty
25	11526-05112	FLANGE NUT	4
26	20000-83150	CLAMP	1
27	70199-86200	BAND ASSEMBLY	1
28	20051-86320	JOINT BAND	1
29	01215-06140	SCREW TRUSS	2
30	22011-97840	LOCKNUT	2
31	20050-87110	BRACKET A	1
32	20050-87120	BRACKET B	1
33	20050-87131	RETAINER	1
34	02002-06005	BEARING	1
35	11206-05100	SCREW PMSPW	6
36	02430-25120	SNAP RING	1
37	20050-87150	STOP CUSHION	1
38	20050-87160	CUSHION	3
39	20050-87170	MOUNT HOLDER	3
40	01500-05041	NUT	3
41	01600-05131	SPRING WASHER	3
42	20051-87210	EARTH CORD	1
43	11020-05120	BOLT SW	2
44	11526-05112	FLANGE NUT	4
45	20020-86140	BAND	2

OUTER PIPE / THROTTLE LEVER

ILLUSTRATION 8 - REV 8/05



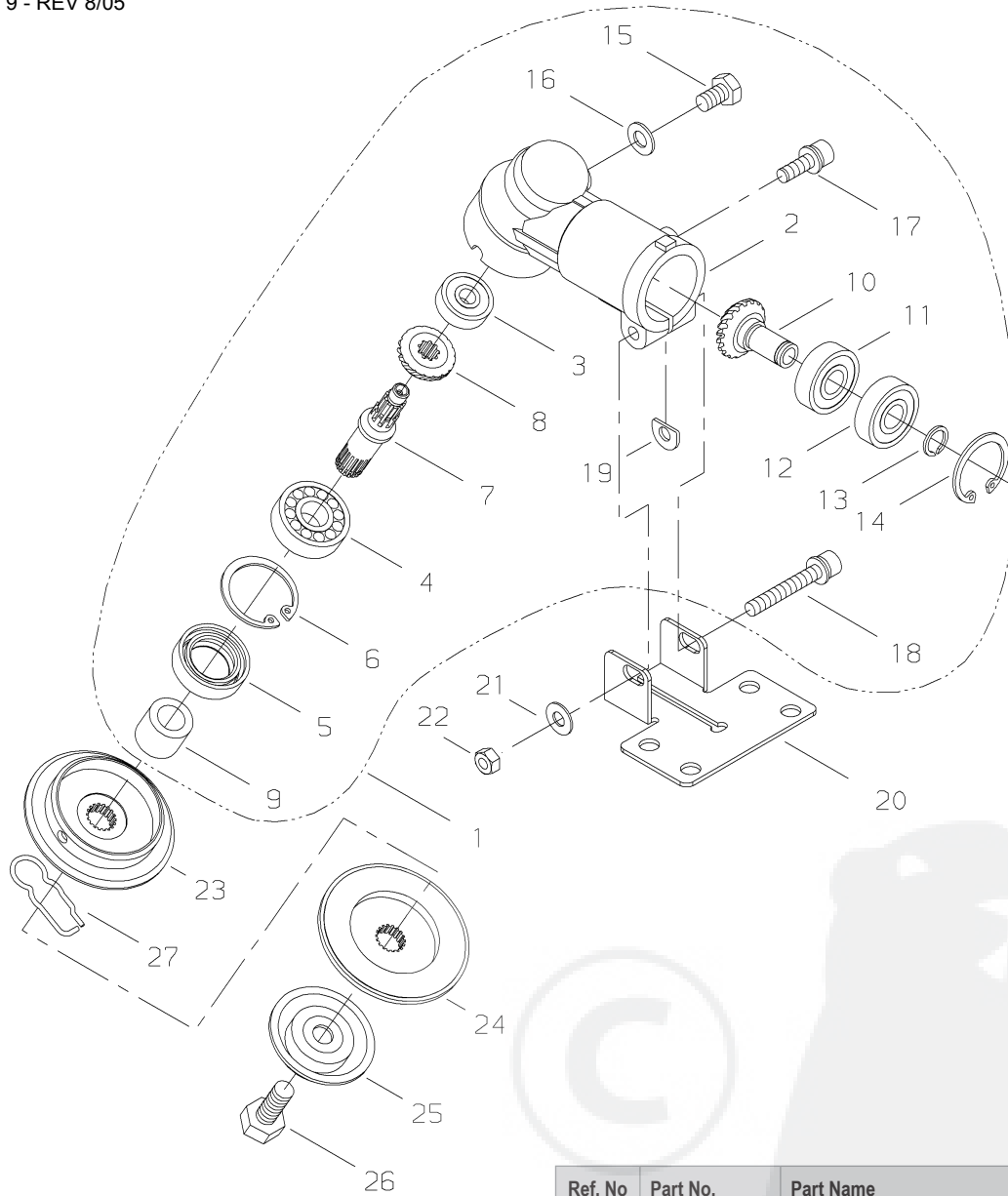
Ref. No	Part No.	Part Name	Q'ty
8-1	72517-12100	OUTER PIPE SUB ASSEMBLY	1
2	22000-12120	*BUSHING	5
3	72517-12130	*JOINT PIPE	1
4	22056-12340	SCREW	1
5	72517-12410	MAIN SHAFT	1
6	02002-06900	BEARING	2
7	02430-10100	SNAP RING	1
8	72517-61010	FLEXIBLE ASSEMBLY	1
9	72517-61110	*FLEXIBLE PIPE	1
10	72517-11121	*FLEXIBLE SHAFT	1
11	22056-11140	*O-RING	1
12	63043-62140	GRIP	1
13	63000-62311	PROTECTOR	1
14	72517-62331	GUARD ASSEMBLY	1
15	72517-62341	*GUARD	1
16	11206-05250	*SCREW PMSPW	1
17	01500-05041	*NUT	1
18	72517-62310	THROTTLE LEVER ASSEMBLY	1
19	63000-62340	*BODY RIGHT	1

Ref. No	Part No.	Part Name	Q'ty
20	63000-62350	*BODY LEFT	1
21	63002-62340	*LEVER	1
22	63901-62352	*LOCK LEVER	1
23	63002-62350	*HOLDER	1
24	63880-65350	*COIL SPRING	1
25	63901-62370	*COIL SPRING	1
26	72517-62350	*SWITCH	1
27	63880-65360	*SCREW TAPPING	3
28	11206-05201	*SCREW PMSPW	1
29	01501-05030	*NUT	1
30	63880-65411	*PLUG	1
31	70871-65170	*BUTTON	1
32	70871-65180	*COIL SPRING	1
33	72517-62320	PIPE	1
34	20079-83140	CABLE HOLDER	1
35	72517-62170	THROTTLE CABLE	1
36	19402-00223	LABEL CAUTION	1
37	19422-00010	LABEL CAUTION	1
38	19404-00035	LABEL DECIBEL	1
39	72017-12150	HANDLE LABEL	1

* Denotes item is part of an assembly ** Denotes item is part of a sub-assembly

GEAR CASE ASSEMBLY

ILLUSTRATION 9 - REV 8/05

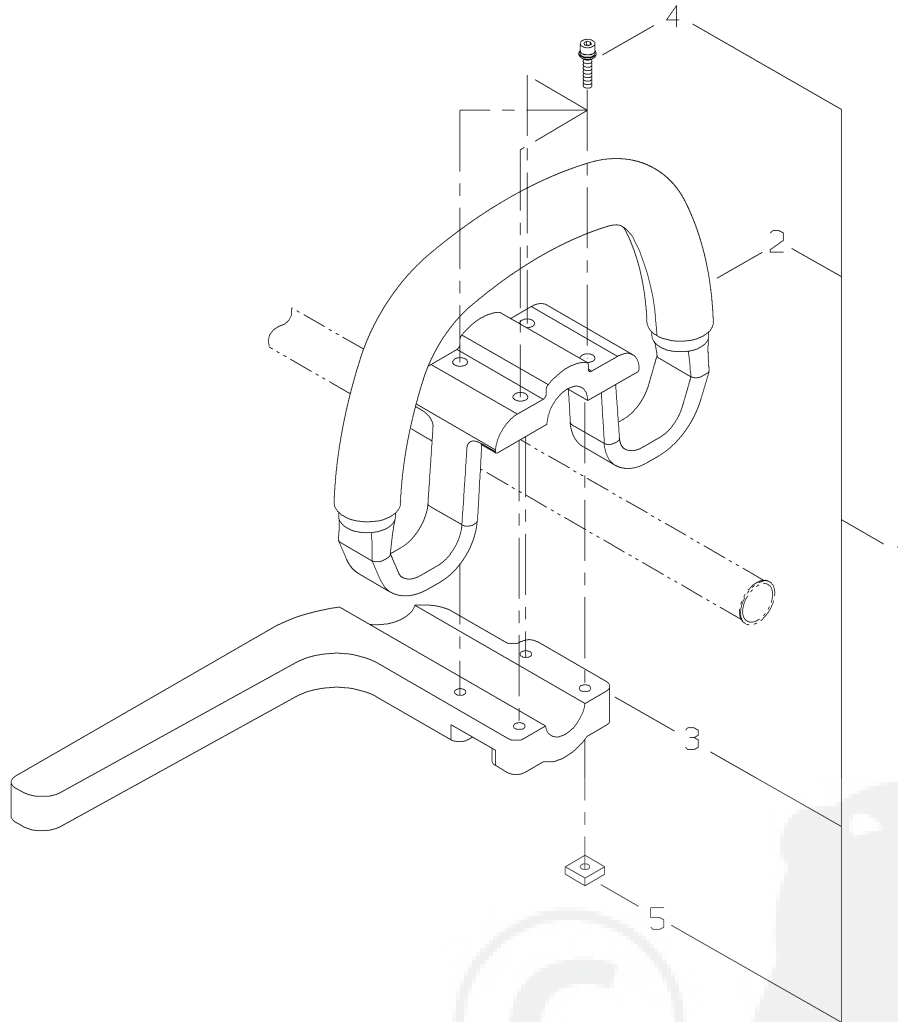


Ref. No	Part No.	Part Name	Q'ty
9-1	63000-63020	GEAR CASE COMP	1
2	22024-13112	*GEAR CASE	1
3	02046-00609	*BEARING	1
4	02000-06201	*BEARING	1
5	22024-13121	*OIL SEAL	1
6	02432-32120	*SNAP RING	1
7	72435-13210	*GEAR SHAFT	1
8	22024-13220	*BEVEL GEAR	1
9	22000-13230	*COLLAR	1
10	22024-13391	*PINION SET	1
11	02000-06901	*BEARING	1
12	02002-06901	*BEARING	1

Ref. No	Part No.	Part Name	Q'ty
13	20000-31140	*SNAP RING	1
14	02432-24120	*SNAP RING	1
15	22015-13410	*BOLT	1
16	22015-13420	*GASKET	1
17	11022-05160	*BOLT SPW	1
18	11022-06400	*BOLT SPW	1
19	22011-13450	*SHIM	1
20	72441-16130	LOWER CLAMP	1
21	01613-06100	WASHER	1
22	01500-06051	NUT	1
23	22024-13912	HOLDER A	1
24	63000-63170	HOLDER	1
25	22024-13291	BOLT GUARD	1
26	22000-13512	BOLT	1
27	22000-13530	SLIDE PIN	1

HANDLE

ILLUSTRATION 10 - REV 8/05

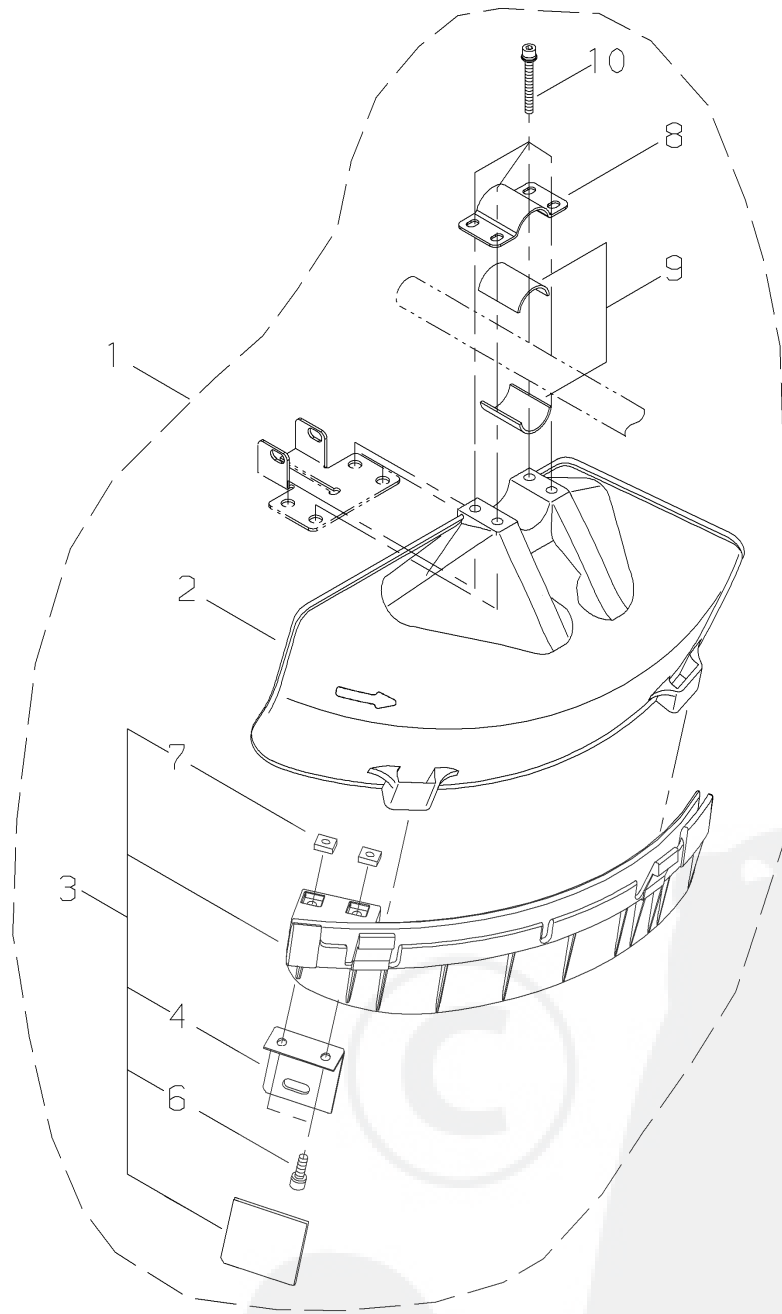


Ref. No	Part No.	Part Name	Q'ty
10- 1	60904-98310	HANDLE ASSEMBLY	1
2	62901-64113	*HANDLE	1
3	65011-64120	*BARRIER	1
4	11022-05350	*BOLT SPW	4
5	22420-16120	*NUT	4

* Denotes item is part of an assembly ** Denotes item is part of a sub-assembly

GUARD SET

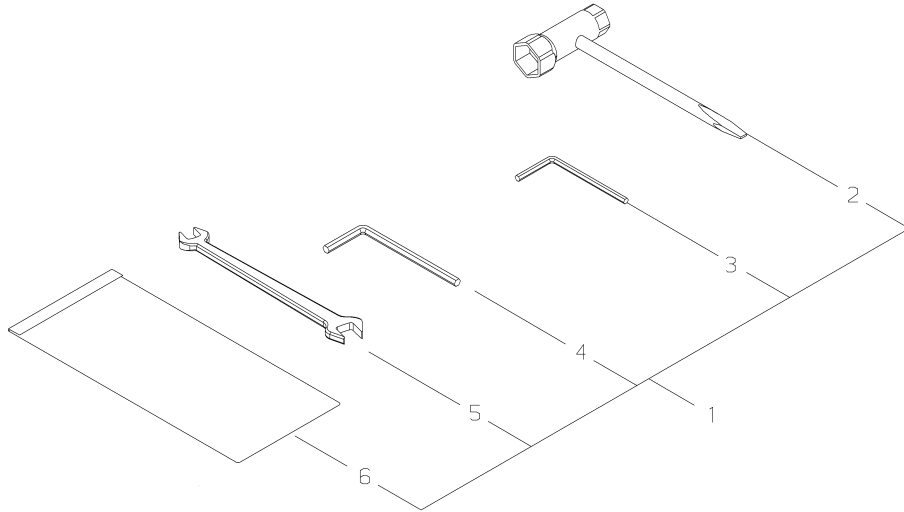
ILLUSTRATION 11 - REV 8/05



Ref. No	Part No.	Part Name	Q'ty
11-1	64000-66310	GUARD SET	1
2	62903-66110	*GUARD	1
3	62903-66331	*SUB GUARD ASSEMBLY	1
4	72480-16121	**CUTTER	1
6	11020-05160	**BOLT SW	2
7	22420-16120	**NUT	2
8	72480-16210	*UPPER CLAMP	1
9	72441-16220	*SPACER	2
10	11022-05450	*BOLT SPW	4

TOOL SET

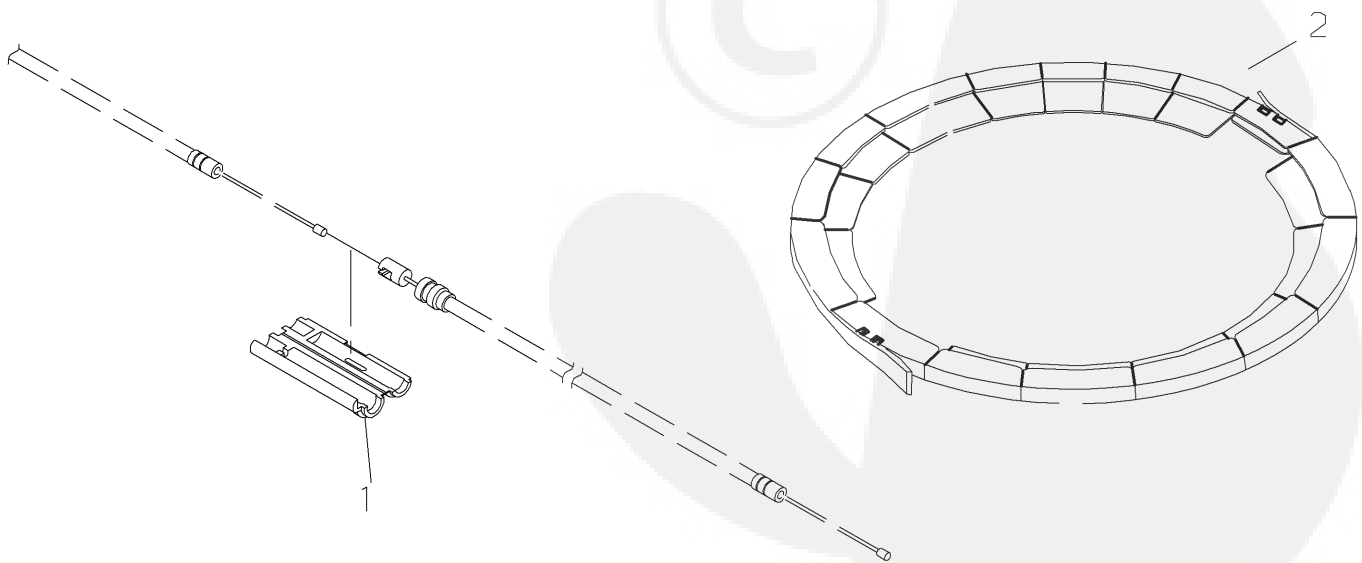
ILLUSTRATION 12 - REV 8/05



Ref. No	Part No.	Part Name	Q'ty
12- 1	64100-92310	TOOL SET	1
2	22000-91181	*PLUG WRENCH	1
3	09026-04001	*HEX WRENCH 5MM	1
4	09026-05001	*HEX WRENCH 6MM	1
5	22000-91120	*SPANNER	1
6	19639-01400	*TOOLBAG	1

CONNECTOR

ILLUSTRATION 13 - REV 8/05



Ref. No	Part No.	Part Name	Q'ty
13- 1	70056-83190	CONNECTOR	1
2	22550-92310	BLADE COVER	1

* Denotes item is part of an assembly ** Denotes item is part of a sub-assembly



shindaiwa

www.shindaiwa.com

11975 SW Herman Road, Tualatin, Oregon 97062, U.S.A.

1 + 503.692.3070 • fax 1 + 503.692.6696 •

Item #xxxx Effective 05/07