

Shindaiwa Illustrated Parts List

C230 CE Brushcutter

CYLINDER / MUFFLER	2
CRANKCASE / FAN COVER / CYLINDER COVER	3
PISTON / CRANKSHAFT / CLUTCH SHOE	4
ROTOR / COIL ASSEMBLY	5
CARBURETOR / CLEANER	6
RECOIL STARTER	7
FUEL TANK	8
OUTER PIPE	9
GEARCASE	10
HANDLE ASSEMBLY / THROTTLE LEVER	11
CUTTER / GUARD / STRAP ASSEMBLY	12
PULLER ASSEMBLY / ROD BUSHING	13
TOOL SET	14

www.shindaiwa.com

11975 SW Herman Road

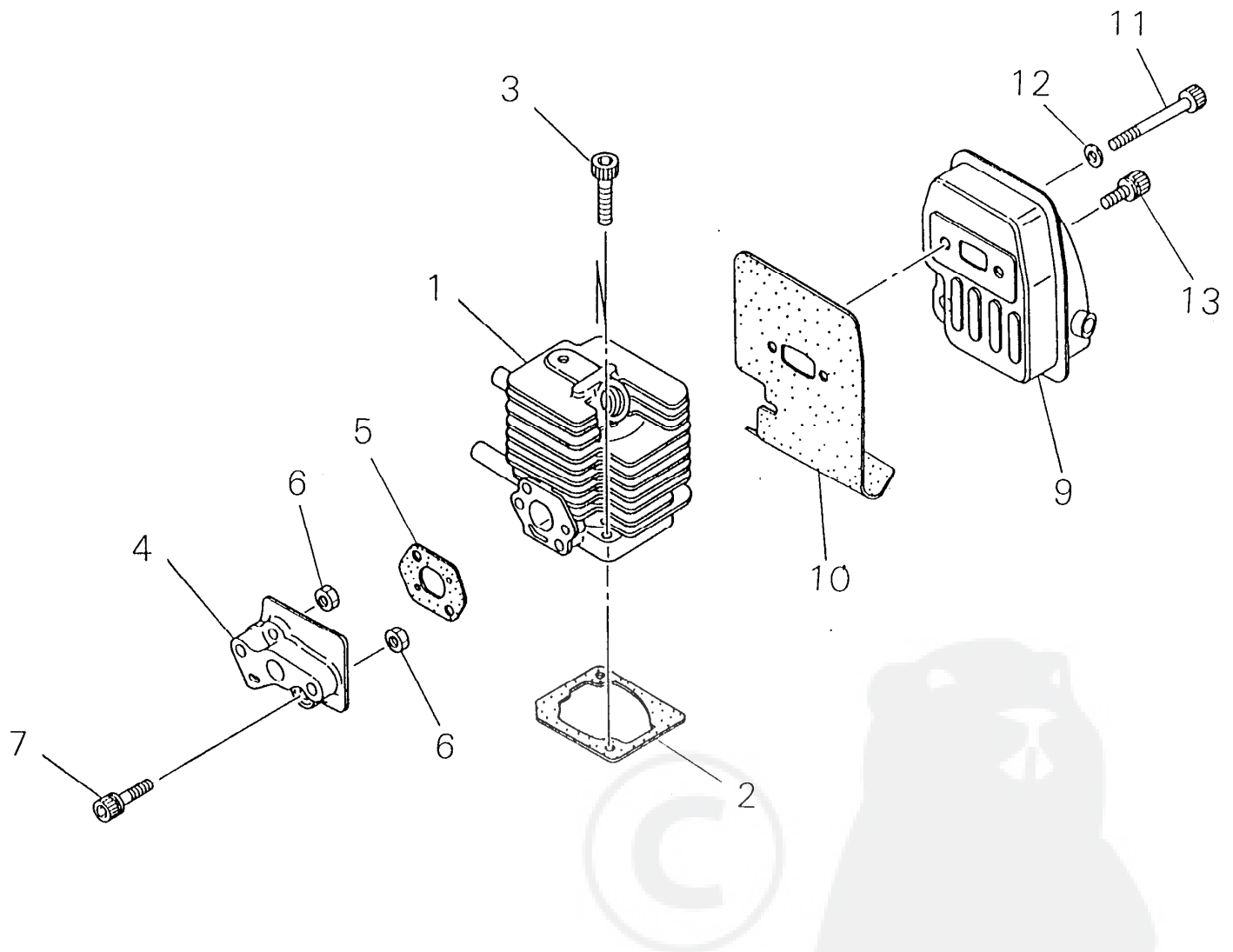
Tualatin, Oregon 97062, U.S.A.

1 + 503.692.3070 • fax 1 + 503.692.6696 •

shindaiwa

CYLINDER / MUFFLER

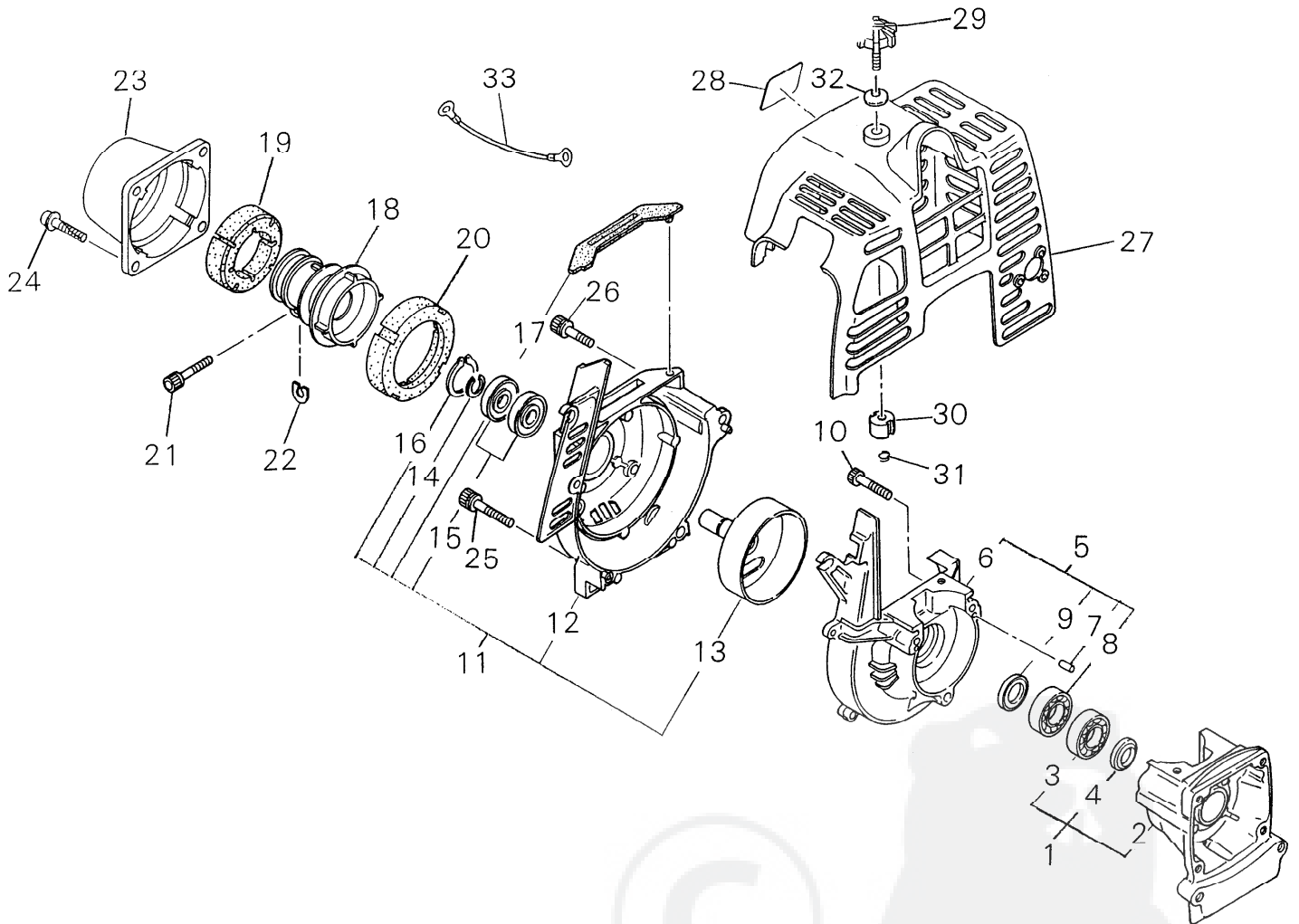
ILLUSTRATION 1 - REV 11/02



Ref. No	Part No.	Part Name	Q'ty
1-1	20016-12112	CYLINDER	1
2	20016-12120	GASKET	1
3	01020-05250	BOLT	2
4	20016-12212	INSULATOR	1
5	20016-12220	GASKET	1
6	01500-05041	NUT	2
7	11022-05300	BOLT SW	2
9	20018-15110	MUFFLER	1
10	20016-15122	GASKET	1
11	01020-05500	BOLT	2
12	01610-05080	WASHER	2
13	01020-05120	BOLT	1

CRANKCASE / FAN COVER / CYLINDER COVER

ILLUSTRATION 2 - REV 11/02



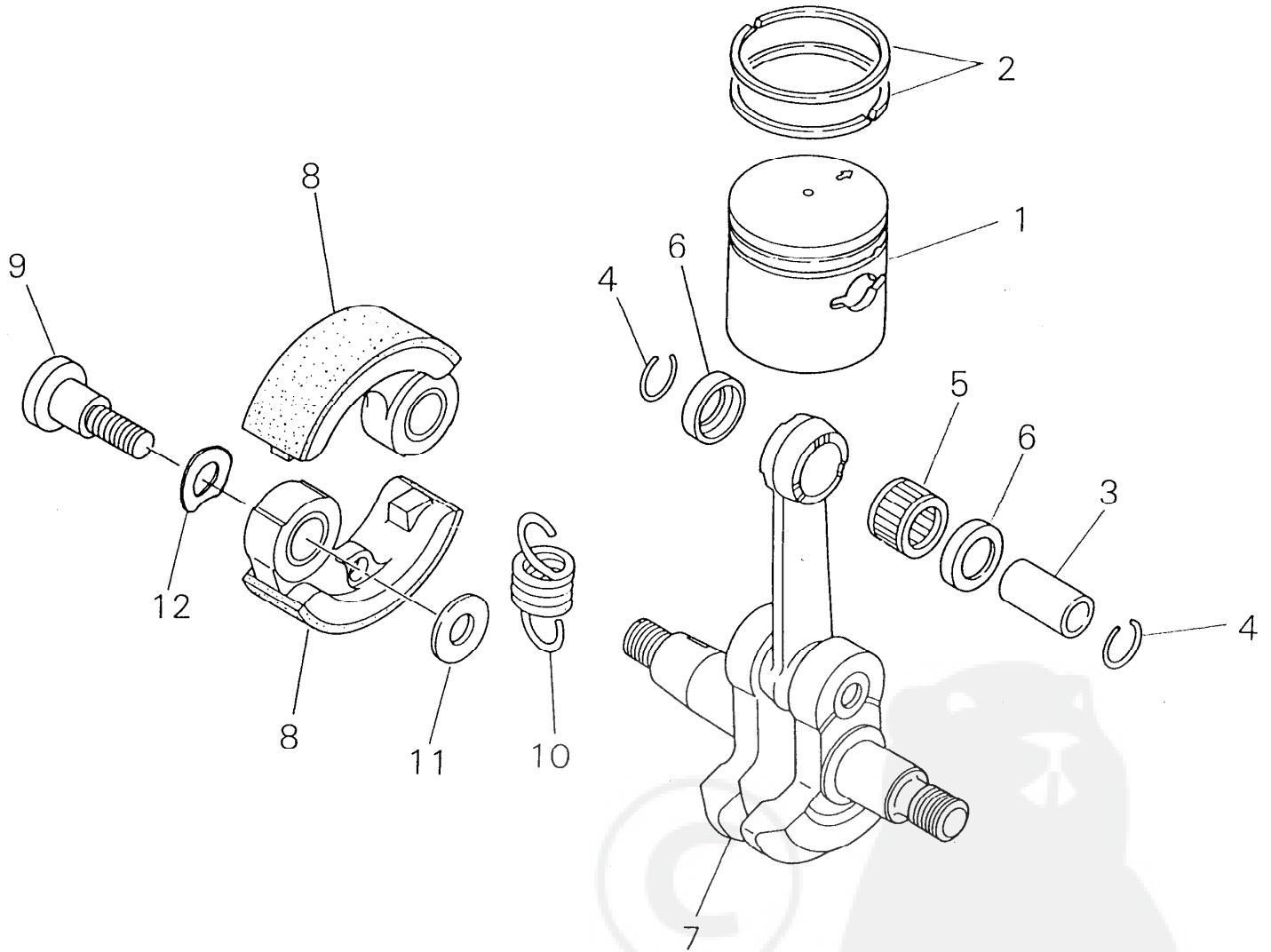
Ref. No	Part No.	Part Name	Q'ty
2-1	20016-21100	CRANKCASE S COMP	1
2	20016-21111	*CRANKCASES	1
3	12900-60010	*BEARING	1
4	22150-21250	*OIL SEAL	1
5	20016-21200	CRANKCASE M COMP	1
6	20016-21120	*CRANKCASE M	1
7	12492-40080	*ROLLER	2
8	12900-60010	*BEARING	1
9	20000-21211	*OIL SEAL	1
10	01020-05250	BOLT	3
11	70140-31103	FAN COVER SUB ASSEMBLY	1
12	70140-31113	*FAN COVER	1
13	20087-31210	*CLUTCH DRUM	1
14	22000-13320	*SNAP RING	1
15	02002-06000	*BEARING	2
16	02432-26120	*SNAP RING	1
17	70140-31130	*CUSHION	1

Ref. No	Part No.	Part Name	Q'ty
18	20018-31410	JOINT	1
19	20018-31420	FRONT CUSHION	1
20	20018-31430	REAR CUSHION	1
21	11023-05250	BOLT SW	1
22	20018-31460	SHIM	1
23	70135-31470	CAP	1
24	11022-05160	BOLT SPW	4
25	11022-05350	BOLT SPW	2
26	11022-05160	BOLT SPW	2
27	70140-32111	CYLINDER COVER	1
28	70192-32120	LABEL TRADE	1
29	20018-31251	KNOB	1
30	20018-31260	INSULATOR	1
31	20018-31270	CLIP	1
32	20024-81790	CONE WASHER	1
33	70192-31510	EARTH CORD	1

* Denotes item is part of an assembly ** Denotes item is part of a sub-assembly

PISTON / CRANKSHAFT / CLUTCH SHOE

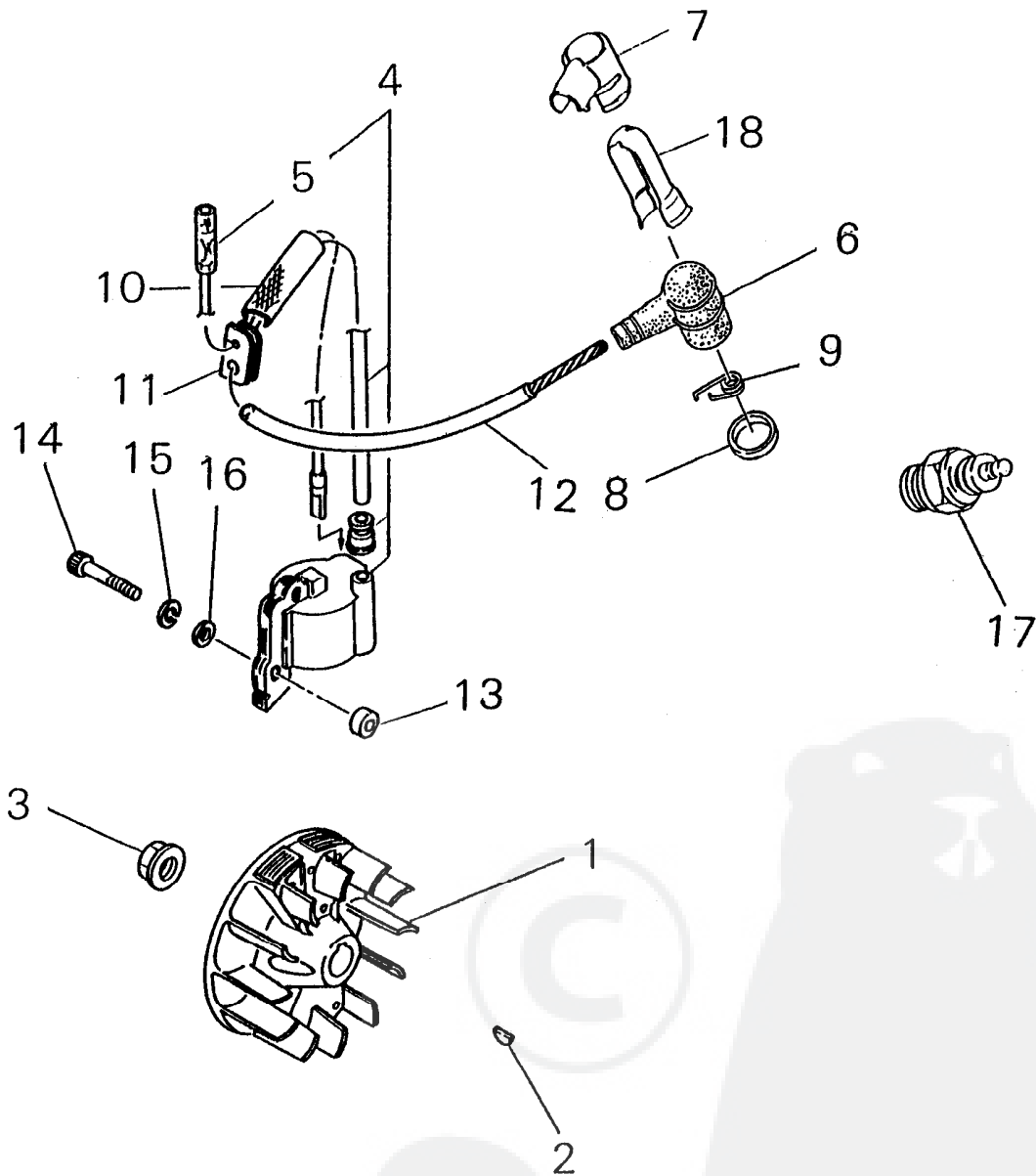
ILLUSTRATION 3 - REV 11/02



Ref. No	Part No.	Part Name	Q'ty
3-1	20075-41110	PISTON	1
2	20000-41210	PISTON RING	2
3	20016-41310	PISTON PIN	1
4	70030-41320	SNAP RING	2
5	20016-41330	NEEDLE BEARING	1
6	20016-41340	THRUST WASHER	2
7	20016-42002	CRANKSHAFT ASSEMBLY	1
	70140-51102	CLUTCH SHOE ASSEMBLY	1
8	70140-51111	*CLUTCH SHOE	2
9	20087-51210	*BOLT	2
10	70140-51220	*CLUTCH SPRING	1
11	22100-71430	*WASHER	2
12	70140-51230	*SPRING PLATE	2

ROTOR / COIL ASSEMBLY

ILLUSTRATION 4 - REV 11/02



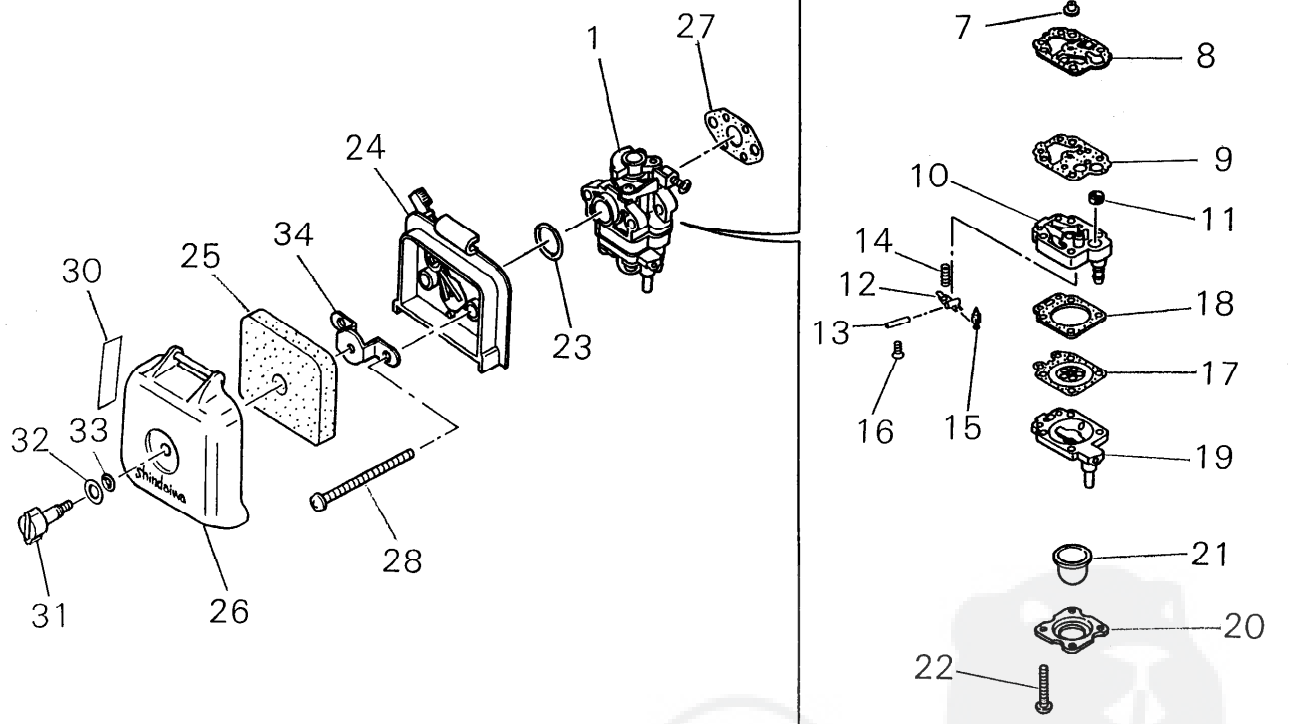
Ref. No	Part No.	Part Name	Q'ty
4-1	20016-71200	ROTOR	1
2	02403-03100	KEY	1
3	20035-71220	NUT	1
4	20016-71601	COIL ASSEMBLY	1
5	20016-71641	*CORD	1
6	20010-72221	PLUG CAP	1
7	20000-72241	PLUG CAP COVER	1
8	20000-72250	COVER BAND	1
18	70180-72260	SHIELD	1

Ref. No	Part No.	Part Name	Q'ty
9	20000-72230	SPRING SPARKPLUG	1
10	20016-71651	TUBE	1
11	20010-72110	GROMMET	1
12	20016-71660	TUBE	1
13	70030-71620	INSULATOR	2
14	01020-04260	BOLT	2
15	01600-04101	SPRING WASHER	2
16	01613-04080	WASHER	2
17	13000-13406	SPARKPLUG BMR6A	1

* Denotes item is part of an assembly ** Denotes item is part of a sub-assembly

CARBURETOR / CLEANER

ILLUSTRATION 6 - REV 11/02

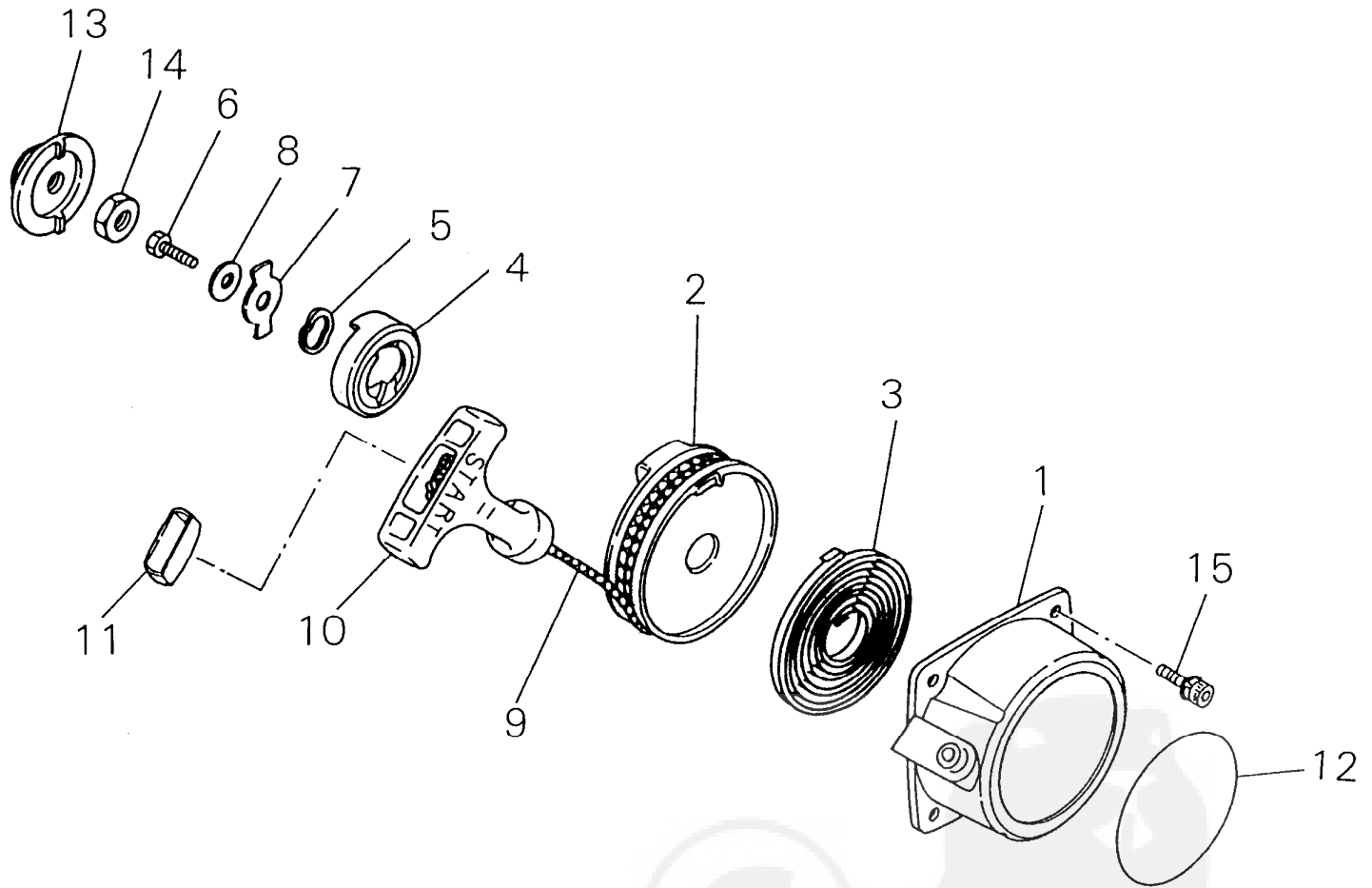


Ref. No	Part No.	Part Name	Q'ty
6-1	20016-81021	CARBURETOR BODY ASSEMBLY	1
2	20016-81180	*VALVE ASSEMBLY	1
3	22154-81270	*PLUG	1
4	70064-81290	*SCREW	2
6	70097-81220	*O-RING	1
7	70064-81230	*MAINJET	1
8	70097-81310	*GASKET PUMP	1
9	70097-81320	*DIAPHRAGM	1
10	20016-81410	*PUMP BODY COMP	1
11	70030-81380	**SCREEN	1
12	22100-81230	**LEVER	1
13	22100-81250	**PIN	1
14	20016-81270	**SPRING	1
15	20036-81440	**NEEDLE VALVE	1
16	20016-81450	**SCREW	1
17	22100-81260	*DIAPHRAGM ASSEMBLY	1
18	20016-81280	*GASKET	1
19	20016-81420	*PUMP BASE COMP	1
20	20016-81510	*PUMP COVER	1

Ref. No	Part No.	Part Name	Q'ty
21	70029-81480	*PRIMING PUMP	1
22	20016-81140	*SCREW	4
23	20016-81250	O-RING	1
24	70140-81710	CLEANER BODY COMP	1
25	20018-81750	FILTER	1
26	70140-81760	CLEANER COVER	1
31	20115-81780	KNOB CLEANER COVER	1
32	22100-82430	O-RING	1
33	20024-81790	CONE WASHER	1
34	20018-81721	BACKPLATE	1
27	20016-81530	GASKET	1
28	70140-81810	SCREW PMM 5X67	2
30	19404-00008	LABEL CHOKE	1
	20016-81910	GASKET KIT	1
8	70097-81310	*GASKET PUMP	1
18	20016-81280	*GASKET	1
	70097-81920	DIAPHRAGM KIT	1
9	70097-81320	*DIAPHRAGM	1
17	22100-81260	*DIAPHRAGM ASSEMBLY	1

RECOIL STARTER

ILLUSTRATION 5 - REV 11/02



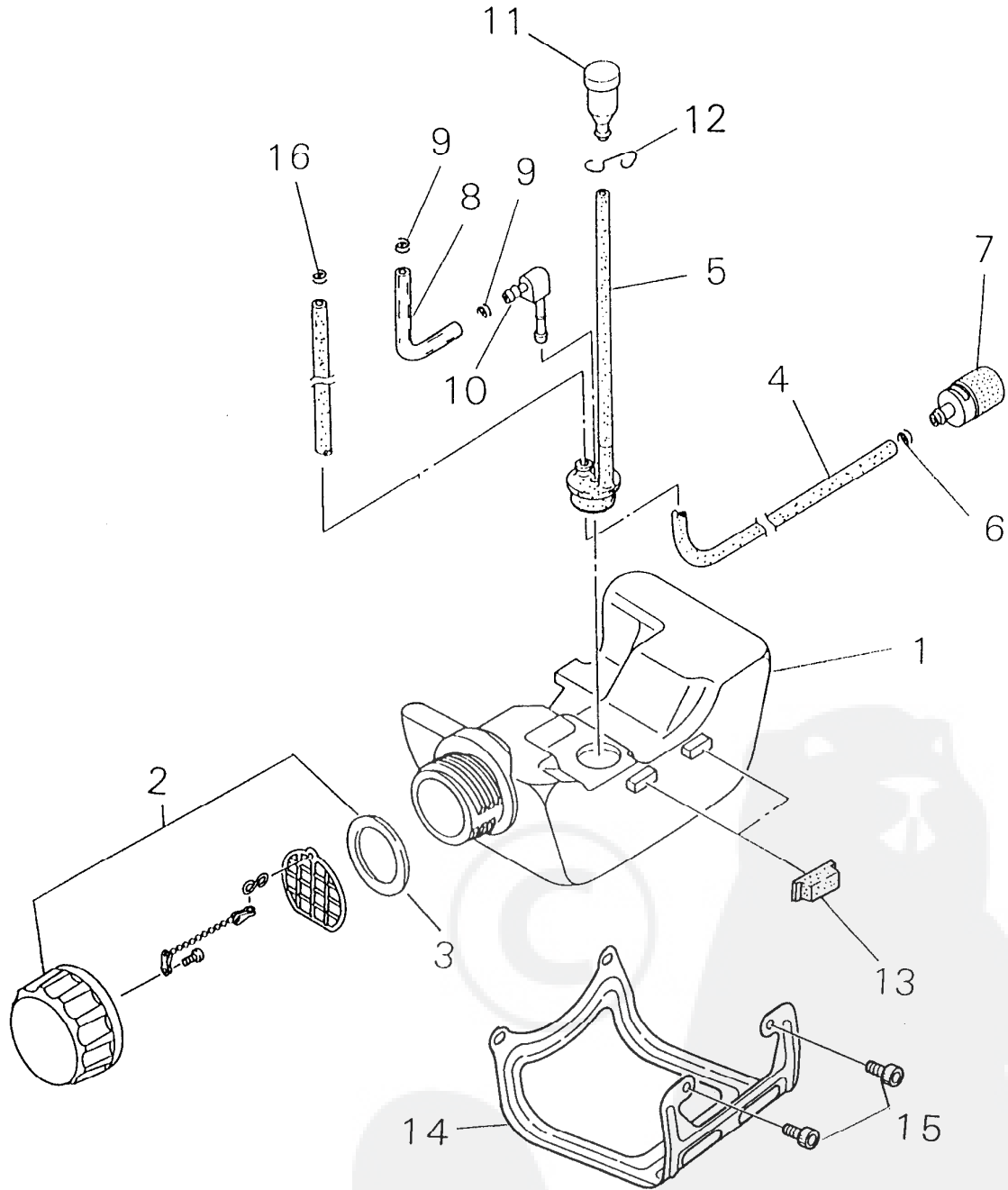
Ref. No	Part No.	Part Name	Q'ty
5-	72933-75101	RECOIL STARTER SUB ASSEMBLY	1
1	70064-75110	*STARTER CASE	1
1	20064-75110	*STARTER CASE	1
2	72933-75120	*REEL	1
2	20064-75120	*REEL	1
3	70064-75130	*RECOIL SPRING	1
3	20140-75130	*SPRING	1
4	72933-75140	*DOG	1
4	20140-75140	*DOG	1
5	70064-75150	*WAVE WASHER	1
5	20140-75150	*BRAKE SPRING	1
6	72933-75160	*SCREW	1

Ref. No	Part No.	Part Name	Q'ty
6	20140-75160	*SCREW	1
7	72933-75170	*RETAINER	1
7	20140-75170	*RETAINER	1
8	72933-75180	*WASHER	1
8	20140-75180	*WASHER	1
9	70064-75190	*ROPE	1
9	32004-75140	*ROPE	1
10	32004-75150	*KNOB	1
10	72933-75210	*HANDLE	1
12	70064-75250	*NAMEPLATE	1
13	70064-75310	STARTER PULLEY	1
14	01511-08051	NUT	1
15	11060-04122	BOLT ADHESIVE	4

* Denotes item is part of an assembly ** Denotes item is part of a sub-assembly

FUEL TANK

ILLUSTRATION 7 - REV 11/02

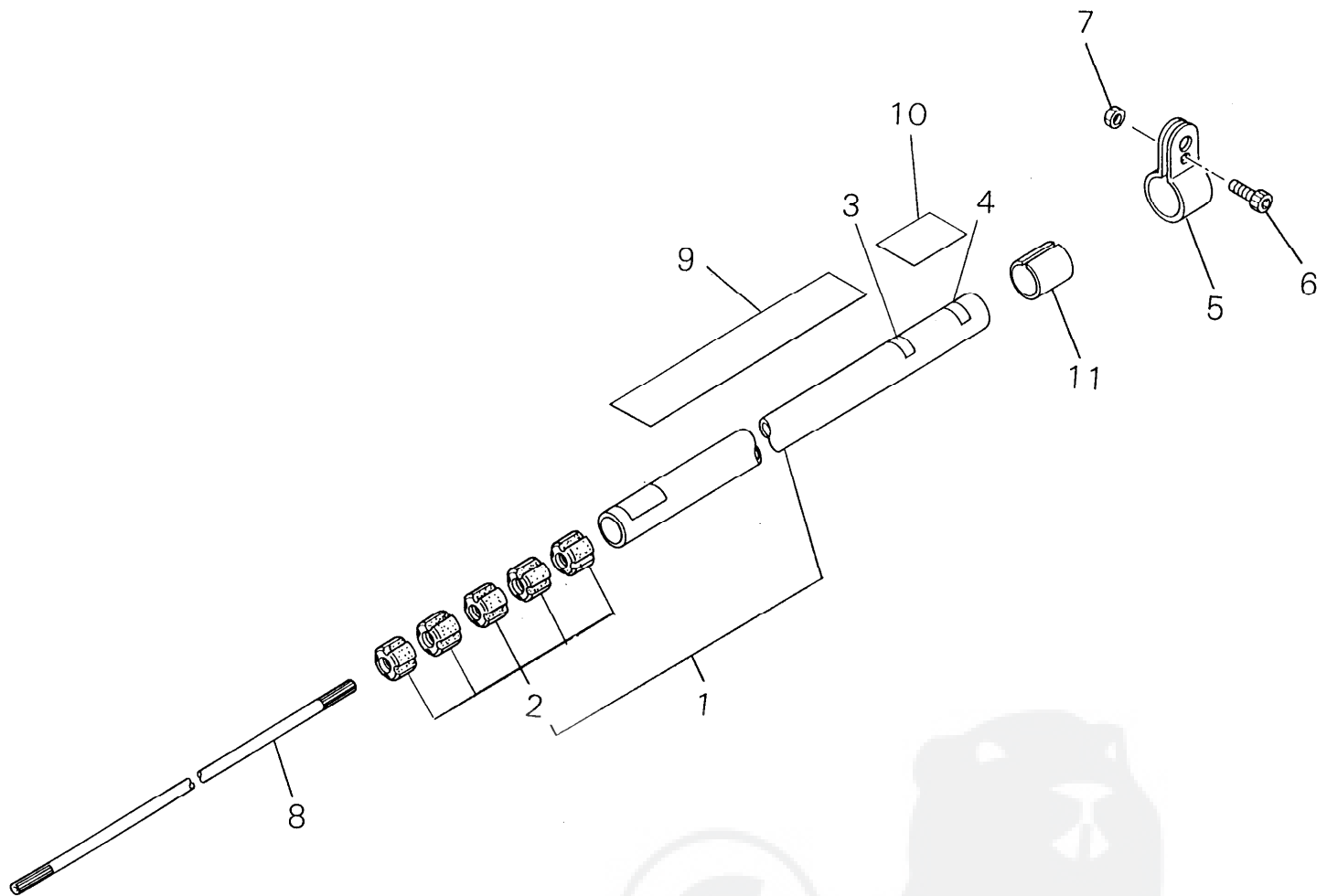


Ref. No	Part No.	Part Name	Q'ty
7-1	20016-85112	FUEL TANK	1
2	70168-85201	FUEL CAP ASSEMBLY	1
3	20000-85221	*GASKET	1
4	70064-85311	FUEL PIPE	1
5	20089-85350	GROMMET	1
6	20020-85540	CLIP	2
7	20016-85400	FUEL FILTER	1
8	20089-83311	PIPE	2

Ref. No	Part No.	Part Name	Q'ty
16	37013-85310	CLIP	1
9	20020-85540	CLIP	1
10	20087-85340	JOINT	1
11	20035-85522	VALVE	1
12	20016-12310	VALVE HOLDER	1
13	20024-86120	TANK CUSHION	4
14	70135-86130	TANK GUARD	1
15	11022-05120	BOLT SPW	2

OUTER PIPE

ILLUSTRATION 8 - REV 11/02

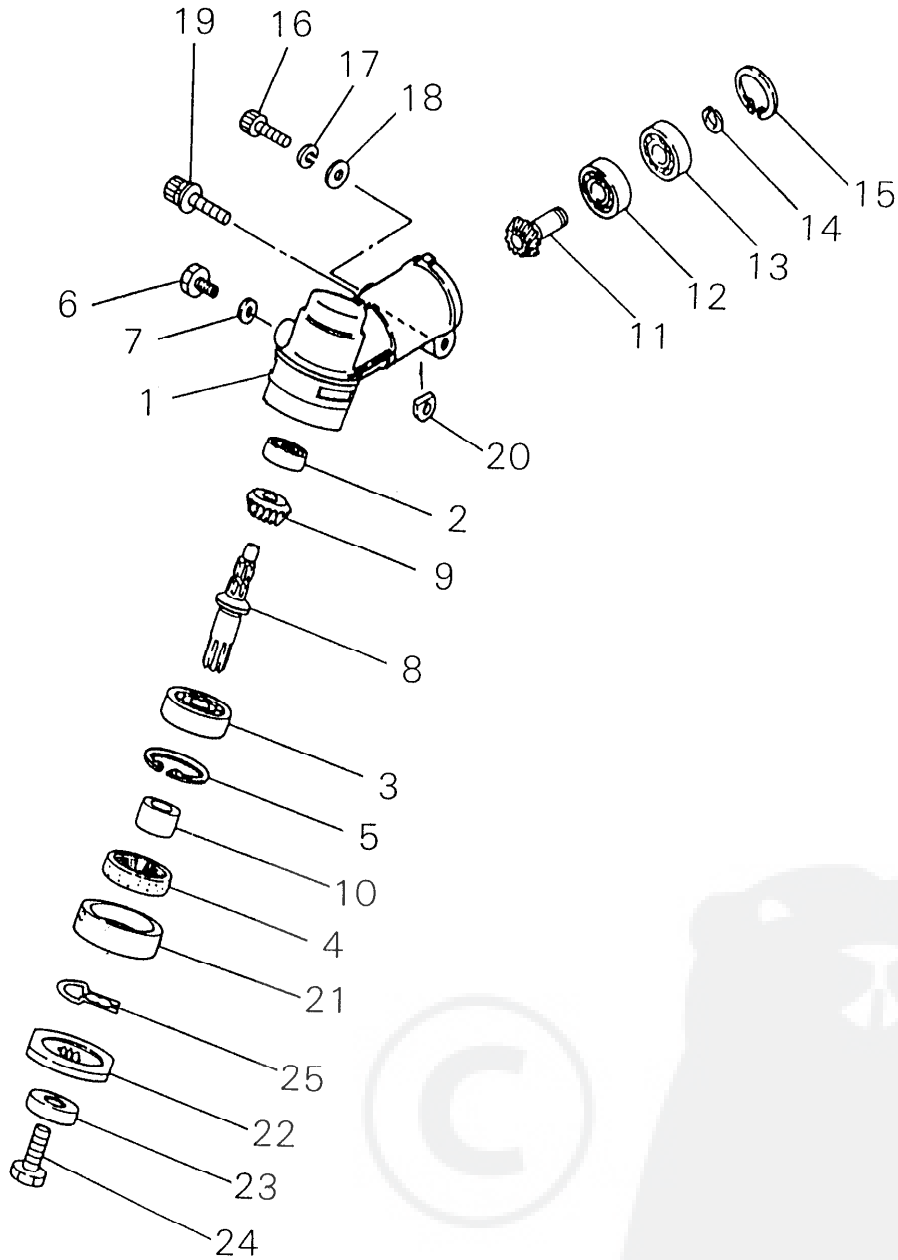


Ref. No	Part No.	Part Name	Q'ty
8- 1	72432-12100	OUTER PIPE COMP	1
2	22035-12120	*BUSH	5
3	72017-12150	HANDLE LABEL	1
4	72005-12140	CAUTION PLATE	1
5	22410-12210	HANGER	1
6	01020-05120	BOLT	1
7	01500-05041	NUT	1
8	22070-12410	MAINSHAFT	1
9	19422-00010	LABEL CAUTION	1
10	19402-00223	LABEL CAUTION	1
11	22036-14130	SPACER	1

* Denotes item is part of an assembly ** Denotes item is part of a sub-assembly

GEARCASE

ILLUSTRATION 9 - REV 11/02

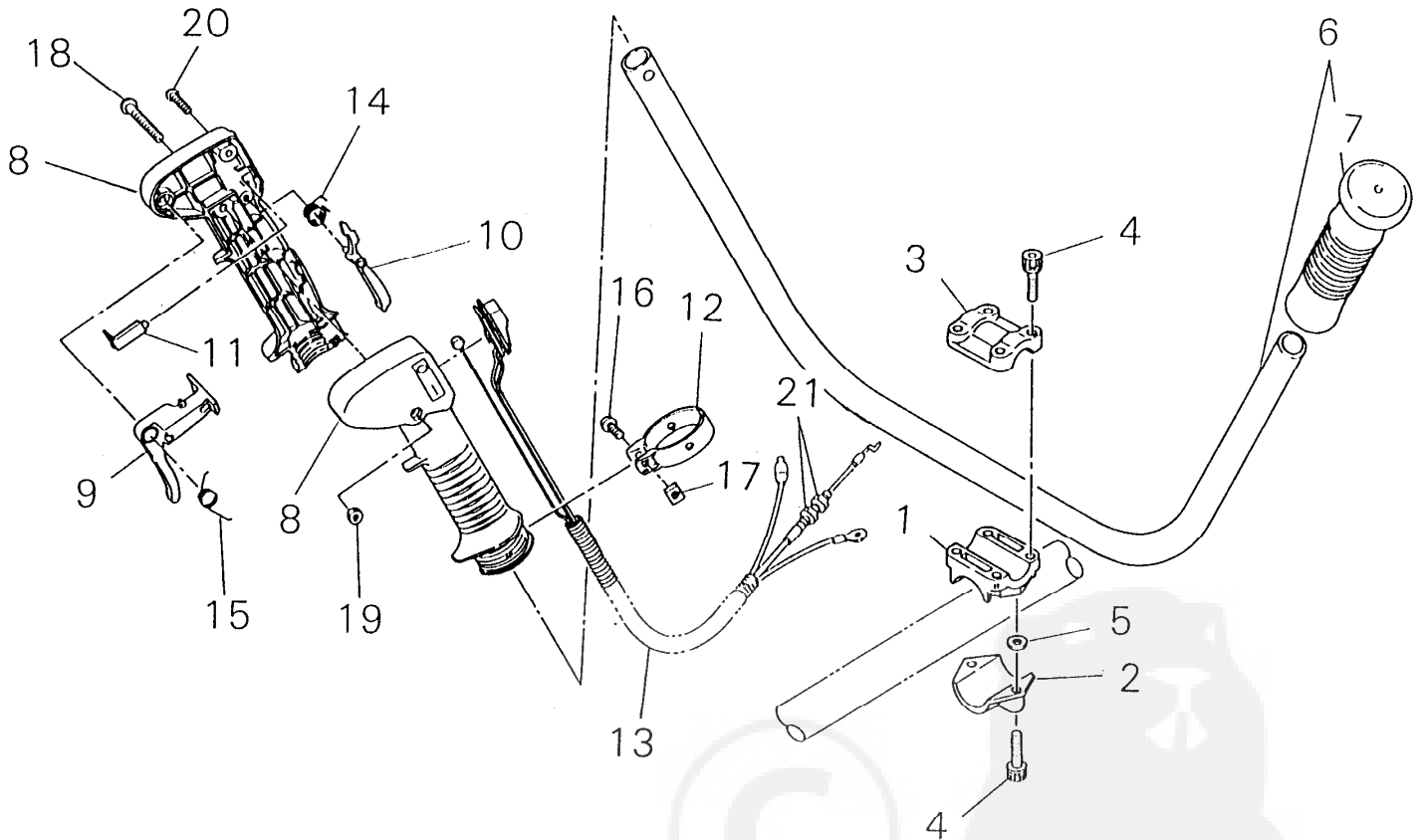


Ref. No	Part No.	Part Name	Q'ty
9-	22410-13011	GEARCASE SUB ASSEMBLY	1
1	22035-13113	*GEARCASE	1
2	02006-00626	*BEARING	1
3	02000-06000	*BEARING	1
4	22035-13140	*OIL SEAL	1
5	02432-26120	*SNAP RING	1
6	01014-06100	*BOLT	1
7	22000-13410	*GASKET	1
8	22410-13210	*GEARSHAFT	1
9	22035-13220	*BEVEL GEAR	1
10	22035-13230	*COLLAR	1
11	22035-13391	*PINION SET	1
12	02000-00608	*BEARING	1

Ref. No	Part No.	Part Name	Q'ty
13	02002-00608	*BEARING	1
14	22035-13340	*SNAP RING	1
15	02432-22100	*SNAP RING	1
16	01020-05120	*BOLT	1
17	01600-05131	*SPRING WASHER	1
18	01610-05080	*WASHER	1
19	11023-05250	*BOLT SW	1
20	22000-13420	*SHIM	1
21	22035-13242	HOLDER A	1
22	22410-13251	HOLDER B	1
23	22035-13290	BOLT GUARD	1
24	22035-13271	BOLT	1
25	22410-13530	SLIDE CLIP	1

HANDLE ASSEMBLY / THROTTLE LEVER

ILLUSTRATION 11 - REV 11/02



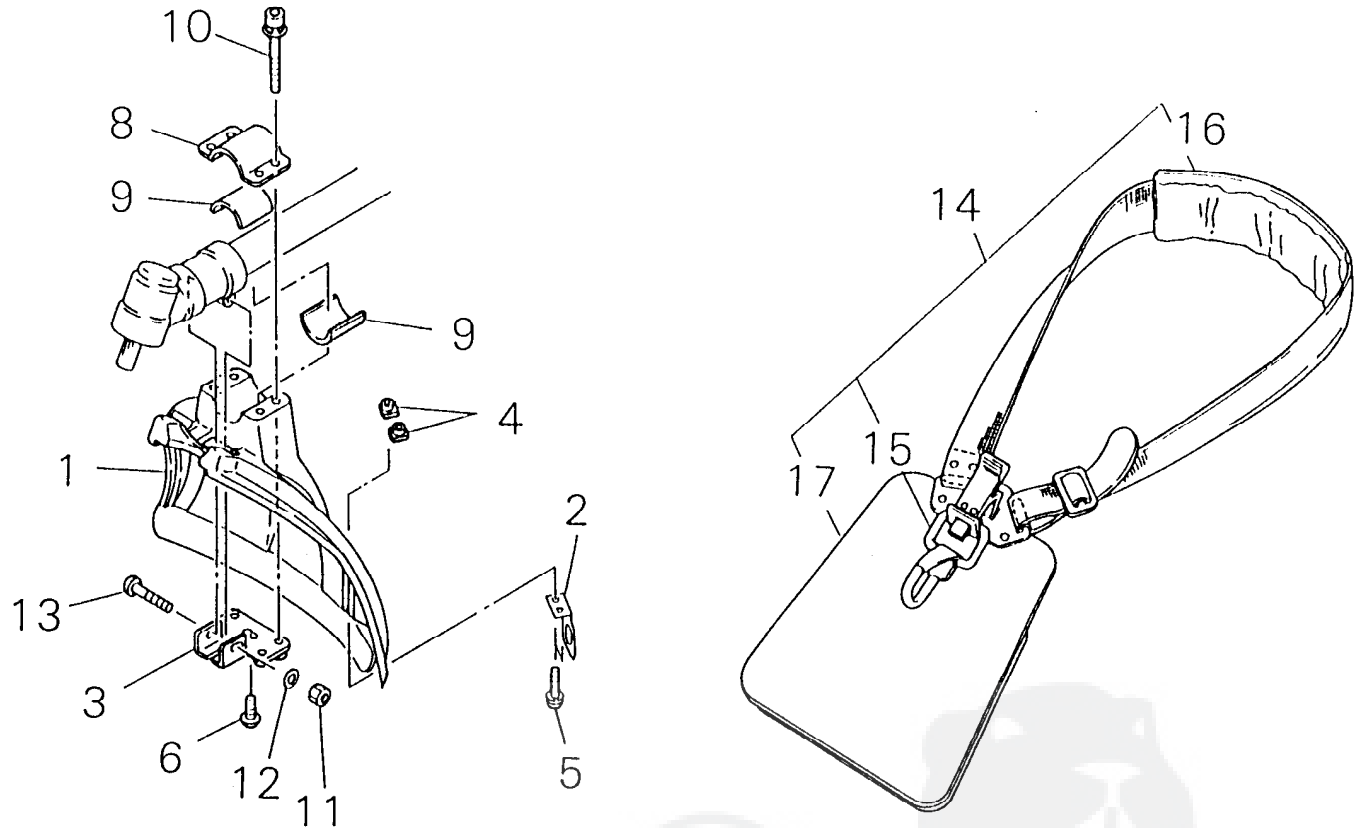
Ref. No	Part No.	Part Name	Q'ty
11-	72091-14100	BRACKET SUB ASSEMBLY	1
1	72051-14110	*HANDLE BRACKET	1
2	72051-14120	*LOWER CAP	1
3	72051-14131	*UPPER CAP	1
4	11022-05250	*BOLT SPW	6
5	01610-05080	*WASHER	1
6	72431-14200	HANDLE SUB ASSEMBLY	1
7	22421-14230	*GRIP	1
	72528-14503	THROTTLE LEVER ASSEMBLY	1
8	72431-14600	*BODY SUB ASSEMBLY	1
9	72451-14530	*LEVER	1

Ref. No	Part No.	Part Name	Q'ty
10	72451-14540	*LOCK LEVER	1
11	72451-14550	*BUTTON	1
12	72451-14560	*CLAMP	1
13	72528-14572	*THROTTLE CABLE COMP	1
14	72451-14580	*RETURN SPRING	1
15	72451-14590	*SPRING	1
16	01020-06200	*BOLT	1
17	72451-14610	*NUT	1
18	11203-05351	*SCREW PM	1
19	72451-14630	*NUT	1
20	72451-14620	*SCREW TAPPING	1
21	01501-06041	NUT	2

* Denotes item is part of an assembly ** Denotes item is part of a sub-assembly

CUTTER / GUARD / STRAP ASSEMBLY

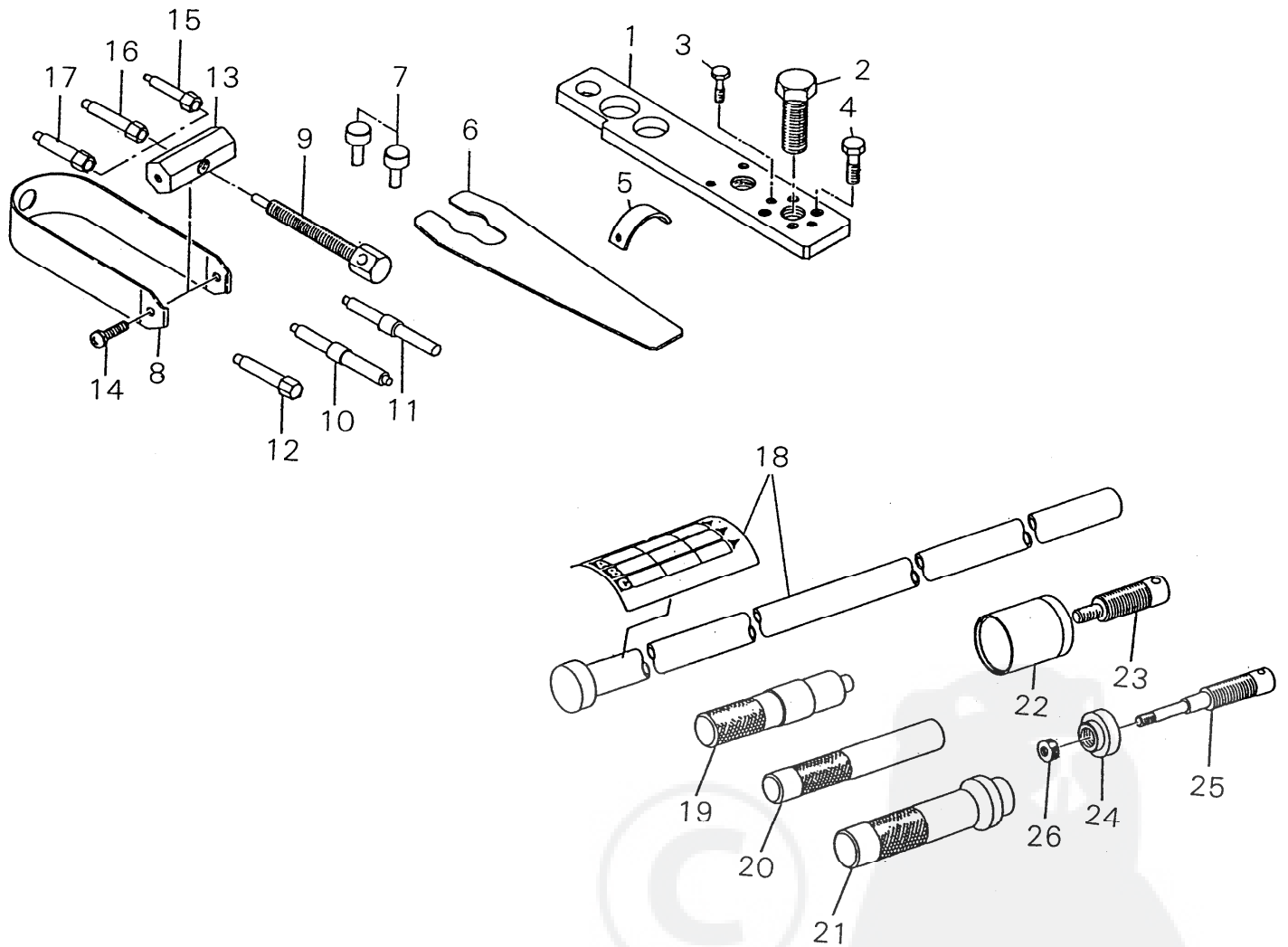
ILLUSTRATION 12- REV 11/02



Ref. No	Part No.	Part Name	Q'ty
12- 1	72480-16113	GUARD	1
2	72480-16121	CUTTER	1
3	72480-16130	LOWER CLAMP	1
4	22420-16120	NUT	2
5	11020-05160	BOLT SW	2
6	11022-04100	BOLT SPW	1
8	72480-16210	UPPER CLAMP	1
9	72480-16220	SPACER	2
10	11022-05500	BOLT SPW	1
11	01500-05041	NUT	1
12	01613-05080	WASHER	1
13	11022-05350	BOLT SPW	1
14	72474-17201	STRAP ASSEMBLY	1
15	22020-17130	*HOOK	1
16	22007-17220	*PROTECTOR	1
17	72451-17262	PAD	1

PULLER ASSEMBLY / ROD BUSHING

ILLUSTRATION 13 - REV 11/02



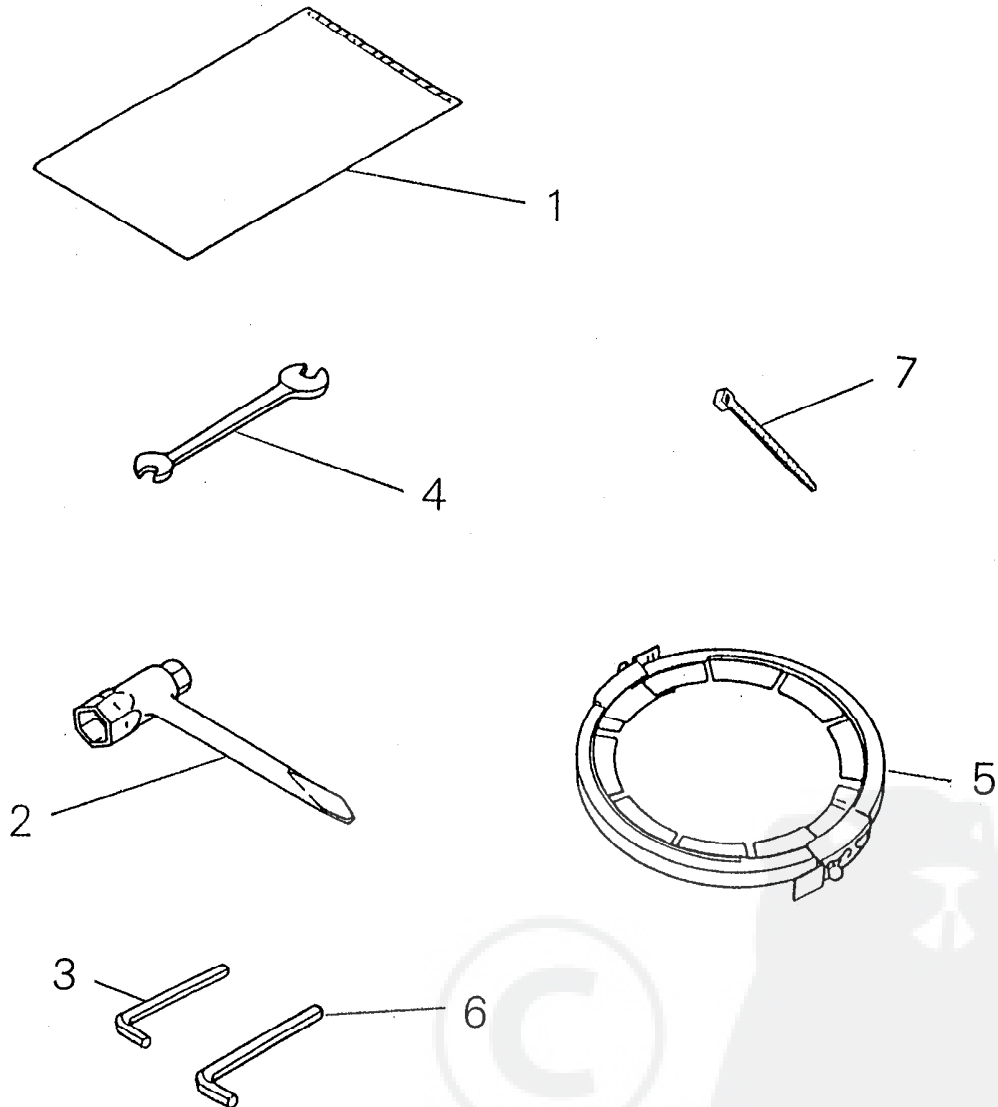
Ref. No	Part No.	Part Name	Q'ty
13-	20000-96104	PULLER ASSEMBLY	1
1	20000-96114	*LEVER	1
2	22100-96121	*CENTER BOLT	1
3	20000-96130	*BOLT	3
4	20000-96140	*BOLT	2
5	20000-96210	AIR GAP GAUGE	1
6	20000-96411	ROTOR SPANNER	1
7	20021-96420	STOPPER	1
	20021-96601	PULLER ASSEMBLY	1
8	20021-96611	*PULLER	1
9	20021-96621	*BOLT	1
10	20000-96631	*GUIDE PIN	1
11	20035-96630	*GUIDE PIN	1
12	20021-96630	*GUIDE PIN	1
13	20000-96640	*BOSS	1

Ref. No	Part No.	Part Name	Q'ty
14	01211-06120	*SCREW SW	2
15	20021-96650	*PIN ADAPTER	1
16	20021-96660	*PIN ADAPTER	1
17	20021-96670	*PIN ADAPTER	1
18	22000-96101	ROD BUSHING ASSEMBLY	1
19	22035-96210	ROD 626DDU	1
20	22035-96310	ROD 608ZZ	1
21	22035-96410	ROD 6000	1
	22035-96500	PULLER SUB ASSEMBLY	1
22	22035-96510	*PULLER	1
	22035-96520	*BOLT	1
	22035-96600	PULLER SUB ASSEMBLY	1
24	22035-96610	*HOLDER	1
25	22000-96621	*BOLT	1
26	22000-96630	*NUT	1

* Denotes item is part of an assembly ** Denotes item is part of a sub-assembly

TOOL SET

ILLUSTRATION 10 - REV 11/02



Ref. No	Part No.	Part Name	Q'ty
10-	72528-91001	TOOLSET	1
1	19639-01100	*POLYBAG	1
2	22000-91181	*PLUG WRENCH	1
3	09026-04001	*HEX A WRENCH	1
4	22000-91120	*SPANNER	1
6	09026-05001	*HEX A WRENCH	1
7	72431-12190	*BAND	2
5	19601-00300	BLADE COVER	1





shindaiwa

www.shindaiwa.com

11975 SW Herman Road, Tualatin, Oregon 97062, U.S.A.

1 + 503.692.3070 • fax 1 + 503.692.6696 •

Item #xxxx Effective 11/02