

Shindaiwa Illustrated Parts List

C2510 EC1 Brushcutter

| | |
|---|----|
| CYLINDER..... | 2 |
| CYLINDER COVER / FAN COVER / REED VALVE..... | 3 |
| VALVE TRAIN / PISTON / CLUTCH / CRANKSHAFT..... | 4 |
| ROTOR / IGNITION COIL..... | 5 |
| RECOIL STARTER..... | 6 |
| AIR CLEANER / CARBURETOR..... | 7 |
| FUEL TANK..... | 8 |
| OUTER PIPE / HANGER..... | 9 |
| GEAR CASE..... | 10 |
| THROTTLE LEVER..... | 11 |
| GUARD SET / STRAP..... | 12 |
| STABILIZER / SAWS / TRIMMER HEAD..... | 13 |
| BLADE COVER..... | 13 |
| TOOL SET..... | 13 |

www.shindaiwa.com

11975 SW Herman Road

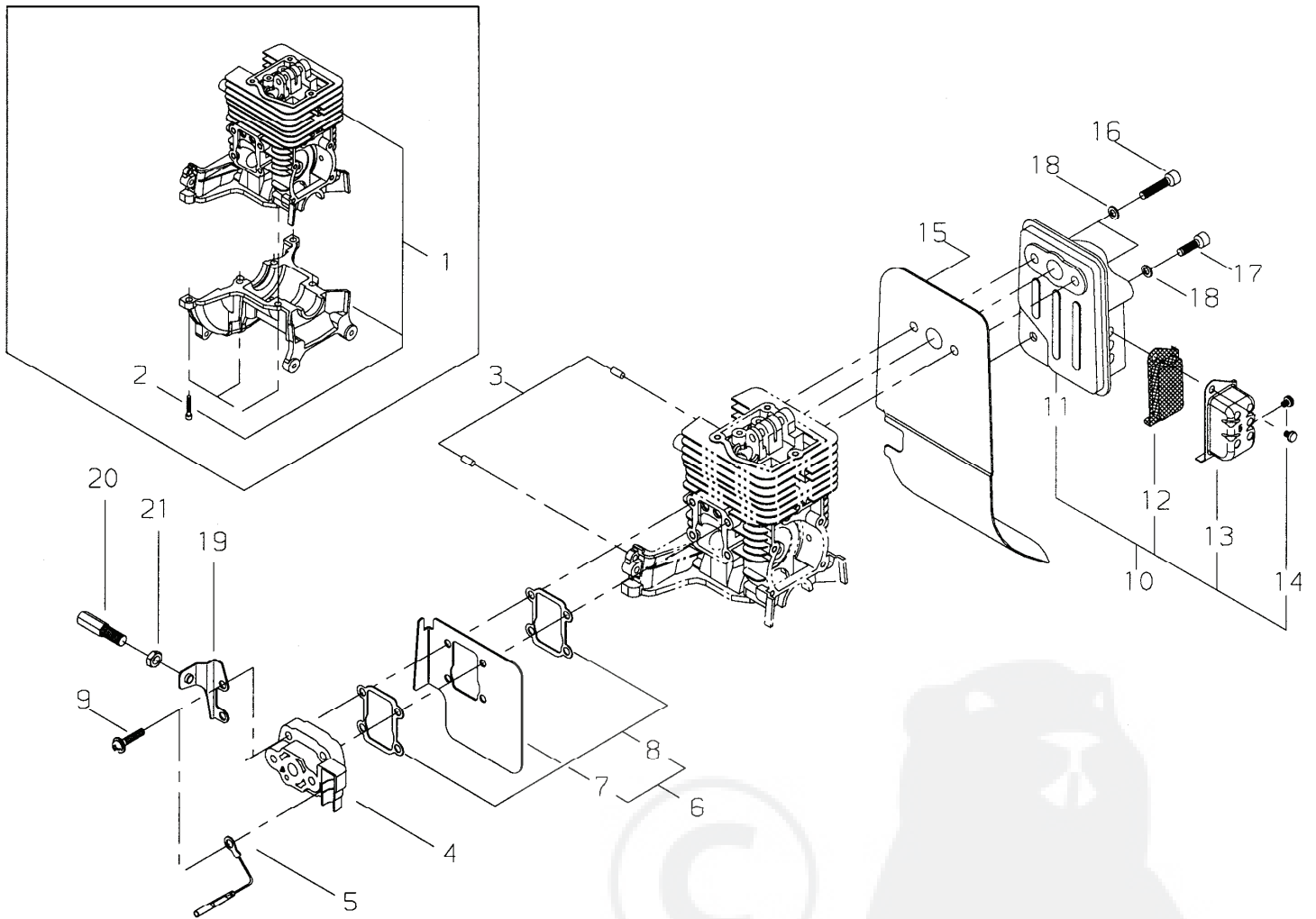
Tualatin, Oregon 97062, U.S.A.

1 + 503.692.3070 • fax 1 + 503.692.6696 •

shindaiwa

CYLINDER

ILLUSTRATION 1 - REV 7/05

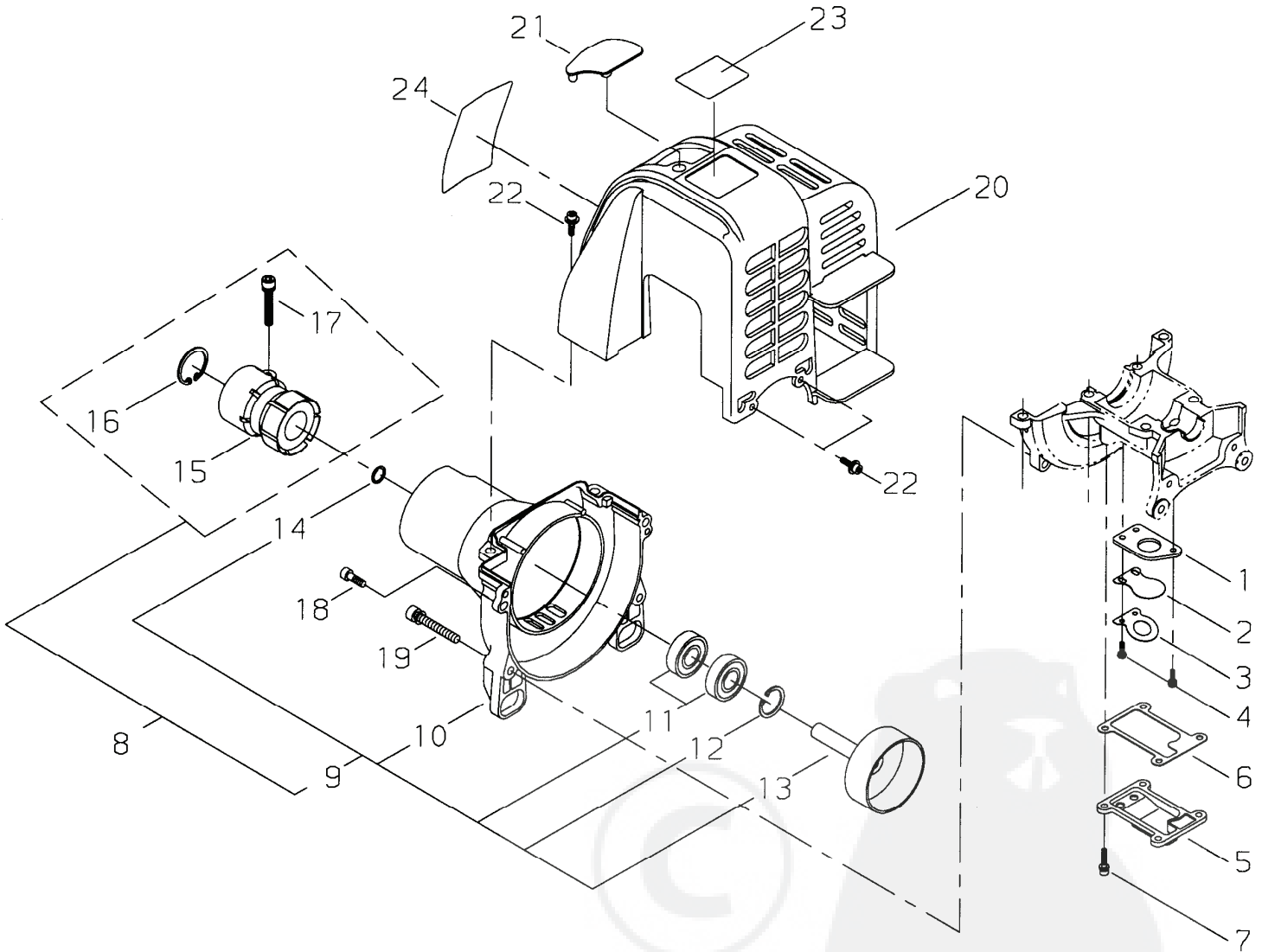


| Ref. No | Part No. | Part Name | Q'ty |
|---------|-------------|---------------------|------|
| 1- 1 | 60908-98330 | CYLINDER BLOCK SET | 1 |
| 2 | 01020-05160 | *BOLT | 6 |
| 3 | 12492-40080 | ROLLER | 2 |
| 4 | 62902-12310 | REED VALVE | 1 |
| 5 | 14350-01101 | LEAD WIRE | 1 |
| 6 | 62902-12320 | DEFLECTOR HEAT COMP | 1 |
| 7 | 62901-12320 | *DEFLECTOR HEAT | 1 |
| 8 | 62901-12220 | *GASKET | 2 |
| 9 | 11206-05225 | SCREW PM SPW | 4 |
| 10 | 62907-15011 | MUFFLER ASSEMBLY | 1 |
| 11 | 62907-15111 | *MUFFLER | 1 |

| Ref. No | Part No. | Part Name | Q'ty |
|---------|-------------|------------------------|------|
| 12 | 62902-15131 | *SCREEN | 1 |
| 13 | 62907-15161 | *TAIL PLATE | 1 |
| 14 | 11204-04060 | *SCREW PM | 2 |
| 15 | 62901-15210 | GASKET MUFFLER | 1 |
| 16 | 62901-15310 | BOLT | 2 |
| 17 | 01020-05160 | BOLT | 1 |
| 18 | 01610-05080 | WASHER | 3 |
| 19 | 62901-83310 | BRACKET THROTTLE CABLE | 1 |
| 20 | 62902-83310 | CABLE ADJUSTER | 1 |
| 21 | 01501-06048 | NUT | 1 |

CYLINDER COVER / FAN COVER / REED VALVE

ILLUSTRATION 2 - REV 7/05



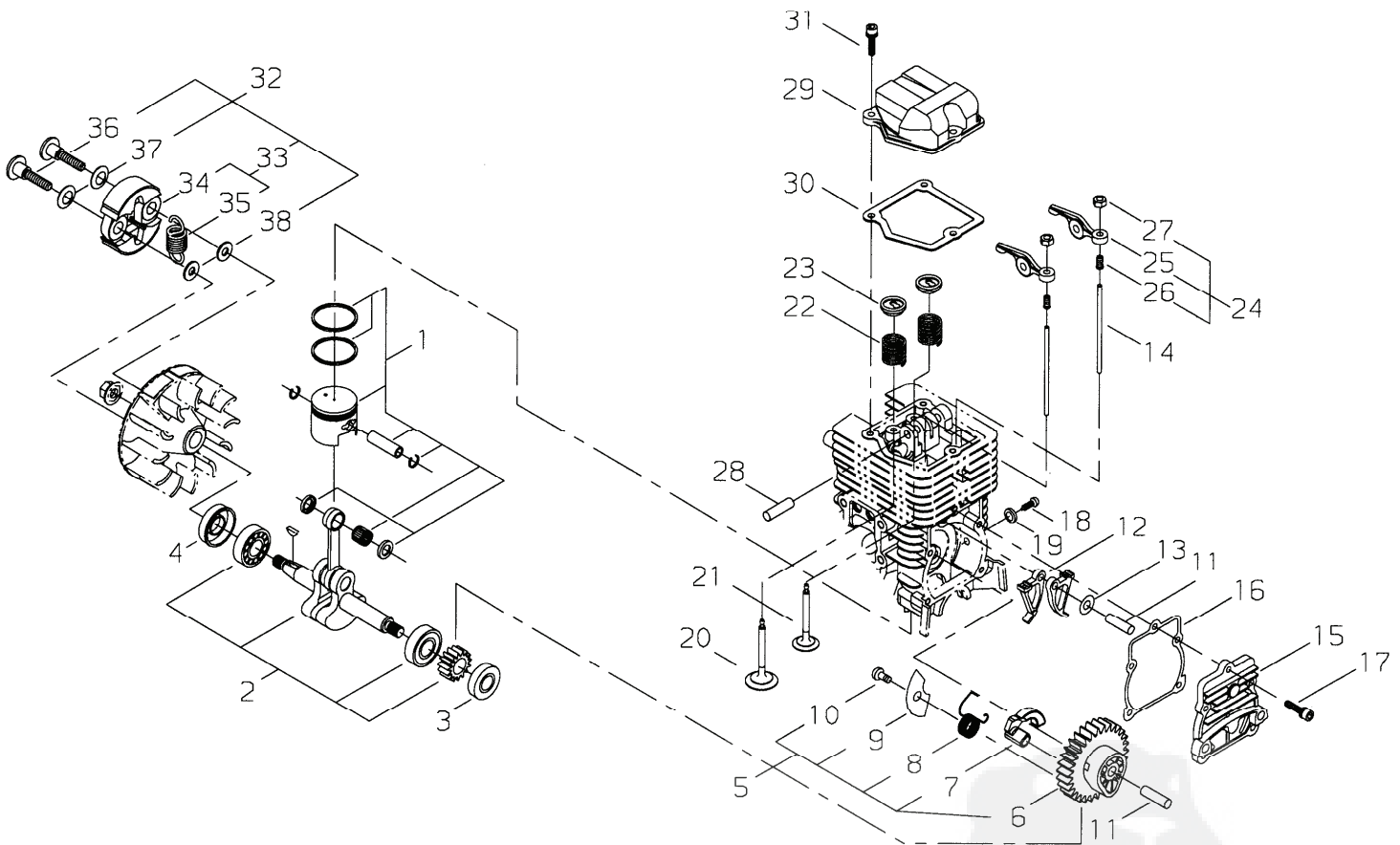
| Ref. No | Part No. | Part Name | Q'ty |
|---------|-------------|--------------------|------|
| 2-1 | 62901-21320 | INSULATOR | 1 |
| 2 | 72320-83121 | VALVE | 1 |
| 3 | 72320-83132 | STOPPER | 1 |
| 4 | 01211-03100 | SCREW SW | 3 |
| 5 | 62901-21120 | COVER | 1 |
| 6 | 62901-21130 | GASKET | 1 |
| 7 | 11022-04120 | BOLT SW | 4 |
| 8 | 60902-98021 | FAN COVER ASSEMBLY | 1 |
| 9 | 62901-31011 | *FAN COVER COMP | 1 |
| 10 | 62901-31111 | **FAN COVER | 1 |
| 11 | 02002-06000 | **BEARING | 2 |
| 12 | 02432-26120 | **SNAP RING | 1 |

| Ref. No | Part No. | Part Name | Q'ty |
|---------|-------------|----------------|------|
| 13 | 20087-31211 | **CLUTCH DRUM | 1 |
| 14 | 22000-13320 | **SNAP RING | 1 |
| 15 | 20087-31411 | *JOINT | 1 |
| 16 | 02432-40170 | *SNAP RING | 1 |
| 17 | 11020-05220 | *BOLT SW | 1 |
| 18 | 01020-05160 | BOLT | 2 |
| 19 | 11022-05450 | BOLT SPW | 2 |
| 20 | 62901-32111 | CYLINDER COVER | 1 |
| 21 | 62901-32312 | GROMMET | 1 |
| 22 | 11024-04160 | BOLT SLPW | 4 |
| 23 | 62911-91320 | LABEL TRADE | 1 |
| 24 | 19420-00071 | LABEL TRADE | 1 |

* Denotes item is part of an assembly ** Denotes item is part of a sub-assembly

VALVE TRAIN / PISTON / CLUTCH / CRANKSHAFT

ILLUSTRATION 3 - REV 7/05

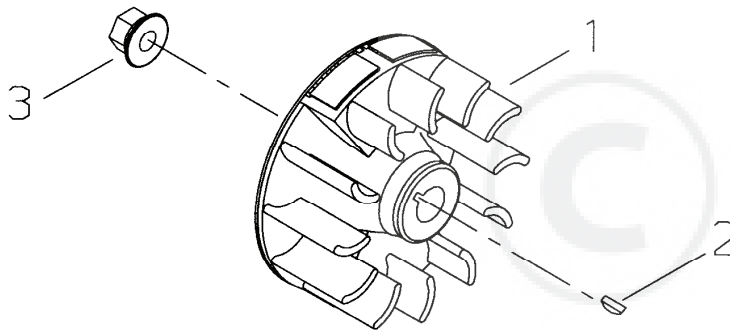
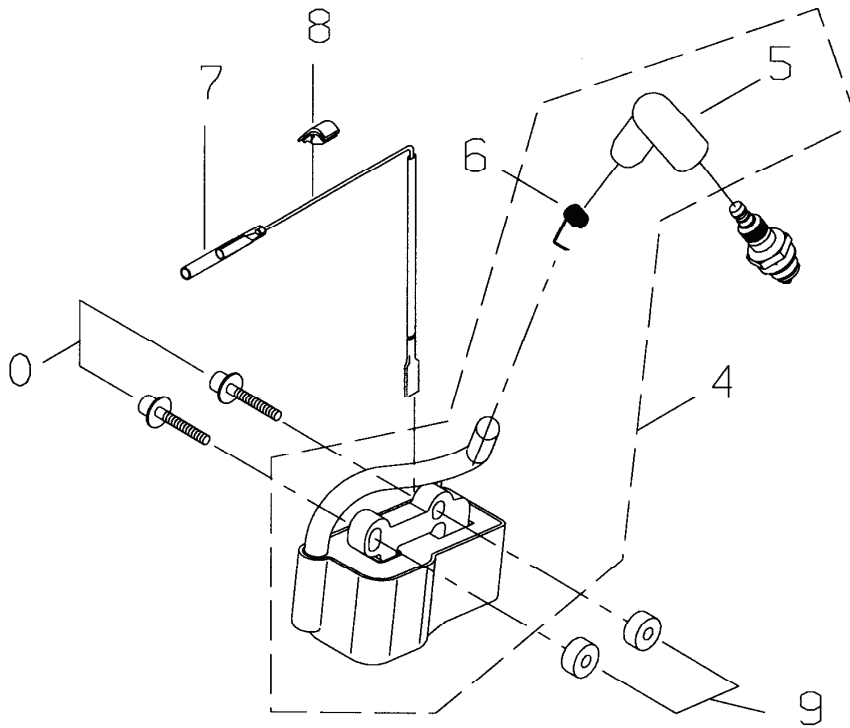


| Ref. No | Part No. | Part Name | Q'ty |
|---------|-------------|-------------------|------|
| 3-1 | 62902-41310 | PISTON SET | 1 |
| 2 | 62902-42020 | CRANKSHAFT COMP | 1 |
| 3 | 62901-42260 | OIL SEAL | 1 |
| 4 | 62901-42270 | OIL SEAL | 1 |
| 5 | 62905-43010 | CAM GEAR ASSEMBLY | 1 |
| 6 | 62902-43310 | *CAM GEAR | 1 |
| 7 | 62907-43120 | *WEIGHT | 1 |
| 8 | 17520-08900 | *COIL SPRING | 1 |
| 9 | 62905-43130 | *PLATE | 1 |
| 10 | 01280-04062 | *SCREW TAPPING | 1 |
| 11 | 12492-50290 | ROLLER | 2 |
| 12 | 62907-43210 | LIFTER | 2 |
| 13 | 11620-10000 | WASHER | 1 |
| 14 | 62908-43220 | PUSHROD | 2 |
| 15 | 62901-43330 | CAM GEAR COVER | 1 |
| 16 | 62901-43240 | GASKET | 1 |
| 17 | 11022-04140 | BOLT SPW | 5 |
| 18 | 62901-43310 | SCREW | 1 |
| 19 | 15401-10028 | COLLAR | 1 |

| Ref. No | Part No. | Part Name | Q'ty |
|---------|-------------|-----------------------|------|
| 20 | 62902-44110 | INTAKE VALVE | 1 |
| 21 | 62902-44120 | EXHAUST VALVE | 1 |
| 22 | 62901-44130 | VALVE SPRING | 2 |
| 23 | 62901-44140 | RETAINER | 2 |
| 24 | 62907-44010 | ROCKER ARM ASSEMBLY | 2 |
| 25 | 62901-44210 | *ROCKER ARM | 1 |
| 26 | 62907-44220 | *ADJUST SCREW | 1 |
| 27 | 62901-44231 | *NUT | 1 |
| 28 | 12492-50310 | ROLLER | 1 |
| 29 | 62901-44241 | ROCKER ARM COVER | 1 |
| 30 | 62901-44250 | GASKET | 1 |
| 31 | 11022-04120 | BOLT SW | 3 |
| 32 | 62901-51011 | CLUTCH SET | 1 |
| 33 | 62901-51021 | *CLUTCH SHOE ASSEMBLY | 1 |
| 34 | 70140-51113 | **CLUTCH SHOE | 2 |
| 35 | 70140-51220 | **CLUTCH SPRING | 1 |
| 36 | 20087-51210 | *BOLT | 2 |
| 37 | 20087-51231 | *SPRING PLATE | 2 |
| 38 | 22100-71430 | *WASHER | 2 |

ROTOR / IGNITION COIL

ILLUSTRATION 4 - REV 7/05

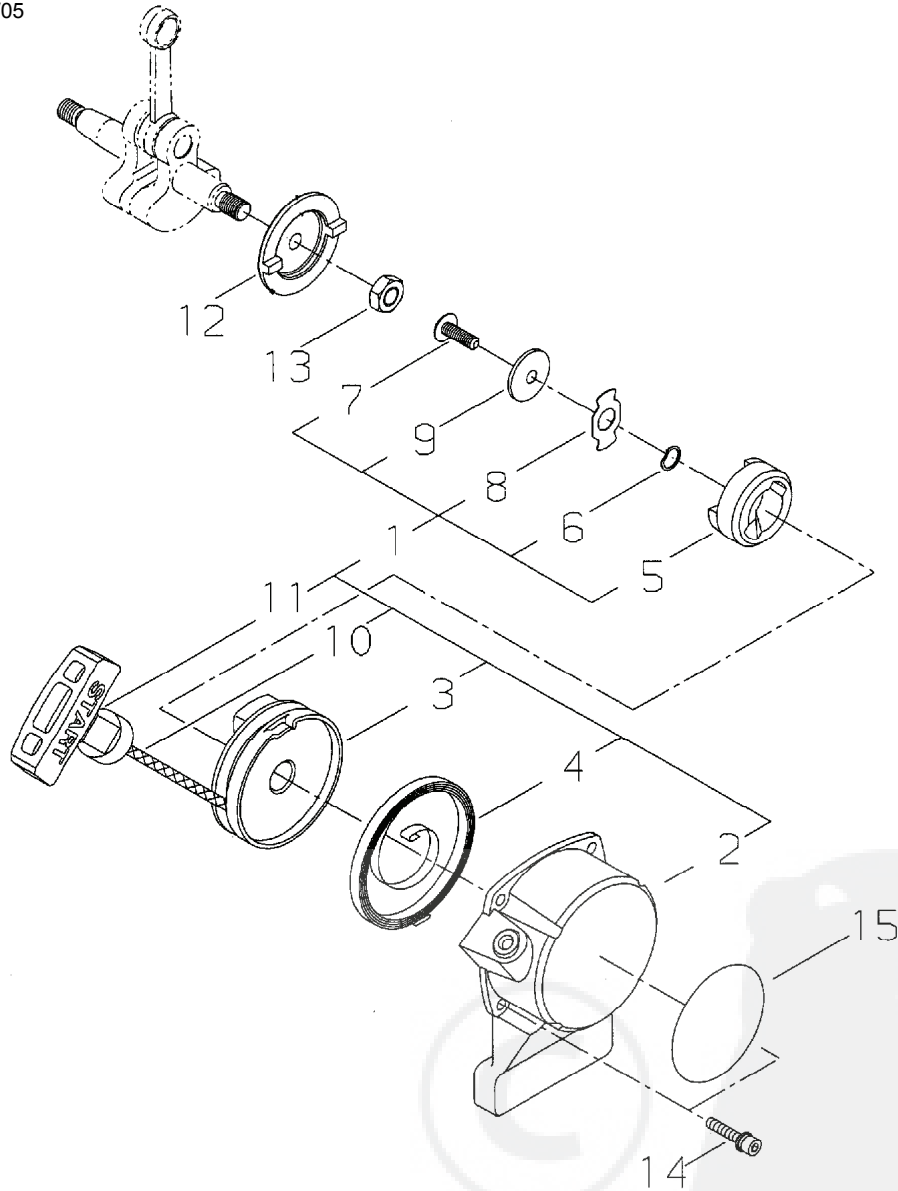


| Ref. No | Part No. | Part Name | Q'ty |
|---------|-------------|---------------|------|
| 4-1 | 62905-71110 | ROTOR | 1 |
| 2 | 02403-03100 | KEY | 1 |
| 3 | 20035-71220 | NUT | 1 |
| 4 | 62905-71310 | COIL ASSEMBLY | 1 |
| 5 | 62905-71250 | *PLUG CAP | 1 |
| 6 | 62905-71320 | *SPRING PLUG | 1 |
| 7 | 14350-02001 | LEAD WIRE | 1 |
| 8 | 62901-71310 | GROMMET | 1 |
| 9 | 70030-71620 | INSULATOR | 2 |
| 10 | 11024-04265 | BOLT SW | 2 |

* Denotes item is part of an assembly ** Denotes item is part of a sub-assembly

RECOIL STARTER

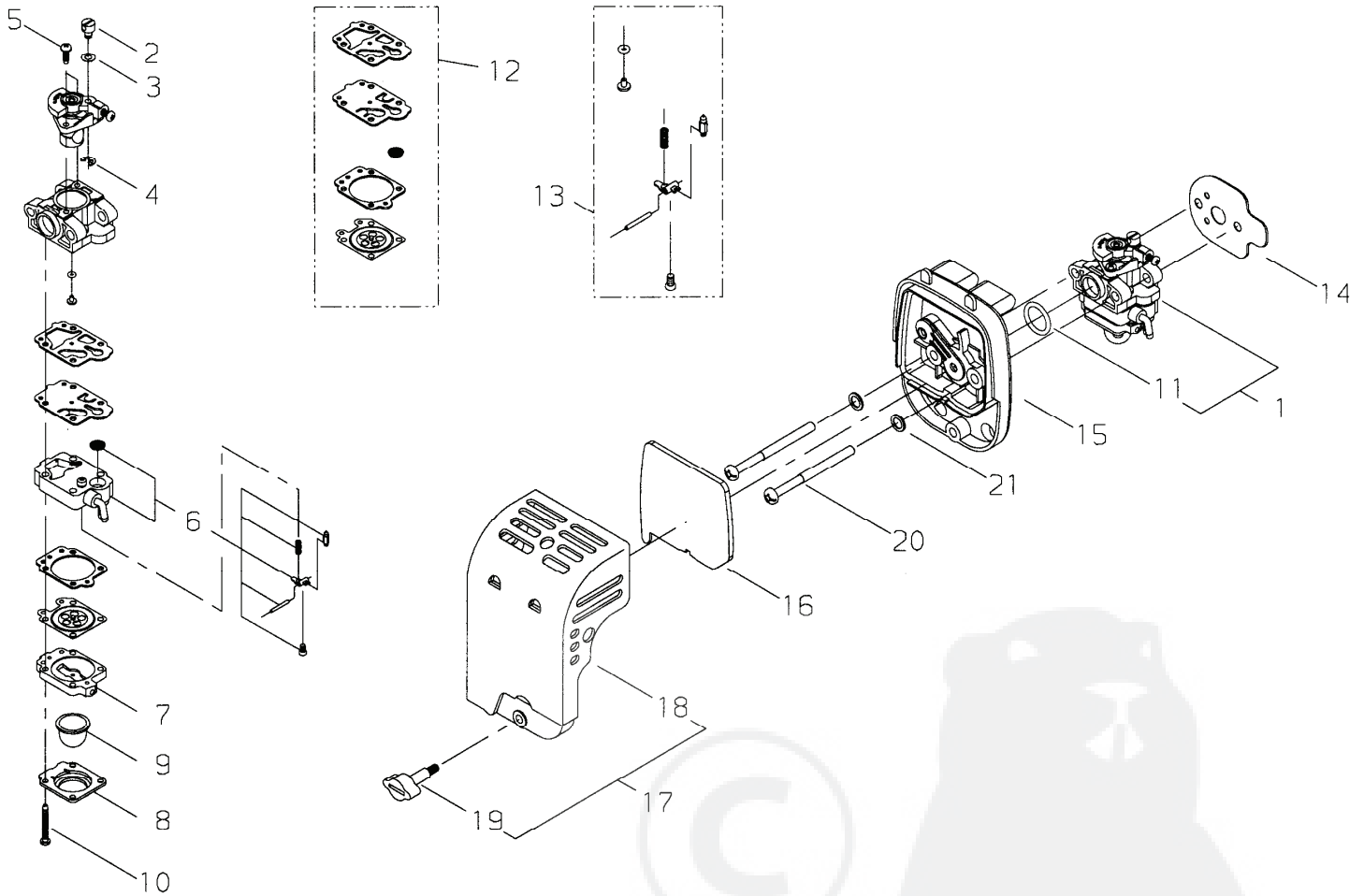
ILLUSTRATION 5 - REV 7/05



| Ref. No | Part No. | Part Name | Q'ty |
|---------|-------------|-------------------------|------|
| 5-1 | 62901-75012 | RECOIL STARTER ASSEMBLY | 1 |
| 2 | 62901-75111 | *STARTER CASE | 1 |
| 3 | 62901-75120 | *REEL | 1 |
| 4 | 70064-75130 | *RECOIL SPRING | 1 |
| 5 | 62901-75310 | *DOG | 1 |
| 6 | 70064-75150 | *WAVE WASHER | 1 |
| 7 | 72933-75160 | *SCREW | 1 |
| 8 | 72933-75170 | *RETAINER | 1 |
| 9 | 72933-75180 | *WASHER | 1 |
| 10 | 32004-75140 | *ROPE | 1 |
| 11 | 32004-75150 | *KNOB | 1 |
| 12 | 70064-75310 | STARTER PULLEY | 1 |
| 13 | 01511-08051 | NUT | 1 |
| 14 | 11024-04160 | BOLT SLPW | 2 |
| 15 | 19420-00070 | LABEL TRADE | 1 |

AIR CLEANER / CARBURETOR

ILLUSTRATION 6 - REV 7/05



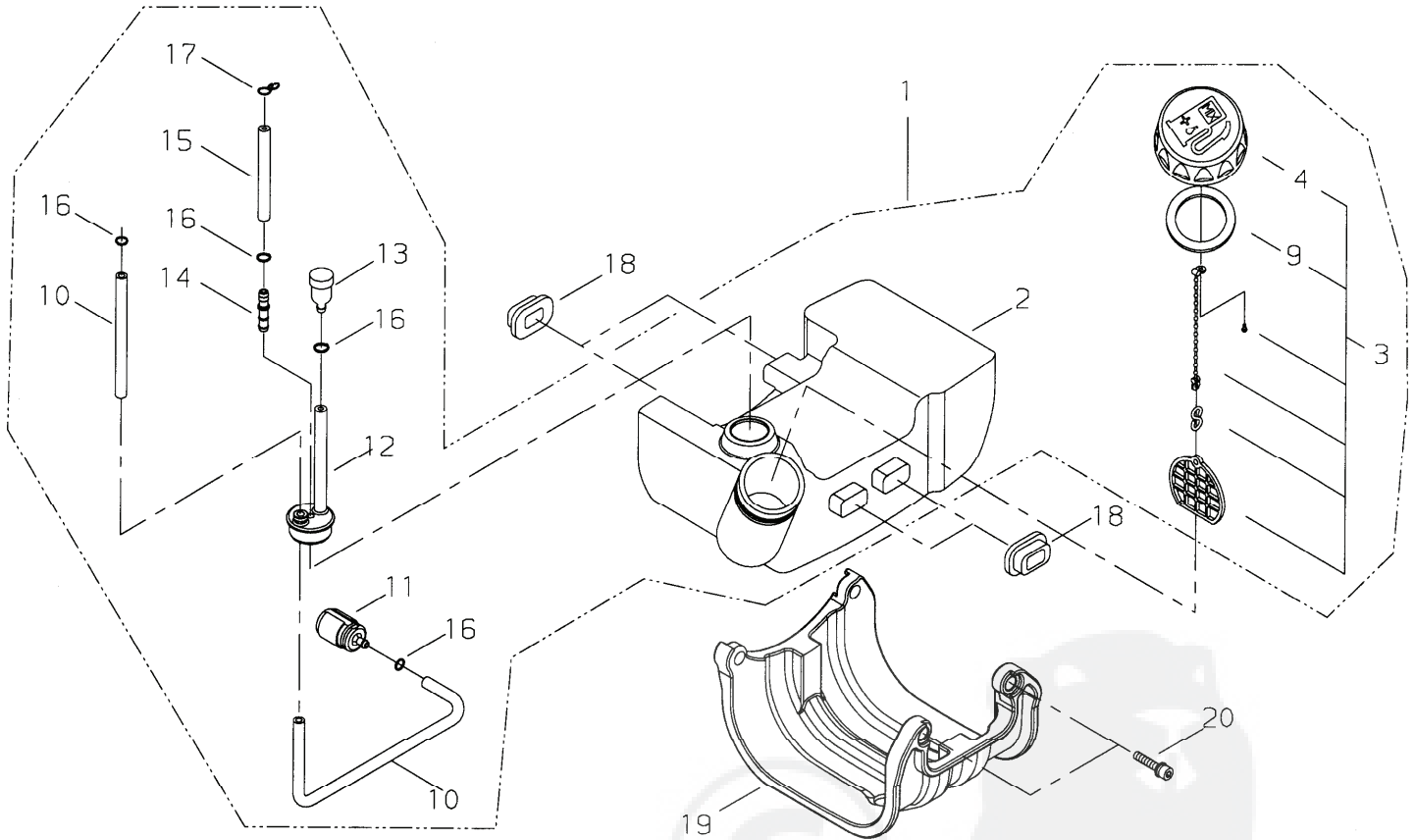
| Ref. No | Part No. | Part Name | Q'ty |
|---------|-------------|---------------------|------|
| 6-1 | 62908-81011 | CARBURETOR ASSEMBLY | 1 |
| 2 | 72933-81450 | *SWIVEL | 1 |
| 3 | 20089-81185 | *WASHER | 1 |
| 4 | 20036-81195 | *ERING | 1 |
| 5 | 70064-81290 | *SCREW | 2 |
| 6 | 37013-81350 | *PUMP BODY ASSEMBLY | 1 |
| 7 | 20016-81420 | *PUMP BASE COMP | 1 |
| 8 | 20016-81510 | *PUMP COVER | 1 |
| 9 | 20036-81670 | *PRIMER PUMP | 1 |
| 10 | 20016-81140 | *SCREW | 4 |

| Ref. No | Part No. | Part Name | Q'ty |
|---------|-------------|--------------------------|------|
| 11 | 20016-81250 | *O-RING | 1 |
| 12 | 60902-98030 | *GASKET SET | 1 |
| 13 | 60908-98360 | *VALVE SET | 1 |
| 14 | 62901-81211 | GASKET | 1 |
| 15 | 62905-82010 | AIR FILTER BASE ASSEMBLY | 1 |
| 16 | 62902-82120 | FILTER | 1 |
| 17 | 62902-82030 | CLEANER COVER ASSEMBLY | 1 |
| 18 | 62901-82131 | *CLEANER COVER | 1 |
| 19 | 62901-82330 | *KNOB AIR FILTER COVER | 1 |
| 20 | 11203-05605 | SCREW PM SW | 2 |
| 21 | 01613-05080 | WASHER | 2 |

* Denotes item is part of an assembly ** Denotes item is part of a sub-assembly

FUEL TANK

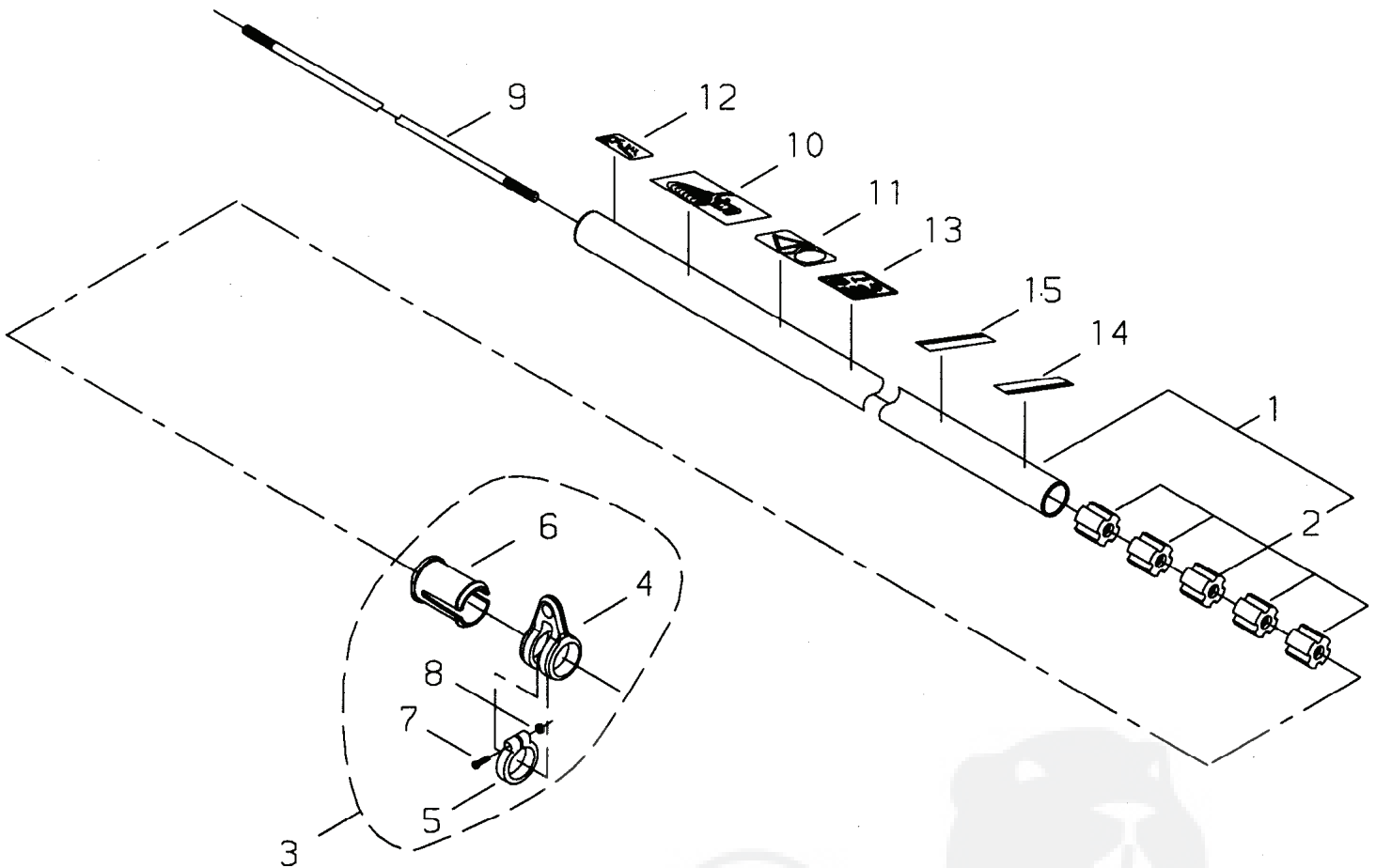
ILLUSTRATION 7 - REV 7/05



| Ref. No | Part No. | Part Name | Q'ty |
|---------|-------------|--------------------|------|
| 7-1 | 62903-85310 | FUEL TANK ASSEMBLY | 1 |
| 2 | 62901-85110 | *FUEL TANK | 1 |
| 3 | 70168-85201 | *FUEL CAP ASSEMBLY | 1 |
| 4 | 70168-85210 | **FUEL CAP | 1 |
| 9 | 20000-85221 | **GASKET | 1 |
| 10 | 62901-85310 | *FUEL PIPE | 1 |
| 11 | 20016-85400 | *FUEL FILTER | 1 |
| 12 | 20144-85350 | *GROMMET | 1 |
| 13 | 22197-33960 | *VALVE | 1 |
| 14 | 72933-85620 | *JOINT | 1 |
| 15 | 20112-85360 | *PIPE | 1 |
| 16 | 20020-85540 | *CLIP | 4 |
| 17 | 37013-85310 | *CLIP | 1 |
| 18 | 62901-85220 | TANK CUSHION | 4 |
| 19 | 62902-85320 | TANK GUARD | 1 |
| 20 | 11022-05200 | BOLT SPW | 2 |

OUTER PIPE / HANGER

ILLUSTRATION 8 - REV 7/05

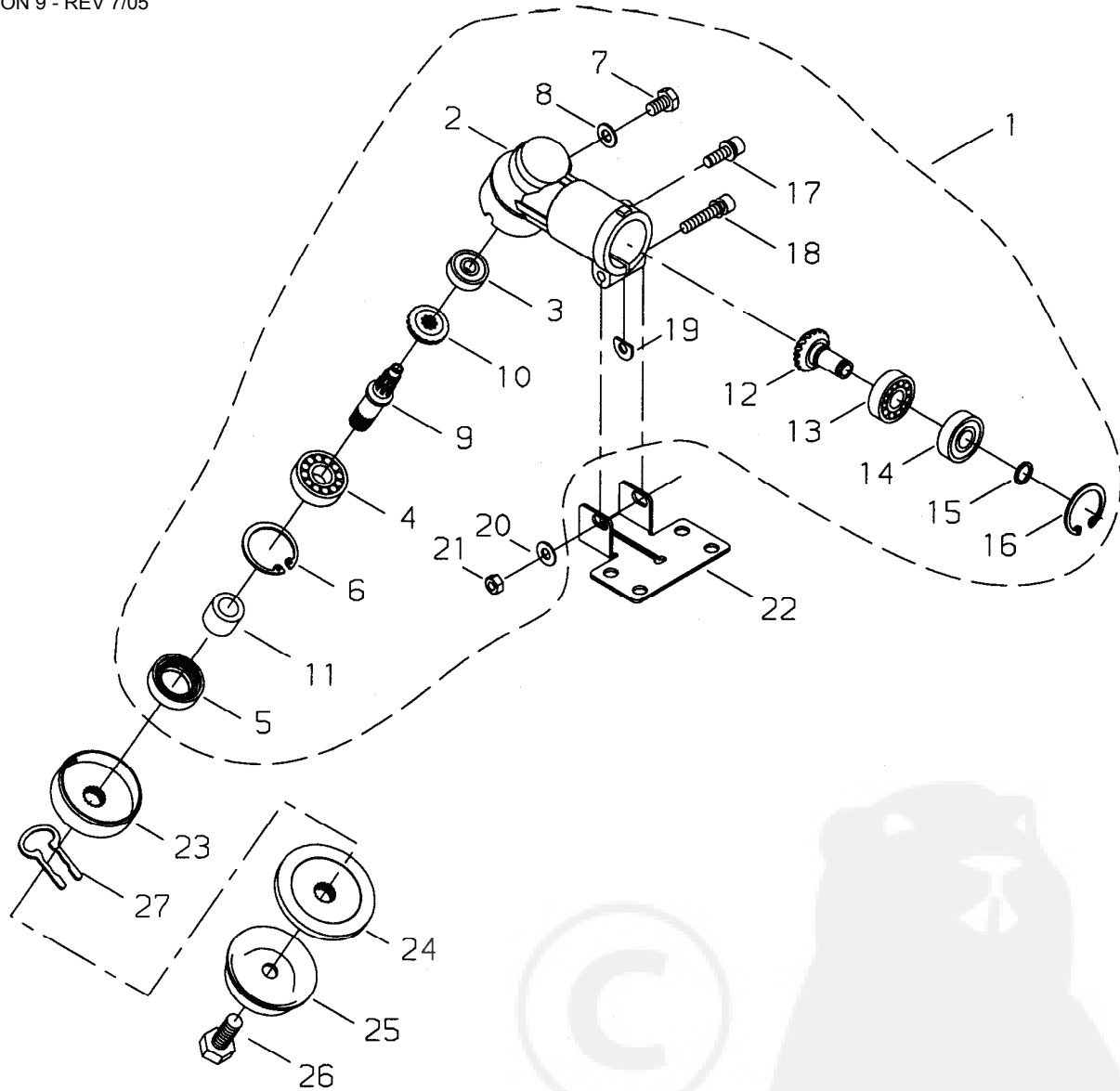


| Ref. No | Part No. | Part Name | Q'ty |
|---------|-------------|-----------------|------|
| 8-1 | 63901-62010 | OUTER PIPE COMP | 1 |
| 2 | 22035-12120 | *BUSH | 5 |
| 3 | 33008-62340 | HANGER ASSEMBLY | 1 |
| 4 | 33008-62151 | *HANGER | 1 |
| 5 | 33008-62311 | *CLAMP | 1 |
| 6 | 33008-62321 | *COLLAR | 1 |
| 7 | 11203-04160 | *SCREW PM | 1 |
| 8 | 01500-04031 | *NUT | 1 |
| 9 | 22070-12410 | MAINSHAFT | 1 |
| 10 | 19420-00084 | LABEL TRADE | 1 |
| 11 | 19402-00090 | LABEL CAUTION | 1 |
| 12 | 19402-00223 | LABEL CAUTION | 1 |
| 13 | 19404-00036 | LABEL DECIBEL | 1 |
| 14 | 72005-12140 | CAUTION PLATE | 1 |
| 15 | 72017-12150 | HANDLE LABEL | 1 |

* Denotes item is part of an assembly ** Denotes item is part of a sub-assembly

GEAR CASE

ILLUSTRATION 9 - REV 7/05

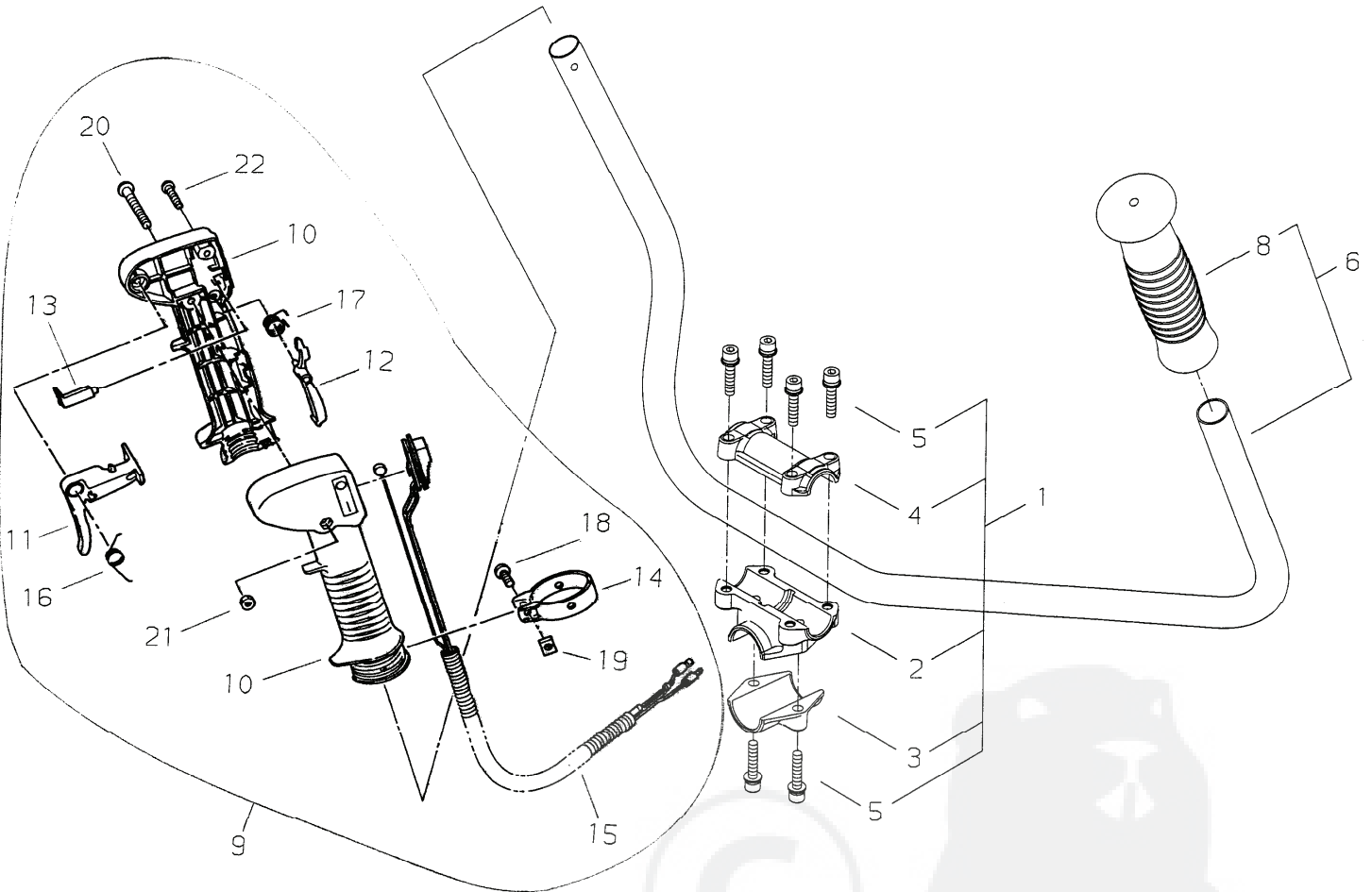


| Ref. No | Part No. | Part Name | Q'ty |
|---------|-------------|------------------------|------|
| 9-1 | 63901-63022 | GEAR CASE SUB ASSEMBLY | 1 |
| 2 | 22035-13113 | *GEAR CASE | 1 |
| 3 | 02006-00626 | *BEARING | 1 |
| 4 | 02000-06000 | *BEARING | 1 |
| 5 | 22035-13140 | *OIL SEAL | 1 |
| 6 | 02432-26120 | *SNAP RING | 1 |
| 7 | 01014-06100 | *BOLT | 1 |
| 8 | 22000-13410 | *GASKET | 1 |
| 9 | 22410-13210 | *GEAR SHAFT | 1 |
| 10 | 22035-13220 | *BEVEL GEAR | 1 |
| 11 | 22035-13230 | *COLLAR | 1 |
| 12 | 22035-13391 | *PINION SET | 1 |
| 13 | 02000-00608 | *BEARING | 1 |

| Ref. No | Part No. | Part Name | Q'ty |
|---------|-------------|-------------|------|
| 14 | 02002-00608 | *BEARING | 1 |
| 15 | 22035-13340 | *SNAP RING | 1 |
| 16 | 02432-22100 | *SNAP RING | 1 |
| 17 | 11022-05160 | *BOLT SPW | 1 |
| 18 | 11022-05350 | *BOLT SPW | 1 |
| 19 | 22000-13420 | *SHIM | 1 |
| 20 | 01613-05080 | *WASHER | 1 |
| 21 | 01500-05041 | *NUT | 1 |
| 22 | 72480-16130 | LOWER CLAMP | 1 |
| 23 | 22035-13242 | HOLDER A | 1 |
| 24 | 65011-63171 | HOLDER | 1 |
| 25 | 37013-63311 | BOLT GUARD | 1 |
| 26 | 22035-13271 | BOLT | 1 |
| 27 | 22410-13530 | SLIDE CLIP | 1 |

THROTTLE LEVER

ILLUSTRATION 10 - REV 7/05



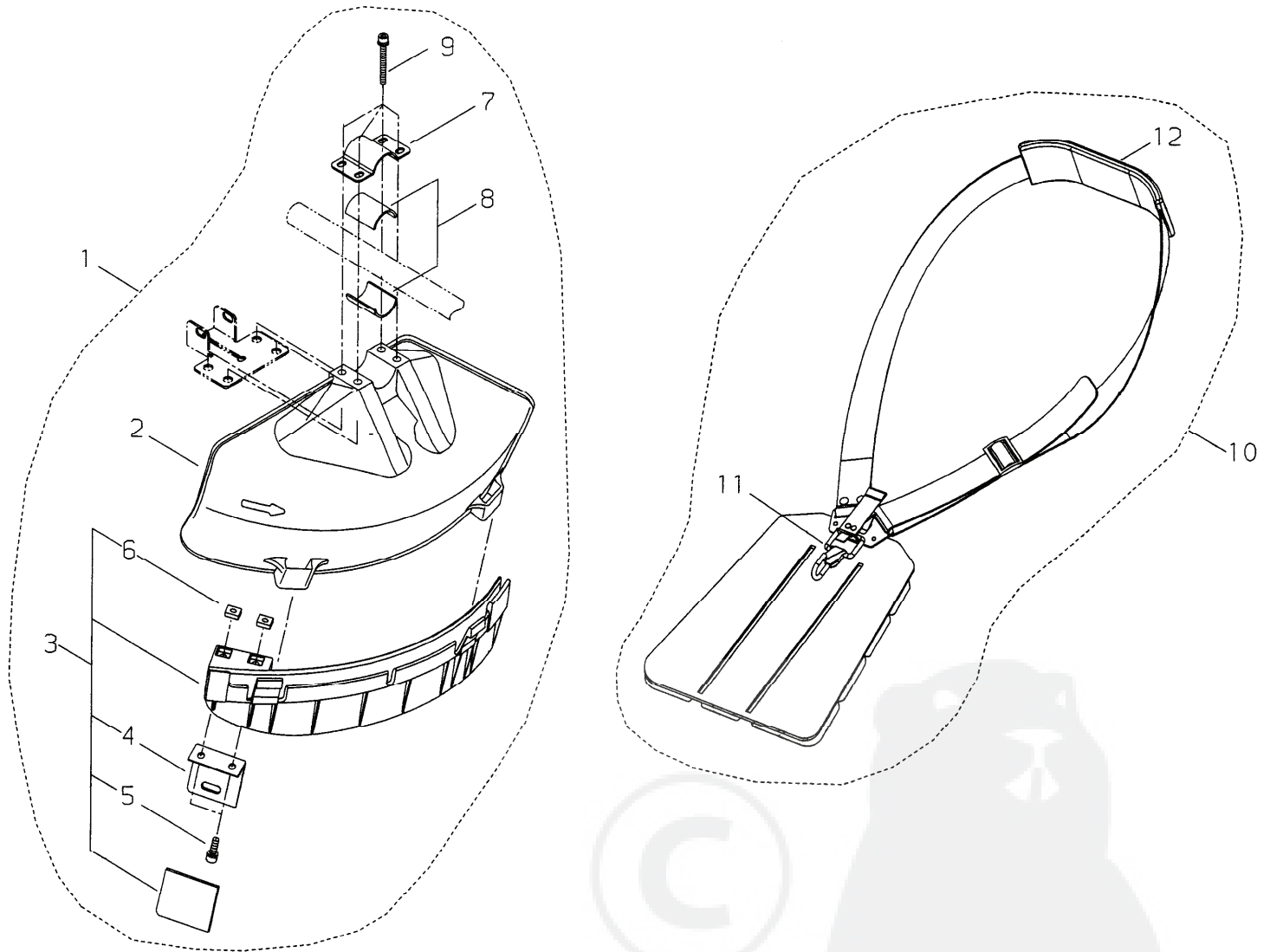
| Ref. No | Part No. | Part Name | Q'ty |
|---------|-------------|---------------------|------|
| 10- 1 | 34004-64020 | BRACKET ASSEMBLY | 1 |
| 2 | 34004-64110 | *BRACKET | 1 |
| 3 | 34004-64120 | *LOWER CAP | 1 |
| 4 | 34004-64130 | *UPPER CAP | 1 |
| 5 | 11022-05250 | *BOLT SPW | 6 |
| 6 | 72529-14200 | HANDLE SUB ASSEMBLY | 1 |
| 8 | 22421-14230 | *GRIP | 1 |
| 9 | 64012-64250 | THROTTLE LEVER | 1 |
| 10 | 72431-14600 | *BODY SUB ASSEMBLY | 1 |
| 11 | 72451-14530 | *LEVER | 1 |
| 12 | 72451-14540 | *LOCK LEVER | 1 |

| Ref. No | Part No. | Part Name | Q'ty |
|---------|-------------|----------------------|------|
| 13 | 72451-14550 | *BUTTON | 1 |
| 14 | 72451-14560 | *CLAMP | 1 |
| 15 | 64012-64310 | *THROTTLE CABLE COMP | 1 |
| 16 | 72451-14580 | *RETURN SPRING | 1 |
| 17 | 72451-14590 | *SPRING | 1 |
| 18 | 01020-06200 | *BOLT | 1 |
| 19 | 72451-14610 | *NUT | 1 |
| 20 | 11203-05350 | *SCREW PM | 1 |
| 21 | 72451-14630 | *NUT | 1 |
| 22 | 72451-14620 | *SCREW TAPPING | 1 |

* Denotes item is part of an assembly ** Denotes item is part of a sub-assembly

GUARD SET / STRAP

ILLUSTRATION 11 - REV 7/05

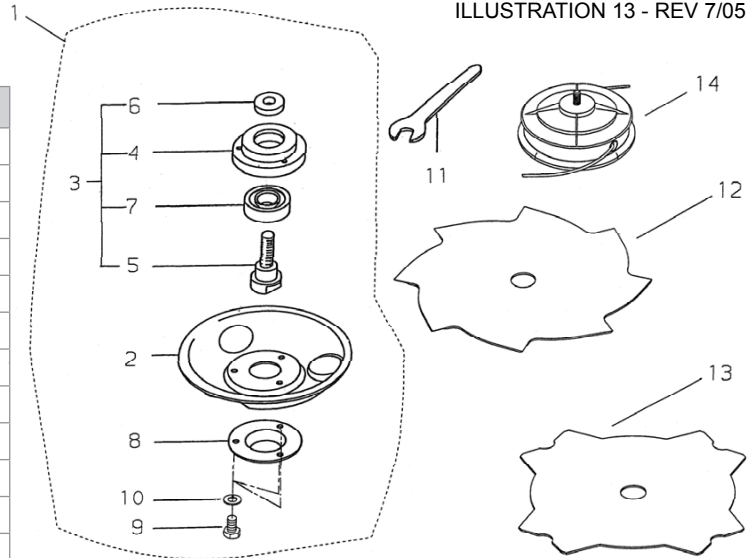


| Ref. No | Part No. | Part Name | Q'ty |
|---------|-------------|---------------------|------|
| 11- 1 | 62903-66321 | GUARD SET | 1 |
| 2 | 62903-66110 | *GUARD | 1 |
| 3 | 62903-66331 | *SUB GUARD ASSEMBLY | 1 |
| 4 | 72480-16121 | **CUTTER | 1 |
| 5 | 11020-05160 | **BOLT SW | 2 |
| 6 | 22420-16120 | **NUT | 2 |
| 7 | 72480-16210 | *UPPER CLAMP | 1 |
| 8 | 72480-16220 | *SPACER | 2 |
| 9 | 11022-05450 | *BOLT SPW | 4 |
| 10 | 72474-17201 | STRAP ASSEMBLY | 1 |
| 11 | 22421-17130 | *HOOK | 1 |
| 12 | 22007-17220 | *PROTECTOR | 1 |

STABILIZER / SAWS / TRIMMER HEAD

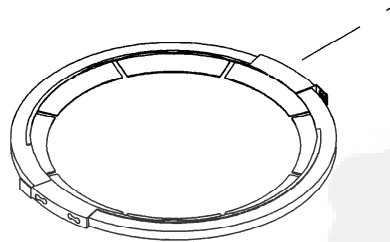
ILLUSTRATION 13 - REV 7/05

| Ref. No | Part No. | Part Name | Q'ty |
|---------|-------------|-----------------------|------|
| 13- 1 | 22036-15300 | STABILIZER ASSEMBLY | 1 |
| 2 | 22013-15310 | *STABILIZER | 1 |
| 3 | 22036-15380 | *HOLDER COMP | 1 |
| 4 | 22013-15320 | **HOLDER | 1 |
| 5 | 22036-15331 | **BEARING SHAFT | 1 |
| 6 | 22013-15340 | **WASHER | 1 |
| 7 | 02002-06001 | **BEARING | 1 |
| 8 | 22013-15350 | *SHAFT COVER | 1 |
| 9 | 01010-05105 | *BOLT | 3 |
| 10 | 01600-05131 | *SPRING WASHER | 3 |
| 11 | 09011-13006 | SPANNER | 1 |
| 12 | 60903-98310 | EDDY SAW | 1 |
| 13 | 60903-98320 | CROSS SAW | 1 |
| 14 | 67000-65010 | TRIMMER HEAD ASSEMBLY | 1 |



BLADE COVER

ILLUSTRATION 14 - REV 7/05

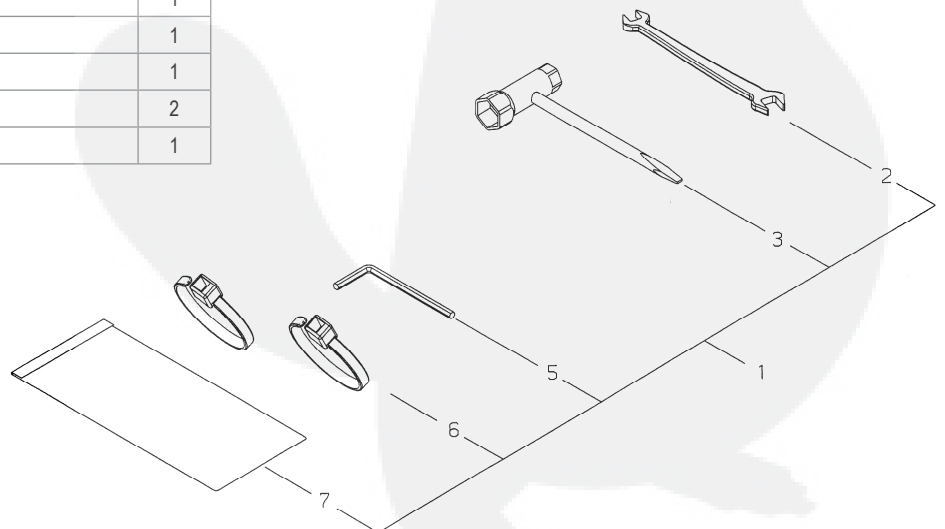


| Ref. No | Part No. | Part Name | Q'ty |
|---------|-------------|-------------|------|
| 14- 1 | 22550-92310 | BLADE COVER | 1 |

TOOL SET

ILLUSTRATION 12 - REV 7/05

| Ref. No | Part No. | Part Name | Q'ty |
|---------|-------------|----------------|------|
| 12- 1 | 62906-92310 | TOOLSET | 1 |
| 2 | 22000-91120 | *SPANNER | 1 |
| 3 | 22580-91180 | *PLUG WRENCH | 1 |
| 5 | 09026-04001 | *HEXAWRENCH5MM | 1 |
| 6 | 72431-12190 | *BAND | 2 |
| 7 | 19639-01400 | *TOOL BAG | 1 |



* Denotes item is part of an assembly ** Denotes item is part of a sub-assembly



shindaiwa

www.shindaiwa.com

11975 SW Herman Road, Tualatin, Oregon 97062, U.S.A.

1 + 503.692.3070 • fax 1 + 503.692.6696 •

Item #xxxx Effective 07/05