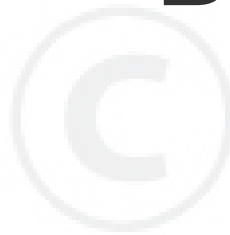


shindaiwa[®]

PARTS CATALOG

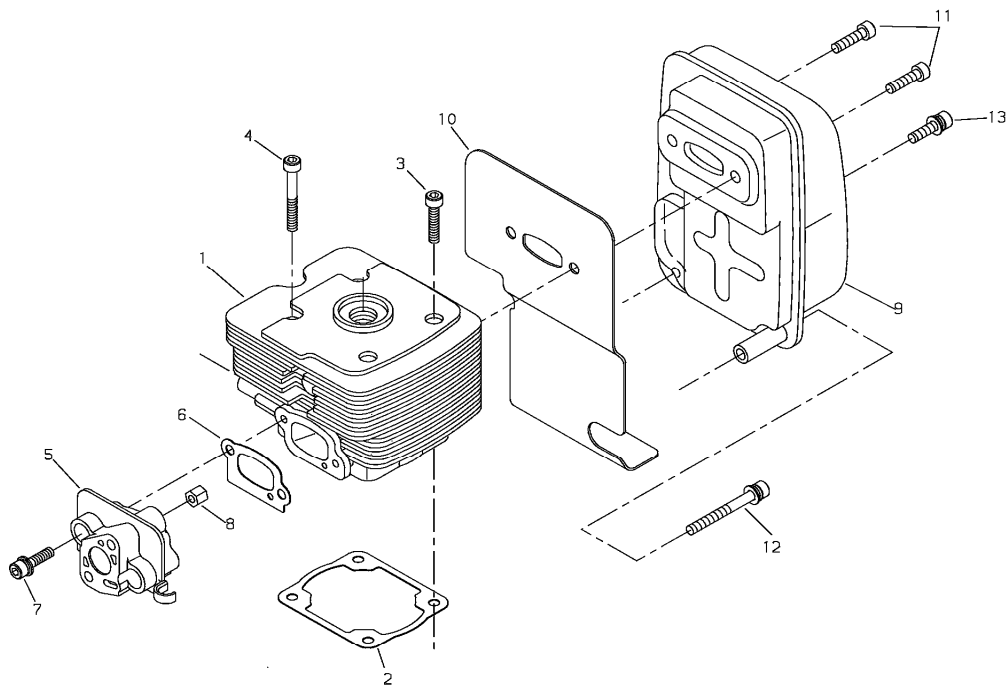
BRUSHCUTTER

BP530 EC1



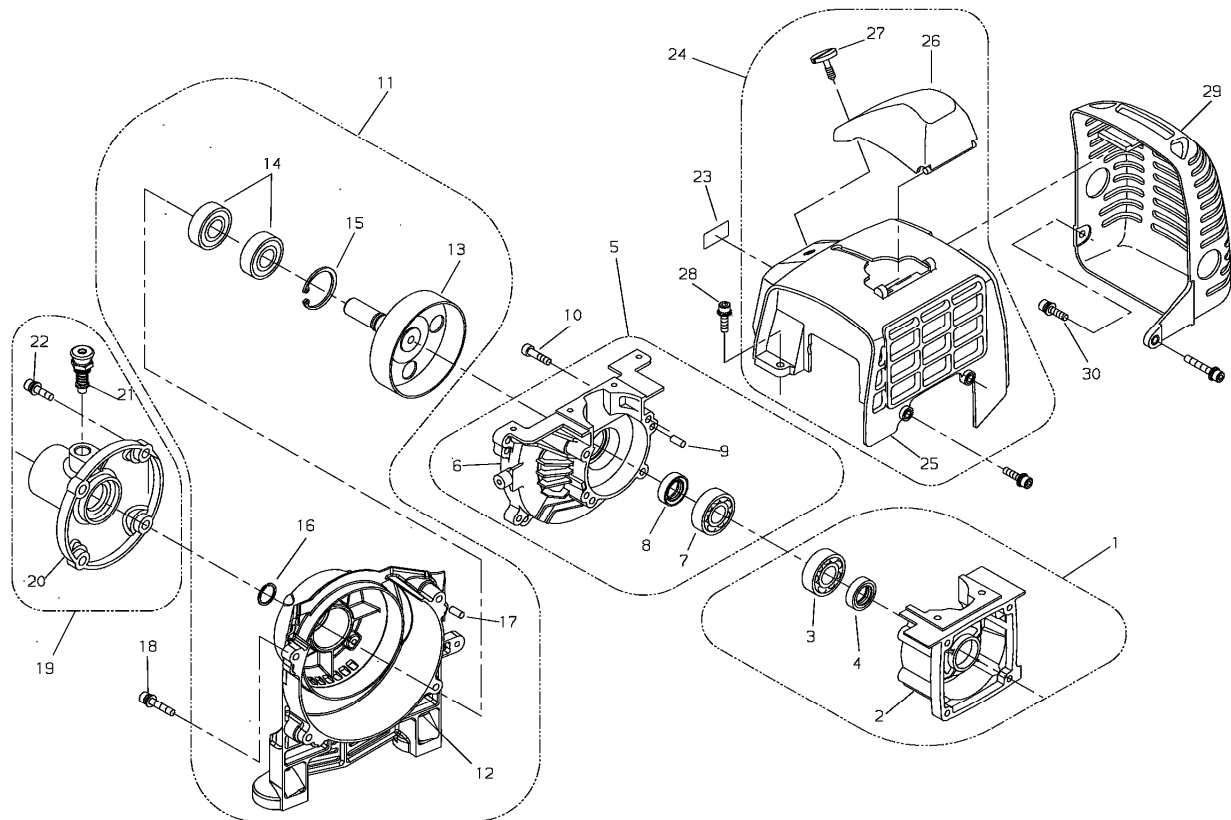
BP530 EC1

1. CYLINDER, MUFFLER



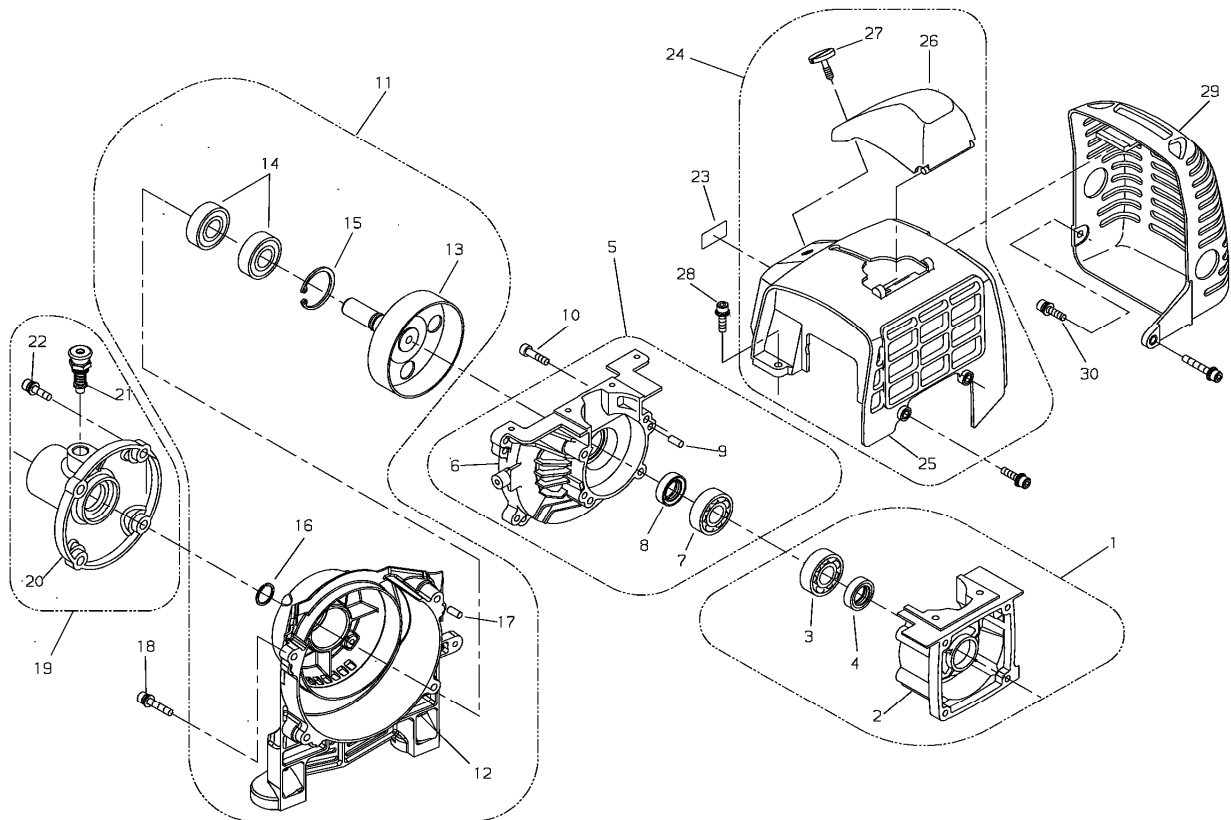
KEY	LV	PART NUMBER	Q'TY	DESCRIPTION	REMARKS	NOTE1	NOTE2
1		62035-12111	1	CYLINDER			
2		62035-12120	1	GASKET CYLINDER			
3		01020-05250	3	BOLT		M5x25	
4		01020-05350	1	BOLT		M5x35	
5		62035-12210	1	INSULATOR			
6		62035-12220	1	GASKET			
7		11022-05300	2	BOLT SW		M5x30(SW,PW)	
8		20024-12260	2	NUT		M5	
9		62083-15110	1	MUFFLER			
10		62035-15210	1	GASKET MUFFLER			
11		01020-06250	2	BOLT		M6x25	
12		11022-05450	1	BOLT SPW		M5x45(SW,PW)	
13		11022-05160	1	BOLT SPW		M5x16(SW,PW)	

2. CRANKCASE, FANCOVER



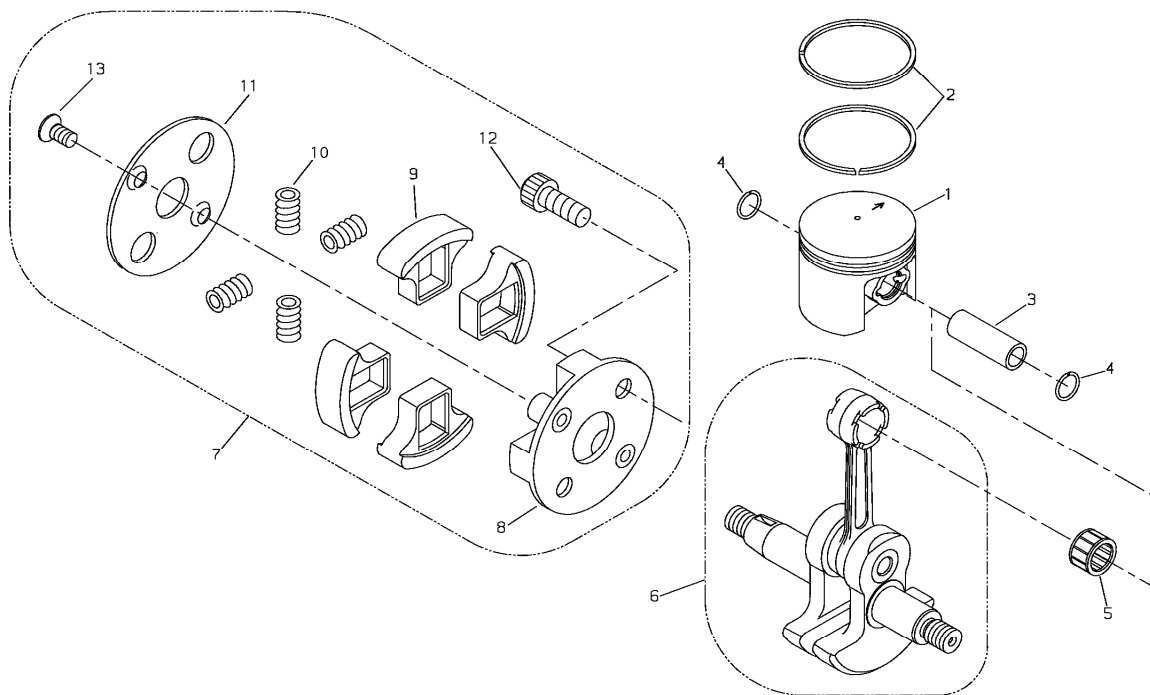
KEY	LV	PART NUMBER	Q'TY	DESCRIPTION	REMARKS	NOTE1	NOTE2
1		62035-21010	1	CRANK CASE S COMP			
2	▪	62035-21110	1	CRANK CASE S			
3	▪	02030-06202	1	BEARING			
4	▪	20010-21211	1	OIL SEAL			
5		62035-21020	1	CRANK CASE M COMP			
6	▪	62035-21210	1	CRANK CASE M			
7	▪	02030-06202	1	BEARING			
8	▪	20010-21211	1	OIL SEAL			
9	▪	12492-50100	2	ROLLER		5x10	
10		01020-05300	4	BOLT		M5x30	
11		62083-31012	1	FAN COVER COMP			
12	▪	62083-31111	1	FAN COVER			
13	▪	62083-31210	1	CLUTCH DRUM			
14	▪	02006-06202	2	BEARING		6202DDU	
15	▪	02432-35150	1	SNAP RING		35mm C	
16	▪	20011-31230	1	SNAP RING			
17	▪	12492-50100	3	ROLLER		5x10	
18		11022-05300	4	BOLT SW		M5x30(SW,PW)	
19		62083-35010	1	JOINT CASE ASSY			
20	▪	20051-35130	1	JOINT CASE			
21	▪	20112-35200	1	PIN COMP			
22	▪	11022-05200	4	BOLT SPW		M5x20(SW,PW)	
23		62083-91320	1	LABEL TRADE			
24		62035-32012	1	CYLINDER COVER COMP			
25	▪	62035-32112	1	CYLINDER COVER			
26	▪	62035-32310	1	PLUG COVER			

2. CRANKCASE, FANCOVER



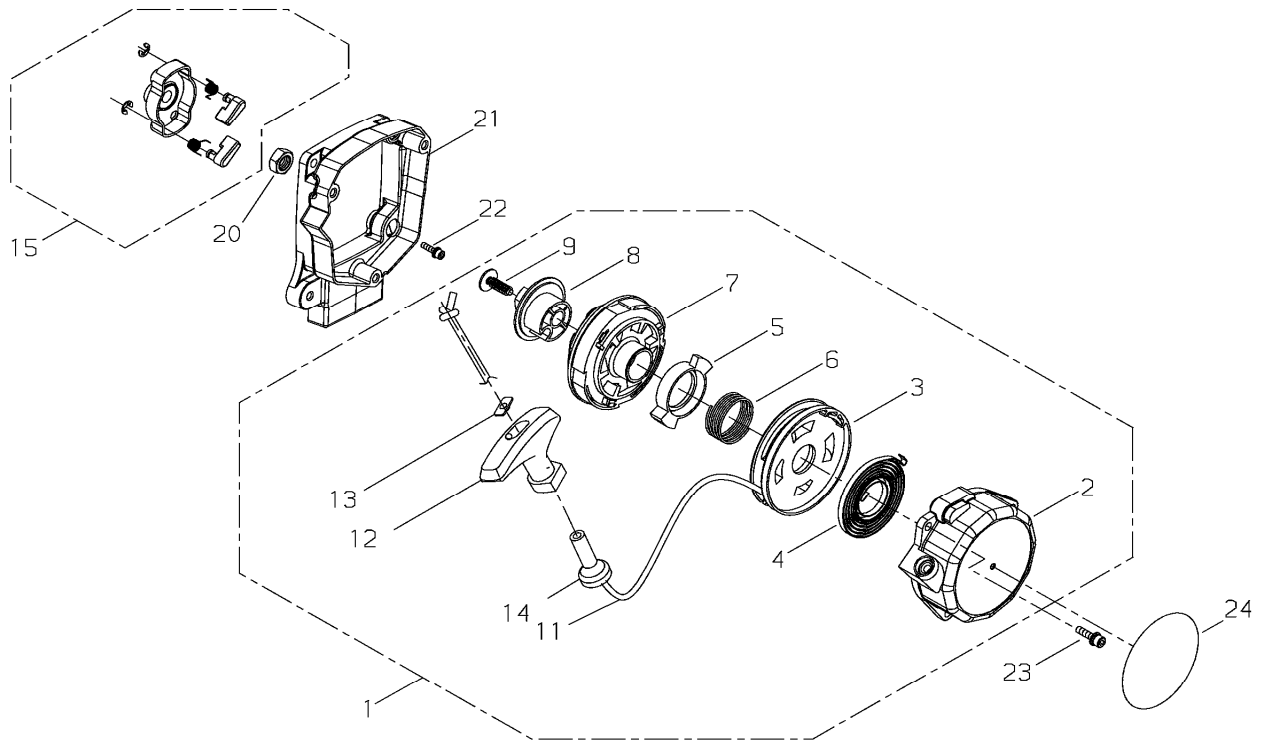
KEY	LV	PART NUMBER	Q'TY	DESCRIPTION	REMARKS	NOTE1	NOTE2
27	•	62035-32320	1	KNOB		M5	
28		11022-05160	2	BOLT SPW		M5x16(SW,PW)	
29		62036-32311	1	MUFFLER COVER			
30		11022-05160	1	BOLT SPW		M5x16(SW,PW)	

3. PISTON, CRANKSHAFT, CLUTCH



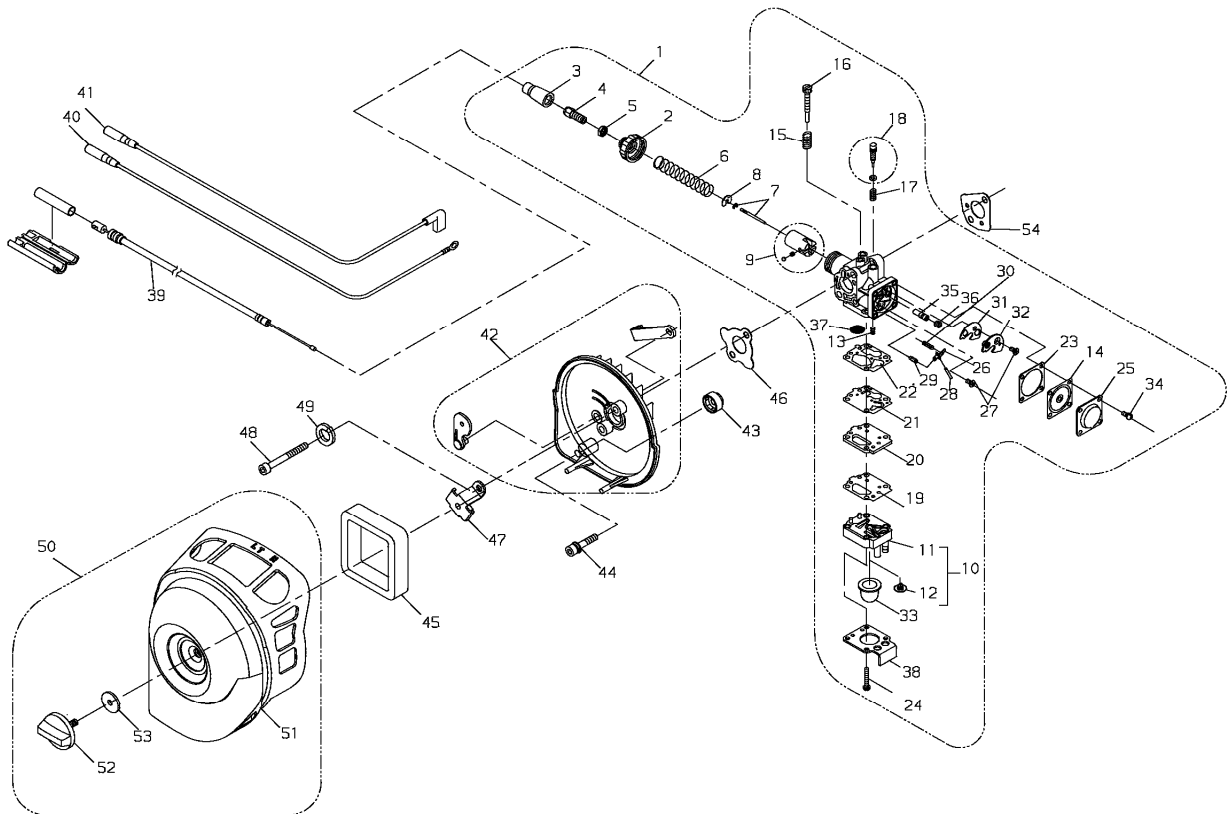
KEY	LV	PART NUMBER	Q'TY	DESCRIPTION	REMARKS	NOTE1	NOTE2
1		62035-41110	1	PISTON			
2		62035-41120	2	PISTON RING			
3		62035-41210	1	PISTON PIN			
4		22152-41231	2	SNAP RING			
5		22150-41280	1	NEEDLE BEARING			
6		62035-42010	1	CRANK SHAFT			
7		70210-51100	1	CLUTCH SHOE ASSY			
8	•	20020-51112	1	CLUTCH BOSS			
9	•	20020-51121	4	CLUTCH SHOE			
10	•	20020-51131	4	SPRING			
11	•	20020-51140	1	PLATE			
12	•	20020-51150	2	CLUTCH BOLT		M8x15.2	
13	•	70210-51160	2	SCREW FLAT		M5x16	

5. RECOIL STARTER



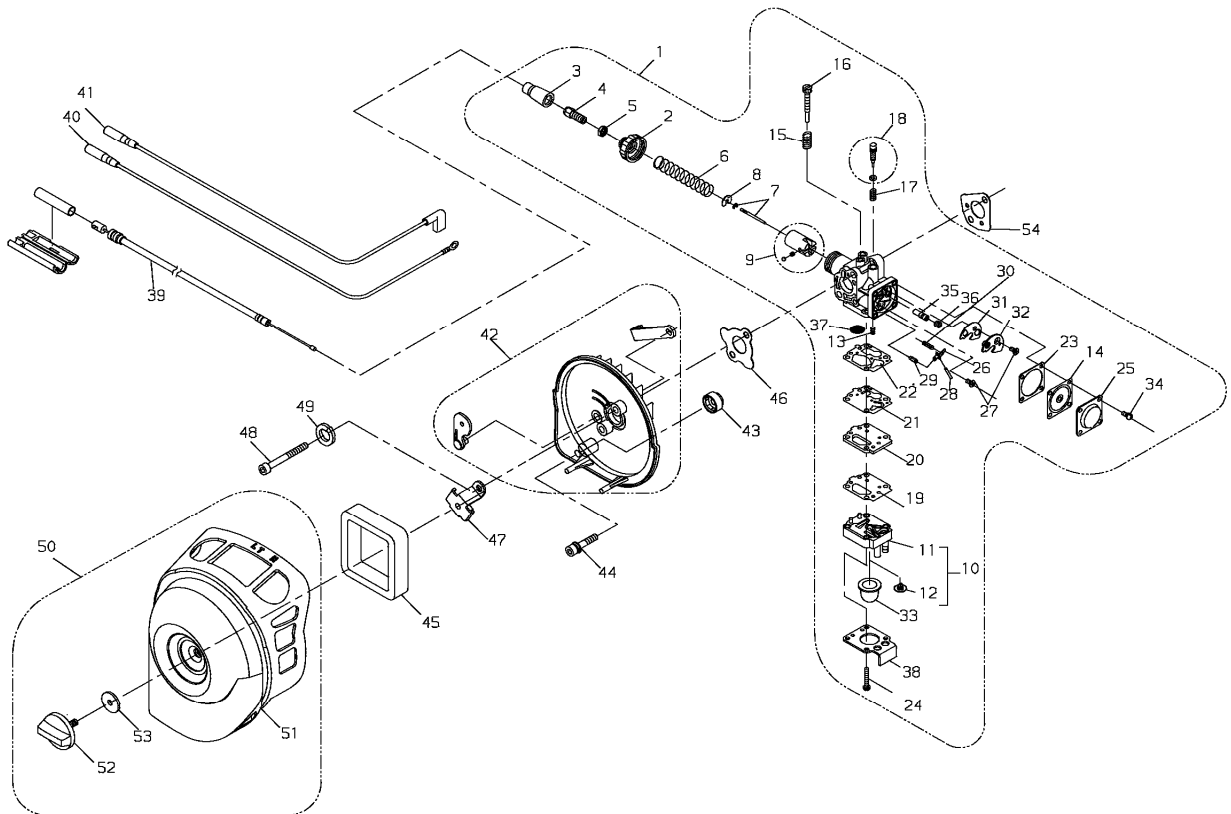
KEY	LV	PART NUMBER	Q'TY	DESCRIPTION	REMARKS	NOTE1	NOTE2
1		62083-75010	1	RECOIL STARTER ASSY			
2	•	62083-75110	1	STARTER CASE			
3	•	62083-75120	1	REEL			
4	•	62083-75130	1	RECOIL SPRING			
5	•	62083-75320	1	RATCHET			
6	•	62083-75330	1	COIL SPRING			
7	•	62083-75340	1	POWER SPRING			
8	•	62083-75350	1	CAM PLATE			
9	•	62083-75360	1	SCREW PM PW			
11	•	62083-75140	1	ROPE			
12	•	22104-75420	1	KNOB RECOIL			
13	•	20010-75210	1	STOPPER			
14	•	20112-75180	1	SPACER			
15		62083-75020	1	STARTER PULLEY ASSY			
20		62083-75380	1	NUT		M10	
21		62083-75311	1	ADAPTER			
22		11022-05250	4	BOLT SPW		M5x25 (SW,PW)	
23		11060-05163	3	BOLT ADHESIVE		M5x16 (SW,PW)	
24		19420-00027	1	LABEL TRADE			

6. CARBURETOR, AIR CLEANER



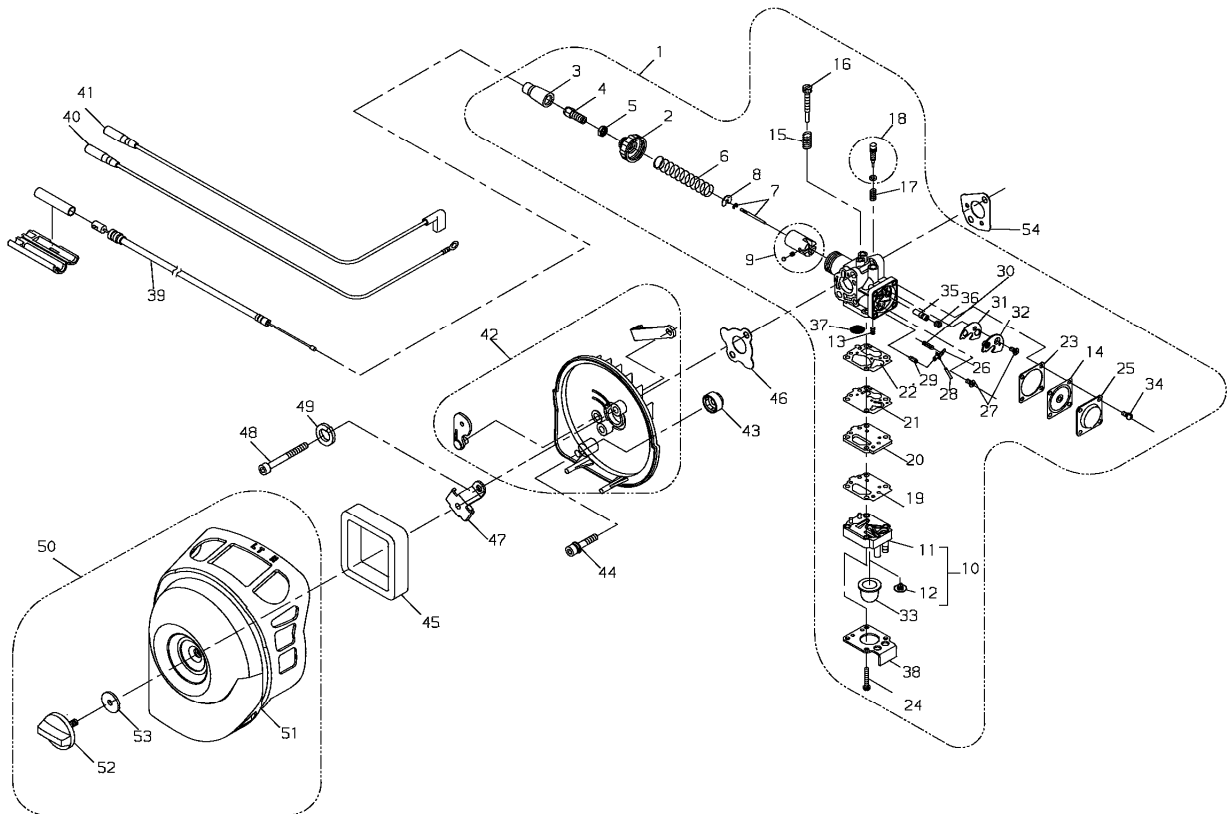
KEY	LV	PART NUMBER	Q'TY	DESCRIPTION	REMARKS	NOTE1	NOTE2
1		62109-81010	1	CARBURETOR ASSY			
2	▪	62083-81310	1	BODY CAP			
3	▪	20005-83160	1	CABLE CAP			
4	▪	62083-81330	1	CABLE ADJUSTER			
5	▪	20000-81260	1	LOCK NUT			
6	▪	20020-81140	1	SPRING			
7	▪	62109-81320	1	JET NEEDLE			
8	▪	20020-81150	1	SPRING RECIEVE			
9	▪	62035-81330	1	THROTTLE VALVE			
10	▪	62035-81340	1	PUMP COVER ASSY			
11	▪▪	62035-81350	1	PUMP COVER			
12	▪▪	68501-81340	1	VALVE			
13	▪	62035-81360	1	SPRING			
14	▪	62035-81410	1	DIAPHRAGM			
15	▪	20011-81360	1	SPRING			
16	▪	62109-81330	1	MAIN ADJ SCREW			
17	▪	72920-81820	1	SPRING			
18	▪	20000-81310	1	SLOW STOP SCREW			
19	▪	20019-81660	1	GASKET			
20	▪	20019-81610	1	PUMP PLATE			
21	▪	20019-81620	1	DIAPHRAGM PUMP			
22	▪	20019-81630	1	GASKET			
23	▪	62035-81370	1	GASKET			
24	▪	62035-81380	4	SCREW			
25	▪	20019-81670	1	COVER DIAPHRAGM			
26	▪	20011-81451	1	LEVER			

6. CARBURETOR, AIR CLEANER



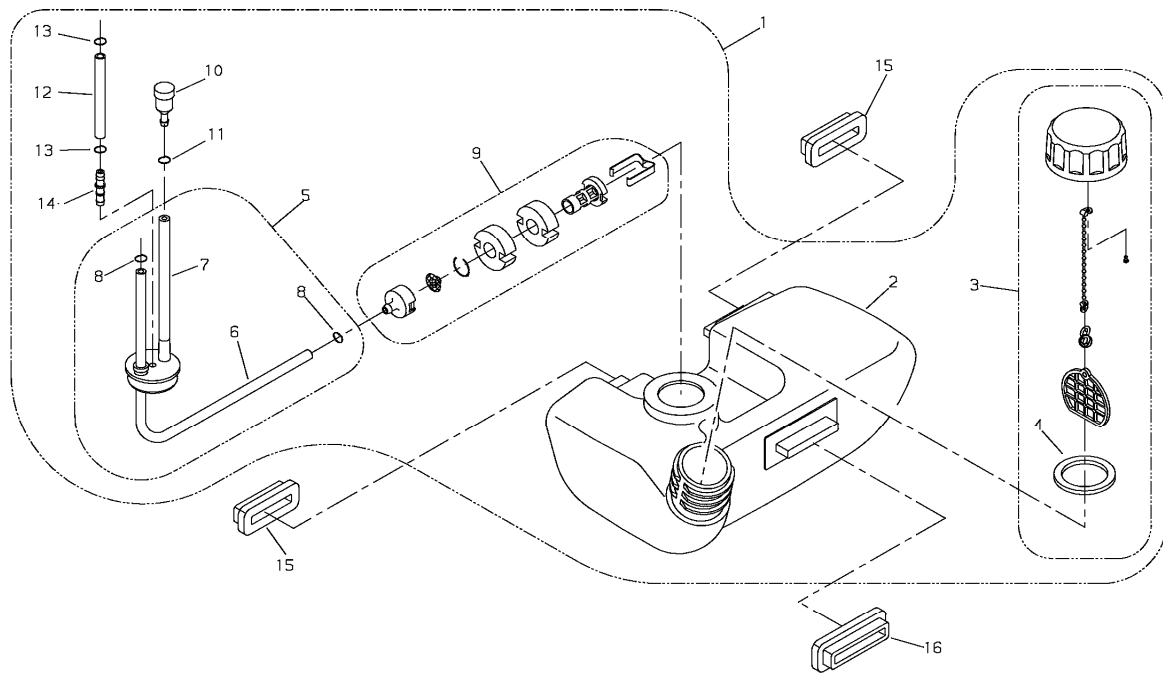
KEY	LV	PART NUMBER	Q'TY	DESCRIPTION	REMARKS	NOTE1	NOTE2
27	•	20011-81470	2	SCREW			
28	•	20011-81460	1	PIN			
29	•	20019-81440	1	NEEDLE VALVE			
30	•	20040-81430	1	SPRING			
31	•	70210-81440	1	PACKING			
32	•	70210-81451	1	PLATE			
33	•	20087-81820	1	PUMP			
34	•	20000-81540	4	SCREW			
35	•	62035-81420	1	NEEDLE JET			
36	•	70210-81420	1	HOLDER			
37	•	68501-81480	1	SCREEN			
38	•	62035-81390	1	PUMP PLATE			
39		62060-83110	1	THROTTLE CABLE			
40		14352-11900	1	LEAD WIRE			
41		14350-11601	1	LEAD WIRE			
42		62035-82011	1	CLEANER BODY COMP			
43		62035-82362	1	INSULATOR			
44		11022-05400	1	BOLT SW		M5x40(SW,PW)	
45		62083-82120	1	FILTER			
46		62035-82330	1	GASKET			
47		62035-82340	1	BACK PLATE			
48		01020-05750	2	BOLT		M5x75	
49		01600-05131	2	SPRING WASHER		M5	
50		62083-82041	1	CLEANER COVER COMP			
51	•	62083-82131	1	CLEANER COVER			
52	•	20870-33120	1	KNOB		M5	

6. CARBURETOR, AIR CLEANER



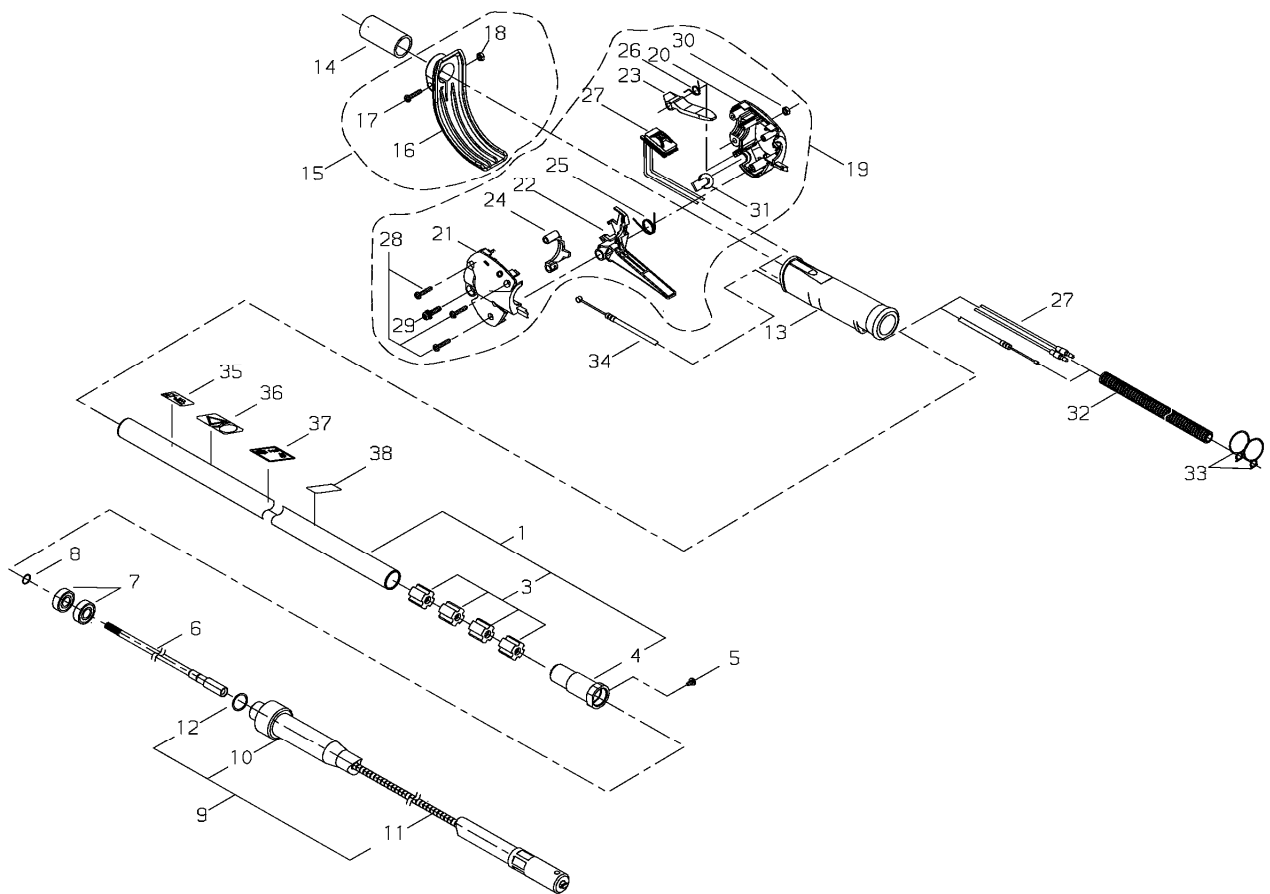
KEY	LV	PART NUMBER	Q'TY	DESCRIPTION	REMARKS	NOTE1	NOTE2
53	•	62035-82350	1	WASHER			
54		62035-81310	1	GASKET			

7. FUEL TANK



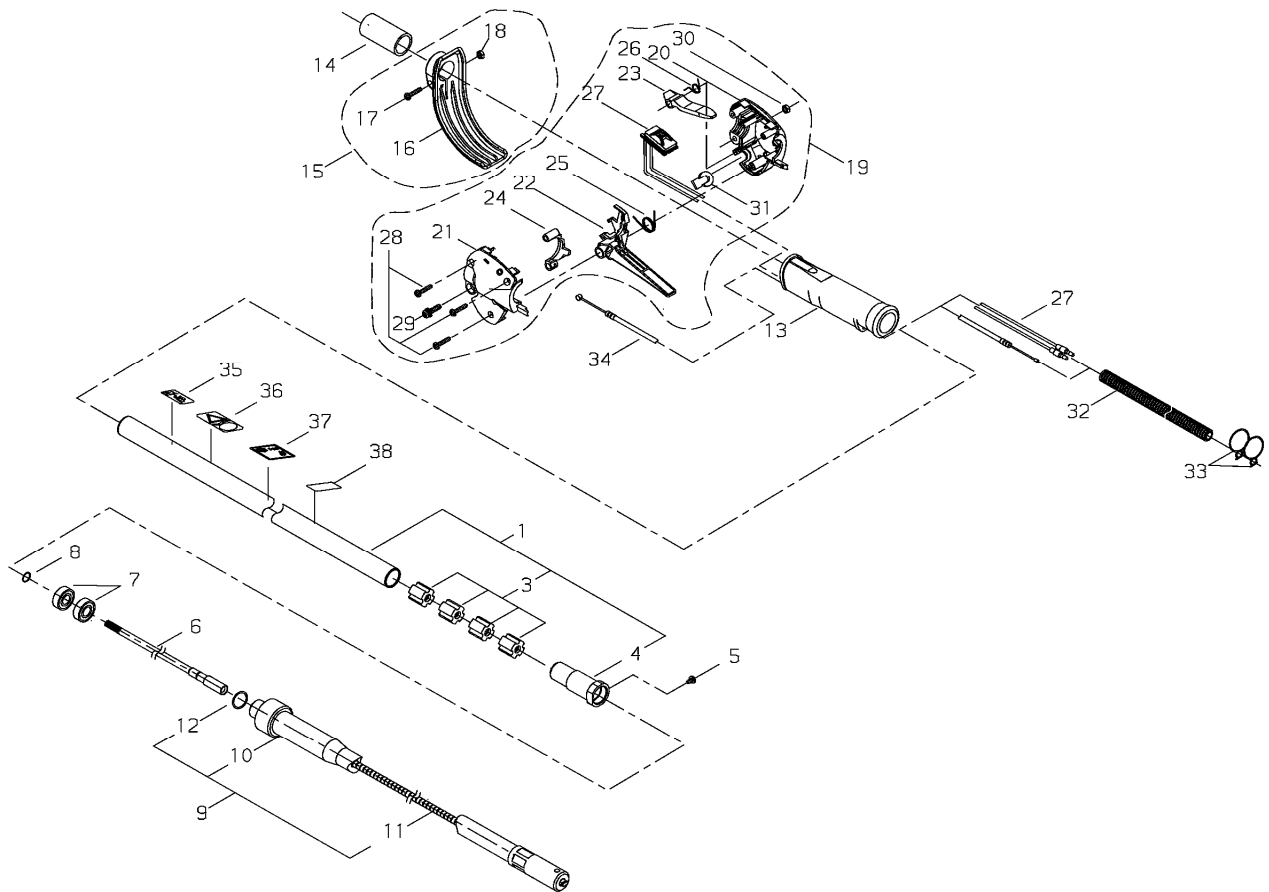
KEY	LV	PART NUMBER	Q'TY	DESCRIPTION	REMARKS	NOTE1	NOTE2
1		A038-000330	1	FUEL TANK ASSY			
2	•	62035-85111	1	FUEL TANK			
3	•	70168-85201	1	FUEL CAP ASSY			
4	• •	20000-85221	1	GASKET			
5	•	62035-85031	1	FUEL PIPE ASSY			
6	• •	62035-85310	1	FUEL PIPE			
7	• •	62035-85321	1	GROMMET			
8	• •	20020-85540	2	CLIP			
9	•	22169-35400	1	FUEL FILTER SUB ASSY			
10	•	22197-33960	1	VALVE			
11	•	20020-85540	1	CLIP			
12	•	20140-83311	1	PIPE			
13	•	20020-85540	2	CLIP			
14	•	72933-85620	1	JOINT			
15		62035-85341	2	TANK CUSHION			
16		62035-85351	1	TANK CUSHION			

8. OUTER PIPE, THROTTLE LEVER



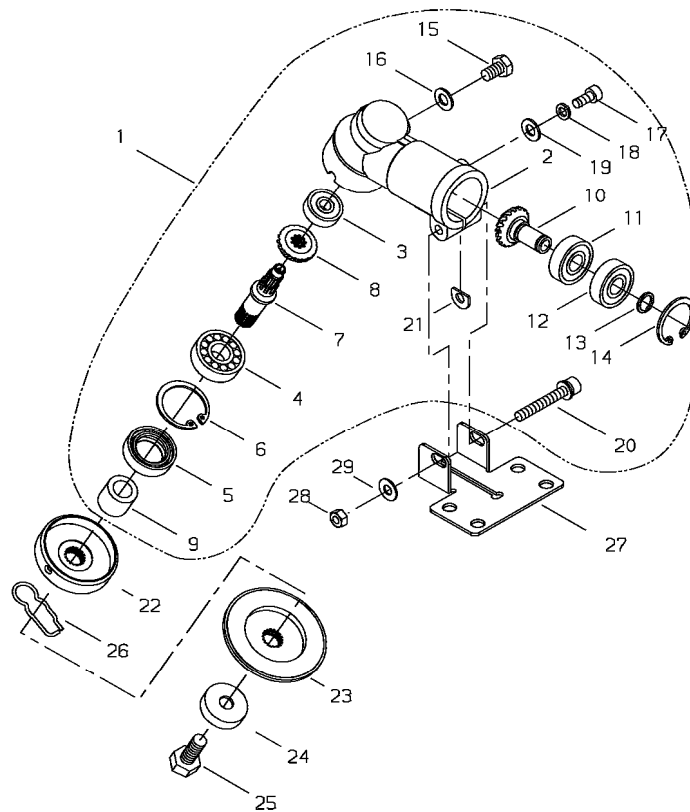
KEY	LV	PART NUMBER	Q'TY	DESCRIPTION	REMARKS	NOTE1	NOTE2
1		63049-62010	1	OUTER PIPE COMP			
3	▪	63049-62120	4	BUSH			
4	▪	72517-12130	1	JOINT PIPE			
5		22056-12340	1	SCREW			
6		63049-62211	1	MAIN SHAFT			
7		02002-06900	2	BEARING		6900ZZ	
8		02430-10100	1	SNAP RING		10mm C	
9		63049-61010	1	FLEXIBLE CABLE ASSY			
10	▪	63049-61110	1	FLEXIBLE PIPE			
11	▪	63049-61120	1	FLEXIBLE SHAFT			
12	▪	22056-11140	1	O RING			
13		63043-62140	1	GRIP			
14		63000-62311	1	PROTECTOR			
15		72517-62331	1	GUARD ASSY			
16	▪	72517-62341	1	GUARD			
17	▪	11206-05250	1	SCREW PM SPW		M5x25(SW,PW)	
18	▪	01500-05041	1	NUT	M5	M5 MFZN III-C	
19		63049-62310	1	THROTTLE LEVER ASSY			
20	▪	63043-62310	1	BODY RIGHT			
21	▪	63000-62350	1	BODY LEFT			
22	▪	63002-62340	1	LEVER			
23	▪	63901-62352	1	LOCK LEVER			
24	▪	63002-62350	1	HOLDER			
25	▪	63880-65350	1	COIL SPRING			
26	▪	63901-62370	1	COIL SPRING			
27	▪	63049-62320	1	SWITCH			

8. OUTER PIPE, THROTTLE LEVER



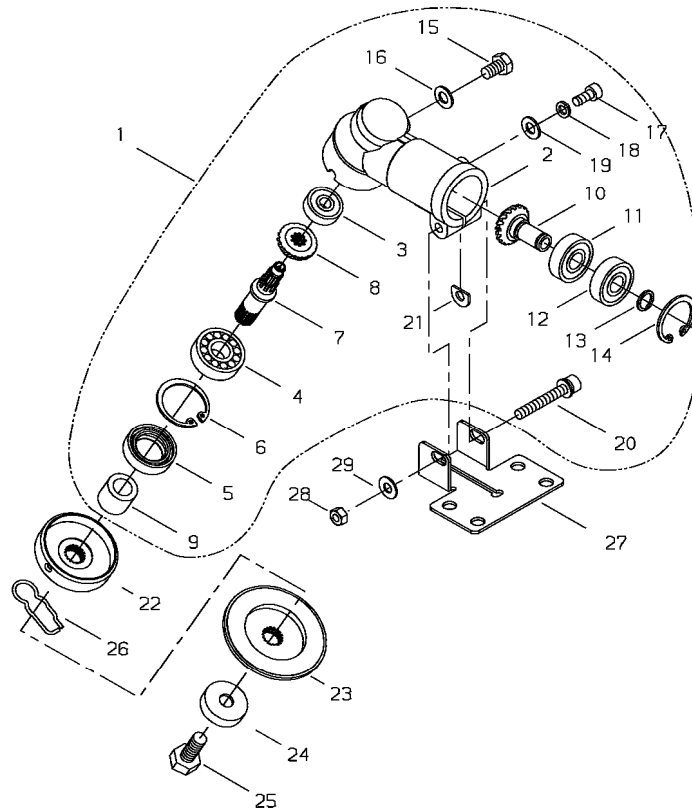
KEY	LV	PART NUMBER	Q'TY	DESCRIPTION	REMARKS	NOTE1	NOTE2
28	•	63880-65360	3	SCREW TAPPING			
29	•	11206-05201	1	SCREW PM SPW		M5x20(SW,PW)	
30	•	01501-05030	1	NUT	M5	M5	
31	•	63880-65411	1	PLUG			
32		63049-62330	1	TUBE			
33		63049-62340	2	HOLDER			
34		63049-62170	1	THROTTLE CABLE			
35		19402-00223	1	LABEL CAUTION		MAX 8500min-1	
36		19422-00010	1	LABEL CAUTION			
37		19404-00039	1	LABEL DECIBEL		114db (A)	
38		72017-12150	1	HANDLE LABEL			

9. GEAR CASE



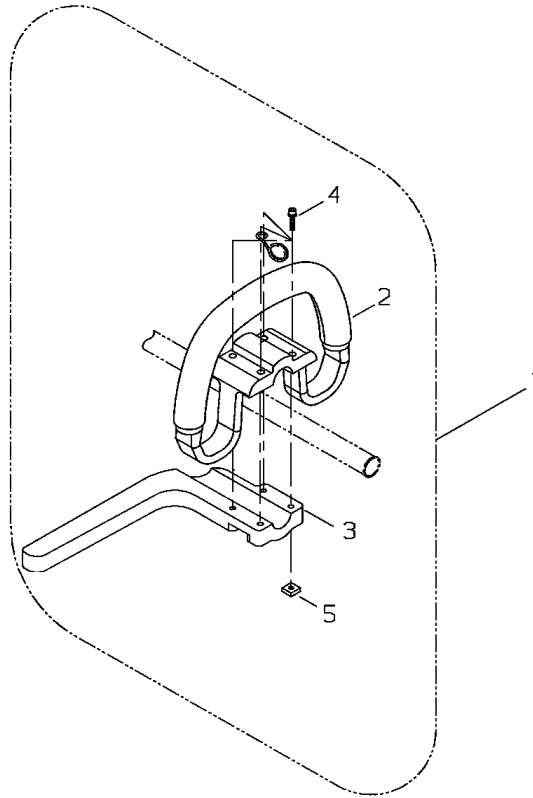
KEY	LV	PART NUMBER	Q'TY	DESCRIPTION	REMARKS	NOTE1	NOTE2
1		72553-63020	1	GEAR CASE COMP			
2	•	22044-13112	1	GEAR CASE			
3	•	02006-06000	1	BEARING			
4	•	02000-06201	1	BEARING			
5	•	22000-13120	1	OIL SEAL			
6	•	02432-32120	1	SNAP RING			
7	•	22000-13212	1	GEAR SHAFT			
8	•	22000-13220	1	BEVEL GEAR			
9	•	22000-13230	1	COLLAR			
10	•	22460-13391	1	BEVEL PINION COMP			
11	•	02000-06000	1	BEARING			
12	•	02002-06000	1	BALL BEARING			
13	•	22000-13320	1	SNAP RING			
14	•	02432-26120	1	SNAP RING			
15	•	22015-13410	1	BOLT		M10x10	
16	•	22015-13420	1	GASKET			
17	•	01020-05120	1	BOLT	M5*12	M5x12	
18	•	01600-05131	1	SPRING WASHER		M5	
19	•	01610-05080	1	WASHER		M5	
20	•	11022-06400	1	BOLT SPW		M6x40(SW,PW)	
21	•	22011-13450	1	SHIM			
22		72553-63160	1	HOLDER			
23		37019-63170	1	HOLDER			
24		22000-13290	1	BOLT GUARD			
25		22000-13512	1	BOLT		M8	
26		22000-13530	1	SLIDE PIN			

9. GEAR CASE



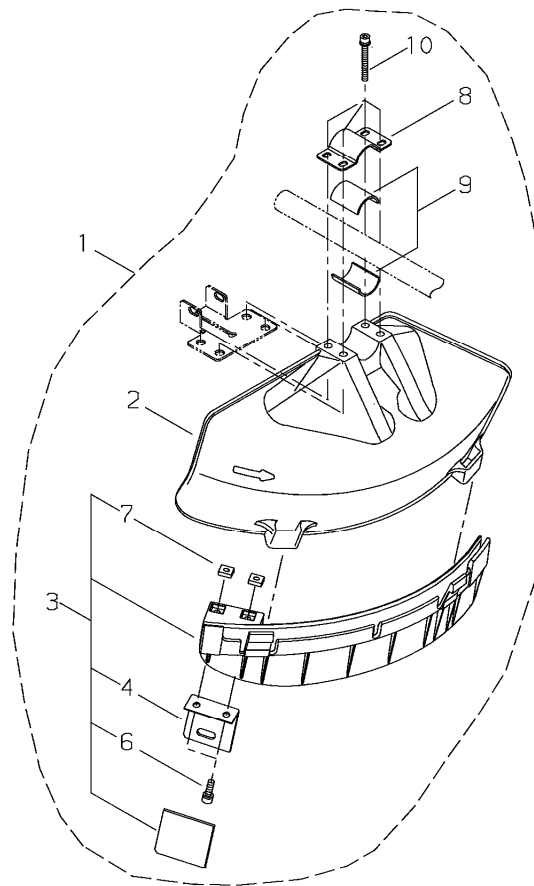
KEY	LV	PART NUMBER	Q'TY	DESCRIPTION	REMARKS	NOTE1	NOTE2
27		72441-16130	1	LOWER CLAMP			
28		01500-06051	1	NUT	M6	M6	
29		01613-06100	1	WASHER		M6	

10. HANDLE



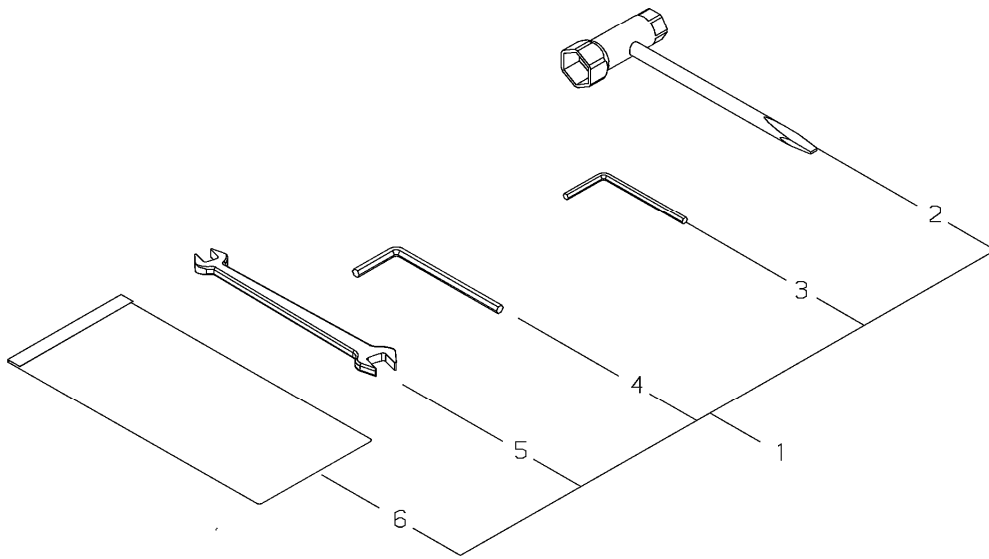
KEY	LV	PART NUMBER	Q'TY	DESCRIPTION	REMARKS	NOTE1	NOTE2
1		62074-64011	1	HANDLE ASSY			
2	•	62074-64111	1	HANDLE			
3	•	62074-64120	1	BARRIER			
4	•	11022-05350	4	BOLT SPW		M5*35 SPW	
5	•	22420-16120	4	NUT			

11. GUARD



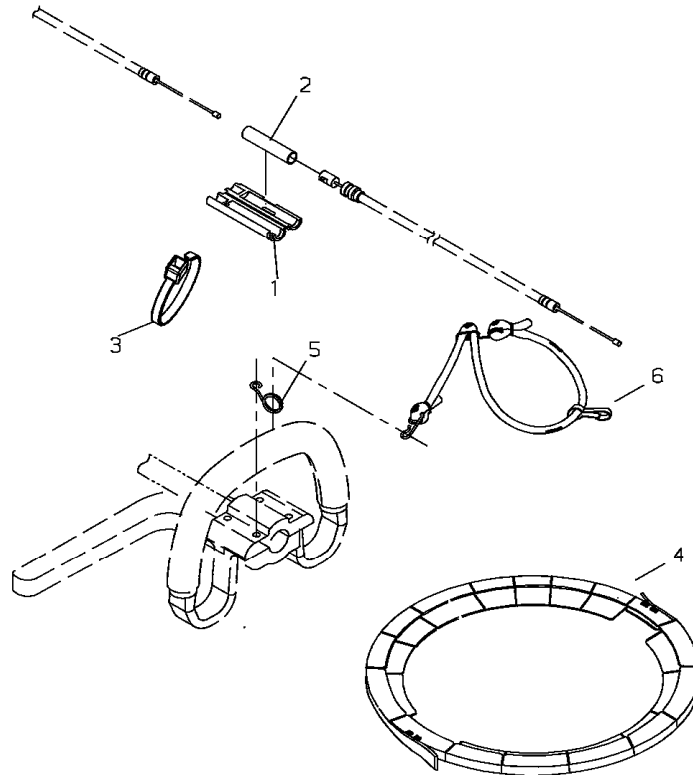
KEY	LV	PART NUMBER	Q'TY	DESCRIPTION	REMARKS	NOTE1	NOTE2
1		64000-66311	1	GUARD SET			
2	▪	62903-66111	1	GUARD			
3	▪	62903-66332	1	SUB GUARD ASSY			
4	▪▪	72480-16121	1	CUTTER			
6	▪▪	11020-05160	2	BOLT SW		M5x16(SW)	
7	▪▪	22420-16120	2	NUT		M5	
8	▪	72480-16210	1	UPPER CLAMP			
9	▪	72441-16220	2	SPACER			
10	▪	11022-05450	4	BOLT SPW		M5x45(SW,PW)	

12. TOOL



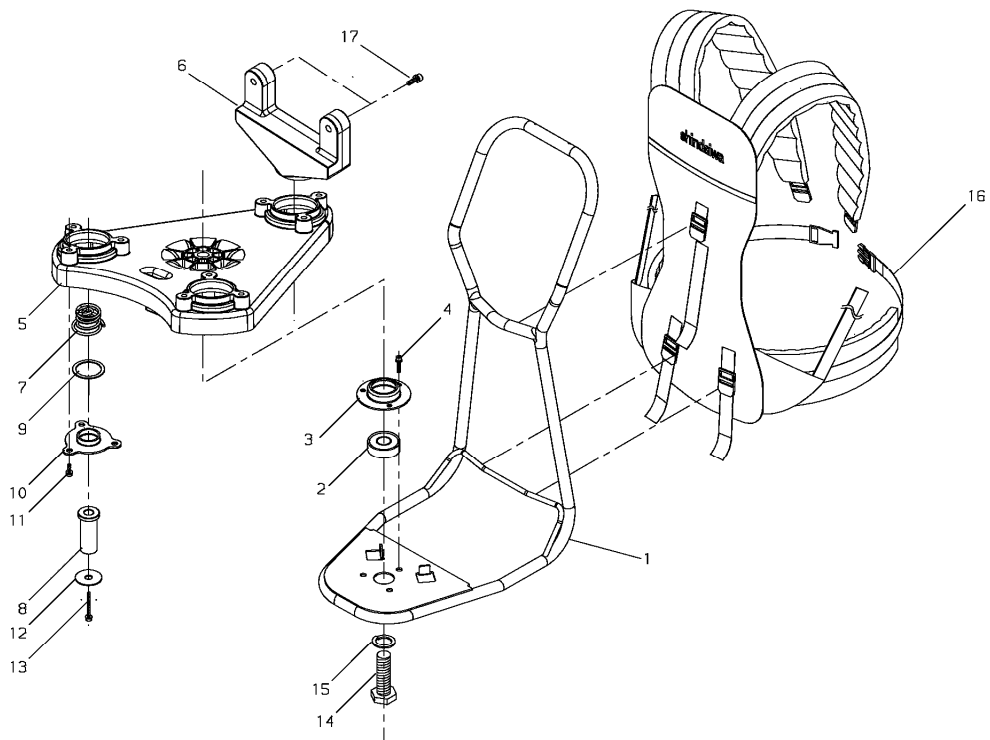
KEY	LV	PART NUMBER	Q'TY	DESCRIPTION	REMARKS	NOTE1	NOTE2
1		64100-92310	1	TOOL SET			
2	•	22000-91181	1	PLUG WRENCH			
3	•	09026-04001	1	HEXA WRENCH	4MM M5㉿	M5	
4	•	09026-05001	1	HEXA WRENCH 6MM		M6	
5	•	22000-91120	1	SPANNER			
6	•	19639-01400	1	BAG,PACKING	140*200*T0.08		

13. BLADE COVER



KEY	LV	PART NUMBER	Q'TY	DESCRIPTION	REMARKS	NOTE1	NOTE2
1		72550-82120	1	CONNECTOR			
2		20037-82130	1	SLEEVE			
3		15210-14300	1	BAND			
4		22550-92310	1	BLADE COVER			
5		20024-83152	1	CABLE HOLDER			
6		32003-86130	1	ROPE			

14. FRAME, PAD



KEY	LV	PART NUMBER	Q'TY	DESCRIPTION	REMARKS	NOTE1	NOTE2
1		62083-86110	1	FRAME			
2		02006-06202	1	BEARING		6202DDU	
3		62083-86310	1	BEARING COVER			
4		11022-05160	3	BOLT SPW		M5x16(SW,PW)	
5		62083-87110	1	BRACKET			
6		62083-87310	1	BRACKET			
7		17503-39901	3	SPRING			
8		15401-10203	3	COLLAR			
9		62083-87320	3	COLLAR			
10		62083-87330	3	COVER			
11		11022-05160	9	BOLT SPW		M5x16(SW,PW)	
12		15401-20011	3	COLLAR			
13		11020-05500	3	BOLT SW		M5x50(SW)	
14		01010-10350	1	BOLT		M10x35	
15		01600-10251	1	SPRING WASHER		M10	
16		62083-86121	1	PAD			
17		11022-05160	2	BOLT SPW		M5x16(SW,PW)	

Index

Patrs Number	Key No.	Patrs Number	Key No.	Patrs Number	Key No.
01010-10350	14 - 14	11022-05450	1 - 12	20020-85540	7 - 13
01020-04240	4 - 8	11022-05450	11 - 10	20024-12260	1 - 8
01020-05120	9 - 17	11022-06400	9 - 20	20024-83152	13 - 5
01020-05250	1 - 3	11060-05163	5 - 23	20037-82130	13 - 2
01020-05300	2 - 10	11206-05201	8 - 29	20040-81430	6 - 30
01020-05350	1 - 4	11206-05250	8 - 17	20051-35130	2 - 20
01020-05750	6 - 48	12492-50100	2 - 9	20087-81820	6 - 33
01020-06250	1 - 11	12492-50100	2 - 17	20112-35200	2 - 21
01500-05041	8 - 18	13000-13406	4 - 13	20112-75180	5 - 14
01500-06051	9 - 28	14350-11601	6 - 41	20140-83311	7 - 12
01501-05030	8 - 30	14352-11900	6 - 40	20870-33120	6 - 52
01511-10061	4 - 3	15210-14300	13 - 3	22000-13120	9 - 5
01600-04101	4 - 9	15401-10203	14 - 8	22000-13212	9 - 7
01600-05131	6 - 49	15401-20011	14 - 12	22000-13220	9 - 8
01600-05131	9 - 18	17503-39901	14 - 7	22000-13230	9 - 9
01600-10251	4 - 4	19402-00223	8 - 35	22000-13290	9 - 24
01600-10251	14 - 15	19404-00039	8 - 37	22000-13320	9 - 13
01610-05080	9 - 19	19420-00027	5 - 24	22000-13512	9 - 25
01613-06100	9 - 29	19422-00010	8 - 36	22000-13530	9 - 26
02000-06000	9 - 11	19639-01400	12 - 6	22000-91120	12 - 5
02000-06201	9 - 4	20000-81260	6 - 5	22000-91181	12 - 2
02002-06000	9 - 12	20000-81310	6 - 18	22011-13450	9 - 21
02002-06900	8 - 7	20000-81540	6 - 34	22015-13410	9 - 15
02006-06000	9 - 3	20000-85221	7 - 4	22015-13420	9 - 16
02006-06202	2 - 14	20005-83160	6 - 3	22044-13112	9 - 2
02006-06202	14 - 2	20010-21211	2 - 4	22056-11140	8 - 12
02030-06202	2 - 3	20010-21211	2 - 8	22056-12340	8 - 5
02030-06202	2 - 7	20010-71650	4 - 10	22104-75420	5 - 12
02403-03100	4 - 2	20010-75210	5 - 13	22150-41280	3 - 5
02430-10100	8 - 8	20011-31230	2 - 16	22152-41231	3 - 4
02432-26120	9 - 14	20011-81360	6 - 15	22154-72230	4 - 12
02432-32120	9 - 6	20011-81451	6 - 26	22155-72280	4 - 6
02432-35150	2 - 15	20011-81460	6 - 28	22160-72220	4 - 11
09026-04001	12 - 3	20011-81470	6 - 27	22169-35400	7 - 9
09026-05001	12 - 4	20019-81440	6 - 29	22197-33960	7 - 10
11020-05160	11 - 6	20019-81610	6 - 20	22420-16120	10 - 5
11020-05500	14 - 13	20019-81620	6 - 21	22420-16120	11 - 7
11022-05160	1 - 13	20019-81630	6 - 22	22460-13391	9 - 10
11022-05160	2 - 28	20019-81660	6 - 19	22550-92310	13 - 4
11022-05160	2 - 30	20019-81670	6 - 25	32003-86130	13 - 6
11022-05160	14 - 4	20020-51112	3 - 8	37019-63170	9 - 23
11022-05160	14 - 11	20020-51121	3 - 9	62035-12111	1 - 1
11022-05160	14 - 17	20020-51131	3 - 10	62035-12120	1 - 2
11022-05200	2 - 22	20020-51140	3 - 11	62035-12210	1 - 5
11022-05250	5 - 22	20020-51150	3 - 12	62035-12220	1 - 6
11022-05300	1 - 7	20020-81140	6 - 6	62035-15210	1 - 10
11022-05300	2 - 18	20020-81150	6 - 8	62035-21010	2 - 1
11022-05350	10 - 4	20020-85540	7 - 8	62035-21020	2 - 5
11022-05400	6 - 44	20020-85540	7 - 11	62035-21110	2 - 2

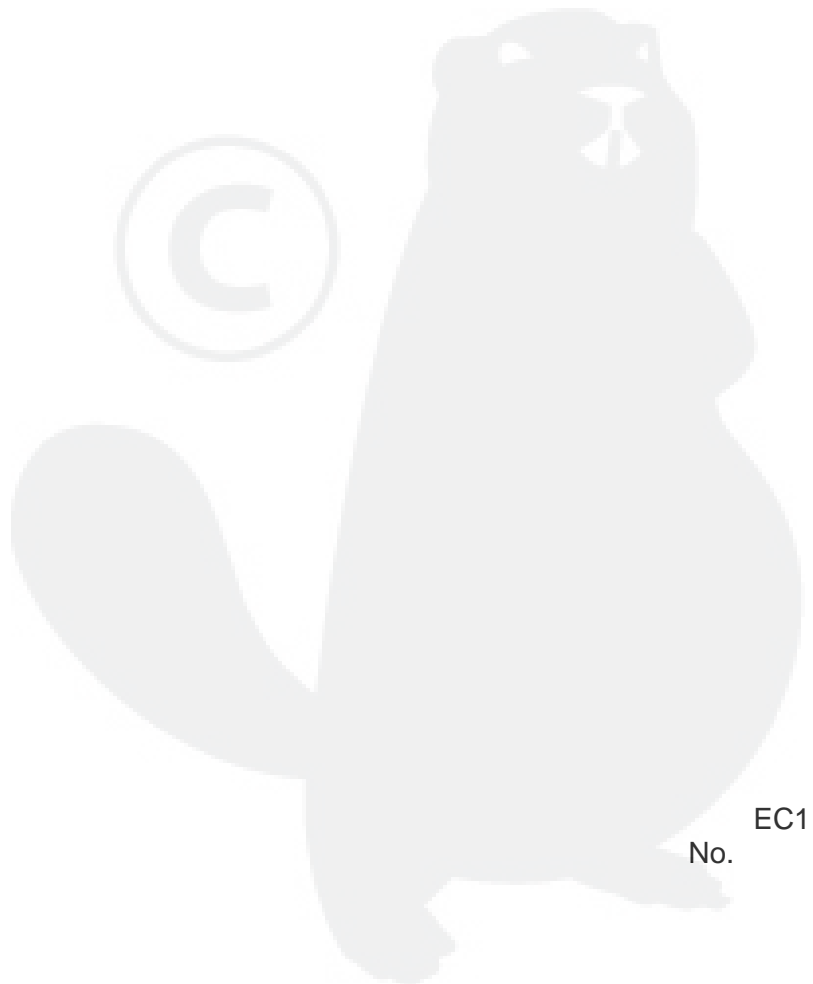
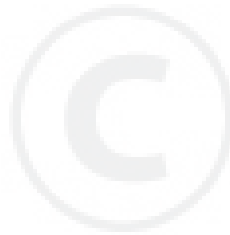
Index

Patrs Number	Key No.	Patrs Number	Key No.	Patrs Number	Key No.
62035-21210	2 - 6	62083-75311	5 - 21	68501-81340	6 - 12
62035-32012	2 - 24	62083-75320	5 - 5	68501-81480	6 - 37
62035-32112	2 - 25	62083-75330	5 - 6	70030-71620	4 - 7
62035-32310	2 - 26	62083-75340	5 - 7	70168-85201	7 - 3
62035-32320	2 - 27	62083-75350	5 - 8	70210-51100	3 - 7
62035-41110	3 - 1	62083-75360	5 - 9	70210-51160	3 - 13
62035-41120	3 - 2	62083-75380	5 - 20	70210-81420	6 - 36
62035-41210	3 - 3	62083-81310	6 - 2	70210-81440	6 - 31
62035-42010	3 - 6	62083-81330	6 - 4	70210-81451	6 - 32
62035-71020	4 - 5	62083-82041	6 - 50	72017-12150	8 - 38
62035-71110	4 - 1	62083-82120	6 - 45	72441-16130	9 - 27
62035-71320	4 - 14	62083-82131	6 - 51	72441-16220	11 - 9
62035-81310	6 - 54	62083-86110	14 - 1	72480-16121	11 - 4
62035-81330	6 - 9	62083-86121	14 - 16	72480-16210	11 - 8
62035-81340	6 - 10	62083-86310	14 - 3	72517-12130	8 - 4
62035-81350	6 - 11	62083-87110	14 - 5	72517-62331	8 - 15
62035-81360	6 - 13	62083-87310	14 - 6	72517-62341	8 - 16
62035-81370	6 - 23	62083-87320	14 - 9	72550-82120	13 - 1
62035-81380	6 - 24	62083-87330	14 - 10	72553-63020	9 - 1
62035-81390	6 - 38	62083-91320	2 - 23	72553-63160	9 - 22
62035-81410	6 - 14	62109-81010	6 - 1	72920-81820	6 - 17
62035-81420	6 - 35	62109-81320	6 - 7	72933-85620	7 - 14
62035-82011	6 - 42	62109-81330	6 - 16	A038-000330	7 - 1
62035-82330	6 - 46	62903-66111	11 - 2		
62035-82340	6 - 47	62903-66332	11 - 3		
62035-82350	6 - 53	63000-62311	8 - 14		
62035-82362	6 - 43	63000-62350	8 - 21		
62035-85031	7 - 5	63002-62340	8 - 22		
62035-85111	7 - 2	63002-62350	8 - 24		
62035-85310	7 - 6	63043-62140	8 - 13		
62035-85321	7 - 7	63043-62310	8 - 20		
62035-85341	7 - 15	63049-61010	8 - 9		
62035-85351	7 - 16	63049-61110	8 - 10		
62036-32311	2 - 29	63049-61120	8 - 11		
62060-83110	6 - 39	63049-62010	8 - 1		
62074-64011	10 - 1	63049-62120	8 - 3		
62074-64111	10 - 2	63049-62170	8 - 34		
62074-64120	10 - 3	63049-62211	8 - 6		
62083-15110	1 - 9	63049-62310	8 - 19		
62083-31012	2 - 11	63049-62320	8 - 27		
62083-31111	2 - 12	63049-62330	8 - 32		
62083-31210	2 - 13	63049-62340	8 - 33		
62083-35010	2 - 19	63880-65350	8 - 25		
62083-75010	5 - 1	63880-65360	8 - 28		
62083-75020	5 - 15	63880-65411	8 - 31		
62083-75110	5 - 2	63901-62352	8 - 23		
62083-75120	5 - 3	63901-62370	8 - 26		
62083-75130	5 - 4	64000-66311	11 - 1		
62083-75140	5 - 11	64100-92310	12 - 1		

YAMABIKO CORPORATION

7-2 SUEHIROCHO 1-CHOME, OHME, TOKYO 198-8760, JAPAN
PHONE: 81-428-32-6118. FAX: 81-428-32-6145.

shindaiwa[®]



EC1
No.