

**shindaiwa<sup>®</sup>**

# **PARTS CATALOG**

## **BRUSHCUTTER**

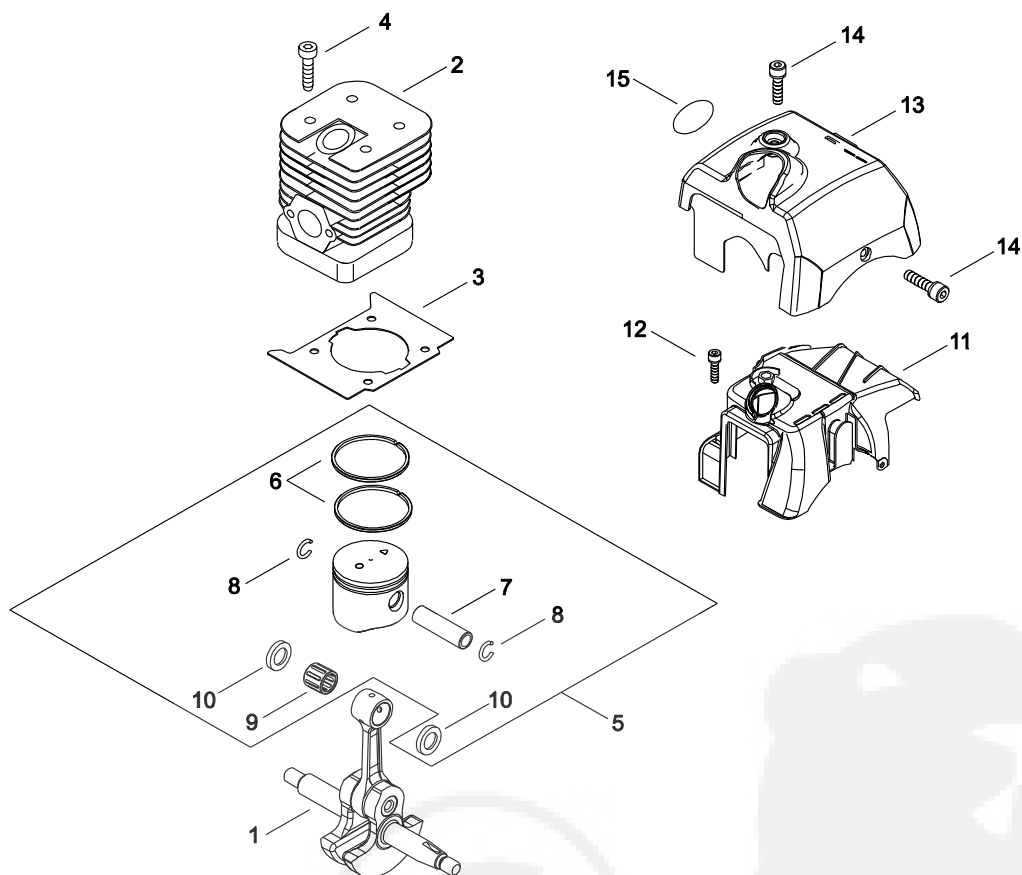
### **B410S(37)**

**37001852 -**

**CE**

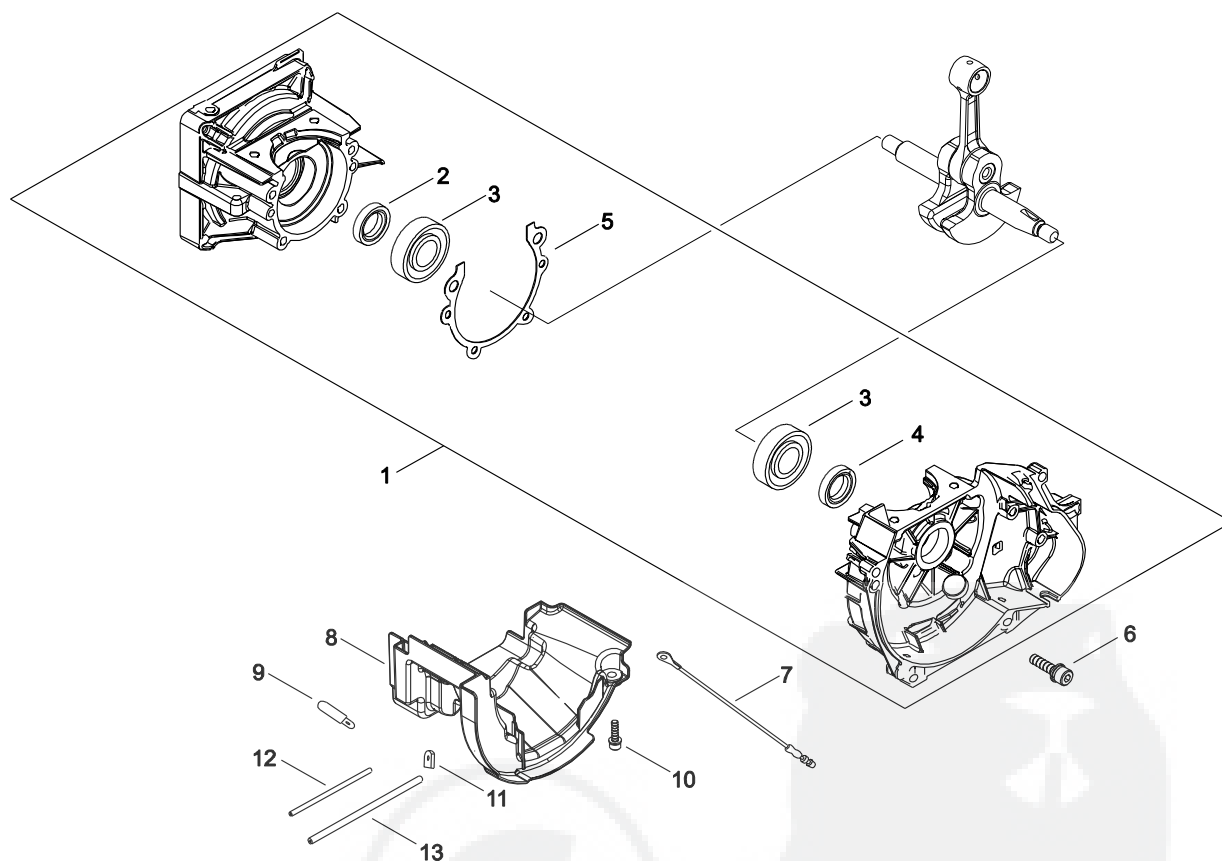
P016-001271-14C

## 1. CYLINDER, PISTON, CRANKSHAFT



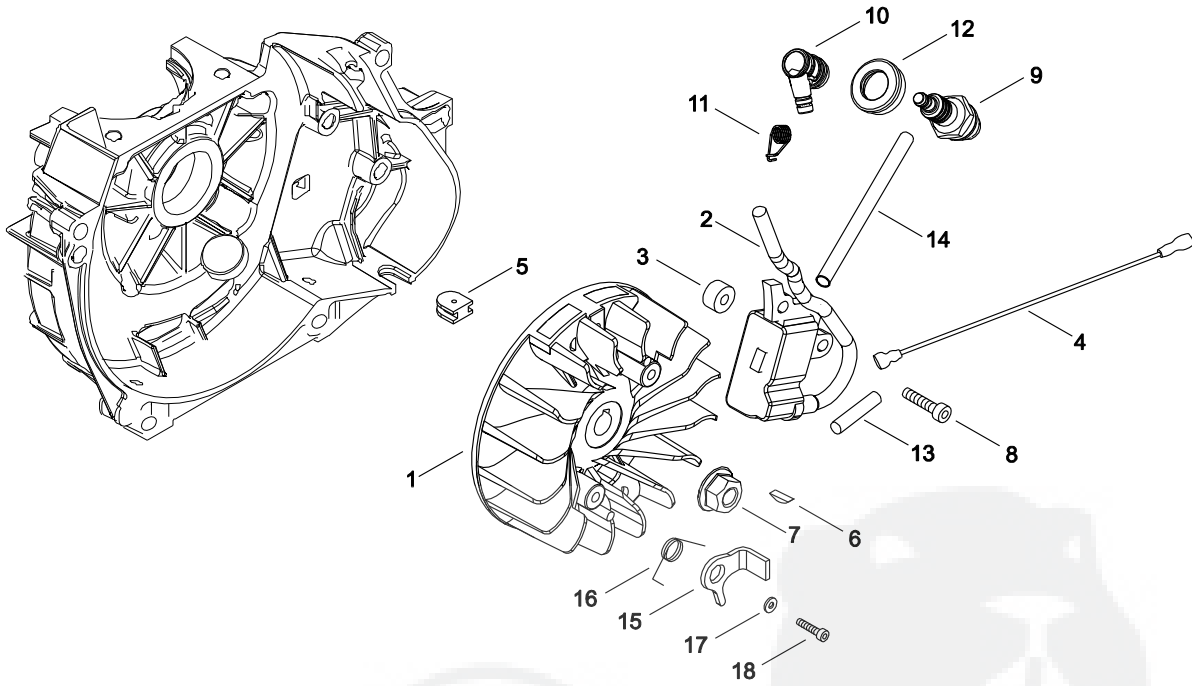
KEY	LV	PART NUMBER	Q'TY	DESCRIPTION	REMARKS	NOTE1	NOTE2
1		A011-001230	1	CRANKSHAFT,ASY			
2		A130-002070	1	CYLINDER			
3		V100-000760	1	GASKET,CYL			
4		V805-000210	4	BOLT, TORX 5	TB-5*20 12.9		
5		P021-041390	1	PISTON KIT			
6	+	A101-000160	2	RING, PISTON	40*B1.5*T1.8		
7	+	V608-000000	1	PIN,ENG 10			
8	+	V580-000010	2	RING,END	10		
9	+	100012-19830	1	BEARING, NEEDLE			
10	+	100014-17330	2	SPACER, PISTON PIN			
11		A160-002620	1	COVER,CYLINDER			
12		V835-000000	1	BOLT, TORX 5			
13		A160-002721	1	COVER,CYLINDER			
14		V835-000000	2	BOLT, TORX 5			
15		X504-007320	1	LABEL,BRAND	SHINDAIWA/410S		

## 2. CRANKCASE



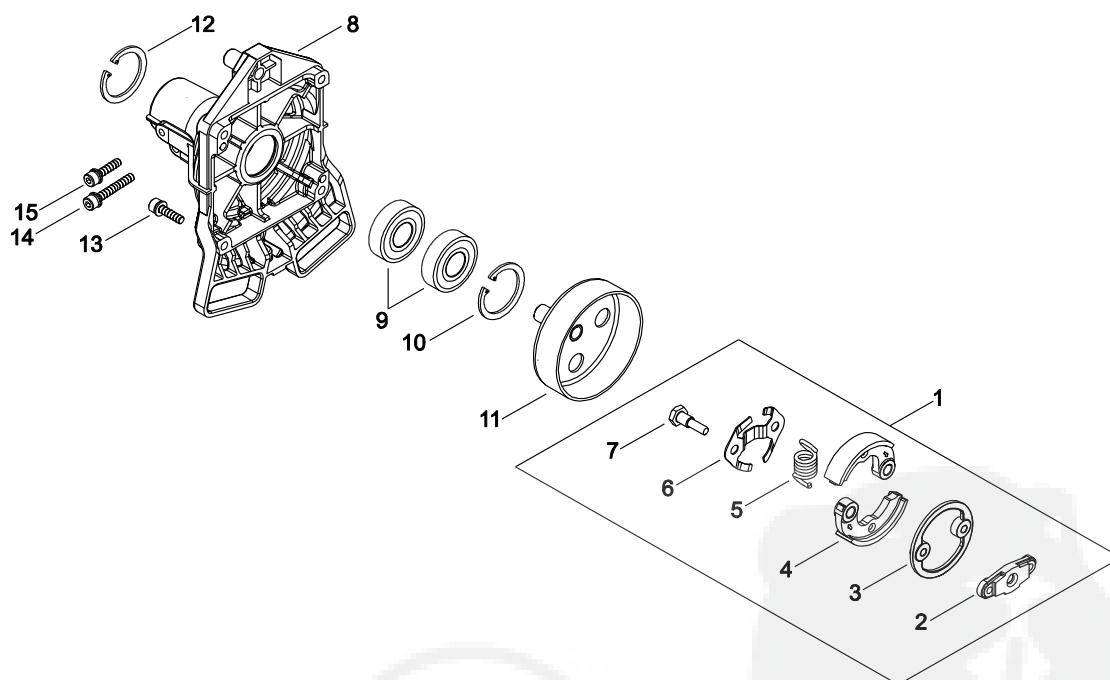
KEY	LV	PART NUMBER	QTY	DESCRIPTION	REMARKS	NOTE1	NOTE2
1		P021-041380	1	CRANKCASE SET			
2	+	V505-000020	1	SEAL,OIL 12	12*22*7		
3	+	900888-36201	2	BEARING, BALL 6201	6201		
4	+	100213-05530	1	OILSEAL	ISCD 12 22 7		
5	+	V102-000250	1	GASKET,CRANKCASE			
6		V805-000290	4	BOLT, TORX 5	TB-5*35 12.9		
7		V485-002570	1	LEAD			
8		A209-000740	1	PLATE, INSULATOR			
9		159116-21231	1	CLAMP			
10		V835-000000	2	BOLT, TORX 5			
11		156110-04920	1	BUSHING			
12		V471-004040	1	PIPE	3*6*165		
13		V475-007610	1	TUBE	8*9*111		

3. MAGNETO



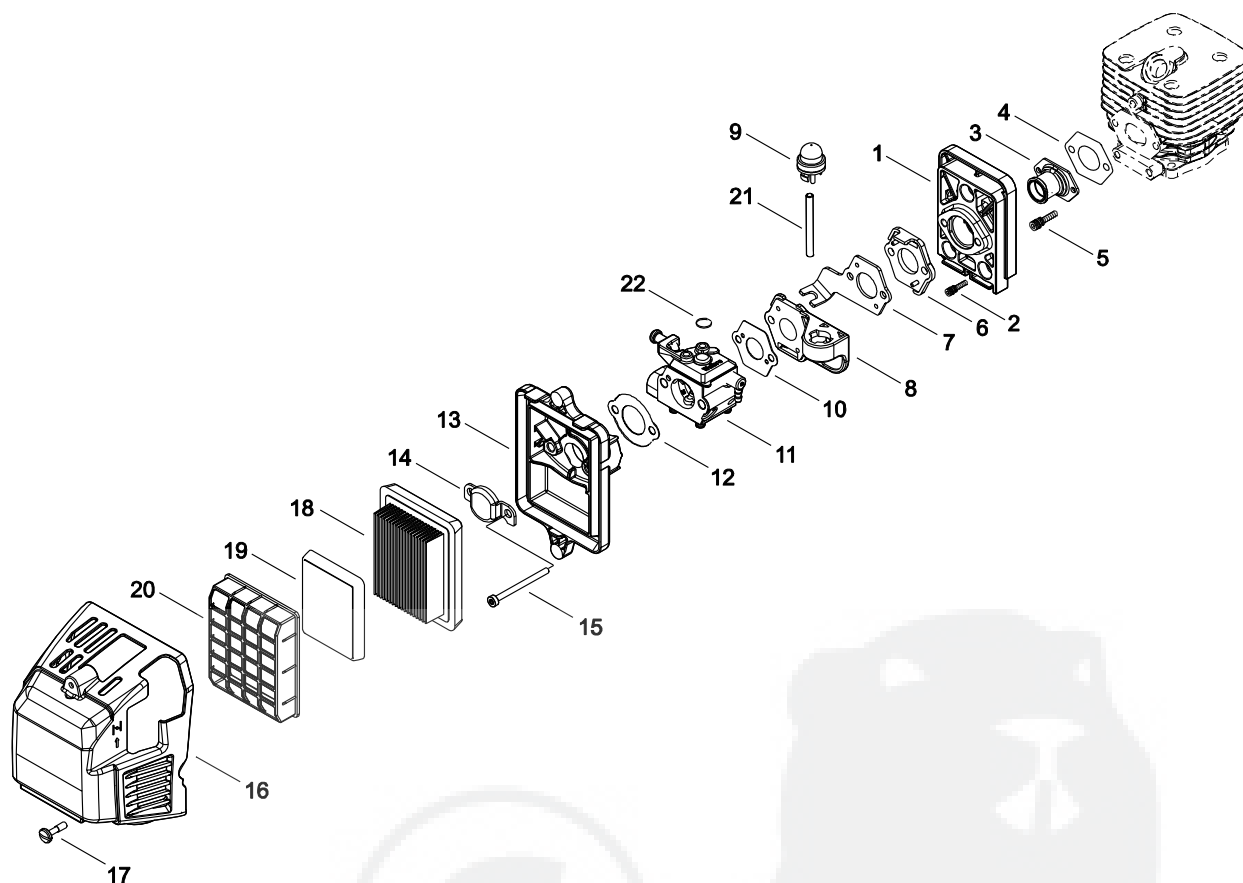
KEY	LV	PART NUMBER	Q'TY	DESCRIPTION	REMARKS	NOTE1	NOTE2
1		A409-001210	1	ROTOR, MAGNETO			
2		A411-001371	1	COIL, IGNITION			
3		V353-000630	2	COLLAR,5			
4		V485-002331	1	LEAD			
5		156114-07320	1	GROMMET			
6		100142-12330	1	KEY, WOODRUFF			
7		92105-08000	1	NUT, FLANGE	M8*1.25 L		
8		V805-000150	2	BOLT, TORX 5	TB-5*16 10.9		
9		A425-000000	1	SPARKPLUG	BPMR8Y		
10		A427-000060	1	CAP, SPARK PLUG			
11		A426-000010	1	TERMINAL, SPARKPLUG			
12		A429-000090	1	COVER, CAP			
13		V475-007540	1	TUBE			
14		V475-007550	1	TUBE			
15		A514-000280	2	PAWL			
16		V452-001471	2	SPRING, TORSION			
17		177247-04630	2	SPACER, RATCHET	5.2*8*2.1		
18		V805-000140	2	BOLT, TORX 5	TB-5*12 10.9		

## 4. CLUTCH



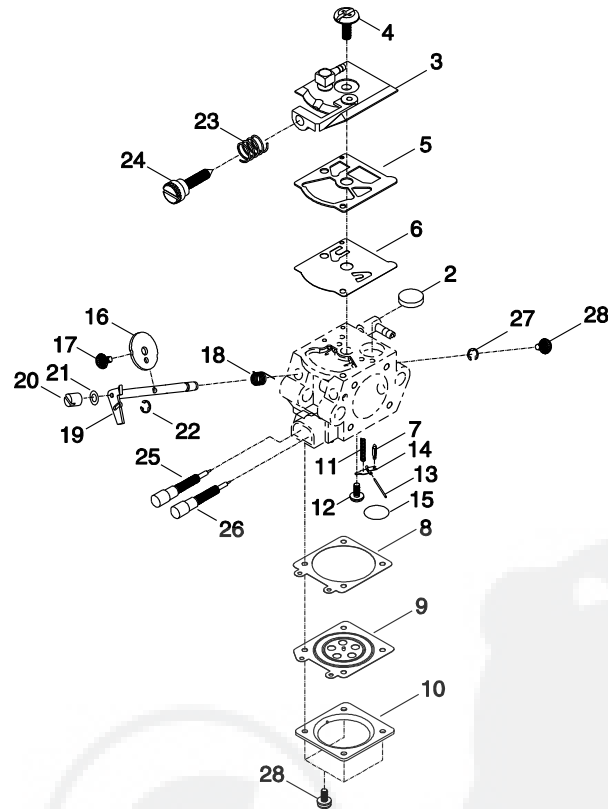
KEY	LV	PART NUMBER	Q'TY	DESCRIPTION	REMARKS	NOTE1	NOTE2
1		P021-041140	1	CLUTCH ASY			
2	+	A552-000390	1	HUB, CLUTCH			
3	+	V376-001980	1	SPACER			
4	+	A553-000170	2	ARM, CLUTCH			
5	+	A566-000230	1	SPRING, CLUTCH			
6	+	V453-000230	1	SPRING, FLAT			
7	+	A557-000190	2	SHAFT, CLUTCH			
8		A570-000291	1	CASE, CLUTCH			
9		94018-46001	2	BEARING, BALL			
10		900702-00028	1	CIRCLIP 28	CR-28		
11		A556-001540	1	DRUM, CLUTCH			
12		900701-00012	1	CIRCLIP 12	CS-12		
13		V805-000170	4	BOLT, TORX 5	TB-5*25 10.9		
14		V805-000160	1	BOLT, TORX 5	TB-5*20 10.9		
15		V805-000130	1	BOLT, TORX 5	TB-5*10 10.9		

## 5. AIR CLEANER, CARBURETOR



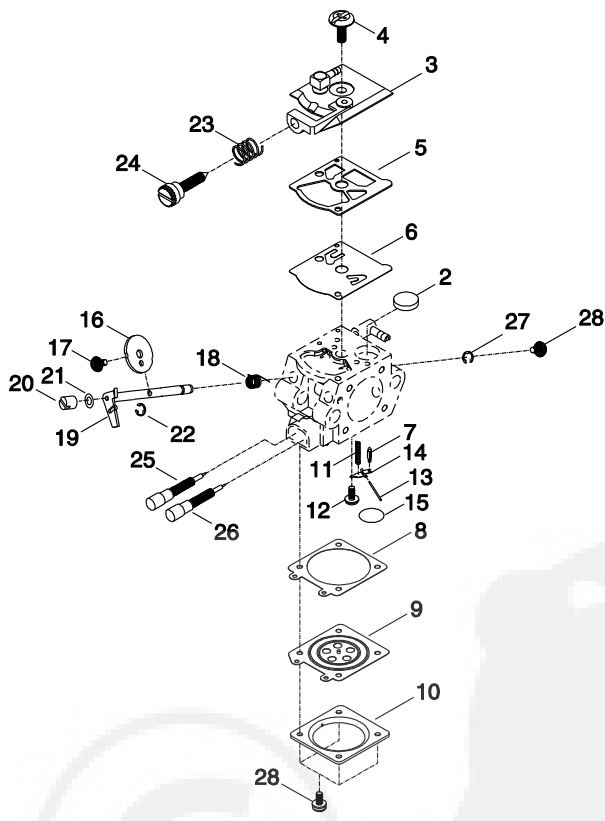
KEY	LV	PART NUMBER	Q'TY	DESCRIPTION	REMARKS	NOTE1	NOTE2
1		A200-000990	1	INSULATOR, INTAKE			
2		V835-000030	3	BOLT, TORX 5	TB-5*20 10.9		
3		A202-000251	1	BELLOWS, INTAKE			
4		V103-001620	1	GASKET,INTAKE			
5		V835-000010	2	BOLT, TORX 5	TB-5*12 10.9		
6		A209-000720	1	PLATE, INSULATOR			
7		C487-000410	1	HOLDER, CABLE			
8		A209-000730	1	PLATE, INSULATOR			
9		123181-39130	1	PUMP, PRIMER			
10		V103-001610	1	GASKET,INTAKE			
11		A021-003840	1	CARBURETOR,DIAPHRAGM	WT-1046		
12		V103-000471	1	GASKET,INTAKE	T0.5		
13		P021-042880	1	CLEANER CASE ASY			
14		A244-000290	1	PLATE, PREVENT			
15		V805-000100	2	BOLT, TORX 5	TB-5*65 10.9		
16		A232-001660	1	LID,CLEANER			
17		V253-000100	2	SCREW,5	5*20		
18		A226-001730	1	ELEMENT,AIR FILTER			
19		A226-001740	1	ELEMENT, AIR FILTER			
20		A227-000040	1	PLATE, ELEMENT			
21		V471-004050	1	PIPE	2.4*5*115		
22		V490-000440	1	CLIP			

## 6. CARBURETOR



KEY	LV	PART NUMBER	Q'TY	DESCRIPTION	REMARKS	NOTE1	NOTE2
		A021-003840	1	CARBURETOR,DIAPHRAGM	WT-1046		
2	+	123126-10631	1	SCREEN, INLET			
3	+	P003-003930	1	COVER, FUEL PUMP			
4	+	123110-03930	1	SCREW, PUMP COVER			
5	+	123125-15030	1	GASKET, FUEL PUMP			
6	+	P003-001930	1	DIAPHRAGM			
7	+	123137-19830	1	VALVE, INLET NEEDLE			
8	+	123140-03930	1	GASKET, M. DIAPHRAGM			
9	+	P003-001850	1	DIAPHRAGM, METERING			
10	+	123142-03930	1	COVER, M. DIAPHRAGM			
11	+	123122-03660	1	SPRING, METER. LEVER			
12	+	123139-03930	1	SCREW, M. LEVER PIN			
13	+	123138-03930	1	PIN, METERING LEVER			
14	+	123123-03930	1	LEVER, METERING			
15	+	123146-10631	1	PLUG, WELCH			
16	+	123116-05960	1	VALVE, THROTTLE			
17	+	P003-002380	1	SCREW			
18	+	123113-47530	1	SPRING, THR. RTN.			
19	+	P003-005020	1	SHAFT ASM THROTTLE			
20	+	123172-26030	1	SWIVEL			
21	+	123149-54230	1	WASHER			
22	+	123127-10630	1	RETAINING, SPRING			
23	+	123133-04260	1	SPRING, IDLE ADJUST			
24	+	123134-04260	1	SCREW, IDLE ADJUST			
25	+	P003-004460	1	NEEDLE			

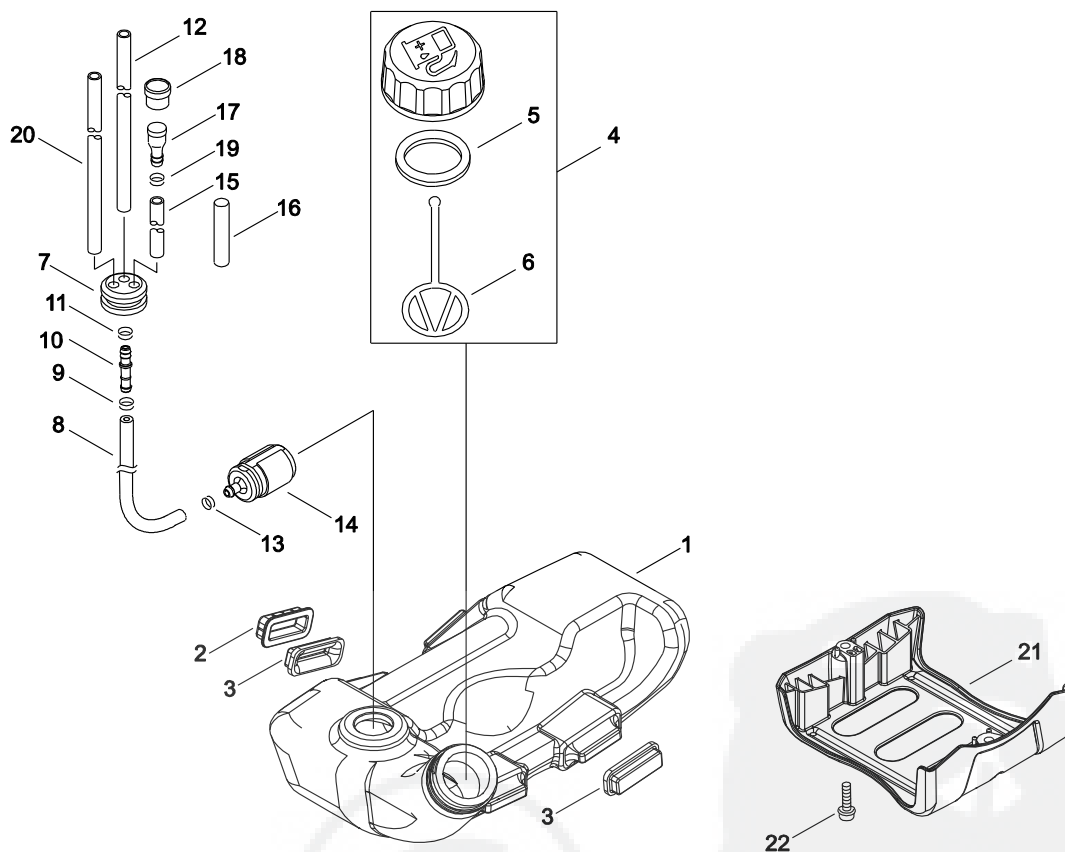
6. CARBURETOR



KEY	LV	PART NUMBER	Q'TY	DESCRIPTION	REMARKS	NOTE1	NOTE2
26	+	P003-002270	1	NEEDLE			
27	+	123127-03930	1	CLIP, THROTTLE SHAFT			
28	+	123130-02960	5	SCREW			

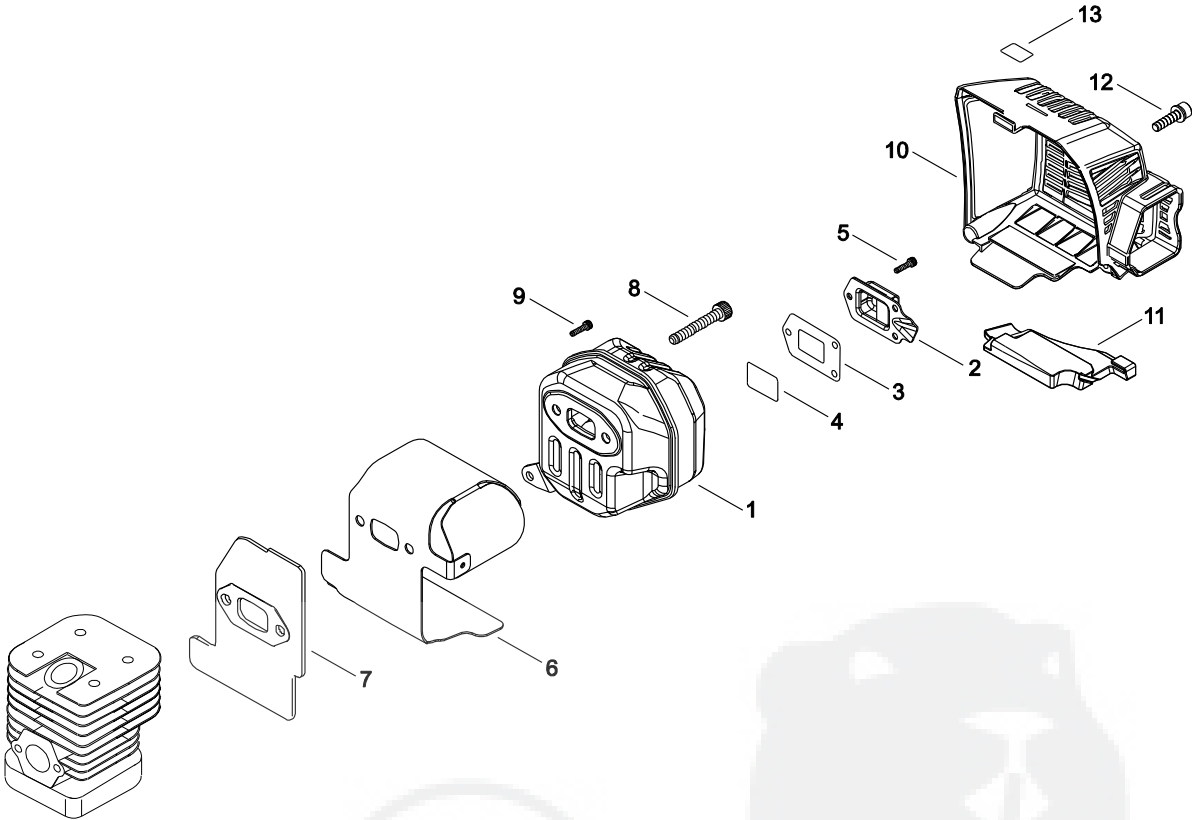


## 7. FUEL TANK



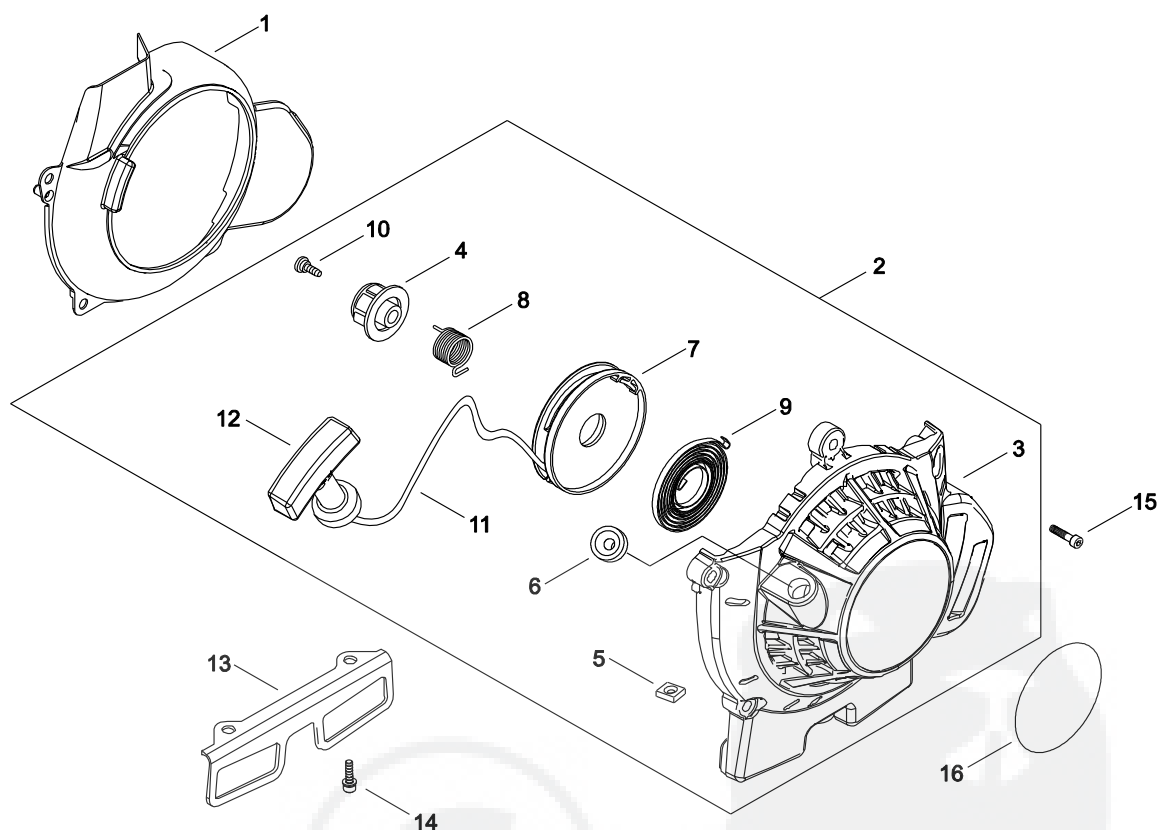
KEY	LV	PART NUMBER	Q'TY	DESCRIPTION	REMARKS	NOTE1	NOTE2
1		A350-002020	1	TANK, FUEL			
2		V423-000090	2	HOLDER,CUSHION			
3		131920-61830	4	CUSHION, FUEL TANK			
4		P021-035680	1	FUEL CAP ASY	T242		
5	+	131016-55830	1	GASKET, FUEL CAP			
6	+	A365-000060	1	CONNECTOR,CAP	L=123		
7		132115-55930	1	GROMMET, FUEL			
8		V471-002310	1	PIPE	3*6*130		
9		V490-001240	1	CLIP			
10		V186-000510	1	JOINT,PIPE			
11		130111-00530	1	CLIP	5.5		
12		V470-000840	1	PIPE			
13		V490-001240	1	CLIP			
14		A369-000001	1	STRAINER, FUEL	125-528		
15		130110-16430	1	PIPE, IMPULSE	3*6*140L		
16		V475-007610	1	TUBE	8*9*111		
17		131300-56431	1	VENT ASSEMBLY, FUEL			
18		131328-40630	1	COVER, VENT			
19		V490-001240	1	CLIP			
20		V471-003950	1	PIPE			
21		A175-000331	1	STAND			
22		V835-000000	2	BOLT, TORX 5			

8. MUFFLER



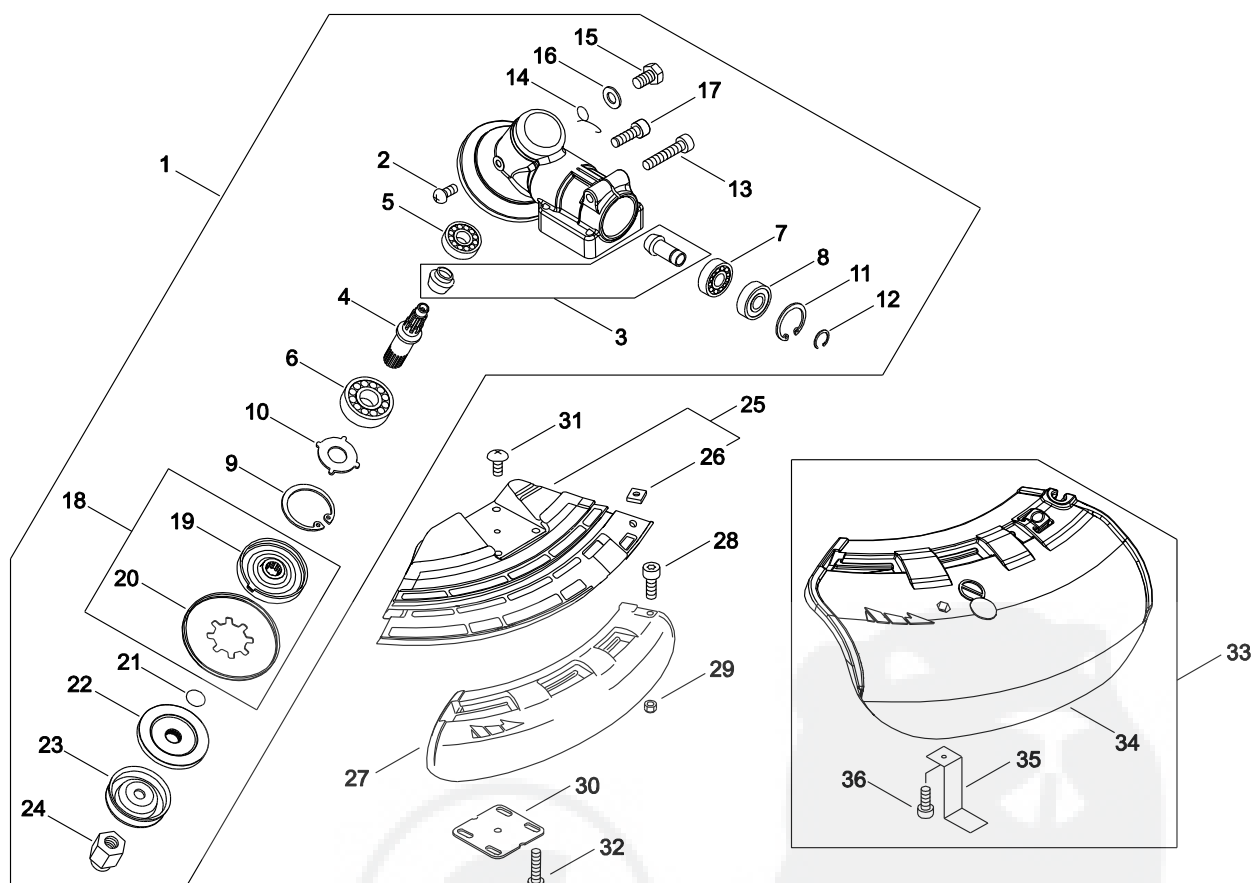
KEY	LV	PART NUMBER	Q'TY	DESCRIPTION	REMARKS	NOTE1	NOTE2
1		A300-001700	1	MUFFLER, EXHAUST			
2		A313-001910	1	GUIDE, EXHAUST			
3		V104-002040	1	GASKET, EXHAUST			
4		145862-40630	1	SCREEN, MUFFLER			
5		V804-000030	3	BOLT, TORX 4	TB-4*8 10.9		
6		V104-002020	1	GASKET, EXHAUST			
7		V104-002030	1	GASKET, EXHAUST			
8		V806-000050	2	BOLT, TORX 6	TB-6*20 12.9		
9		V805-000250	1	BOLT, TORX 5	TB-5*16 12.9		
10		A320-001000	1	COVER, MUFFLER			
11		V541-000540	1	SEAL			
12		V805-000260	2	BOLT, TORX 5	TB5*25 10.9		
13		X505-002310	1	LABEL, CAUTION	HOT CAUTION		

## 9. RECOIL STARTER



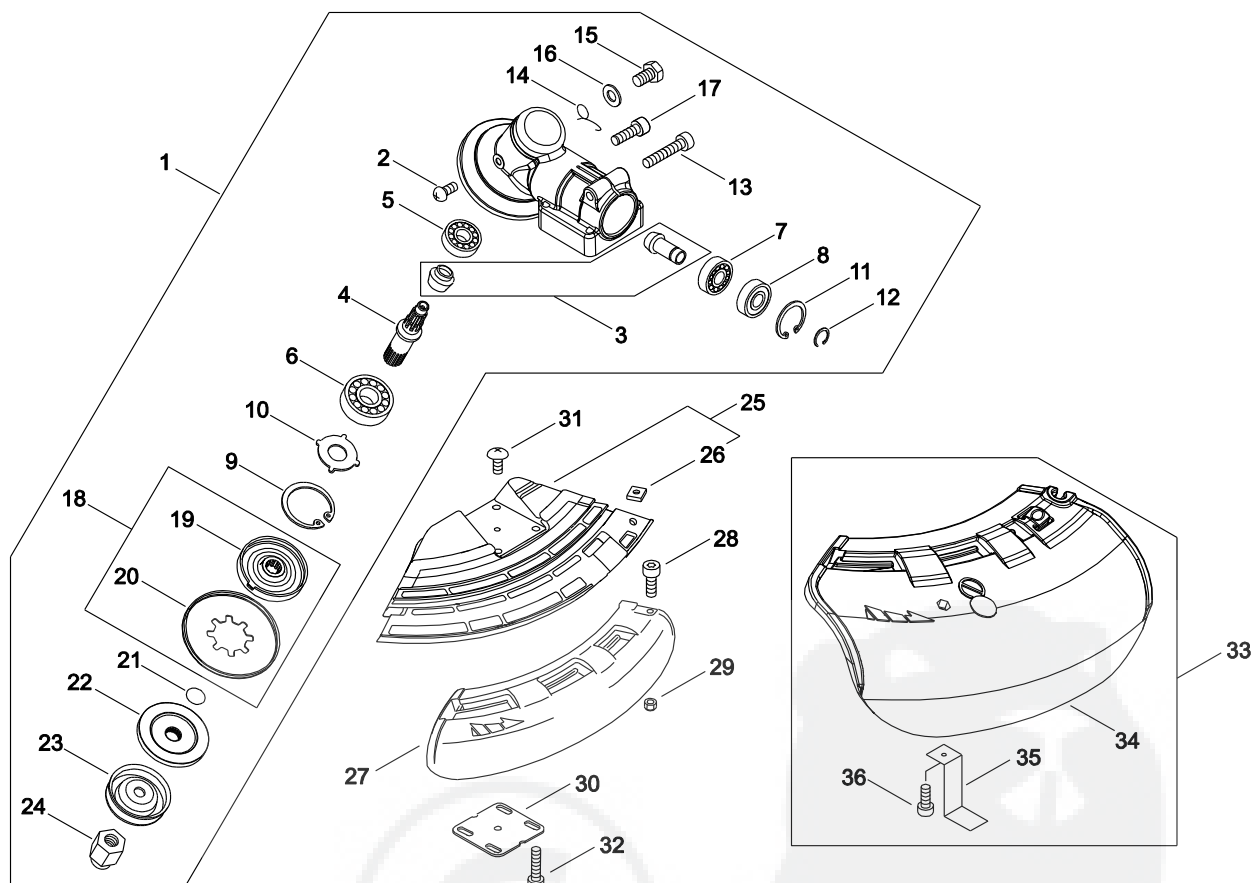
KEY	LV	PART NUMBER	Q'TY	DESCRIPTION	REMARKS	NOTE1	NOTE2
1		A172-002240	1	COVER,FAN			
2		A051-002710	1	STARTER,RECOIL			
3	+	A500-001560	1	CASE,STARTER			
4	+	A507-000140	1	CATCHER, PAWL			
5	+	900565-00005	1	NUT	5		
6	+	177227-42030	1	GUIDE, ROPE			
7	+	P022-023140	1	DRUM, STARTER			
8	+	P022-023120	1	SPRING,DAMPER			
9	+	P022-004680	1	SPRING, SPIRAL			
10	+	P022-023110	1	SCREW			
11	+	P022-023100	1	ROPE, STARTER			
12	+	177228-27030	1	GRIP, STARTER			
13		A393-000300	1	BRACKET,FUEL TANK	T1.5		
14		V805-000150	2	BOLT, TORX 5	TB-5*16 10.9		
15		V835-000030	4	BOLT, TORX 5	TB-5*20 10.9		
16		X504-007330	1	LABEL,BRAND	SHINDAIWA/B410 S		

## 10. GEAR CASE, SHIELD



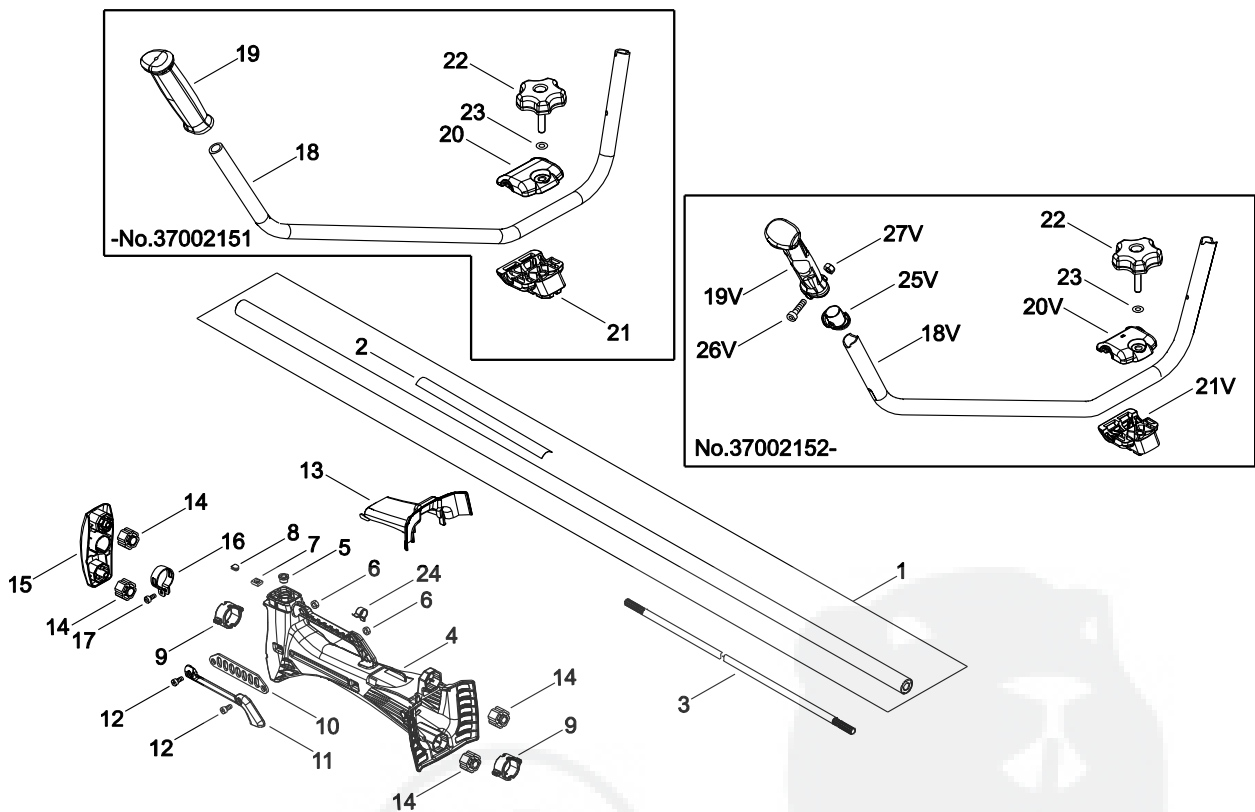
KEY	LV	PART NUMBER	QTY	DESCRIPTION	REMARKS	NOTE1	NOTE2
1		P021-041342	1	CASE,GEAR			
2	+	900220-04006	1	SCREW 4*6	4*6		
3	+	610300-56930	1	GEAR SET			
4	+	610310-56933	1	SHAFT, P.T.O.	12*10*1		
5	+	900810-00629	1	BEARING, BALL 629			
6	+	900812-06201	1	BEARING, BALL 6201			
7	+	900800-06001	1	BEARING, BALL 6001			
8	+	900803-06001	1	BEARING, BALL 6001			
9	+	900702-00032	1	CIRCLIP 32	CR-32		
10	+	610444-56830	1	WASHER			
11	+	900702-00028	1	CIRCLIP 28	CR-28		
12	+	900701-00012	1	CIRCLIP 12	CS-12		
13	+	V806-000100	1	BOLT, TORX 6	TB-6*30 10.9		
14	+	V452-001310	1	SPRING,TORSION			
15	+	610434-50031	1	BOLT 8* 8	M8*8		
16	+	900603-50008	1	WASHER	8.5*18*0.8T		
17	+	V805-000130	1	BOLT, TORX 5	TB-5*10 10.9		
18	+	610313-52932	1	FIXTURE, BLADE			
19	++	610313-52132	1	FIXTURE, BLADE			
20	++	610352-56830	1	PLATE, CUP			
21	+	900720-00012	1	O-RING 12	P-12		
22	+	610314-52130	1	PLATE, ADAPTER (L)			
23	+	699229-56830	1	PLATE, COVER			
24	+	610320-52130	1	NUT 10			
25		C550-000501	1	SHIELD, BLADE			

10. GEAR CASE, SHIELD



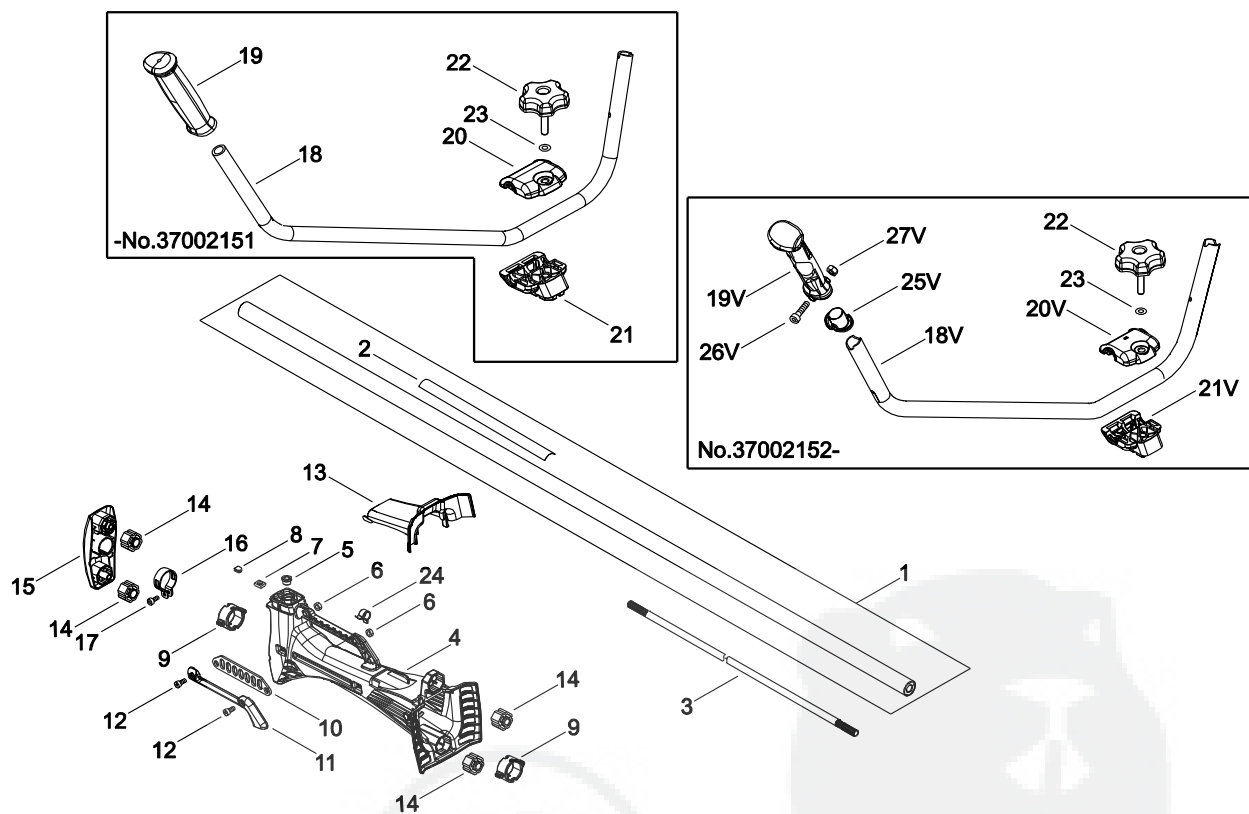
KEY	LV	PART NUMBER	QTY	DESCRIPTION	REMARKS	NOTE1	NOTE2
26	+	900565-00005	1	NUT	5		
27		C550-000541	1	SHIELD, BLADE			
28		V805-000170	1	BOLT, TORX 5	TB-5*25 10.9		
29		900562-00005	1	NUT, LOCK	5		
30		C552-000200	1	PLATE, SHIELD			
31		91316-04010	1	SCREW	M4*10		
32		V805-000260	4	BOLT, TORX 5	TB5*25 10.9		
33		P021-042900	1	SHIELD ASY, BLADE			
34	+	C550-000560	1	SHIELD, BLADE			
35	+	C554-000030	1	KNIFE, CORD	17INCH		
36	+	V805-000150	1	BOLT, TORX 5	TB-5*16 10.9		

## 11. MAIN PIPE, HANDLE



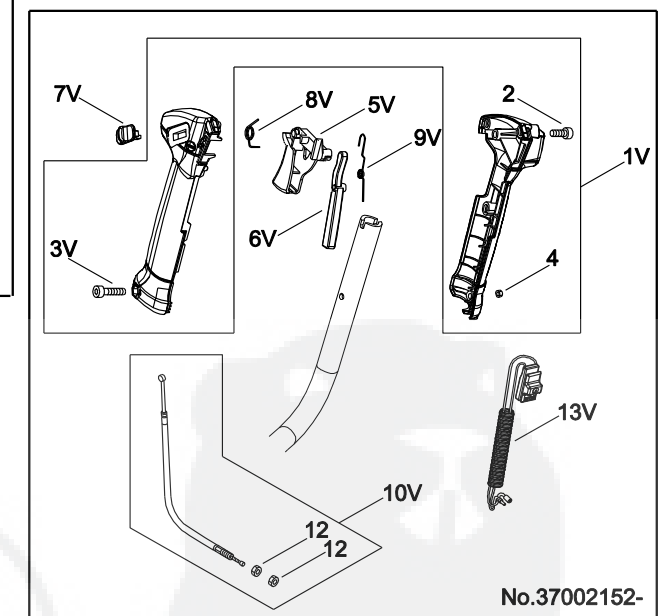
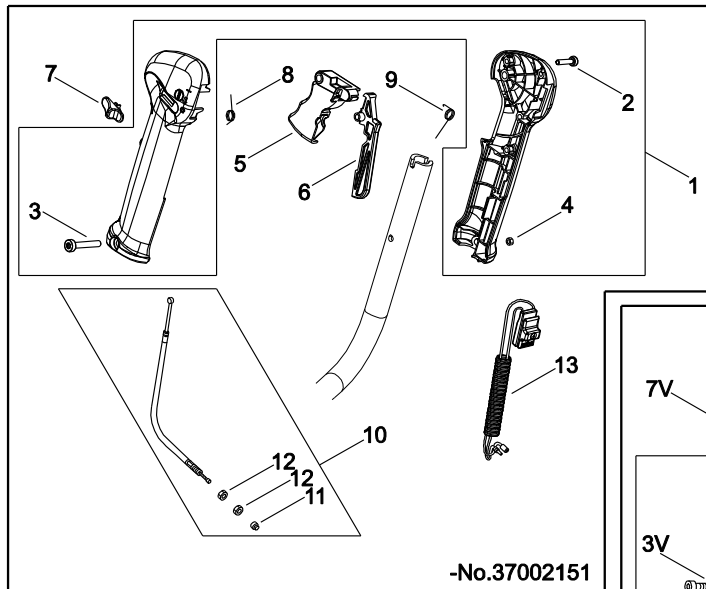
KEY	LV	PART NUMBER	Q'TY	DESCRIPTION	REMARKS	NOTE1	NOTE2
1		P021-047220	1	MAIN PIPE ASY			
2	+	890617-43130	1	LABEL,CAUTION			
3		610011-49931	1	SHAFT, DRIVE			
4		C415-000180	1	SUPPORT,HANDLE			
5		V355-000750	1	COLLAR,8	SRM-420ES		
6		V263-000020	2	NUT,5			
7		900565-50008	1	NUT			
8		101538-28230	1	GROMMET,PLUG			
9		C427-000050	2	STOPPER, HANDLE			
10		V150-003590	1	PLATE,EYE			
11		C648-000040	1	HOLDER,LIFTING			
12		V805-000150	2	BOLT, TORX 5	TB-5*16 10.9		
13		C480-000150	1	GUIDE,CABLE			
14		V420-004100	4	CUSHION			
15		C610-000070	1	FIXTURE,CUSHION			
16		V495-002880	1	BAND			
17		V805-000150	1	BOLT, TORX 5	TB-5*16 10.9		
18		C400-001320	1	HANDLE, FRONT			
18V		C400-001440	1	HANDLE,FRONT	22X T2.0		
19		C403-000031	1	GRIP,HANDLE			
19V		C403-000810	1	GRIP, HANDLE			
20		C423-000910	1	FIXTURE, HANDLE			
20V		C423-000960	1	FIXTURE, HANDLE	22		
21		C423-000920	1	FIXTURE, HANDLE			
21V		C423-000970	1	FIXTURE, HANDLE	22		

# 11. MAIN PIPE, HANDLE



KEY	LV	PART NUMBER	Q'TY	DESCRIPTION	REMARKS	NOTE1	NOTE2
22		V299-000110	1	KNOB,FASTENER			
23		175049-03920	1	WASHER			
24		V490-001220	1	CLIP			
25V		C441-000000	1	PIECE,HAND GUARD	22		
26V		V805-000070	1	BOLT, TORX 5	TB-5*40 10.9		
27V		900562-50005	1	LOCKNUT 5	5		

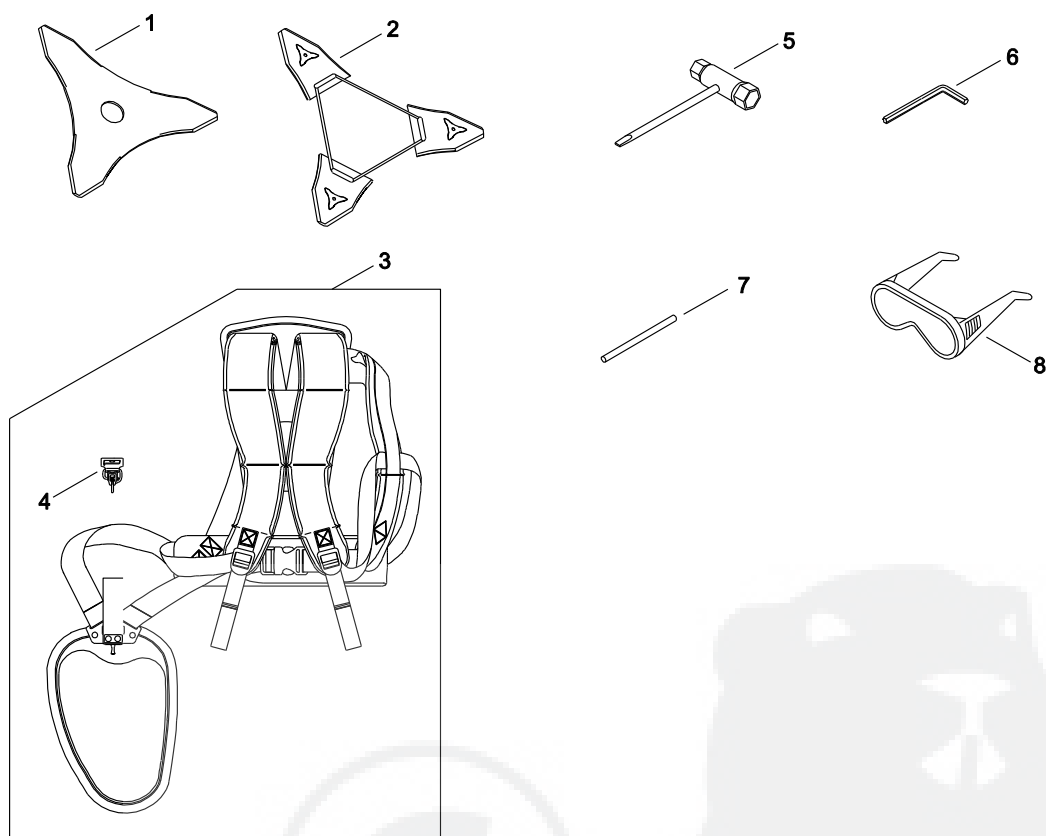
## 12. THROTTLE



KEY	LV	PART NUMBER	Q'TY	DESCRIPTION	REMARKS	NOTE1	NOTE2
1		P021-016210	1	GRIP ASY,F-HANDLE			
1V		P021-047370	1	HANDLE GRIP SET			
2	+	V804-000010	3	BOLT, TORX 4	TT-4*16 DG 10.9		
3	+	V805-000050	1	BOLT, TORX 5	TB-5*30 10.9		
3V	+	V805-000060	1	BOLT, TORX 5	TB-5*35 10.9		
4	+	900500-00005	1	NUT 5	5		
5		C450-000790	1	TRIGGER,THROTTLE			
5V		C450-000890	1	TRIGGER,THROTTLE			
6		C460-000430	1	LOCKOUT,THROTTLE	70MM		
6V		C460-000540	1	LOCKOUT,THROTTLE			
7		C463-000090	1	KNOB,LATCH			
7V		C463-000050	1	KNOB,LATCH			
8		V452-000360	1	SPRING,TORSION			
8V		V452-000060	1	SPRING,TORSION			
9		V452-000350	1	SPRING,TORSION			
9V		V452-001540	1	SPRING,TORSION			
10		V430-004241	1	CABLE,BOWDEN			
10V		V430-004840	1	CABLE,BOWDEN			
11	+	V494-000080	1	CAP			
12	+	900502-00006	2	NUT 6 (3N)	3N6		
13		P021-042890	1	SWITCH,ON OFF ASY			
13V		P021-042891	1	SWITCH,ON OFF ASY			



## 13. ACCESSORIES



KEY	LV	PART NUMBER	Q'TY	DESCRIPTION	REMARKS	NOTE1	NOTE2
1		X405-000151	1	SAW,BUSH CUTTER	3*255*25.4*T3		
2		X495-000270	1	SCABBARD,BLADE			
3		C062-000520	1	HARNES, SHOULDER	SHINDAIWA		
4	+	P021-042910	1	HOOK ASSY			
5		X602-000020	1	TOOL,WRENCH	17*19 L200		
6		X605-000170	1	TOOL,L WRENCH			
7		X606-000080	1	TOOL,BAR	5*120		
8		X690-000080	1	GOGGLE	SI CHINA, Z87.1		

**Index**

<b>Patrs Number</b>	<b>Key No.</b>	<b>Patrs Number</b>	<b>Key No.</b>	<b>Patrs Number</b>	<b>Key No.</b>
100012-19830	1 - 9	610434-50031	10 - 15	A320-001000	8 - 10
100014-17330	1 - 10	610444-56830	10 - 10	A350-002020	7 - 1
100142-12330	3 - 6	699229-56830	10 - 23	A365-000060	7 - 6
100213-05530	2 - 4	890617-43130	11 - 2	A369-000001	7 - 14
101538-28230	11 - 8	900220-04006	10 - 2	A393-000300	9 - 13
123110-03930	6 - 4	900500-00005	12 - 4	A409-001210	3 - 1
123113-47530	6 - 18	900502-00006	12 - 12	A411-001371	3 - 2
123116-05960	6 - 16	900562-00005	10 - 29	A425-000000	3 - 9
123122-03660	6 - 11	900562-50005	11 - 27V	A426-000010	3 - 11
123123-03930	6 - 14	900565-00005	9 - 5	A427-000060	3 - 10
123125-15030	6 - 5	900565-00005	10 - 26	A429-000090	3 - 12
123126-10631	6 - 2	900565-50008	11 - 7	A500-001560	9 - 3
123127-03930	6 - 27	900603-50008	10 - 16	A507-000140	9 - 4
123127-10630	6 - 22	900701-00012	4 - 12	A514-000280	3 - 15
123130-02960	6 - 28	900701-00012	10 - 12	A552-000390	4 - 2
123133-04260	6 - 23	900702-00028	4 - 10	A553-000170	4 - 4
123134-04260	6 - 24	900702-00028	10 - 11	A556-001540	4 - 11
123137-19830	6 - 7	900702-00032	10 - 9	A557-000190	4 - 7
123138-03930	6 - 13	900720-00012	10 - 21	A566-000230	4 - 5
123139-03930	6 - 12	900800-06001	10 - 7	A570-000291	4 - 8
123140-03930	6 - 8	900803-06001	10 - 8	C062-000520	13 - 3
123142-03930	6 - 10	900810-00629	10 - 5	C400-001320	11 - 18
123146-10631	6 - 15	900812-06201	10 - 6	C400-001440	11 - 18V
123149-54230	6 - 21	900888-36201	2 - 3	C403-000031	11 - 19
123172-26030	6 - 20	91316-04010	10 - 31	C403-000810	11 - 19V
123181-39130	5 - 9	92105-08000	3 - 7	C415-000180	11 - 4
130110-16430	7 - 15	94018-46001	4 - 9	C423-000910	11 - 20
130111-00530	7 - 11	A011-001230	1 - 1	C423-000920	11 - 21
131016-55830	7 - 5	A021-003840	5 - 11	C423-000960	11 - 20V
131300-56431	7 - 17	A021-003840	6 -	C423-000970	11 - 21V
131328-40630	7 - 18	A051-002710	9 - 2	C427-000050	11 - 9
131920-61830	7 - 3	A101-000160	1 - 6	C441-000000	11 - 25V
132115-55930	7 - 7	A130-002070	1 - 2	C450-000790	12 - 5
145862-40630	8 - 4	A160-002620	1 - 11	C450-000890	12 - 5V
156110-04920	2 - 11	A160-002721	1 - 13	C460-000430	12 - 6
156114-07320	3 - 5	A172-002240	9 - 1	C460-000540	12 - 6V
159116-21231	2 - 9	A175-000331	7 - 21	C463-000050	12 - 7V
175049-03920	11 - 23	A200-000990	5 - 1	C463-000090	12 - 7
177227-42030	9 - 6	A202-000251	5 - 3	C480-000150	11 - 13
177228-27030	9 - 12	A209-000720	5 - 6	C487-000410	5 - 7
177247-04630	3 - 17	A209-000730	5 - 8	C550-000501	10 - 25
610011-49931	11 - 3	A209-000740	2 - 8	C550-000541	10 - 27
610300-56930	10 - 3	A226-001730	5 - 18	C550-000560	10 - 34
610310-56933	10 - 4	A226-001740	5 - 19	C552-000200	10 - 30
610313-52132	10 - 19	A227-000040	5 - 20	C554-000030	10 - 35
610313-52932	10 - 18	A232-001660	5 - 16	C610-000070	11 - 15
610314-52130	10 - 22	A244-000290	5 - 14	C648-000040	11 - 11
610320-52130	10 - 24	A300-001700	8 - 1	P003-001850	6 - 9
610352-56830	10 - 20	A313-001910	8 - 2	P003-001930	6 - 6

**Index**

<b>Patrs Number</b>	<b>Key No.</b>	<b>Patrs Number</b>	<b>Key No.</b>	<b>Patrs Number</b>	<b>Key No.</b>
P003-002270	6 - 26	V453-000230	4 - 6	V835-000000	2 - 10
P003-002380	6 - 17	V470-000840	7 - 12	V835-000000	7 - 22
P003-003930	6 - 3	V471-002310	7 - 8	V835-000010	5 - 5
P003-004460	6 - 25	V471-003950	7 - 20	V835-000030	5 - 2
P003-005020	6 - 19	V471-004040	2 - 12	V835-000030	9 - 15
P021-016210	12 - 1	V471-004050	5 - 21	X405-000151	13 - 1
P021-035680	7 - 4	V475-007540	3 - 13	X495-000270	13 - 2
P021-041140	4 - 1	V475-007550	3 - 14	X504-007320	1 - 15
P021-041342	10 - 1	V475-007610	2 - 13	X504-007330	9 - 16
P021-041380	2 - 1	V475-007610	7 - 16	X505-002310	8 - 13
P021-041390	1 - 5	V485-002331	3 - 4	X602-000020	13 - 5
P021-042880	5 - 13	V485-002570	2 - 7	X605-000170	13 - 6
P021-042890	12 - 13	V490-000440	5 - 22	X606-000080	13 - 7
P021-042891	12 - 13V	V490-001220	11 - 24	X690-000080	13 - 8
P021-042900	10 - 33	V490-001240	7 - 9		
P021-042910	13 - 4	V490-001240	7 - 13		
P021-047220	11 - 1	V490-001240	7 - 19		
P021-047370	12 - 1V	V494-000080	12 - 11		
P022-004680	9 - 9	V495-002880	11 - 16		
P022-023100	9 - 11	V505-000020	2 - 2		
P022-023110	9 - 10	V541-000540	8 - 11		
P022-023120	9 - 8	V580-000010	1 - 8		
P022-023140	9 - 7	V608-000000	1 - 7		
V100-000760	1 - 3	V804-000010	12 - 2		
V102-000250	2 - 5	V804-000030	8 - 5		
V103-000471	5 - 12	V805-000050	12 - 3		
V103-001610	5 - 10	V805-000060	12 - 3V		
V103-001620	5 - 4	V805-000070	11 - 26V		
V104-002020	8 - 6	V805-000100	5 - 15		
V104-002030	8 - 7	V805-000130	4 - 15		
V104-002040	8 - 3	V805-000130	10 - 17		
V150-003590	11 - 10	V805-000140	3 - 18		
V186-000510	7 - 10	V805-000150	3 - 8		
V253-000100	5 - 17	V805-000150	9 - 14		
V263-000020	11 - 6	V805-000150	10 - 36		
V299-000110	11 - 22	V805-000150	11 - 12		
V353-000630	3 - 3	V805-000150	11 - 17		
V355-000750	11 - 5	V805-000160	4 - 14		
V376-001980	4 - 3	V805-000170	4 - 13		
V420-004100	11 - 14	V805-000170	10 - 28		
V423-000090	7 - 2	V805-000210	1 - 4		
V430-004241	12 - 10	V805-000250	8 - 9		
V430-004840	12 - 10V	V805-000260	8 - 12		
V452-000060	12 - 8V	V805-000260	10 - 32		
V452-000350	12 - 9	V805-000290	2 - 6		
V452-000360	12 - 8	V806-000050	8 - 8		
V452-001310	10 - 14	V806-000100	10 - 13		
V452-001471	3 - 16	V835-000000	1 - 12		
V452-001540	12 - 9V	V835-000000	1 - 14		

# YAMABIKO CORPORATION

7-2 SUEHIROCHO 1-CHOME, OHME, TOKYO 198-8760, JAPAN  
PHONE: 81-428-32-6118. FAX: 81-428-32-6145.



-14C  
No. 05-021