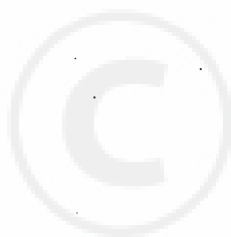


shindaiwa

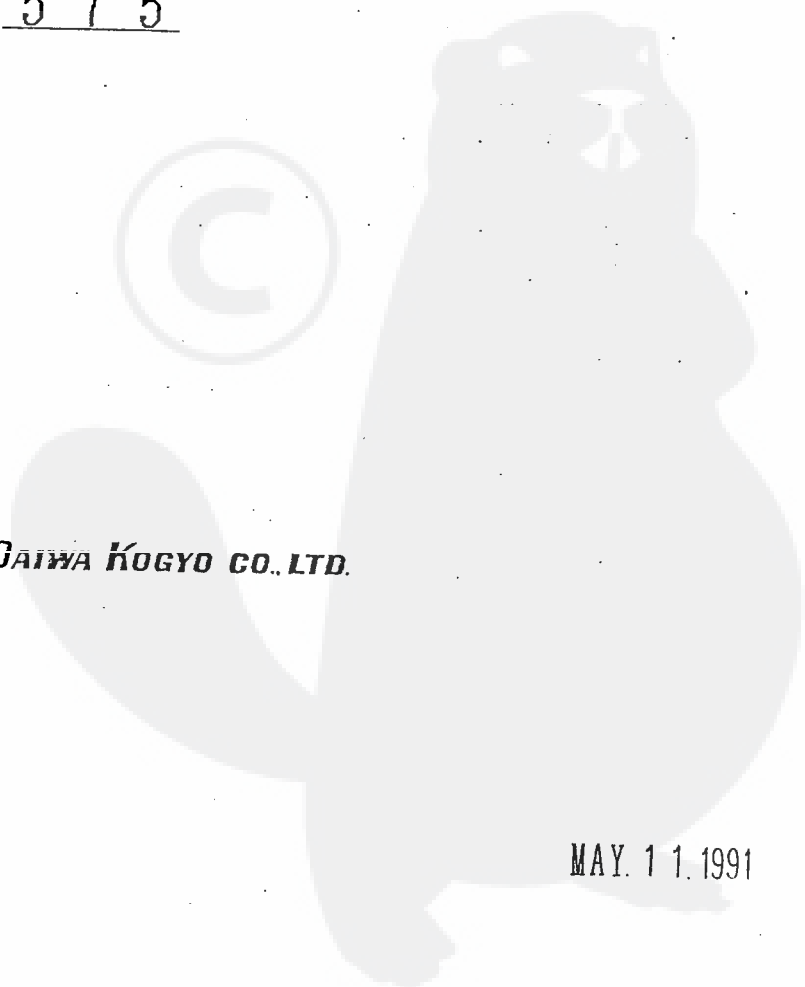
PARTS PRICE LIST

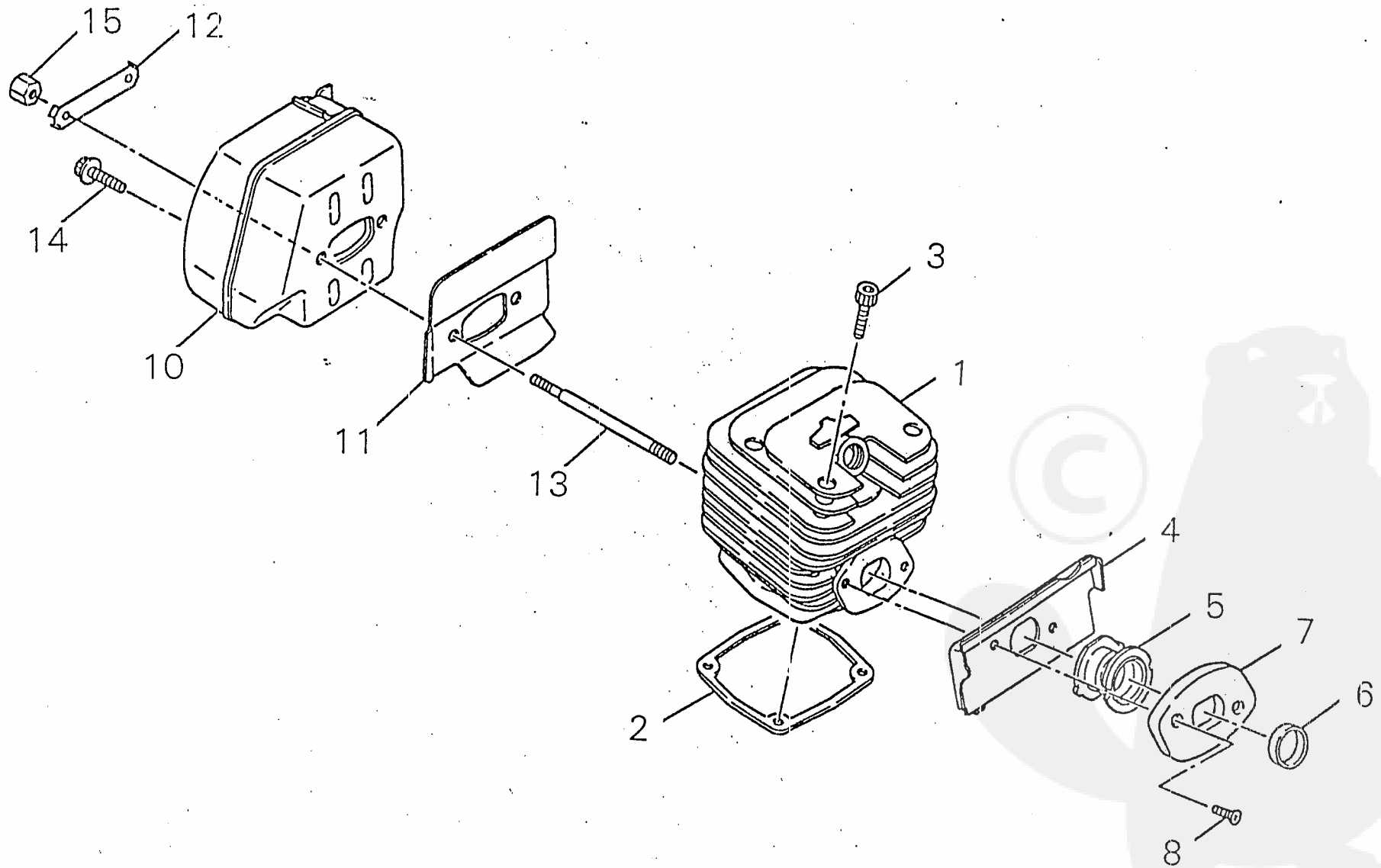
575

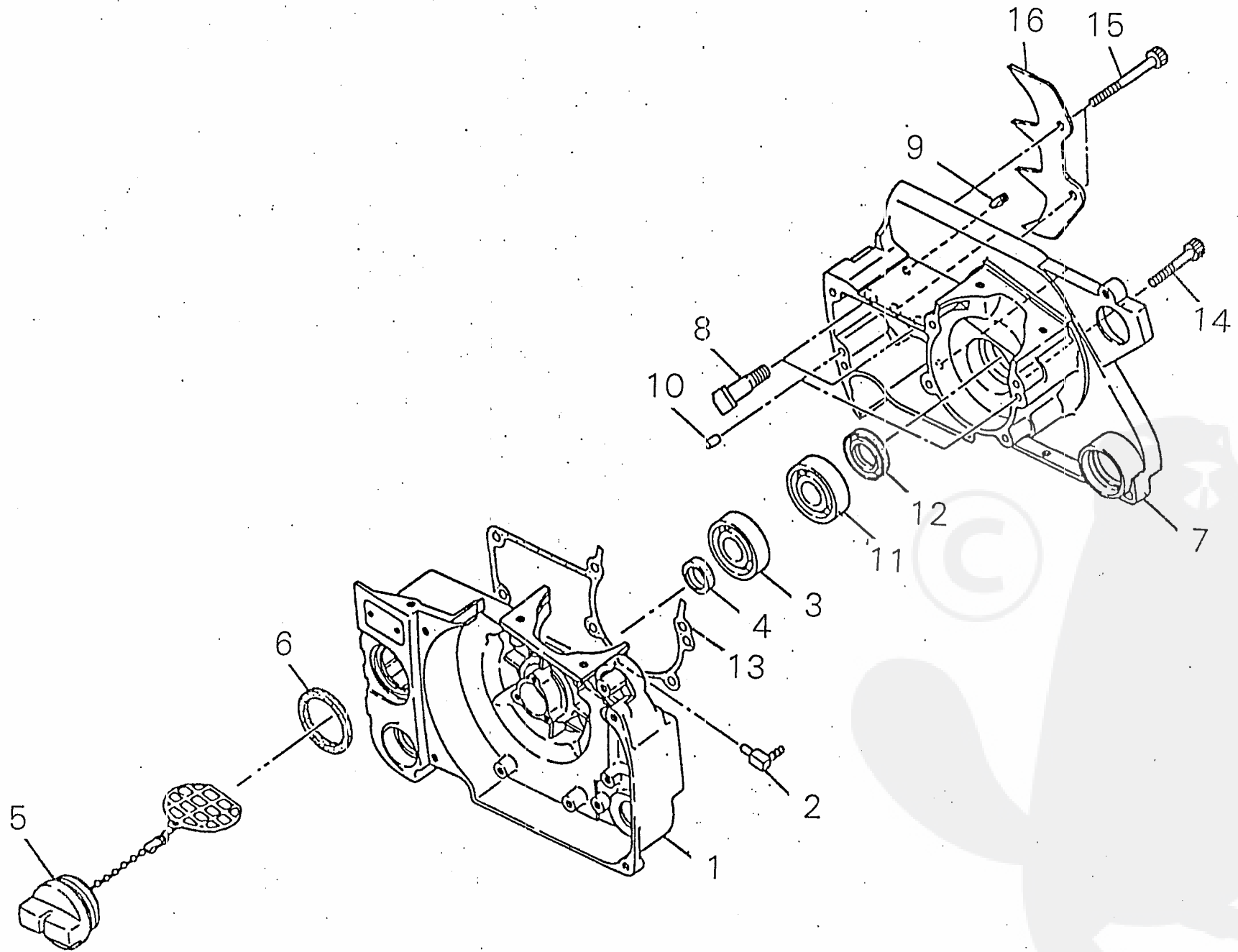


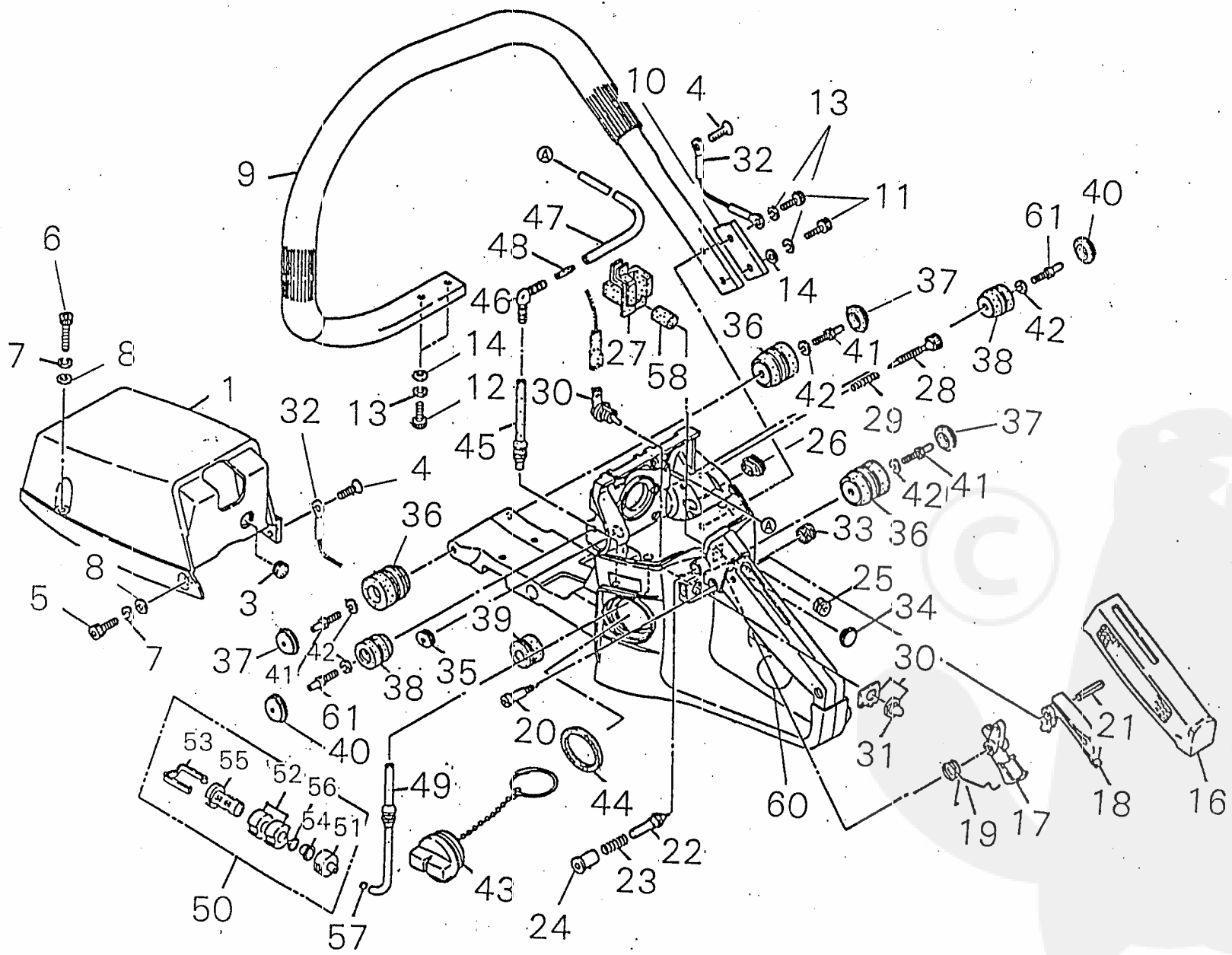
SHIN-DAIWA KOGYO CO., LTD.

MAY. 11, 1991







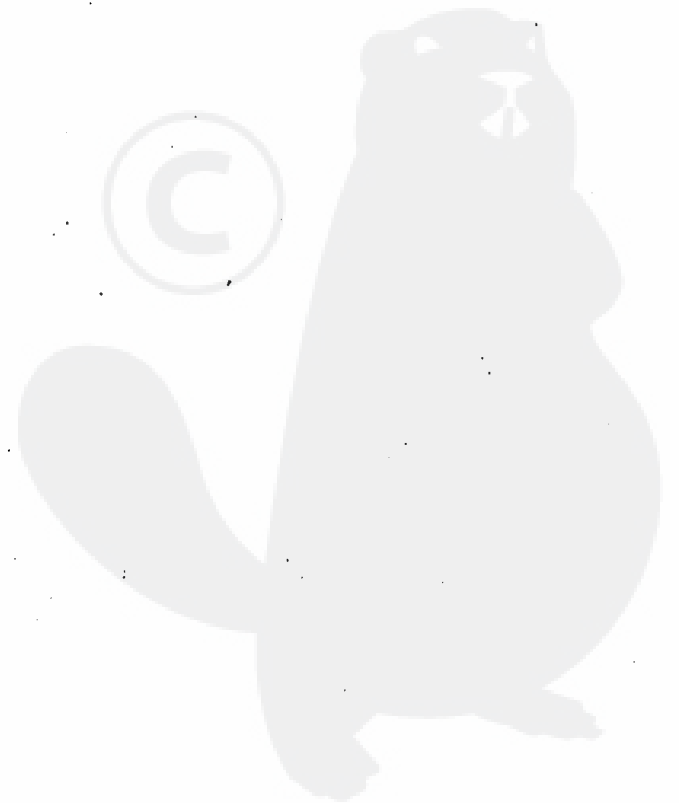
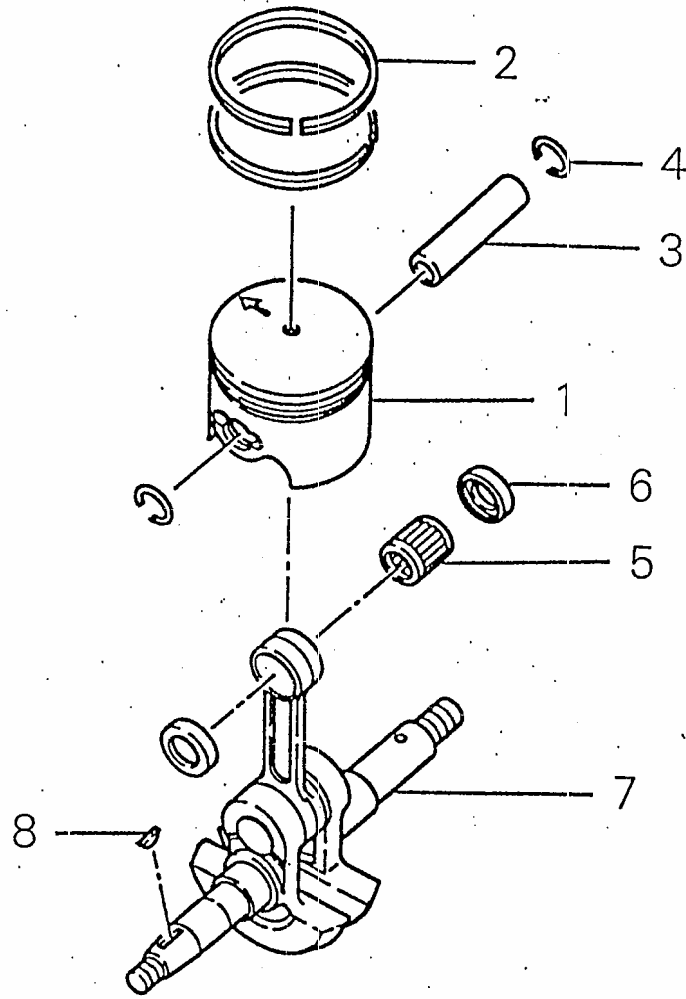


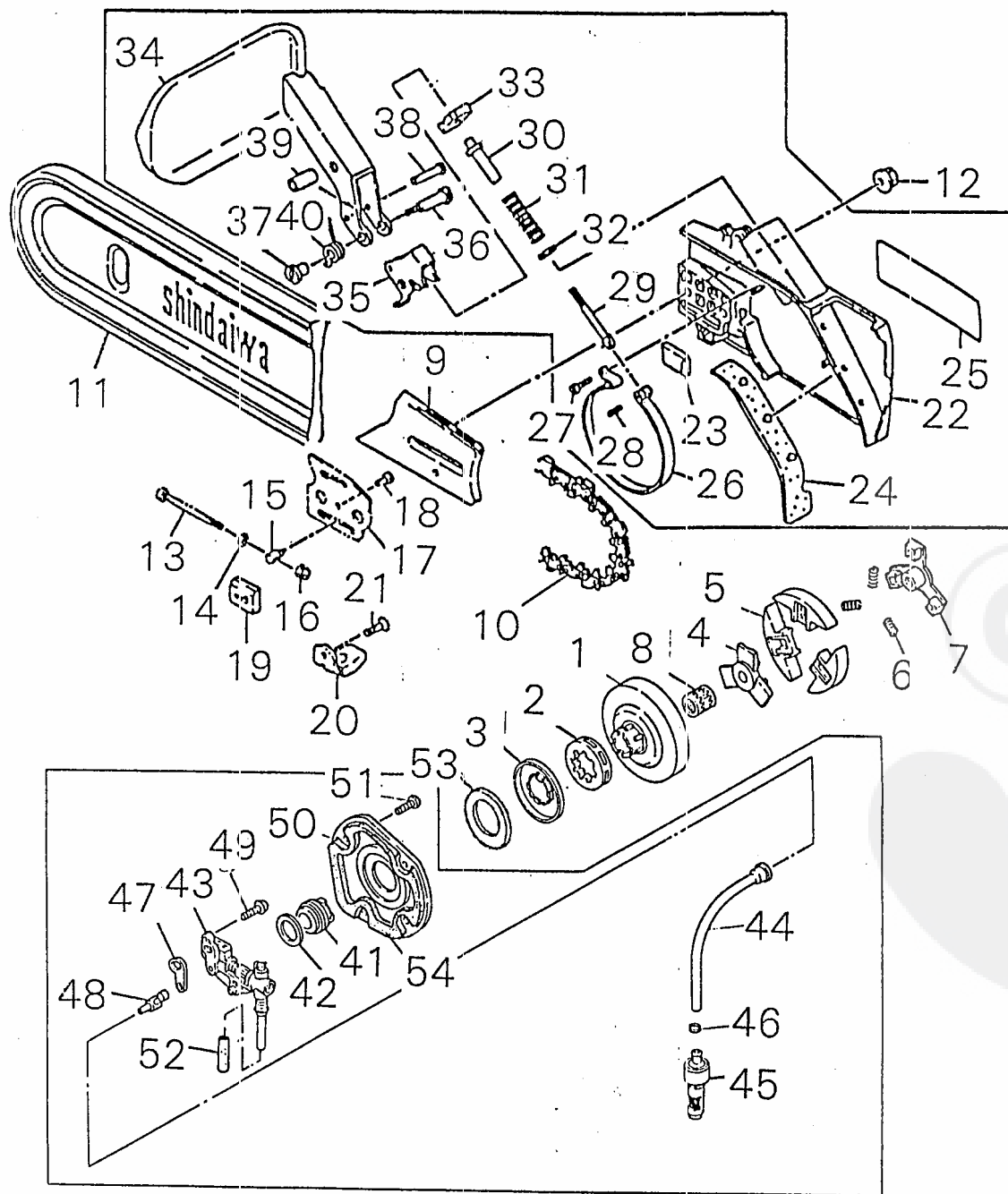
PRICE:(ST)

Ref. No	Part No.	Part Name	Q'ty	emarks
3- 1	22155-31110	COVER	1	
3	22102-32140	PLUG BRACKET	1	
4	22155-31310	SCREW	1	
5	01020-05160	BOLT	1	
6	01020-05250	BOLT	1	
7	01600-05131	SPRING WASHER	2	
8	01610-05080	WASHER	2	
9	22150-32112	FRONT HANDLE	1	
10	22150-32120	BRACKET	1	
11	22155-32190	BOLT	2	
12	01020-05160	BOLT	2	
13	01600-05131	SPRING WASHER	4	
14	01610-05080	WASHER	3	
	22150-33101	REAR HANDLE SUB ASSY	1	
16	22150-33310	• GRIP HANDLE	1	
17	22150-33321	• THROTTLE LEVER	1	
18	22150-33331	• LOCK LEVER	1	
19	22150-33340	• SPRING LEVER	1	
20	22150-33360	• BOLT LEVER	1	
21	02427-50225	• SPRING PIN	1	
22	72171-33170	• STOPPER	1	
23	22100-33180	• SPRING	1	
24	22100-33190	• KNOB STOPPER	1	
60	72139-33210	CAUTION PLATE B	1	
25	22150-33410	GROMMET CHOKE	1	
26	22150-33420	GROMMET CARBUERTOR	1	
27	22150-33430	GROMMET ROD	1	
28	22155-33450	ADJUST SCREW	1	
29	22155-33460	SPRING ADJUST	1	
30	22155-33501	SWITCH ASSY	1	
31	22155-33530	• NUT	1	
32	22150-33610	EARTH CORD	1	
33	72930-12150	GROMMET A	1	
34	22150-33630	PLUG	1	
35	22150-33640	GROMMET	1	
36	22155-33710	CUSHION 26	3	
37	22150-33720	PLUG 26	3	
38	22155-33730	CUSHION 22	2	

PARTS LIST
SHINDAIWA
(LI38 LIA0380P)

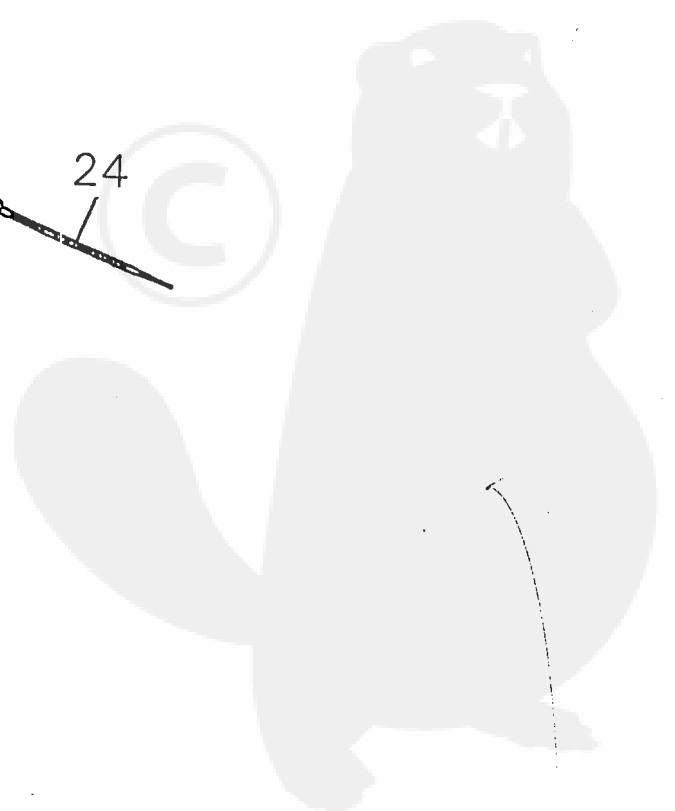
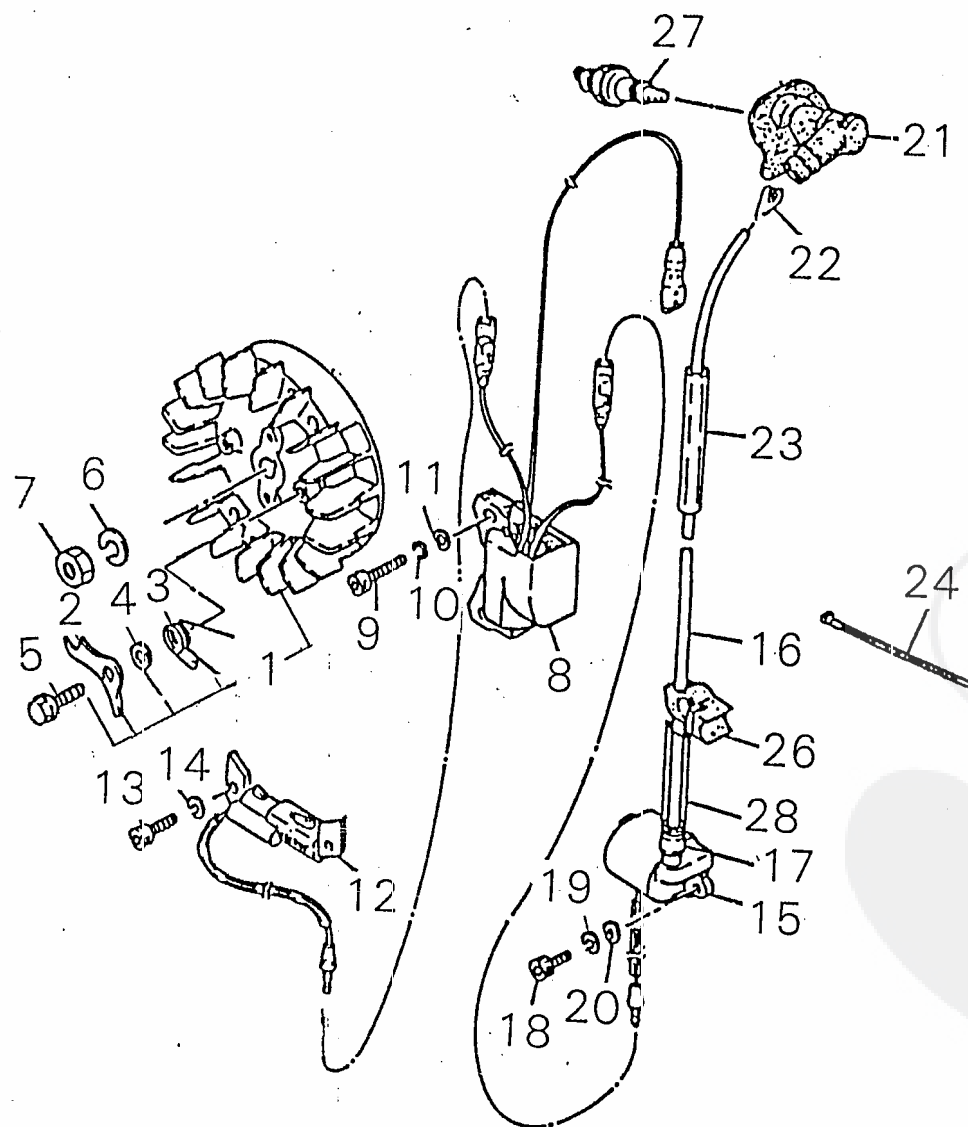
580/575VK-16

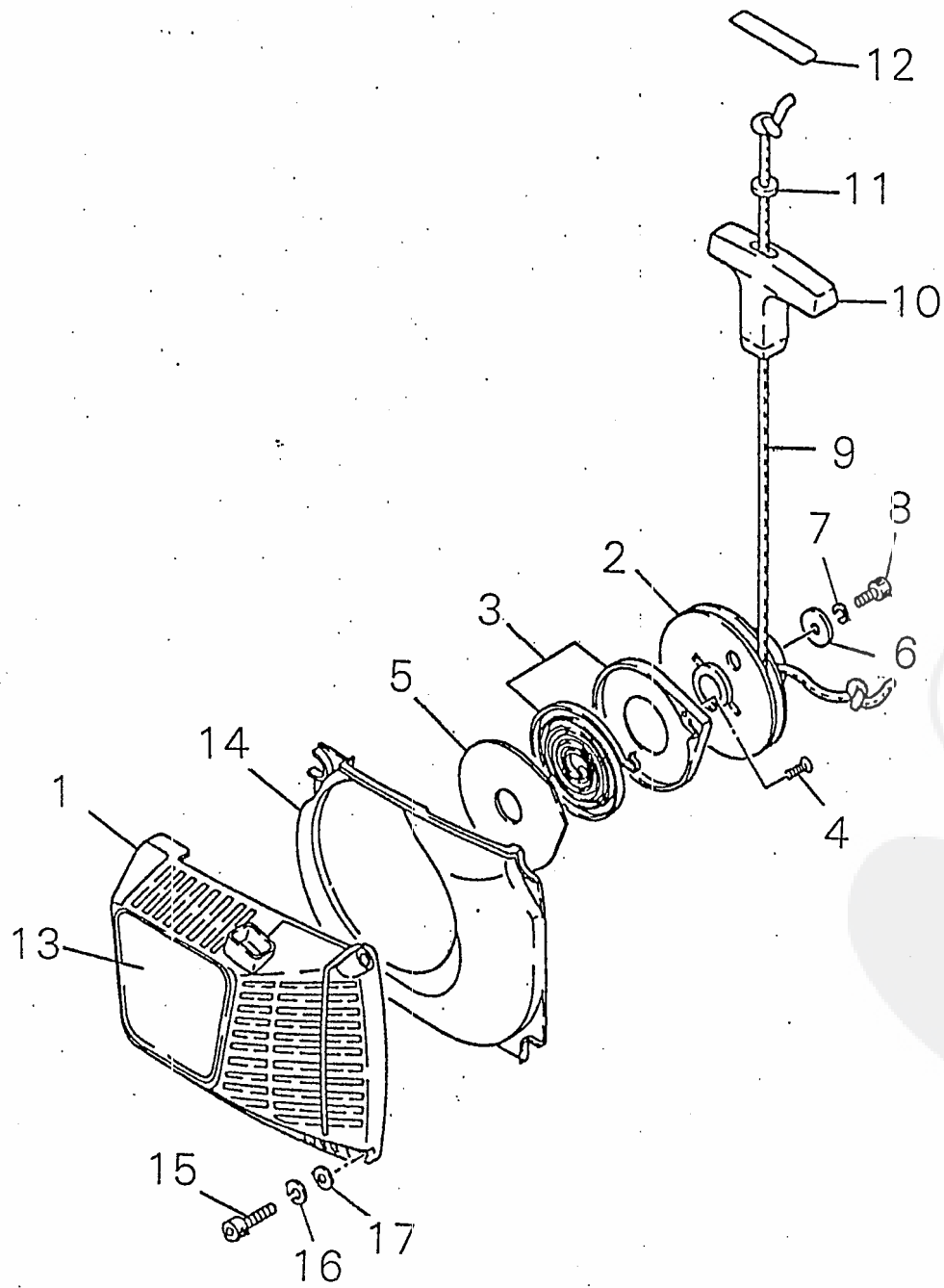


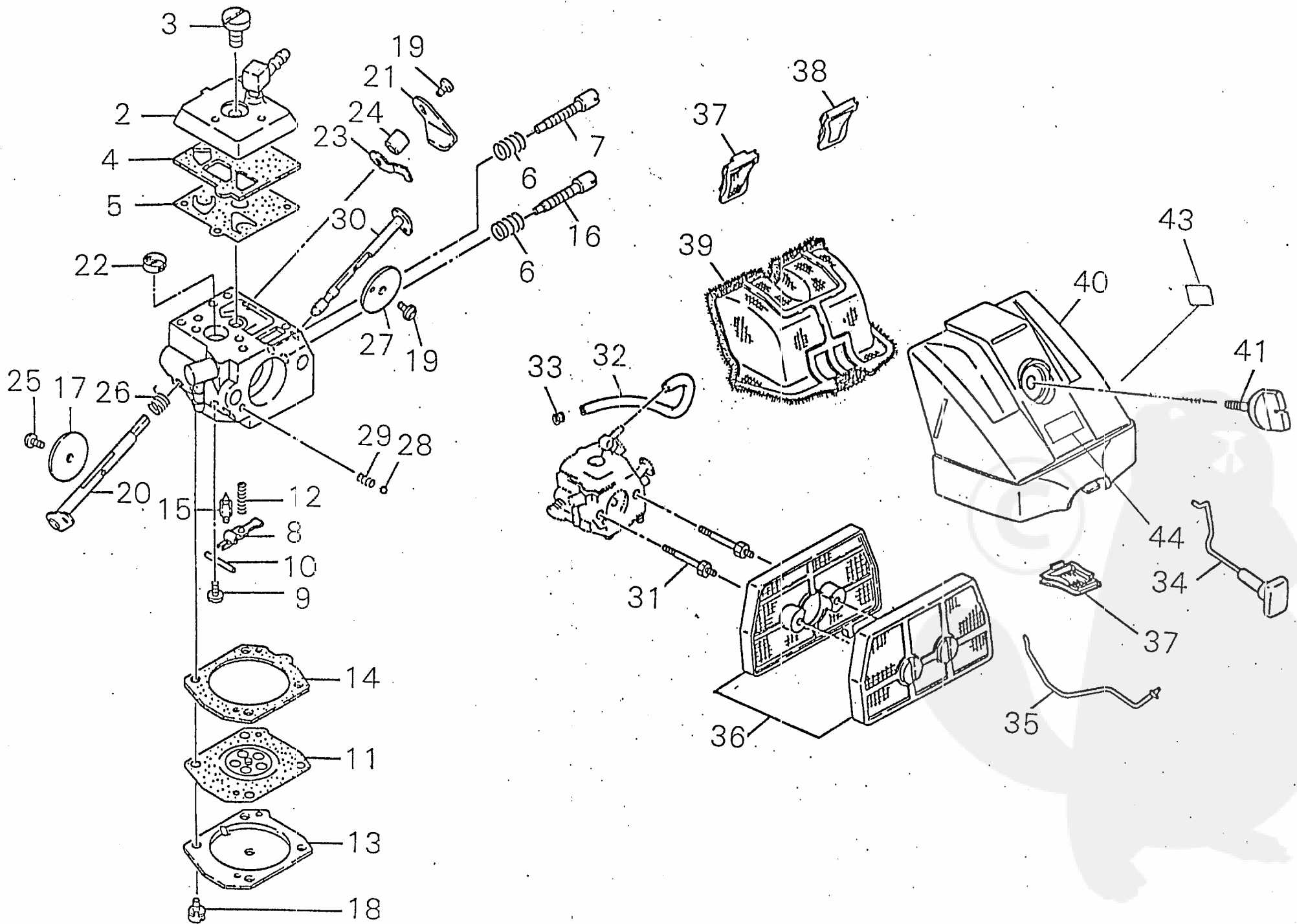


PRICE:(ST)

Ref. No	Part No.	Part Name	Q'ty	Remarks
5-	22155-51500	CLUTCH DRUM ASSY	1	
1	22150-51510	• CLUTCH DRUM	1	
2	22150-51520	• RIM	1	
3	22155-51530	• COVER	1	
53	22155-51550	FILTER B	1	
	22155-51200	CLUTCH ASSY	1	
4	22155-51210	• CLUTCH BOSS A	1	
5	22155-51220	• CLUTCH SHOE	3	
6	22150-51230	• CLUTCH SPRING	3	
7	22155-51240	• CLUTCH BOSS B	1	
8	22150-51310	BEARING	1	
9	72268-52710	GUIDE BAR 16	1	
10	18046-00600	SAW CHAIN	1	
11	19600-44100	PROTECTOR	1	
12	22150-52411	NUT	2	
13	22155-53310	SLIDE SCREW	1	
14	01610-05080	WASHER	1	
15	22150-52440	SLIDE PIECE	1	
16	22100-53330	LOCK NUT	1	
17	22150-52460	MOUNT GUARD	1	
18	11205-04100	SCREW PM	1	
19	22150-52470	CHAIN PAT	1	
20	22155-52510	CHAIN CATCHER	1	
21	01201-05120	SCREW	1	
	72281-54000	BRAKE ASSY	1	
	72281-54900	• CLUTCH COVER SUB ASSY	1	
22	22150-54111	• CLUTCH COVER	1	
23	22150-52470	• CHAIN PAT	1	
24	22150-54160	• PROTECTOR	1	
25	72281-54140	• NAME PLATE C	1	
26	22150-54211	• BRAKE BAND	1	
27	22120-54220	• BOLT BAND	1	
28	02427-40125	• SPRING PIN	1	
29	22150-54311	• ADJUST ROD	1	
30	22150-54320	• ADJUST SCREW	1	
31	22150-54330	• BREAK SPRING	1	
32	22150-54340	• WASHER	1	
33	22150-54410	• BROCK	1	





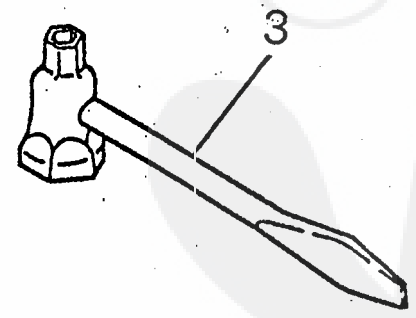
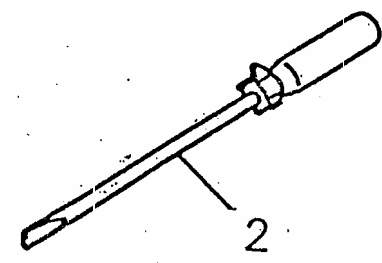
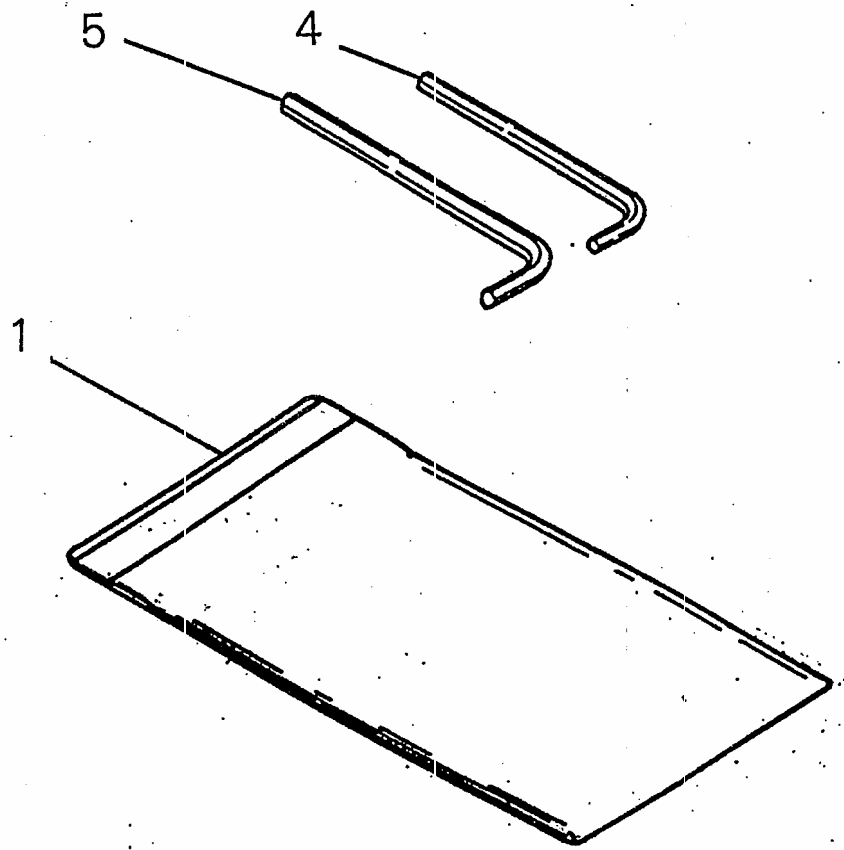


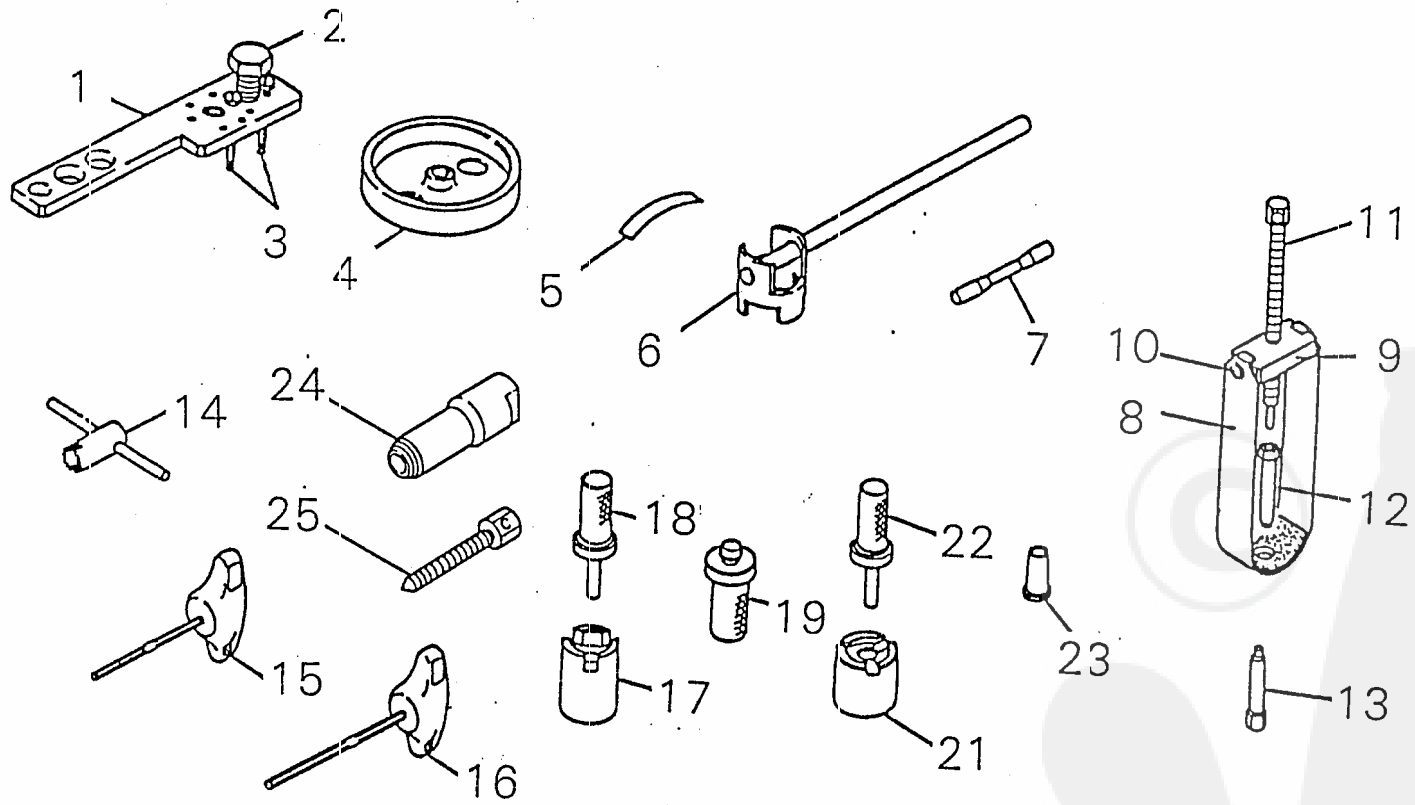
PRICE:(ST)

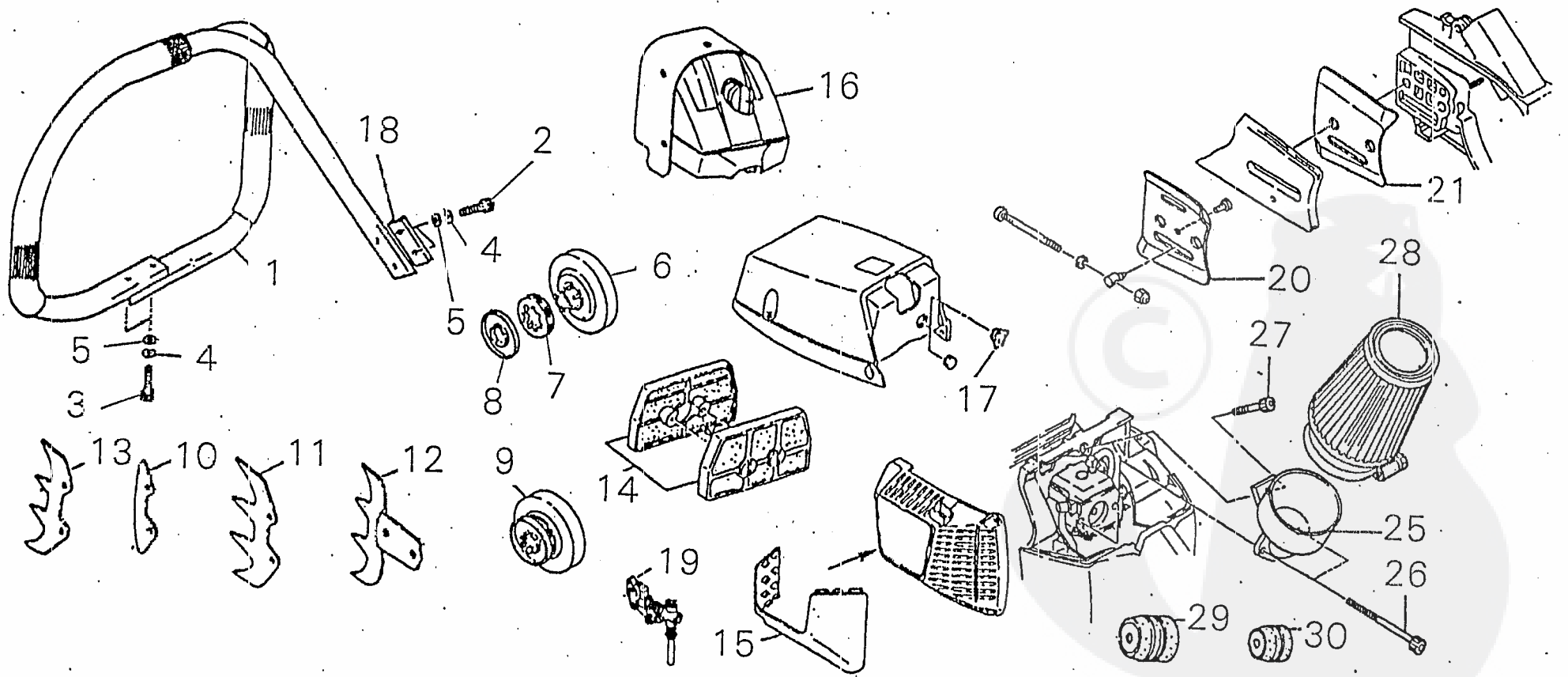
Ref. No.	Part No.	Part Name	Q'ty	Remarks
8-	22152-81001	CARBURETOR ASSY	1	
2	22150-81120	• PUMP COVER ASSY	1	
3	22150-81130	• SCREW	1	
4	22150-81140	• GASKET PUMP	1	
5	22150-81150	• DIAPHRAGM PUMP	1	
6	22100-81160	• SPRING L NEEDLE	2	
7	22150-81170	• L NEEDLE	1	
8	22150-81230	• LEVER	1	
9	22100-81240	• SCREW	1	
10	22100-81250	• PIN	1	
11	22150-81260	• DIAPHRAGM ASSY	1	
12	22150-81270	• SPRING LEVER	1	
13	22150-81280	• COVER DAIPHFRAGM	1	
14	22150-81290	• GASKET DIAPHRAGM	1	
15	20036-81440	• NEEDLE VALVE	1	
16	22152-81330	• H NEEDLE	1	
17	22150-81340	• THROTTLE VALVE	1	
18	22100-81351	• SCREW ASSY	4	
19	22100-81360	• SCREW	2	
20	22150-81370	• SHAFT ASSY	1	
21	22150-81380	• THROTTLE LEVER	1	
22	70030-81380	• SCREEN	1	
23	22150-81390	• STOPPER	1	
24	22150-81410	• SPACER	1	
25	22150-81420	• SCREW ASSY	1	
26	22150-81430	• RETURN SPRING	1	
27	22150-81710	• CHOKE VALVE	1	
28	22150-81720	• BALL	1	
29	22150-81730	• SPRING	1	
30	22150-81740	• SHAFT ASSY	1	
31	22150-82610	BOLT CARBUTETOR	2	
32	22155-82111	PULSE PIPE	1	
33	22150-82140	CLIP PULSE	1	
34	22150-82120	CHOKE ROD	1	
35	22150-82130	THROTTLE ROD	1	
36	22150-82301	AIR CLEANER COMP	1	
37	22150-82411	SUB CLEANER	2	
38	22150-82420	PLUG	1	

PARTS LIST
SHINDAIWA
(LI38 LIA0380P)

580/575VK-16







PRICE: (ST)

Ref. No	Part No.	Part Name	Q'ty	Remarks
11-	22150-97101	FRONT HANDLE ASSY	# 1	
1	22150-97111	• FULL WRAP HAN	1	
18	22150-32120	• BRACKET	1	
2	22155-32190	• BOLT	2	
3	01020-05300	• BOLT	2	
4	01600-05131	• SPRING WASHER	4	
5	01610-05080	• WASHER	3	
	22155-97200	CLUTCH DRUM ASSY	1	
6	22150-51510	• CLUTCH DRUM	1	
7	22150-97220	• RIM	1	
8	22155-51530	• COVER	1	
9	22155-51110	CLUTCH DRUM	1	
	72238-51502	CLUTCH DRUM ASSY	1	
6	22150-51510	• CLUTCH DRUM	1	
7	72238-51120	• RIM	1	
8	22155-51530	• COVER	1	
10	22150-97310	BUMPER	1	
11	22150-97320	LONG SPIKE	1	
12	22150-97330	SPIKE C	1	
13	22150-56250	SPIKE	1	
14	72231-82300	AIR CLEANER COMP	1	
15	22155-97510	SNOW COVER	1	
16	22155-97400	WINTER COVER COMP	1	
17	22155-97520	DUCT	1	
19	22150-97550	OIL PUMP	1	
20	22155-97610	GUIDE PLATE A	1	
21	22155-97620	GUIDE PLATE B	1	
	22155-97705	CLEANER SET	# 1	
	72230-97707	• JOINT SET	# 1	
25	22155-97710	• JOINT	1	
26	01020-05160	• BOLT	1	
27	01020-05500	• BOLT	2	
28	22155-97720	• AIR CLEANER	1	
29	22155-97810	CUSHION 26	3	
30	22155-97820	CUSHION 22	2	