

shindaiwa

PARTS PRICE LIST

377

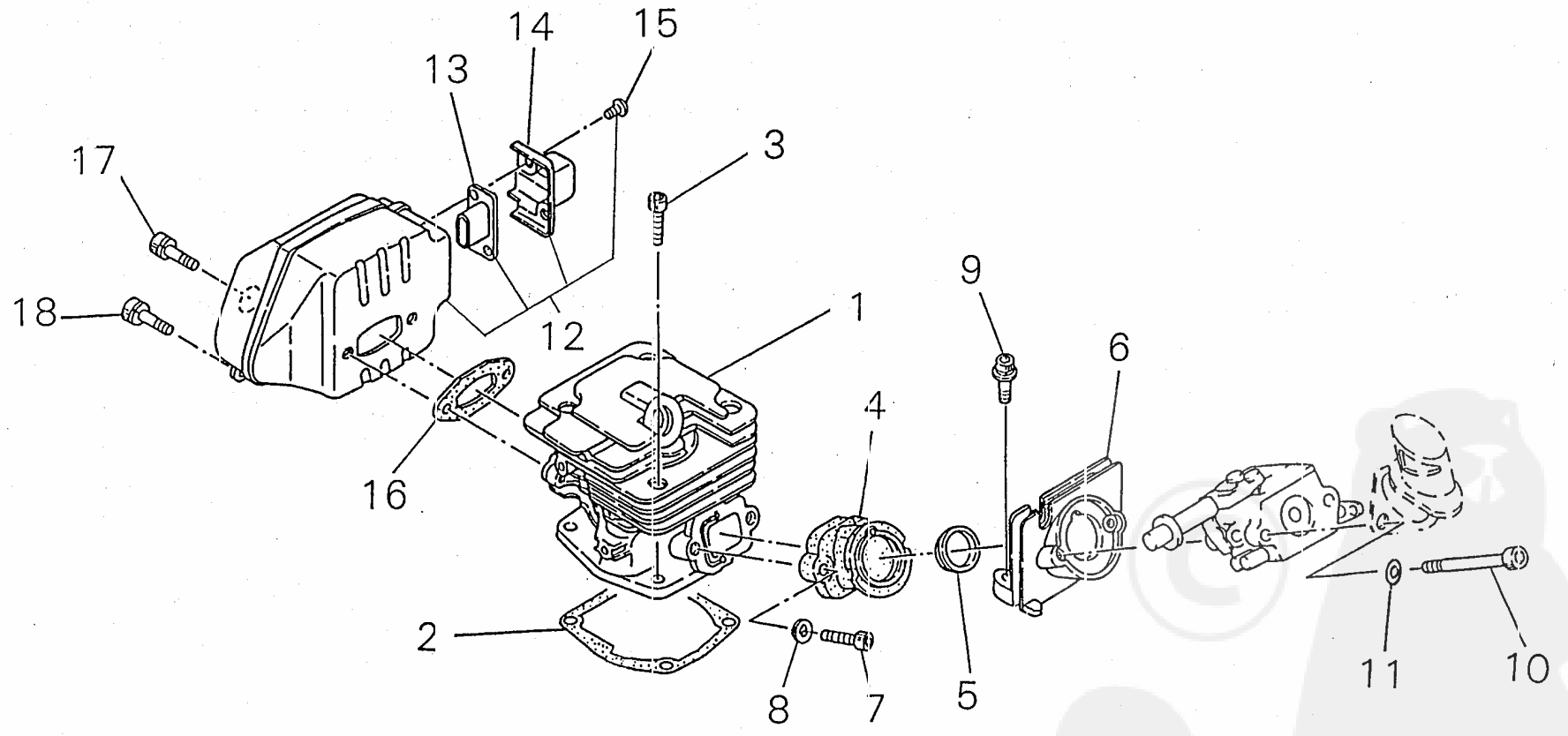
SHIN-DAIWA KOGYO CO., LTD.

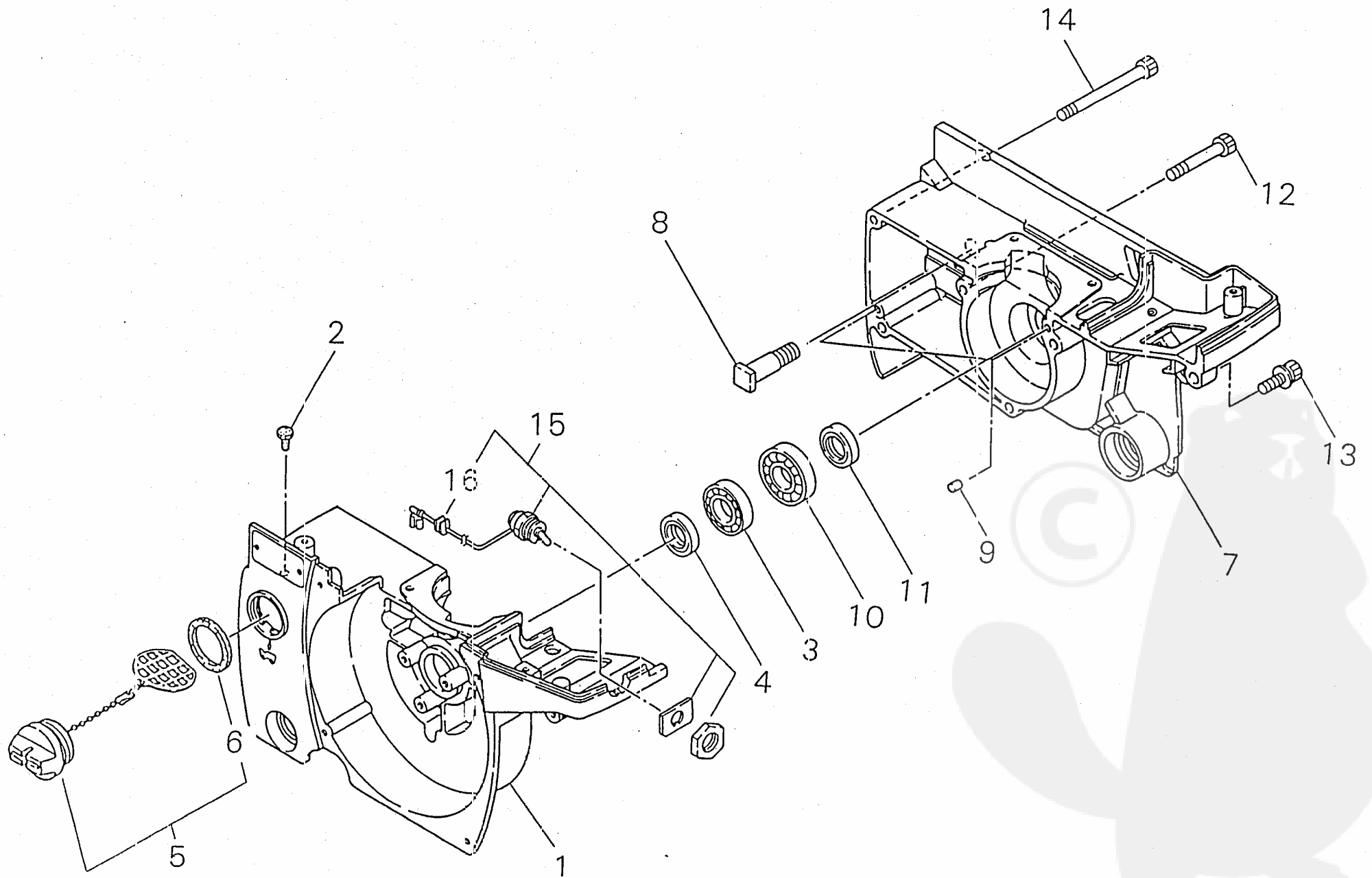
35, Ooaza Shin-Ujigami, Chiyoda-cho Yamagata-gun, Hiroshima, 731-15 Japan

Telephone (082672) 6019 SDKHIR Fax (082672) 7005

377/CE

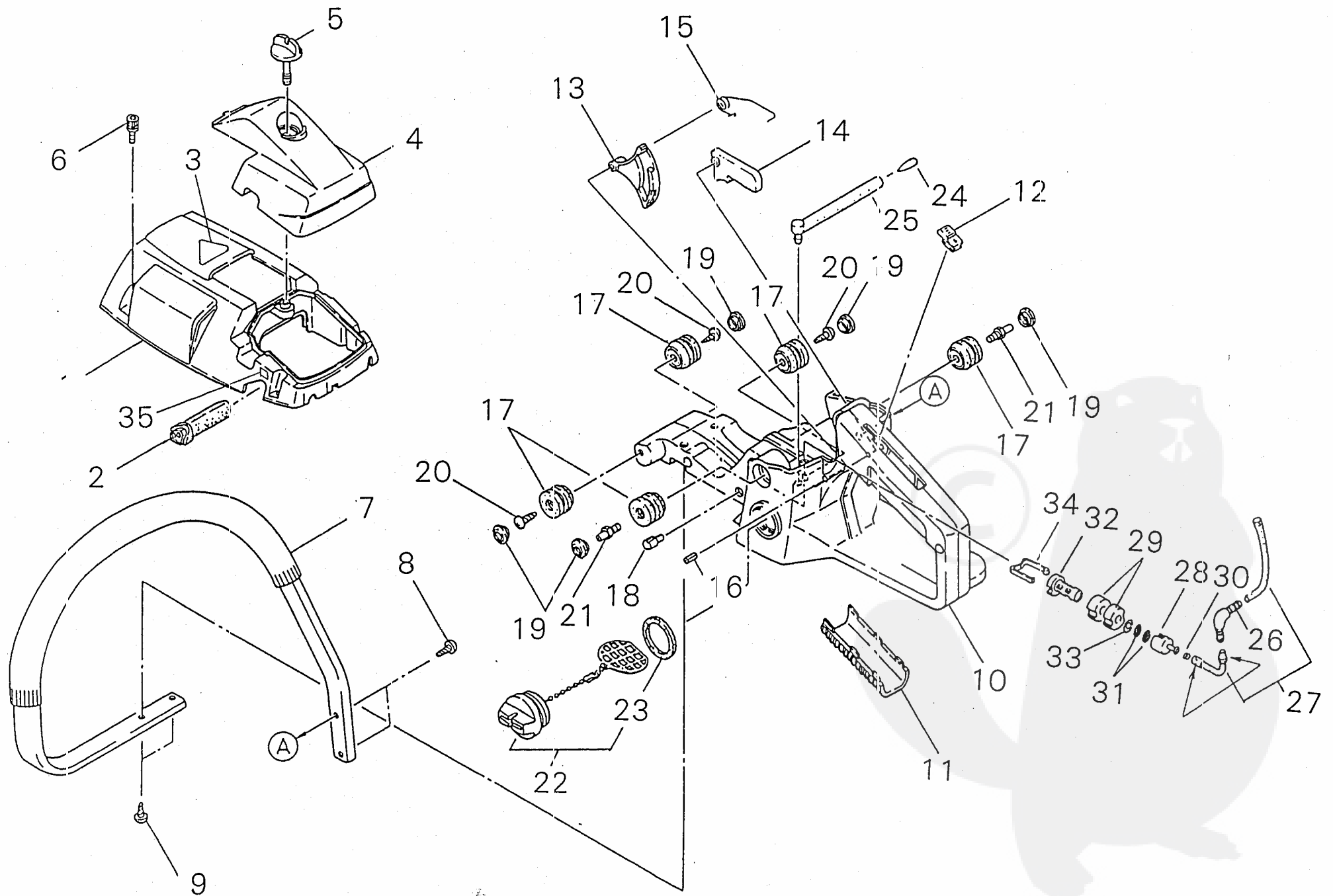
MAY. 8. 1998





PRICE: (¥)

Ref. No.	Part No.	Part Name	Q'ty	Remarks
2-	22159-21200	CRANK CASE M COMP	1	
1	22159-21210	• CRANK CASE M	1	
2	22115-57120	• VALVE OIL TANK	1	
3	12900-60010	• BEARING	1	
4	22150-21250	• OIL SEAL	1	
5	22160-21302	OIL CAP ASSY	1	
6	22160-21351	• GASKET CAP	1	
	22159-21500	CRANK CASE C COMP	1	
7	22159-21510	• CRANK CASE C	1	
8	22120-12260	• BOLT BAR	2	
9	12492-40080	• ROLLER	2	
10	12900-62010	• BEARING	1	
11	22150-21250	• OIL SEAL	1	
12	11060-05300	BOLT ADHESIVE	3	
13	11060-05182	BOLT ADHESIVE	1	
14	11060-05450	BOLT ADHESIVE	2	
15	22156-22100	SWITCH ASSY	1	
16	22156-22150	• GROMMET	1	

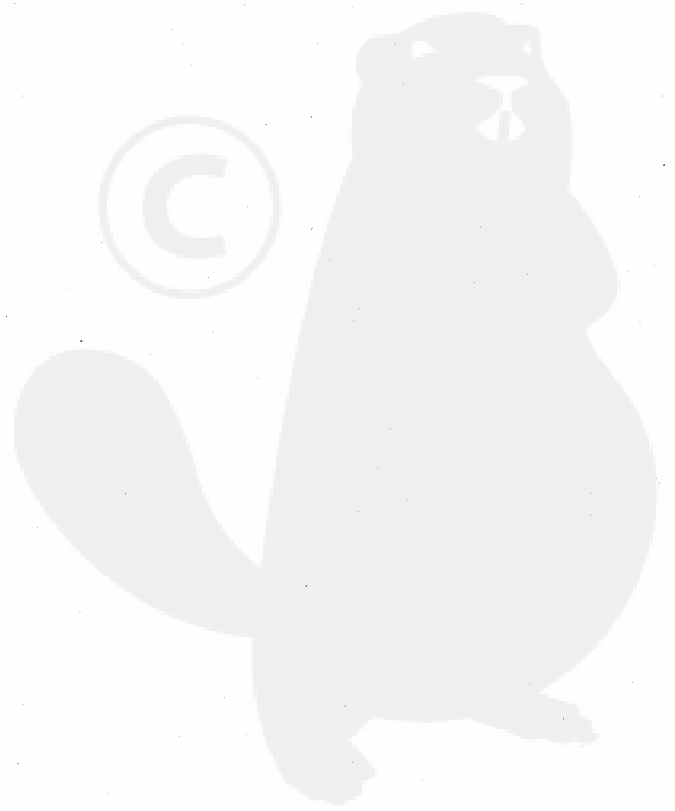
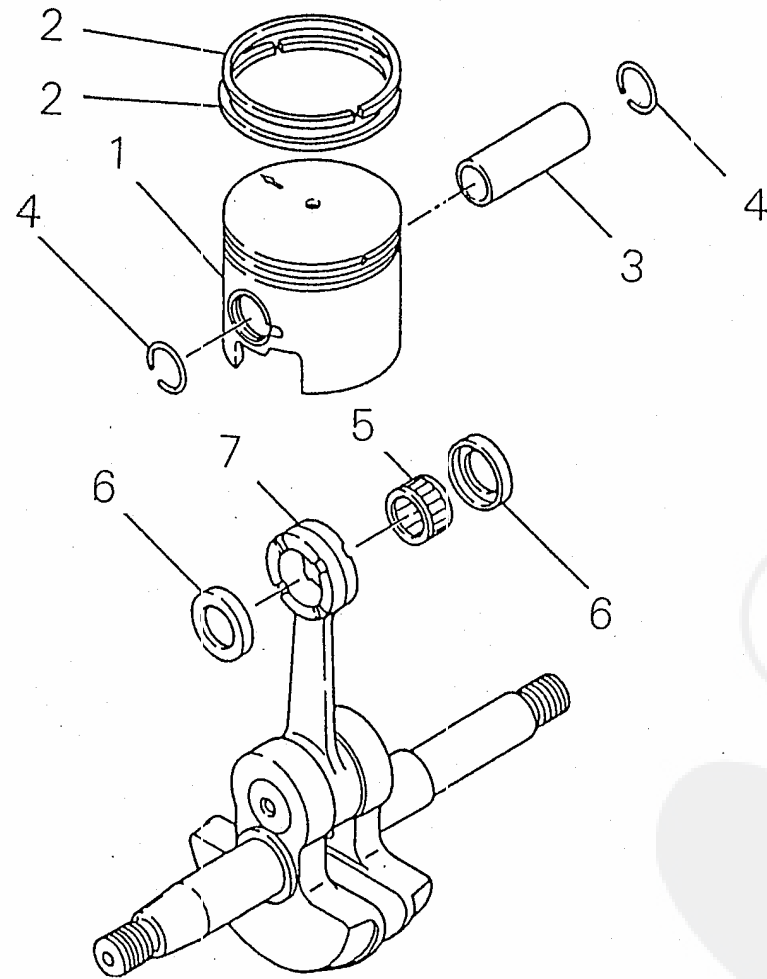


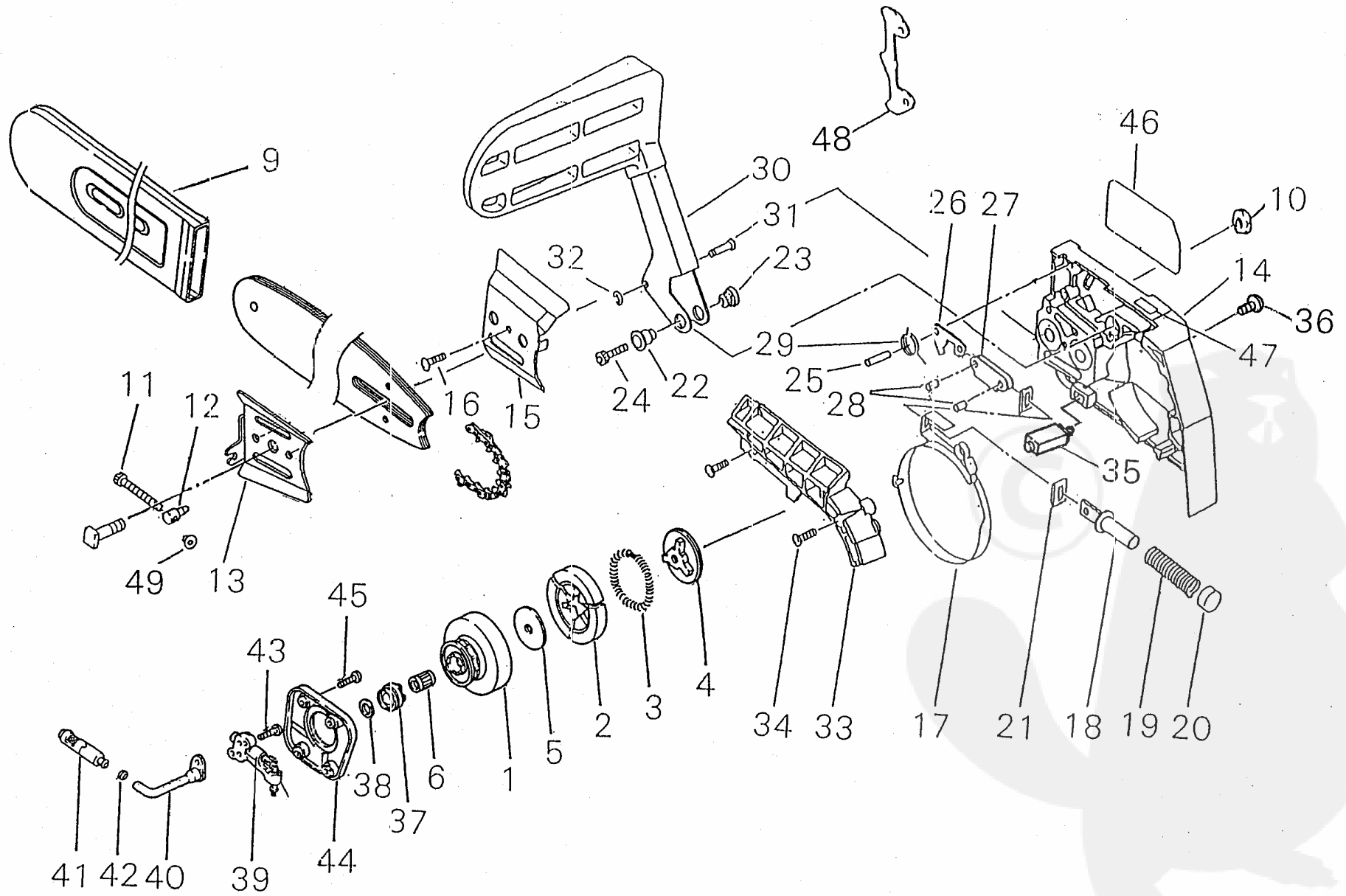
PRICE:(¥)

Ref. No	Part No.	Part Name	Q'ty	marks
3- 1	22180-31110	CYLINDER COVER	1	
2	22156-31120	GROMMET HL	1	
3	19402-00083	LABEL CAUTION	1	
4	22159-31210	CLEANER COVER	1	
5	22155-82520	KNOB CLEANER COVER	1	
6	11060-04160	BOLT ADHESIVE	3	
7	22156-32110	FRONT HANDLE	1	
8	11029-50210	BOLT HILO	2	
9	11029-50170	BOLT HILO	2	
	22156-33100	REAR HANDLE SUB ASSY	1	
10	22156-33200	• REAR HANDLE	1	
11	22156-33230	• GRIP	1	
12	22154-33310	• SLIDE STOPPER	1	
13	22154-33320	• THROTTLE LEVER	1	
14	22154-33330	• LOCK LEVER	1	
15	22154-33340	• SPRING LEVER	1	
16	12420-40255	• SPRING PIN	2	
17	22154-33731	CUSHION 22	5	
18	22154-33750	SUPPORTER	1	
19	22154-33740	PLUG 22	5	
20	22156-33750	BOLT HILO	3	
21	22154-33761	STOP BOLT 22	2	
22	22137-33800	FUEL CAP ASSY	1	
23	22160-21351	• GASKET CAP	1	
	22154-33900	BREATHER ASSY	1	
24	22155-33950	• ELEMENT	1	
25	22154-33940	• PIPE	1	
26	22155-33930	JOINT	1	
	22159-34100	FUEL PIPE ASSY	1	
27	22159-34110	• FUEL PIPE	1	
	22115-85401	• FUEL FILTER SUB ASSY	1	
28	22128-85410	•• WEIGHT FUEL	1	
29	22128-85421	•• FILTER	2	
30	22128-85440	•• CLIP FILTER	1	
31	22118-85460	•• SCREEN	2	
32	22128-85470	•• SLEEVE	1	
33	22128-85480	•• RING	1	
34	20020-85540	CLIP	1	

PARTS LIST
SHINDAIWA
(LI38 LIA0380P)

E



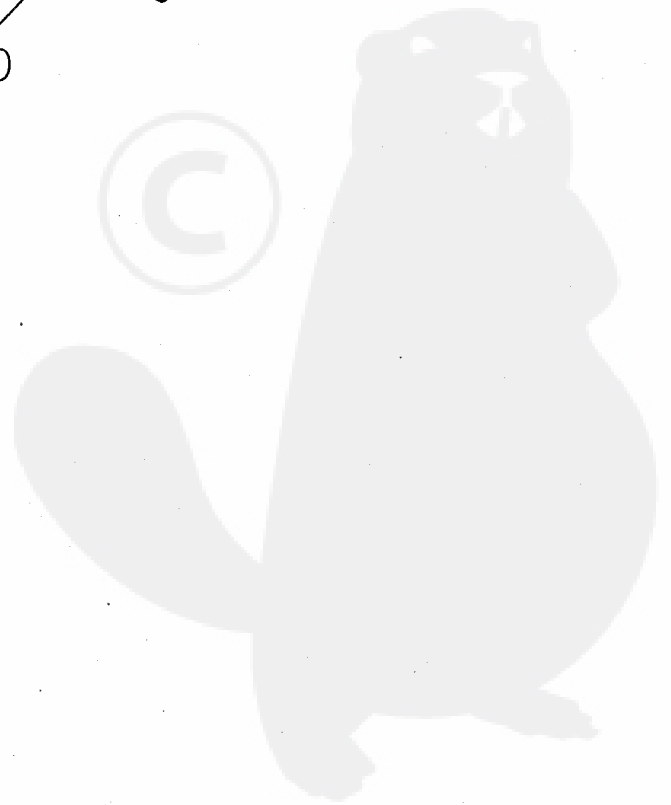
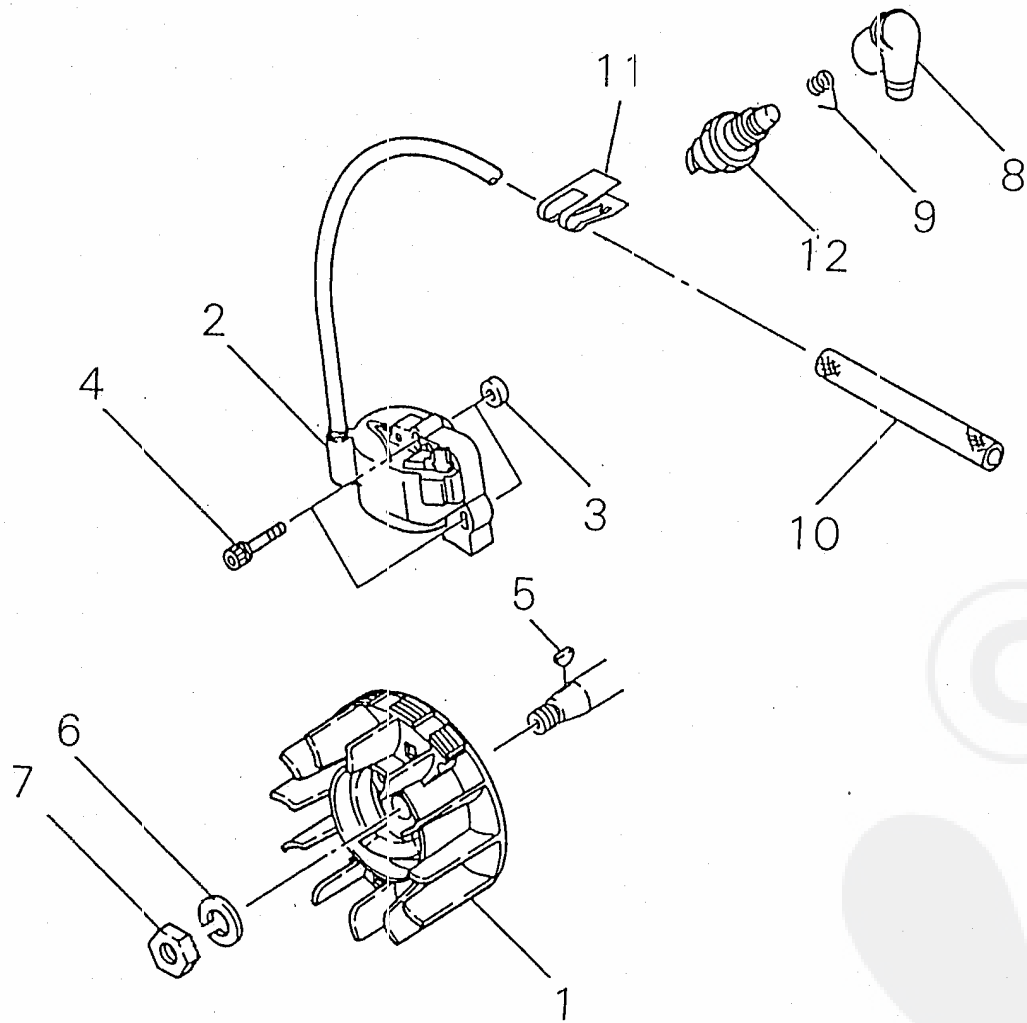


PRICE:(¥)

Ref. No	Part No.	Part Name	Q't	Remarks
5- 1	72352-51110	CLUTCH DRUM	1	22156-97170
	72348-51200	CLUTCH ASSY	1	
2	72348-51220	• CLUTCH SHOE	3	
3	22102-51230	• CLUTCH SPRING	1	
4	22154-51240	• CLUTCH BOSS B	1	
5	22154-51250	CLUTCH BOSS A	1	
6	22102-51310	NEEDLE BEARING	1	
9	19600-74100	CHAIN COVER	1	
10	22150-52411	NUT	2	
11	22154-52421	SLIDE SCREW	1	
12	22150-52440	SLIDE PIECE	1	
48	22154-52450	PUSH NUT	1	
13	22159-54150	GUIDE PLATE A	1	
48	22154-52530	SPIKE	1	
	72328-54010	BRAKE ASSY	1	
	72328-54190	• CLUTCH COVER SUB ASSY	1	
14	72328-54110	•• CLUTCH COVER	1	
15	22159-54160	•• GUIDE PLATE B	1	
16	01270-04082	•• SCREW TAPPING	1	
17	72345-54210	• BRAKE BAND	1	
18	72316-54220	• HOLDER SPRING	1	
19	72346-54230	• BRAKE SPRING	1	
20	72316-54240	• STOPPER	1	
21	72316-54310	• ADJUST PLATE	2	
22	72316-54520	• HOLDER	1	
23	72316-54530	• NUT LEVER	1	
24	01020-04120	• BOLT	1	
25	12492-40140	• ROLLER	1	
26	72346-54560	• INNER LEVER	1	
27	72316-54570	• TIE STRAP	1	
28	12492-40080	• ROLLER	2	
29	72316-54580	• SPRING LEVER	1	
30	72316-54511	• LEVER	1	
31	72316-54540	• PIN LEVER	1	
32	02434-30060	• SNAP RING	1	
33	72327-54610	• COVER	1	
34	01270-04122	• SCREW TAPPING	2	
35	22154-54611	• CHAIN CATCHER	1	

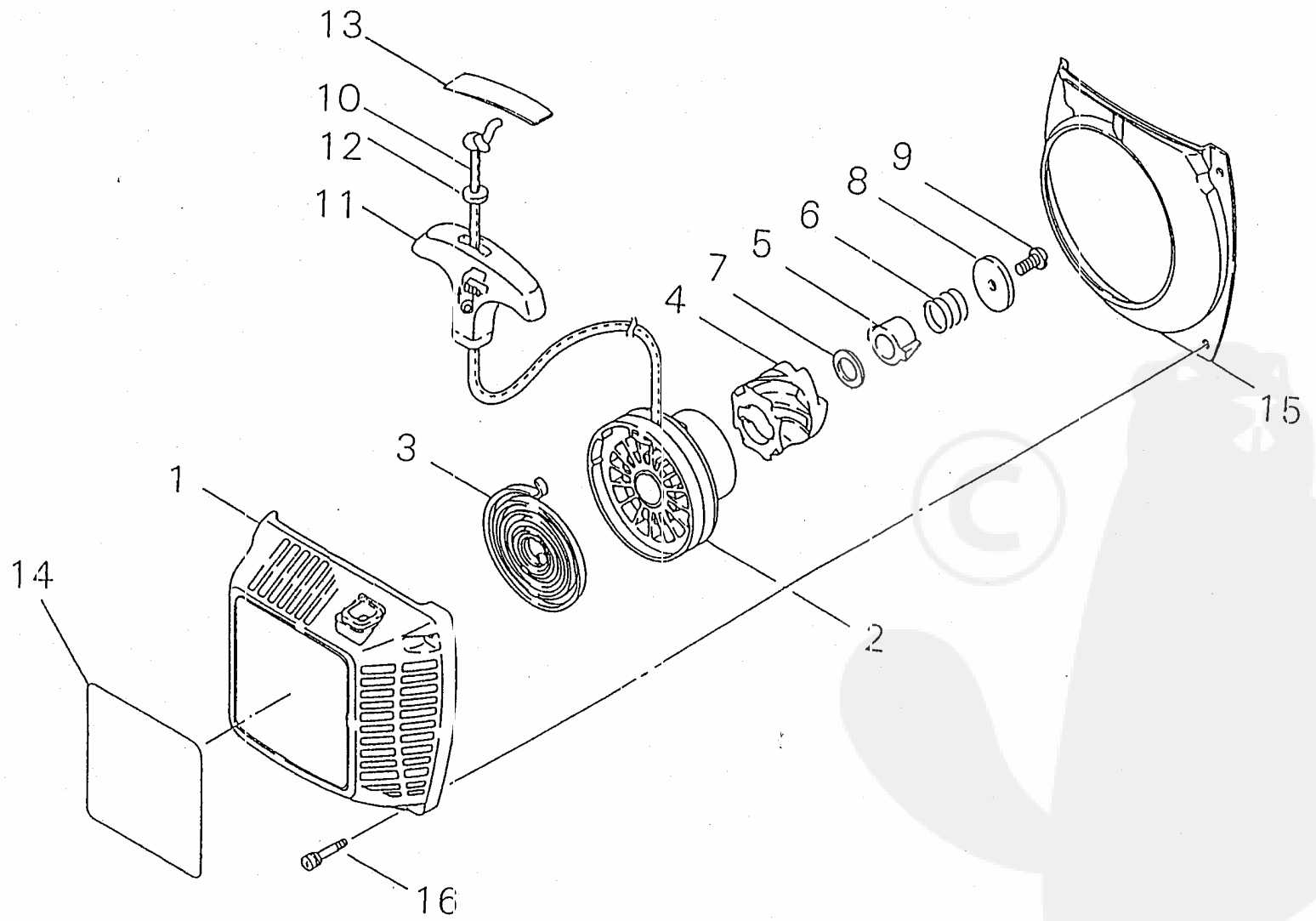
PARTS LIST
SHINDAIWA
(LI38 LIA0380P)

1/CE



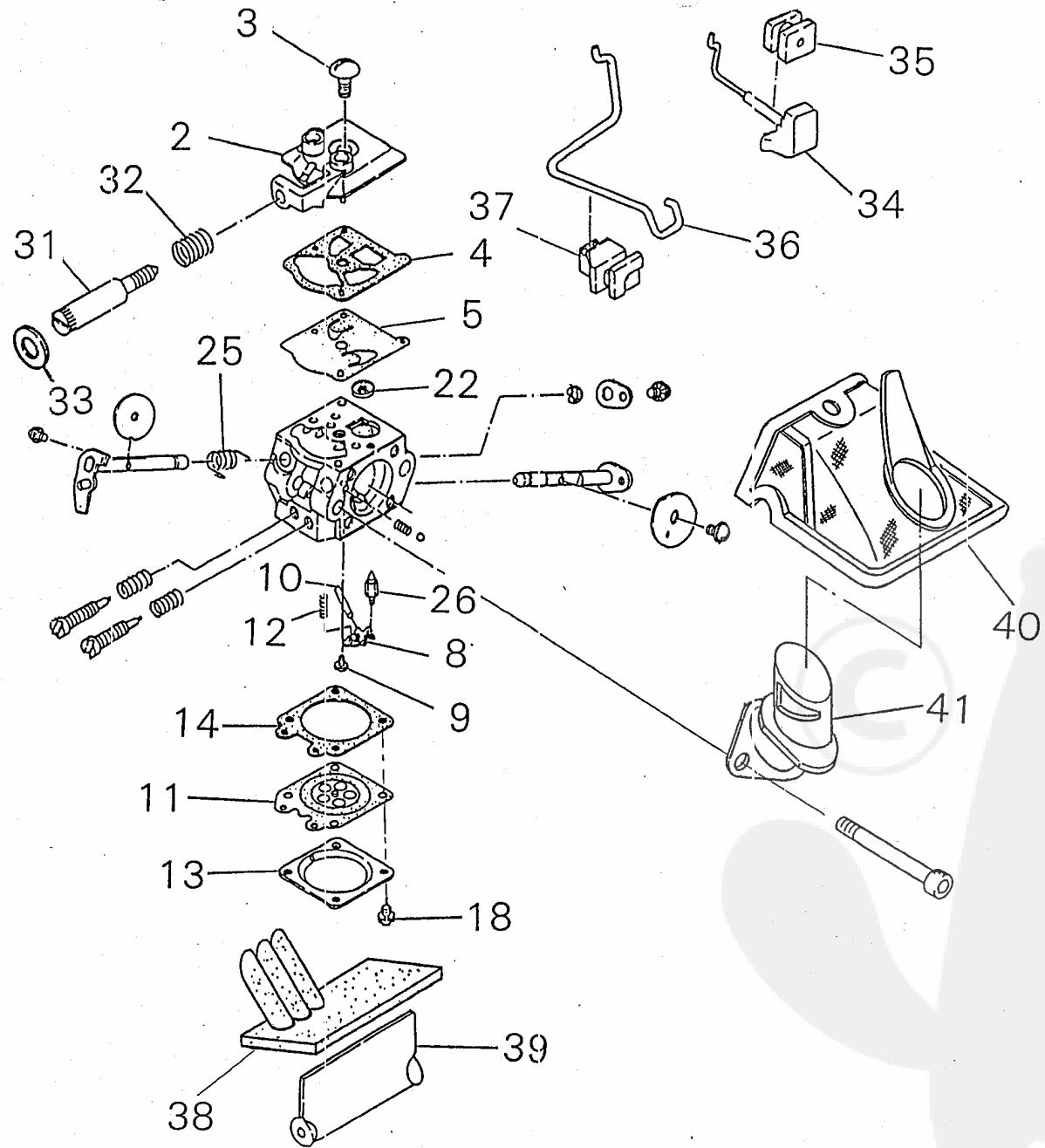
PRICE:(¥)

Ref. No.	Part No.	Part Name	Q'ty	Remarks
6- 1	22154-71100	ROTOR	1	
2	20024-71610	COIL	1	
3	22154-71810	INSULATOR	2	
4	11060-04240	BOLT ADHESIVE	2	
5	02403-03100	KEY	1	
6	01600-08201	SPRING WASHER	1	
7	22100-43231	NUT	1	
8	22160-72220	PLUG CAP	1	
9	22154-72230	SPRING PLUG	1	
10	70064-72110	TUBE	1	
11	22154-72240	CLIP	1	
12	13000-13507	SPARK PLUG BFM7A	1	



PRICE:(¥)

Ref. No.	Part No.	Part Name	Qty	Remarks
7-	72326-75101	RECOIL STARTER SUB ASSY	1	
1	22154-75112	• RECOIL CASE	1	
2	22154-75210	• REEL	1	
3	22159-75310	• RECOIL SPRING	1	
4	22154-75341	• RATCHET	1	
5	22154-75353	• GUIDE	1	
6	22154-75360	• FRICTION SPRING	1	
7	22154-75371	• THRUST WASHER	1	
8	22154-75380	• WASHER	1	
9	20035-75170	• SCREW	1	
10	22154-75410	• ROPE	1	
11	22159-75420	• KNOB RECOIL	1	
12	22104-75430	• STOPPER KNOB	1	
13	20010-75230	• TAPE	1	
14	72305-75440	NAME PLATE R	1	
15	22154-75610	AIR PLATE	1	
16	11060-04200	BOLT ADHESIVE	4	

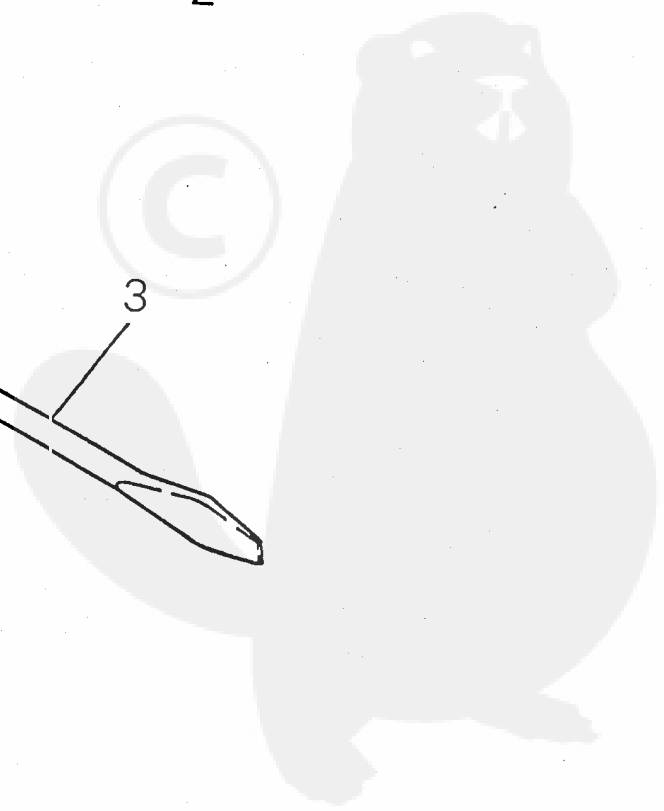
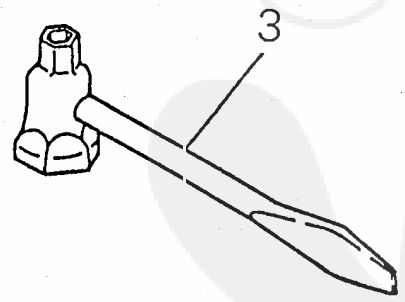
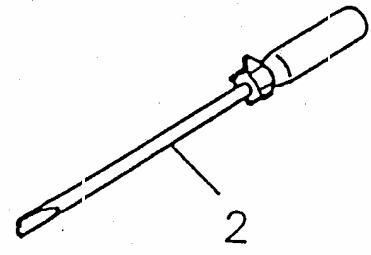
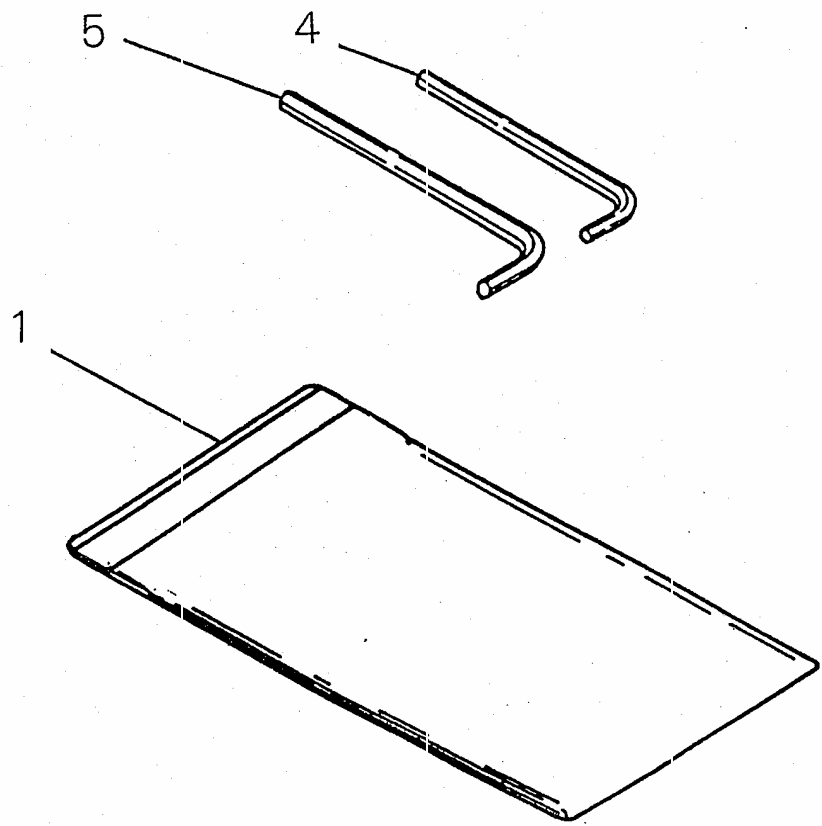


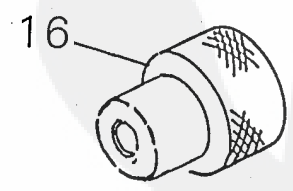
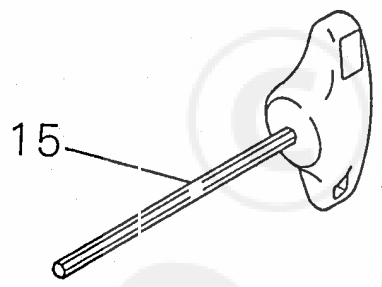
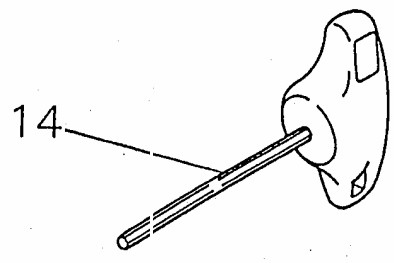
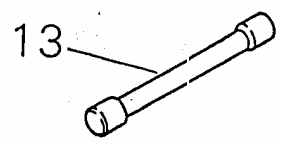
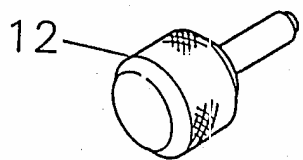
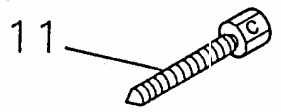
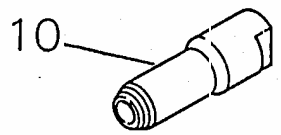
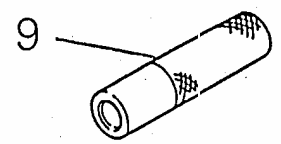
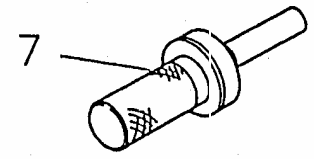
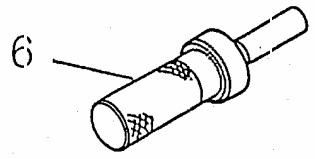
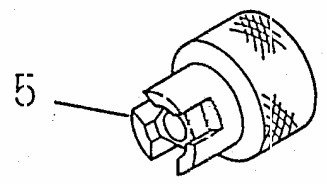
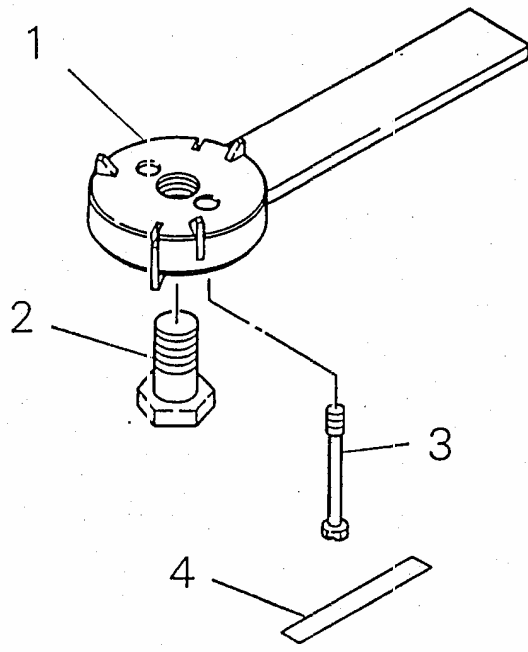
PRICE:(ST)

Ref. No	Part No.	Part Name	Q' ty	Remarks
8-	22159-81000	CARBURETOR ASSY	1	
2	22156-81120	* PUMP COVER ASSY	1	
3	22100-81130	* SCREW	1	
4	22128-81140	* GASKET PUMP COVER	1	
5	22128-81150	* DIAPHRAGM PUMP	1	
8	22100-81230	* LEVER	1	
9	22100-81240	* SCREW	1	
10	22100-81250	* PIN	1	
11	22100-81260	* DIAPHRAGM ASSY	1	
12	22120-81270	* SPRING LEVER	1	
13	22100-81280	* COVER DIAPHRAGM	1	
14	22100-81290	* GASKET DIAPHRAGM	1	
18	22100-81351	* SCREW	4	
22	70030-81380	* SCREEN	1	
25	22100-81410	* SPRING SHAFT	1	
26	20036-81440	* NEEDLE VALVE	1	
31	22156-81410	* IDLE SCREW	1	
32	22156-81420	* SPRING IDLE	1	
33	22156-81440	* SEAL COLLAR	1	
34	22159-82120	CHOKER ROD	1	
35	22180-82130	GROMMET CHOKER	1	
36	22159-82140	THROTTLE ROD	1	
37	22154-82150	GROMMET ROD	1	
38	72300-82610	SILENCER	1	
39	22154-82320	SHUTTER	1	
40	22159-82411	AIR CLEANER	1	
41	22159-82431	ELBOW	1	
	22128-81920	GASKET KIT	1	
4	22128-81140	* GASKET PUMP COVER	1	
14	22100-81290	* GASKET DIAPHRAGM	1	
	22128-81910	DIAPHRAGM KIT	1	
5	22128-81150	* DIAPHRAGM PUMP	1	
11	22100-81260	* DIAPHRAGM ASSY	1	

PARTS LIST
SHINDAIWA
(L138 LIA0380P)

CE





PRICE:(¥)

Ref. No	Part No.	Part Name	Q'ty	Remarks
10-	22154-96100	PULLER ASSY	1	
1	22154-96110	• PULLER	1	
2	22100-96121	• CENTER BOLT	1	
3	22102-96130	• BOLT	2	
4	22154-96210	SET GAUGE	1	
5	22154-96410	HOLDER	1	
6	22154-96420	ROD OIL SEAL	1	
7	22154-96430	ROD BEARING	1	
9	22154-96440	ROD OIL SEAL OUT	1	
	22150-96600	PULLER M ASSY	1	
10	22150-96610	• PULLER M	1	
11	22150-96620	• BOLT	1	
12	22154-96460	PLUG BUSH	1	
13	22155-96240	PISTON STOPPER	1	
14	22155-96521	T WRENCH 4	1	
15	22155-96531	T WRENCH 5	1	
16	22154-96220	SET GAUGE	1	