

**shindaiwa®**

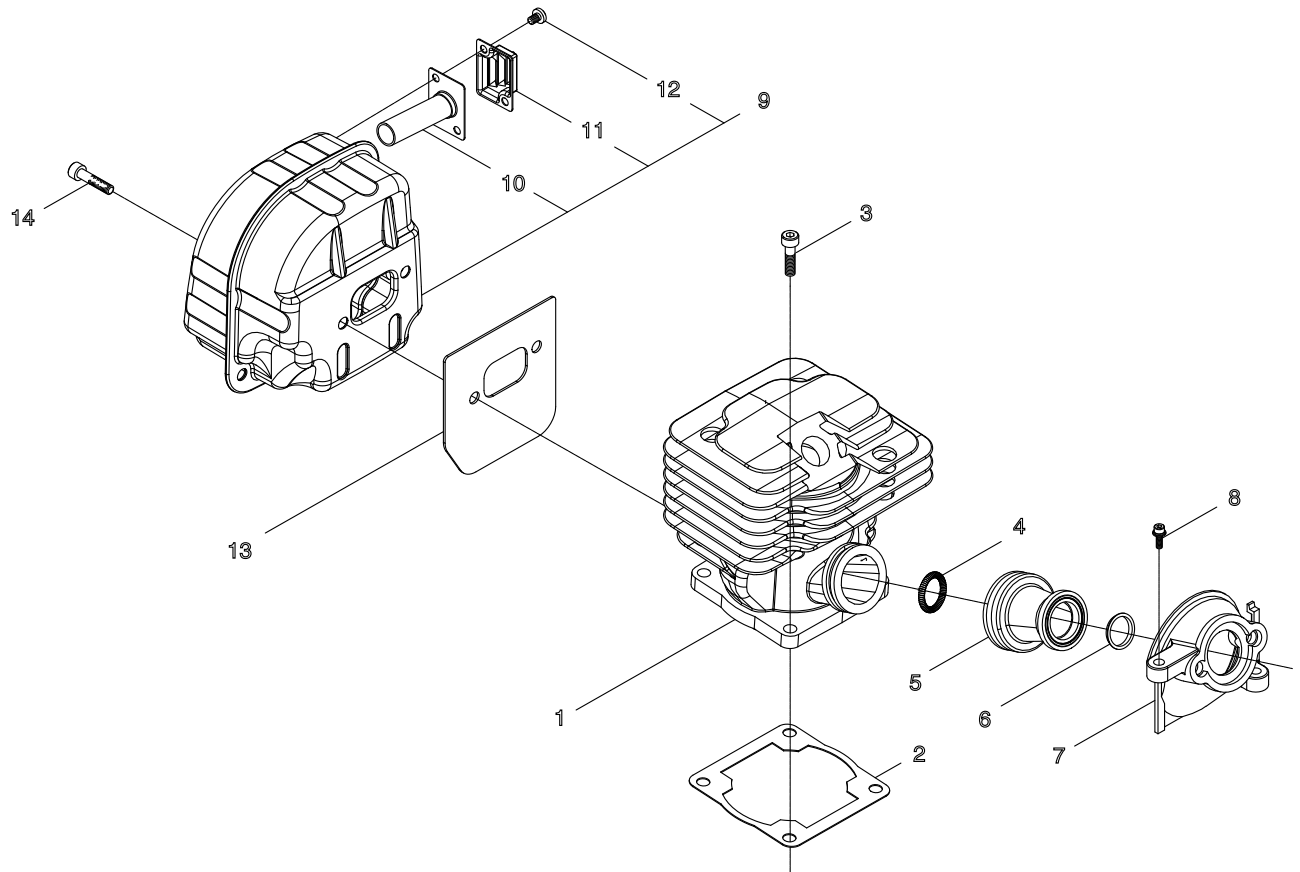
# **PARTS CATALOG**

**CHAIN SAW  
452GS(36)**

**36000001 -**

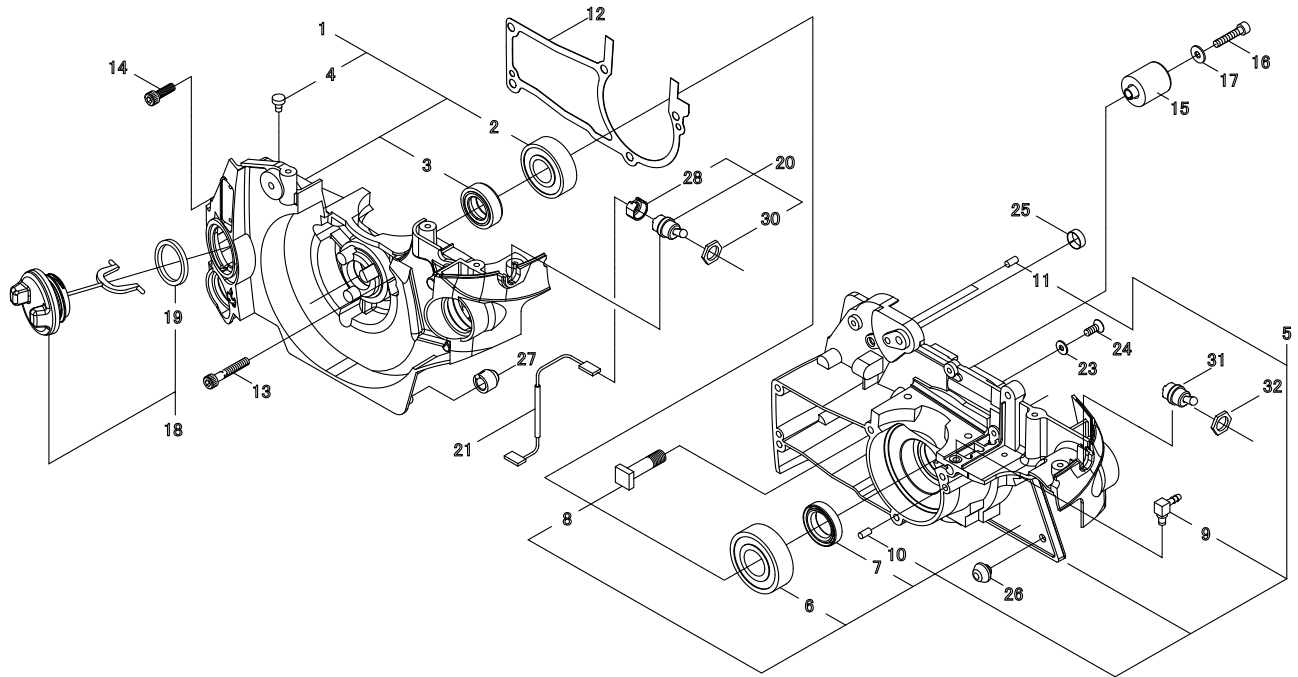
P016-000080-101b

# 1. CYLINDER, MUFFLER



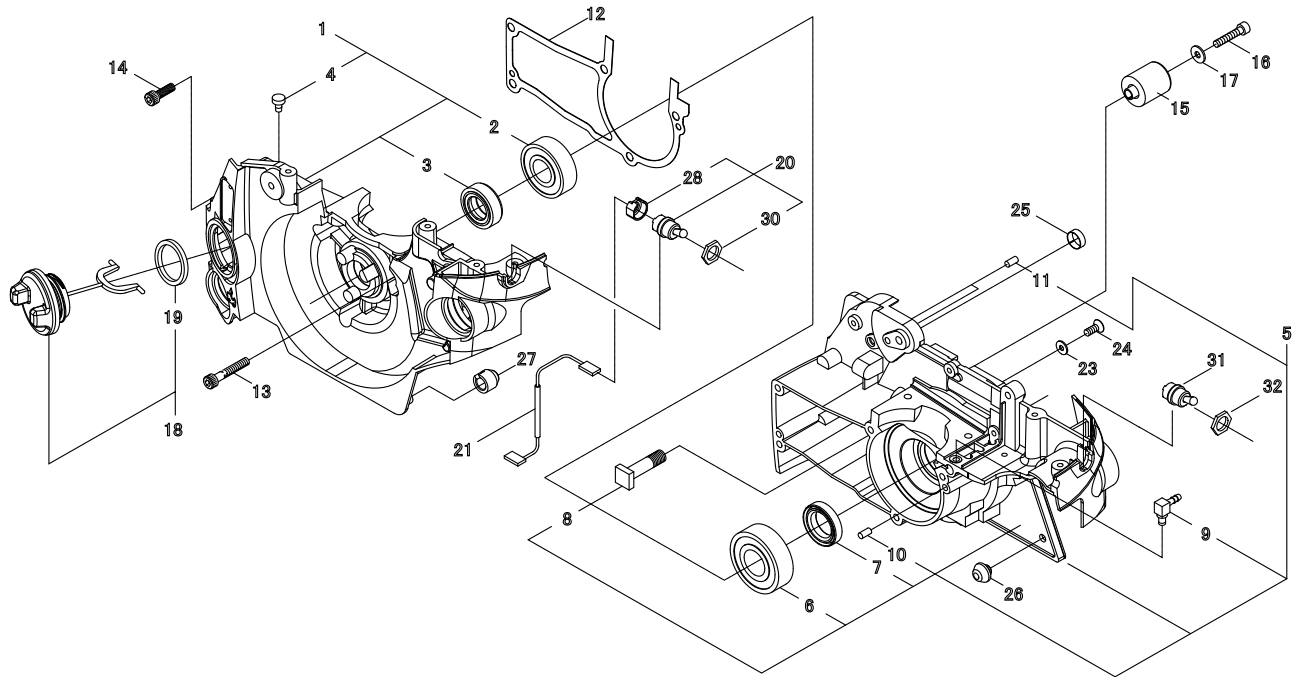
KEY	LV	PART NUMBER	Q'TY	DESCRIPTION	REMARKS	NOTE1	NOTE2
1		A130-001641	1	CYLINDER			
2		V100-000540	1	GASKET			
3		900105-05018	4	BOLT, H.S. 5*18	5*18		
4		V451-000920	1	SPRING			
5		A202-000150	1	BOOT			
6		V359-000200	1	COLLAR			
7		A200-000851	1	INSULATOR, INTAKE			
8		V202-000200	2	BOLT			
9		A030-000510	1	MUFFLER ASSY			
10	+	A313-001530	1	GUIDE,EXH			
11	+	A313-001460	1	TAIL PLATE			
12	+	91578-04006	2	SCREW			
13		V104-001581	1	GASKET,EXHAUST			
14		900105-05018	4	BOLT, H.S. 5*18	5*18		

## 2. CRANKCASE



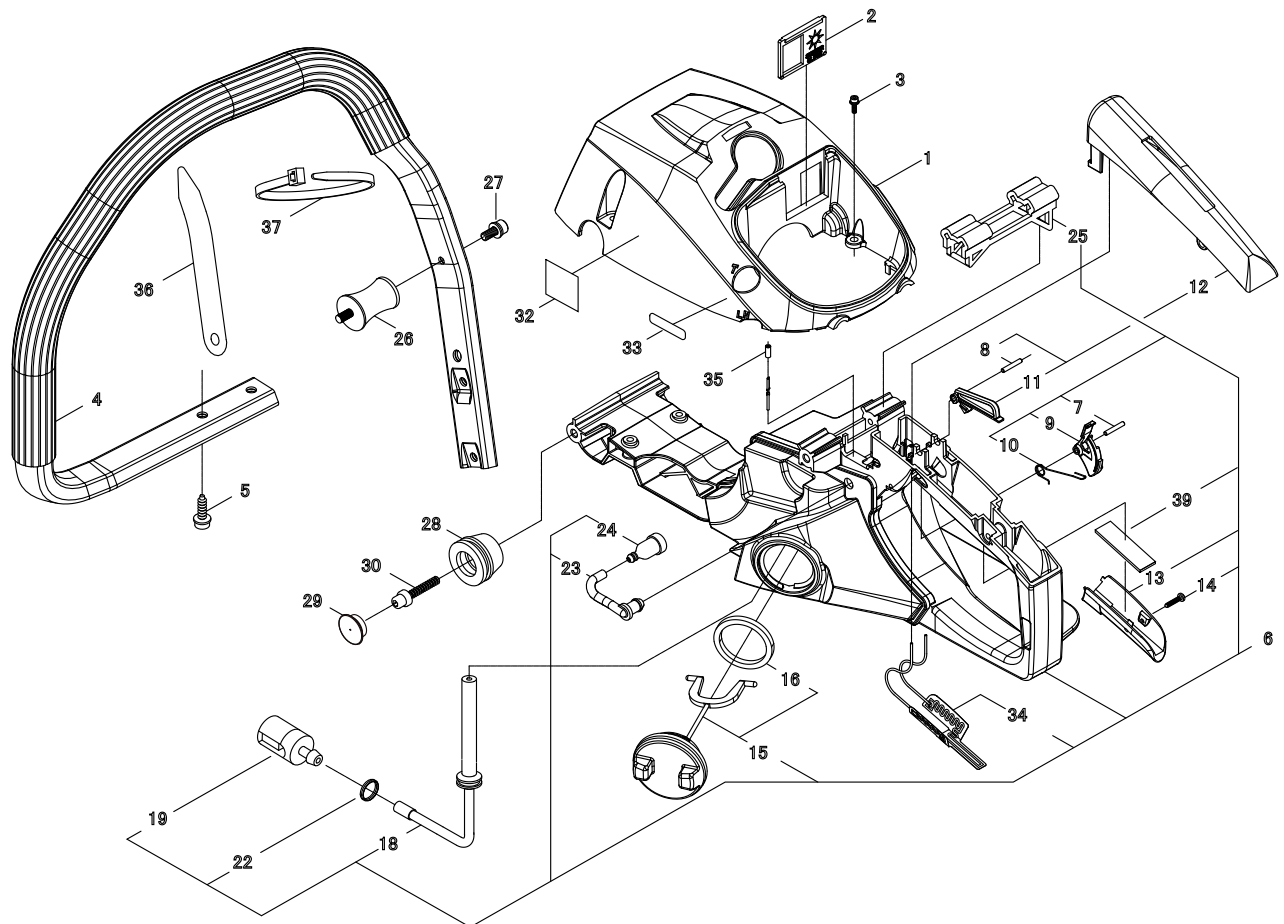
KEY	LV	PART NUMBER	Q'TY	DESCRIPTION	REMARKS	NOTE1	NOTE2
1		P021-026601	1	CRANK CASE M COMP			
2	+	V592-000330	1	BEARING, BALL	6201X3C3		
3	+	V505-000140	1	SEAL,OIL			
4	+	A356-000130	1	VALVE,CHECK			
5		P021-036550	1	CRANK CASE KIT			
6	+	V592-000290	1	BEARING, BALL	6202X47C3		
7	+	V508-000060	1	SEAL,OIL			
8	+	V225-000150	2	BOLT,STUD			
9	+	437239-14730	1	NIPPLE			
10	+	V622-000040	2	ROLLER			
11	+	V629-000000	2	ROLLER			
12		V102-000161	1	GASKET,CRANKCASE			
13		V203-001450	3	BOLT			
14		900105-05018	2	BOLT, H.S. 5*18	5*18		
15		C310-000110	1	CATCHER, CHAIN			
16		V203-000370	1	BOLT ADHESIVE			
17		900600-00005	1	WASHER 5	5		
18		C020-000040	1	CAP			
19	+	V107-000090	1	GASKET,FUEL CAP			
20		P021-034590	1	SWITCH,ON OFF			
28	+	A472-000090	1	CAP			
30	+	V266-000090	1	NUT,10			
21		V485-002030	1	LEAD			
23		900603-00004	1	WASHER 4	4.5*10*0.8		
24		900212-04008	1	SCREW 4*8	+SF4*8		
25		V355-000460	1	COLLAR,8			

## 2. CRANKCASE



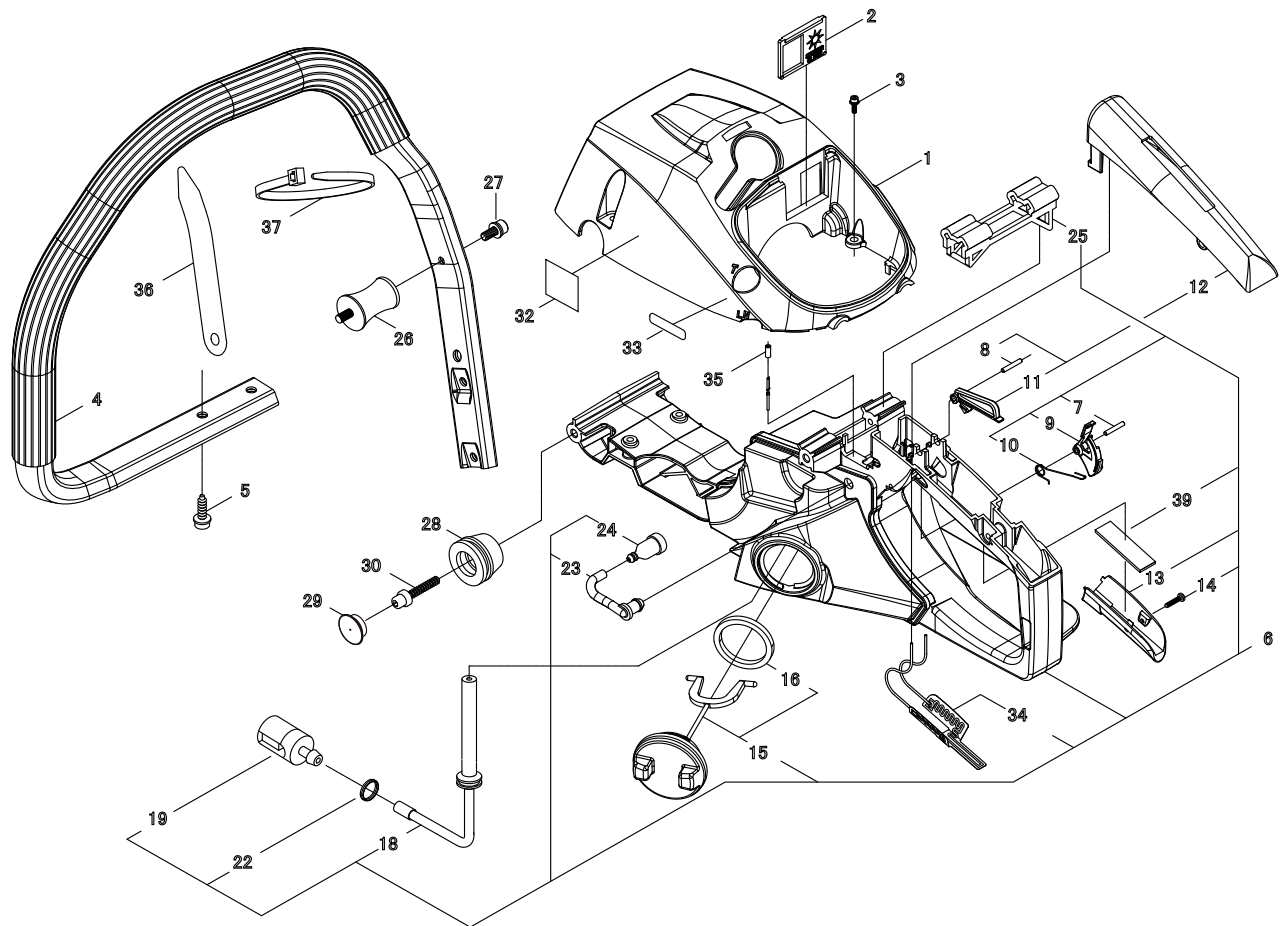
KEY	LV	PART NUMBER	Q'TY	DESCRIPTION	REMARKS	NOTE1	NOTE2
26		V420-002770	1	CUSHION			
27		V420-002780	1	CUSHION			
31		A440-001630	1	SWITCH			
32		V266-000090	1	NUT,10			

## 3. REAR HANDLE



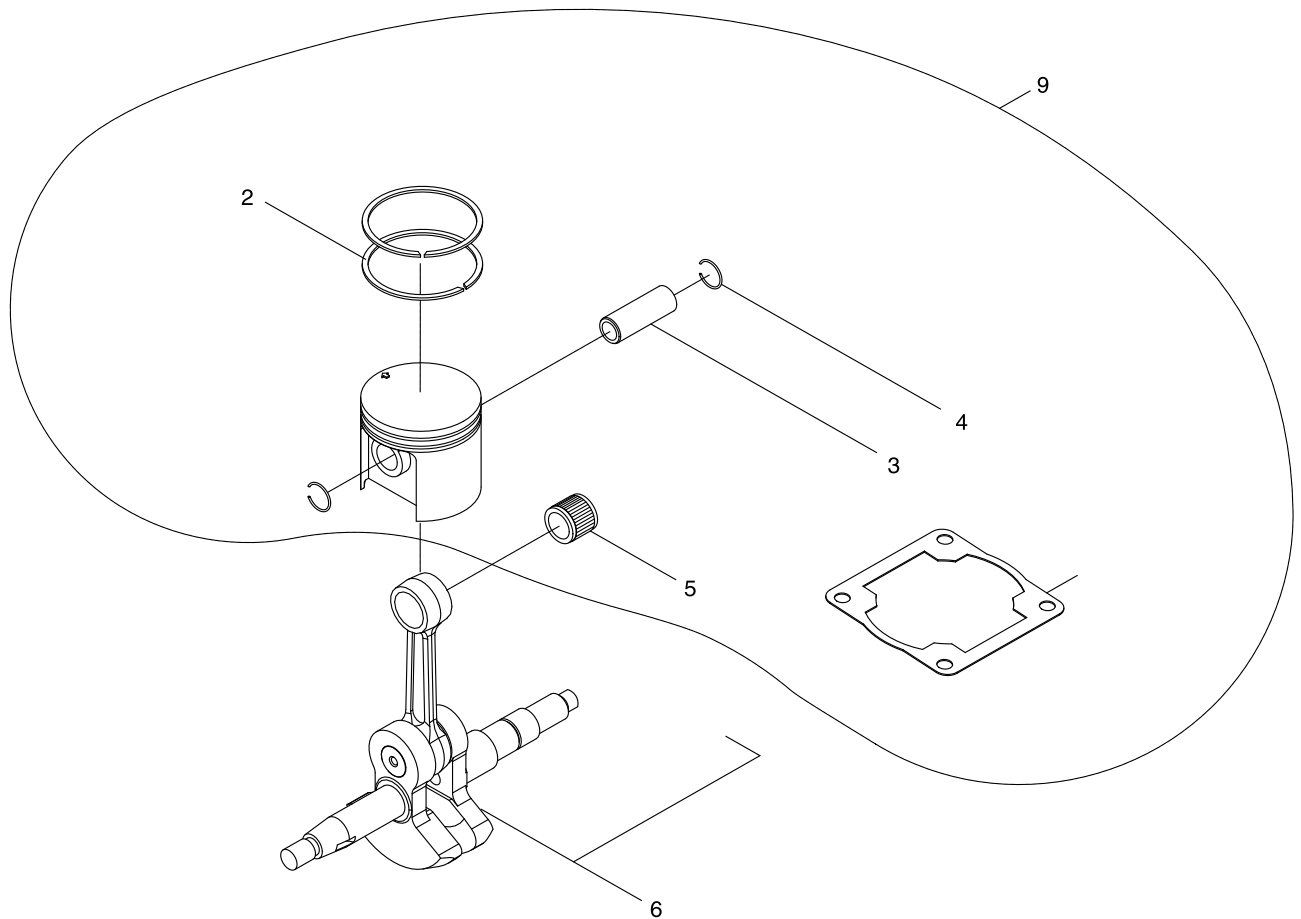
KEY	LV	PART NUMBER	Q'TY	DESCRIPTION	REMARKS	NOTE1	NOTE2
1		A160-002360	1	COVER,CYLINDER			
2		A219-000040	1	SHUTTER,AIR			
3		V202-000200	3	BOLT			
4		C040-000560	1	HANDLE,FRONT			
5		V203-001490	4	BOLT TAPPING			
6		C041-000390	1	REAR HANDLE ASSY			
7	+	93060-40250	1	PIN, SPRING			
8	+	93042-40220	1	PIN, SPRING			
9	+	C450-000640	1	TRIGGER,THROTTLE			
10	+	V452-000850	1	SPRING,TORSION			
11	+	C460-000310	1	LOCKOUT,THROTTLE			
12	+	C411-000130	1	LID,HANDLE			
13	+	C403-000530	1	GRIP			
14	+	91449-04022	1	SCREW TAPPING			
15	+	A033-000220	1	CAP ASSY			
16	++	V107-000070	1	GASKET			
18	+	V470-001520	1	PIPE			
19	+	131205-19831	1	STRAINER, FUEL			
22	+	V490-000500	1	CLIP			
23	+	V470-001530	1	PIPE			
24	+	A356-000050	1	VALVE,CHECK			
25	+	V420-002810	1	STOPPER			
34	+	C406-000020	1	HEATER,HANDLE			
39	+	V420-002790	1	CUSHION			
26		V401-000330	1	CUSHION			
27		V202-000260	1	BOLT,4			

## 3. REAR HANDLE



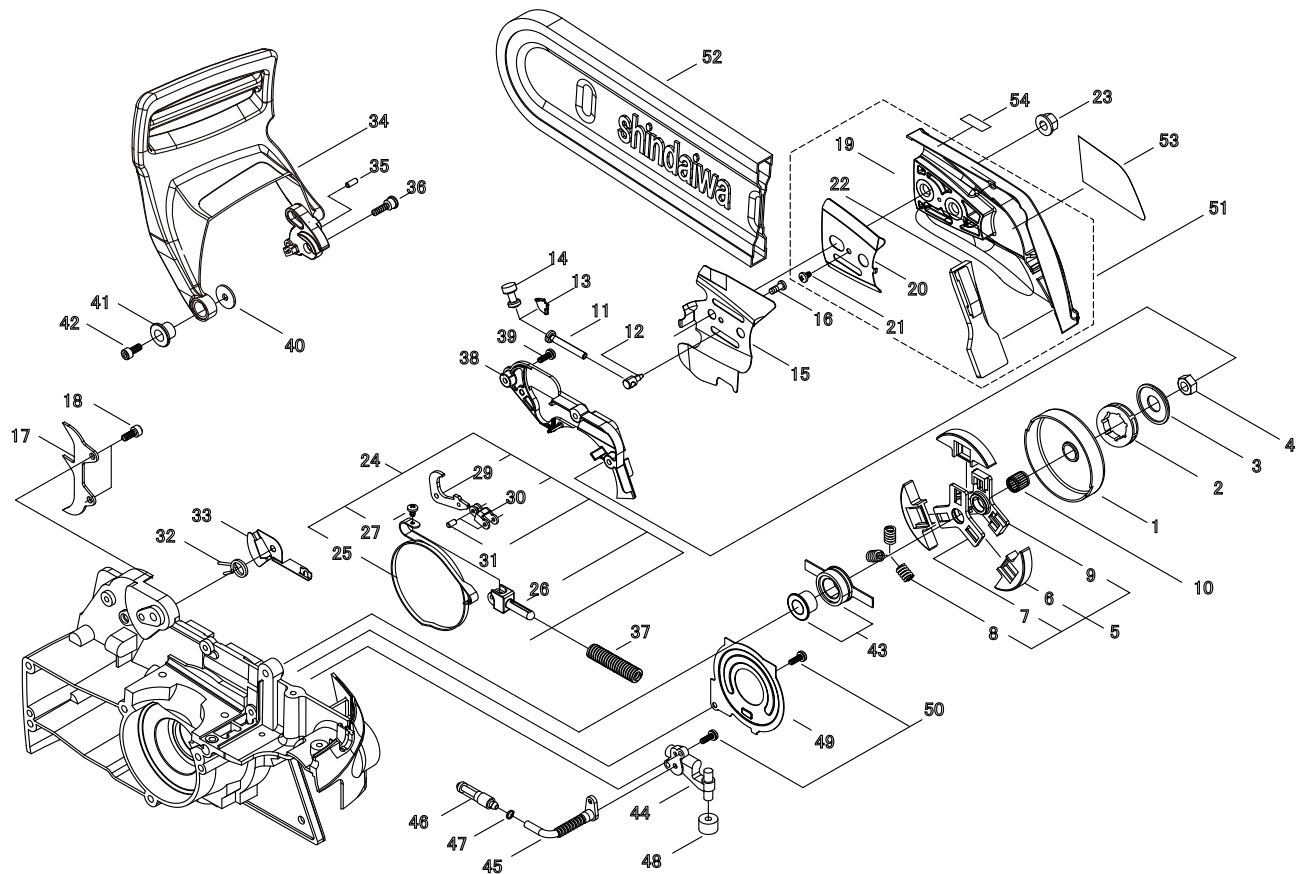
KEY	LV	PART NUMBER	Q'TY	DESCRIPTION	REMARKS	NOTE1	NOTE2
28		V401-000340	4	CUSHION			
29		V421-000070	4	CAP,CUSHION			
30		V203-001480	4	BOLT			
32		890345-39230	1	LABEL,CAUTION			
33		X532-001140	1	LABEL INST			
35		C483-000040	2	BOOT, CONNECTOR			
36		C401-000260	1	COVER			
37		V495-001580	1	BAND			

## 4. PISTON, CRANKSHAFT



KEY	LV	PART NUMBER	Q'TY	DESCRIPTION	REMARKS	NOTE1	NOTE2
9		P021-029870	1	PISTON SET			
2	+	A101-000530	2	PISTON RING			
3	+	V608-000050	1	PIN,ENG			
4	+	V580-000110	2	SNAP RING			
5	+	V555-000140	1	BEARING			
6		P021-026680	1	CRANK SHAFT			

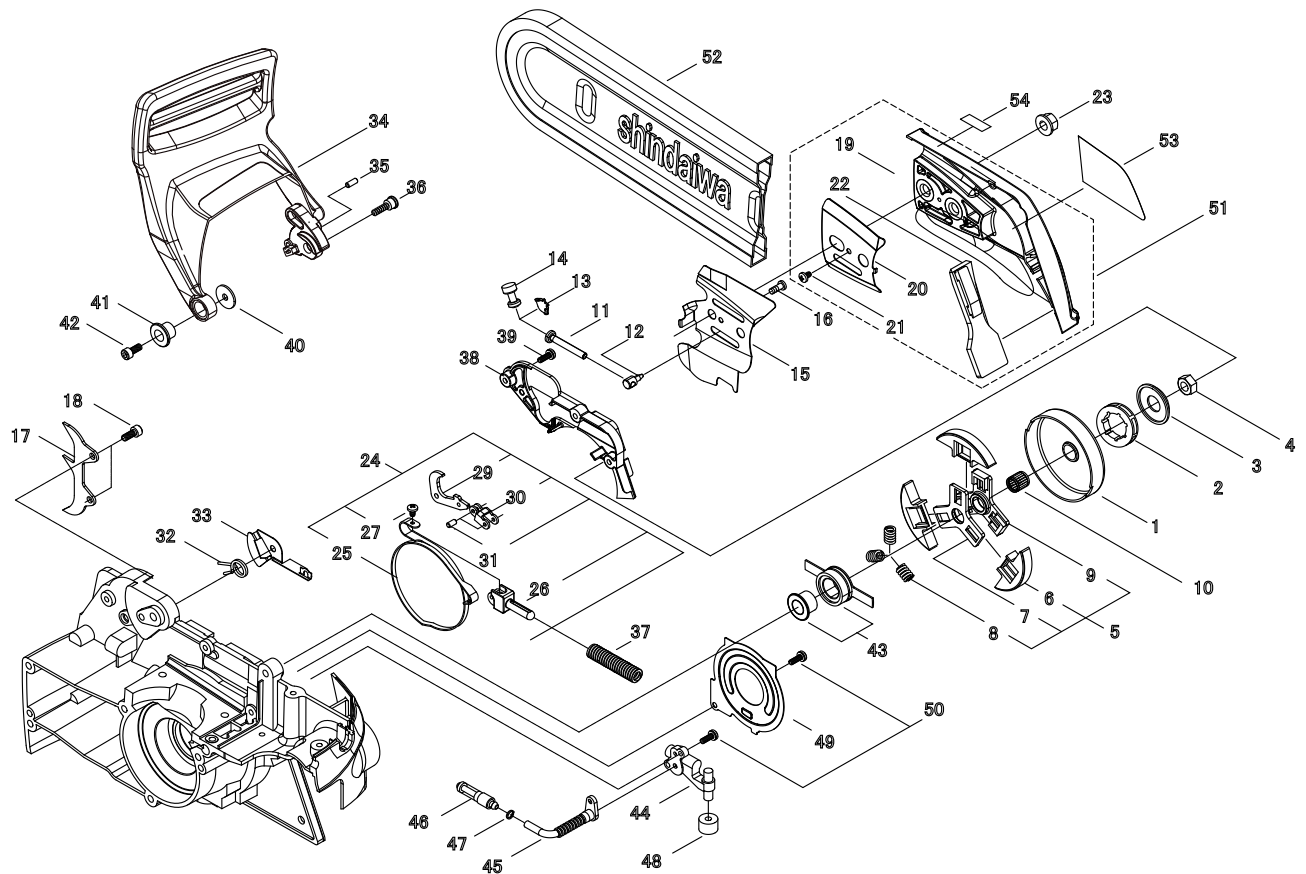
## 5. CLUTCH, SPROCKET



KEY	LV	PART NUMBER	Q'TY	DESCRIPTION	REMARKS	NOTE1	NOTE2
1		A556-001120	1	DRUM CLUCH			
2		A560-000010	1	RIM			
3		V307-000320	1	WASHER,CIRCULAR			
4		V265-000210	1	NUT			
5		A056-000610	1	ASM,CLUCH			
6	+	A555-000210	3	SHOE,CLUCH			
7	+	A552-000230	1	HUB,CLUCH			
8	+	V451-000930	3	SPRING			
9	+	A552-000240	1	HUB, CLUCH			
10		V555-000150	1	BEARING,NEEDLE			
11		V253-000610	1	SCREW			
12		C309-000110	1	TENSIONER,CHAIN			
13		V152-002430	1	GUIDE			
14		V651-000790	1	GEAR,BEVEL			
15		C305-000410	1	PLATE,SPROCKET GUARD			
16		V252-000470	1	SCREW,4			
17		C304-000130	1	SPIKE			
18		900105-05012	2	BOLT, H.S. 5*12	5*12		
51		P021-026921	1	CLUTCH COVER ASSY			
19	+	C300-000681	1	GUARD, SPROCKET			
20	+	C305-000260	1	PLATE,SPROCKET GUARD			
21	+	91374-04006	1	SCREW TAPPING			
22	+	C302-000030	1	PROTECTOR			
23		V265-000200	2	NUT			
24		C328-000210	1	BAND,BRAKE			
25	+	C328-000220	1	BAND,BRAKE			

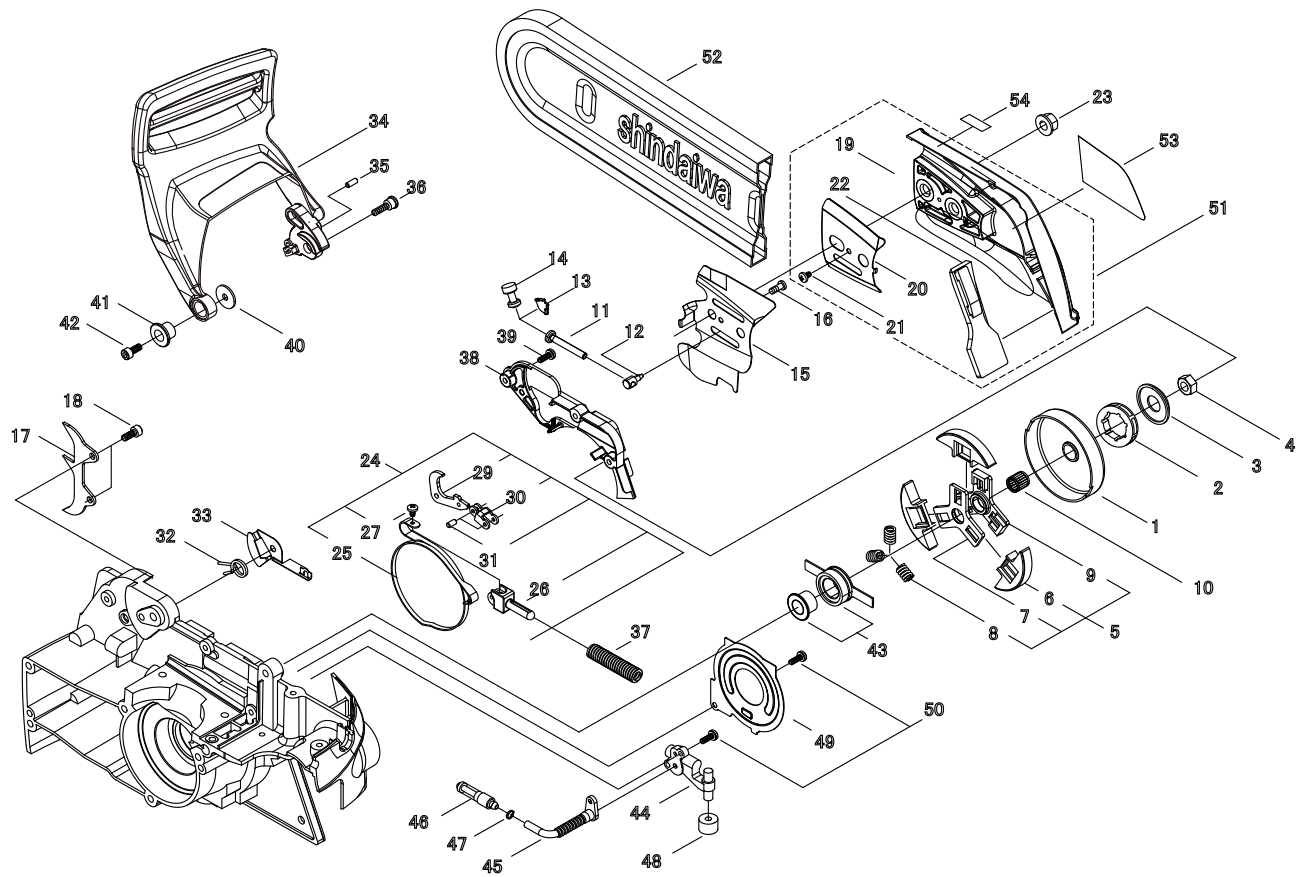


## 5. CLUTCH, SPROCKET



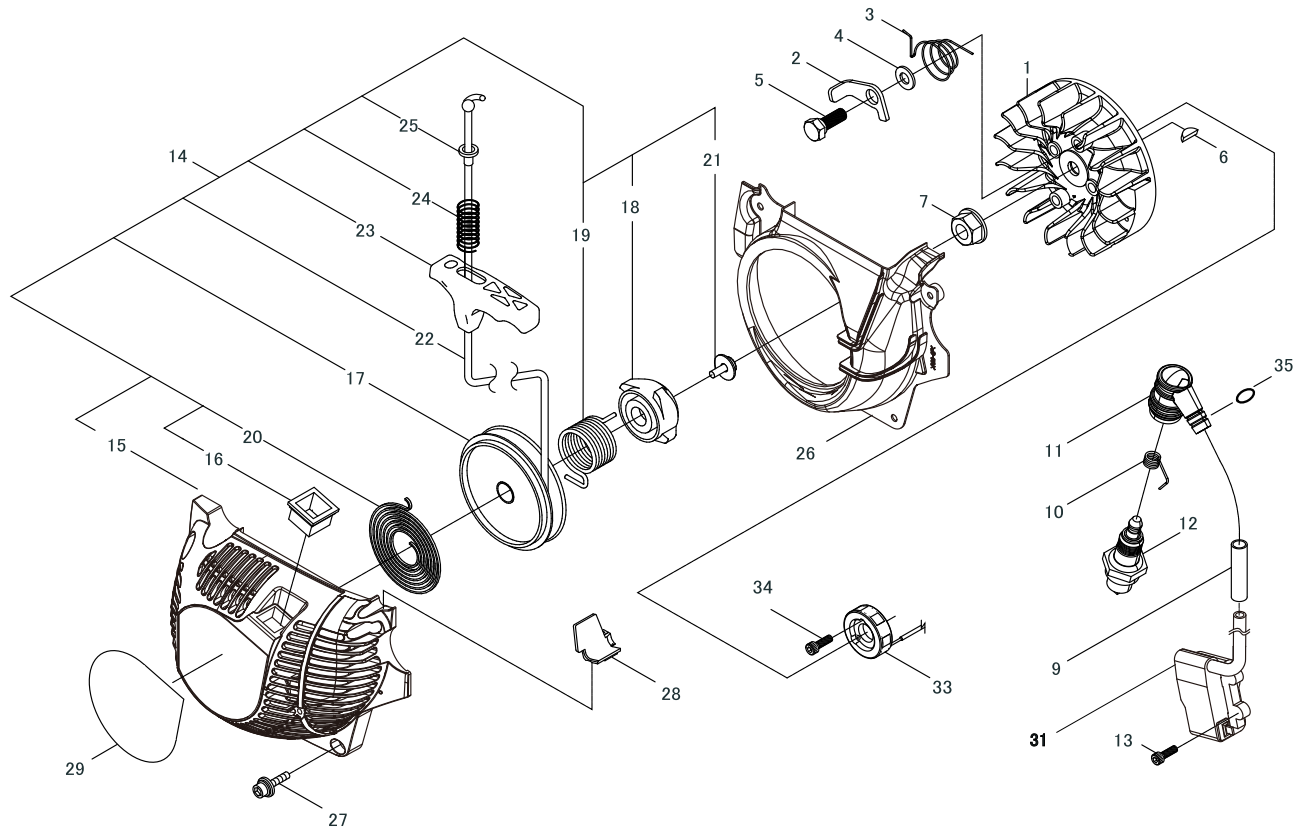
KEY	LV	PART NUMBER	Q'TY	DESCRIPTION	REMARKS	NOTE1	NOTE2
26	+	C334-000180	1	CONNECTOR,BRAKE			
27	+	91381-04010	1	SCREW TAPPING			
28	+	93042-40100	1	PIN, SPRING			
29	+	C334-000190	1	CONNECTOR, BRAKE			
30	+	C334-000200	1	CONNECTOR,BRAKE			
31	+	V629-000010	2	ROLLER			
32		V452-000860	1	SPRING,TORSION			
33		C347-000010	1	PLATE,BRAKE SEAL			
34		C320-000312	1	LEVER, BRAKE			
35		V622-000040	1	ROLLER			
36		V203-001470	1	BOLT,ADHESIVE			
37		V450-001160	1	SPRING,COIL			
38		C345-000420	1	COVER BRAKE			
39		V202-000520	3	BOLT,4			
40		V303-000320	1	WASHER,CIRCULAR 5			
41		V356-000580	1	COLLAR			
42		900105-05018	1	BOLT, H.S. 5*18	5*18		
43		P021-023110	1	GEAR			
44		C022-000120	1	OILER,ASM AUTO			
45		V470-001510	1	PIPE,OIL			
46		C209-000070	1	STRAINER,OIL			
47		V490-000500	1	CLIP			
48		C211-000010	1	ELEMENT			
49		C236-000060	1	COVER,OILER			
50		V202-000520	3	BOLT,4			
52		X490-000300	1	CHAIN COVER			

## 5. CLUTCH, SPROCKET



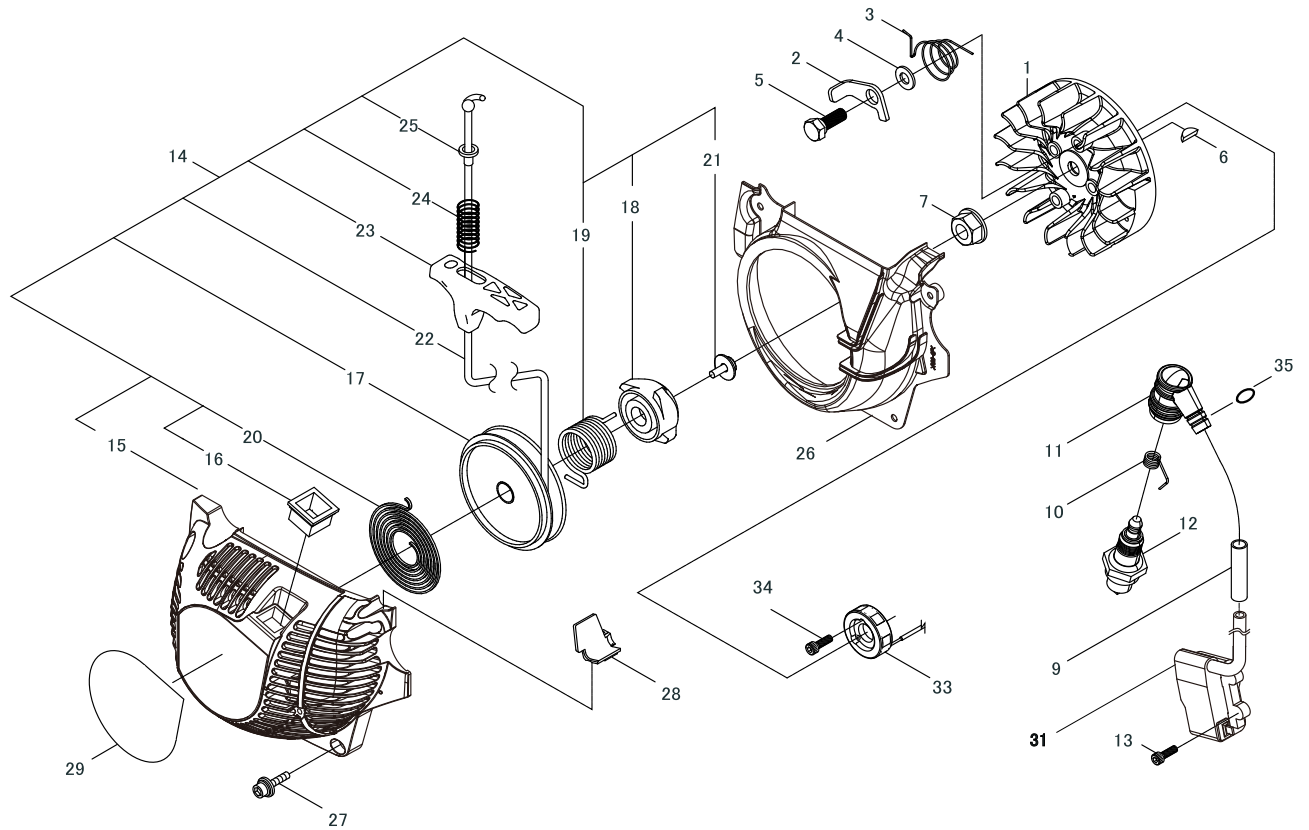
KEY	LV	PART NUMBER	Q'TY	DESCRIPTION	REMARKS	NOTE1	NOTE2
53		X504-004190	1	LABEL TRADE			
54		X532-001130	1	LABEL INST			

## 6. RECOIL STARTER



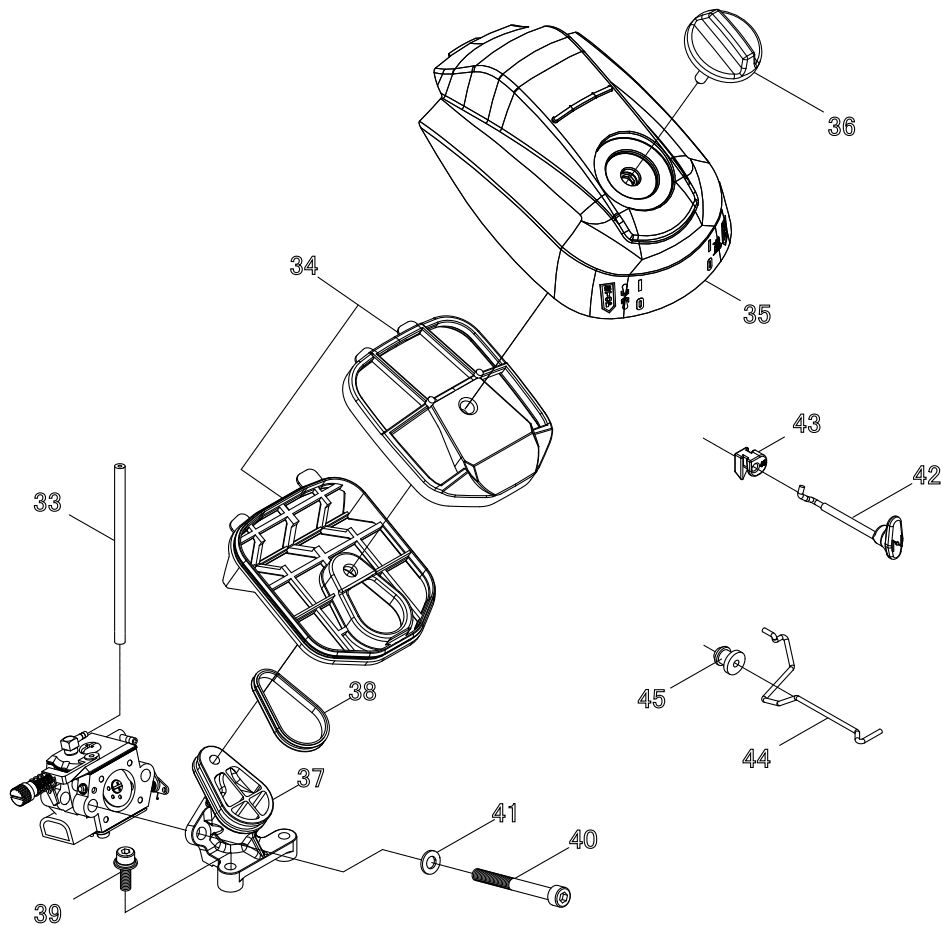
KEY	LV	PART NUMBER	Q'TY	DESCRIPTION	REMARKS	NOTE1	NOTE2
1		A409-000831	1	ROTOR, MAGNETO			
2		A514-000220	2	PAWL			
3		V452-000870	2	SPRING, TORSION			
4		V304-000270	2	WASHER, CIRCULAR 6			
5		V204-000620	2	BOLT			
6		93115-03010	1	KEY	3*10		
7		V265-000220	1	NUT			
9		V475-005180	1	TUBE			
10		A426-000040	1	TERMINAL, SPARKPLUG			
11		A427-000060	1	CAP, SPARK PLUG			
12		159010-10230	1	PLUG, SPARK (BPMR-7A)	BPMR-7A		
13		V202-000540	2	BOLT, 4			
14		A051-002260	1	STARTER, RECOIL ASY			
15	+	A500-001310	1	CASE, STARTER			
16	+	A510-000130	1	GUIDE, ROPE			
17	+	A506-000390	1	REEL			
18	+	A507-000080	1	CATCHER, PAWL			
19	+	V452-000880	1	SPRING, TORSION			
20	+	A504-000220	1	SPRING, RECOIL			
21	+	V253-000640	1	SCREW			
22	+	A509-000380	1	ROPE			
23	+	A511-000230	1	NOB			
24	+	V450-001170	1	SPRING, COMPRESSION			
25	+	V376-001400	1	SPACER			
26		A172-001870	1	COVER, FAN			
27		V202-000200	4	BOLT			

## 6. RECOIL STARTER



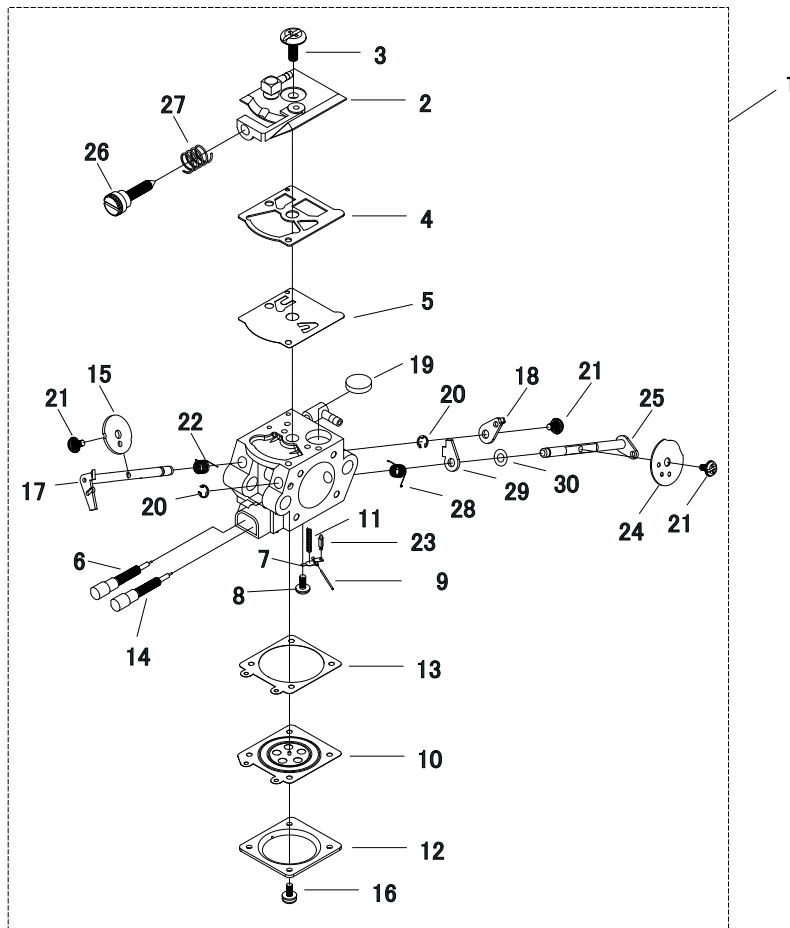
KEY	LV	PART NUMBER	Q'TY	DESCRIPTION	REMARKS	NOTE1	NOTE2
28		V131-000110	1	GROMMET			
29		X504-004180	1	LABEL TRADE			
31		A411-001240	1	COIL, IGNITION			
33		A041-000000	1	STATOR,ASM			
34		V202-000530	2	BOLT,4			
35		900720-20007	1	O-RING 7	P-7		

## 7. AIR CLEANER



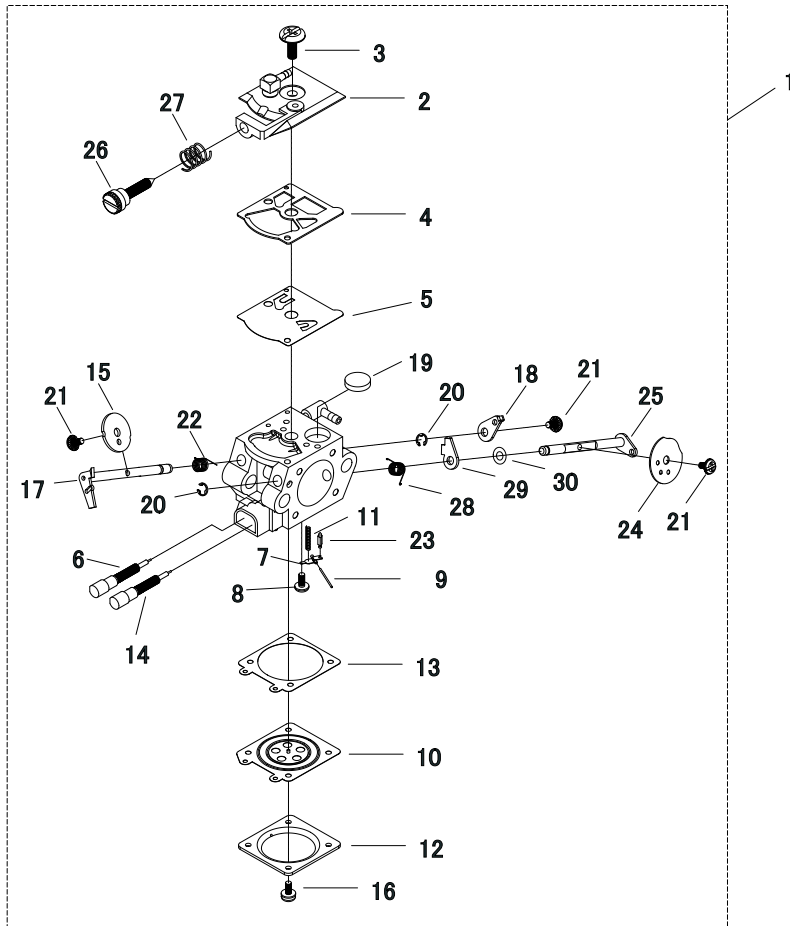
KEY	LV	PART NUMBER	Q'TY	DESCRIPTION	REMARKS	NOTE1	NOTE2
33		V471-002800	1	PIPE			
34		A226-001030	1	AIR CLEANER			
35		A232-001140	1	CLEANER COVER			
36		A235-000270	1	KNOB,CLEANER LID			
37		A204-000220	1	ELBOW, CARBURETOR			
38		V581-000280	1	GASKET			
39		V202-000200	2	BOLT			
40		91100-05048	2	BOLT			
41		900600-00005	2	WASHER 5	5		
42		A240-000111	1	ROD, CHOKE			
43		V130-000131	1	GROMMET,CHOKE			
44		C454-000280	1	ROD,THROTTLE			
45		V133-000040	1	GROMMET			

## 8. CARBURETOR



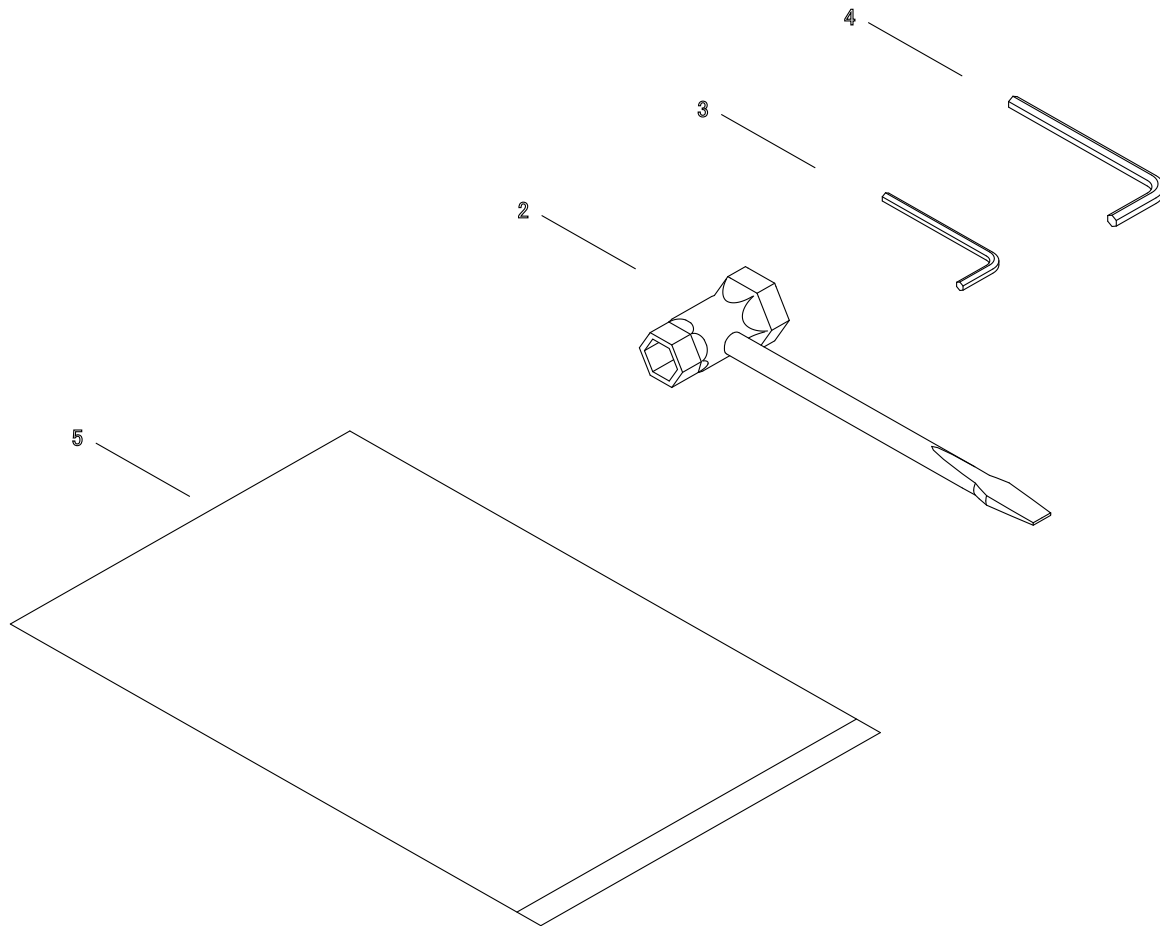
KEY	LV	PART NUMBER	Q'TY	DESCRIPTION	REMARKS	NOTE1	NOTE2
1		A021-003040	1	CABURETOR ASSY			
2	+	P003-003360	1	COVER, PUMP			
3	+	123110-03930	1	SCREW, PUMP COVER			
4	+	123125-15030	1	GASKET, FUEL PUMP			
5	+	123112-15030	1	DIAPHRAGM, FUEL PUMP			
6	+	P003-004180	1	NEEDLE			
7	+	123123-38330	1	LEVER, METERING			
8	+	123139-03930	1	SCREW, M. LEVER PIN			
9	+	123138-03930	1	PIN, METERING LEVER			
10	+	123141-03930	1	DIAPHRAGM, METERING			
11	+	123122-03660	1	SPRING, METER. LEVER			
12	+	123142-03930	1	COVER, M. DIAPHRAGM			
13	+	123140-03930	1	GASKET, M. DIAPHRAGM			
14	+	P003-004190	1	NEEDLE			
15	+	P003-003240	1	VALVE, THROTTLE			
16	+	123130-02960	4	SCREW			
17	+	P003-000120	1	SHAFT, THROTTLE			
18	+	P003-003470	1	CONTROL, THROTTLE			
19	+	123126-10631	1	SCREEN, INLET			
20	+	123127-15030	2	RING			
21	+	123114-38830	3	SCREW			
22	+	123113-37530	1	SPRING, THROTTLE RTN			
23	+	123137-19830	1	VALVE, INLET NEEDLE			
24	+	P003-000230	1	VALVE CHOKE			
25	+	P003-003190	1	SHAFT			
26	+	P003-003650	1	IDEL SCREW			

## 8. CARBURETOR



KEY	LV	PART NUMBER	Q'TY	DESCRIPTION	REMARKS	NOTE1	NOTE2
27	+	123133-04260	1	SPRING, IDLE ADJUST			
28	+	P003-000140	1	SPRING			
29	+	P003-000430	1	LEVER-FAST IDLE			
30	+	123149-26030	1	WASHER			

## 9. TOOLS



KEY	LV	PART NUMBER	Q'TY	DESCRIPTION	REMARKS	NOTE1	NOTE2
2		X602-000150	1	PLUG WRENCH			
3		X605-000090	1	HEXA WRENCH 4MM			
4		X605-000100	1	TOOL,L WRENCH	4MM M5		
5		X705-000130	1	POLY BAG			

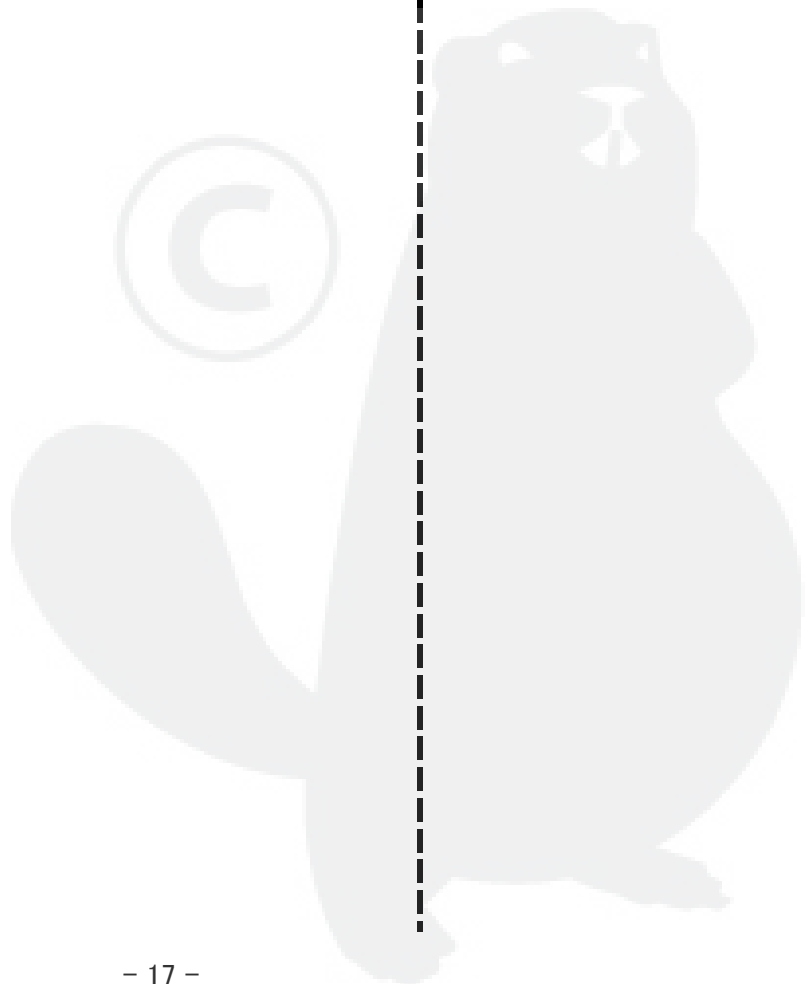
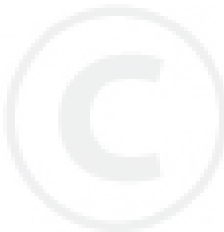


**Index**

<b>Patrs Number</b>	<b>Key No.</b>	<b>Patrs Number</b>	<b>Key No.</b>	<b>Patrs Number</b>	<b>Key No.</b>
123110-03930	8 - 3	A160-002360	3 - 1	C328-000220	5 - 25
123112-15030	8 - 5	A172-001870	6 - 26	C334-000180	5 - 26
123113-37530	8 - 22	A200-000851	1 - 7	C334-000190	5 - 29
123114-38830	8 - 21	A202-000150	1 - 5	C334-000200	5 - 30
123122-03660	8 - 11	A204-000220	7 - 37	C345-000420	5 - 38
123123-38330	8 - 7	A219-000040	3 - 2	C347-000010	5 - 33
123125-15030	8 - 4	A226-001030	7 - 34	C401-000260	3 - 36
123126-10631	8 - 19	A232-001140	7 - 35	C403-000530	3 - 13
123127-15030	8 - 20	A235-000270	7 - 36	C406-000020	3 - 34
123130-02960	8 - 16	A240-000111	7 - 42	C411-000130	3 - 12
123133-04260	8 - 27	A313-001460	1 - 11	C450-000640	3 - 9
123137-19830	8 - 23	A313-001530	1 - 10	C454-000280	7 - 44
123138-03930	8 - 9	A356-000050	3 - 24	C460-000310	3 - 11
123139-03930	8 - 8	A356-000130	2 - 4	C483-000040	3 - 35
123140-03930	8 - 13	A409-000831	6 - 1	P003-000120	8 - 17
123141-03930	8 - 10	A411-001240	6 - 31	P003-000140	8 - 28
123142-03930	8 - 12	A426-000040	6 - 10	P003-000230	8 - 24
123149-26030	8 - 30	A427-000060	6 - 11	P003-000430	8 - 29
131205-19831	3 - 19	A440-001630	2 - 31	P003-003190	8 - 25
159010-10230	6 - 12	A472-000090	2 - 28	P003-003240	8 - 15
437239-14730	2 - 9	A500-001310	6 - 15	P003-003360	8 - 2
890345-39230	3 - 32	A504-000220	6 - 20	P003-003470	8 - 18
900105-05012	5 - 18	A506-000390	6 - 17	P003-003650	8 - 26
900105-05018	1 - 3	A507-000080	6 - 18	P003-004180	8 - 6
900105-05018	1 - 14	A509-000380	6 - 22	P003-004190	8 - 14
900105-05018	2 - 14	A510-000130	6 - 16	P021-023110	5 - 43
900105-05018	5 - 42	A511-000230	6 - 23	P021-026601	2 - 1
900212-04008	2 - 24	A514-000220	6 - 2	P021-026680	4 - 6
900600-00005	2 - 17	A552-000230	5 - 7	P021-026921	5 - 51
900600-00005	7 - 41	A552-000240	5 - 9	P021-029870	4 - 9
900603-00004	2 - 23	A555-000210	5 - 6	P021-034590	2 - 20
900720-20007	6 - 35	A556-001120	5 - 1	P021-036550	2 - 5
91100-05048	7 - 40	A560-000010	5 - 2	V100-000540	1 - 2
91374-04006	5 - 21	C020-000040	2 - 18	V102-000161	2 - 12
91381-04010	5 - 27	C022-000120	5 - 44	V104-001581	1 - 13
91449-04022	3 - 14	C040-000560	3 - 4	V107-000070	3 - 16
91578-04006	1 - 12	C041-000390	3 - 6	V107-000090	2 - 19
93042-40100	5 - 28	C209-000070	5 - 46	V130-000131	7 - 43
93042-40220	3 - 8	C211-000010	5 - 48	V131-000110	6 - 28
93060-40250	3 - 7	C236-000060	5 - 49	V133-000040	7 - 45
93115-03010	6 - 6	C300-000681	5 - 19	V152-002430	5 - 13
A021-003040	8 - 1	C302-000030	5 - 22	V202-000200	1 - 8
A030-000510	1 - 9	C304-000130	5 - 17	V202-000200	3 - 3
A033-000220	3 - 15	C305-000260	5 - 20	V202-000200	6 - 27
A041-000000	6 - 33	C305-000410	5 - 15	V202-000200	7 - 39
A051-002260	6 - 14	C309-000110	5 - 12	V202-000260	3 - 27
A056-000610	5 - 5	C310-000110	2 - 15	V202-000520	5 - 39
A101-000530	4 - 2	C320-000312	5 - 34	V202-000520	5 - 50
A130-001641	1 - 1	C328-000210	5 - 24	V202-000530	6 - 34

**Index**

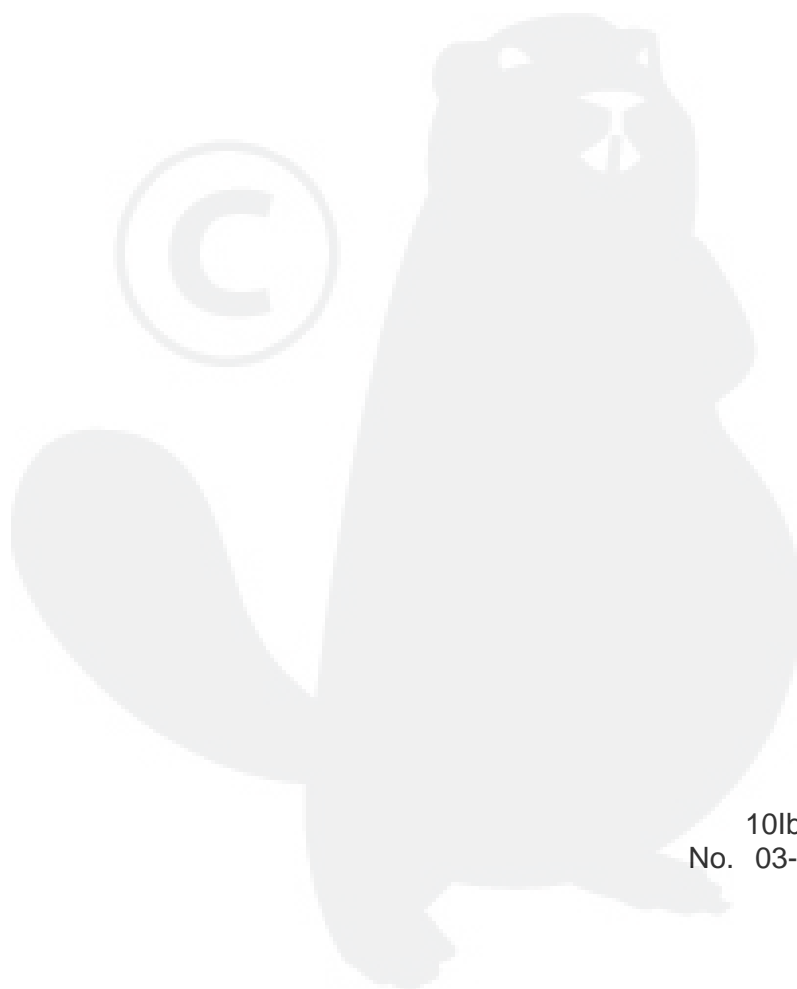
<b>Patrs Number</b>	<b>Key No.</b>	<b>Patrs Number</b>	<b>Key No.</b>	<b>Patrs Number</b>	<b>Key No.</b>
V202-000540	6 - 13	V555-000140	4 - 5		
V203-000370	2 - 16	V555-000150	5 - 10		
V203-001450	2 - 13	V580-000110	4 - 4		
V203-001470	5 - 36	V581-000280	7 - 38		
V203-001480	3 - 30	V592-000290	2 - 6		
V203-001490	3 - 5	V592-000330	2 - 2		
V204-000620	6 - 5	V608-000050	4 - 3		
V225-000150	2 - 8	V622-000040	2 - 10		
V252-000470	5 - 16	V622-000040	5 - 35		
V253-000610	5 - 11	V629-000000	2 - 11		
V253-000640	6 - 21	V629-000010	5 - 31		
V265-000200	5 - 23	V651-000790	5 - 14		
V265-000210	5 - 4	X490-000300	5 - 52		
V265-000220	6 - 7	X504-004180	6 - 29		
V266-000090	2 - 30	X504-004190	5 - 53		
V266-000090	2 - 32	X532-001130	5 - 54		
V303-000320	5 - 40	X532-001140	3 - 33		
V304-000270	6 - 4	X602-000150	9 - 2		
V307-000320	5 - 3	X605-000090	9 - 3		
V355-000460	2 - 25	X605-000100	9 - 4		
V356-000580	5 - 41	X705-000130	9 - 5		
V359-000200	1 - 6				
V376-001400	6 - 25				
V401-000330	3 - 26				
V401-000340	3 - 28				
V420-002770	2 - 26				
V420-002780	2 - 27				
V420-002790	3 - 39				
V420-002810	3 - 25				
V421-000070	3 - 29				
V450-001160	5 - 37				
V450-001170	6 - 24				
V451-000920	1 - 4				
V451-000930	5 - 8				
V452-000850	3 - 10				
V452-000860	5 - 32				
V452-000870	6 - 3				
V452-000880	6 - 19				
V470-001510	5 - 45				
V470-001520	3 - 18				
V470-001530	3 - 23				
V471-002800	7 - 33				
V475-005180	6 - 9				
V485-002030	2 - 21				
V490-000500	3 - 22				
V490-000500	5 - 47				
V495-001580	3 - 37				
V505-000140	2 - 3				
V508-000060	2 - 7				



# YAMABIKO CORPORATION

7-2 SUEHIROCHO 1-CHOME, OHME, TOKYO 198-8760, JAPAN  
PHONE: 81-428-32-6118. FAX: 81-428-32-6145.

**shindaiwa<sup>®</sup>**



10lb  
No. 03-079