

shindaiwa[®]

PARTS CATALOG

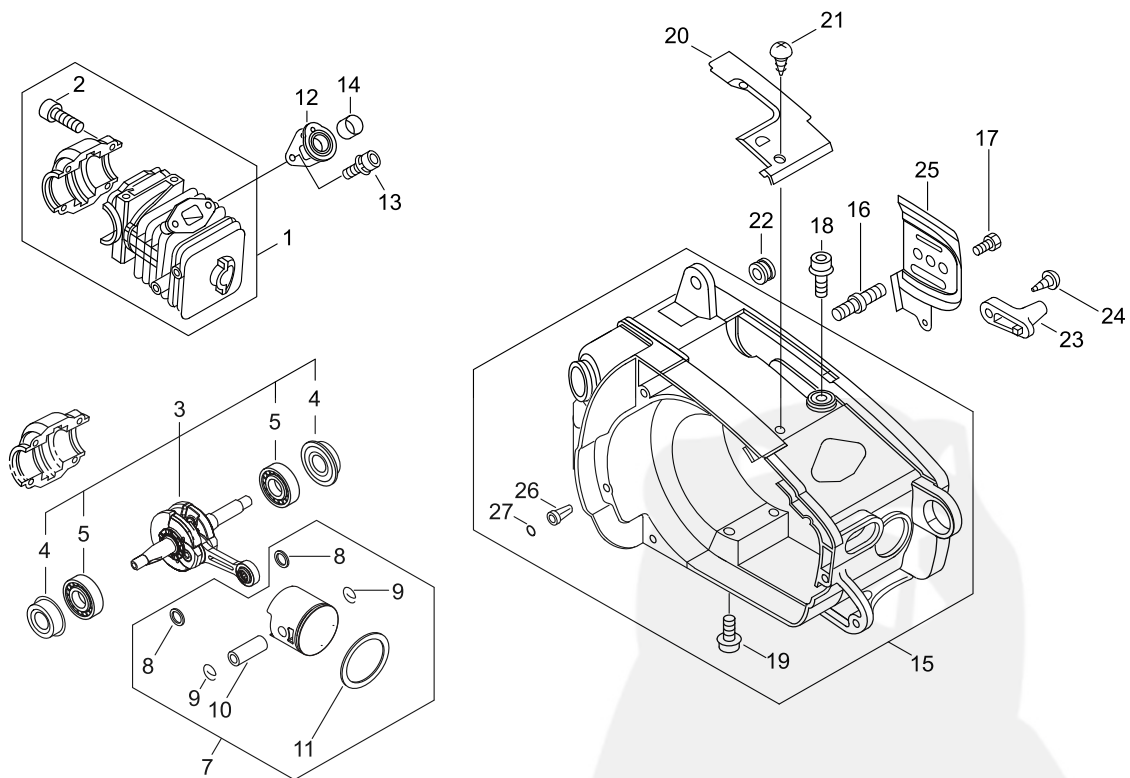
TOP HANDLE SAW 280TS(37)

37002051 -

CE

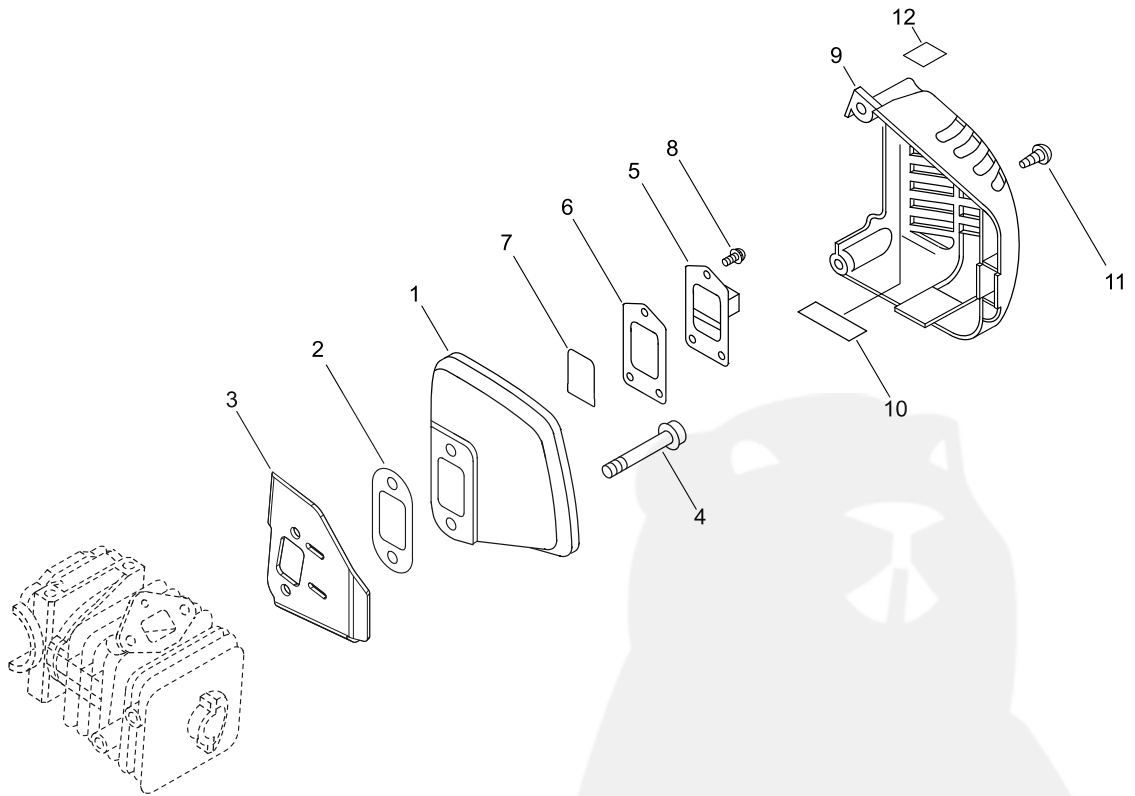
P016-001821-14Db

1. CYLINDER, CRANKCASE, PISTON



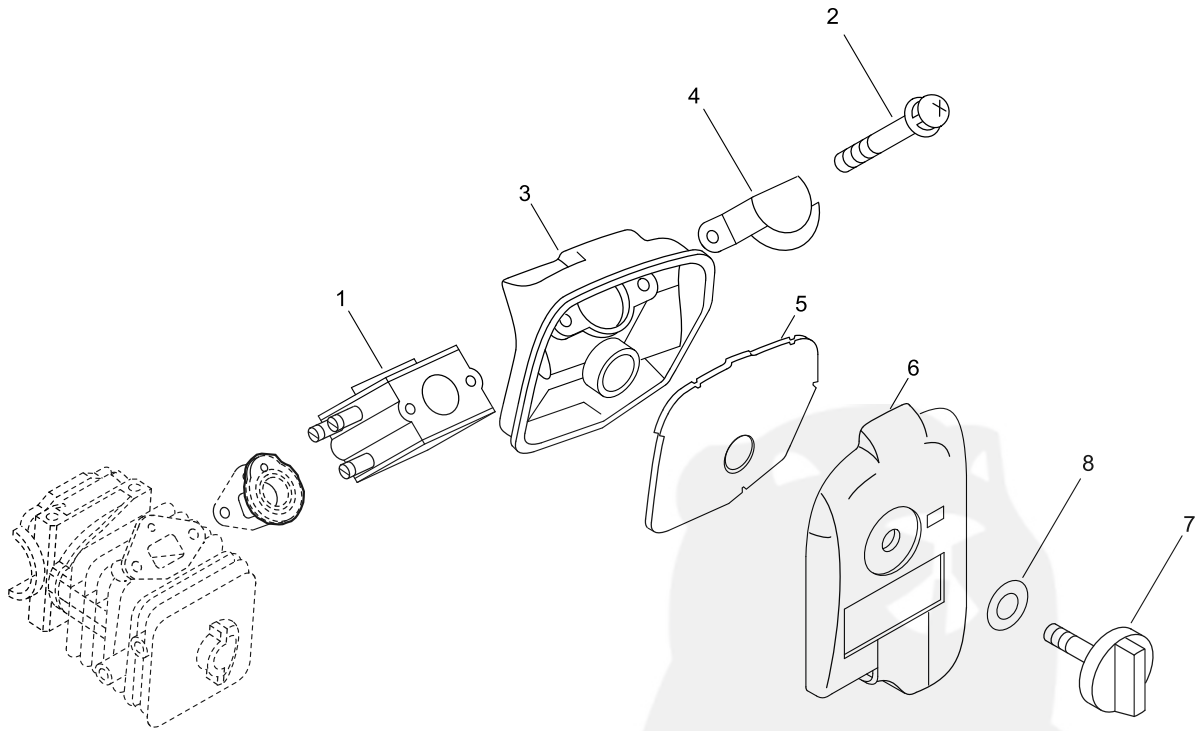
KEY	LV	PART NUMBER	Q'TY	DESCRIPTION	REMARKS	NOTE1	NOTE2
1		P021-044050	1	CYLINDER KIT	CS-271T		
2	+	900162-05022	4	BOLT, H.S. 5*22	5*22 W,SW		
3		P021-038072	1	CRANKSHAFT ASY			
4	+	V505-000001	2	SEAL,OIL	12*28*5.5		
5	+	900800-36001	2	BEARING, BALL 6001	6001/C3		
7		P021-044060	1	PISTON KIT	CS-271T		
8	+	100014-11520	2	SPACER, PISTON PIN			
9	+	100015-04630	2	CIRCLIP, PISTON PIN			
10	+	100013-22330	1	PIN, PISTON			
11	+	A101-000630	1	RING, PISTON			
12		A202-000001	1	BELLOWS,INTAKE			
13		900162-04012	2	BOLT, H.S. 4*12	4*12 W,SW		
14		V358-000021	1	COLLAR,14			
15		P021-003418	1	COVER ENGINE			
19	+	900106-05025	2	BOLT, H.S. 5*25	5*25		
26	+	436114-13930	1	VALVE, CHECK			
27	+	900724-00004	1	O-RING (S-4)	S-4		
16		V225-000031	1	BOLT,STUD 8	M8		
17		V202-000011	2	BOLT,4	4*12		
18		900106-05016	2	BOLT, H.S. 5*16	5*16		
20		A127-000041	1	COVER,DUST			
21		900253-04012	2	SCREW	4*12		
22		163911-30130	1	PLUG			
23		433026-35430	1	CATCHER, CHAIN			
24		900253-05020	1	SCREW 5*20	5*20		
25		C305-000023	1	PLATE,SPROCKET GUARD			

2. MUFFLER



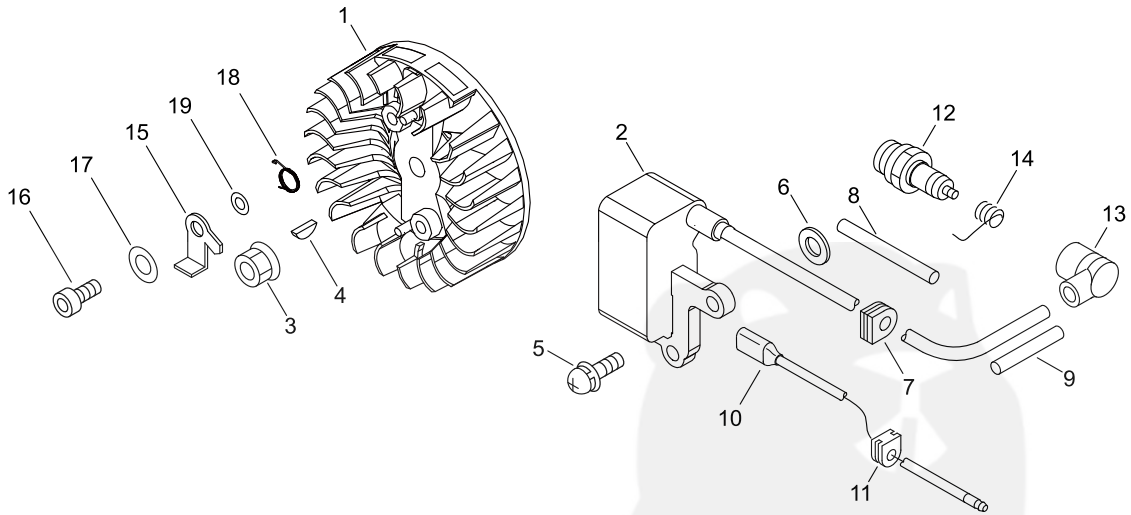
KEY	LV	PART NUMBER	Q'TY	DESCRIPTION	REMARKS	NOTE1	NOTE2
1		A300-001641	1	MUFFLER, EXHAUST			
2		V104-001860	1	GASKET, EXHAUST			
3		A312-000060	1	PLATE, EXHUST			
4		91107-05045	2	BOLT HSH FLANGE	M5*45		
5		A313-001970	1	GUIDE, EXHAUST	T0.6		
6		V104-001850	1	GASKET, EXHAUST			
7		A310-000420	1	SCREEN, ARRESTOR			
8		900242-04008	3	SCREW	4*8		
9		A320-001070	1	COVER, MUFFLER			
10		V341-000180	1	WASHER, SQUARE	54*14 T0.15		
11		900253-04016	2	SCREW 4*16	4*16		
12		X505-007710	1	LABEL, CAUTION			

3. AIR CLEANER



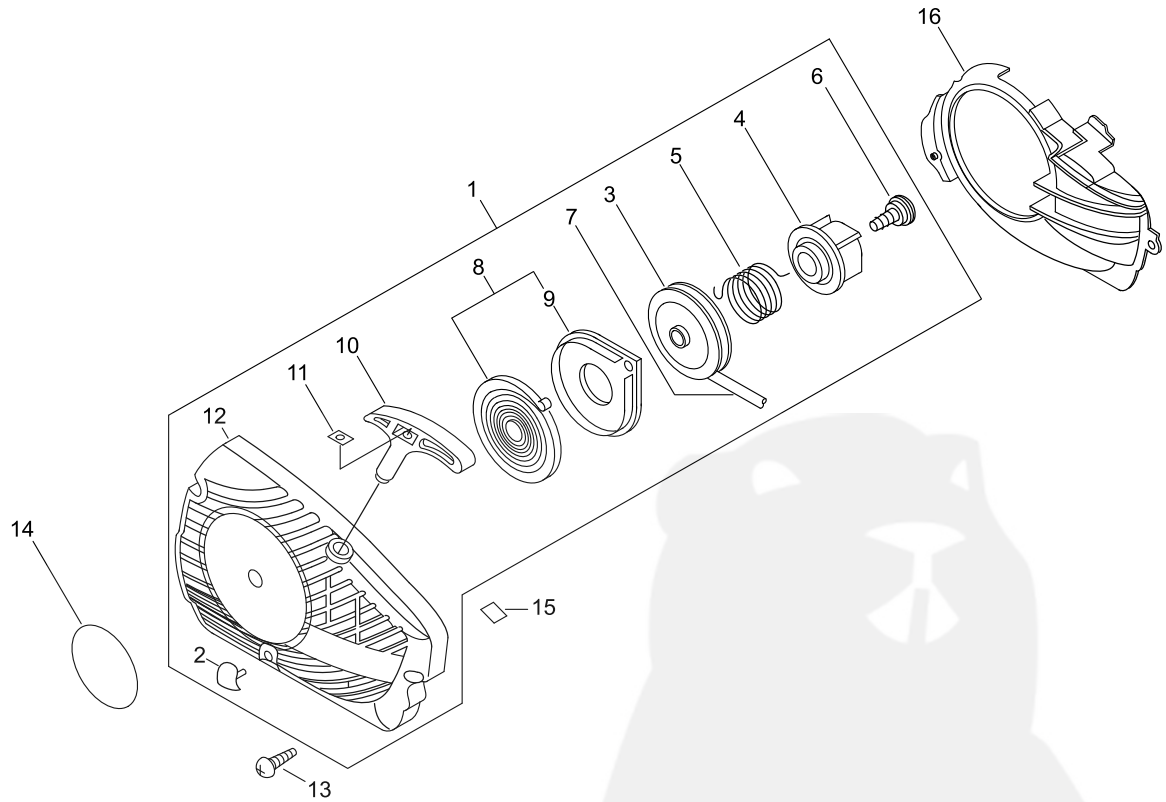
KEY	LV	PART NUMBER	Q'TY	DESCRIPTION	REMARKS	NOTE1	NOTE2
1		A021-004200	1	CARBURETOR,DIAPHRAGM	WT1091		
2		900238-05050	2	SCREW 5*50	5*50		
3		A225-000025	1	CASE,CLEANER			
4		A244-000000	1	PLATE,PREVENT			
5		A226-000051	1	ELEMENT,AIR FILTER			
6		A232-000241	1	LID,CLEANER			
7		A235-000090	1	KNOB,CLEANER LID			
8		131925-02310	1	CUSHION			

4. MAGNETO



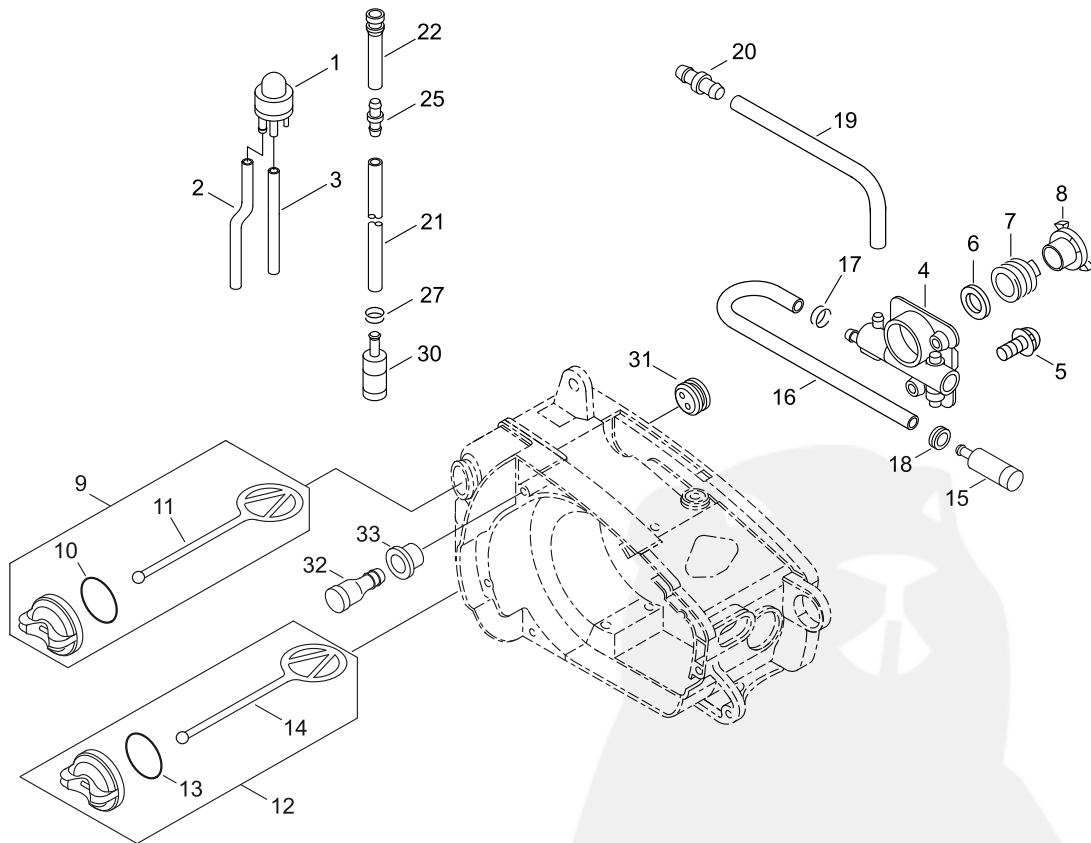
KEY	LV	PART NUMBER	Q'TY	DESCRIPTION	REMARKS	NOTE1	NOTE2
1		A409-001130	1	ROTOR, MAGNETO			
2		A411-001510	1	COIL, IGNITION			
3		900515-00008	1	NUT, FLANGE 8	8		
4		100142-12330	1	KEY, WOODRUFF			
5		900238-05018	2	SCREW 5*18	5*18		
6		150117-16430	2	SPACER			
7		156110-04920	1	BUSHING			
8		V475-001900	1	TUBE	7*8.6*30		
9		V475-003550	1	TUBE	HST-10 7*8.6*50		
10		V485-000140	1	LEAD			
11		156114-07320	1	GROMMET			
12		A425-000000	1	SPARKPLUG	BPMR8Y		
13		A427-000013	1	CAP, SPARK PLUG			
14		A426-000010	1	TERMINAL, SPARKPLUG			
15		A514-000020	2	PAWL			
16		V203-000080	2	BOLT, 5	5*14		
17		900603-00005	2	WASHER 5	5.5*12*0.8		
18		V452-000030	2	SPRING, TORSION			
19		177247-04630	2	SPACER, RATCHET	5.2*8*2.1		

5. RECOIL STARTER



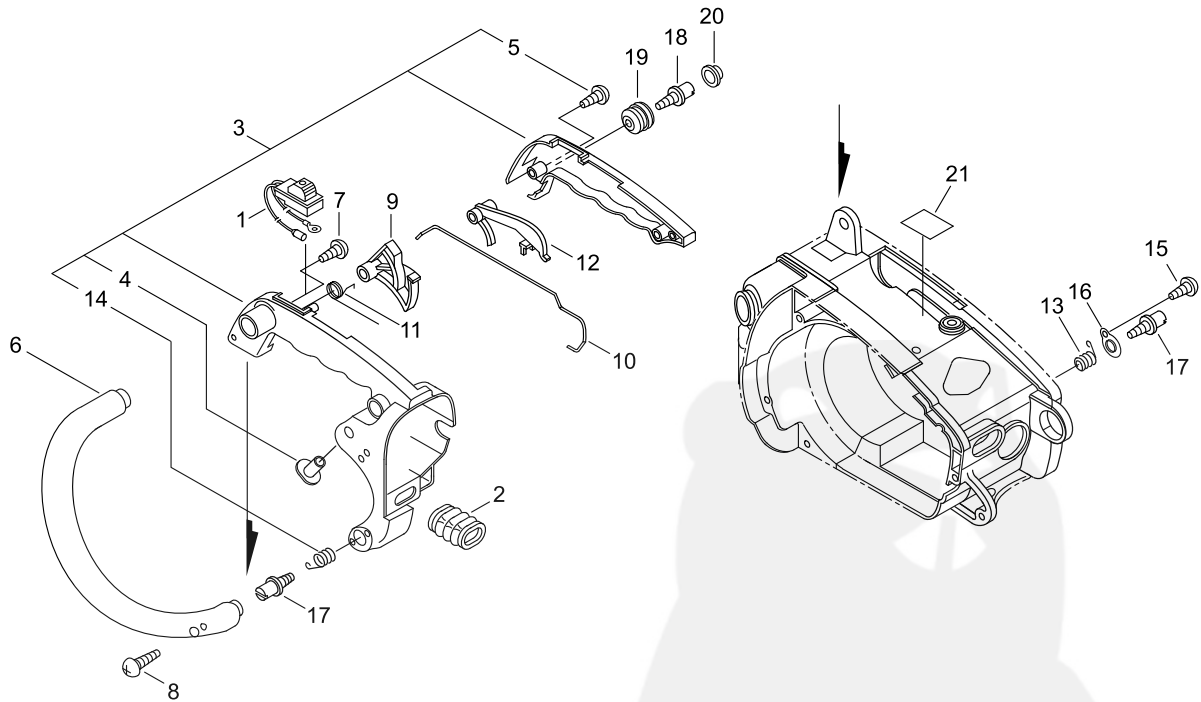
KEY	LV	PART NUMBER	Q'TY	DESCRIPTION	REMARKS	NOTE1	NOTE2
1		A051-002560	1	STARTER,RECOIL			
2	+	V162-000180	1	PLUG			
3	+	A506-000460	1	REEL,ROPE			
4	+	A507-000110	1	CATCHER,PAWL			
5	+	V452-001320	1	SPRING,TORSION			
6	+	177236-61830	1	SCREW			
7	+	P022-006220	1	ROPE			
8	+	P022-001330	1	SPRING KIT, REWIND			
9	++	P022-033280	1	SPRING CASE			
10	+	P022-001320	1	GRIP, STARTER			
11	+	177246-11120	1	CLIP, STARTER ROPE			
12	+	P022-037540	1	STARTER,RECOIL			
13		900256-04016	3	SCREW 4*16			
14		X503-012610	1	LABEL,MODEL	280TS		
15		X505-006921	1	LABEL,CAUTION	13000R/MIN		
16		A172-002040	1	COVER,FAN			

6. AUTO-OILER, FUEL PIPE



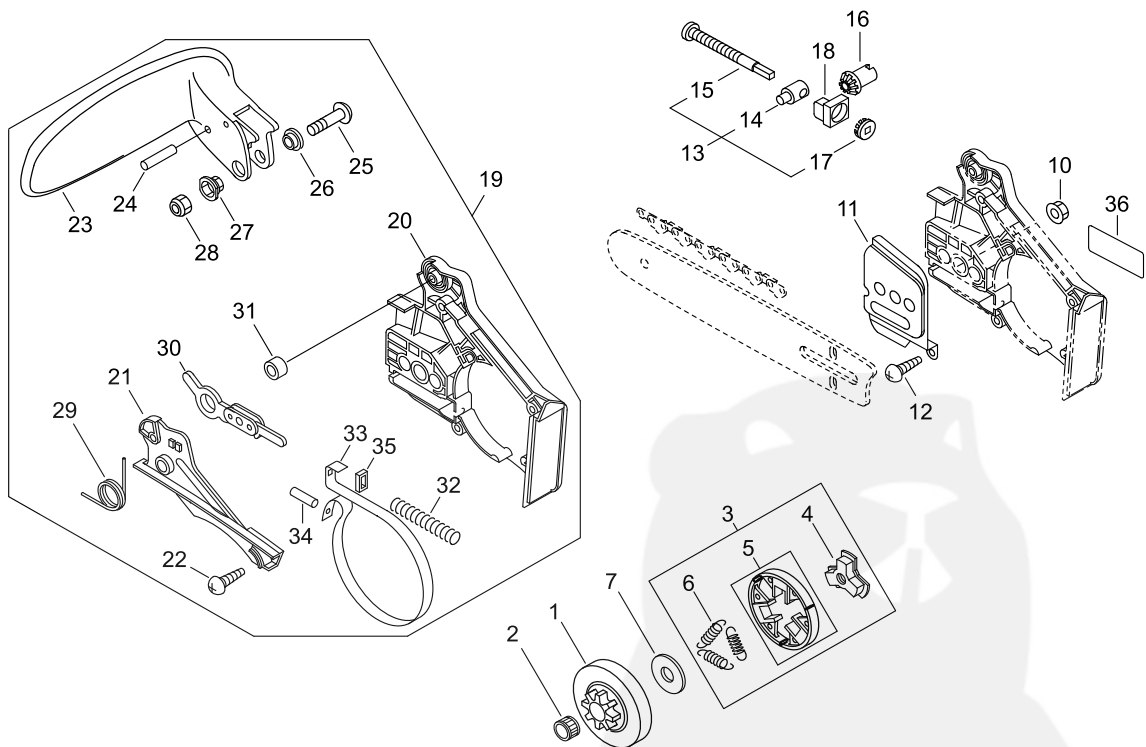
KEY	LV	PART NUMBER	Q'TY	DESCRIPTION	REMARKS	NOTE1	NOTE2
1		123181-39130	1	PUMP, PRIMER			
2		V471-001251	1	PIPE	2.4*5*258		
3		V471-001261	1	PIPE	2.4*5*153		
4		C022-000020	1	AUTO-OILER ASSEMBLY			
5		900238-04012	2	SCREW 4*12	4*12		
6		V308-000030	1	WASHER,CIRCULAR 11	10.5*17.4*1.8		
7		V652-000030	1	GEAR,WORM			
8		V356-000290	1	COLLAR,10			
9		P021-005601	1	FUEL CAP ASY			
10	+	900720-00018	1	O-RING 18	P-18		
11	+	A365-000050	1	CONNECTOR,CAP			
12		P021-005581	1	OIL CAP ASY			
13	+	900720-00018	1	O-RING 18	P-18		
14	+	A365-000050	1	CONNECTOR,CAP			
15		436205-02832	1	STRAINER, OIL			
16		132010-22130	1	PIPE, FUEL	3*6*150L NBR		
17		V490-001230	1	CLIP			
18		132115-01461	1	GROMMET			
19		132012-11960	1	PIPE 3* 6* 45	3*6*45 NBR		
20		V187-000010	1	NIPPLE			
21		V471-001230	1	PIPE	3*5*210 NBR		
22		V470-000321	1	PIPE	10*6*L32		
25		V186-000510	1	JOINT,PIPE			
27		V490-001240	1	CLIP			

7. HANDLE



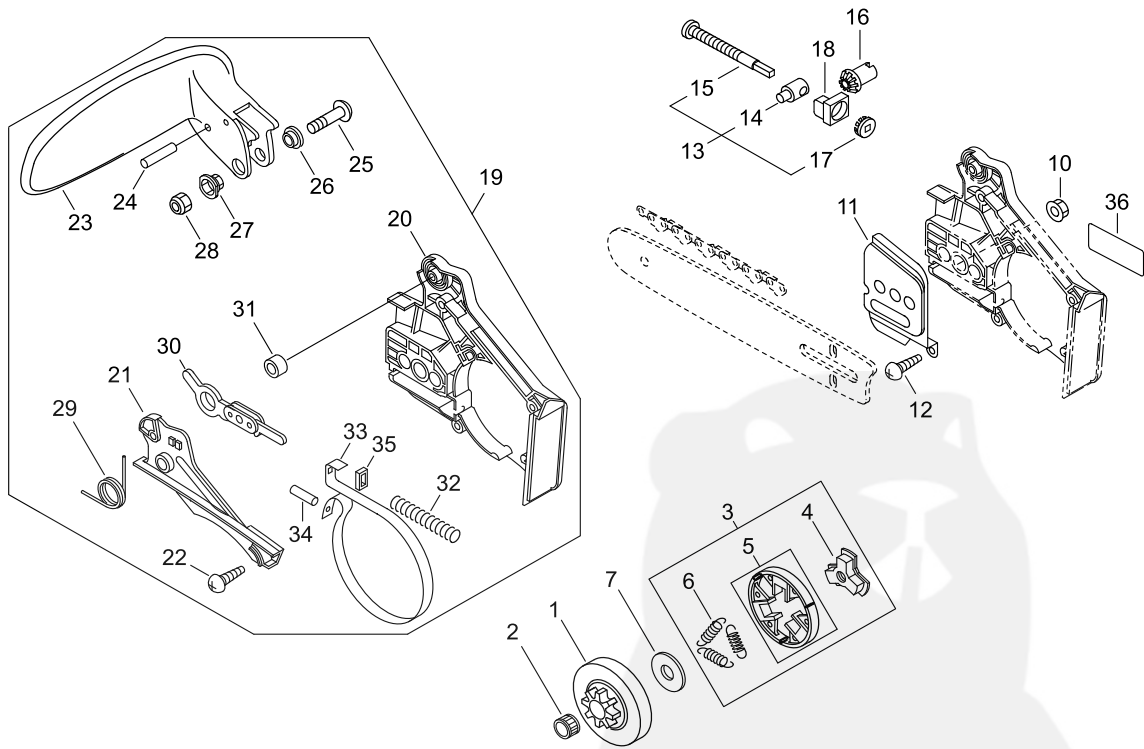
KEY	LV	PART NUMBER	Q'TY	DESCRIPTION	REMARKS	NOTE1	NOTE2
1		A440-000371	1	SWITCH,ON OFF			
2		A239-000000	1	PIPE,INTAKE			
3		P021-007355	1	HANDLE SET, REAR			
4	+	130020-33330	2	NUT			
5	+	900256-04016	4	SCREW 4*16			
14	+	V450-000340	1	SPRING,COMPRESSION	ES		
6		C400-000050	1	HANDLE,FRONT			
7		900253-05020	1	SCREW 5*20	5*20		
8		900256-04016	2	SCREW 4*16			
9		C450-000160	1	TRIGGER,THROTTLE			
10		C454-000051	1	ROD,THROTTLE			
11		V452-000010	1	SPRING,TORSION			
12		C460-000041	1	LOCKOUT,THROTTLE			
13		V450-000080	1	SPRING,COMPRESSION			
15		900253-04012	1	SCREW	4*12		
16		V150-003810	1	PLATE,EYE			
17		V202-000000	2	BOLT,4			
18		V202-000020	1	BOLT,4			
19		100921-39131	1	CUSHION			
20		100918-15130	1	CAP			
21		X505-002441	1	LABEL,CAUTION			

8. CLUTCH, SPROCKET, CHAIN BRAKE



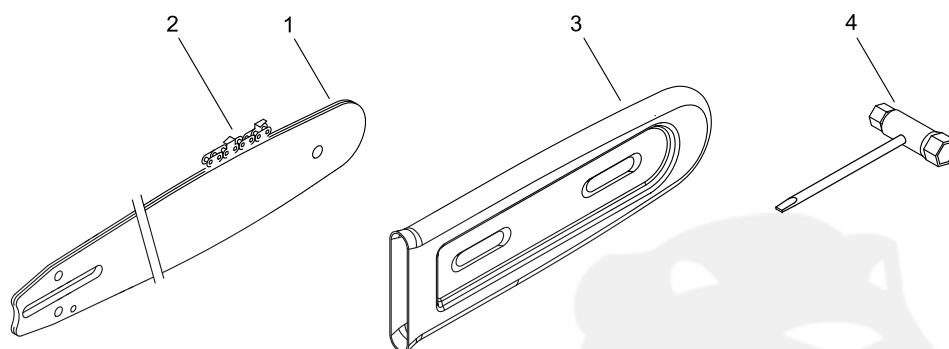
KEY	LV	PART NUMBER	Q'TY	DESCRIPTION	REMARKS	NOTE1	NOTE2
1		A556-000091	1	DRUM,CLUTCH	3/8A		
2		V555-000170	1	BEARING,NEEDLE 10	8E-KV10*13*12.8		
3		A056-000030	1	CLUTCH			
4	+	A552-000020	1	HUB,CLUTCH			
5	+	P021-001950	1	CLUTCH SHOE SET			
6	+	V451-000150	3	SPRING,TENSION			
7		A551-000010	1	PLATE,CLUTCH			
10		V265-000200	1	NUT			
11		C305-000031	1	PLATE,SPROCKET GUARD			
12		900253-04012	1	SCREW	4*12		
13		P021-000063	1	TENSIONER,CHAIN ASY			
14	+	C309-000030	1	TENSIONER,CHAIN			
15	+	V203-000021	1	BOLT,5			
17	+	V651-000011	1	GEAR,BEVEL			
16		V651-000001	1	GEAR,BEVEL			
18		V355-000800	1	COLLAR,8			
19		P021-038491	1	BRAKE,ASM CHAIN			
20	+	C300-000232	1	GUARD,SPROCKET			
21	+	C345-000094	1	COVER,BRAKE			
22	+	900253-04012	2	SCREW	4*12		
23	+	C320-000034	1	LEVER,BRAKE			
24	+	900330-30260	2	ROLLER 3*26	3*26		
25	+	91318-05032	1	SCREW	5*32		
26	+	433167-39130	1	SPACER			

8. CLUTCH, SPROCKET, CHAIN BRAKE



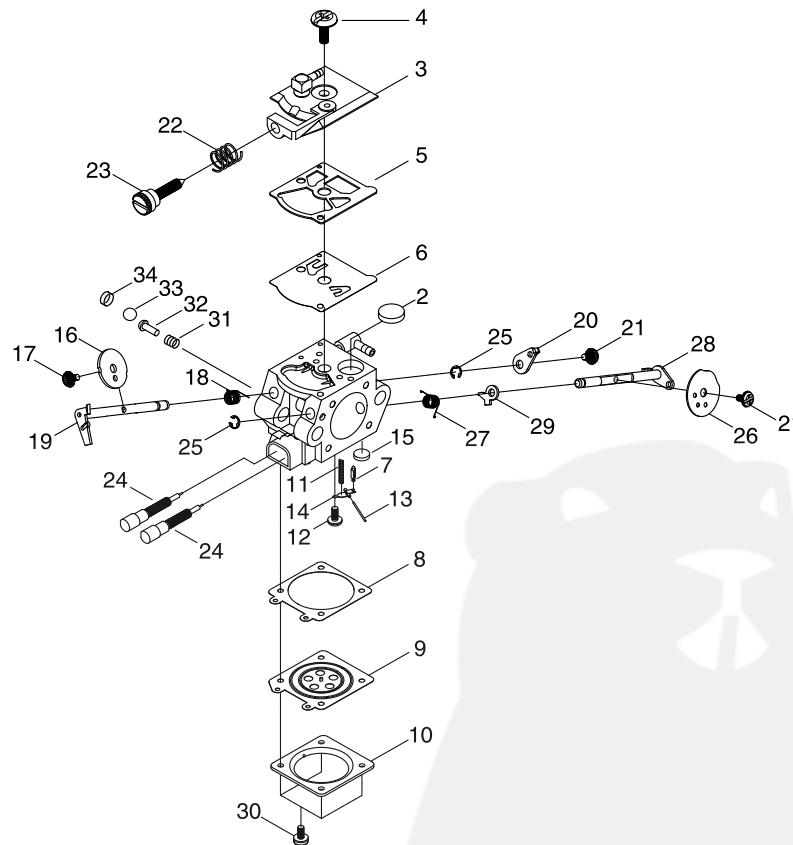
KEY	LV	PART NUMBER	Q'TY	DESCRIPTION	REMARKS	NOTE1	NOTE2
27	+	V353-000060	1	COLLAR,5			
28	+	900562-50005	1	LOCKNUT 5	5		
29	+	V452-000110	1	SPRING,TORSION			
30	+	C334-000060	1	CONNECTOR,BRAKE			
31	+	433116-35430	1	SPACER 8	8*12*9		
32	+	V450-000070	1	SPRING,COMPRESSION			
33	+	C328-000020	1	BAND,BRAKE			
34	+	93050-30098	1	ROLLER	F3*9.8		
35	+	V376-000450	1	SPACER			
36		X504-007920	1	LABEL,BRAND	280TS		

9. ACCESSORIES



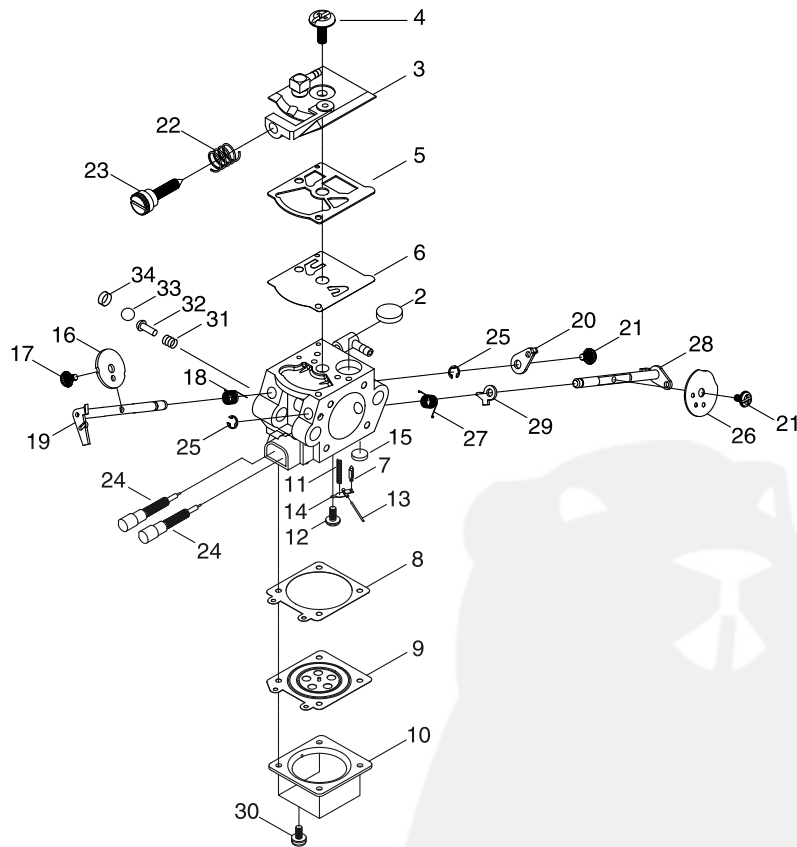
KEY	LV	PART NUMBER	Q'TY	DESCRIPTION	REMARKS	NOTE1	NOTE2
1		X121-000080	1	BAR, GUIDE 25			
2		X221-000100	1	CHAIN, SAW	91PX-40E		
3		X490-000540	1	SCABBARD, CHAIN			
4		X602-000080	1	TOOL, WRENCH	13*19 L180		

10. CARBURETOR



KEY	LV	PART NUMBER	Q'TY	DESCRIPTION	REMARKS	NOTE1	NOTE2
		A021-004200	1	CARBURETOR,DIAPHRAGM	WT1091		
2	+	P003-005040	1	SCREEN,INLET			
3	+	123124-24430	1	COVER, FUEL PUMP			
4	+	123110-03930	1	SCREW, PUMP COVER			
5	+	123125-15030	1	GASKET, FUEL PUMP			
6	+	123112-15030	1	DIAPHRAGM, FUEL PUMP			
7	+	123137-19830	1	VALVE, INLET NEEDLE			
8	+	123140-03930	1	GASKET, M. DIAPHRAGM			
9	+	P003-001850	1	DIAPHRAGM, METERING			
10	+	123142-03930	1	COVER, M. DIAPHRAGM			
11	+	123122-03660	1	SPRING, METER. LEVER			
12	+	123139-03930	1	SCREW, M. LEVER PIN			
13	+	123138-03930	1	PIN, METERING LEVER			
14	+	123123-03930	1	LEVER, METERING			
15	+	123146-10631	1	PLUG, WELCH			
16	+	123116-05960	1	VALVE, THROTTLE			
17	+	P003-002380	1	SCREW			
18	+	123113-37530	1	SPRING, THROTTLE RTN			
19	+	P003-005350	1	SHAFT ASSY, THROTTLE			
20	+	P003-000380	1	THROTTLE, LEVER			
21	+	123114-38830	2	SCREW			
22	+	123133-04260	1	SPRING, IDLE ADJUST			
23	+	123134-04260	1	SCREW, IDLE ADJUST			
24	+	P003-004190	2	NEEDLE			
25	+	123127-15030	2	RING			

10. CARBURETOR



KEY	LV	PART NUMBER	Q'TY	DESCRIPTION	REMARKS	NOTE1	NOTE2
26	+	P003-000410	1	VALVE CHOKE			
27	+	P003-004780	1	SPRING			
28	+	P003-005360	1	SHAFT-CHOKE			
29	+	P003-001510	1	LEVER-FAST IDLE			
30	+	123130-02960	4	SCREW			
31	+	123186-09660	1	SPRING, START VALVE			
32	+	123185-09660	1	PISTON ASSY			
33	+	123136-09660	1	BALL			
34	+	P003-005090	1	PLUG CUP			

11. GUIDE BAR, CHAIN

Pitch ピッチ	Gauge ゲージ	Length 長さ	Guide Bar ガイドバー		Saw Chain ソーチェーン		Hard Nose ハード ノーズ	Sprocket Nose スプロケット ノーズ
			Key №	Type 形式	Key №	Type 形式		
3/8 9.53	0,050 1.27	25	A1	25RCSDKE	A2	91PX-40E		●
3/8 9.53	0,050 1.27	30	B1	30RC50M-3/8	B2	91PX-47E		●
1/4 6.35	0,050 1.27	25	C1	25CSDKE	C2	25AP-60E	●	
1/4 6.35	0,050 1.27	25	D1	25LC50S-1/4CSD	D2	25AP-60E	●	

KEY	LV	PART NUMBER	Q'TY	DESCRIPTION	REMARKS	NOTE1	NOTE2
A1		X121-000080	1	BAR,GUIDE 25			
A2		X221-000100	1	CHAIN,SAW	91PX-40E		
B1		X122-000171	1	BAR,GUIDE 30	30RCSDKE		
B2		X222-000140	1	CHAIN,SAW	91PX-47E		
C1		X101-000090	1	BAR,GUIDE 25	25CSDKE		
C2		431610-10030	1	CHAIN, SAW	25AP-60E		
D1		X101-000180	1	BAR,GUIDE 25	25LC50S-1/4CSD		
D2		431610-10030	1	CHAIN, SAW	25AP-60E		

Index

Patrs Number	Key No.	Patrs Number	Key No.	Patrs Number	Key No.
100013-22330	1 - 10	436114-13930	1 - 26	A320-001070	2 - 9
100014-11520	1 - 8	436205-02832	6 - 15	A365-000050	6 - 11
100015-04630	1 - 9	900106-05016	1 - 18	A365-000050	6 - 14
100142-12330	4 - 4	900106-05025	1 - 19	A409-001130	4 - 1
100918-15130	7 - 20	900162-04012	1 - 13	A411-001510	4 - 2
100921-39131	7 - 19	900162-05022	1 - 2	A425-000000	4 - 12
123110-03930	10 - 4	900238-04012	6 - 5	A426-000010	4 - 14
123112-15030	10 - 6	900238-05018	4 - 5	A427-000013	4 - 13
123113-37530	10 - 18	900238-05050	3 - 2	A440-000371	7 - 1
123114-38830	10 - 21	900242-04008	2 - 8	A506-000460	5 - 3
123116-05960	10 - 16	900253-04012	1 - 21	A507-000110	5 - 4
123122-03660	10 - 11	900253-04012	7 - 15	A514-000020	4 - 15
123123-03930	10 - 14	900253-04012	8 - 12	A551-000010	8 - 7
123124-24430	10 - 3	900253-04012	8 - 22	A552-000020	8 - 4
123125-15030	10 - 5	900253-04016	2 - 11	A556-000091	8 - 1
123127-15030	10 - 25	900253-05020	1 - 24	C022-000020	6 - 4
123130-02960	10 - 30	900253-05020	7 - 7	C300-000232	8 - 20
123133-04260	10 - 22	900256-04016	5 - 13	C305-000023	1 - 25
123134-04260	10 - 23	900256-04016	7 - 5	C305-000031	8 - 11
123136-09660	10 - 33	900256-04016	7 - 8	C309-000030	8 - 14
123137-19830	10 - 7	900330-30260	8 - 24	C320-000034	8 - 23
123138-03930	10 - 13	900515-00008	4 - 3	C328-000020	8 - 33
123139-03930	10 - 12	900562-50005	8 - 28	C334-000060	8 - 30
123140-03930	10 - 8	900603-00005	4 - 17	C345-000094	8 - 21
123142-03930	10 - 10	900720-00018	6 - 10	C400-000050	7 - 6
123146-10631	10 - 15	900720-00018	6 - 13	C450-000160	7 - 9
123181-39130	6 - 1	900724-00004	1 - 27	C454-000051	7 - 10
123185-09660	10 - 32	900800-36001	1 - 5	C460-000041	7 - 12
123186-09660	10 - 31	91107-05045	2 - 4	P003-000380	10 - 20
130020-33330	7 - 4	91318-05032	8 - 25	P003-000410	10 - 26
131205-14931	6 - 30	93050-30098	8 - 34	P003-001510	10 - 29
131300-56431	6 - 32	A021-004200	3 - 1	P003-001850	10 - 9
131925-02310	3 - 8	A021-004200	10 -	P003-002380	10 - 17
132010-22130	6 - 16	A051-002560	5 - 1	P003-004190	10 - 24
132012-11960	6 - 19	A056-000030	8 - 3	P003-004780	10 - 27
132115-01461	6 - 18	A101-000630	1 - 11	P003-005040	10 - 2
132115-44330	6 - 31	A127-000041	1 - 20	P003-005090	10 - 34
150117-16430	4 - 6	A172-002040	5 - 16	P003-005350	10 - 19
156110-04920	4 - 7	A202-000001	1 - 12	P003-005360	10 - 28
156114-07320	4 - 11	A225-000025	3 - 3	P021-000063	8 - 13
163911-30130	1 - 22	A226-000051	3 - 5	P021-001950	8 - 5
177236-61830	5 - 6	A232-000241	3 - 6	P021-003418	1 - 15
177246-11120	5 - 11	A235-000090	3 - 7	P021-005581	6 - 12
177247-04630	4 - 19	A239-000000	7 - 2	P021-005601	6 - 9
431610-10030	11 - C2	A244-000000	3 - 4	P021-007355	7 - 3
431610-10030	11 - D2	A300-001641	2 - 1	P021-038072	1 - 3
433026-35430	1 - 23	A310-000420	2 - 7	P021-038491	8 - 19
433116-35430	8 - 31	A312-000060	2 - 3	P021-044050	1 - 1
433167-39130	8 - 26	A313-001970	2 - 5	P021-044060	1 - 7

Index

Patrs Number	Key No.	Patrs Number	Key No.	Patrs Number	Key No.
P022-001320	5 - 10	X101-000180	11 - D1		
P022-001330	5 - 8	X121-000080	9 - 1		
P022-006220	5 - 7	X121-000080	11 - A1		
P022-033280	5 - 9	X122-000171	11 - B1		
P022-037540	5 - 12	X221-000100	9 - 2		
V104-001850	2 - 6	X221-000100	11 - A2		
V104-001860	2 - 2	X222-000140	11 - B2		
V137-000000	6 - 33	X490-000540	9 - 3		
V150-003810	7 - 16	X503-012610	5 - 14		
V162-000180	5 - 2	X504-007920	8 - 36		
V186-000510	6 - 25	X505-002441	7 - 21		
V187-000010	6 - 20	X505-006921	5 - 15		
V202-000000	7 - 17	X505-007710	2 - 12		
V202-000011	1 - 17	X602-000080	9 - 4		
V202-000020	7 - 18				
V203-000021	8 - 15				
V203-000080	4 - 16				
V225-000031	1 - 16				
V265-000200	8 - 10				
V308-000030	6 - 6				
V341-000180	2 - 10				
V353-000060	8 - 27				
V355-000800	8 - 18				
V356-000290	6 - 8				
V358-000021	1 - 14				
V376-000450	8 - 35				
V450-000070	8 - 32				
V450-000080	7 - 13				
V450-000340	7 - 14				
V451-000150	8 - 6				
V452-000010	7 - 11				
V452-000030	4 - 18				
V452-000110	8 - 29				
V452-001320	5 - 5				
V470-000321	6 - 22				
V471-001230	6 - 21				
V471-001251	6 - 2				
V471-001261	6 - 3				
V475-001900	4 - 8				
V475-003550	4 - 9				
V485-000140	4 - 10				
V490-001230	6 - 17				
V490-001240	6 - 27				
V505-000001	1 - 4				
V555-000170	8 - 2				
V651-000001	8 - 16				
V651-000011	8 - 17				
V652-000030	6 - 7				
X101-000090	11 - C1				

YAMABIKO CORPORATION

7-2 SUEHIROCHO 1-CHOME, OHME, TOKYO 198-8760, JAPAN
PHONE: 81-428-32-6118. FAX: 81-428-32-6145.



shindaiwa[®]

14Db
No. 06-092