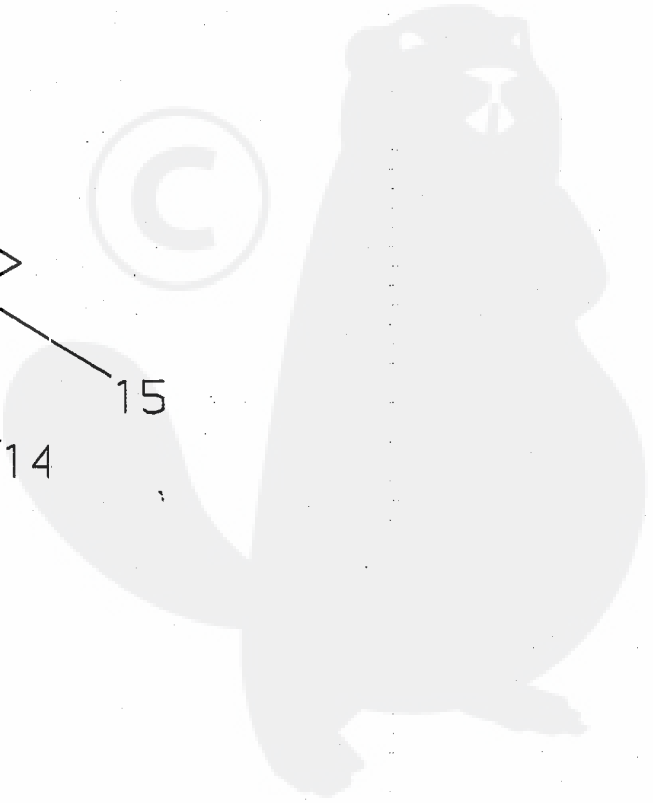
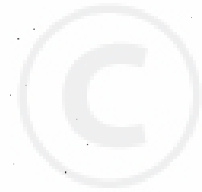
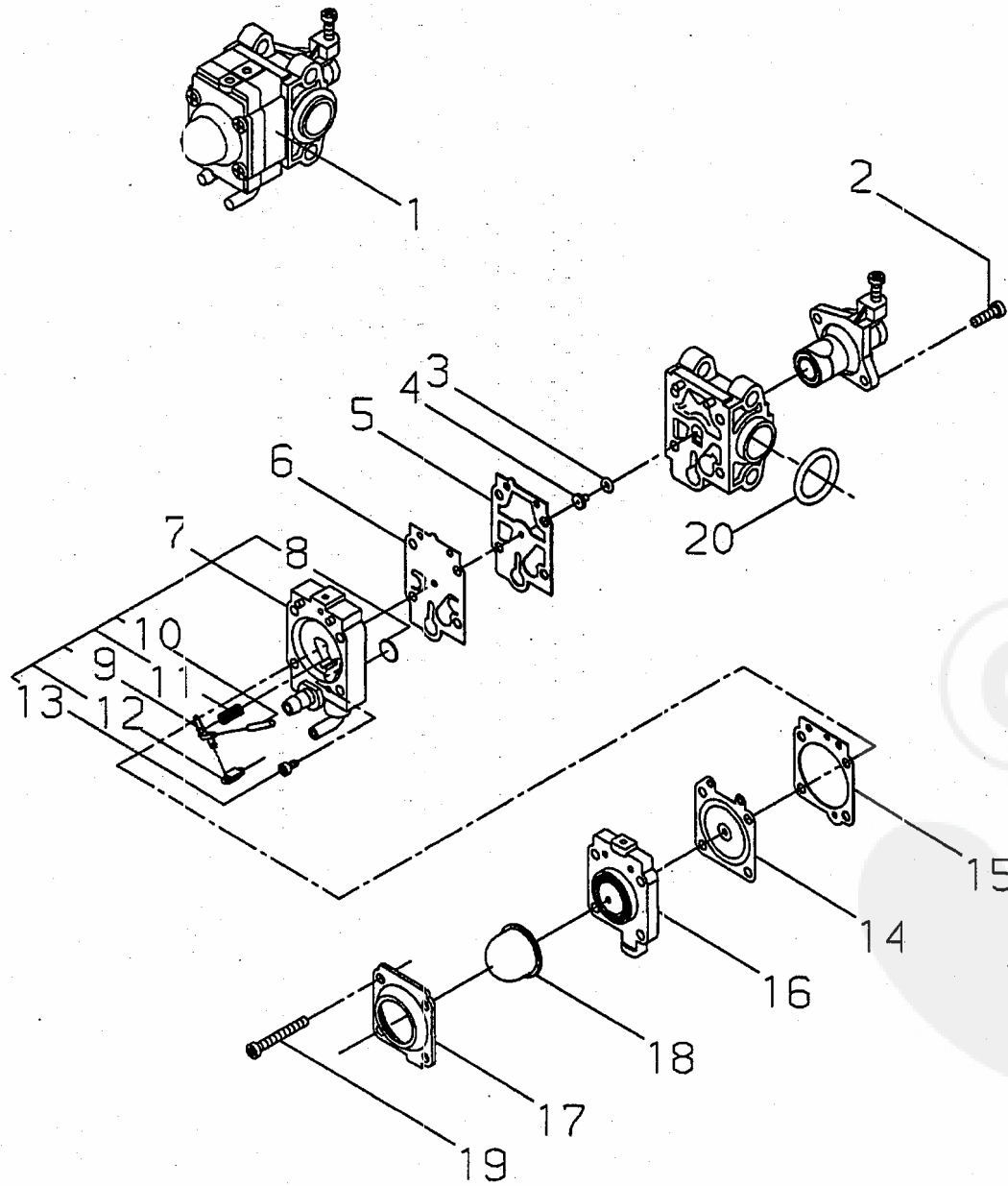


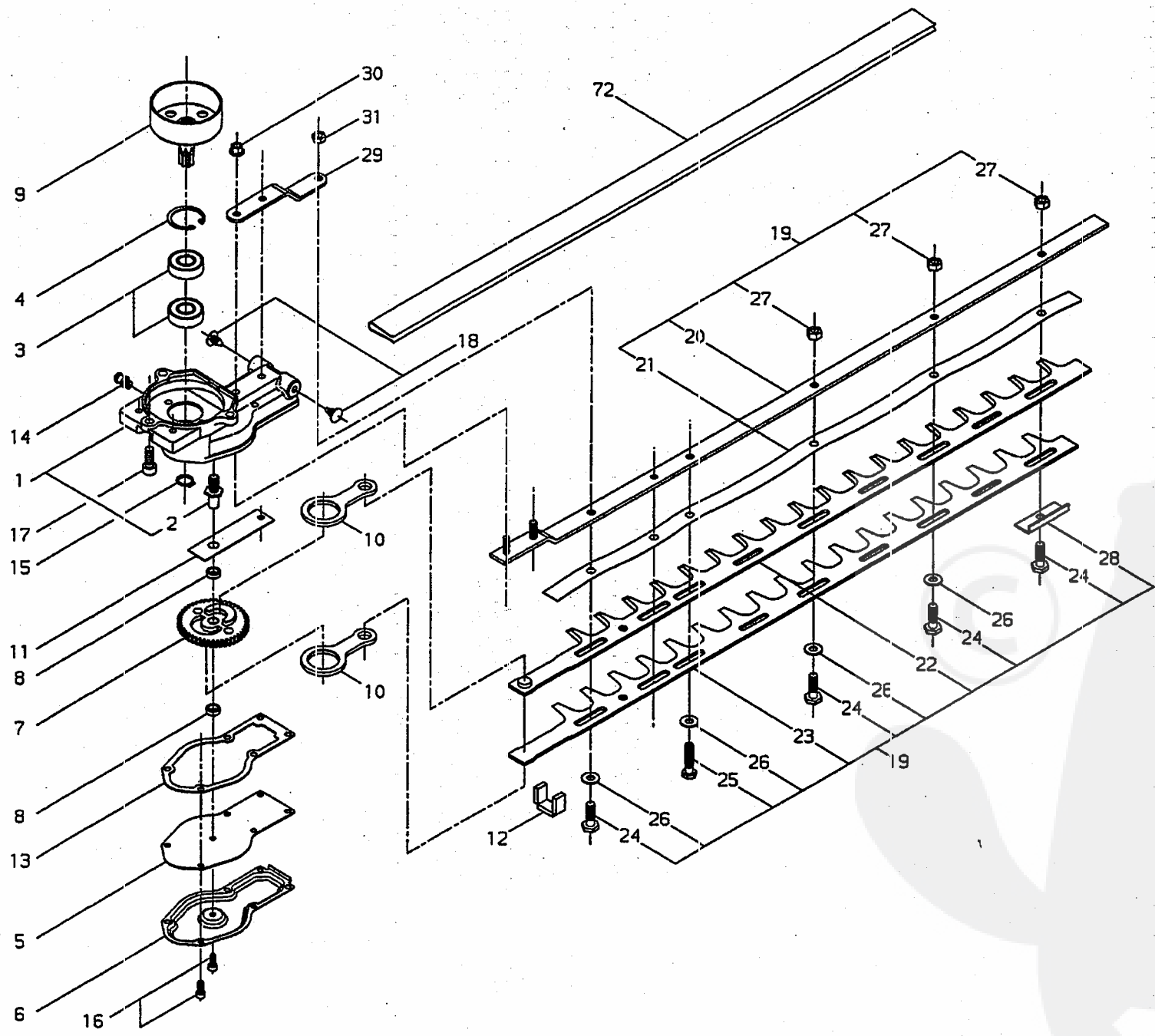
PRICE: (¥)

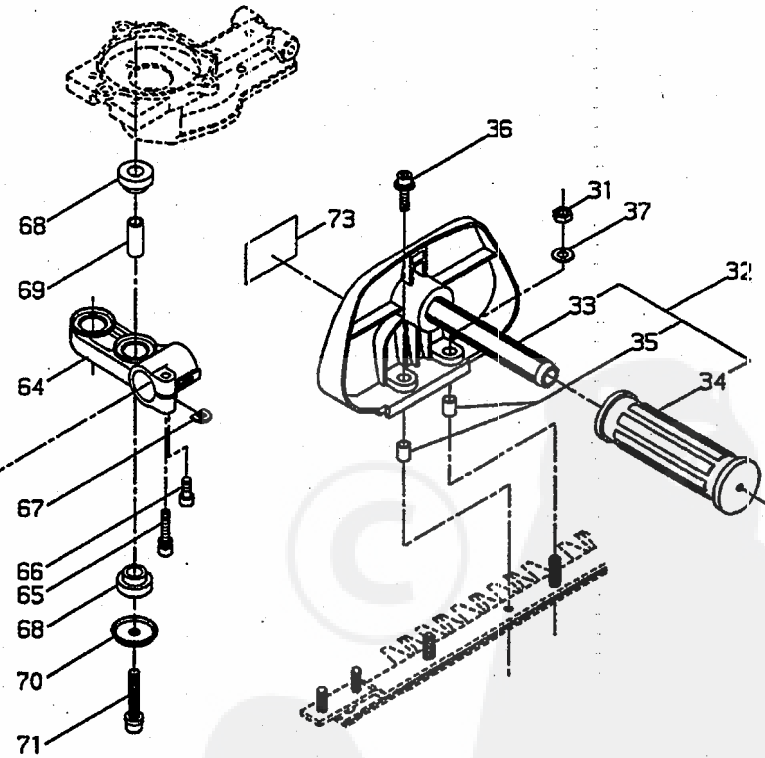
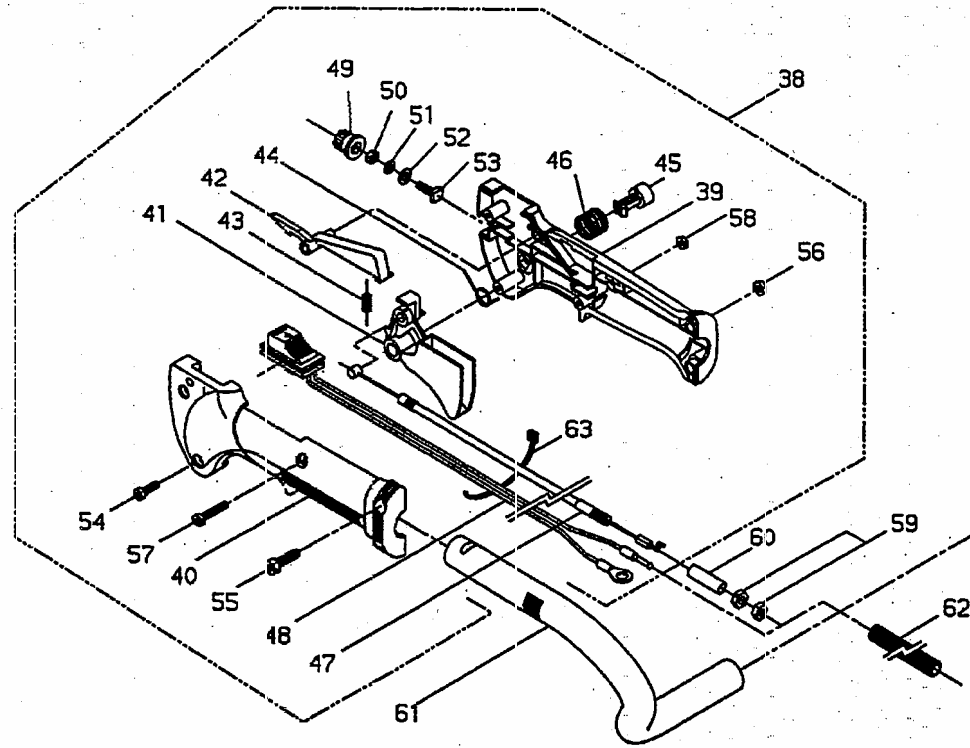
Ref. No	Part No.	Part Name	Qty	Unit Price	Remarks
1- 1	20142-12110	CYLINDER	1		
2	20870-12120	GASKET	1		
3	11022-05250	BOLT SPW	4		
4	20140-12210	INSULATOR	1		
5	20140-12220	GASKET	1		
6	20011-12260	NUT	2		
7	20142-15110	MUFFLER	1		
8	68120-15210	GASKET	1		
9	01020-05400	BOLT	2		
10	01610-05080	WASHER	4		
11	20870-21100	CRANK CASE PTO COMP	1		
12	12900-60010	• BEARING	1		
13	22150-21250	• OIL SEAL	1		
14	20870-21301	CRANK CASE M COMP	1		
15	12900-60010	• BEARING	1		
16	20000-21211	• OIL SEAL	1		
17	12492-40080	• ROLLER	2		
18	01020-05250	BOLT	3		
19	68120-31010	FAN COVER ASSY	1		
20	68120-31110	• FAN COVER	1		
21	70030-75120	• REEL	1		
22	70030-75130	• RECOIL SPRING	1		
23	70030-75140	• WASHER	1		
24	20035-75170	• SCREW	1		
25	70030-75160	• ROPE	1		
26	20010-75190	• STARTER KNOB	1		
27	20010-75210	• STOPPER	1		
28	11060-05202	BOLT ADHESIVE	7		
29	68120-32110	CYLINDER COVER	1		
30	20011-72120	GROMMET	1		
31	11022-06160	BOLT SPW	1		
32	11060-04123	BOLT ADHESIVE	2		
33	20142-41110	PISTON	1		
34	20142-41210	PISTON RING	1		
35	20142-41310	PISTON PIN	1		
36	70030-41320	SNAP RING	2		
37	20016-41330	NEEDLE BEARING	1		
38	20016-41340	THRUST WASHER	2		

PRICE: (¥)

Ref. No	Part No.	Part Name	Q'ty	Unit Price	Remarks
1- 39	68120-42010	CRANK SHAFT	1		
40	68120-51020	CLUTCH SHOE SUB ASSY	1		
41	20035-51111	• CLUTCH SHOE	2		
42	20035-51221	• CLUTCH SPRING	1		
43	20142-51210	• BOLT	2		
44	20087-51231	• SPRING PLATE	2		
45	22100-71430	• WASHER	2		
46	20870-51210	CLUTCH BOSS	1		
47	20870-51220	BOLT	1		
48	22100-71430	WASHER	1		
49	20870-71100	ROTOR SUB ASSY	1		
50	20870-71110	• ROTOR	1		
51	20870-71120	• RATCHET	1		
52	20870-71130	• COIL SPRING	1		
53	68120-71020	COIL ASSY	1		
54	20016-71640	• CORD	1		
55	22102-72220	PLUG CAP	1		
56	20000-72230	SPRING SPARK PLUG	1		
57	14063-08005	INS TUBE	1		
58	68120-71320	INSULATOR	2		
59	11024-04261	BOLT SLPW	2		
60	02403-03100	KEY	1		
61	20035-71220	NUT	1		
62	70064-72111	TUBE	1		
63	13000-13406	SPARK PLUG BMR6A	1		
64	20140-81700	CLEANER BODY SUB ASSY	1		
65	20140-81720	• CHOKE PLATE	1		
66	20140-81730	• CHOKE LEVER	1		
67	20140-82210	• FILTER	1		
68	20140-81790	• CLEANER COVER	1		
69	20140-81810	SCREW	1		
70	20018-81721	BACK PLATE	1		
71	19404-00008	LABEL CHOKE	1		
72	68120-82310	GASKET	1		
73	68120-81310	CABLE HOLDER	1		
74	11203-05658	SCREW PM	2		
75	68122-85010	FUEL TANK ASSY	1		
76	68120-85110	• FUEL TANK	1		







PRICE: (¥)

Ref. No	Part No.	Part Name	Q'ty	Unit Price	Remarks
4- 32	20870-64103	FRONT HANDLE COMP	1		
33	20870-64113	• FRONT HANDLE	1		
34	20870-64121	• GRIP	1		
35	17901-06100	• COLLAR	2		
36	11060-05202	BOLT ADHESIVE	1		
37	01613-06100	WASHER	1		
38	38122-65011	REAR HANDLE ASSY	1		
39	70871-65110	• BODY RIGHT	1		
40	70871-65120	• BODY LEFT	1		
41	70871-65130	• LEVER	1		
42	70871-65140	• LOCK LEVER	1		
43	70871-65150	• COIL SPRING	1		
44	70871-65160	• COIL SPRING	1		
45	70871-65170	• BUTTON	1		
46	70871-65180	• COIL SPRING	1		
47	38122-65311	• THROTTLE CABLE	1		
48	38122-65330	• SWITCH COMP	1		
49	20870-65110	• KNOB	1		
50	20870-65120	• NUT	1		
51	20870-65130	• WASHER	1		
52	20870-65140	• WASHER	1		
53	20870-65150	• BOLT	1		
54	70871-65310	• SCREW TAPPING	3		
55	70871-65320	• SCREW PM	2		
56	01501-05030	• NUT	2		
57	70871-65331	• SCREW	1		
58	70871-65340	• NUT	1		
59	01501-06041	NUT	2		
60	38122-65320	PIPE	1		
61	20870-65311	PIPE	1		
62	20019-83140	TUBE	1		
63	15210-12305	BAND	1		
64	20870-65412	HANDLE STAY	1		
65	11023-05250	BOLT SW	1		
66	01020-05120	BOLT	1		
67	22000-13420	SHIM	1		
68	20870-65420	CUSHION	4		
69	15401-10200	COLLAR	2		

